

INVITATION FOR BID
CONSTRUCTION
NO. 22-R080011JH
PUBLIC WORKS WASTEWATER
TREATMENT PLANT (WTTP)
OFFICE BUILDING GENERATOR
OCTOBER 18, 2022

Manatee County BCC
Procurement Division
1112 Manatee Avenue West Ste 803
Bradenton, FL 34205
purchasing@mymanatee.org



ADVERTISEMENT

**INVITATION FOR BID CONSTRUCTION NO. 22-R080011JH
PUBLIC WORKS WTPP OFFICE BUILDING GENERATOR**

Manatee County, a political subdivision of the State of Florida (hereinafter referred to as County), will receive sealed bids from individuals, corporations, partnerships, and other legal entities authorized to do business in the State of Florida, to provide Public Works WTPP Office Building Generator, as specified in this Invitation for Bid Construction to include the purchase and installation of a backup generator at the North River Waste Water Treatment Plant.

DATE, TIME AND PLACE DUE:

The Due Date and Time for submission of Bids in response to this Invitation for Bid Construction (IFBC) is **November 29, 2022 at 11:00 A.M. ET.** Bids must be delivered to the following location: Manatee County Administration Building, 1112 Manatee Ave. W., Suite 803, Bradenton, FL 34205 prior to the Due Date and Time.

SOLICITATION INFORMATION CONFERENCE:

There will not be an Informational Conference conducted for this solicitation.

A non-mandatory site visit will be held at 10:00 A.M. on October 27, 2022 at the Manatee County Wastewater Treatment Plant, 8500 69th Street East, Palmetto, Florida 34221. Attendance to the non-mandatory site visit is not required, but strongly encouraged.

DEADLINE FOR QUESTIONS AND CLARIFICATION REQUESTS:

The deadline to submit all questions, inquiries, or requests concerning interpretation, clarification or additional information pertaining to this Invitation for Bid Construction to the Manatee County Procurement Division is November 03, 2022. Questions and inquiries should be submitted via email to the Designated Procurement Contact shown below.

Important: A prohibition of lobbying is in place. Review Section A.13 carefully to avoid violation and possible sanctions.

DESIGNATED PROCUREMENT CONTACT: Jeb Hayter, Procurement Agent
(941) 749-3055, Fax (941) 749-3034
Email: jeb.hayter@mymanatee.org
Manatee County Financial Management Department
Procurement Division

AUTHORIZED FOR RELEASE: _____

Table of Contents

Section A, Information to Bidders

Section B, Bid Forms to be completed and returned with Bid

- Appendix A, Minimum Qualifications
- Appendix B, Bidder's Questionnaire
- Appendix C, Environmental Crimes Certification
- Appendix D, Florida Trench Safety Act
- Appendix E, ePayables Application
- Appendix F, Scrutinized Company Certification
- Appendix G, Hold Harmless
- Appendix H, Insurance Statement
- Appendix I, Acknowledgement of Addenda
- Appendix J, Affidavit of No Conflict
- Appendix K, Bid Pricing Form

Section C, Bid Attachments

- Bid Attachment 1- Insurance and Bond Requirements
- Bid Attachment 2 -Technical Specifications

Section D, Sample Construction Agreement with General Conditions of the Construction Agreement and Agreement Exhibits

SECTION A, INFORMATION FOR BIDDERS

To receive consideration, entities who submit a response to this Invitation for Bid Construction (Bidders) must meet the minimum qualification requirements and comply with the following instructions. Bid responses (Bids) will be accepted from single business entities, joint ventures, partnerships or corporations.

A.01 BID DUE DATE

The Due Date and Time for submission of Bids in response to this Invitation for Bid Construction (IFBC) is **November 29, 2022 at 11:00 A.M. ET**. Bids must be delivered to the following location: Manatee County Administration Building, 1112 Manatee Avenue West, Suite 803, Bradenton, FL 34205 and time stamped by a Procurement representative prior to the Due Date and Time.

Bids received after the Due Date and Time will not be considered. It will be the sole responsibility of the Bidder to deliver its Bid to the Manatee County Procurement Division for receipt on or before the Due Date and Time. If a Bid is sent by U.S. Mail, courier or other delivery services, the Bidder will be responsible for its timely delivery to the Procurement Division. Bids delayed in delivery will not be considered, will not be opened at the public opening, and arrangements will be made for their return at the Bidder's request and expense.

A.02 SOLICITATION INFORMATION CONFERENCE AND SITE VISIT:

No Solicitation Information Conference will be conducted for this solicitation.

A non-mandatory site visit will be held at 10:00 A.M. on October 27, 2022 at the Manatee County Waste Water Treatment Plant, 8500 69th Street East, Palmetto, Florida 34221. Attendance to the non-mandatory site visit is not required, but strongly encouraged.

Attendance to mandatory information conferences and/or site visits are required to meet the minimum qualification requirements of the IFBC. Attendance to non-mandatory information conferences and/or site visit is not required, but is strongly encouraged.

A.03 PUBLIC OPENING OF BIDS

Bids will be opened immediately following the Due Date and Time at the Manatee County Administration Building, Suite 803 in the presence of County officials. Bidders or their representatives may attend the Bid opening.

Manatee County will make public at the opening the names of the business entities which submitted a Bid and the total bid price submitted. No review or analysis of the Bids will be conducted at the Bid opening.

A.04 SUBMISSION OF BIDS

The contents of the Bid sealed package must include:

- One (1) bound original clearly identifying Bidder and marked "ORIGINAL".
- One (1) electronic format copy clearly identifying Bidder.

Electronic format copy should be submitted on a Universal Serial Bus (USB) portable flash memory drive or compact disc (CD) in Microsoft Office® or Adobe Acrobat® portable document format (PDF) in one continuous file. Do not password protect or otherwise encrypt electronic Bid copies. Electronic copies must be searchable and contain an identical Bid to the original.

Submit the Bid package in a sealed container with the following information clearly marked on the outside of the package: IFBC NO. 22-R080011JH, Public Works WTTP Office Building Generator, Bidder's name, and Bidder's address. Bids must be delivered to the Manatee County Procurement Division prior to the Due Date and Time at the following address:

Manatee County Procurement Division
1112 Manatee Avenue West, Suite 803
Bradenton, FL 34205

A.05 DISTRIBUTION OF SOLICITATION DOCUMENTS

All documents issued pursuant to this IFBC are distributed electronically and available for download at no charge at www.mymanatee.org > *Bids and Proposals*. Documents may be viewed and downloaded for printing using Adobe Reader® software.

At its sole discretion, the County may utilize third-party providers to distribute proposals. Visit the third-party's website for more information regarding this service. Participation in the third-party system is not a requirement for doing business with Manatee County.

Additionally, the IFBC and all related documents are available for public inspection at the Manatee County Procurement Division, 1112 Manatee Avenue West, Suite 803, Bradenton, FL 34205. Call (941) 749-3014 to schedule an appointment. Documents are available between the hours of 8:00 A.M. and 5:00 P.M., Monday through Friday, with the exception of County holidays.

As a courtesy, Manatee County notifies the Manatee County Chamber of Commerce and the Manatee County Black Chamber of Commerce of all active solicitations, who then distributes the information to its members.

A.06 EXAMINATION OF BID DOCUMENTS AND SITE(S)

It is the responsibility of each bidder before submitting a bid, to (a) examine the IFBC documents thoroughly; (b) visit the Project Site(s) to become familiar with local conditions that may affect cost, progress, performance, or furnishing of the Work; (c) consider federal, state, and local codes, laws, and regulations that may affect costs, progress, performance, or furnishing of the Work; (d) study and carefully correlate bidder's observations with the IFBC documents; and (e) notify County in writing of all conflicts, errors, or discrepancies in the IFBC documents.

Each bidder may, at bidder's own expense, make or obtain any additional examinations, investigations, explorations, tests and studies, and obtain any additional information and

data which pertain to the physical conditions at or contiguous to the Project Site(s) or otherwise which may affect cost, progress, performance or furnishing of the Work and which bidder deems necessary to determine his bid for performing and furnishing the Work in accordance with the time, price and other terms and conditions of the IFBC documents. County will provide each bidder access to the site(s) to conduct such explorations and tests.

Bidder shall fill all holes, clean up and restore the Project Site(s) to its former condition upon completion of such explorations. The lands upon which the Work is to be performed, rights-of-way and easements for access thereto, and other lands designated for use by successful bidder in performing the Work are identified in the IFBC documents.

All additional lands and access thereto required for temporary construction facilities or storage of materials and equipment are to be provided by successful bidder. Easements for permanent structures or permanent changes in existing structures are to be obtained and paid for by County unless otherwise provided in the IFBC documents.

Inspection of the Project Site(s) is not a requirement to be considered for award of this bid. Prior to submitting a bid, each bidder shall examine the Project Site(s) and all conditions thereon fully familiarizing themselves with the full scope of the Work. Failure to become familiar with Project Site conditions will in no way relieve the successful bidder from the necessity of furnishing any materials or performing any Work that is required to complete the Project in accordance with the Project Plans and Specifications. Bidder shall acknowledge inspection of the Project Site(s) on his/her signed, submitted Bid Form.

A.07 ADDENDA

Any interpretations, corrections or changes to this IFBC will be made by addenda. Addenda will be posted on the Procurement Division's web page of the County website at <http://www.mymanatee.org/purchasing> > *Bids and Proposals*. For those solicitations that are advertised on a third-party website, addenda will also be posted on the third-party's distribution system on the 'Planholders' link.

All addenda are a part of the IFBC and each Bidder will be bound by such addenda. It is the responsibility of each Bidder to read and comprehend all addenda issued. Failure of any Bidder to acknowledge an issued addendum in its Bid will not relieve the Bidder from any obligation contained therein.

A.08 BID FORMS

Bids must include the forms provided in this IFBC. If needed, additional pages may be attached to a form. Bidders must fully complete and execute all Bid Forms. Bid Forms must be executed by an authorized official of the company who has the legal authority to bind the company.

A.09 BID EXPENSES

All costs incurred by Bidder in responding to this IFBC will be the sole responsibility of the Bidder.

A.10 QUESTION AND CLARIFICATION PERIOD

Each Bidder shall examine all IFBC documents and will judge all matters relating to the adequacy and accuracy of such documents. Any questions or requests concerning interpretation, clarification or additional information pertaining to this IFBC, including the sample Agreement, shall be made in writing via email to the Manatee County Procurement Division to the Designated Procurement Contact or to purchasing@mymanatee.org. All questions received and responses given will be provided to potential bidders via an addendum to this IFBC.

Manatee County will not be responsible for oral interpretations given by other sources including County staff, representative, or others. The issuance of a written addendum by the Procurement Division is the only official method whereby interpretation, clarification or additional information will be given.

A.11 FALSE OR MISLEADING STATEMENTS

Bids which contain false or misleading statements, or which provide references which do not support an attribute or condition claimed by the Bidder, may be rejected. If, in the opinion of the County, such information was intended to mislead the County in its evaluation of the Bid, and the attribute, condition or capability is a requirement of this IFBC. Such Bidder will be disqualified from consideration for this IFBC and may be disqualified from submitting a response on future solicitation opportunities with the County.

A.12 CONFIDENTIALITY OF SECURITY RELATED RECORDS

a. Pursuant to Florida Statutes § 119.071(3), the following records (hereinafter referred to collectively as “the Confidential Security Records”) are confidential and exempt from the disclosure requirements of Florida Statutes § 119.07(1):

- i. A Security System Plan or portion thereof for any property owned by or leased to County or any privately owned or leased property held by County.
- ii. Building plans, blueprints, schematic drawings, and diagrams, including draft, preliminary, and final formats, which depict the internal layout and structural elements of a building, arena, stadium, water treatment facility, or other structure owned or operated by County.
- iii. Building plans, blueprints, schematic drawings, and diagrams, including draft, preliminary, and final formats, which depict the internal layout or structural elements of an attractions and recreation facility, entertainment or resort complex, industrial complex, retail and service development, office development, or hotel or motel development in the possession of, submitted to County.

b. Successful Bidder agrees that, as provided by Florida Statute, it shall not, as a result of a public records request, or for other reason disclose the contents of, or release or

provide copies of the Confidential Security Records to any other party absent the express written authorization of County's Property Management Director or to comply with a court order requiring such release or disclosure. To the extent successful Bidder receives a request for such records, it shall immediately contact the County's designated Contract administrator who shall coordinate County's response to the request.

A.13 LOBBYING

After the issuance of any IFBC, prospective bidders, bidders, or their agents, representatives or persons acting at the request of such bidder shall not contact, communicate with or discuss any matter relating to the IFBC with any officer, agent or employee of Manatee County other than the Purchasing Official or the contact identified in this IFBC, pursuant to the Manatee County Code of Laws. This prohibition includes copying such persons on all written communication, including email correspondence. This requirement begins with the issuance of an IFBC and ends upon execution of the final Agreement or when the IFBC has been cancelled. Violators of this prohibition shall be subject to sanctions as provided in the Manatee County Code of Laws.

A.14 UNBALANCED BIDDING PROHIBITED

County recognizes that large and/or complex projects will often result in a variety of methods, sources, and prices. However, where in the opinion of the County such variation does not appear to be justified given bid requirements and industry and market conditions, the Bid will be presumed to be unbalanced. Examples of unbalanced Bids will include:

- a. Bids showing omissions, alterations of form, additions not specified, or required conditional or unauthorized alternate bids.
- b. Bids quoting prices that substantially deviate, either higher or lower, from those included in the Bids of competitive Bidders for the same line item unit costs.
- c. Bids where the unit costs offered are in excess of, or below reasonable cost analysis values.

In the event County determines that a Bid is presumed unbalanced, it will request the opportunity to and reserves the right to, review all source quotes, bids, price lists, letters of intent, and other supporting documentation which the Bidder obtained and upon which the Bidder relied upon to develop its Bid. County reserves the right to deem any presumptive unbalanced Bid where the Bidder is unable to demonstrate the validity and/or necessity of the unbalanced unit costs as non-responsive.

A.15 FRONT LOADING OF BID PRICING PROHIBITED

Prices offered for performance and/or acquisition activities which occur early in the Project Schedule, such as mobilization; clearing and grubbing; or maintenance of traffic; that are substantially higher than pricing of competitive bidders within the same portion of the Project Schedule, will be presumed to be front loaded. Front loaded bids could reasonably appear to be an attempt to obtain unjustified early payments creating a risk of

insufficient incentive for the bidder to complete the Work or otherwise creating an appearance of an undercapitalized bidder.

In the event County determines that a bid is presumed to be front loaded, it will request the opportunity to, and reserves the right to, review all source quotes, bids, price lists, letters of intent, and other documents which the bidder obtained and upon which the bidder relied upon to develop the pricing or acquisition timing for these bid items. County reserves the right to reject as nonresponsive any presumptive front-loaded bids where the bidder is unable to demonstrate the validity and/or necessity of the front-loaded costs.

A.16 WITHDRAWAL OR REVISION OF BIDS

Bidders may withdraw Bids under the following circumstances:

- a. If Bidder discovers a mistake(s) prior to the Due Date and Time. Bidder may withdraw its Bid by submitting a written notice to the Procurement Division. The notice must be received in the Procurement Division prior to the Due Date and Time for receiving Bids. A copy of the request shall be retained, and the unopened Bid returned to the Bidder; or
- b. After the Bids are opened but before a contract is signed, Bidder alleges a material mistake of fact if:
 - 1. The mistake is clearly evident in the solicitation document; or
 - 2. Bidder submits evidence which clearly and convincingly demonstrates that a mistake was made in the Bid. Request to withdraw a Bid must be in writing and approved by the Purchasing Official.

A.17 IRREVOCABLE OFFER

Any Bid may be withdrawn up until the Due Date and Time. Any Bid not so withdrawn shall, upon opening, constitute an irrevocable offer for a period of one hundred twenty (120) days to provide the goods or services set forth in this IFBC or until one or more of the Bids have been duly accepted by County, whichever occurs first.

A.18 RESERVED RIGHTS

County reserves the right to accept or reject any and/or all bids, to waive irregularities and minor technicalities, and to request resubmission. Also, County reserves the right to accept all or any part of the bid and to increase or decrease quantities to meet additional or reduced requirements of County. Any sole response received by the first submission date may or may not be rejected by County depending on available competition and current needs of County. For all items combined, the bid of the lowest, responsive, responsible bidder will be accepted, unless all bids are rejected.

The lowest, responsible bidder shall mean that Bidder who makes the lowest Bid to sell goods and/or services of a quality which meets or exceeds the quality of goods and/or services set forth in the IFBC documents or otherwise required by County.

To be responsive, a Bidder shall submit a Bid which conforms in all material respects to the requirements set forth in the IFBC.

To be a responsible bidder, the bidder shall have the capability in all respects to perform fully the bid requirements, and the tenacity, perseverance, experience, integrity, reliability, capacity, facilities, equipment, and credit which will assure good faith performance.

Also, County reserves the right to make such investigation as it deems necessary to determine the ability of any bidder to furnish the service requested. Information County deems necessary to make this determination shall be provided by the bidder. Such information may include, but shall not be limited to current financial statements, verification of availability of equipment and personnel, and past performance records.

A.19 APPLICABLE LAWS

Bidder must be authorized to transact business in the State of Florida. All applicable laws and regulations of the State of Florida and ordinances and regulations of Manatee County will apply to any resulting Agreement. Any involvement with the Manatee County Procurement Division shall be in accordance with the Manatee County Procurement Ordinance as amended.

A.20 COLLUSION

By submitting a bid in response to this IFBC, Bidder certifies that it has not divulged, discussed or compared its bid with any other bidder, and has not colluded with any other bidder or parties to this bid whatsoever. Further, Bidder, and in the case of a joint bid each party thereto, certifies as to their own organization, that in connection with this IFBC that:

- a. All prices and/or cost data submitted have been arrived at independently, without consultation, communication, or agreement, for the purpose of restricting competition, as to any matter relating to such prices and/or cost data, with any other bidder or with any competitor;
- b. All prices and/or cost data quoted for this bid have not been knowingly disclosed by the Bidder and will not knowingly be disclosed by the Bidder, prior to the scheduled opening, directly or indirectly to any other bidder or to any competitor;
- c. No attempt has been made, or will be made, by Bidder to induce any other person or firm to submit or not to submit a bid for the purpose of restricting competition;
- d. The only person or persons interested in this bid is/are named in Bidder's Bid and that no person other than those identified has any interest in the Bid or in the resulting Agreement to be entered into.
- e. No person or agency has been employed or retained to solicit or secure the resulting Agreement upon an agreement or understanding or a commission, percentage,

brokerage, or contingent fee except bona fide employees or established commercial agencies maintained by Bidder for purpose of doing business.

A.21 CODE OF ETHICS

With respect to this and any bid, if a Bidder violates, directly or indirectly, the ethics provisions of the Manatee County Procurement Code and/or Florida criminal or civil laws related to public procurement, including but not limited to Florida Statutes Chapter 112, Part II, Code of Ethics for Public Officers and Employees, such Bidder will be ineligible for award to perform the work described in this IFBC, and may be disqualified from submitting on any future quote or bid requests to supply goods or services to Manatee County. By submitting a bid, the Bidder represents to County that all statements made, and materials submitted are truthful, with no relevant facts withheld.

A.22 PUBLIC CONTRACTING AND ENVIRONMENTAL CRIMES

A person or affiliate who has been placed on the convicted vendor list following a conviction for a public entity crime, as that term is defined in Section 287.133, Florida Statutes, may not submit a bid to provide any goods or services to a public entity; may not submit a bid with a public entity for the construction or repair of a public building or public work; may not submit bids on leases of real property to a public entity; may not be awarded or perform Work as a contractor, supplier, Subcontractor, or consultant under an agreement with any public entity; and may not transact business with any public entity in excess of the threshold amount provided in Section 287.017, Florida Statutes, for CATEGORY TWO for a period of thirty-six (36) months following the date of being placed on the convicted list.

In addition, the Manatee County Code of Laws prohibits the award of any bid to any person or entity who/which has, within the past five (5) years, been convicted of, or admitted to in court or sworn to under oath, a public entity crime or of any environmental law that, in the reasonable opinion of the Purchasing Official, establishes reasonable grounds to believe the person or business entity will not conduct business in a responsible matter.

To ensure compliance with the foregoing, the Code requires all persons or entities desiring to do business with County to execute and file with the Purchasing Official an affidavit, executed under the pain and penalties of perjury, confirming that person, entity and any person(s) affiliated with the entity, does not have such a record and is therefore eligible to seek and be awarded business with County. In the case of a business entity other than a partnership or a corporation, such affidavit shall be executed by an authorized agent of the entity. In the case of a partnership, such affidavit shall be executed by the general partner(s). A Public Contracting and Environmental Crimes Certification form is attached herein for this purpose.

A.23 SCRUTINIZED COMPANIES

Florida Statutes § 287.135, as amended from time to time, may contain limitations on the part of a company to conduct business with the County. Submission of a response to this solicitation shall be subject to all procedural requirements contained within that statute

including the submission of any required certification of eligibility to contract with the County. It shall be the responsibility of the company responding to this solicitation to concurrently review the current version of the statute and ensure it is compliant. To the extent a certification is required, it shall be provided on the form located at Appendix F *Vendor Certification Regarding Scrutinized Companies Lists*.

A.24 AGREEMENT

The successful Bidder will be required to execute the Agreement, a sample of which is attached hereto and made a part hereof. The County will transmit the Agreement to the successful Bidder for execution. The successful Bidder agrees to deliver the required number of duly executed copies of the Agreement, with any other required documents, to the County within ten calendar days of receipt.

A.25 LEGAL NAME

Bidders shall clearly indicate the full legal name, including any d/b/a, address, email address, and telephone number on the Bid Form. Bid Forms shall be signed above the typed or printed name and title of the signer. The signer must be an official of the organization and have the authority to bind the bidder to the submitted bid.

When bidder is a partnership, the Bid Form shall be signed in the name of the firm and by all partners required under the terms of the partnership agreement. When a corporation is a bidder, the authorized corporate officers shall sign.

Bidders who are corporations or limited partnerships shall provide a certified copy of their permit to transact business in the State of Florida, preferably along with the Bid Form, or within forty-eight (48) hours after request by County.

When submitting a bid as a joint venture, it must have filed paper documents with the Division of Profession's Construction Industry Licensing Board prior to submitting a bid.

A.26 DISCOUNTS

All discounts must be incorporated in the prices contained in the bid and not shown separately. Unless otherwise specified in this IFBC, pricing must be all inclusive, including delivery costs. The prices indicated on the Pricing Form shall be the prices used in determining award.

A.27 TAXES

Manatee County is exempt from Federal Excise and State Sales Taxes. (F.E.T. Cert. No. 59-78-0089K; Florida Sales Tax Exempt Cert. No. 85-8012622206C-6). Therefore, the Bidder is prohibited from delineating a separate line item in its bid for any sales or service taxes.

The successful Bidder will be responsible for the payment of taxes of any kind, including but not limited to sales, consumer, use, and other similar taxes payable on account of the work performed and/or materials furnished under the award in accordance with all applicable laws and regulations.

A.28 QUALITY

Unless otherwise specifically provided in the IFBC documents, all goods provided shall be new, the latest make or model, of the best quality, of the highest grade of workmanship, and of the most suitable for the purpose intended.

Unless otherwise specifically provided in the IFBC documents, reference to any equipment, material, article or patented process, by trade name, brand name, make or catalog number, shall be regarded as establishing a standard of quality and shall not be construed as limiting competition.

A.29 AUTHORIZED PRODUCT REPRESENTATION

Bidder, by virtue of submitting the name and specifications of a manufacturer's product, will be required to furnish the named manufacturer's product. Failure to do so may, in the County's sole discretion, be deemed a material breach of the resulting agreement and shall constitute grounds for County's immediate termination of the resulting agreement.

A.30 ROYALTIES AND PATENTS

The successful Bidder shall pay all royalties and license fees for equipment or processes in conjunction with the equipment and/or services being furnished. Successful Bidder shall defend all suits or claims for infringement of any patent, trademark or copyright, and shall save County harmless from loss on account thereof, including costs and attorney's fees.

A.31 AMERICANS WITH DISABILITIES ACT

Manatee County does not discriminate upon the basis of any individual's disability status. This non-discrimination policy involves every aspect of County's functions including one's access to participation, employment, or treatment in its programs or activities. Anyone requiring reasonable accommodation for an information conference or bid opening should contact the person named on the cover page of this document at least twenty-four (24) hours in advance of either activity.

A.32 EQUAL EMPLOYMENT OPPORTUNITY

In accordance with Title VI of the Civil Rights Act of 1964, Title 15, Part 8 of the Code of Federal Regulations and the Civil Rights Act of 1992, Manatee County hereby notifies all Bidders that it will affirmatively ensure minority business enterprises are afforded full opportunity to participate in response to this IFBC and will not be discriminated against on the grounds of race, color, national origin, religion, sex, age, handicap, or marital status in consideration of award.

A.33 MINORITY AND/OR DISADVANTAGED BUSINESS ENTERPRISES

The State of Florida Office of Supplier Diversity provides the certification process and maintains the database of certified MBE/DBE firms. Additional information may be obtained at https://www.dms.myflorida.com/agency_administration/office_of_supplier_diversity_osd or by calling (850) 487-0915.

A.34 DELIVERY

Unless otherwise specified, all prices shall include all delivery cost (FOB Destination).

A.35 MATHEMATICAL ERRORS

- a. Bid pricing forms without imbedded mathematical formulas: In the event of multiplication/extension error(s), the unit price shall prevail. In the event of addition error(s) the extension totals will prevail. In the event the dollar amount for contract contingency is omitted, it will be added to the total price of the Bid.
- b. Bid pricing forms with imbedded mathematical formulas: Interactive bid pricing forms that contain mathematical formulas may be provided to automate lengthy and complex bid forms. In the event bid pricing forms with imbedded formulas are used and a multiplication/extension error(s) is discovered in the formula, the unit price entered by the Bidder shall prevail.
- c. Bidder shall assume the responsibility and accuracy of the information input in the bid pricing form and therefore shall verify that the calculations are correct before submitting its Bid.
- d. Regardless of the type of bid pricing form used, all Bids shall be reviewed mathematically by the County using these standards.

A.36 SUBCONTRACTORS

The successful bidder will obtain prior written approval from the County for any subcontractor(s) and the work each will perform. A subcontractor is defined as any entity performing work within the scope of the project who is not an employee of the successful Bidder.

Bidders subcontracting any portion of the work shall include a list of subcontractors along with their bid. The list shall include: name and address of subcontractor, type of work to be performed and the percent of the contract amount to be subcontracted.

A.37 E-Verify

Prior to the employment of any person under this contract, the successful Bidder shall utilize the U.S. Department of Homeland Security's E-Verify system to verify the employment eligibility of (a) all persons employed during the contract term by the successful Bidder to perform employment duties within Florida and (b) all persons, including subcontractors, assigned by the successful Bidder to perform work pursuant to the contract with Manatee County. For more information on this process, please refer to United States Citizenship and Immigration Service site at: <http://www.uscis.gov/>.

Only those individuals determined eligible to work in the United States shall be employed under this contract.

By submission of a bid in response to this IFBC, the successful Bidder commits that all employees and subcontractors will undergo e-verification before placement on this

contract.

The successful Bidder shall maintain sole responsibility for the actions of its employees and subcontractors. For the life of the contract, all employees and new employees brought in after contract award shall be verified under the same requirement stated above.

A.38 DISCLOSURE

Upon receipt, all inquiries and responses to inquiries related to this IFBC become “Public Records,” and shall be subject to public disclosure consistent with Florida Statutes, Chapter 119.

Bids become subject to disclosure thirty (30) days after the opening or if a notice of intent to award decision is made earlier than this time as provided by Florida Statutes § 119.071(1)(b). No announcement or review of the bids shall be conducted at the public opening.

Based on the above, County will receive bids at the time and date stated and will make public at the opening the names of the business entities of all that submitted a bid.

If County rejects all bids and concurrently notices its intent to reissue the solicitation, the rejected bids are exempt from public disclosure until such time as County provides notice of an intended decision concerning the reissued solicitation or until County withdraws the reissued solicitation. A bid is not exempt for longer than twelve (12) months after the initial notice rejecting all bids.

Pursuant to Florida Statutes 119.0701, to the extent successful Bidder is performing services on behalf of the County, successful Bidder must:

- a. Keep and maintain public records required by public agency to perform the service.
- b. Upon request from the public agency’s custodian of public records, provide the public agency with a copy of the requested records or allow the records to be inspected or copied within a reasonable time at a cost that does not exceed the cost provided in Florida Statutes, Chapter 119, or as otherwise provided by law.
- c. Ensure that public records that are exempt or confidential and exempt from public records disclosure requirements are not disclosed except as authorized by law for the duration of the contract term and following completion of the contract if the successful Bidder does not transfer the records to the public agency.
- d. Upon completion of the contract, transfer, at no cost, to the public agency all public records in possession of contractor or keep and maintain public records required by the public agency to perform the service. If the successful Bidder transfers all public records to the public agency upon completion of the contract, the successful Bidder shall destroy any duplicate public records that are exempt or confidential and exempt from public records disclosure requirements. If the successful Bidder keeps and

maintains public records upon completion of the contract, the successful Bidder shall meet all applicable requirements for retaining public records. All records stored electronically must be provided to the public agency, upon request from public agency's custodian of public records, in a format that is compatible with the information technology systems of the public agency.

IF THE SUCCESSFUL BIDDER HAS QUESTIONS REGARDING THE APPLICATION OF CHAPTER 119, FLORIDA STATUTES, TO THE SUCCESSFUL BIDDER'S DUTY TO PROVIDE PUBLIC RECORDS RELATING TO ANY RESULTING CONTRACT, CONTACT COUNTY'S CUSTODIAN OF PUBLIC RECORDS AT:

Phone: (941) 742-5845

Email: debbie.scaccianoce@mymanatee.org

Mail: Manatee County BCC

Attn: Records Manager

1112 Manatee Ave W.

Bradenton, FL 34205.

A.39 LOCAL PREFERENCE

Local business is defined as a business legally authorized to engage in the sale of the goods and/or services, and which certifies within its Bid that for at least six (6) full months prior to the advertisement of this IFBC it has maintained a physical place of business in Manatee, Desoto, Hardee, Hillsborough, Pinellas or Sarasota County with at least one full-time employee at that location.

Local preference shall not apply to the following categories of agreements:

- a. Purchases or agreements which are funded, in whole or in part, by a governmental or other funding entity, where the terms and conditions governing the funds prohibit the preference.
- b. Any bid announcement which specifically provides that local preference, as set forth in this section, is suspended due to the unique nature of the goods or services sought, the existence of an emergency as found by either the County Commission or County Administrator, or where such suspension is, in the opinion of the County Attorney, required by law.
- c. For a competitive solicitation for construction services in which fifty percent (50%) or more of the cost will be paid from state.
- d. To qualify for local preference under this section, **a local business must certify to County** by completing an **"Affidavit as to Local Business Form,"** which is available for download at www.mymanatee.org/vendor. Click on "Affidavit for Local Business" to access and print the form. Complete, notarize, and mail the notarized original to the following address: Manatee County Procurement Division, 1112 Manatee Avenue West, Suite 803, Bradenton, FL 34205.
- e. It is the responsibility of the bidder to ensure accuracy of the Affidavit as to Local Business and notify County of any changes affecting same.

A.40 VENDOR REGISTRATION

Registering your business will provide Manatee County a sourcing opportunity to identify suppliers of needed goods and services and identify local businesses. To register as a supplier with the County go to www.mymanatee.org/vendor. For assistance with supplier registration, call the Procurement Division main number at (941) 749-3014. Office hours are Monday – Friday, 8:00 A.M. to 5:00 P.M., excluding County holidays.

A link to Vendor Registration is listed on the Procurement Division’s web page at <http://www.mymanatee.org/home/government/departments/financial-management/purchasing.html>. Click on “*Register as a Vendor*”, then “*Vendor Registration Form*”. Registration is not mandatory to submit a Bid.

A.41 ENVIRONMENTAL SUSTAINABILITY

All bidders are encouraged to use as many environmentally preferable "green" products, materials, as supplies, as possible to promote a safe and healthy environment. Environmentally preferable are products or services that have a reduced adverse effect on the environment.

Bidder shall acknowledge in its Bid if Bidder has an environmental sustainability initiative. In addition, Bidder shall submit with its Bid a brief summary of Bidder’s environmental sustainability initiative. This information will be used as a determining factor in the award decision when all other factors, including local preference, are otherwise equal.

A.42 ePAYABLES

Manatee County Board of County Commissioners and the Manatee County Clerk of the Circuit Court have partnered to offer the ePayables program, which allows payments to be made to vendors via credit cards.

The Clerk of the Circuit Court will issue a unique credit card number to vendor after goods are delivered or services rendered, vendors submit invoices to the remit to address on the purchase order. When payments are authorized, an email notification is sent to the vendor. The email notification includes the invoice number(s), invoice date(s), and amount of payment. There is no cost for vendors to participate in this program; however, there may be a charge by the company that processes your credit card transactions.

If Bidder is interested in participating in this program, complete the ePayables Application attached herein and return the completed form via email to tina.mancini@manateeclerk.com.

A.43 BASIS OF AWARD

County will not make award to a Bidder who is delinquent in payment of any taxes, fees, fines, contractual debts, judgments, or any other debts due and owed to the County, or is in default on any contractual or regulatory obligation to the County. By submitting this solicitation response, Bidder attests that it is not delinquent in payment of any such debts due and owed to the County, nor is it in default on any contractual or regulatory obligation to the County. In the event the Bidder’s statement is discovered to be false, bidder will be

subject to suspension and/or debarment and the County may terminate any award it has with bidder.

Award shall be to the lowest, responsive, responsible bidder(s) meeting specifications which includes delivery time requirements, qualification requirements, and having the lowest total offer for requirements listed on the Bid Form for the Work as set forth in this IFBC. Bid prices shall include costs for furnishing all labor, equipment and/or materials for the completion of the Work to the County's satisfaction, in accordance with and in the manner set forth and described in the IFBC documents and within the prescribed time.

Only one (1) completion schedule for 120 calendar days shall be submitted and considered.

In evaluating Bids, County shall consider the qualifications of the Bidders; and if required, may also consider the qualifications of the subcontractors, suppliers, and other persons and organizations proposed. County may also consider the operating costs, maintenance requirements, performance data and guarantees of major items of materials and equipment proposed for incorporation in the Work.

Whenever two or more responsive, responsible bids which are equal with respect to price and all other evaluation factors are received, the bid from the local business shall be given preference in award.

Whenever two or more responsive, responsible bids which are equal with respect to price are received, and both or neither of these bids are from a local business, the award shall be determined by a chance drawing, coin toss, or similar tie-breaking method conducted by the Procurement Division and open to the public.

Bidder acknowledges that County has, or may hire, others to perform work similar to or the same as that which is within the scope of work of this IFBC. In the event that the successful Bidder cannot meet the delivery time or availability requirements of materials, the County, at its sole discretion can obtain the goods and services from other sources.

A.44 SCOPE OF WORK

The successful Bidder shall furnish and install all materials, equipment and labor which is reasonably inferable and necessary for the proper completion of the Work specified in this IFBC, whether specifically indicated in the IFBC or not.

The successful Bidder shall furnish all shop drawings, work drawings, labor, materials, equipment, tools, services and incidentals necessary to complete all Work required by these Specifications.

The successful Bidder shall perform the Work complete, in place and ready for continuous service and shall include any repairs, replacements, and / or restoration required as a result of damages caused prior to acceptance by the County.

The Scope of Work consist of installation of a backup power generator at the North River Waste Water Treatment Plant.

A.45 COMPLETION OF WORK

The Work will be completed and ready for final inspection within the specified calendar days from the date the Contract Time commences to run. Completion time shall be based on 120 calendar days.

A.46 LIQUIDATED DAMAGES

If the successful Bidder fails to achieve substantial completion of the Work within the contract time and as otherwise required by the Agreement (to include not only the entire Work but any portion of the Work as set forth therein), the County shall be entitled to retain or recover from the successful Bidder, as liquidated damages and not as a penalty, the sum of \$1,226.00 per calendar day, commencing upon the first day following expiration of the contract time and continuing until the actual date of substantial completion.

Such liquidated damages are hereby agreed to be a reasonable estimate of damages the County will incur because of delayed completion of the Work. The County may deduct liquidated damages as described in this paragraph from any unpaid amounts then or thereafter due the successful bidder under this Agreement. Any liquidated damages not so deducted from any unpaid amounts due the successful bidder shall be payable to the County at the demand of the County, together with interest from the date of the demand at the maximum allowable rate.

A.47 CONTRACT CONTINGENCY WORK

Contract contingency is a monetary allowance used solely at County's discretion to handle unexpected conditions as required to satisfactorily complete the Work in accordance with the IFBC documents. A Field Directive must be issued by an authorized County representative to authorize use of contract contingency funds.

The percentage for contract contingency is listed on the Bid Form. Bidder shall enter the dollar amount for contract contingency based on the percentage of the total base bid. The total contract award will include contract contingency.

Appropriate uses of contract contingency include increases to existing bid item quantities that do not change the initial Scope of Work, which may be directed by County staff; modification items not originally bid which were unforeseen yet necessary during the Work to provide a safe, complete Project and that do not change the initial Scope of Work; and unanticipated conflicts and/or design changes required during construction which are necessary to provide a safe, complete Project and that do not change the initial Scope of Work.

Inappropriate uses of contract contingency include anything that changes the initial Scope of Work, including the Contract Sum and Contract Time, and adding bid items not previously contemplated that change the initial Scope of Work.

A.48 LICENSES AND PERMITS

The successful Bidder shall be solely responsible for obtaining all necessary license and permit fees, including, but not limited to, all license fees, permit fees, impact fees, or inspection fees, and responsible for the costs of such fees. Successful Bidder is solely responsible for ensuring all work complies with all Federal, State, local, and Manatee County ordinances, orders, codes, laws, rules, regulations, directives, and guidelines.

A.49 PROTEST

Any actual bidder, proposer, or contractor who is aggrieved in connection with the notice of intent to award of a contract with a value greater than \$250,000 where such grievance is asserted to be the result of a violation of the requirements of the Manatee County Procurement Code or any applicable provision of law by the officers, agents, or employees of the County, may file a protest to the Purchasing Official.

Protest must be in writing and delivered via email at purchasing@mymanatee.org or by hand delivery to the Procurement Division at 1112 Manatee Avenue West, Suite 803, Bradenton, FL 34205 by 5:00 p.m. on the fifth business day following the date of posting of the Notice of Intent to Award on the County website. There is no stay of the procurement process during a protest. The Purchasing Official shall have the authority to settle and resolve a protest concerning the intended award of a contract.

For additional information regarding the County protest process, visit the Procurement Division webpage on the County website.

A.50 ACCESSIBILITY

The County is committed to making its documents and information technologies accessible to individuals with disabilities by meeting the requirements of Section 504 of the Rehabilitation Act and best practices (W3C WCAG 2). **For assistance with accessibility regarding this solicitation, contact the Manatee County Procurement Division via email at purchasing@mymanatee.org or by phone at 941-748-4501 X3014.**

Successful Bidder shall ensure all its electronic information, documents, applications, reports, and deliverables required under this Agreement are in a format that meets the requirements of Section 504 of the Rehabilitation Act and best practices (W3C WCAG 2).

Where not fully compliant with these requirements and best practices, Successful Bidder shall provide clear points of contact for each document and information technology to direct users in how to obtain alternate formats. Further, successful Bidder shall develop accommodation strategies for those non-compliant resources and implement strategies to resolve the discrepancies.

A.51 SOLICITATION SCHEDULE

The following schedule has been established for this Solicitation process. Refer to the County's website (www.mymanatee.org > Business > *Bids & Proposals*) for meeting locations and updated information pertaining to any revisions to this schedule.

Scheduled Item	Scheduled Date
Non-Mandatory site tour	October 27, 2022, 10:00 A.M. ET
Question and Clarification Deadline	November 03, 2022
Final Addendum Posted	November 10, 2022
Bid Response Due Date and Time	November 29, 2022, 11:00 AM, ET
Projected Award	December, 2022

NOTE: Any statements contained in the Scope of Work, Bid Summary, Construction Agreement, General Conditions of the Construction Agreement and/or Exhibits which vary from the information in Section A, Information for Bidders, shall have precedence over the Information for Bidders.

END OF SECTION A

SECTION B, BID FORMS

(To be completed and returned with Bid)

APPENDIX A, MINIMUM QUALIFICATIONS

IFBC No. 22-R080011JH

Bidders must submit the information and documentation requested in this Attachment that confirms Bidder meets the following minimum qualification requirement(s):

1. Must have been registered with the State of Florida, Division of Corporations to do business in Florida.

No documentation is required. The County will verify registration.

2. Bidder, or Bidder's subcontractor combined must possess a General Contractors License issued by the Florida Department of Business and Professional Regulation for a period of at least five (5) consecutive years since October 1, 2017. License must be current and valid through the Due Date for submission of bids for this IFBC.

If Bidding as a General Contractor, provide a copy of the license, issued by the Florida Department of Business and Professional Regulation and documentation confirming Bidder or Bidders Subcontractor has been licensed and or certified for the period of October 1, 2017 through the date of submission of the bid.

3. Bidder or Bidder's subcontractor has provided backup power generator installation for at least three (3) projects since October 1, 2017 in which each project included installation of a backup power generator. Project clients must be agreeable to responding to an inquiry by the County.

Provide the following information for the three (3) qualifying project references.

- a) Name of client
 - b) Project name
 - c) Location (City/State)
 - d) Client contact name
 - e) Contact phone
 - f) Contact email
 - g) Service dates (Start/End)
4. Bidder, on the day the bid is submitted, has a certified or registered Qualifying Agent, as required by Section 489.119, Florida Statutes, and that Qualifying Agent has been the same Qualifying Agent of Bidder for a period of at least two (2) consecutive years, since October 1, 2020.

Submit a copy of Bidder's Qualifying Agent's registration or certification along with supporting documentation confirming Qualifying Agent has been the Qualifying Agent for Bidder for two years, since October 1, 2020.

5. Bidder is not on the Florida Department of Management Services Suspended, Debarred, Convicted Vendor Lists.

No documentation is required. The County will verify.

6. If Bidder is submitting as a joint venture must file the required documents with the Florida Department of Business and Professional Regulation as required by Florida Statute Section 489.119, prior to the Due Date and Time.

If Bidder is a joint venture, provide a copy of Bidder's approved filing with the Florida Department of Business and Professional Regulation.

7. Bidder has no reported conflict of interests in relation to this IFBC.

If no conflicts of interests are present, Bidder must submit a fully completed copy of Appendix J.

If there is a potential conflict of interest, on a separate page submit a statement to that affect and disclose the name of any officer, director or agent who is an employee of the County. Disclose the name of any County employee who owns, directly or indirectly, any interest in Bidder's firm or any of its branches.

END OF APPENDIX A

APPENDIX B, BIDDER'S QUESTIONNAIRE

IFBC No. 22-R080011JH

Bidder must fully complete and return this form with its Bid. Bidder warrants the truth and accuracy of all statements and answers herein contained. (Attach additional pages if necessary.)

THIS QUESTIONNAIRE MUST BE COMPLETED AND SUBMITTED WITH YOUR BID

1. Contact Information:

FEIN #: _____
License #: _____
License Issued to: _____
Date License Issued (MM/DD/YR): _____
Company Name: _____
Physical Address: _____
City: _____ State of Incorporation: _____ Zip Code: _____
Phone Number: () _____ Fax Number: () _____
Email address: _____

2. Bidding as: an individual __; a partnership __; a corporation __; a joint venture __

3. If a partnership, list names and addresses of partners; if a corporation, list names of officers, directors, shareholders, and state of incorporation; if joint venture, list names and address of ventures' and the same if any venture are a corporation for each such corporation, partnership, or joint venture:

4. Bidder is authorized to do business in the State of Florida: Yes No

For how many years? _____

5. Your organization has been in business (under this firm's name) as a

Is this firm in bankruptcy? _____

6. Attach a list of projects where this specific type of Work was performed.

BIDDER: _____

7. Is this firm currently contemplating or in litigation? Provide summary details.

8. Have you ever been assessed liquidated damages under a contract during the past five (5) years? If so, state when, where (contact name, address and phone number) and why.

9. Have you ever failed to complete Work awarded to you? Or failed to complete projects within contract time? If so, state when, where (contact name, address, phone number) and why.

10. Have you ever been debarred or prohibited from providing a bid to a governmental entity? If yes, name the entity and describe the circumstances.

11. Will you subcontract any part of this Work? If so, describe which portion(s) and to whom.

12. If any part of work will be subcontracted, list MBE/DBE/WBE/VETERAN to be utilized. Include the estimated dollar amount of the portion of Work each will perform.

BIDDER: _____

13. What equipment do you own to accomplish this Work? (A listing may be attached)

14. What equipment will you purchase/rent for the Work? (Specify which)

15. If applicable to the Work for this IFBC, Drilling Supervisor Qualifications: Contractor shall provide a boring specialist who shall remain on the project site during the entirety of the directional boring operation. This includes, but is not limited to, drilling fluid preparation, seaming, boring and pulling. The boring specialist shall have a minimum of five (5) years' experience in supervising directional bores of similar nature, diameter, materials and lengths. (Reference: Specification Section 02619, Horizontal Directional Drilling).

Provide the contact information for a minimum of three (3) projects wherein the boring specialist has performed this type of work, diameter, materials and lengths.

Boring specialist's name: _____

Boring specialist's years of experience in supervising directional bores _____

Provide contact name, and contact number for projects:

16. If applicable to the Work for this IFBC, Pipe Fusion Qualifications: All boring and fusing equipment shall be certified for operation. The Contractor responsible for thermal butt fusing pipe and fittings shall have manufacturer certification for performing such work or a minimum of five (5) years of experience performing this type of work.

Thermal butt fusing pipe and fittings contractor or subcontractor's name: _____

Attach a copy of contractor's/subcontractor's manufacturer certification to this Questionnaire

OR

Provide contractor's/subcontractor's years of experience in thermal butt fusing pipe and fittings

If manufacturer certification is not provided, include contact name, and contact number for projects that confirms five years of experience:

BIDDER: _____

17. If applicable to the Work for this IFB, Pipe Bursting Qualifications: The Contractor shall be certified by the manufacturer of the pipe bursting system that they are fully trained licensed installer of the manufacturer's pipe bursting system. Contractor shall provide a letter to the County documenting this requirement. (Reference: Specification Section 02619A, Pipe Bursting (PB) of Existing Mains).

18. List the following regarding the surety which is providing the bond(s):

Surety's Name: _____

Address: _____

Name, address, phone number and email of surety's resident agent for service of process in Florida:

Agent's Name: _____

Address: _____

Phone: _____

Email: _____

19. Is Bidder a local business as defined in Section A.38, Local Preference?

Yes

No

If yes, by signing below Bidder certifies that for at least six months prior to the advertisement date of this IFB it has maintained a physical place of business in Manatee, Desoto, Hardee, Hillsborough, Pinellas or Sarasota counties with at least one full-time employee at that location.

BIDDER: _____

BY: _____

PRINTED NAME: _____

TITLE/DATE: _____

PHYSICAL ADDRESS OF QUALIFYING LOCAL LOCATION: _____

NAME OF QUALIFYING EMPLOYEE AT LOCAL LOCATION: _____

20. Confirm if Bidder has an environmental sustainability initiative as defined in Section A.41.

Yes No

If yes, submit a brief summary (2-3 paragraphs) of the environmental sustainability initiative.

BIDDER: _____

APPENDIX C, ENVIRONMENTAL CRIMES CERTIFICATION

IFBC No. 22-R080011JH

SWORN STATEMENT PURSUANT TO ARTICLE V, MANATEE COUNTY PROCUREMENT CODE

Bidder must fully complete and return this form with its Bid. This form must be signed and sworn to in the presence of a notary public or other official authorized to administer oaths.

This sworn statement is submitted to the Manatee County Board of County Commissioners by

_____ [Print individual's name and title]

for _____ [Print name of entity submitting sworn statement]

whose business address is _____

and (if applicable) its Federal Employer Identification Number (FEIN) is _____. If the entity has no FEIN, include the Social Security Number of the individual signing this sworn statement:

_____.

I understand that no person or entity shall be awarded or receive an Owner's Agreement for public improvements, procurement of goods or services (including professional services) or an Owner's lease, franchise, concession or management agreement, or shall receive a grant of Owner's monies unless such person or entity has submitted a written certification to Owner that it has not:

- (1) been convicted of bribery or attempting to bribe a public officer or employee of Manatee County, the State of Florida, or any other public entity, including, but not limited to the Government of the United States, any state, or any local government authority in the United States, in that officer's or employee's official capacity; or
- (2) been convicted of an agreement or collusion among bidders or prospective bidders in restraint of freedom of competition, by agreement to bid a fixed price, or otherwise; or
- (3) been convicted of a violation of an environmental law that, in the sole opinion of Owner's Purchasing Official, reflects negatively upon the ability of the person or entity to conduct business in a responsible manner; or
- (4) made an admission of guilt of such conduct described in items (1), (2) or (3) above, which is a matter of record, but has not been prosecuted for such conduct, or has made an admission of guilt of such conduct, which is a matter of record, pursuant to formal prosecution. An admission of guilt shall be construed to include a plea of nolo contendere; or

(5) where an officer, official, agent or employee of a business entity has been convicted of or has admitted guilt to any of the crimes set forth above on behalf of such an entity and pursuant to the direction or authorization of an official thereof (including the person committing the offense, if he is an official of the business entity), the business shall be chargeable with the conduct herein above set forth. A business entity shall be chargeable with the conduct of an affiliated entity, whether wholly owned, partially owned, or one which has common ownership or a common Board of Directors. For purposes of this Form, business entities are affiliated if, directly or indirectly, one business entity controls or has the power to control another business entity, or if an individual or group of individuals controls or has the power to control both entities. Indicia of control shall include, without limitation, interlocking management or ownership, identity of interests among family members, shared organization of a business entity following the ineligibility of a business entity under this Article, or using substantially the same management, ownership or principles as the ineligible entity.

(Continued)

Any person or entity who claims that this Article is inapplicable to him/her/it because a conviction or judgment has been reversed by a court of competent jurisdiction shall prove the same with documentation satisfactory to Owner's Purchasing Official. Upon presentation of such satisfactory proof, the person or entity shall be allowed to contract with Owner.

I UNDERSTAND THAT THE SUBMISSION OF THIS FORM TO THE CONTRACTING OFFICER FOR MANATEE COUNTY IS VALID THROUGH DECEMBER 31 OF THE CALENDAR YEAR IN WHICH IT IS FILED. I ALSO UNDERSTAND THAT ANY AGREEMENT OR BUSINESS TRANSACTION SHALL PROVIDE FOR SUSPENSION OF PAYMENTS, OR TERMINATION, OR BOTH, IF THE CONTRACTING OFFICER OR COUNTY ADMINISTRATOR DETERMINES THAT **SUCH** PERSON OR ENTITY HAS MADE FALSE CERTIFICATION.

[Signature]

STATE OF _____
COUNTY OF _____

Sworn to and subscribed before me this _ day of _____, 20____
by _____

Who is personally known / has produced _____ as
identification

[Type of identification]

My commission expires _____

Notary Public Signature

[Print, type or stamp Commissioned name of Notary Public]

Signatory Requirement - In the case of a business entity other than a partnership or a corporation, this affidavit shall be executed by an authorized agent of the entity. In the case of a partnership, this affidavit shall be executed by the general partner(s). In the case of a corporation, this affidavit shall be executed by the corporate president.

APPENDIX D, FLORIDA TRENCH SAFETY ACT

Bidder must fully complete and return this form with its Bid. This form must be signed in the presence of a notary public or by an officer authorized to administer oaths.

1. This Sworn Statement is submitted with **IFBC NO. 22-R080011JH**
2. This Sworn Statement is submitted by _____ whose business address is _____ and, if applicable, its Federal Employer Identification Number (FEIN) is _____. If the entity has no FEIN, include the Social Security Number of the individual signing this sworn statement _____.
3. Name of individual signing this Sworn Statement is: _____, Whose relationship to the above entity is: _____.
4. The Trench Safety Standards that will be in effect during the construction of this project shall include, but are not limited to: Laws of Florida, Chapters 90-96, TRENCH SAFETY ACT, and OSHA RULES AND REGULATIONS 29 CFR 1926.650 Subpart P, effective October 1, 1990.
5. The undersigned assures that the entity will comply with the applicable Trench Safety Standards and agrees to indemnify and hold harmless the County and Engineer of Record, and any of their agents or employees from any claims arising from the failure to comply with said standard.

6. The undersigned has appropriated the following costs for compliance with the applicable standards:

Trench Safety Measure (Description)	Units of Measure (LF, SY)	Unit Quantity	Unit Cost	Extended Cost
a. _____	_____	_____	\$ _____	_____
b. _____	_____	_____	\$ _____	_____
c. _____	_____	_____	\$ _____	_____
d. _____	_____	_____	\$ _____	_____

7. The undersigned intends to comply with these standards by instituting the following procedures:

THE UNDERSIGNED, in submitting this bid, represents that they have reviewed and considered all available geotechnical information and made such other investigations and tests as they may deem necessary to adequately design the trench safety system(s) to be utilized on this project.

(Authorized signature / Title)

SWORN to and subscribed before me this _____ day of _____, 20____.
(Impress official seal)

Notary Public, State of _____ : _____

My commission expires: _____



Angelina M. Colonnese

CLERK OF THE CIRCUIT COURT AND COMPTROLLER OF MANATEE COUNTY

1115 Manatee Avenue West, Bradenton, Florida 34205 - Phone (941) 749-1800 Fax (941) 741-4082, P.O. Box 25400, Bradenton, Florida 34206 - www.manateeclerk.com

Bidder must fully complete and return this form with its Bid.

APPENDIX E: ePAYABLES APPLICATION

Company name _____

Contact person _____

Phone number _____

Email Address _____

FINANCE USE ONLY

.....

Open orders: YES or NO

PEID _____

CREATE DATE _____

CONFIRMED _____ WITH _____

Name and phone number

IFAS _____

BANK _____

INITIALS _____

Return completed form Via email to:

tina.mancini@manateeclerk.com

Via fax to: (941) 741-4011

Via mail:

PO Box 1000

Bradenton, FL 34206

Revised: September 30, 2015

“Pride in Service with a Vision to the Future”

Clerk of the Circuit Court – Clerk of Board of County Commissioners – County Comptroller – Auditor and Recorder

APPENDIX F, SCRUTINIZED COMPANY CERTIFICATION
IFBC No. 22-R080011JH

This certification is required pursuant to Florida State Statute Section 287.135.

As of July 1, 2011, a company that, at the time of bidding or submitting a proposal for a new contract or renewal of an existing contract, is on the Scrutinized Companies with Activities in Sudan List or the Scrutinized Companies with Activities in the Iran Petroleum Energy Sector List is ineligible for, and may not bid on, submit a proposal for, or enter into or renew a contract with an agency or local governmental entity for goods or services of \$1 million or more.

Bidder must fully complete and return this form with its Bid.

Company _____ FID _____ or EIN _____ No. _____

Address _____

City _____ State _____ Zip _____

I, _____, as a representative of _____ certify and affirm that this company is not on the Scrutinized Companies with Activities in Sudan List or the Scrutinized Companies with Activities in the Iran Petroleum Energy Sector List.

Signature Title

Printed Name Date

APPENDIX G, MANATEE COUNTY, A POLITICAL SUBDIVISION OF THE STATE OF FLORIDA INDEMNITY AND HOLD HARMLESS

IFBC No. 22-R080011JH

Bidder must fully complete and return this form with its Bid.

Bidder shall defend, indemnify and hold harmless the County and all of the County’s officers, agents, employees, and volunteers from and against all claims, liability, loss and expense, including reasonable costs, collection expenses, attorneys’ fees, and court costs which may arise because of the negligence (whether active or passive), misconduct, or other fault, in whole or in part (whether joint, concurrent, or contributing), of Respondent, its officers, employees, representatives and agents in performance or non-performance of its obligations under the Contract/Agreement. Bidder recognizes the broad nature of this indemnification and hold harmless clause, as well as the provision of a legal defense to the County when necessary, and voluntarily makes this covenant and expressly acknowledges the receipt of such good and valuable consideration provided by the County in support of these indemnification, legal defense and hold harmless contractual obligations in accordance with the laws of the State of Florida. This clause shall survive the termination of this Contract/Agreement. Compliance with any insurance requirements required elsewhere within this Contract/Agreement shall not relieve Bidder of its liability and obligation to defend, hold harmless and indemnify the County as set forth in this article of the Contract/Agreement.

Nothing herein shall be construed to extend the County’s liability beyond that provided in section 768.28, Florida Statutes.

PROJECT NUMBER AND/OR NAME	
INSURANCE AGENT	
RESPONDENT SIGNATURE	DATE

Acknowledgement:

STATE OF _____ COUNTY OF _____

The foregoing instrument was acknowledged before me this ____ day of _____,

20__ by _____ [FULL LEGAL NAME], who is

personally known to me / has produced _____ as identification.

Notary Signature _____

Print Name _____

APPENDIX H, INSURANCE STATEMENT

IFBC No. 22-R080011JH

Bidder must fully complete and return this form with its Bid.

THE UNDERSIGNED has read and understands the insurance requirements of this IFBC applicable to any contract resulting from this solicitation and shall provide the insurances required by this Appendix within ten (10) days from the date of Notice of Intent to Award.

Bidder Name: _____ Date: _____

Signature
(Authorized
Official): _____

Printed
Name/Title: _____

Insurance Agency: _____

Agent Name: _____ Agent Phone: _____

APPENDIX I, ACKNOWLEDGMENT OF ADDENDA

IFBC No. 22-R080011JH

The undersigned acknowledges receipt of the following addenda:

Addendum No. _____	Date Received:
Addendum No. _____	Date Received:
Addendum No. _____	Date Received:
Addendum No. _____	Date Received:
Addendum No. _____	Date Received:
Addendum No. _____	Date Received:
Addendum No. _____	Date Received:
Addendum No. _____	Date Received:
Addendum No. _____	Date Received:
Addendum No. _____	Date Received:

Print or type Bidder’s information below:

_____	_____
Name of Bidder	Telephone Number
_____	_____
Street Address	City/State/Zip
_____	_____
Email Address	
_____	_____
Print Name & Title of Authorized Officer	Signature of Authorized Official Date

APPENDIX J, AFFIDAVIT OF NO CONFLICT

IFBC No. 22-R080011JH

COUNTY OF _____
STATE OF _____

BEFORE ME, the undersigned authority, this ____ day of _____, 20__ personally appeared, _____, a principal with full authority to bind _____ (hereinafter the "Affiant"), who being first duly sworn, deposes and says:

(a) is not currently engaged or will not become engaged in any obligations, undertakings or contracts that will require the Affiant to maintain an adversarial role against the County or that will impair or influence the advice, recommendations or quality of work provided to the County; and

(b) has provided full disclosure of all potentially conflicting contractual relationships and full disclosure of contractual relationships deemed to raise a question of conflict(s); and

(c) has provided full disclosure of prior work history and qualifications that may be deemed to raise possible question of conflict(s).

Affiant makes this affidavit for the purpose of inducing Manatee County, a political subdivision of the State of Florida, to enter into an Agreement for Public Works WTPP Office Building Generator.

If applicable, on a separate page Bidder shall disclose the name of any officer, director or agent of Bidder who is also an employee of the County and the name of any County employee who owns, directly or indirectly, any interest in the Bidder's firm or any of its branches. If no conflicts of interest are present, submit a statement to that affect.

Signature

Print Name

SUBSCRIBED to and sworn before me this ____ day of _____, 20__.

[Notary Seal]

Notary Public

My commission expires: _____

Notary Signature

Print Name

Personally known OR produced identification. Type of identification produced _____
_____.

APPENDIX K, BID PRICING FORM

IFBC No.22-R080011JH, Public Works WTPP Office Building Generator

Total Bid Price/Offer for Bid : \$ _____ Complete. Base on a completion time of 120 calendar days.

We, the undersigned, hereby declare that we have carefully reviewed the IFBC Documents in their entirety and with full knowledge and understanding of the Bid information and all its requirements, submit this Bid, which is complete in meeting each specification, term, and condition contained therein.

As Bidder, we understand that the IFBC documents, including but not limited to, all specifications, terms, and conditions shall be made a part of any resulting Agreement between County and the successful Bidder. Failure by successful Bidder to comply with such specifications, terms and conditions shall result in Agreement default, whereupon, the defaulting successful Bidder shall be required to pay for all re-procurement costs, damages, and attorney fees as incurred by County, and agrees to forfeit its bid bond.

Authorized Signature(s): _____

**Name and Title of Above
Signer(s):**

Date: _____

APPENDIX K, BID PRICING FORM

IFBC NO. 22-R080011JH

PROJECT NAME: PUBLIC WORKS WTP OFFICE BUILDING GENERATOR

Bidders must provide prices for each line item for their bid to be considered responsive

ITEM NO.	DESCRIPTION	QTY	U/M	UNIT PRICE	EXTENDED PRICE
1	Mobilization / Demobilization	1	LS		
2	47kw/56KVA Diesel Generator With Fuel Tank and Hurricane Cover	1	LS		
3	Generator Pad	1	LS		
4	Fencing	1	LS		
5	Receptacles/Outlets	4	EA		
6	Conduit for 2/0 Wire	150	FT		
7	Wiring 2/0	600	FT		
8	ATS	1	LS		
9	400amp Rated Disconnect With 150amp Fuse	1	LS		
10	Conduit For 3/0	70	FT		
11	Wiring 3/0	280	FT		
SUBTOTAL BASE BID					
Contract Contingency (Used only with County Approval)		1	10%		
TOTAL CONTRACT AWARD (Including 10% Contract Contingency)					

Bidders Name _____

Bidders Signature _____

*To be considered responsive, it is the sole responsibility of the bidder to correctly calculate and manually enter all sub-total, contingency and total bid price fields.

SECTION C, BID ATTACHMENTS

BID ATTACHMENT 1, INSURANCE AND BOND REQUIREMENTS

The CONTRACTOR will not commence work under the resulting Agreement until all insurance coverages indicated by an “X” herein have been obtained. The CONTRACTOR shall obtain and submit to the Procurement Division within ten (10) calendar days from the date of notice of intent to award, at its expense, the following minimum amounts of insurance (inclusive of any amounts provided by an umbrella or excess policy): Work under this Agreement cannot commence until all insurance coverages indicated herein have been obtained on a standard ACORD form (inclusive of any amounts provided by an umbrella or excess policy):

Automobile Liability Insurance Required Limits

Coverage must be afforded under a per occurrence policy form including coverage for all owned, hired and non-owned vehicles for bodily injury and property damage of not less than:

- \$1,000,000 Combined Single Limit; OR
- \$ 500,000 Bodily Injury and \$500,000 Property Damage
- \$10,000 Personal Injury Protection (No Fault)
- \$500,000 Hired, Non-Owned Liability
- \$10,000 Medical Payments

This policy shall contain severability of interests’ provisions.

Commercial General Liability Insurance Required Limits (per Occurrence form only; claims-made form is not acceptable)

Coverage shall be afforded under a per occurrence policy form, policy shall be endorsed and name ‘Manatee County, a political subdivision of the State of Florida’ as an Additional Insured, and include limits not less than:

- \$1,000,000 Single Limit Per Occurrence
- \$2,000,000 Aggregate
- \$1,000,000 Products/Completed Operations Aggregate
- \$1,000,000 Personal and Advertising Injury Liability
- \$50,000 Fire Damage Liability
- \$10,000 Medical Expense, and
- \$1,000,000, Third Party Property Damage
- \$ Project Specific Aggregate (Required on projects valued at over \$10,000,000)

This policy shall contain severability of interests’ provisions.

Employer’s Liability Insurance

Coverage limits of not less than:

- \$100,000 Each Accident
- \$500,000 Disease Each Employee
- \$500,000 Disease Policy Limit

- Worker’s Compensation Insurance**
- US Longshoremen & Harbor Workers Act**
- Jones Act Coverage**

Coverage limits of not less than:

- Statutory workers’ compensation coverage shall apply for all employees in compliance with the laws and statutes of the State of Florida and the federal government.
- If any operations are to be undertaken on or about navigable waters, coverage must be included for the US Longshoremen & Harbor Workers Act and Jones Act.

Should ‘leased employees’ be retained for any part of the project or service, the employee leasing agency shall provide evidence of Workers’ Compensation coverage and Employer’s Liability coverage for all personnel on the worksite and in compliance with the above Workers’ Compensation requirements. NOTE: Workers’ Compensation coverage is a firm requirement. Elective exemptions are considered on a case-by-case basis and are approved in a very limited number of instances.

Aircraft Liability Insurance Required Limits

Coverage shall be afforded under a per occurrence policy form, policy shall be endorsed and name ‘Manatee County a political subdivision of the State of Florida’ as an Additional Insured, and include limits not less than:

- \$ Each Occurrence Property and Bodily Injury with no less than \$100,000 per passenger each occurrence or a ‘smooth’ limit.
- \$ General Aggregate.

Un-Manned Aircraft Liability Insurance (Drone)

Coverage shall be afforded under a per occurrence policy form, policy shall be endorsed and name ‘Manatee County a political subdivision of the State of Florida’ as an Additional Insured, and include limits not less than:

- \$ Each Occurrence Property and Bodily Injury; Coverage shall specifically include operation of Unmanned Aircraft Systems (UAS), including liability and property damage.
- \$ General Aggregate

Installation Floater Insurance

When the contract or agreement **does not** include construction of, or additions to, above ground building or structures, but does involve the installation of machinery or equipment, Installation Floater Insurance shall be afforded under a per occurrence policy form, policy shall be endorsed and name “Manatee County, a political subdivision of the State of Florida” as an Additional Insured, and include limits not less than:

- 100% of the completed value of such addition(s), building(s), or structure(s)

Professional Liability and/or Errors and Omissions (E&O) Liability Insurances

Coverage shall be afforded under either an occurrence policy form or a claims-made policy form. If the coverage form is on a claims-made basis, then coverage must be maintained for a minimum of three years from termination of date of the contract. Limits must not be less than:

- \$ 1,000,000 Bodily Injury and Property Damage Each Occurrence
- \$ 2,000,000 General Aggregate

Builder's Risk Insurance

When the contract or agreement includes the construction of roadways and/or the addition of a permanent structure or building, including the installation of machinery and/or equipment, Builder's Risk Insurance shall be afforded under a per occurrence policy form, policy shall be endorsed and name "Manatee County, a political subdivision of the State of Florida" as an Additional Insured, and include limits not less than:

- An amount equal to 100% of the completed value of the project, or the value of the equipment to be installed
- The policy shall not carry a self-insured retention/deductible greater than \$10,000

Coverage shall be for all risks and include, but not be limited to, storage and transport of materials, equipment, supplies of any kind whatsoever to be used on or incidental to the project, theft coverage, and Waiver of Occupancy Clause Endorsement, where applicable.

Cyber Liability Insurance

Coverage shall comply with Florida Statute 501.171, shall be afforded under a per occurrence policy form, policy shall be endorsed and name 'Manatee County, a political subdivision of the State of Florida' as an Additional Insured, and include limits not less than:

- \$ Security Breach Liability
- \$ Security Breach Expense Each Occurrence
- \$ Security Breach Expense Aggregate
- \$ Replacement or Restoration of Electronic Data
- \$ Extortion Threats
- \$ Business Income and Extra Expense
- \$ Public Relations Expense

NOTE: Policy must not carry a self-insured retention/deductible greater than \$25,000.

Hazardous Materials Insurance (As Noted Below)

Hazardous materials include all materials and substances that are currently designated or defined as hazardous by the law or rules of regulation by the State of Florida or federal government.

All coverage shall be afforded under either an occurrence policy form or a claims-made policy form, and the policy shall be endorsed and name 'Manatee County, a political subdivision of the

State of Florida' as an Additional Insured. If the coverage form is on a claims-made basis, then coverage must be maintained for a minimum of three years from termination of date of the contract. Limits must not be less than:

Pollution Liability

Amount equal to the value of the contract, subject to a \$1,000,000 minimum, for Bodily Injury and Property Damage to include sudden and gradual release, each claim and aggregate.

Asbestos Liability (If handling within scope of Contract)

Amount equal to the value of the contract, subject to a \$1,000,000 minimum, for Bodily Injury and Property Damage to include sudden and gradual release, each claim and aggregate.

Disposal

When applicable, CONTRACTOR shall designate the disposal site and furnish a Certificate of Insurance from the disposal facility for Environmental Impairment Liability Insurance covering liability.

- Amount equal to the value of the contract, subject to a \$1,000,000 minimum, for Liability for Sudden and Accidental Occurrences, each claim and an aggregate.
- Amount equal to the value of the contract, subject to a \$1,000,000 minimum, for Liability for Non-Sudden and Accidental Occurrences, each claim and an aggregate.

Hazardous Waste Transportation Insurance

CONTRACTOR shall designate the hauler and have the hauler furnish a Certificate of Insurance for Automobile Liability insurance with Endorsement MCS-90 for liability arising out of the transportation of hazardous materials. EPA identification number shall be provided.

All coverage shall be afforded under either an occurrence policy form or a claims-made policy form and the policy shall be endorsed and name "Manatee County, a political subdivision of the State of Florida" as an Additional Insured. If the coverage form is on a claims-made basis, then coverage must be maintained for a minimum of three years from termination of date of the contract. Limits must not be less than:

- Amount equal to the value of the contract, subject to a \$1,000,000 minimum, per accident.

Liquor Liability Insurance

Coverage shall be afforded under a per occurrence policy form, policy shall be endorsed and name "Manatee County, a political subdivision of the State of Florida" as an Additional Insured, and include limits not less than:

- \$1,000,000 Each Occurrence and Aggregate

Garage Keeper’s Liability Insurance

Coverage shall be required if the maintenance, servicing, cleaning or repairing of any County motor vehicles is inherent or implied within the provision of the contract.

Coverage shall be afforded under a per occurrence policy form, policy shall be endorsed and name “Manatee County, a political subdivision of the State of Florida” as an Additional Insured, and include limits not less than:

- Property and asset coverage in the full replacement value of the lot or garage.

Bailee’s Customer Liability Insurance

Coverage shall be required for damage and/or destruction when County property is temporarily under the care or custody of a person or organization, including property that is on, or in transit to and from the person or organization’s premises. Perils covered should include fire, lightning, theft, burglary, robbery, explosion, collision, flood, earthquake and damage or destruction during transportation by a carrier.

Coverage shall be afforded under a per occurrence policy form, policy shall be endorsed and name “Manatee County, a political subdivision of the State of Florida” as an Additional Insured, and include limits not less than:

- Property and asset coverage in the full replacement value of the County asset(s) in the CONTRACTOR’S care, custody and control.

Hull and Watercraft Liability Insurance

Coverage shall be afforded under a per occurrence policy form, policy shall be endorsed and name “Manatee County, a political subdivision of the State of Florida” as an Additional Insured, and include limits not less than:

- \$ Each Occurrence
- \$ General Aggregate
- \$ Fire Damage Liability
- \$10,000 Medical Expense, and
- \$ Third Party Property Damage
- \$ Project Specific Aggregate (Required on projects valued at over \$10,000,000)

Other [Specify]

BOND REQUIREMENTS

Bid Bond

A Bid Bond in the amount of \$ _____ or 5% of the total offer. Bid bond shall be submitted with the sealed response and shall include project name, location, and / or address and project number. In lieu of the bond, the bidder may file an alternative form of security in the amount of \$ _____ or 5% of the total offer. in the form of a money order, a certified check, a cashier's check, or an irrevocable letter of credit issued to Manatee County. NOTE: A construction project over \$200,000 requires a Bid Bond in the amount of 5% of the total bid offer.

Payment and Performance Bond

A Payment and Performance Bond shall be submitted by Successful Bidder for 100% of the award amount and shall be presented to Manatee County within ten (10) calendar days of issuance of the notice of intent to award. NOTE: A construction project over \$200,000 requires a Payment and Performance Bond.

[Remainder of Page Intentionally Left Blank]

INSURANCE REQUIREMENTS

I. THE POLICIES BELOW ARE TO CONTAIN, OR BE ENDORSED TO CONTAIN, THE FOLLOWING PROVISIONS:

1. Commercial General Liability and Automobile Liability Coverages

- a. **“Manatee County, a Political Subdivision of the State of Florida,” is to be named as an Additional Insured in respect to:** Liability arising out of activities performed by or on behalf of the successful Bidder, his agents, representatives, and employees; products and completed operations of the successful Bidder; or automobiles owned, leased, hired or borrowed by the successful Bidder. The coverage shall contain no special limitation(s) on the scope of protection afforded to the County, its officials, employees or volunteers.

In addition to furnishing a Certificate of Insurance, the successful Bidder shall provide the endorsement that evidences Manatee County being listed as an Additional Insured. This can be done in one of two ways: (1) an endorsement can be issued that specifically lists “Manatee County, a Political Subdivision of the State of Florida,” as Additional Insured; or, (2) an endorsement can be issued that states that all Certificate Holders are Additional Insured with respect to the policy.

- b. The successful Bidder's insurance coverage shall be primary insurance with respect to the County, its officials, employees and volunteers. Any insurance or self-insurance maintained by the County, its officials, employees or volunteers shall be excess of successful Bidder's insurance and shall be non-contributory.
- c. The insurance policies must be on an occurrence form.

2. Workers' Compensation and Employers' Liability Coverages

The insurer shall agree to waive all rights of subrogation against the County, its officials, employees and volunteers for losses arising from work performed by the successful Bidder for the County.

II. GENERAL INSURANCE PROVISIONS APPLICABLE TO ALL POLICIES:

1. Prior to the execution of contract, or issuance of a Purchase Order, and then annually upon the anniversary date(s) of the insurance policy's renewal date(s) for as long as this contract remains in effect, successful Bidder shall furnish the County with a Certificate(s) of Insurance (using an industry accepted certificate form, signed by the Issuer, with applicable endorsements, and containing the solicitation or contract number, and title or description) evidencing the coverage set forth above and naming “Manatee County, a Political Subdivision of the State of Florida” as an Additional Insured on the applicable coverage(s) set forth above.

2. If the policy contains an aggregate limit, confirmation is needed in writing (letter, email, etc.) that the aggregate limit has not been eroded to procurement representative when supplying Certificate of Insurance.

In addition, when requested in writing from the County, successful Bidder will provide the County with a certified copy of all applicable policies. The address where such certificates and certified policies shall be sent or delivered is as follows:

Manatee County, a Political Subdivision of the State of Florida
Attn: Risk Management Division
1112 Manatee Avenue West, Suite 969
Bradenton, FL 34205

3. The project's solicitation number and title shall be listed on each certificate.
4. successful Bidder shall provide thirty (30) days written notice to the Risk Manager of any cancellation, non-renewal, termination, material change, or reduction in coverage of any insurance policies to procurement representative including solicitation number and title with all notices.
5. successful Bidder agrees that should at any time successful Bidder fail to meet or maintain the required insurance coverage(s) as set forth herein, the County may terminate this contract.
6. The successful Bidder waives all subrogation rights against Manatee County, a Political Subdivision of the State of Florida, for all losses or damages which occur during the contract and for any events occurring during the contract period, whether the suit is brought during the contract period or not.
7. The successful Bidder has sole responsibility for all insurance premiums and policy deductibles.
8. It is the successful Bidder's responsibility to ensure that his agents, representatives and subcontractors comply with the insurance requirements set forth herein. successful Bidder shall include his agents, representatives, and subcontractors working on the project or at the worksite as insured under its policies, or successful Bidder shall furnish separate certificates and endorsements for each agent, representative, and subcontractor working on the project or at the worksite. All coverages for agents, representatives, and subcontractors shall be subject to all of the requirements set forth to the procurement representative.
9. All required insurance policies must be written with a carrier having a minimum A.M. Best rating of A- FSC VII or better. In addition, the County has the right to review the successful Bidder's deductible or self-insured retention and to require that it be reduced or eliminated.

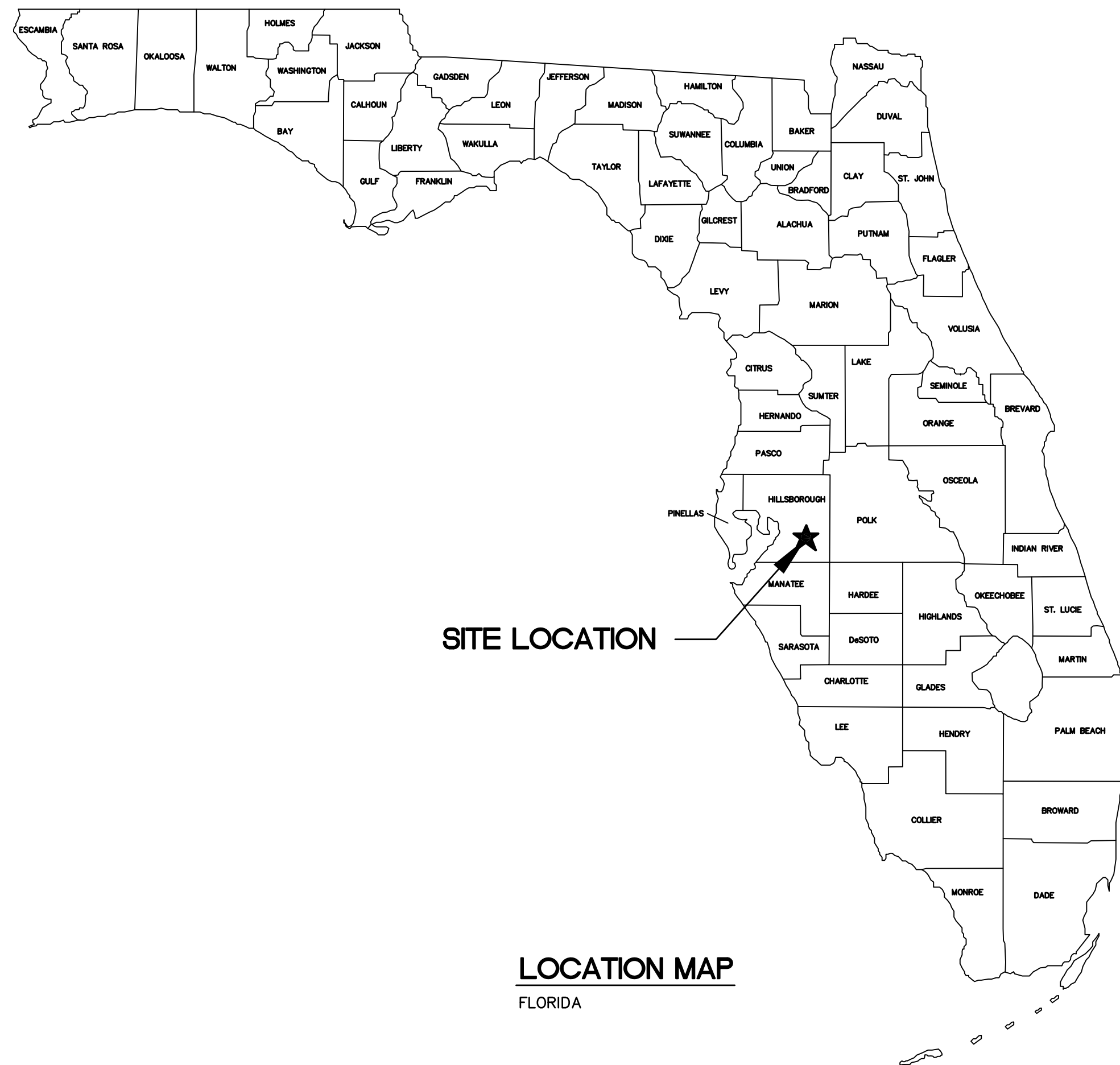
- III.** Successful Bidder understands and agrees that the stipulated limits of coverage listed herein in this insurance section shall not be construed as a limitation of any potential liability to the County, or to others, and the County's failure to request evidence of this insurance coverage shall not be construed as a waiver of successful Bidder's obligation to provide and maintain the insurance coverage specified.
- IV.** The enclosed Hold Harmless Agreement shall be signed by the successful Bidder and shall become a part of the contract.
- V.** Successful Bidder understands and agrees that the County does not waive its immunity, and nothing herein shall be interpreted as a waiver of the County's rights, including the limitation of waiver of immunity, as set forth in Florida Statutes 768.28, or any other statutes, and the County expressly reserves these rights to the full extent allowed by law.
- VI.** No award shall be made until the Procurement Division has received the Certificate of Insurance and Hold Harmless Agreement in accordance with this section.

[Remainder of page intentionally left blank]

BID ATTACHMENT 2, TECHNICAL SPECIFICATIONS

PUBLIC WORKS WTPP OFFICE BUILDING GENERATOR

8500 69TH ST E, PALMETTO, FL 34221



SITE LOCATION



SITE MAP

SHEET SCHEDULE	
SHEET	DESCRIPTION
COVER	PROJECT NAME, LOCATION and SITE MAPS, SHEET SCHEDULE
E1.0	ELECTRICAL SYMBOLS, LEGENDS AND GENERAL NOTES
E3.0	ELECTRICAL SITE PLAN
E5.0	ELECTRICAL ONE-LINE RISER DIAGRAM
E6.0	ELECTRICAL SPECIFICATIONS
E6.1	ELECTRICAL SPECIFICATIONS
E7.0	ELECTRICAL DETAILS

To the best of the engineer's knowledge, said plans and specifications comply with the applicable building codes and the applicable minimum fire safety standards as determined in accordance with Chapters 553 and 633, Florida Statutes.

REVIEW SET
 (NOT FOR CONSTRUCTION)
 03/21/2022

ELECTRICAL SYMBOLS AND ABBREVIATIONS

EQUIPMENT

SYMBOL	DESCRIPTION
	DISTRIBUTION PANELBOARD AND CABINET - RECESSED MOUNT
	DISTRIBUTION PANELBOARD AND CABINET - SURFACE MOUNT
	BRANCH PANELBOARD AND CABINET - RECESSED MOUNT
	BRANCH PANELBOARD AND CABINET - SURFACE MOUNT
	LOAD CENTER - SURFACE MOUNT
	LOAD CENTER - RECESSED MOUNT
	DENOTES PANEL/PANELBOARD DESIGNATION
	MOTOR "X" INDICATES HORSEPOWER "Y" INDICATES PHASE
	CAPACITOR "X" INDICATES KVAR
	DISCONNECT SWITCH - FUSED "X" = RATING, "Y" = FUSE SIZE
	DISCONNECT SWITCH - NON-FUSED
	DISCONNECT SWITCH - CIRCUIT BREAKER
	MOTOR STARTER
	COMBINATION MOTOR STARTER
	DRY TYPE TRANSFORMER - "XX" INDICATES KVA
	METER SOCKET
	CURRENT TRANSFORMER METER SOCKET
	TRANSIENT VOLTAGE SURGE SUPPRESSOR
	GENERATOR
	TRANSFER SWITCH ATS = AUTOMATIC TRANSFER SWITCH MTS = MANUAL TRANSFER SWITCH N = NORMAL POWER E = EMERGENCY POWER L = LOAD
	WIREWAY
	BUSWAY
	GROUND CONNECTION
	HORSEPOWER RATED MANUAL MOTOR STARTER TOGGLE SWITCH WITH THERMAL OVERLOAD PROTECTION "X" INDICATES AS FOLLOWS NONE - SINGLE POLE 2 - 2 POLE 3 - 3 POLE
	HORSEPOWER RATED MANUAL MOTOR STARTER TOGGLE SWITCH WITH THERMAL OVERLOAD PROTECTION WITH PILOT LIGHT "X" INDICATES AS FOLLOWS NONE - SINGLE POLE 2 - 2 POLE 3 - 3 POLE "Y" INDICATES AS FOLLOWS Y - YELLOW LENS G - GREEN LENS R - RED LENS W - WHITE LENS B - BLUE LENS A - AMBER
	LOW VOLTAGE DRAWOUT TYPE CIRCUIT BREAKER "X" INDICATES AS FOLLOWS A - AIR TYPE S - SFS TYPE V - VACUUM TYPE
	MOLDED CASE CIRCUIT BREAKER
	FUSE
	DRAW OUT MOTOR STARTER ASSEMBLY

RACEWAY SYSTEM

SYMBOL	DESCRIPTION
	CONCEALED CONDUIT
	4" CONDUIT SLEEVE WITH BUSHINGS THRU WALL ABOVE CEILING
	LETTER DESIGNATION REFERS TO SYSTEM (SEE ABBREVIATIONS)
	QUANTITY OF CONDUCTORS OR CABLES IN CONDUIT "F50" DENOTES THE FEEDER SIZE "A-XX" DENOTES PANEL AND CIRCUIT #
	CONDUIT TURNED UP
	CONDUIT TURNED DOWN
	JUNCTION OR PULL BOX
	CABLE TRAY
	U/G CONDUIT TURNED UP
	U/G CONDUIT TURNED DOWN

LIGHTING

SYMBOL	DESCRIPTION
X-2-C	X = FIXTURE TYPE, 2 = CIRCUIT NUMBER, C = SWITCH LEG
	F - FLUORESCENT
	K - INCANDESCENT
	H - H.I.D.
	FLUORESCENT STRIP TYPE FIXTURE WITH EMERGENCY BATTERY BALLAST
	FLUORESCENT TYPE FIXTURE
	CEILING MOUNT RECESSED LIGHT FIXTURE (ROUND OR SQUARE, SEE SCHEDULE)
	INTERIOR WALL MOUNT FIXTURE
	EXTERIOR WALL MOUNT FIXTURE
	LIGHTED BOLLARD FIXTURE (ROUND OR SQUARE, SEE SCHEDULE)
	STEPLIGHT FIXTURE
	LIGHT POLE WITH ONE FIXTURE (FIXTURE LOCATION AND SPACING AS SHOWN)
	2 HEAD POLE LIGHT. LOCATION AND SPACING AS SHOWN.
	3 HEAD POLE LIGHT. LOCATION AND SPACING AS SHOWN.
	EXIT LIGHT - CEILING MOUNTED ARROWS DENOTE EGRESS PATH
	EXIT LIGHT - WALL MOUNTED ARROWS DENOTE EGRESS PATH
	EMERGENCY WALL MOUNT W/ BATTERY UNIT
	EXIT / EMERGENCY WALL MOUNT W/ BATTERY UNIT ARROWS DENOTE EGRESS PATH
	EMERGENCY WALL MOUNT REMOTE HEAD

DEVICES

SYMBOL	DESCRIPTION
	DUPLEX RECEPTACLE - NORMAL CIRCUIT "X" INDICATES AS FOLLOWS: NONE = 20 AMP, 125VAC GFI = 20 AMP, 125VAC, GROUND FAULT INTERRUPTER TYPE HM = 20 AMP, 125VAC, HORIZONTAL MOUNT TYPE IG = 20 AMP, 125VAC, ISOLATED GROUND TYPE S = 20 AMP, 125VAC, TVSS PROTECTION TYPE WP = 20 AMP, 125VAC, WEATHERPROOF TYPE
	DOUBLE DUPLEX RECEPTACLE
	DUPLEX RECEPTACLE - 1 OUTLET CONTROLLED BY SWITCH
	DUPLEX RECEPTACLE - 2 OUTLETS CONTROLLED BY SWITCH
	DOUBLE DUPLEX RECEPTACLE - 1 OUTLET CONTROLLED BY SWITCH
	DOUBLE DUPLEX RECEPTACLE - 2 OUTLETS CONTROLLED BY SWITCH
	DUPLEX RECEPTACLE - ABOVE COUNTER. 44" AFF
	DOUBLE DUPLEX RECEPTACLE - ABOVE COUNTER. 44" AFF
	SINGLE RECEPTACLE - SEE DRAWINGS AND SPECIFICATIONS.
	SPECIAL RECEPTACLE - SEE DRAWINGS AND SPECIFICATIONS.
	SINGLE RECEPTACLE - FLOOR, SEE DRAWINGS AND SPECIFICATIONS.
	DUPLEX RECEPTACLE - FLOOR, SEE DRAWINGS AND SPECIFICATIONS.
	CLOCK RECEPTACLE - 120VAC
	TOGGLE SWITCH - SINGLE POLE
	TOGGLE SWITCH - DOUBLE POLE
	TOGGLE SWITCH - 3-WAY
	TOGGLE SWITCH - 4-WAY
	TOGGLE SWITCH - 0- INDICATES TYPE T: TIMER, K: KEY OPERATED
	SWITCH - DIMMER
	SWITCH - FAN SPEED CONTROL
	WALL MOUNTED OCCUPANCY SENSOR
	CEILING MOUNTED OCCUPANCY SENSOR x = TYPE, SEE PLANS
	HANDICAP PUSH BUTTON DOOR SWITCH
	JUNCTION BOX
	HVAC THERMOSTAT
	HVAC HUMIDISTAT
	FURNITURE POWER POLE
	FURNITURE CABLE MANAGEMENT POLE.
	MUSHROOM HEAD RED PUSH BUTTON

THESE DOCUMENTS HAVE BEEN PREPARED BASED ON INFORMATION PROVIDED BY OTHERS. THE CONSULTANT HAS NOT VERIFIED THE ACCURACY AND/OR COMPLETENESS OF THIS INFORMATION AND SHALL NOT BE RESPONSIBLE FOR ANY ERRORS OR OMISSIONS THAT MAY BE INCORPORATED AS A RESULT OF ERRONEOUS INFORMATION PROVIDED BY OTHERS. NOTIFY THIS ENGINEER IMMEDIATELY OF ANY DISCREPANCIES FOUND.

FIRE ALARM SYSTEM

SYMBOL	DESCRIPTION
	HORN / STROBE O = CEILING MOUNT □ = WALL MOUNT
	HORN O = CEILING MOUNT □ = WALL MOUNT
	SPEAKER/STROBE O = CEILING MOUNT □ = WALL MOUNT
	STROBE O = CEILING MOUNT □ = WALL MOUNT
	BELL O = CEILING MOUNT □ = WALL MOUNT
	SMOKE DETECTOR
	HEAT DETECTOR
	PULL STATION
	ELEVATOR WARNING LIGHT
	FIREFIGHTER PHONE JACK
	TAMPER SWITCH
	FLOW SWITCH
	F.A.A.P. REMOTE ANNUNCIATOR
	FIRE ALARM CONTROL PANEL
	DOOR RELEASE DEVICE - FIRE ALARM ACTIVATED
	SPEAKER - FIRE ALARM
	AUTOMATIC DUCT DETECTOR ("X" DENOTES AS FOLLOWS): NONE = PHOTO ELECTRIC TYPE S = SUPPLY R = RETURN
	EQUIPMENT SHUT DOWN RELAY
	REMOTE DUCT DETECTOR INDICATOR LIGHT X = AIR HANDLER / ROOF TOP UNIT
	FSS FIRE SUPPRESSION SYSTEM

TELEVISION SYSTEM

SYMBOL	DESCRIPTION
	TELEVISION ROUGH-IN

GENERAL NOTES (APPLY TO ALL DRAWINGS):

- THE WORK INDICATED ON THESE DRAWINGS IS DIAGRAMMATIC AND IS INTENDED TO CONVEY THE SCOPE OF WORK AND INDICATE THE GENERAL ARRANGEMENT OF EQUIPMENT AND DEVICES FOR A COMPLETE SYSTEM IN EVERY RESPECT AND DETAIL, TESTED AND LEFT READY IN PERFECT OPERATING CONDITION FOR THE OWNER'S USE. MATERIALS AND EQUIPMENT SHALL BE LISTED BY UNDERWRITERS' LABORATORIES AND SHALL BE INSTALLED IN ACCORDANCE WITH SUCH LISTINGS. INSTALLATIONS SHALL BE MADE IN ACCORDANCE WITH MANUFACTURER'S RECOMMENDATIONS. WORK SHALL MEET THE REQUIREMENTS OF THE SPECIFICATIONS AND CONFORM TO THE NEC (NFPA 70 & 72) AND ALL APPLICABLE CODES, AND BE COMPLETED BY A QUALIFIED, EXPERIENCED, LICENSED ELECTRICAL CONTRACTOR.
- THE ENGINEER HAS MADE AN EFFORT TO COORDINATE WORK WITH OTHER TRADES AND IDENTIFY ANY AND ALL CONFLICTS. THE CONTRACTOR IS RESPONSIBLE TO COORDINATE FIELD WORK BETWEEN TRADES AND TO IDENTIFY FIELD CONDITIONS PRIOR TO INSTALLATION AND REPORT ANY CONFLICTS TO THE ENGINEER.
- FOR BIDDING PURPOSES, WHEN A CONFLICT OCCURS BETWEEN THE SPECIFICATIONS AND DRAWINGS, THE ITEMS OF GREATER QUANTITY AND/OR COST SHALL BE PROVIDED. ANY SUCH CONFLICTS SHALL BE BROUGHT TO THE ATTENTION OF THE ENGINEER FOR RESOLUTION.
- CONTRACTOR SHALL VERIFY THE LOCATION AND ELECTRICAL REQUIREMENTS OF ALL EQUIPMENT FURNISHED BY OTHER TRADES PRIOR TO INSTALLATION. COORDINATE ROUGH-IN INSTALLATION WITH EQUIPMENT DETAILS.
- ALL OPENINGS IN FIRE AND SMOKE PARTITIONS SHALL BE SEALED AS REQUIRED BY THE NEC/ FLORIDA BUILDING CODE. PROVIDE UL LISTED COMPOUND TO MATCH PARTITION RATING.
- DO NOT SCALE DRAWINGS. VERIFY FIELD CONDITIONS PRIOR TO AND DURING CONSTRUCTION FOR EXACT DEVICE / EQUIPMENT LOCATION.
- DEMOLITION WORK: PROVIDE DEMOLITION AND REMOVAL WORK AS INDICATED OR NEEDED. EQUIPMENT THAT IS TO BE REMOVED INCLUDES ALL ASSOCIATED WIRING, BOXES AND CONDUIT BACK TO SOURCE. CLOSE ALL UNUSED OPENINGS IN JUNCTION BOXES THAT REMAIN WITH SUITABLE PLUG OR COVER. WHEN REMOVING OR RELOCATING LIGHT FIXTURES OR OTHER DEVICES, FIELD VERIFY REMAINING DEVICES IN THE SAME CIRCUIT AND RECONNECT FOR CONTINUED SERVICE. EXISTING ELECTRICAL WORK INTERFERING WITH NEW CONSTRUCTION SHALL BE RELOCATED OR REROUTED TO SUIT FINAL INSTALLATION. CUTTING AND PATCHING REQUIRED SHALL BE DONE TO RESTORE AREAS TO ORIGINAL CONDITION.
- CONTRACTOR SHALL PROVIDE TO LOCAL AHJ OR PERMITTING AGENCY A COPY OF ALL MAJOR EQUIPMENT CUT SHEETS AT TIME OF APPLICATION IF REQUESTED.
- LIGHT POLES, AND BASE DESIGNS ARE TO BE COMPLETED BY THE LIGHTING MANUFACTURER AND ELECTRICAL CONTRACTOR. THE ELECTRICAL CONTRACTOR SHALL PROVIDE SIGNED AND SEALED LIGHT POLE AND BASE DRAWINGS MEETING THE FBC WIND LOAD CRITERIA CH 16.
- ALL AS-BUILT DRAWINGS SHALL BE PROVIDED TO THE OWNER WITHIN 90 DAYS OF THE CERTIFICATE OF OCCUPANCY PER FLORIDA ENERGY CODE 405 AND 408. AS-BUILT DRAWINGS SHALL INCLUDE ALL PRIMARY AND SECONDARY FEEDERS WITH SIZES, PANEL SCHEDULES, EQUIPMENT DISCONNECTS WITH SIZES AND BREAKERS/FUSES, AND ALL CONNECTED BUILDING EQUIPMENT. ENSCRIBED PLAQUES WITH THE VALUE, ANALYSIS DATE, PANEL IDENTIFICATION, AND VOLTAGE SHALL BE PLACED ON EACH NEW PANEL BOARD ALONG WITH A TYPE WRITTEN SCHEDULE THAT IS LAMINATED. A COPY OF THE PANEL SCHEDULES SHALL BE PROVIDED TO THE OWNER FOR FUTURE REFERENCE ALONG WITH THE AS-BUILT PLANS.

NOTE:

THESE ARE STANDARD SYMBOLS AND MAY NOT ALL APPEAR ON THE PROJECT DRAWINGS; HOWEVER WHEREVER THE SYMBOL APPEARS ON THE PROJECT DRAWINGS, THE ITEM SHALL BE PROVIDED AND INSTALLED

DOOR SECURITY SYSTEM

SYMBOL	DESCRIPTION
	DOOR CONTACT ROUGH-IN
	PROXIMITY CARD READER ROUGH-IN
	ELECTRO-MAGNETIC DOOR LOCK
	DURESS / PANIC BUTTON

COMMUNICATION SYSTEMS

SYMBOL	DESCRIPTION
	WALL MOUNTED VOICE OUTLET
	WALL MOUNTED DATA OUTLET
	WALL MOUNTED COMBINATION VOICE / DATA OUTLET
	FLOOR MOUNTED VOICE OUTLET.
	FLOOR MOUNTED DATA OUTLET.
	FLOOR MOUNTED COMBINATION VOICE / DATA OUTLET.
	TELEPHONE CABINET
	COMMUNICATIONS CABINET

PAGING / AUDIO SYSTEM

SYMBOL	DESCRIPTION
	LOUDSPEAKER - CEILING MOUNTED CONTROLLED BY VOLUME CONTROL "1"
	VOLUME CONTROL - CONTROLS SPEAKERS "1"
	PAGING ROUGH-IN
	AUDIO JACK ROUGH-IN
	MICROPHONE ROUGH-IN
	PROJECTOR ROUGH-IN

DRAWING SYMBOLS

	DETAIL NUMBER
	DRAWING NUMBER WHERE DRAWN
	SECTION LETTER
	DRAWING NUMBER WHERE DRAWN
	REFER TO LIKE NUMBER NOTES.
	REFER TO LIKE NUMBER NOTES.

ABBREVIATIONS

A	AMPERE
AC	AIR CONDITIONING OR ALTERNATING CURRENT
ACC	ACCESS
AF	AMPERE FRAME
AFF	ABOVE FINISHED FLOOR
AFG	ABOVE FINISHED GRADE
AHJ	AUTHORITY HAVING JURISDICTION
AHU	AIR HANDLER UNIT
AM	AMMETER
ARCH	ARCHITECT
AT	AMPERE TRIP
ATC	AUTOMATIC TEMPERATURE CONTROL
ATS	AUTOMATIC TRANSFER SWITCH
AWG	AMERICAN WIRE GAUGE
C	CONDUIT
CAT	CATEGORY
CB	CIRCUIT BREAKER
CH	CHILLER
CKT	CIRCUIT
CL	CENTER LINE
CLF	CURRENT-LIMITING FUSE
CM	CEILING MOUNTED
CNTL	CONTROL
CJ	COPPER
DWG(S)	DRAWING(S)
EC	ELECTRICAL CONTRACTOR
EF	EXHAUST FAN
EM	EMERGENCY
EMS	ENERGY MANAGEMENT SYSTEM
EMT	ELECTRICAL METALLIC TUBING
EPO	EMERGENCY POWER OFF
EWC	ELECTRIC WATER COOLER
EWH	ELECTRIC WATER HEATER
EX	EXISTING TO REMAIN
FA	FIRE ALARM
FACP	FIRE ALARM CONTROL PANEL
FACC	FIRE ALARM COMMAND CENTER
FATC	FIRE ALARM TERMINAL CABINET
FLR	FLOOR
FMC	FURNISHED BY MECHANICAL CONTRACTOR
FO	FIBER OPTIC
FOTC	FIBER OPTIC TERMINAL CABINET
FSS	FIRE SUPPRESSION SYSTEM
FWE	FURNISHED WITH EQUIPMENT
GFI	GROUND FAULT INTERRUPTER
GND,G	GROUND
GRS	GALVANIZED RIGID STEEL CONDUIT
HOA	HAND-OFF-AUTO
HACR	HEATING/AIR CONDITIONING-RATED
HID	HIGH INTENSITY DISCHARGE
HPF	HIGH POWER FACTOR
HPS	HIGH PRESSURE SODIUM
HZ	HERTZ
HP	HORSEPOWER
IG	ISOLATED GROUND
IMC	INTERMEDIATE METALLIC CONDUIT
JB	JUNCTION BOX
KVAIC	KILO AMPERE INTERRUPTING CAPACITY
KMIL	THOUSAND CIRCULAR MILS
KVA	KILOVOLT AMPERE
KW	KILOWATT
LC	LIGHTING CONTACTOR
MC	MECHANICAL CONTRACTOR
MCC	MOTOR CONTROL CENTER
M-G	MOTOR GENERATOR
MDP	MAIN DISTRIBUTION PANEL
MH	METAL HALIDE
MOD	MOTOR OPERATED DAMPER OR DOOR MOUNTED
MTD	MOUNTED
NC	NORMALLY CLOSED
NEC	NATIONAL ELECTRICAL CODE
NEMA	NATIONAL ELECTRICAL MANUFACTURERS ASSOCIATION
NF	NON-FUSED
NFPA	NATIONAL FIRE PROTECTION ASSOCIATION
NIC	NOT IN CONTRACT
NL	NIGHT LIGHT
NO	NORMALLY OPEN
NTS	NOT TO SCALE
OCPD	OVER CURRENT PROTECTIVE DEVICE
PNL	PANEL
PH	PHASE
PB	PUSHBUTTON
PE	PHOTOELECTRIC CONTROLLER
PC	PLUMBING CONTRACTOR
PVC	POLYVINYL CHLORIDE CONDUIT
RTU	ROOF TOP UNIT
SCH	SCHEDULE
SEC	SECURITY
SPD	SURGE PROTECTION DEVICE
SW	SWITCH
SWGR	SWITCHGEAR
TEL	TELEPHONE
TBB	TELEPHONE BACKBOARD
TVSS	TRANSIENT VOLTAGE SURGE SUPPRESSOR
TC	TIME CLOCK
XFMR	TRANSFORMER
XFR	TRANSFER
TYP	TYPICAL
UG	UNDERGROUND
UH	UNIT HEATER
UL/L	UNDERWRITERS LABORATORIES
UPS	UNINTERRUPTIBLE POWER SUPPLY
U.O.N.	UNLESS OTHERWISE NOTED
VT	VAPORTIGHT
VAV	VARIABLE AIR VOLUME
VFD	VARIABLE FREQUENCY DRIVE
VSD	VARIABLE SPEED DRIVE
V	VOLT
W	WATT
WP	WEATHER PROOF

REVIEW SET

(NOT FOR CONSTRUCTION)
03/21/2022

ATP ENGINEERING SOUTH
BRADENTON, FLORIDA
ENGR. BUSINESS #8908
941-751-6485

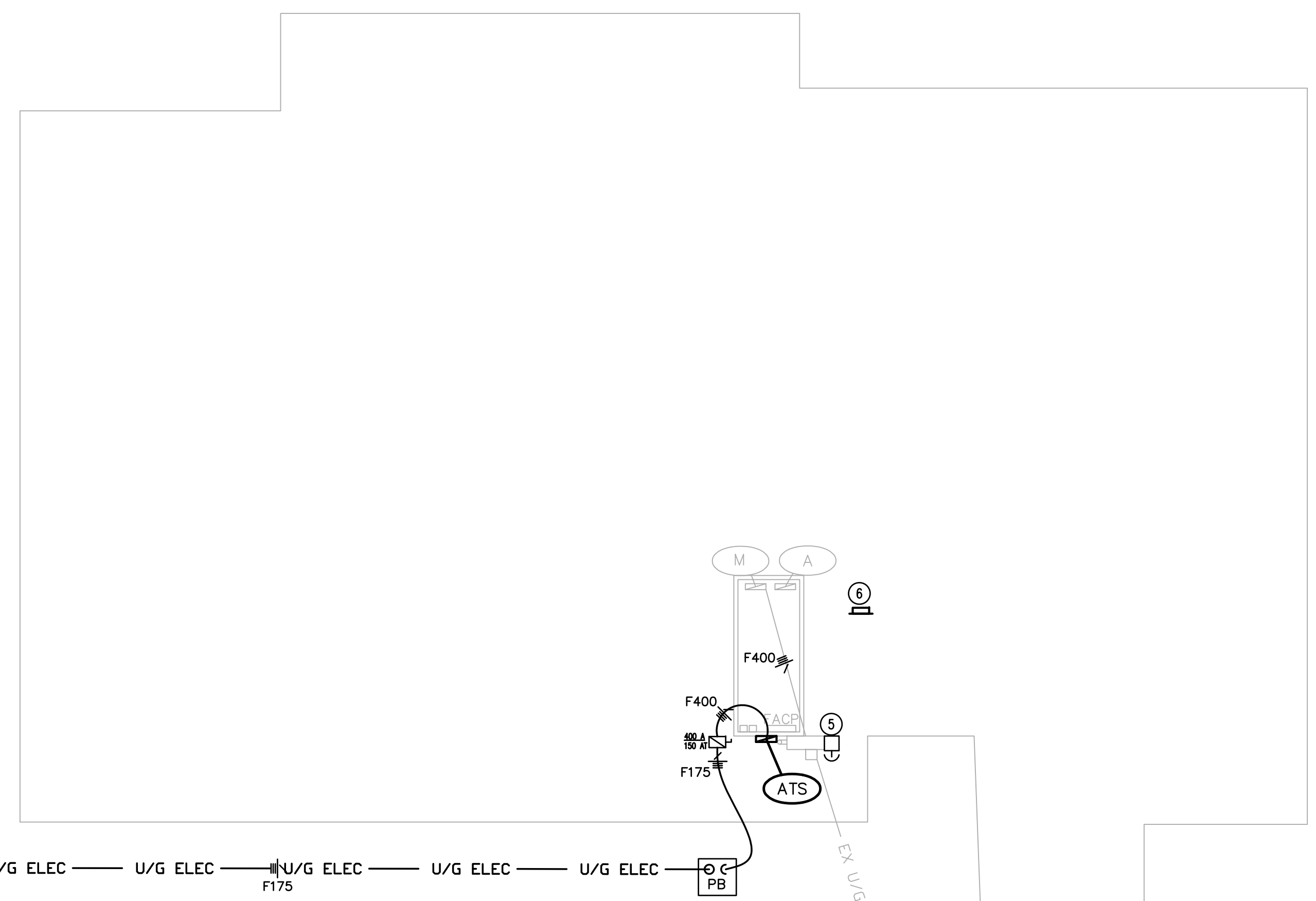
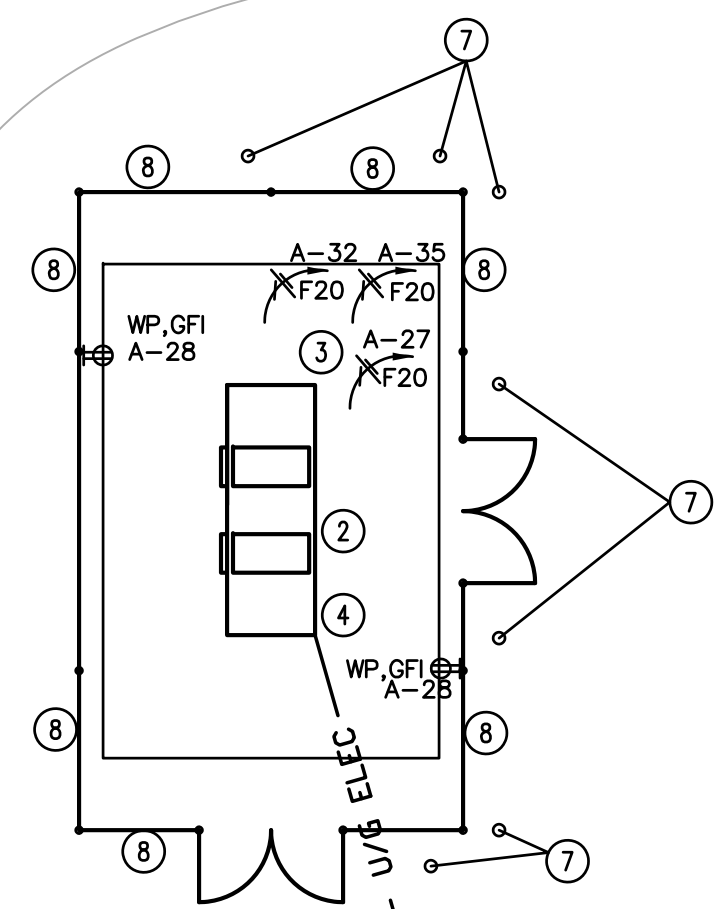
DATE

REV / DESCRIPTION

PUBLIC WORKS WTP OFFICE
BUILDING GENERATOR
8500 69TH ST E, PALMETTO, FL 34221

ELECTRICAL LEGEND
AND SYMBOLS

FILE: FILENAME
JOB NO.: JOB NUMBER
DATE: DATE
PLOT SIZE: 1:1
DRAWN BY: HG
CHECKED BY: MC
SHEET No.:
E1.0



PLAN NOTES:

- 1 "PB" INDICATE PULL BOXES FOR UNDERGROUND CONDUITS.
- 2 PROVIDE AND INSTALL 1.5" CONDUIT FOR THE CONTROLS WIRING. COORDINATE WIRING TYPE AND CONNECTIONS FOR CONTROLS.
- 3 PROVIDE AND INSTALL 3 20AMP CIRCUITS FROM PANEL M TO THE GENERATOR FOR HEATER AND BATTERY CHARGER REQUIREMENTS.
- 4 PROVIDE AND INSTALL TWO SERVICE RECEPTACLES (GFI) FOR GENERATOR ENCLOSURE. COORDINATE LOCATION WITH MANATEE COUNTY PERSONNEL.
- 5 COORDINATE LOCATION FOR EMERGENCY STOP BUTTON.
- 6 COORDINATE LOCATION OF REMOTE ANNUNCIATOR PANEL FOR GENERATOR.
- 7 BALLARDS
- 8 CHAIN-LINK FENCE

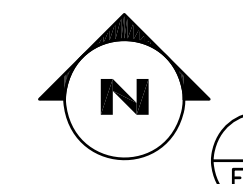
GENERAL NOTES:

ALL EXTERIOR EQUIPMENT SHALL BE NEMA 3R RATED AT A MINIMUM.

TREES/FOLIAGE MAY NEED TO BE REMOVED WITH GENERATOR SET LOCATION. EXHAUST WILL BURN TREES AND BUSHES. KEEP AND MAINTAIN AT LEAST A 10' CLEARANCE FROM EXHAUST AND GREENERY.

ATS, MTS, AND GDS SHALL HAVE A 6" HOUSEKEEPING PAD. THE ATS, MTS, AND GDS SHALL HAVE CONCRETE PADS TO MOUNT UPON.

PLACE PAD LOCKS ON ALL EQUIPMENT, COORDINATE PAD LOCK TYPE WITH OWNER'S REPRESENTATIVE. PROVIDE KEYS TO OWNER'S REPRESENTATIVE.



ELECTRICAL PROPOSED SITE PLAN
 1/16" = 1'-0"



UTILITIES ARE PLOTTED FROM FIELD LOCATION AND ANY RECORD INFORMATION AVAILABLE, AND SHOULD BE CONSIDERED APPROXIMATE. OTHER UTILITIES MAY EXIST WHICH ARE NOT EVIDENT OR FOR WHICH RECORD INFORMATION WAS NOT AVAILABLE. CONTRACTORS MUST CONTACT ALL UTILITY COMPANIES BEFORE EXCAVATING AND DRILLING.



CALL BEFORE YOU DIG

EXISTING UTILITIES AND FACILITIES ARE IN PLACE. CALL BEFORE YOU DIG. CALL SUNSHINE STATE ONE-CALL OF FLORIDA AT "811" TWO FULL BUSINESS DAYS BEFORE ANY EXCAVATION TO LOCATE ALL UNDER GROUND UTILITIES. (IN FLORIDA, THE LAW REQUIRING EXCAVATORS TO CALL 811 BEFORE DIGGING IS THE UNDERGROUND FACILITY DAMAGE PREVENTION AND SAFETY ACT, CHAPTER 556, FLORIDA STATUTES.) CONTRACTOR SHALL BE RESPONSIBLE TO HAVE ALL EXISTING UTILITIES LOCATED PRIOR TO THE START OF ANY WORK, AND SHALL REPAIR/ REPLACE ANY SYSTEMS HE/SHE DAMAGES DURING CONSTRUCTION AT HIS/HER OWN EXPENSE.

REVIEW SET
 (NOT FOR CONSTRUCTION)
 03/21/2022

SEAL
 MATTHEW J. CAMDEN
 FL #19264

ATP ENGINEERING SOUTH

BRADENTON, FLORIDA
 ENGR. BUSINESS #8908
 941-751-6485

REV#	DESCRIPTION	DATE

**PUBLIC WORKS WTP OFFICE
 BUILDING GENERATOR
 8500 69TH ST E, PALMETTO, FL 34221**

ELECTRICAL SITE PLAN

FILE:	FILENAME
JOB NO.:	JOB NUMBER
DATE :	DATE
PLOT SIZE:	1:1
DRAWN BY:	HG
CHECKED BY:	MC
SHEET No.:	E3.0

FEEDER AND BRANCH CIRCUIT SCHEDULE

FEEDER/BRANCH DESIGNATION	COPPER CONDUCTOR THHN, THWN, & THWN-2		SETS OF CONDUCTORS	CONDUIT SIZE AND QUANTITY [QUANTITY OF CONDUIT IS 1, UNLESS NOTED IN ()]									
	PHASE & NEUTRAL	EQUIPMENT GROUND		1P, 1N, 1G, 2P, 1G	2P, 1N, 1G, 3P, 1G	3P, 1N, 1G	3P, 2N, 1G	3P, 3N, 1G	3P, 1N, 2G				
F20	12	12	1	3/4"	3/4"	3/4"	3/4"	3/4"	3/4"	3/4"			
F30	10	10	1	3/4"	3/4"	3/4"	3/4"	1"	1"	1"			
F50	8	10	1	3/4"	1"	1"	1 1/4"	1 1/4"	1 1/4"	1 1/4"			
F60	6	10	1	1"	1 1/4"	1 1/4"	1 1/4"	1 1/4"	1 1/4"	1 1/4"			
F80	4	8	1	1"	1 1/4"	1 1/4"	1 1/2"	1 1/2"	1 1/2"	1 1/2"			
F100	3	8	1	1 1/4"	1 1/4"	1 1/2"	1 1/2"	2"	2"	2"			
F110	2	6	1	1 1/4"	1 1/2"	1 1/2"	2"	2"	2"	2"			
F125	1	6	1	1 1/2"	2"	2"	2"	2 1/2"	2"	2"			
F150	1/0	6	1	1 1/2"	2"	2"	2 1/2"	2 1/2"	2 1/2"	2 1/2"			
F175	2/0	6	1	2"	2"	2 1/2"	2 1/2"	3"	3"	2 1/2"			
F200	3/0	6	1	2"	2 1/2"	2 1/2"	3"	3"	3"	3"			
F225	4/0	4	1	2"	2 1/2"	3"	3"	3"	3"	3"			
F250	250	4	1	2 1/2"	3"	3"	3 1/2"	3 1/2"	3-1/2"	3-1/2"			
F300	350	4	1	3"	3"	3 1/2"	3 1/2"	4"	4"	3 1/2"			
F350	2/0	3	2	(2) 2"	(2) 2 1/2"	(2) 2 1/2"	(2) 2 1/2"	(2) 3"	(2) 2 1/2"	(2) 2 1/2"			
F400	3/0	3	2	(2) 2"	(2) 2 1/2"	(2) 2 1/2"	(2) 3"	(2) 3"	(2) 3"	(2) 2 1/2"			
F450	4/0	2	2	(2) 2"	(2) 2 1/2"	(2) 2 1/2"	(2) 3"	(2) 3"	(2) 3"	(2) 3"			
F500	250	2	2	(2) 2 1/2"	(2) 3"	(2) 3"	(2) 3"	(2) 3 1/2"	(2) 3 1/2"	(2) 3 1/2"			

NOTES:
 1. DO NOT COMBINE NEUTRAL CONDUCTORS FOR ALL CIRCUITS. USE SEPARATE INDEPENDENT NEUTRAL CONDUCTORS FOR ALL CIRCUITS.

VOLTAGE DROP FOR 1φ, 20A BRANCH CIRCUITS
 SIZED TO PREVENT VOLTAGE DROP EXCEEDING 2 PERCENT PER FL ENERGY CODE.

FEEDER SIZE TO USE	DISTANCE ALLOWED	
	120V	240V
F20	0 - 30 FEET	0 - 61 FEET
F30	30 - 48 FEET	61 - 97 FEET
F50	48 - 77 FEET	97 - 154 FEET
F60	77 - 122 FEET	154 - 244 FEET

- NOTES:
 1. 20 A BRANCH CIRCUITS SHALL BE SIZED FOR VOLTAGE DROP. WIRE SIZES ARE NOT INDICATED ON THE DRAWINGS TO COMPENSATE FOR VOLTAGE DROP FOR THESE CIRCUITS. CONTRACTOR SHALL UTILIZE WIRE SIZE SHOWN ABOVE FOR DISTANCES LISTED ABOVE.
 2. VOLTAGE DROP WIRE SIZES WILL BE STRICTLY ENFORCED. CONTRACTOR SHALL SUBMIT A LIST OF CIRCUITS THAT WILL EXCEED THE DISTANCES ALLOWED AND INDICATE WIRE SIZE TO BE USED PRIOR TO ANY WIRE BEING INSTALLED.

FP+L DEMAND DATA-24 MONTHS MAXIMUM

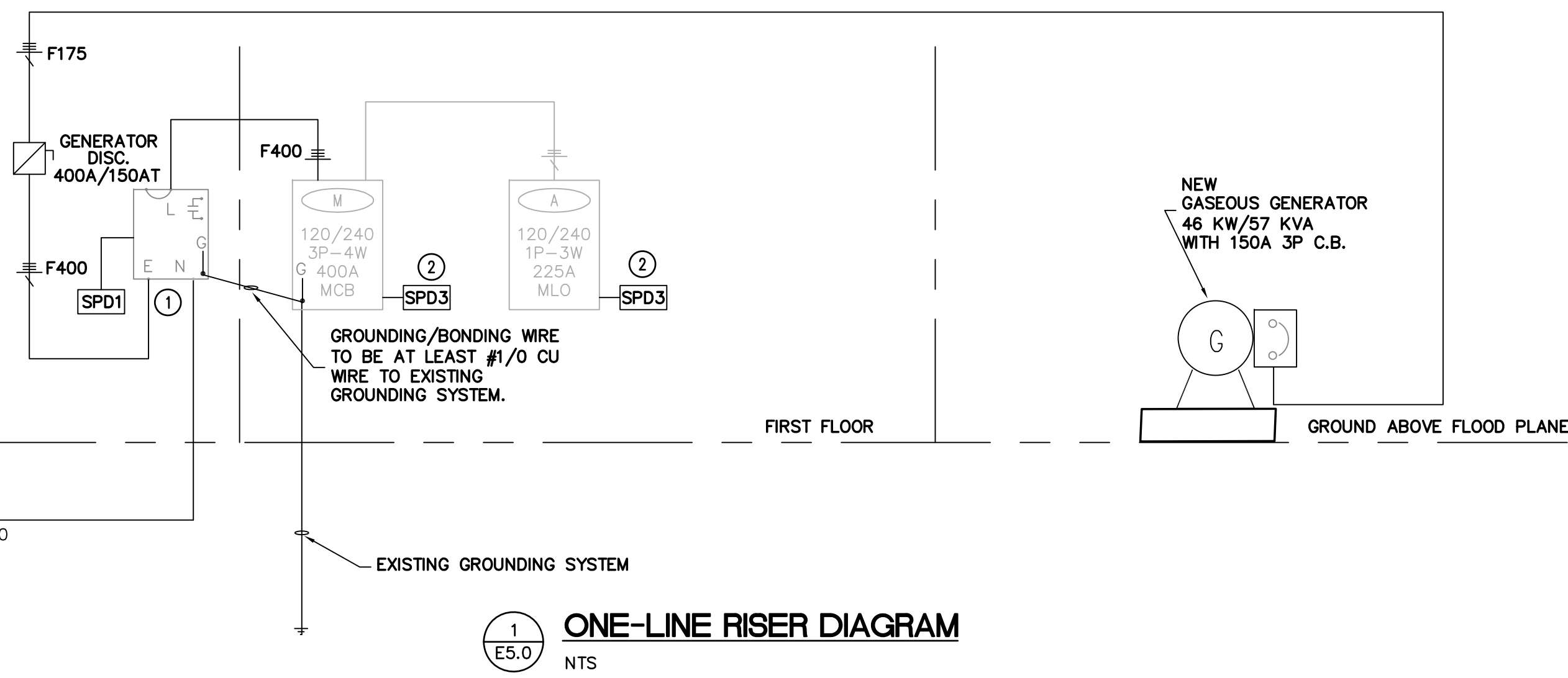
DATE	DEMAND VALUE (KWD)
1/18/2020	9
2/18/2020	12
3/18/2020	10
4/17/2020	8
5/19/2020	7
6/18/2020	8
7/20/2020	10
8/19/2020	9
9/18/2020	9
10/19/2020	8
11/17/2020	8
12/17/2020	10
1/19/2021	10
2/17/2021	12
3/18/2021	9
4/19/2021	10
5/19/2021	11
6/18/2021	10
7/20/2021	13
8/19/2021	10
9/20/2021	9
10/19/2021	9
11/17/2021	8
12/17/2021	9
DEMAND MAXIMUM	13

CKT NO.	LOAD DESCRIPTION	LOAD CODE	CONN. KVA	BREAKER AMPS	POLE	CONNECTED LOAD			BREAKER AMPS	POLE	CONN. KVA	LOAD CODE	LOAD DESCRIPTION	CKT NO.
						A	B	C						
1	AHU-1	M	5.76	60	2	8.76			40	3	3.00	M	WATER HEATER	2
3		M	5.76			8.76					3.00	M		4
5	OAU-1	M	5.76	60	2			8.76			3.00	M		6
7		M	5.76			10.16			40	3	4.40	M	AIR COMPRESS	8
9	LIFT STATION	M	3.32	30	3			7.72			4.40	M		10
11		M	3.32					7.72			4.40	M		12
13		M	3.32			6.20			30	2	2.88	R	240V RECEPT	14
15	240V RECEPT	R	2.88	30	2			6.76			2.88	R		16
17		R	2.88					3.88	20	1	1.00	M	ICE MACHINE	18
19	EF-1 NORTH	M	0.25	20	3	0.75			20	3	0.50	M	ERV-1	20
21		M	0.25			0.75					0.50	M		22
23		M	0.25					0.75			0.50	M		24
25	EF-1 SOUTH	M	3.32	30	3	3.16			30	2	2.88	M	AHU-1	26
27		M	3.32			3.16					2.88	M		28
29		M	3.32					3.32	20	1			SPARE	30
31	SPARE			20	1	0.00			20	1			SPARE	32
33	SPARE			20	1	0.00			20	1			SPARE	34
35	SPARE			20	1			1.00	20	1	1.00	P	FIRE ALARM CNTL PANEL	36
37	SPARE			30	3	0.00			30	3			SPD	38
39						0.00								40
41								0.00						42
						29.03	26.15	25.43						
TOTAL CONNECTED AMPS:						241.92	AMPS	241.92	217.92	211.92	AMPS			
TOTAL CONNECTED LOAD:						86.69	KVA							
TOTAL DEMAND AMPS:						194.44	AMPS							
TOTAL DEMAND LOAD:						62.39	KVA							

3
 E5.0
PANEL M
 NTS

CKT NO.	LOAD DESCRIPTION	LOAD CODE	CONN. KVA	BREAKER AMPS	POLE	CONNECTED LOAD			BREAKER AMPS	POLE	CONN. KVA	LOAD CODE	LOAD DESCRIPTION	CKT NO.
						A	B	C						
1	IT RM	R	0.90	20	1	1.90			20	1	1.00	M	REFRIG	2
3	RECEPT	R	0.90	20	1			1.44	20	1	0.54	R	MICROWAVE	4
5	RECEPT	R	0.90	20	1	1.80			20	1	0.90	R	RECEPT	6
7	RECEPT	R	0.90	20	1			1.80	20	1	0.90	R	RECEPT	8
9	RECEPT	R	0.90	20	1	1.80			20	1	0.90	R	RECEPT	10
11	RECEPT	R	0.90	20	1			1.44	20	1	0.54	M	HAND DYER	12
13	RECEPT	R	0.90	20	1	1.62			20	1	0.72	M	DISPOSAL	14
15	RECEPT	R	0.90	20	1			1.44	20	1	0.54	M	HAND DYER	16
17	RECEPT	R	0.90	20	1	1.62			20	1	0.72	M	WATER COOLER	18
19	RECEPT	R	0.90	20	1			1.90	20	1	1.00	L	GARAGE LTS	20
21	LIGHTS	L	1.00	20	1	2.00			20	1	1.00	L	ATTIC LTS AND POWER	22
23	TV POWER	R	0.72	20	1			0.90	20	1	0.18	M	TIMCLOCK	24
25	LIGHTS	L	1.00	20	1	2.00			20	1	1.00	L	LIGHTS	26
27	GENERATOR HEATER	M	1.00	20	1			1.36	20	1	0.36	R	GENERATOR RECEPT	28
29	CORD REEL	M	0.72	20	1	1.26			20	1	0.54	M	HAND DRYER	30
31	SPARE			30	1			0.84	20	1	0.84	M	GENERATOR BATTERY	32
33						0.00			50	2			SPARE	34
35	GENERATOR BATTERY	M	0.84	20	1			0.84						36
37	SPACE					0.00			30	3			SPD	38
39	SPACE					0.00								40
41	SPACE					0.00								42
						14.00	11.96	KVA						
TOTAL CONNECTED AMPS:						116.67	AMPS	116.67	99.67	AMPS				
TOTAL CONNECTED LOAD:						25.96	KVA							
TOTAL DEMAND AMPS:						79.38	AMPS							
TOTAL DEMAND LOAD:						16.89	KVA							

2
 E5.0
PANEL A
 NTS



GENERAL NOTES:

- SPD1 - SERVICE ENTRANCE RATED SURGE PROTECTION DEVICE TO BE LIKE PQ PROTECTION PQM200 OR LEVITON 52000 SERIES, TYPE 2 PANEL MOUNT, OR APPROVED EQUAL.
 SPD2 - SURGE PROTECTION DEVICE TO BE LIKE PQ PROTECTION PQC100 OR LEVITON 42000 SERIES, TYPE 2 PANEL MOUNT, OR APPROVED EQUAL.

PLAN NOTES:

- 1 PROVIDE 400A SERVICE ENTRANCE RATED ATS WITH SPD AND TIE TO EXISTING GROUNDING SYSTEM.
 2 PROVIDE NEW SPD UNITS ON PANEL M AND A USE A THREE POLE 30A BREAKER ON PANEL M AND A 30A TWO POLE BREAKER ON PANEL A.

FAULT CURRENT CALCULATIONS VALUES:

Panel ID	Length(ft)	I	N	C	E(L-N)	E(L-L)	f	f	Factor M	Factor M	Short Circuit Value	Rating	Max value	
Fault Current Rating - Existing Panel M is rated at 65KAIC														
65000 AIC														
ATS	10	65000	2	12844	120	240	0.365227	0.182613	0.732479	0.845585	47611.14	54963.02	65KAIC	54963.02
M	30	54963.02	2	12844	120	240	0.92649	0.463245	0.519079	0.683412	28530.13	37562.41	Existing	37562.41
A	15	37562.41	1	15082	120	240	0.311318	0.155659	0.762591	0.865307	28644.77	32503.02	Existing	32503.02

FAULT CURRENT INFORMATION:

- PLACE A PACARD ON THE PANELS SHOWING THE NEW FAULT CURRENT VALUE, THE VOLTAGE, PHASE, FREQUENCY, AND DATE (3-28-2022) OF FAULT CURRENT ANALYSIS PER NEC REQUIREMENTS.
 - NO CHANGES TO THE EXISTING PANELS EXCEPT ADDITIONS OF (2) 30A CIRCUIT FOR SPD UNITS ON PANEL M AND PANEL A AND (4) 20A-1P CIRCUITS FROM PANEL A WILL BE USED FOR BATTERY CHARGER CIRCUITS(2 @ 360W), A HEATER CIRCUIT (1000W), AND A CIRCUIT FOR MAINTENANCE RECEPTACLES(360W).
 - VERIFY AIC RATINGS WITH THIS ENGINEER PRIOR TO PURCHASING ANY ELECTRICAL GEAR.
- EXISTING PANELS ARE RATED AT 65KAIC- WITH A 240V- 3P SYSTEM AT 400A- THE SIZE OF THE TRANSFORMER WOULD BE A MAXIMUM OF 300KVA. A 300KVA TRANSFORMER WOULD PROVIDE A FAULT CURRENT LEVEL OF 24,057AIC WITH A 3% IMPEDANCE AND 721AMPS MAX BASED UPON INFINITE BUS METHOD.

GENERAL NOTES:

ITEMS IN GRAYSCALE ARE EXISTING.
 ITEMS BOLD ARE NEW.
 PER FEMA MAP 120153 THE LOCATION IS IN AN "AE" ZONE AND IS APPROX. 20'-25' ABOVE SEA LEVEL. AREAS SUBJECT TO INUNDATION BY THE 1-PERCENT-ANNUAL-CHANCE FLOOD EVENT DETERMINED BY DETAILED METHODS. BASE FLOOD ELEVATIONS ARE SHOWN ON THE MAP. THE ELEVATION OF THE GENERATOR HAS TO BE RAISED BY AT LEAST 1 FT TO BE ABOVE THE BASE FLOOD ZONE.

REVIEW SET
 (NOT FOR CONSTRUCTION)
 03/21/2022

SPECIFICATIONS:

(APPLY TO ALL ELECTRICAL SHEETS)

- PROVIDE AND INSTALL NEW GREEN INSULATED COPPER GROUNDING CONDUCTORS AS THE EQUIPMENT GROUNDING MEANS FOR ALL ELECTRICAL DEVICES AND EQUIPMENT.
- ALL PANELBOARDS AND SWITCHBOARDS SHALL HAVE COPPER BUS, COPPER GROUND BAR, AND RATINGS AS SPECIFIED. REFERENCE STANDARDS SHALL BE GENERAL ELECTRIC "A" SERIES "PRO-STOCK" BRANCH PANELS AND SPECTRA SERIES DISTRIBUTION PANELS WITH BOLT IN TYPE CIRCUIT BREAKERS.
- PROVIDE LABELING FOR ALL PANELBOARDS, SWITCHBOARDS, AND DISCONNECT SWITCHES TO INCLUDE AN ENGRAVED PLASTIC LABEL IDENTIFYING THE EQUIPMENT AND WHERE IT IS FED FROM.
 - ALL BRANCH DEVICES IN THE MAIN SWITCHBOARD SHALL HAVE AN ENGRAVED PLASTIC LABEL.
 - ALL PANELBOARDS SHALL INCLUDE A TYPEWRITTEN DIRECTORY. ALL RECEPTACLES SHALL HAVE CIRCUIT NUMBERS WRITTEN ON THE INSIDE OF THE COVERPLATE.
 - ALL JUNCTION BOX COVERS SHALL BE IDENTIFIED TO INDICATE CIRCUITS CONTAINED.
 - WHERE MULTIPLE SWITCHES ARE GANGED TOGETHER THE SWITCHES SHALL BE IDENTIFIED.
 - PROVIDE (1) 3/4" SPARE CONDUIT FOR EACH 3 SPACES OR SPARES IN EACH FLUSH MOUNTED PANEL FROM PANEL TO ABOVE ACCESSIBLE CEILING FOR FUTURE USE.
 - ALL RECEPTACLES SHALL HAVE CIRCUIT NUMBERS WRITTEN ON THE INSIDE OF THE COVERPLATE.
 - ALL JUNCTION BOXES ON EMERGENCY POWER SHALL BE RED IN COLOR.
- ALL CONDUIT INSIDE THE BUILDING SHALL BE A ELECTRICAL METALLIC TUBING (EMT) AND SHALL BE A MINIMUM 1/2" UNLESS OTHERWISE NOTED. ALL CONDUIT INSTALLED UNDERGROUND SHALL BE SCHEDULE 40 PVC UNLESS OTHERWISE NOTED. ALL CONDUIT INSTALLED ABOVE GRADE OUTSIDE THE BUILDING SHALL BE GALVANIZED RIGID STEEL. NO PVC CONDUIT SHALL BE USED ABOVE THE FLOOR SLAB.
- ALL ELECTRICAL CONNECTORS, LUGS, BREAKERS, EQUIPMENT, ETC. SHALL BE RATED AT A MINIMUM OF 75 DEG. C.
- WIRING METHODS:

ALL WIRING SHALL BE COPPER. NO ALUMINUM WIRING WILL BE ALLOWED. MC TYPE CABLE SHALL NOT BE USED.
- SWITCHES SHALL BE 20 AMPERE RATED, 120/277 VOLT, LEVITON 1221S SERIES OR APPROVED EQUIVALENT, UNLESS OTHERWISE NOTED.
 - SWITCHES CONTROLLING LIGHTING SHALL HAVE NEUTRAL CONDUCTOR.
- COMMON AREA/PUBLIC USE AREA RECEPTACLES SHALL BE 20A, 120V GROUNDING TYPE LIKE LEVITON 5362S SERIES, UNLESS OTHERWISE NOTED.
 - WHITE IN COLOR
 - PROVIDE GROUND FAULT CIRCUIT-INTERRUPTER (GFI) TYPE RECEPTACLE IF SHOWN OR AS REQUIRED BY NEC.
- ARC-FAULT CIRCUIT-INTERRUPTER RECEPTACLES SHALL BE 20A, 120V GROUNDING TYPE LIKE LEVITON AFR2-W.
 - WHITE IN COLOR.
- ALL COVERPLATES FOR INTERIOR WIRING DEVICES SHALL BE WHITE NYLON TYPE. DEVICES SHALL BE WHITE IN COLOR.
- ALL EXTERIOR RECEPTACLES SHALL BE GFCI (GFI) TYPE AND HAVE IN-USE TYPE WEATHERPROOF COVERPLATES.

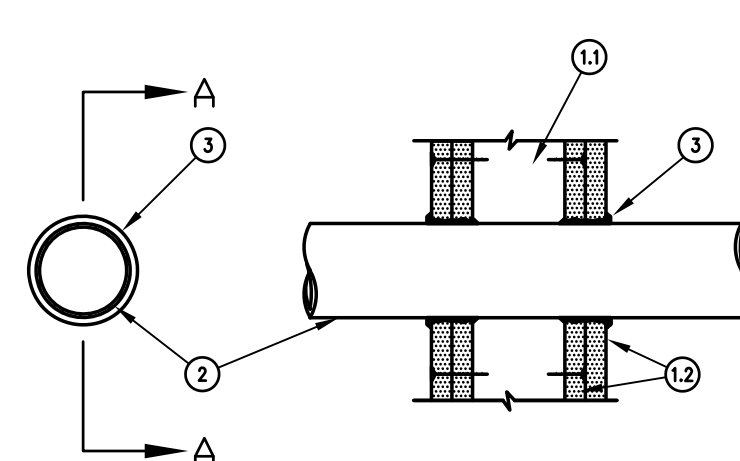
GENERAL NOTES:

(APPLY TO ALL ELECTRICAL SHEETS)

- PROVIDE COMPLETE AND OPERATIONAL ELECTRICAL SYSTEM.
- ALL WORK SHALL CONFORM TO OR EXCEED THE MINIMUM REQUIREMENTS OF THE CURRENT ANSI/NFPA 70 WITH STATE OF FLORIDA AMENDMENTS, ANSI/IEEE C2 AND ALL FEDERAL, STATE, LOCAL, AND MUNICIPAL CODES AND ORDINANCES. THE ELECTRICAL SUBCONTRACTOR SHALL COMPLY WITH THE DIRECTIONS OF ALL AUTHORITIES HAVING JURISDICTION.
- INSTALL WORK USING PROCEDURES DEFINED IN NECA STANDARDS OF INSTALLATION. ALL WORK SHALL PRESENT A NEAT MECHANICAL APPEARANCE WHEN COMPLETED.
- REFER TO THE ARCHITECTURAL DRAWINGS FOR CEILING AND MILLWORK WORK BY THE SEPARATE GENERAL CONTRACT. COORDINATE ALL ELECTRICAL WORK.
- THE ELECTRICAL SUBCONTRACTOR SHALL PROVIDE ALL FLOOR, WALL, AND CEILING PENETRATIONS TO COMPLETE HIS WORK. PROVIDE PROPER FIRE SAFING FOR ALL PENETRATIONS MADE.
- COORDINATE ALL ELECTRICAL WORK WITH ALL OTHER TRADES TO ENSURE EFFECTIVE AND EFFICIENT OVERALL INSTALLATION.
- COORDINATE ALL ELECTRICAL SYSTEM DOWNTIME WITH THE OWNER, PERFORMANCE SERVICES, AND OTHER TRADES. DOWNTIME OF THE SYSTEM SHALL BE MINIMIZED. WEEKEND AND AFTER HOUR WORK SHALL BE REQUIRED TO PREVENT OR MINIMIZE INTERFERENCE WITH THE OWNER'S OPERATION.
- THE LOCATIONS OF RECEPTACLES, PHONE/DATA JACKS, AND ROOM EQUIPMENT SHOWN ON THESE DRAWINGS ARE APPROXIMATE. FINAL LOCATIONS WILL BE DETERMINED DURING THE CONSTRUCTION PHASE- COORDINATE AND REFER TO ARCHITECTURAL DRAWINGS.
- ALL NEW EQUIPMENT SHALL BE SUBMITTED FOR APPROVAL PRIOR TO ORDERING. PROVIDE COPIES OF ALL LIGHTING EQUIPMENT AND CONTROLS DATA SHEETS FOR THE LEED CONSULTANT AND COMMISSIONING CONSULTANT. ALL LIGHTING SYSTEMS SHALL MEET OR EXCEED ASHRAE 90.1 IN ENERGY USAGE PER SQUARE FOOT.
- PHYSICAL SIZES AND LOCATIONS OF ALL MECHANICAL EQUIPMENT SHOWN ON THESE DRAWINGS ARE APPROXIMATE. COORDINATE ELECTRICAL WORK FOR THIS EQUIPMENT WITH THE OTHER TRADES.
- PROVIDE APPROPRIATE SEALANT (I.E. FIRESAFING) TO MAINTAIN CONSTRUCTION INTEGRITY FOR ANY PENETRATIONS THROUGH FLOORS, STRUCTURAL CEILINGS, AND FIRE WALLS.
- ALL BRANCH CIRCUITS SHALL UTILIZE SEPARATE INDEPENDENT NEUTRAL CONDUCTOR, AND INSULATED GROUNDING CONDUCTOR. DO NOT COMBINE NEUTRAL CONDUCTORS.
- ALL FEEDER NEUTRAL/GROUNDING CONDUCTORS SHALL BE CONSIDERED CURRENT CARRYING. DERATE MULTIPLE CONDUCTORS IN A RACEWAY ACCORDINGLY WITH NEC TABLES.
- INSTALL ALL CONDUITS, RACEWAYS, AND CABLE TRAY FOR MAXIMUM HEAD CLEARANCE IN MECHANICAL AREAS, AND ATTIC. COORDINATE CLEARANCES WITH PERFORMANCE SERVICES AND THE OWNER.
- ALL ELECTRICAL SERVICE WORK SHALL COMPLY WITH THE LOCAL UTILITY. COORDINATE ALL REQUIREMENTS AND MAXIMUM AVAILABLE FAULT CURRENT PRIOR TO BID AND INCLUDE ALL NECESSARY MATERIAL AND LABOR REQUIRED FOR THE ADDITION TO THE ELECTRICAL SERVICE. PROVIDE PRICING FOR ANY UTILITY FEES.
- TEST GROUNDING SYSTEM AFTER COMPLETION OF JOB TO INSURE PROPER GROUND CONDUCTIVITY. VERIFY PROPER PHASE ROTATION.
- RECORD DRAWINGS: PROVIDE AMPERE READINGS ON ALL PANELBOARDS TO PROVE PANELS ARE BALANCED. PROVIDE PHASE ROTATION READINGS ON ALL PANELBOARDS. PROVIDE ALL RECORD DRAWINGS TO THE OWNER'S REPRESENTATIVE. PROVIDE RECORD DRAWINGS PER FBC ENERGY CODE REQUIREMENTS. INCLUDE ALL BRANCH CIRCUITS, CONDUIT SIZES, WIRE SIZES, VOLTAGE DROP VALUES, PANEL SCHEDULES, RISER DIAGRAMS, GROUNDING SYSTEM, AND ANY MODIFICATIONS TO THE ELECTRICAL SYSTEM IN GENERAL.
- ALL DOCUMENTATION INCLUDING COMPLETE AS-BUILT(CONTRACTOR) DRAWINGS SHALL BE PROVIDED TO THE OWNER WITHIN 90 DAYS OF RECEIVING THE CERTIFICATE OF OCCUPANCY.
- NFPA 70/NEC SECTION 501 SHALL BE FOLLOWED FOR ANY AREAS OF FUEL STORAGE/DISPENSING AND DIESEL FUEL UTILIZATION FOR GENERATORS.
- COORDINATE WITH TECO PEOPLE'S GAS ON THE INSTALLATION OF NATURAL GAS GENERATORS. COORDINATE WITH FPL ON ALL ELECTRICAL UTILITY REQUIREMENTS INCLUDING METERING. ALL PERMITTING FEES AND UTILITY FEES WILL BE PAID BY THE CONTRACTOR.
- ALL SURVEY AND GEOTECHNICAL WORK IS TO BE PROVIDED BY THE CONTRACTOR. THE FEES ARE THE RESPONSIBILITY OF THE CONTRACTOR.

SYSTEM NO. WL1001

(FORMERLY SYSTEM NO. 147)
F RATING - 1, 2, 3 AND 4HR. (SEE ITEM 2 AND 3)
T RATINGS - 0, 1, 2, 3, AND 4 HR. (SEE ITEM 3)



SECTION A-A

- WALL ASSEMBLY - THE 1, 2, 3 OR 4 HOUR FIRE-RATED GYPSUM WALLBOARD / STUD WALL ASSEMBLY SHALL BE CONSTRUCTED OF THE MATERIALS AND IN THE MANNER DESCRIBED IN THE INDIVIDUAL U300 OR U400 SERIES WALL OR PARTITION DESIGN IN THE UL FIRE RESISTANCE DIRECTORY AND SHALL INCLUDE THE FOLLOWING CONSTRUCTION FEATURES:
 - STUDS - WALL FRAMING MAY CONSIST OF EITHER WOOD STUDS OR STEEL CHANNEL STUDS. WOOD STUDS CONSIST OF NOMINAL 2 BY 4 IN. LUMBER SPACED 16 INCHES OC WITH NOMINAL 2 BY 4 IN. LUMBER END PLATES AND CROSS BRACES. STEEL STUDS TO BE MIN. 3-5/8 IN. WIDE BY 1-3/8 IN. DEEP CHANNELS SPACED MAX 24 IN. OC.
 - WALL BOARD GYPSUM* - 1/2 IN. OR 5/8 IN. THICK 4 FOOT WIDE WITH SQUARE OR TAPERED EDGES. THE GYPSUM WALLBOARD TYPE, THICKNESS, NUMBER OF LAYERS, FASTENER TYPE AND SHEET ORIENTATION SHALL BE AS SPECIFIED IN THE INDIVIDUAL U300 OR U400 SERIES DESIGN IN THE UL FIRE RESISTANCE DIRECTORY. MAX DIAM OF OPENING IS 13-1/2 IN.
- PIPE OR CONDUIT - NOMINAL 12 IN. DIAM. (OR SMALLER) SCHEDULE 10 (OR HEAVIER STEEL CONDUIT, NOM. 4 IN. DIAM (OR SMALLER) STEEL ELECTRICAL CONDUIT MECHANICAL OR TYPE L OR (HEAVIER) COPPER TUBING OR MON. 1 IN. DIAM (OR SMALLER) FLEXIBLE STEEL CONDUIT.
- FILL, VOID OR CAVITY MATERIAL* - CAULK - CAULK FILL MATERIAL INSTALLED TO COMPLETELY FILL ANNULAR SPACE BETWEEN PIPE OR CONDUIT AND GYPSUM WALLBOARD AND W/ A MIN. 1/4 IN. DIAM BEAD OF CAULK APPLIED TO PERIMETER OF PIPE OR CONDUIT AT ITS EGRESS FROM THE WALL. CAULK INSTALLED SYMMETRICALLY ON BOTH SIDES OF WALL ASSEMBLY. THE HOURLY F RATING OF THE FIRESTOP SYSTEM IS DEPENDENT UPON THE HOURLY FIRE RATING OF THE WALL ASSEMBLY IN WHICH IT IS INSTALLED, AS SHOWN IN THE FOLLOWING TABLE. THE HOURLY T RATING OF THE FIRESTOP SYSTEM IS DEPENDENT UPON THE TYPE OR SIZE OF THE PIPE OR CONDUIT AND THE HOURLY FIRE RATING OF THE WALL ASSEMBLY IN WHICH IT IS INSTALLED, AS TABULATED BELOW.

MAXIMUM PIPE OR CONDUIT DIAMETER (IN INCHES)	ANNULAR SPACE (IN INCHES)	F RATING HR	T RATING HR
1	0 TO 3/16	1 OR 2	0+, 1 OR 2
1	1/4 TO 1/2	3 OR 4	3 OR 4
4	0 TO 1 1/2	1 OR 2	0
6	1/4 TO 1/2	3 OR 4	0
12	3/16 TO 3/8	1 OR 2	0

*WHEN COPPER PIPE IS USED, T RATING IS 0 H.

MINNESOTA MINING & MANUFACTURING CO. - TYPES CP-25 S/L, CP-25 N/S, CP-25 WB, CP-25 WB+

* BEARING THE UL CLASSIFICATION MARKING



NOT TO SCALE

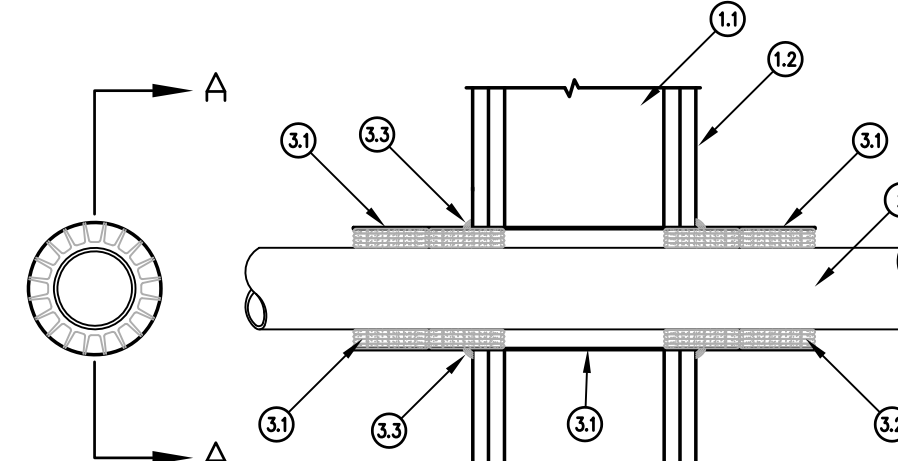
120/240/120V 3φ HI-LEG DELTA SURGE PROTECTION DEVICE (MODULAR)

SURGE PROTECTION DEVICE TO BE LIKE LEVITON 52412 SERIES, TYPE 2 PANEL MOUNT, OR APPROVED EQUAL.

- ELECTRICAL SPECIFICATIONS
 - VOLTAGE CONFIGURATION: 120/240/120V HI-LEG DELTA
 - FREQUENCY: 50/60HZ
 - SURGE TECHNOLOGY: 40MM MOV DESIGN
 - RECOMMENDED CIRCUIT BREAKER RATING: 30A, 120/240V
- ENVIRONMENTAL SPECIFICATIONS
 - ENCLOSURE TYPE: NEMA 12 ENCLOSURE
 - OPERATING TEMPERATURE: -20°C TO 40°C
 - STORAGE TEMPERATURE: -4°F TO 104°F (-20°C TO 85°C)
 - FLAMMABILITY: RATED V-2 PER UL94
 - RELATIVE HUMIDITY: 5% TO 95% NON-CONDENSING
- MECHANICAL SPECIFICATIONS
 - CONNECTION TYPE: PARALLEL-HARDWIRED, FEED-THROUGH DUAL WIRE TERMINAL BLOCK; ACCEPTS UP TO #3 AWG WIRE
- PERFORMANCE DATA
 - MCOV L-N: L-N:150V, H-N:320V
 - MCOV L-G: L-G:300V, H-G:470V
 - MCOV N-G: 150V
 - MCOV L-L: L-L:300V, H-L:470V
 - VPR L-N: L-N:1000V, H-N:1500V
 - VPR L-G: L-G:1500V, H-G:2000V
 - VPR N-G: 700V
 - VPR L-L: L-L:1500V, H-L:2500V
 - PROTECTION MODE: 4-MODE
 - MAXIMUM SURGE CURRENT, PER MODE (PER PHASE): 100KA (100KA)
 - SHORT CIRCUIT CURRENT RATING: 100KA
 - NOMINAL DISCHARGE CURRENT RATING: 20KA
 - NOISE REJECTION: -20 TO -40 DB AT 5KHZ-10MHZ
 - DIAGNOSTICS: REAL TIME PROTECTION STATUS LEDS & AUDIBLE ALARM
 - REMOTE MONITORING: DRY CONTACT LEADS-N.O./N.C. FORM C RATED AT 7AMPS @ 240VAC OR 30 VDC
- PRODUCT FEATURES
 - DIAGNOSTIC LED
 - SURGE COUNTER: WITHOUT
 - MODULE NO.: (2) 2120 (120V) & (1) 2412 (HI-LEG)
 - MCOV: L-L 250V AC
 - STANDARDS AND CERTIFICATIONS: UL1449 / CSA / ANSI/IEEE STANDARDS AND CERTIFICATIONS
- WARRANTY
 - UL1449 3RD EDITION: CSA CERTIFIED AND UL LISTED TYPE 2
 - ANSI/IEEE CATEGORY A, B & C: C-62.41 & 62.45

SYSTEM NO. WL2154

F Ratings - 1 or 2 HR (See Item 1)
T Ratings - 1 or 2 HR (See Item 1)



SECTION A-A

- WALL ASSEMBLY - THE 1 OR 2 HR FIRE RATED GYPSUM WALLBOARD / STUD WALL ASSEMBLY SHALL BE CONSTRUCTED OF THE MATERIALS AND IN THE MANNER SPECIFIED IN THE INDIVIDUAL U300 OR U400 SERIES WALL AND PARTITION DESIGN IN THE UL FIRE RESISTANCE DIRECTORY AND SHALL INCLUDE THE FOLLOWING CONSTRUCTION FEATURES:
 - STUDS - WALL FRAMING MAY CONSIST OF EITHER WOOD STUDS OR STEEL CHANNEL STUDS. WOOD STUDS TO CONSIST OF NOM 2 BY 4 IN. LUMBER SPACED 16 IN. OC. STEEL STUDS TO BE MIN 3-1/2 IN. WIDE AND SPACED MAXIMUM 24 IN. OC.
 - WALLBOARD, GYPSUM BOARD* - THICKNESS, TYPE, NUMBER OF LAYERS AND FASTENERS AS TAPERED EDGES. THE GYPSUM WALLBOARD AND PARTITION DESIGN. MAXIMUM DIAMETER OF OPENING IS 7-3/4 IN. THE HOURLY F AND T RATINGS OF THE FIRESTOP SYSTEM IS EQUAL TO THE HOURLY FIRE RATING OF THE WALL ASSEMBLY IN WHICH IT IS INSTALLED.
 - THROUGH PENETRANTS - ONE NONMETALLIC PIPE OR CONDUIT TO BE CENTERED WITHIN OPENING WITH A NOM. 1/4 IN. ANNULAR SPACE BETWEEN PIPE OR CONDUIT AND PERIPHERY OF OPENING. PIPE OR CONDUIT TO BE RIGIDLY SUPPORTED ON BOTH SIDES OF THE WALL ASSEMBLY. THE FOLLOWING TYPES AND SIZES OF NONMETALLIC PIPES OR CONDUITS MAY BE USED:
 - POLYVINYL CHLORIDE (PVC) PIPE - NOM. 6 IN. DIAMETER (OR SMALLER) SCHEDULE 40 SOLID CORE PVC PIPE FOR USE IN CLOSED (PROCESS OR SUPPLY) OR VENTED (DRAIN, WASTE OR VENT) PIPING SYSTEM.
 - RIGID NONMETALLIC CONDUIT ++ - NOM. 6 IN. DIAMETER (OR SMALLER) SCHEDULE 40 PVC CONDUIT INSTALLED IN ACCORDANCE WITH ARTICLE 347 OF THE NATIONAL ELECTRICAL CODE (NFPA NO. 70).
 - CHLORINATED POLYVINYL CHLORIDE (CPVC) PIPE - NOM 6 IN. DIAMETER (OR SMALLER) SDR17 CPVC PIPE FOR USE IN CLOSED (PROCESS OR SUPPLY) OR VENTED (DRAIN, WASTE OR VENT) PIPING SYSTEMS.
- FIRESTOP SYSTEM - THE DETAILS OF THE FIRESTOP SYSTEM SHALL BE AS FOLLOWS:
 - STEEL SLEEVE - MINIMUM 26 GAUGE GALVANIZED STEEL CUT 6 IN. LONGER THAN OVERALL WIDTH OF WALL WITH THE OUTSIDE DIAMETER EQUAL TO DIAMETER OF OPENING IN WALL WITH A MINIMUM 1 IN. OVERLAP ALONG LONGITUDINAL SEAM. SLEEVE PLACED IN WALL OPENING SUCH THAT 3 IN. EXTENDS BEYOND BOTH SIDES OF WALL. EDGES OF SLEEVE TO BE PROVIDED WITH 1/2 IN. LONG SLITS TO FORM RETAINING TABS.
 - FILL, VOID OR CAVITY MATERIALS* - WRAP STRIP - NOM. 1/8 IN. THICK INTUMESCENT MATERIAL SUPPLIED IN 2 IN. WIDE STRIPS. MINIMUM FOUR CONTINUOUS LAYERS OF WRAP STRIP TIGHTLY WRAPPED AROUND NONMETALLIC PIPE ON BOTH SIDES OF WALL, AND RECESSED WITHIN STEEL SLEEVE 2-1/2 IN. FROM THE END OF SLEEVE ON BOTH SIDE OF WALL AN ADDITIONAL STACK OF FOUR CONTINUOUS LAYERS OF WRAP STRIP TIGHTLY WRAPPED AROUND NONMETALLIC PIPE ON BOTH SIDES OF THE WALL AND BUTTED TIGHTLY AGAINST SLEEVE. THE SLIT EDGES OF SLEEVE TO BE BENT 90 DEGREES TOWARD PIPE. TWO MINIMUM 1/2 IN. WIDE BY 0.020 IN. THICK STAINLESS STEEL BAND CLAMPS SHALL BE TIGHTLY FASTENED AROUND SLEEVE ON BOTH SIDES OF WALL, APPROXIMATELY 1/2 IN. FROM THE WALL SURFACES AND 3/4 IN. FROM EACH END OF SLEEVE. MINNESOTA MINING & MFG. CO. - ULTRA QS
 - FILL, VOID OR CAVITY MATERIALS* - CAULK - MINIMUM 1/2 IN. DIAMETER BEAD OF CAULK SHALL BE APPLIED TO OUTER PERIMETER OF SLEEVE ON BOTH SIDES OF WALL AT SLEEVE / WALL INTERFACE. MINNESOTA MINING & MFG. CO. - CP 25WB+ CAULK

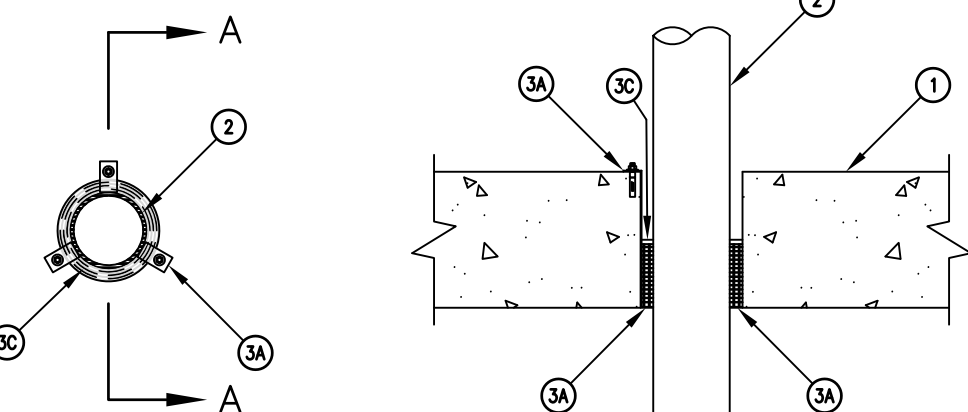
* BEARING THE UL CLASSIFICATION MARKING ++ BEARING THE UL LISTED MARK



NOT TO SCALE

SYSTEM NO. C-AJ-2002

May 18, 2005
F Rating - 2 Hr
T Rating - 0 and 2 Hr
L Rating at Ambient - 7 CFM/sq ft
L Rating at 400 F - less than 1 CFM/sq ft (See Item 3C)
W Rating - Class I (See Item 3)



SECTION A-A

- FLOOR OR WALL ASSEMBLY - MIN 2-1/2 IN. (64 MM) THICK LIGHTWEIGHT OR NORMAL WEIGHT (100-150 PCF OR 1600-2400 KG/M3) CONCRETE. WALL MAY ALSO BE CONSTRUCTED OF ANY UL CLASSIFIED CONCRETE BLOCKS*. MAX DIAM OF CIRCULAR OPENING IS 6-1/2 IN. (165 MM).
SEE CONCRETE BLOCKS (CAZT) CATEGORY IN THE FIRE RESISTANCE DIRECTORY FOR NAMES OF MANUFACTURERS.
- NONMETALLIC PIPE OR CONDUIT - NOM 4 IN. (102 MM) DIAM (OR SMALLER) SCHEDULE 40 SOLID CORE OR CELLULAR CORE, POLYVINYL CHLORIDE (PVC) PIPE FOR USE IN CLOSED (PROCESS OR SUPPLY) OR VENTED (DRAIN, WASTE OR VENT) PIPING SYSTEMS OR RIGID NONMETALLIC CONDUIT++ OR SDR 13.5 CHLORINATED POLYVINYL CHLORIDE (CPVC) PIPE FOR USE IN CLOSED (PROCESS OR SUPPLY) PIPING SYSTEMS. A MAX OF ONE PIPE OR CONDUIT IS PERMITTED IN THE FIRESTOP SYSTEM. EXCEPT AS NOTED IN ITEM B, THE PIPE OR CONDUIT SHALL BE CENTERED IN THE THROUGH OPENING. PIPE OR CONDUIT TO BE RIGIDLY SUPPORTED ON BOTH SIDES OF FLOOR OR WALL ASSEMBLY.
SEE RIGID NONMETALLIC CONDUIT (DZXT) CATEGORY IN THE UL ELECTRICAL CONSTRUCTION MATERIALS DIRECTORY FOR NAMES OF MANUFACTURERS.
- FIRESTOP SYSTEM - THE HOURLY T RATINGS FOR THE FIRESTOP SYSTEM ARE DEPENDENT UPON THE FIRESTOP ORIENTATION (WALL OR FLOOR), THE SIZE OF THE THROUGH OPENING, THE TYPE OF THE NONMETALLIC PIPE OR CONDUIT, AND THE FLOOR THICKNESS, AS TABULATED BELOW:

ORIENTATION (a)	NOMINAL PIPE DIAMETER In. (mm)	ANNULAR SPACE In. (mm)	F RATING HR	T RATING HR
F(b)	1/2-2 (13-51 mm)	1/4-1 (6-25 mm)	2	0
F(b)	2-1/2, 3 (64, 76 mm)	1/2-1 (13-25 mm)	2	0
W,F	1/2-2 (13-51 mm)	1/4-1 (6-25 mm)	2	2
W,F	2-1/2, 3 (64, 76 mm)	1/2-1 (13-25 mm)	2	2
W,F	3-1/2, 4 (89, 102 mm)	3/4-1 (19-25 mm)	2	2

(a) W = WALL, F = FLOOR
(b) MIN CONCRETE FLOOR THICKNESS IS 2-1/2 IN. (64 MM).
THE DETAILS OF THE FIRESTOP SYSTEM SHALL BE AS FOLLOWS:

- STEEL SUPPORT CLIPS - NOM 1 IN. (25 MM) WIDE BY NOM 0.019 IN. (0.5 MM) THICK (28 GAUGE) GALV STEEL STRIPS FIELD-FORMED INTO "Z"-SHAPE WITH HEIGHT OF Z-SHAPE EQUAL TO THE FLOOR THICKNESS AND WITH WIDTH OF BOTTOM (AS INSTALLED) LEG OF SUFFICIENT LENGTH TO SPAN ANNULAR SPACE. TOP (AS INSTALLED) LEG OF Z-SHAPE TO BE MIN 2 IN. (51 MM) LONG AND MAY OR MAY NOT BE SECURED TO TOP SURFACE OF FLOOR WITH MASONRY ANCHORS. AS AN ALTERNATE TO THE Z-SHAPE CLIPS, THE GALV STEEL STRIPS MAY BE FORMED INTO "L"-SHAPE WITH HEIGHT EQUAL TO 2 IN. (51 MM) AND WITH BOTTOM (AS INSTALLED) LEG OF SUFFICIENT LENGTH TO SPAN ANNULAR SPACE. CLIPS SECURED TO OUTERMOST WRAP STRIP LAYER WITH STEEL WIRE THE PRIOR TO INSERTION IN THROUGH OPENING. MIN OF THREE STEEL SUPPORT CLIPS TO BE USED, SYMMETRICALLY LOCATED, WITH BOTTOM LEG OF CLIPS FLUSH WITH BOTTOM PLANE OF FLOOR. WHEN ANNULAR SPACE AROUND NOM 1/2 IN. TO 2 IN. (13 MM TO 51 MM) DIAM PIPE IN FLOOR ASSEMBLY IS 1/4 IN. TO 3/8 IN. (6 MM TO 10 MM), STEEL SUPPORT CLIPS ARE NOT REQUIRED.
- FILL, VOID OR CAVITY MATERIALS* - WRAP STRIP - NOM 1/4 IN. (6 MM) THICK INTUMESCENT ELASTOMERIC MATERIAL FACED ON ONE SIDE WITH ALUMINUM FOIL, SUPPLIED IN 2 IN. (51 MM) WIDE STRIPS. NOM 2 IN. (51 MM) WIDE STRIPS TIGHTLY WRAPPED AROUND NONMETALLIC PIPE (FOIL SIDE EXPOSED) TO FILL ANNULAR SPACE AROUND PIPE. A MIN OF ONE LAYER OF WRAP STRIP IS REQUIRED FOR NOM 1/2 IN. TO 2 IN. (13 MM TO 51 MM) DIAM PIPES. A MIN OF TWO LAYERS OF WRAP STRIP IS REQUIRED FOR NOM 2-1/2 IN. AND 3 IN. (64 MM AND 76 MM) DIAM PIPES. A MIN OF THREE LAYERS OF WRAP STRIP IS REQUIRED FOR NOM 3-1/2 IN. AND 4 IN. (89 MM AND 102 MM) DIAM PIPES. EACH LAYER OF WRAP STRIP TO BE INSTALLED WITH BUTTED SEAM WITH BUTTED SEAMS IN SUCCESSIVE LAYERS STAGGERED. WRAP STRIP LAYERS SECURELY BOUND WITH STEEL WIRE OR ALUMINUM FOIL TAPE AND SLID INTO THROUGH OPENING SUCH THAT THE BOTTOM EDGES ARE FLUSH WITH THE BOTTOM PLANE OF THE FLOOR AND ARE RESTING ON THE STEEL SUPPORT CLIP LEGS. WHEN NOM 2 IN. TO 4 IN. (51 MM TO 102 MM) DIAM PVC PIPE IS USED IN MIN 4-1/2 IN. (114 MM) THICK CONCRETE FLOOR, THE PIPE MAY BE INSTALLED ECCENTRICALLY IN THE THROUGH OPENING (MIN ZERO CLEARANCE AT POINT CONTACT LOCATION) PROVIDED THAT (1) THE INSIDE DIAM OF THE THROUGH OPENING IS 1.3 TO 1.5 TIMES LARGER THAN THE OUTSIDE DIAM OF THE PIPE, (2) THE ANNULAR SPACE BETWEEN THE PIPE AND THE SIDES OF THE OPENING AT THE BOTTOM 2 IN. (51 MM) OF THE THROUGH OPENING IS COMPLETELY FILLED WITH WRAP STRIP LAYERS INSTALLED FOLLOWING THE CONTOUR OF THE PIPE AND (3) THE BOTTOM EDGES OF THE WRAP STRIP LAYERS ARE RELIABLY SUPPORTED BY "Z"-SHAPED STEEL SUPPORT CLIPS ANCHORED TO THE TOP SURFACE OF THE CONCRETE FLOOR. IN WALL ASSEMBLIES, THE WRAP STRIP LAYERS ON THE NONMETALLIC PIPE ARE TO BE INSTALLED IN THE SAME MANNER USED FOR FLOOR ASSEMBLIES, BUT SHALL BE INSTALLED SYMMETRICALLY ON BOTH SIDES OF THE WALL WITH THE EXPOSED EDGES OF THE WRAP STRIP LAYERS FLUSH WITH THE WALL SURFACES.
- FILL, VOID OR CAVITY MATERIALS* - CAULK OR SEALANT - MIN 1/4 IN. (6 MM) DIAM CONTINUOUS BEAD APPLIED TO INSIDE WALLS OF THROUGH OPENING PRIOR TO INSTALLATION OF STEEL SUPPORT CLIPS AND/OR WRAP STRIP. CAULK BEAD TO BE RECESSED 1 IN. (25 MM) FROM THE BOTTOM PLANE OR FLOOR. IN WALL ASSEMBLIES, CAULK BEAD TO BE RECESSED 1 IN. (25 MM) FROM WALL SURFACE ON BOTH SIDES OF WALL. IN FLOOR ASSEMBLIES, A NOM 1/2 IN. (13 MM) THICK COATING OF CAULK IS TO BE APPLIED TO THE TOP EDGES OF THE WRAP STRIP LAYERS AND TO FILL ALL GAPS AT THE WRAP STRIP / CONCRETE INTERFACE. IN WALL ASSEMBLIES, THE EXPOSED EDGES OF THE WRAP STRIP LAYERS AND ALL GAPS AT THE WRAP STRIP / CONCRETE INTERFACE ON BOTH SIDES OF THE WALL TO BE COATED WITH THIN LAYER OF CAULK.
(NOTE: W RATING APPLIES ONLY WHEN FB-3000 WT SEALANT IS USED. CP 25WB+ NOT SUITABLE FOR USE WITH CPVC PIPES.)
*BEARING THE UL CLASSIFICATION MARKING ++BEARING UL LISTING MARK



NOT TO SCALE

REVIEW SET
(NOT FOR CONSTRUCTION)
03/21/2022

ATP ENGINEERING SOUTH
BRADENTON, FLORIDA
ENGR. BUSINESS #8908
941-751-6485

ATP ENGINEERING SOUTH

DATE: _____
REF. DESCRIPTION: _____

PUBLIC WORKS WTP OFFICE
BUILDING GENERATOR
8500 69TH ST E, PALMETTO, FL 34221

ELECTRICAL SPECS

DRAWING TITLE: _____
FILENAME: _____

JOB NO.: _____ JOB NUMBER: _____
DATE: _____ DATE: _____

PLOT SIZE: 1:1
DRAWN BY: HG
CHECKED BY: MC
SHEET No.: _____

E6.0

GENERATOR SITE REQUIREMENT SPECIFICATIONS:

- A. THIS SECTION PROVIDES THE BASIC REQUIREMENTS FOR THE GENERATOR.
B. PROVIDE ELECTRICAL PANEL FOR ALL ACCESSORIES IN THE GENERATOR AREA AND A TRANSFORMER AS REQUIRED. CONNECT A SMALL SEPARATE BREAKER FOR THE ACCESSORY PANEL.
C. PROVIDE AN LED LIGHT IN THE GENERATOR ENCLOSURE AREA FOR WORK UNDER LOW LIGHT HOURS.
D. FACTORY START-UP SHALL BE DONE TO START THE WARRANTY PERIOD OF AT LEAST 3 YEARS- COMPREHENSIVE.
E. STAIRS MEETING ADA STANDARDS SHALL BE SUPPLIED AS REQUIRED. IF THE GENERATOR MANUFACTURER DOES NOT SUPPLY STAIRS, THEN THE CONTRACTOR WILL NEED TO SUPPLY STAIRS FOR THE GENERATOR.
1) ADDITIONAL ELECTRICAL CONTRACTOR COMMENTS:
A. ALL FDEP, EPA, AND GOVERNMENTAL STANDARDS SHALL BE MET FOR FUEL TYPE (DIESEL). THE PAPERWORK FOR THE FDEP AND EPA REQUIREMENTS SHALL BE FILLED OUT BY THE INSTALLING CONTRACTOR. THE ON-SITE FUEL STORAGE IS LESS THAN 500 GALLONS FOR THE SPECIFIED UNIT. THERE IS AN UNDERBELLY TANK ON THE NEW GENERATOR.
B. ALL REQUIREMENTS SHALL BE PROVIDED AND INSTALLED BY THE ELECTRICAL CONTRACTOR FOR THE INSTALLATION OF THE GENERATOR. SYSTEM SHALL BE A LEVEL 2 SYSTEM (NON-CRITICAL) AS DEFINED IN NFPA 110.
C. ALL EQUIPMENT SHALL BE INSTALLED ABOVE FLOOD PLANE.
D. HAVE THE MANUFACTURER PROVIDE A SERVICE/MAINTENANCE CONTRACT FOR AT LEAST 5 YEARS. MAINTENANCE AND SERVICE IS THE RESPONSIBILITY OF THE OWNER. EQUIPMENT IS REQUIRED TO BE MAINTAINED.

AUTOMATIC TRANSFER SWITCH SPECIFICATIONS:

- 1.01 SCOPE
A. FURNISH AND INSTALL AUTOMATIC TRANSFER SWITCHES (ATS) WITH NUMBER OF POLES, AMPERAGE, VOLTAGE, AND WITHSTAND CURRENT RATINGS AS SHOWN ON THE PLANS. EACH AUTOMATIC TRANSFER SHALL CONSIST OF AN INHERENTLY DOUBLE THROW POWER TRANSFER SWITCH UNIT AND A MICROPROCESSOR CONTROLLER, INTERCONNECTED TO PROVIDE COMPLETE AUTOMATIC OPERATION.
B. FURNISH AN ENCLOSURE FOR THE ATS THAT IS FOR SERVICE ENTRY. IT SHALL PROVIDE ALL OF THE PROPER DISCONNECTING, PROTECTION, GROUNDING AND BONDING REQUIRED FOR SERVICE ENTRANCE EQUIPMENT. BREAKERS ON BOTH THE INCOMING SERVICES AT THE ATS.
1.02 ACCEPTABLE MANUFACTURERS
SERVICE ENTRANCE AUTOMATIC TRANSFER SWITCHES SHALL BE ASCO SERIES JOOSE OR EQUIVALENT SERVICE ENTRANCE RATED AUTOMATIC TRANSFER SWITCH. ANY ALTERNATE SHALL BE SUBMITTED TO THE ENGINEER IN WRITING AT LEAST 10 DAYS PRIOR TO BID. EACH ALTERNATE BID MUST LIST ANY DEVIATIONS FROM THIS SPECIFICATION.
1.03 CODES AND STANDARDS
THE AUTOMATIC TRANSFER SWITCHES AND ACCESSORIES SHALL CONFORM TO THE REQUIREMENTS OF:
A. UL 1008 - STANDARD FOR AUTOMATIC TRANSFER SWITCHES
B. NFPA 70 - NATIONAL ELECTRICAL CODE
C. NFPA 110 - EMERGENCY AND STANDBY POWER SYSTEMS
D. IEEE STANDARD 446 - IEEE RECOMMENDED PRACTICE FOR EMERGENCY AND STANDBY POWER SYSTEMS FOR COMMERCIAL AND INDUSTRIAL APPLICATIONS
E. NEMA STANDARD ICS10-1993 (FORMERLY ICS2-447) - AC AUTOMATIC TRANSFER SWITCHES
F. NEC ARTICLES 700, 701, 702
G. INTERNATIONAL STANDARDS ORGANIZATION ISO 9001
H. UL 891 ACCORDING TO THIS UL STANDARD THE EQUIPMENT SHALL BE LABELED:
"SUITABLE FOR USE ONLY AS SERVICE EQUIPMENT."
I. UL 508 INDUSTRIAL CONTROL EQUIPMENT

- PART 2 PRODUCTS
2.01 MECHANICALLY HELD TRANSFER SWITCH
A. THE TRANSFER SWITCH UNIT SHALL BE ELECTRICALLY OPERATED AND MECHANICALLY HELD. THE ELECTRICAL OPERATOR SHALL BE A SINGLE-SOLENOID MECHANISM, MOMENTARILY ENERGIZED. MAIN OPERATORS WHICH INCLUDE OVERCURRENT DISCONNECT DEVICES WILL NOT BE ACCEPTED. THE SWITCH SHALL BE MECHANICALLY INTERLOCKED TO ENSURE ONLY ONE OF TWO POSSIBLE POSITIONS, NORMAL OR EMERGENCY.
B. THE SWITCH SHALL BE POSITIVELY LOCKED AND UNAFFECTED BY MOMENTARY OUTAGES SO THAT CONTACT PRESSURE IS MAINTAINED AT A CONSTANT VALUE AND TEMPERATURE RISE AT THE CONTACTS IS MINIMIZED FOR MAXIMUM RELIABILITY AND OPERATING LIFE.
C. ALL MAIN CONTACTS SHALL BE SILVER COMPOSITION. SWITCHES RATED 600 AMPERES AND ABOVE SHALL HAVE SEGMENTED, BLOW-ON CONSTRUCTION FOR HIGH WITHSTAND CURRENT CAPABILITY AND BE PROTECTED BY SEPARATE ARCING CONTACTS.
D. INSPECTION OF ALL CONTACTS SHALL BE POSSIBLE FROM THE FRONT OF THE SWITCH WITHOUT DISASSEMBLY OF OPERATING LINKAGES AND WITHOUT DISCONNECTION OF POWER CONDUCTORS. A MANUAL OPERATING HANDLE SHALL BE PROVIDED FOR MAINTENANCE PURPOSES. THE HANDLE SHALL PERMIT THE OPERATOR TO MANUALLY STOP THE CONTACTS AT ANY POINT THROUGHOUT THEIR ENTIRE TRAVEL TO INSPECT AND SERVICE THE CONTACTS WHEN REQUIRED.
E. DESIGNS UTILIZING COMPONENTS OF MOLDED-CASE CIRCUIT BREAKERS, CONTACTORS, OR PARTS THEREOF WHICH ARE NOT INTENDED FOR CONTINUOUS DUTY, REPETITIVE SWITCHING OR TRANSFER BETWEEN TWO ACTIVE POWER SOURCES ARE NOT ACCEPTABLE.
F. WHERE NEUTRAL CONDUCTORS MUST BE SWITCHED, THE ATS SHALL BE PROVIDED WITH FULLY-RATED NEUTRAL TRANSFER CONTACTS. REFER TO GENERATOR MANUFACTURER'S REQUIREMENTS.
G. WHERE NEUTRAL CONDUCTORS ARE TO BE SOLIDLY CONNECTED, A NEUTRAL TERMINAL PLATE WITH FULLY-RATED AL-CU PRESSURE CONNECTORS SHALL BE PROVIDED.

- 2.02 MICROPROCESSOR CONTROLLER WITH MEMBRANE INTERFACE PANEL
A. THE CONTROLLER SHALL DIRECT THE OPERATION OF THE TRANSFER SWITCH. THE CONTROLLER'S SENSING AND LOGIC SHALL BE CONTROLLED BY A BUILT-IN MICROPROCESSOR FOR MAXIMUM RELIABILITY, MINIMUM MAINTENANCE, AND INHERENT SERIAL COMMUNICATIONS CAPABILITY. THE CONTROLLER SHALL BE CONNECTED TO THE TRANSFER SWITCH BY AN INTERCONNECTING WIRING HARNESS. THE HARNESS SHALL INCLUDE A KEYPAD DISCONNECT PLUG TO ENABLE THE CONTROLLER TO BE DISCONNECTED FROM THE TRANSFER SWITCH FOR ROUTINE MAINTENANCE.
B. THE CONTROLLER SHALL BE ENCLOSED WITH A PROTECTIVE COVER AND BE MOUNTED SEPARATE FROM THE TRANSFER SWITCH UNIT FOR SAFETY AND EASE OF MAINTENANCE. SENSING AND CONTROL LOGIC SHALL BE PROVIDED ON PRINTED CIRCUIT BOARDS. INTERFACING RELAYS SHALL BE INDUSTRIAL GRADE PLUG-IN TYPE WITH DUST COVERS.
C. THE CONTROLLER SHALL MEET OR EXCEED THE REQUIREMENTS FOR ELECTROMAGNETIC COMPATIBILITY (EMC) AS FOLLOWS:
1. ANSI C37.90A/IEEE 472 VOLTAGE SURGE TEST
2. NEMA ICS - 109.21 IMPULSE WITHSTAND TEST
3. IEC801-2 ELECTROSTATIC DISCHARGE (ESD) IMMUNITY
4. EN50140 AND IEC 801 - 3 RADIATED ELECTROMAGNETIC FIELD IMMUNITY
5. IEC 801 - 4 ELECTRICAL FAST TRANSIENT (EFT) IMMUNITY
6. EN50142 SURGE TRANSIENT IMMUNITY
7. EN50141: CONDUCTED RADIO-FREQUENCY FIELD IMMUNITY
8. EN55011: GROUP 1, CLASS A CONDUCTED AND RADIATED EMISSIONS
9. EN61000 -4 - 11 VOLTAGE DIPS AND INTERRUPTIONS IMMUNITY

- 2.03 ENCLOSURE
A. THE ATS SHALL BE FURNISHED IN A NEMA TYPE 3R ENCLOSURE UNLESS OTHERWISE SHOWN ON THE PLANS.
B. PROVIDE STRIP HEATER WITH THERMOSTAT FOR TYPE 3R ENCLOSURE REQUIREMENTS.
C. CONTROLLER SHALL BE FLUSH-MOUNTED DISPLAY WITH LED INDICATORS FOR SWITCH POSITION AND SOURCE AVAILABILITY. IT SHALL ALSO INCLUDE TEST AND TIME DELAY BYPASS SWITCHES.
D. THE COMPLETE ASSEMBLY SHALL BE DEGREASED, AND THOROUGHLY CLEANED THROUGH A FIVE-STAGE AQUEOUS PROCESS. THE FINISH SHALL BE ANSI-61, LIGHT GRAY, ELECTROSTATICALLY-CHARGED POLYESTER POWDER PAINT OVER A PHOSPHATE COATING, AT A MINIMUM OF 2.0 MILS IN DENSITY. FINISH SHALL BE SUITABLE FOR INDOOR AND OUTDOOR ENVIRONMENTS.
E. FOR THOSE AUTOMATIC TRANSFER SWITCHES THAT ARE LESS THAN 1000 AMPERES, THE CONNECTION BETWEEN THE NORMAL DISCONNECTING DEVICE AND THE ATS SHALL BE MADE WITH THE APPROPRIATE SIZE CABLE. FOR THOSE AUTOMATIC TRANSFER SWITCHES THAT ARE GREATER THAN 1000 AMPERES, THE CONNECTION BETWEEN THE NORMAL DISCONNECTING DEVICE AND THE ATS SHALL BE MADE WITH THE APPROPRIATE SIZE BUS. BUS SHALL BE SILVER PLATED COPPER RATED NO LESS THAN 1000 AMPS PER SQUARE INCH.
F. A PRESSURE DISCONNECT LINK SHALL BE PROVIDED TO DISCONNECT THE NORMAL SOURCE NEUTRAL CONNECTION FROM THE EMERGENCY AND LOAD NEUTRAL CONNECTIONS FOR 4-WIRE APPLICATIONS. A GROUND BUS SHALL BE PROVIDED FOR CONNECTION OF THE GROUNDING CONDUCTOR TO THE GROUNDING ELECTRODE. A PRESSURE DISCONNECT LINK FOR THE NEUTRAL TO GROUND BONDING JUMPER SHALL BE PROVIDED TO CONNECT THE NORMAL NEUTRAL CONNECTION TO THE GROUND BUS.
G. CONTROL WIRING SHALL BE RATED FOR 600 VOLT, UL 1015. WIRES SHALL BE PLACED IN WIRE DUCT OR HARNESS, AND SHALL BE SUPPORTED TO PREVENT SAGGING OR BREAKAGE FROM WEIGHT OR VIBRATION. ALL WIRING TO HINGED DOORS SHALL BE RUN THROUGH DOOR TERMINAL BLOCKS OR CONNECTION PLUGS.

- 2.04 DISCONNECTING AND OVERCURRENT PROTECTION DEVICE
A. FOR THOSE AUTOMATIC TRANSFER SWITCHES LESS THAN 1000 AMPERES, THE NORMAL CONNECTION SHALL BE PROVIDED WITH AN INSULATED CASE BREAKER WITH TRIP PROTECTION WITH CURRENT RATINGS AS SHOWN ON THE PLANS.

- PART 3 OPERATION
3.01 VOLTAGE AND FREQUENCY SENSING
A. THE VOLTAGE OF EACH PHASE OF THE NORMAL SOURCE SHALL BE MONITORED, WITH PICKUP ADJUSTABLE TO 95% OF NOMINAL AND DROPOUT ADJUSTABLE FROM 70% TO 90% OF PICKUP SETTING.
B. SINGLE-PHASE VOLTAGE AND FREQUENCY SENSING OF THE EMERGENCY SOURCE SHALL BE PROVIDED.
3.02 TIME DELAYS
A. AN ADJUSTABLE TIME DELAY SHALL BE PROVIDED TO OVERRIDE MOMENTARY NORMAL SOURCE OUTAGES AND DELAY ALL TRANSFER AND ENGINE STARTING SIGNALS.
B. AN ADJUSTABLE TIME DELAY SHALL BE PROVIDED ON TRANSFER TO EMERGENCY, ADJUSTABLE FROM 0 TO 5 MINUTES FOR CONTROLLED TIMING OF TRANSFER OF LOADS TO EMERGENCY.
C. AN ADJUSTABLE TIME DELAY SHALL BE PROVIDED ON RETRANSFER TO NORMAL, ADJUSTABLE TO 30 MINUTES. TIME DELAY SHALL BE AUTOMATICALLY BYPASSED IF EMERGENCY SOURCE FAILS AND NORMAL SOURCE IS ACCEPTABLE.
D. A 5-MINUTE COOLDOWN TIME DELAY SHALL BE PROVIDED ON SHUTDOWN OF ENGINE GENERATOR.
E. ALL ADJUSTABLE TIME DELAYS SHALL BE FIELD ADJUSTABLE WITHOUT THE USE OF TOOLS.

- 3.03 ADDITIONAL FEATURES
A. A SET OF GOLD-FLASHED CONTACTS RATED 10 AMPS, 32 VDC SHALL BE PROVIDED FOR A LOW-VOLTAGE ENGINE START SIGNAL. THE START SIGNAL SHALL PREVENT DRY CRANKING OF THE ENGINE BY REQUIRING THE GENERATOR SET TO REACH PROPER OUTPUT, AND RUN FOR THE DURATION OF THE COOL DOWN SETTING, REGARDLESS OF WHETHER THE NORMAL SOURCE RESTORES BEFORE THE LOAD IS TRANSFERRED.
B. A PUSH-BUTTON TYPE TEST SWITCH SHALL BE PROVIDED TO SIMULATE A NORMAL SOURCE FAILURE.
C. A PUSH-BUTTON TYPE SWITCH TO BYPASS THE TIME DELAY ON TRANSFER TO EMERGENCY, THE ENGINE EXERCISER PERIOD ON THE RETRANSFER TO NORMAL TIME DELAY WHICHEVER DELAY IS ACTIVE AT THE TIME THE PUSH-BUTTON IS ACTIVATED.
D. AUXILIARY CONTACTS, RATED 10 AMPS, 250 VAC SHALL BE PROVIDED CONSISTING OF ONE CONTACT, CLOSED WHEN THE ATS IS CONNECTED TO THE NORMAL SOURCE AND ONE CONTACT, CLOSED, WHEN THE ATS IS CONNECTED TO THE EMERGENCY SOURCE.
E. INDICATING LIGHTS SHALL BE PROVIDED, ONE TO INDICATE WHEN THE ATS IS CONNECTED TO THE NORMAL SOURCE (GREEN) AND ONE TO INDICATE WHEN THE ATS IS CONNECTED TO THE EMERGENCY SOURCE (RED). ALSO PROVIDE INDICATING LIGHTS FOR BOTH NORMAL AND EMERGENCY SOURCE AVAILABILITY.
F. TERMINALS SHALL BE PROVIDED TO INDICATE ACTUAL AVAILABILITY OF THE NORMAL AND EMERGENCY SOURCES, AS DETERMINED BY THE VOLTAGE SENSING PICKUP AND DROPOUT SETTINGS FOR EACH SOURCE.
ENGINE EXERCISER - AN ENGINE GENERATOR EXERCISING TIMER SHALL BE PROVIDED, INCLUDING A SELECTOR SWITCH TO SELECT EXERCISE WITH OR WITHOUT LOAD TRANSFER.

- H. INPHASE MONITOR - AN INPHASE MONITOR SHALL BE INHERENTLY BUILT INTO THE CONTROLS. THE MONITOR SHALL CONTROL TRANSFER SO THAT MOTOR LOAD INRUSH CURRENTS DO NOT EXCEED NORMAL STARTING CURRENTS, AND SHALL NOT REQUIRE EXTERNAL CONTROL OF POWER SOURCES. THE INPHASE MONITOR SHALL BE SPECIFICALLY DESIGNED FOR AND BE THE PRODUCT OF THE ATS MANUFACTURER.

- I. SELECTIVE LOAD DISCONNECT - A DOUBLE THROW CONTACT SHALL BE PROVIDED TO OPERATE AFTER A TIME DELAY, ADJUSTABLE TO 20 SECONDS PRIOR TO TRANSFER AND RESET 0 TO 20 SECONDS AFTER TRANSFER. THIS CONTACT CAN BE USED TO SELECTIVELY DISCONNECT SPECIFIC LOAD(S) WHEN THE TRANSFER SWITCH IS TRANSFERRED. OUTPUT CONTACTS SHALL BE RATED 6 AMPS AT 24 VDC OR 120 VAC.

OPTIONAL ACCESSORIES (PROVIDE OWNER'S REP WITH THE FOLLOWING OPTIONS):

- A. COMMUNICATIONS INTERFACE - SERIAL MODULE (5110) TO ALLOW LOCAL OR REMOTE COMMUNICATIONS WITH ASCO POWERQUEST OR STEWEB COMMUNICATION PRODUCTS. TO CONNECT SERIES 300 SERVICE ENTRANCE AUTOMATIC TRANSFER SWITCHES, AND ASCO ATS ANNUNCIATORS TO THE SERIAL NETWORK VIA AN RS485 INTERFACE (ACCESSORY 72A).
B. PROGRAMMABLE ENGINE EXERCISER - A SEVEN OR FOURTEEN DAY PROGRAMMABLE ENGINE EXERCISER WITH DIGITAL READOUT DISPLAY. SHALL INCLUDE ONE FORM C CONTACT FOR AVAILABILITY OF NORMAL AND EMERGENCY. INCLUDE WITH OR WITHOUT LOAD CONTROL SWITCH FOR EXERCISER PERIOD. THE EXERCISER SHALL BE BACKED UP BY A PERMANENT BATTERY. (ACCESSORY 118G).
C. ENCLOSURE HEATER - A 125 WATT ENCLOSURE HEATER WITH TRANSFORMER AND THERMOSTAT (ADJUSTABLE FROM 30 TO 140 F) (ACCESSORY 44 G).
D. POWERQUEST (MONITORING SYSTEM)
A PC BASED AUTOMATIC TRANSFER SWITCH (ATS) MONITORING SYSTEM DESIGNED TO COMMUNICATE WITH OTHER ATSS LOCATED IN REMOTE LOCATIONS SHALL BE PROVIDED. SYSTEM SHALL UTILIZE SERIAL COMMUNICATIONS CAPABILITY INHERENT WITH THE ATS MICROPROCESSOR-BASED CONTROL PANEL PRODUCT OFFERING. REFER TO SEPARATE SUGGESTED SPECIFICATION.

PART 4 ADDITIONAL REQUIREMENTS

- 4.01 WITHSTAND AND CLOSING RATINGS
A. THE ATS SHALL BE RATED TO CLOSE ON AND WITHSTAND THE AVAILABLE RMS SYMMETRICAL SHORT CIRCUIT CURRENT AT THE ATS TERMINALS WITH THE TYPE OF OVERCURRENT PROTECTION SHOWN ON THE PLANS. WCR ATS RATINGS AS BE AS FOLLOWS WHEN USED WITH SPECIFIC CIRCUIT BREAKERS:
ATS SIZE WITHSTAND & CLOSING RATING (SEE KAIC CALCULATIONS AND RISER DIAGRAM FOR MINIMUM RATINGS)
4.02 TESTS AND CERTIFICATION
A. THE COMPLETE ATS SHALL BE FACTORY TESTED TO ENSURE PROPER OPERATION OF THE INDIVIDUAL COMPONENTS AND CORRECT OVERALL SEQUENCE OF OPERATION AND TO ENSURE THAT THE OPERATING TRANSFER TIME, VOLTAGE, FREQUENCY AND TIME DELAY SETTINGS ARE IN COMPLIANCE WITH THE SPECIFICATION REQUIREMENTS.
B. UPON REQUEST, THE MANUFACTURER SHALL PROVIDE A NOTARIZED LETTER CERTIFYING COMPLIANCE WITH ALL OF THE REQUIREMENTS OF THIS SPECIFICATION INCLUDING COMPLIANCE WITH THE ABOVE CODES AND STANDARDS, AND WITHSTAND AND CLOSING RATINGS. THE CERTIFICATION SHALL IDENTIFY, BY SERIAL NUMBER(S), THE EQUIPMENT INVOLVED. NO EXCEPTIONS TO THE SPECIFICATIONS, OTHER THAN THOSE STIPULATED AT THE TIME OF THE SUBMITTAL, SHALL BE INCLUDED IN THE CERTIFICATION.
C. THE ATS MANUFACTURER SHALL BE CERTIFIED TO ISO 9001 INTERNATIONAL QUALITY STANDARD AND THE MANUFACTURER SHALL HAVE THIRD PARTY CERTIFICATION VERIFYING QUALITY ASSURANCE IN DESIGN/DEVELOPMENT, PRODUCTION, INSTALLATION AND SERVICING IN ACCORDANCE WITH ISO 9001.
4.03 SERVICE REPRESENTATION
A. THE ATS MANUFACTURER SHALL MAINTAIN A NATIONAL SERVICE ORGANIZATION OF COMPANY-EMPLOYED PERSONNEL LOCATED THROUGHOUT THE CONTIGUOUS UNITED STATES. THE SERVICE CENTER'S PERSONNEL MUST BE FACTORY TRAINED AND MUST BE ON CALL 24 HOURS A DAY, 365 DAYS A YEAR.
B. EMERGENCY RESPONSE TIME TO THE SITE MUST BE WITHIN 24 HOURS.
C. THE MANUFACTURER SHALL MAINTAIN RECORDS OF EACH SWITCH, BY SERIAL NUMBER, FOR A MINIMUM OF 20 YEARS.
D. FOR EASE OF MAINTENANCE AND PARTS REPLACEMENT, THE SWITCH NAMEPLATE SHALL INCLUDE DRAWING NUMBERS, PART NUMBERS FOR MAIN COIL AND CONTROL.

LEAK DETECTION AND MONITORING SYSTEM SPECS:

THE ELECTRICAL CONTRACTOR SHALL PROVIDE POWER, CONDUITS, AND COMMUNICATIONS SYSTEMS FOR THE LEAK DETECTION MONITORING SYSTEMS.

ALL TANKS SHALL HAVE A LEAK DETECTION SYSTEM INSTALLED FOR ELECTRONIC DETECTION. A HORN/STROBE NOTIFICATION DEVICE, PUMP AND GENERATOR SHUTDOWN CONTROLS, AND A MONITORING SYSTEM SHALL BE PROVIDED AND INSTALLED WITH ALL OF THE PIPING AND EACH OF THE TANKS. THE LEAK DETECTION SYSTEM SHALL BE ABLE TO BE MONITORED VIA THE ETHERNET OR NETWORK SYSTEMS PER THE COUNTY. AN EMERGENCY DIALER SYSTEM SHALL BE INSTALLED WITH AN AUTODIALER TO CALL THE CITY PERSONNEL IF THERE IS A LEAK OR EMERGENCY SITUATION. THE REMOTE ANNUNCIATOR SHALL BE LABELLED AS: "DIESEL FUEL LEAK DETECTOR (WITH TANK IDENTIFIERS)" AND INSTALLED IN AN OWNER SPECIFIED LOCATION. ALL OF THE TANKS AND PIPING SHALL BE ON A SINGLE CONTINUOUS LEAK ALARM SYSTEM TO COORDINATE ALL COMPONENTS ON THE SINGLE SYSTEM. THE SYSTEM SHALL MEET ALL UL LISTING REQUIREMENTS AND GOVERNMENTAL APPROVALS. EXAMPLES OF LEAK DETECTION SYSTEM IS: TRACETEK (BY TYCO THERMAL/JOHNSON CONTROLS) OR A TIS SYSTEM BY VEEDER ROOT WITH THE APPROPRIATE CABLES AND EQUIPMENT. ALL EQUIPMENT SHALL BE PROVIDED AND INSTALLED TO MAKE A COMPLETE LEAK DETECTION SYSTEM. THE LEAK DETECTION SYSTEM SHALL HAVE A EMERGENCY SHUT OFF SWITCH CONNECTED TO THE SUPPLY AND RETURN PUMPS FOR THE GENERATOR SYSTEM AS AN EMERGENCY SHUT OFF AND PROVIDE A WARNING LIGHT ON THE LABELED REMOTE ANNUNCIATOR.

PROVIDE AND INSTALL A MECHANICAL TANK FUEL LEVEL GAGE ON ALL TANKS TO MONITOR FUEL TANK LEVEL FROM EMPTY TO FULL AND LOCATE ON TOP OF THE TANK NEAR THE FUEL FILL.

GENERATOR SPECIFICATIONS:

- 1. PROVIDE A COMPLETE, OPERATING (SYNCHRONOUS) GENERATOR SYSTEM THAT MEETS OR EXCEEDS EPA EMISSIONS REGULATIONS IN FLORIDA. FUEL TYPE IS DIESEL. SIZE OF SYSTEM INDICATES A TIER 4 UNIT.
2. MINIMUM STANDBY POWER RATING OF 46KW/57KVA AT 60HZ, 240 VOLTS THREE PHASE-FOUR WIRE SYSTEM- POWER FACTOR OF 0.8.
COUNTY ACCEPTABLE GENERATOR MANUFACTURERS: CATERPILLAR, KOHLER, ONAN, AND CUMMINS
STANDARD EQUIPMENT:
3. ALL INPUT CONNECTIONS MUST BE EASILY ACCESSIBLE FOR MAINTENANCE AND INSTALLATION.(ONE LOCALIZED AREA FOR THE CONNECTIONS IF POSSIBLE)
4. HIGH COOLANT TEMPERATURE SHUTDOWN.
5. LOW OIL PRESSURE SHUTDOWN.
6. LOW COOLANT SHUTDOWN.
7. LOW FUEL PRESSURE WARNING OR SHUTDOWN.
8. OVER SPEED AUTOMATIC SHUTDOWN.
9. ADJUSTABLE CRANKING TIMER.
10. ADJUSTABLE EXERCISE TIMER.
11. OIL DRAIN EXTENSION TO FRAME RAIL.
12. COOL FLOW RADIATOR. RADIATOR DRAIN EXTENSION.
13. CLOSED COOLANT RECOVERY SYSTEM.
14. UV/O-ZONE RESISTANT HOSES
15. WATER TIGHT ELECTRICAL CONNECTORS.
16. MAINLINE CIRCUIT BREAKER (200 AMPS FOR 3-PHASE 240V 60HZ SYSTEM WITH AN EXTRA SET OF LUGS OR SEPARATE CONNECTION FOR LOAD TESTING) ON THE GENERATOR SYSTEM.
17. BATTERY CHARGE ALTERNATOR, STATIC BATTERY CHARGER, BATTERY, BATTERY CABLES, BATTERY RACK.
18. FAN AND BELT GUARDS.
19. ISOCHRONOUS, ELECTRONIC GOVERNOR. STEADY STATE REGULATION OF +/- 0.25%.
20. COOLANT HEATER OR BLOCK HEATER (IF REQUIRED FOR OPERATION AT SITE ENVIRONMENTAL CONDITIONS).

- 21. FULLY PROTOTYPE TESTED
22. UL2200 LISTED, MEETS NFPA 110, LEVEL 1 CAPABILITY
23. SOLID STATE FREQUENCY COMPENSATED DIGITAL VOLTAGE REGULATOR.
24. DYNAMIC AND STATIC BATTERY CHARGER.
25. SOUND ATTENUATED ACOUSTICALLY DESIGNED WEATHER ENCLOSURE WITH EXHAUST SILENCER, SELF VENTILATED AND DRIP PROOF CONSTRUCTION. CONSTRUCTION OF ENCLOSURE SHALL BE STAINLESS STEEL OR EQUIVALENT WITH POWDER COAT OF PAINT FOR CORROSION RESISTANCE.
26. QUIET TEST FOR LOW NOISE LEVEL EXERCISE.
27. ACOUSTICALLY DESIGNED LOW NOISE AND HIGH WIND RATED MIAMI DADE ENCLOSURE.
28. HIGH FLOW LOW NOISE FACTORY ENGINEERED EXHAUST SYSTEM WITH WATER DEFLECTION.
29. DIGITAL CONTROL SYSTEM WITH MICROPROCESSOR CONTROL PANEL. CONTROLS SYSTEM SHOULD BE ABLE TO NOTIFY OWNER WITH REMOTE ANNUNCIATOR. REMOTE ANNUNCIATOR AND EMERGENCY STOP OPTIONS SHOULD BE INCLUDED IN THE BID PACKAGE.
30. BUILT-IN VOLTAGE, AMPERAGE, KW, KVAR, AND POWER FACTOR METERS.
31. RODENT PROOF CONSTRUCTION. LOCKS AND KEYS TO THE SYSTEM SHALL BE PROVIDED.
32. HIGH EFFICIENCY, LOW DISTORTION ALTERNATOR.
33. VIBRATION ISOLATED FROM MOUNTING BASE. STRUCTURAL STEEL SUPPORT BOLT-ABLE TO THE ISOLATION SUPPORT AND THE CONCRETE SUPPORT PAD.
34. TRANSFER SWITCHES WORK WITH THE GENERATOR AS A COMPLETE SYSTEM.
35. ALL COMPONENTS ARE EASILY ACCESSIBLE FOR MAINTENANCE. GAS FUEL SYSTEM INCLUDES: FUEL MIXER, MANUAL PLUG SHUT-OFF VALVES, ELECTRONIC SECONDARY GAS REGULATOR, GAS SOLENOID VALVES, AND FLEXIBLE FUEL LINE BETWEEN THE ENGINE AND THE SKID MOUNTED FUEL SYSTEM COMPONENTS.
36. INSULATION FOR SYSTEMS (ROTOR,STATOR) IS CLASS H RATED AT 150 DEGREES C RISE OR BETTER.
37. ALTERNATOR PROTECTION FROM L-N AND L-L SHORT CIRCUITS. A GROUND TO THE MAIN GROUNDING SYSTEM SHALL BE RUN FROM THE GENERATOR.
38. EMERGENCY STOP SWITCH AND A REMOTE EMERGENCY STOP SWITCH(NEMA 3R) FOR THE EXTERIOR OF THE BUILDING.
39. PROGRAMMABLE AUTO CRANK FUNCTION. ATS INTERFACE SHALL HAVE AT LEAST 4 SETS OF CONTACTS FOR CONTROLLED START/STOP FUNCTION.
40. TOTAL HARMONIC DISTORTION (THD) < 3.5% FOR GENERATOR SYSTEM.
41. TELEPHONE INTERFACE FACTOR (TIF) < 50
42. MUST BE FUNCTIONAL IN SOUTH FLORIDA ENVIRONMENTAL CONDITIONS: TEMPERATURES DOWN TO FREEZING, TEMPERATURES UP TO 104 DEGREES F, EXTREME RAIN AND CORROSIVE ENVIRONMENTS, FLORIDA BUILDING CODE REQUIREMENTS FOR WIND LOADING- 140 MPH.
43. VOLTAGE REGULATION: FULL DIGITAL TYPE PREFERRED, 3-PHASE SENSING, REGULATION OF +/- 0.25% VOLTAGE AND GAIN SHOULD BE ADJUSTABLE THROUGH CONTROL PANEL.
44. GENERATOR RATING AND PERFORMANCE IN ACCORDANCE WITH ISO8525-5, B55514, SAE J1349, ISO3046, AND DIN6271 STANDARDS.
45. FACTORY INSTRUCTIONS FOR THE INSTALLATION OF THE GENERATOR SHALL BE FOLLOWED. THE SYSTEM VOLTAGE AND CURRENTS SHOULD BE VERIFIED AFTER INSTALLATION. FACTORY OR FACTORY AUTHORIZED SERVICE REPRESENTATIVE SHALL PERFORM A 4 HOUR LOAD BANK TEST ON THE SYSTEM AFTER INSTALLATION. THE GENERATOR SYSTEM MUST MEET THE SPECIFICATIONS SET BY THE MANUFACTURER.
46. ALL FLUIDS AND BATTERY COMPONENTS SHALL BE PROVIDED BY THE INSTALLER/AUTHORIZED SERVICE REPRESENTATIVE. INCLUDING COOLANT, DEF, AND DIESEL FUEL TANK SHALL BE FILLED AS REQUIRED BY MANUFACTURER TO FOR TESTING.
47. THE FACTORY AND INSTALLER SHOULD PROVIDE AT LEAST A 3 YEAR WARRANTY ON ALL EQUIPMENT, COMPONENTS, AND LABOR AFTER INSTALLATION AND A WORKING VERIFICATION(1 HOUR LOAD TEST). A PRICE FOR AN OPTIONAL EXTENDED WARRANTY(5-10 YEARS OR MORE) AND OPTIONAL SERVICE CONTRACT FROM THE FACTORY AUTHORIZED SERVICE PROVIDER SHALL BE GIVEN TO MANATEE COUNTY GOVERNMENT- SERVICE SHALL BE PROVIDED THROUGH THE WARRANTY PERIOD TO MAINTAIN WARRANTY REQUIREMENTS.
48. THE GENERATOR SHALL BE PLACED TO LIMIT THE EXPOSURE OF FOLIAGE AND FLAMMABLE MATERIALS AWAY FROM THE EXHAUST. THE EXHAUST CAN REACH UPWARDS OF 600 DEGREES F AND CAN KILL TREES, FOLIAGE, AND CAUSE FIRES.

- FEATURES:
21. FULLY PROTOTYPE TESTED
22. UL2200 LISTED, MEETS NFPA 110, LEVEL 1 CAPABILITY
23. SOLID STATE FREQUENCY COMPENSATED DIGITAL VOLTAGE REGULATOR.
24. DYNAMIC AND STATIC BATTERY CHARGER.
25. SOUND ATTENUATED ACOUSTICALLY DESIGNED WEATHER ENCLOSURE WITH EXHAUST SILENCER, SELF VENTILATED AND DRIP PROOF CONSTRUCTION. CONSTRUCTION OF ENCLOSURE SHALL BE STAINLESS STEEL OR EQUIVALENT WITH POWDER COAT OF PAINT FOR CORROSION RESISTANCE.
26. QUIET TEST FOR LOW NOISE LEVEL EXERCISE.
27. ACOUSTICALLY DESIGNED LOW NOISE AND HIGH WIND RATED MIAMI DADE ENCLOSURE.
28. HIGH FLOW LOW NOISE FACTORY ENGINEERED EXHAUST SYSTEM WITH WATER DEFLECTION.
29. DIGITAL CONTROL SYSTEM WITH MICROPROCESSOR CONTROL PANEL. CONTROLS SYSTEM SHOULD BE ABLE TO NOTIFY OWNER WITH REMOTE ANNUNCIATOR. REMOTE ANNUNCIATOR AND EMERGENCY STOP OPTIONS SHOULD BE INCLUDED IN THE BID PACKAGE.
30. BUILT-IN VOLTAGE, AMPERAGE, KW, KVAR, AND POWER FACTOR METERS.
31. RODENT PROOF CONSTRUCTION. LOCKS AND KEYS TO THE SYSTEM SHALL BE PROVIDED.
32. HIGH EFFICIENCY, LOW DISTORTION ALTERNATOR.
33. VIBRATION ISOLATED FROM MOUNTING BASE. STRUCTURAL STEEL SUPPORT BOLT-ABLE TO THE ISOLATION SUPPORT AND THE CONCRETE SUPPORT PAD.
34. TRANSFER SWITCHES WORK WITH THE GENERATOR AS A COMPLETE SYSTEM.
35. ALL COMPONENTS ARE EASILY ACCESSIBLE FOR MAINTENANCE. GAS FUEL SYSTEM INCLUDES: FUEL MIXER, MANUAL PLUG SHUT-OFF VALVES, ELECTRONIC SECONDARY GAS REGULATOR, GAS SOLENOID VALVES, AND FLEXIBLE FUEL LINE BETWEEN THE ENGINE AND THE SKID MOUNTED FUEL SYSTEM COMPONENTS.
36. INSULATION FOR SYSTEMS (ROTOR,STATOR) IS CLASS H RATED AT 150 DEGREES C RISE OR BETTER.
37. ALTERNATOR PROTECTION FROM L-N AND L-L SHORT CIRCUITS. A GROUND TO THE MAIN GROUNDING SYSTEM SHALL BE RUN FROM THE GENERATOR.
38. EMERGENCY STOP SWITCH AND A REMOTE EMERGENCY STOP SWITCH(NEMA 3R) FOR THE EXTERIOR OF THE BUILDING.
39. PROGRAMMABLE AUTO CRANK FUNCTION. ATS INTERFACE SHALL HAVE AT LEAST 4 SETS OF CONTACTS FOR CONTROLLED START/STOP FUNCTION.
40. TOTAL HARMONIC DISTORTION (THD) < 3.5% FOR GENERATOR SYSTEM.
41. TELEPHONE INTERFACE FACTOR (TIF) < 50
42. MUST BE FUNCTIONAL IN SOUTH FLORIDA ENVIRONMENTAL CONDITIONS: TEMPERATURES DOWN TO FREEZING, TEMPERATURES UP TO 104 DEGREES F, EXTREME RAIN AND CORROSIVE ENVIRONMENTS, FLORIDA BUILDING CODE REQUIREMENTS FOR WIND LOADING- 140 MPH.
43. VOLTAGE REGULATION: FULL DIGITAL TYPE PREFERRED, 3-PHASE SENSING, REGULATION OF +/- 0.25% VOLTAGE AND GAIN SHOULD BE ADJUSTABLE THROUGH CONTROL PANEL.
44. GENERATOR RATING AND PERFORMANCE IN ACCORDANCE WITH ISO8525-5, B55514, SAE J1349, ISO3046, AND DIN6271 STANDARDS.
45. FACTORY INSTRUCTIONS FOR THE INSTALLATION OF THE GENERATOR SHALL BE FOLLOWED. THE SYSTEM VOLTAGE AND CURRENTS SHOULD BE VERIFIED AFTER INSTALLATION. FACTORY OR FACTORY AUTHORIZED SERVICE REPRESENTATIVE SHALL PERFORM A 4 HOUR LOAD BANK TEST ON THE SYSTEM AFTER INSTALLATION. THE GENERATOR SYSTEM MUST MEET THE SPECIFICATIONS SET BY THE MANUFACTURER.
46. ALL FLUIDS AND BATTERY COMPONENTS SHALL BE PROVIDED BY THE INSTALLER/AUTHORIZED SERVICE REPRESENTATIVE. INCLUDING COOLANT, DEF, AND DIESEL FUEL TANK SHALL BE FILLED AS REQUIRED BY MANUFACTURER TO FOR TESTING.
47. THE FACTORY AND INSTALLER SHOULD PROVIDE AT LEAST A 3 YEAR WARRANTY ON ALL EQUIPMENT, COMPONENTS, AND LABOR AFTER INSTALLATION AND A WORKING VERIFICATION(1 HOUR LOAD TEST). A PRICE FOR AN OPTIONAL EXTENDED WARRANTY(5-10 YEARS OR MORE) AND OPTIONAL SERVICE CONTRACT FROM THE FACTORY AUTHORIZED SERVICE PROVIDER SHALL BE GIVEN TO MANATEE COUNTY GOVERNMENT- SERVICE SHALL BE PROVIDED THROUGH THE WARRANTY PERIOD TO MAINTAIN WARRANTY REQUIREMENTS.
48. THE GENERATOR SHALL BE PLACED TO LIMIT THE EXPOSURE OF FOLIAGE AND FLAMMABLE MATERIALS AWAY FROM THE EXHAUST. THE EXHAUST CAN REACH UPWARDS OF 600 DEGREES F AND CAN KILL TREES, FOLIAGE, AND CAUSE FIRES.

ATP ENGINEERING SOUTH
BRADENTON, FLORIDA
ENGR. BUSINESS #8908
941-751-6485
ENGINEERING SOUTH
DATE
REV# DESCRIPTION

PUBLIC WORKS WTP OFFICE
BUILDING GENERATOR
8500 69TH ST E, PALMETTO, FL 34221

ELECTRICAL SPECS
FILE:
JOB NO.:
DATE:
DRAWN BY:
CHECKED BY:
SHEET No:
E6.1

REVIEW SET
(NOT FOR CONSTRUCTION)
03/21/2022

STRUCTURAL PAD DETAILS:

PAD DESIGN GENERAL NOTES:
1. GENERAL

- .1 THE STRUCTURAL PAD THAT IS DESCRIBE IN THESE DRAWINGS BEEN DESIGNED TO COMPLY WITH THE STRUCTURAL REQUIREMENTS OF THE 2020 FLORIDA BUILDING CODE (7TH EDITION).
 - .2 DESIGN LOADS:
THE FOUNDATION HAS BEEN DESIGNED TO SUPPORT A GENERATOR AND ENCLOSURE WITH THE COMBINED WEIGHT OF 10,000 LBS.
 - GENERATOR ENCLOSURE SHALL BE MIAMI-DADE RATED WITH ANCHOR BOLTS.
 - WIND LOAD CRITERIA: PER ASCE 7-10
BUILDING RISK CATEGORY (4) V= 156MPH (ULTIMATE 3 SEC GUST)
N/A - STRUCTURAL PAD (HT = 7" ABOVE GRADE)
OPEN STRUCTURE PAD (GCP1 = N/A)
 - .3 ALL DIMENSIONS SHALL BE COORDINATED WITH THE GENERATOR MANUFACTURER AND SITE LOCATIONS. REPORT ANY DISCREPANCIES TO THIS ENGINEER PRIOR TO MOVING FORWARD.COORDINATE ANCHOR BOLT SIZES AND LOCATIONS FOR GENERATOR AND GENERATOR ENCLOSURE WITH FINAL SHOP DRAWINGS FROM THE GENERATOR MANUFACTURER.
 - .4 COORDINATE ELECTRICAL CONDUITS AND PLUMBING LINES THROUGH THE PAD PRIOR TO POURING THE CONCRETE.
 - .5 DO NOT SCALE THE DRAWINGS.
 - .6 NO PROVISION HAS BEEN MADE IN THE STRUCTURAL DESIGN FOR TEMPORARY CONDITIONS OCCURRING DURING CONSTRUCTION, UNLESS SPECIFICALLY NOTED ON THE DRAWINGS. THE CONTRACTOR SHALL PROVIDE ALL NECESSARY SHORING AND BRACING REQUIRED TO RESIST STRESSES OR INSTABILITY OCCURRING FROM ANY CAUSE DURING CONSTRUCTION. THE CONTRACTOR SHALL ASSUME COMPLETE RESPONSIBILITY FOR SUCH MEASURES.
2. FOUNDATIONS:
- .1 THE FOUNDATION DESIGN IS BASED ON AN ASSUMED ALLOWABLE SOIL BEARING PRESSURE OF 2000 POUNDS PER SQUARE FOOT. VERIFICATION OF ACTUAL SOIL CONDITIONS ON SITE HAS NOT BEEN CARRIED OUT AT THE TIME OF DESIGN. THE OWNER SHALL RETAIN A GEOTECHNICAL ENGINEER TO PERFORM ON-SITE REVIEW OF EXISTING SOIL CONDITIONS, PRIOR TO POURING FOUNDATIONS, TO CONFIRM THE DESIGN ASSUMPTIONS.
 - .2 SOIL OF THIS VALUE IS ASSUMED TO BE FOUND AT THE ELEVATIONS SHOWN. REPORT ANY VARIATIONS TO THE ENGINEER OF RECORD BEFORE PROCEEDING .
 - .3 KEEP FOOTING EXCAVATIONS CONTINUALLY DRY BEFORE POURING FOOTINGS. EXCAVATE MATERIAL SOFTENED BY WATER AND THICKEN FOOTING TO SUIT.
 - .4 BACK-FILL SLAB-ON-GRADE, FOOTING EXCAVATIONS AND TRENCHES WITH APPROVED GRANULAR MATERIAL, PLACED IN 8"(MAX) LIFTS, COMPACTED TO 98% STANDARD PROCTOR DRY DENSITY.
 - .5 PROVIDE 6 MIL POLYETHYLENE VAPOR BARRIER UNDER NEW FOOTING/ SLAB WITH 6" TAPED LAPS .
 - .6 GENERATOR SLAB SHALL BE 12" THICK, REINFORCED WITH 1 LAYER OF 6,6 / 10-10 WELDED WIRE MESH CHAIRED IN CENTER OF SLAB. PROVIDE SAWCUT CONTROL JOINTS AS SHOWN ON PLAN, WITHIN 18 HOURS OF CONCRETE POUR. PITCH 2" AROUND THE PAD AT 1/4" PER FOOT FOR WATER SHED.
3. CONCRETE:
- .1 CONCRETE MATERIALS AND WORKMANSHIP SHALL BE IN ACCORDANCE WITH GOOD ENGINEERING PRACTICE AND SHALL CONFORM WITH ACI 301, ACI 318 AND ASTM C-94, AND 2020 FBC.
 - .2 FORM WORK, SHORING AND RESHORING: THE STRUCTURAL ADEQUACY OF THE DESIGN AND CONSTRUCTION OF ALL FORMWORK, SHORING AND RE-SHORING IS THE RESPONSIBILITY OF THE CONTRACTOR. THE DESIGN OF ALL FORMWORK, SHORING AND RE-SHORING FOR ALL ELEVATED FRAMED CONCRETE SHALL BE CARRIED OUT BY A FLORIDA REGISTERED PROFESSIONAL ENGINEER, RETAINED BY THE CONTRACTOR. REVIEW BY THE ENGINEER OF RECORD OF ANY DRAWINGS OR CONSTRUCTION OF FORMWORK, SHORING OR RE-SHORING IS FOR GENERAL LAYOUT AND EFFECTS ON THE COMPLETED BUILDING STRUCTURE ONLY.
 - REMOVAL OF FORMWORK: DO NOT REMOVE FORM WORK FOR CONCRETE SUPPORTING ITS OWN WEIGHT AT ANY TIME PRIOR TO CONCRETE REACHING A PROVEN COMPRESSIVE STRENGTH OF 75% OF THE SPECIFIED 28 DAY STRENGTH. RESHORING INSTALLATION TO PROCEED IMMEDIATELY FOLLOWING THE REMOVAL OF SHORING. RESHORING SHALL REMAIN IN PLACE UNTIL CONCRETE REACHES PROVEN 100% DESIGN COMPRESSIVE STRENGTH.
 - .3 MINIMUM 28-DAY COMPRESSIVE STRENGTH (F'c) FOR ALL STRUCTURAL CONCRETE = 3000 PSI.
 - .4 SUBMIT CONCRETE MIX DESIGNS FOR REVIEW AND APPROVAL BY THE ENGINEER OF RECORD PRIOR TO ANY PLACEMENT OF STRUCTURAL CONCRETE.
 - .5 REINFORCING STEEL: DEFORMED BARS, CONFORMING TO ASTM A615, WITH A MINIMUM YIELD STRENGTH OF 60 KSI.
 - .6 WELDED WIRE FABRIC: "WELDED STEEL 'MRE FABRIC' CONFORMING TO ASTM A185 .
 - .7 MINIMUM LAP SPLICE LENGTH FOR CONTINUOUS REINFORCEMENT: 36, BAR DIAMETER. DO NOT SPLICE TIE-BEAM REINFORCEMENT OVER OPENINGS. DO NOT SPLICE FOOTING REINFORCEMENT UNDER OPENINGS.
 - .8 MINIMUM CONCRETE COVER TO REINFORCING STEEL:
CAST AGAINST EARTH: 3"
FORMED SURFACES:
EXPOSED TO EARTH OR WEATHER: 2"
SLABS 1-1/2"
 - .9 FOR READY-MIX CONCRETE THE MAXIMUM TIME PERMITTED BETWEEN BATCHING AND DEPOSITING IN THE FORMWORK IS 90 MINUTES. CONCRETE NOT PLACED WITHIN THIS TIME LIMIT SHALL BE REJECTED .
 - .10 THE ADDITION OF MIX WATER AT THE SITE TO INCREASE THE CONCRETE SLUMP SHALL NOT BE ALLOWED AND SHALL BE CAUSE FOR REJECTION OF THAT BATCH OF CONCRETE.
 - .11 PROVIDE 48 HOURS PRIOR TO NOTICE TO ENGINEER FOR REVIEW PRIOR TO ANY POUR OF STRUCTURAL CONCRETE.
 - .12 ARRANGE FOR CONCRETE TESTING BY AN INDEPENDENT TESTING LAB IN ACCORDANCE WITH ACI REQUIREMENTS.

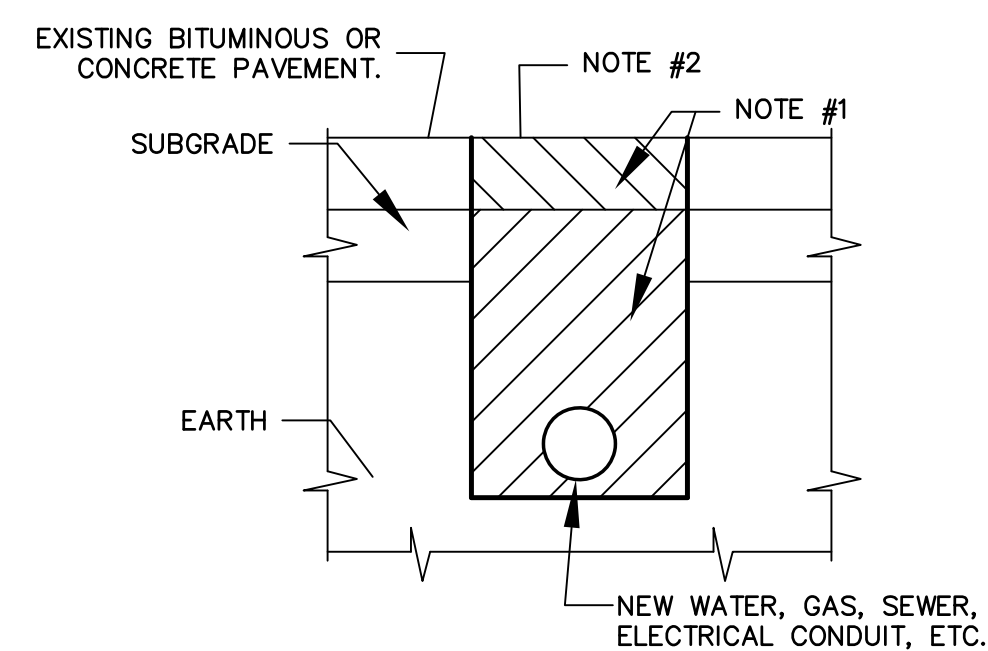
STUB-INS FOR ELECTRICAL:
COORDINATE REQUIRED STUB-INS WITH SELECTED GENERATOR MANUFACTURER. OBTAIN DRAWINGS FOR DIESEL FUEL GENERATOR SYSTEM AND STUB IN AT LOCATIONS SPECIFIED BY MANUFACTURER. PROVIDE AND INSTALL CONDUITS UNDERNEATH THE FOOTERS AND THROUGH THE SLAB AND THROUGH THE BELLY TANK. CUT OUTS SHALL BE ALLOWED AS LONG AS THEY ARE SHORED AND RE-INFORCED.

FENCING AROUND GENERATOR:
PROVIDE A 6' TALL FENCE AROUND THE GENERATOR SYSTEM WITH TWO 6' WIDE DOUBLE DOOR OPENINGS FOR SERVICE AND FUELING SEE SHEET E3.0. THE FENCING SHALL BE A 10 GAUGE GALVANIZED FENCING WITH VINYL COATING. COLOR OF COATING SHALL BE SPECIFIED BY OWNER'S REPRESENTATIVE., PROVIDE AND INSTALL GALVANIZED- VINYL COATED FENCE RAILS. POLES/POSTS 2-3/8" GALVANIZED- VINYL COATED UNITS - 8' TALL TO INSTALL 2' IN THE GROUND WITH CONCRETE - 3000PSI AT 28 DAYS. GATES TO BE VINYL COATED AND SAME GAUGE AS FENCE. INSTALL PER MANUFACTURER'S RECOMMENDATIONS.

GENERAL NOTES:

(APPLY TO ALL ELECTRICAL GENERATOR SHEETS)

1. PROVIDE COMPLETE AND OPERATIONAL ELECTRICAL SYSTEM.
2. ALL WORK SHALL CONFORM TO OR EXCEED THE MINIMUM REQUIREMENTS OF THE CURRENT ANSI/NFPA 70 WITH STATE OF FLORIDA AMENDMENTS, ANSI/IEEE C2 AND ALL FEDERAL, STATE, LOCAL, AND MUNICIPAL CODES AND ORDINANCES. THE ELECTRICAL SUBCONTRACTOR SHALL COMPLY WITH THE DIRECTIONS OF ALL AUTHORITIES HAVING JURISDICTION.
3. INSTALL WORK USING PROCEDURES DEFINED IN NECA STANDARDS OF INSTALLATION. ALL WORK SHALL PRESENT A NEAT MECHANICAL APPEARANCE WHEN COMPLETED.
4. THE ELECTRICAL CONTRACTOR SHALL PROVIDE ALL FLOOR, WALL, AND CEILING PENETRATIONS TO COMPLETE HIS WORK. PROVIDE PROPER FIRE SAFEING FOR ALL PENETRATIONS MADE.
5. COORDINATE ALL ELECTRICAL WORK WITH ALL OTHER TRADES TO ENSURE EFFECTIVE AND EFFICIENT OVERALL INSTALLATION.
6. COORDINATE ALL ELECTRICAL SYSTEM DOWNTIME WITH THE OWNER. PERFORMANCE SERVICES, AND OTHER TRADES. DOWNTIME OF THE SYSTEM SHALL BE MINIMIZED. WEEKEND AND AFTER HOUR WORK SHALL BE REQUIRED TO PREVENT OR MINIMIZE INTERFERENCE WITH THE OWNER'S OPERATION.
7. THE LOCATIONS OF ALL ELECTRICAL EQUIPMENT, RECEPTACLES, PHONE/DATA JACKS, AND ROOM EQUIPMENT SHOWN ON THESE DRAWINGS ARE APPROXIMATE. FINAL LOCATIONS WILL BE DETERMINED DURING THE CONSTRUCTION PHASE- COORDINATE WITH OWNER'S REPRESENTATIVE AND FIELD VERIFY LOCATIONS.
8. PHYSICAL SIZES AND LOCATIONS OF ALL MECHANICAL EQUIPMENT SHOWN ON THESE DRAWINGS ARE APPROXIMATE. COORDINATE ELECTRICAL WORK FOR THIS EQUIPMENT WITH THE OTHER TRADES.
9. PROVIDE ALL COORDINATION AND CONTROLS WIRING AND CONDUITS FOR THE ATS. BUILDING IS TO BE FED BY GENERATOR SYSTEM. MAKE SURE GENERATOR SYSTEM IS PROPERLY GROUNDED AND BONDED PER 2017 NEC 250 AND 445. GENERATOR SHALL HAVE A REMOTE ANNUNCIATOR AND EMERGENCY STOP PROVIDED WITH THE SYSTEM.
10. PROVIDE APPROPRIATE SEALANT (I.E. FIRESAFEING) TO MAINTAIN CONSTRUCTION INTEGRITY FOR ANY PENETRATIONS THROUGH FLOORS, STRUCTURAL CEILINGS, AND FIRE WALLS.
11. ALL BRANCH CIRCUITS SHALL UTILIZE SEPARATE INDEPENDENT NEUTRAL CONDUCTOR, AND INSULATED GROUNDING CONDUCTOR. DO NOT COMBINE NEUTRAL CONDUCTORS.
12. ALL FEEDER NEUTRAL/GROUNDED CONDUCTORS SHALL BE CONSIDERED CURRENT CARRYING. DERATE MULTIPLE CONDUCTORS IN A RACEWAY ACCORDINGLY WITH NEC TABLES.
13. INSTALL ALL CONDUITS, RACEWAYS, AND CABLE TRAY FOR MAXIMUM HEAD CLEARANCE IN MECHANICAL AREAS, AND ATTIC. COORDINATE CLEARANCES WITH PERFORMANCE SERVICES AND THE OWNER.
14. PROVIDE SEPARATIONS OF CONTROLS(LOW VOLTAGE) AND POWER (120V+) SYSTEMS. CONTROLS SHALL BE IN SEPARATE CONDUITS AND SEPARATED PULL BOXES FROM POWER COMPONENTS PER NEC REQUIREMENTS.
15. ALL ELECTRICAL SERVICE WORK SHALL COMPLY WITH THE LOCAL UTILITY. COORDINATE ALL REQUIREMENTS AND MAXIMUM AVAILABLE FAULT CURRENT PRIOR TO BID AND INCLUDE ALL NECESSARY MATERIAL AND LABOR REQUIRED FOR THE ADDITION TO THE ELECTRICAL SERVICE. PROVIDE PRICING FOR ANY UTILITY FEES.
16. TEST GROUNDING SYSTEM AFTER COMPLETION OF JOB TO INSURE PROPER GROUND CONDUCTIVITY.
17. RECORD DRAWINGS: PROVIDE ALL REQUIRED DRAWINGS PER FBC: ONE-LINE RISER, ALL BRANCH CIRCUITS SHALL BE IDENTIFIED AND STATED CONDUIT AND WIRE SIZE, LABELLING OF ALL CIRCUIT BREAKERS, VOLTAGE DROP (IF REQUIRED), ALL PANEL SCHEDULES, ALL DISCONNECTS WITH AMPERAGE SIZES AND FUSES(IF PRESENT), ALL BREAKERS ON THE PANEL BOARDS, AND ALL FLOOR PLANS AND SITE PLANS. PROVIDE PHASE ROTATION AND AMPERE READINGS ON THE ATS. PROVIDE ALL RECORD DRAWINGS TO THE OWNER'S REPRESENTATIVE WITHIN 90 DAYS OF OBTAINING THE CERTIFICATE OF OCCUPANCY.

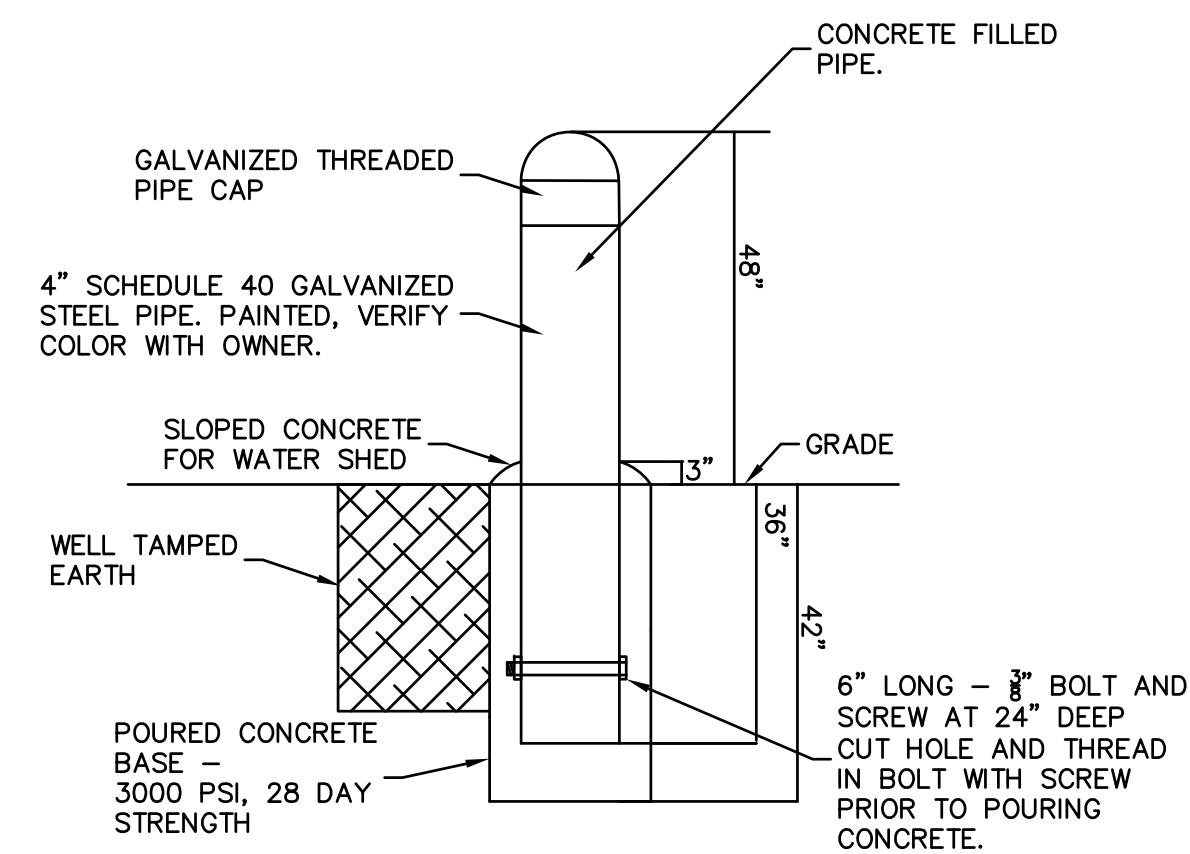


DETAIL SHOWING CUTS

NOTES:

1. THE CONTRACTOR INSTALLING THE NEW UTILITY SERVICE SHALL MAKE THE CUT, EXCAVATE, INSTALL NEW SERVICE, INSTALL AN APPROVED BANK RUN GRAVEL BACKFILL TO TOP OF SUBGRADE, AND HAUL AWAY EXCESS MATERIALS. ALL ENGINEERED MATERIALS SHALL BE COMPACTED TO 95% COMPACTION MIN.
2. THE CONTRACTOR SHALL FURNISH AND INSTALL THE FINAL PAVING AT ALL LOCATIONS NOTED ON THE SITE PLANS. FINAL PAVING FOR CUTS MADE IN LOCATIONS NOT NOTED ON THE SITE PLANS WILL BE THE RESPONSIBILITY OF THE CONTRACTOR MAKING THE CUT.

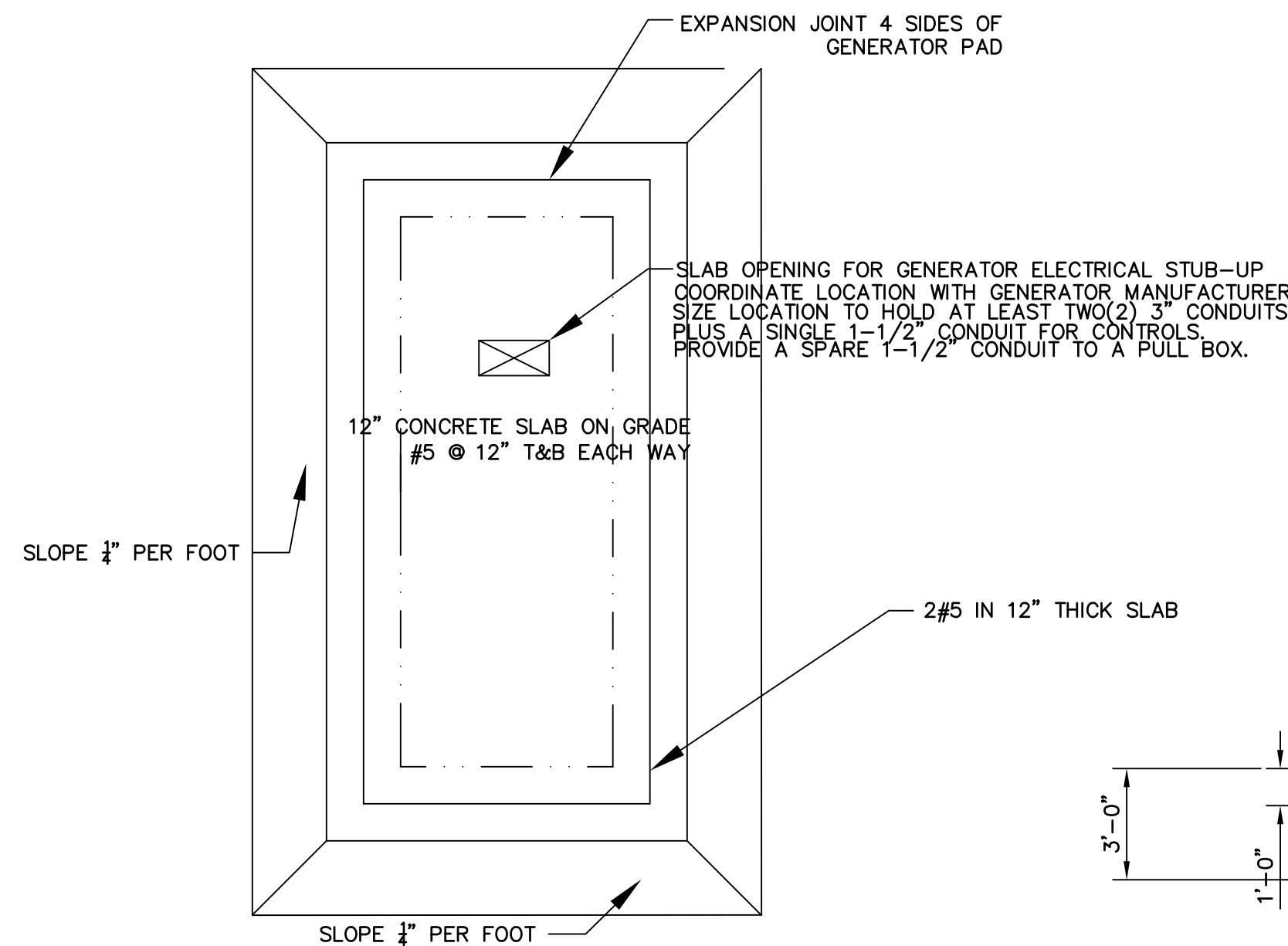
1 EXISTING PAVED SURFACES
NOT TO SCALE



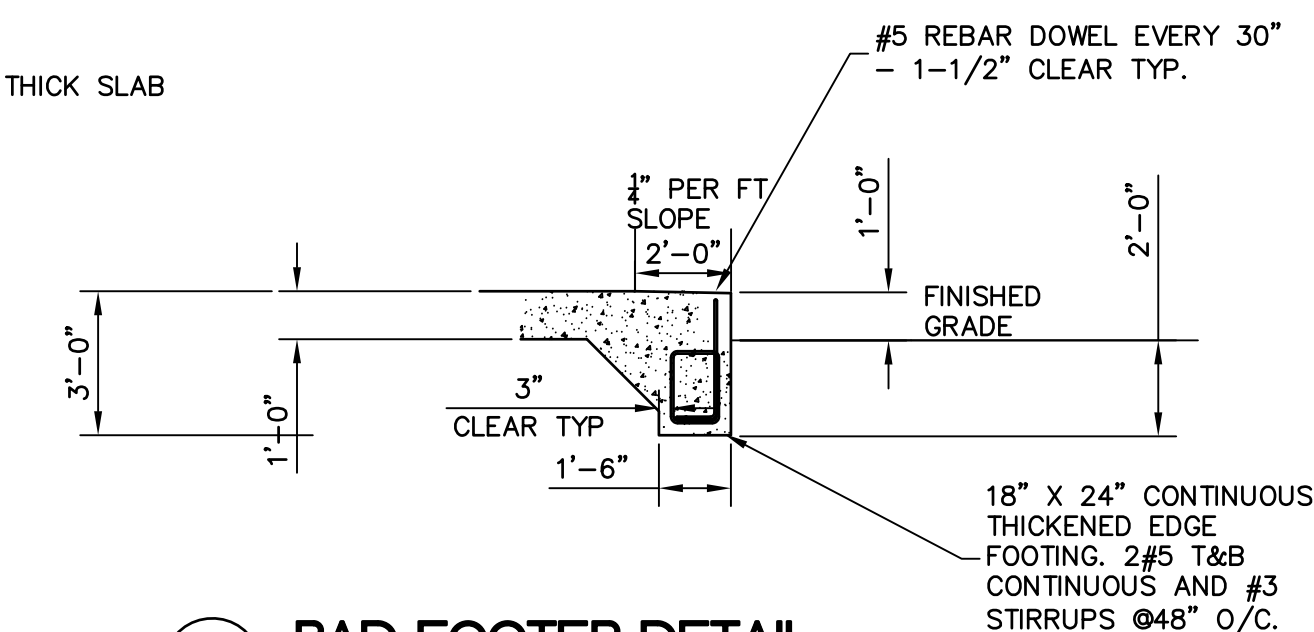
2 TYPICAL BOLLARD DETAIL
NOT TO SCALE

GENERAL NOTES:

PER FEMA MAP 120153 THE LOCATION IS IN AN "AE" ZONE AND IS APPROX. 20-25' ABOVE SEA LEVEL. AREAS SUBJECT TO INUNDATION BY THE 1-PERCENT-ANNUAL-CHANCE FLOOD EVENT DETERMINED BY DETAILED METHODS. BASE FLOOD ELEVATIONS ARE SHOWN ON THE MAP. THE ELEVATION OF THE GENERATOR HAS TO BE RAISED BY AT LEAST 1 FT TO BE TO BE ABOVE THE BASE FLOOD ZONE. CONTRACTOR WILL NEED TO VERIFY EXACT LOCATION REQUIREMENTS- THE AREA WILL NEED TO BE RAISED AT LEAST 1 FT. PAD IS SHOWN TO RAISE UNIT 1 FT. NOTE: GENERATOR UNIT WILL BE SETTING ON TALL BELLY TANK DESIGNED FOR EXTERIOR CONDITIONS UP TO 3' DEPENDING UPON MANUFACTURER. CONTRACTOR MAY NEED TO HIRE A SURVEYOR TO COMPLETE PROJECT. COUNTY MAY BE ABLE TO PROVIDE SURVEYOR DEPENDING UPON AVAILABILITY.



3 GENERATOR PAD DESIGN
NOT TO SCALE



4 PAD FOOTER DETAIL
NOT TO SCALE

ATP ENGINEERING SOUTH
BRADENTON, FLORIDA
ENGR. BUSINESS #8908
941-751-6485

DATE

REV. DESCRIPTION

PUBLIC WORKS WTPF OFFICE
BUILDING GENERATOR
8500 69TH ST E, PALMETTO, FL 34221

DRAWING TITLE
ELECTRICAL
DETAILS FOR PAD

FILE: FILENAME
JOB NO.: JOB NUMBER
DATE : DATE
PLOT SIZE: 1:1
DRAWN BY: HG
CHECKED BY: MC
SHEET No.:
E7.0

REVIEW SET
(NOT FOR CONSTRUCTION)
03/21/2022

**SECTION D, SAMPLE CONSTRUCTION AGREEMENT WITH GENERAL
CONDITIONS OF THE CONSTRUCTION AGREEMENT AND AGREEMENT
EXHIBITS**

CONSTRUCTION AGREEMENT

for

STIPULATED SUM

between

MANATEE COUNTY (AS OWNER)

and

_____ (AS CONTRACTOR)

AGREEMENT NO.

**CONSTRUCTION AGREEMENT FOR
STIPULATED SUM
[PROJECT NAME]**

THIS AGREEMENT (“Agreement”) is made and entered into by and between Manatee County, a political subdivision of the State of Florida, referred to herein as “Owner”, and the firm of _____, incorporated in the State of _____ and registered and licensed to do business in the State of Florida (license # _____), referred to herein as “Contractor.”

WHEREAS, the Owner intends to construct **[PROJECT DESCRIPTION]**, the aforementioned improvements being hereinafter referred to and defined as the “Project”; and

WHEREAS, in response to Owner’s Invitation for Bid Construction No. _____ (the “IFBC”), Contractor has submitted its Bid (the “Contractor’s Bid”) to provide the aforementioned construction services.

NOW THEREFORE, the Owner and the Contractor, in consideration of the mutual covenants hereinafter set forth, the sufficiency of which is hereby acknowledged, agree as follows:

1. Contract Documents. The Contract Documents consist of this Agreement and attached Exhibits, the attached General Conditions of the Construction Agreement, Supplementary Conditions (if any), Special Conditions (if any), Drawings (the titles of which are attached hereto as Exhibit A), Specifications (the titles of which are attached hereto as Exhibit B), Addenda issued prior to execution of this Agreement, the Invitation for Bid (including any Instructions to Bidders, Scope of Work, Bid Summary, Supplements, and Technical Specifications), any interpretations issued pursuant to the Invitation for Bid, the Contractor’s Bid, permits, notice of intent to award, Notice to Proceed, purchase order(s), any other documents listed in this Agreement, and Modifications [to include written Amendment(s), Change Order(s), Work Directive Change(s) and Field Directive(s)] issued after execution of this Agreement. These form the Agreement, and are as fully a part of the Agreement as if attached or repeated herein. This Agreement represents the entire and integrated agreement between the parties hereto and supersedes prior negotiations, representations or agreements, either written or oral. No other documents shall be considered Contract Documents.

2. Work. The Contractor shall fully execute the Work described in the Contract Documents, except to the extent specifically indicated in the Contract Documents to be the responsibility of others.

3. Date of Commencement and Substantial Completion.

A. Date of Commencement. The date of commencement of the Work shall be the date fixed in a Notice to Proceed issued by the Owner.

B. Contract Time. The Contract Time shall be measured from the date of commencement.

C. Substantial Completion. The Contractor shall achieve Substantial Completion of the entire Work not later than ___ days from the date of commencement, or as follows:

Portion of Work	Substantial Completion Date
------------------------	------------------------------------

subject to adjustments of this Contract Time as provided in the Contract Documents.

Time is of the essence in the Contract Documents and all obligations thereunder. If the Contractor fails to achieve Substantial Completion of the Work within the Contract Time and as otherwise required by the Contract Documents (to include not only the entire Work but any portion of the Work as set forth above), the Owner shall be entitled to retain or recover from the Contractor, as liquidated damages and not as a penalty, the sum of \$_____ per calendar day, commencing upon the first day following expiration of the Contract Time and continuing until the actual date of Substantial Completion. Such liquidated damages are hereby agreed to be a reasonable estimate of damages the Owner will incur because of delayed completion of the Work. The Owner may deduct liquidated damages as described in this paragraph from any unpaid amounts then or thereafter due the Contractor under this Agreement. Any liquidated damages not so deducted from any unpaid amounts due the Contractor shall be payable to the Owner at the demand of the Owner, together with interest from the date of the demand at the maximum allowable rate.

4. Contract Sum.

A. Payment. The Owner shall pay the Contractor the Contract Sum in current funds for the Contractor's performance of the Contract. The Contract Sum shall be _____ Dollars and Zero Cents (\$_____), subject to additions and deductions as provided in the Contract Documents.

B. Alternates. The Contract Sum is based upon the following alternates, if any, which are described in the Contract Documents and are hereby accepted by the Owner. *(State the numbers or other identification of accepted alternates. If decisions on other alternates are to be made by the Owner subsequent to the execution of this Agreement, attach a schedule of such other alternates showing the amount for each and the date when that amount expires.)*

C. Unit Prices. Unit prices, if any, are reflected in the Contractor's Bid.

5. Payments.

A. Progress Payments.

(1) Based upon Applications for Payment submitted to the Architect/Engineer by the Contractor and Certificates for Payment issued by the Architect/Engineer, the Owner shall make progress payments on account of the Contract Sum to the Contractor as provided below and elsewhere in the Contract Documents.

(2) The period covered by each Application for Payment shall be one calendar month ending on the last day of the month.

- (3) Payments shall be made by Owner in accordance with the requirements of Section 218.735, Florida Statutes.
- (4) Each Application for Payment shall be based on the most recent schedule of values submitted by the Contractor in accordance with the Contract Documents. The schedule of values shall allocate the entire Contract Sum among the various portions of the Work. The schedule of values shall be prepared in such form and supported by such data to substantiate its accuracy as the Architect/Engineer may require. This schedule, unless objected to by the Owner or Architect/Engineer, shall be used as a basis for reviewing the Contractor's Applications for Payment.
- (5) Applications for Payment shall indicate the percentage of completion of each portion of the Work as of the end of the period covered by the Application for Payment.
- (6) Subject to other provisions of the Contract Documents, the amount of each progress payment shall be computed as follows:
 - i. Take that portion of the Contract Sum properly allocable to completed Work as determined by multiplying the percentage completion of each portion of the Work by the share of the Contract Sum allocated to that portion of the Work in the schedule of values, less retainage of five percent (5.00%). Pending final determination of cost to the Owner of changes in the Work, amounts not in dispute shall be included as provided in Section 3.3.B. of the General Conditions;
 - ii. Add that portion of the Contract Sum properly allocable to materials and equipment delivered and suitably stored at the site for subsequent incorporation in the completed construction (or, if approved in advance by the Owner, suitably stored off the site at a location agreed upon in writing), supported by paid receipts, less retainage of five percent (5.00%);
 - iii. Subtract the aggregate of previous payments made by the Owner; and
 - iv. Subtract amounts, if any, for which the Architect/Engineer has withheld or nullified an Application for Payment, in whole or in part as provided in Section 3.3.C. of the General Conditions.
- (7) The progress payment amount determined in accordance with Section 5.A(6) shall be further modified under the following circumstances:
 - i. Add, upon Substantial Completion of the Work, a sum sufficient to increase the total payments to the full amount of the Contract Sum, less such amounts as the Architect/Engineer shall determine for

incomplete Work, retainage applicable to such work and unsettled claims.

- ii. Add, if final completion of the Work is thereafter materially delayed through no fault of the Contractor, any additional amounts payable in accordance with Section 3.2.B. of the General Conditions.

- (8) Reduction or limitation of retainage, if any, shall be as follows:

Notwithstanding the foregoing, upon completion of at least 50% of the Work, as determined by the Architect/Engineer and Owner, the Owner may, with the concurrence of the Architect/Engineer, reduce to two and one-half percent (2.5%) the amount of retainage withheld from each subsequent progress payment.

- (9) Except with the Owner's prior approval, the Contractor shall not make advance payments to suppliers for materials or equipment which have not been delivered and stored at the site.

B. Final Payment. Final Payment, constituting the entire unpaid balance of the Contract Sum, shall be made by the Owner to the Contractor when:

(1) The Contractor has fully performed the Work except for the Contractor's responsibility to correct Work as provided in Section 2.4.C. of the General Conditions, and to satisfy other requirements, if any, which extend beyond final payment; and

(2) A final Application for Payment has been approved by the Architect/Engineer.

6. Termination or Suspension.

A. Termination. The Agreement may be terminated by the Owner or the Contractor as provided in Article XIV of the General Conditions.

B. Suspension by Owner. The Work may be suspended by the Owner as provided in Article XIV of the General Conditions.

7. Other Provisions.

A. Substantial Completion Defined. Substantial Completion shall be defined as provided in Article I of the General Conditions. In the event a temporary certificate of occupancy or completion is issued establishing Substantial Completion, the Contractor shall diligently pursue the issuance of a permanent certificate of occupancy or completion.

B. Project Meetings. There shall be a project meeting, at the jobsite or other location acceptable to the parties, on a regularly scheduled basis. The meeting will be attended by a representative of the Contractor, Architect/Engineer and Owner. These representatives shall be authorized to make decisions that are not otherwise contrary to the requirements of this Agreement.

C. Weather. Any rainfall, temperatures below 32 degrees Fahrenheit or winds greater than 25 m.p.h. which actually prevents Work on a given day, shall be considered lost time and an additional day added to the Contract Time, provided no work could be done on site, and provided written notice has been submitted to the Owner by the Contractor documenting same.

D. Shop Drawings; Critical Submittals. In consideration of the impact of timely review of submittals and shop drawings on the overall progress of the Work, it is hereby agreed that the Owner shall cause his agents and design professionals to accomplish the review of any particular “critical” submittals and/or shop drawings and return same to the Contractor within fourteen (14) days.

E. Applications for Payment. Applications for Payment shall be submitted once monthly at regular intervals and shall include detailed documentation of all costs incurred.

F. Punch List. Within 30 days after obtainment of Substantial Completion, the Owner shall generate a “punch list” of all work items requiring remedial attention by the Contractor. Within 5 days thereafter the Architect/Engineer shall assign a fair value to the punch list items, which sum shall be deducted from the next scheduled progress payment to the Contractor. Upon satisfactory completion of the punch list items, as certified by the Architect/Engineer, the previously deducted sum shall be paid to the Contractor.

G. Closeout documentation. Within 30 days after obtainment of Substantial Completion and before final payment, Contractor shall gather and deliver to Owner all warranty documentation, all manufacturer’s product and warranty literature, all manuals (including parts and technical manuals), all schematics and handbooks, and all as-built drawings.

H. Governing Provisions; Conflicts. In the event of a conflict between this Agreement and the Specifications or as between the General Conditions and the Specifications, the Specifications shall govern.

I. E-Verify. The Contractor’s employment of unauthorized aliens is a violation of Section 274(e) of the Federal Immigration and Employment Act. The Contractor shall utilize the U.S. Department of Homeland Security E-Verify system to verify the employment eligibility of all new employees hired during the term of this Agreement, and shall require the same verification procedure of all Subcontractors.

8. Insurance and Bonding. If and to the extent required by the Invitation for Bid documents, the Contractor shall furnish insurance coverage for (but not necessarily limited to) workers’ compensation, commercial general liability, auto liability, excess liability, and builder’s risk. The Contractor shall furnish to the Owner all appropriate policies and Certificate(s) of Insurance. The Contractor shall also post a Payment and Performance Bond for the Contract Sum, within ten (10) days following notification of intent to award, and otherwise in accordance with the Invitation for Bid documents.

9. Independent Contractor. The Contractor acknowledges that it is functioning as an independent contractor in performing under the terms of this Agreement, and it is not acting as an employee of the Owner.

10. Entire Agreement. This Agreement (inclusive of the Contract Documents incorporated herein by reference) represents the full agreement of the parties.

11. Amendments; Waivers; Assignment.

A. Amendments. This Agreement may be amended only pursuant to an instrument in writing that has been jointly executed by authorized representatives of the parties hereto.

B. Waivers. Neither this Agreement nor any portion of it may be modified or waived orally. However, each party (through its governing body or properly authorized officer) shall have the right, but not the obligation, to waive, on a case-by-case basis, any right or condition herein reserved or intended for the benefit or protection of such party without being deemed or considered to have waived such right or condition for any other case, situation, or circumstance and without being deemed or considered to have waived any other right or condition. No such waiver shall be effective unless made in writing with an express and specific statement of the intent of such governing body or officer to provide such waiver.

C. Assignment. The rights and obligations of either party to this Agreement may be assigned to a third party only pursuant to a written amendment hereto.

12. Validity. Each of the Owner and Contractor represents and warrants to the other its respective authority to enter into this Agreement.

13. Covenant to Defend. Neither the validity of this Agreement nor the validity of any portion hereof may be challenged by any party hereto, and each party hereto hereby waives any right to initiate any such challenge. Furthermore, if this Agreement or any portion hereof is challenged by a third party in any judicial, administrative, or appellate proceeding (each party hereby covenanting with the other party not to initiate, encourage, foster, promote, cooperate with, or acquiesce to such challenge), the parties hereto collectively and individually agree, at their individual sole cost and expense, to defend in good faith its validity through a final judicial determination or other resolution, unless all parties mutually agree in writing not to defend such challenge or not to appeal any decision invalidating this Agreement or any portion thereof.

14. Disclaimer of Third-Party Beneficiaries; Successors and Assigns. This Agreement is solely for the benefit of the parties hereto, and no right, privilege, or cause of action shall by reason hereof accrue upon, to, or for the benefit of any third party. Nothing in this Agreement is intended or shall be construed to confer upon or give any person, corporation, partnership, trust, private entity, agency, or other governmental entity any right, privilege, remedy, or claim under or by reason of this Agreement or any provisions or conditions hereof. This Agreement shall be binding upon, and its benefits and advantages shall inure to, the successors and assigns of the parties hereto.

15. Construction.

A. Headings and Captions. The headings and captions of articles, sections, and paragraphs used in this Agreement are for convenience of reference only and are not intended to define or limit their contents, nor are they to affect the construction of or be taken into consideration in interpreting this Agreement.

B. Legal References. All references to statutory sections or chapters shall be construed to include subsequent amendments to such provisions, and to refer to the successor provision of any such provision. References to “applicable law” and “general law” shall be construed to include provisions of local, state and federal law, whether established by legislative action, administrative rule or regulation, or judicial decision.

16. Severability. The provisions of this Agreement are declared by the parties hereto to be severable. In the event any term or provision of this Agreement shall be held invalid by a court of competent jurisdiction, such invalid term or provision should not affect the validity of any other term or provision hereof; and all such terms and provisions hereof shall be enforceable to the fullest extent permitted by law as if such invalid term or provision had never been part of this Agreement; provided, however, if any term or provision of this Agreement is held to be invalid due to the scope or extent thereof, then, to the extent permitted by law, such term or provision shall be automatically deemed modified in order that it may be enforced to the maximum scope and extent permitted by law.

17. Governing Law; Venue. This Agreement shall be governed by the laws of the State of Florida. Venue for any petition for writ of certiorari or other court action allowed by this Agreement shall be in the Circuit Court of the Twelfth Judicial Circuit in and for Manatee County, Florida.

18. Attorney’s Fees and Costs. In any claim dispute procedure or litigation arising from this Agreement, each party hereto shall be solely responsible for paying its attorney’s fees and costs.

19. Notices. All notices, comments, consents, objections, approvals, waivers, and elections under this Agreement shall be in writing and shall be given only by hand delivery for which a receipt is obtained, or certified mail, prepaid with confirmation of delivery requested, or by electronic mail with delivery confirmation. All such communications shall be addressed to the applicable addressees set forth below or as any party may otherwise designate in the manner prescribed herein.

To the Owner:

Email: _____

To the Contractor:

Email: _____

Notices, comments, consents, objections, approvals, waivers, and elections shall be deemed given when received by the party for whom such communication is intended at such party's address herein specified, or such other physical address or email address as such party may have substituted by notice to the other.

20. Public Records Law. The Contractor shall comply with the Florida Public Records Act (Chapter 119, Florida Statutes), and shall:

- A. Keep and maintain public records required by the Owner to perform the services called for in this Agreement.
- B. Upon request from the Owner's custodian of public records, provide the Owner with a copy of the requested records or allow the records to be inspected or copied within a reasonable time at a cost that does not exceed the cost provided in Chapter 119, Florida Statutes or as otherwise provided by law.
- C. Ensure that public records that are exempt or confidential and exempt from public records disclosure requirements are not disclosed except as authorized by law for the duration of this Agreement and following completion of this Agreement if the Contractor does not transfer the records to the Owner.
- D. Upon completion of this Agreement, transfer, at no cost, to the Owner all public records in possession of the Contractor or keep and maintain such public records. If the Contractor transfers all public records to the Owner upon completion of the Agreement, the Contractor shall destroy any duplicate public records that are exempt or confidential and exempt from public records disclosure requirements. If the Contractor keeps and maintains public records upon completion of the Agreement, the Contractor shall meet all applicable requirements for retaining public records. All records stored electronically must be provided to the Owner, upon request from the Owner's custodian of public records, in a format that is compatible with the information technology systems of the Owner.

IF THE CONTRACTOR HAS QUESTIONS REGARDING THE APPLICATION OF CHAPTER 119, FLORIDA STATUTES, TO THE CONTRACTOR'S DUTY TO PROVIDE PUBLIC RECORDS RELATING TO THIS AGREEMENT, CONTACT THE OWNER'S CUSTODIAN OF PUBLIC RECORDS AT 941-748-4501, EXT. 5845; DEBBIE.SCACCIANOCE@MYMANATEE.ORG; POST OFFICE BOX 1000, BRADENTON, FLORIDA 34206.

21. Exhibits. Exhibits to this Agreement are as follows:

Exhibit A—Title(s) of Drawings

Exhibit B—Title(s) of Specifications

Exhibit C—Affidavit of No Conflict

Exhibit D—Certificate(s) of Insurance

Exhibit E—Payment and Performance Bond

Exhibit F—Standard Forms

- 1—Application for Payment
- 2—Certificate of Substantial Completion
- 3—Final Reconciliation / Warranty / Affidavit
- 4—Change Order

(Remainder of this page intentionally left blank)

SAMPLE

WHEREFORE, the parties hereto have executed this Agreement as of the date last executed below.

Name of Contractor

By: _____

Printed Name: _____

Title: _____

Date: _____

MANATEE COUNTY, a political subdivision
of the State of Florida

By: _____

Printed Name: _____

Title: _____

Date: _____

SAMPLE

GENERAL CONDITIONS
of the
CONSTRUCTION AGREEMENT

SAMPLE

TABLE OF CONTENTS FOR GENERAL CONDITIONS

	<u>Page</u>
Article I -- Definitions.....	GC-1
1.1 Definitions.....	GC-1
A. Acceptance	GC-1
B. Application for Payment.....	GC-1
C. Architect/Engineer	GC-1
D. Change Order	GC-1
E. Construction Services.....	GC-1
F. Construction Team	GC-1
G. Contract Sum.....	GC-1
H. Contract Time.....	GC-1
I. Contractor's Personnel.....	GC-1
J. Days	GC-1
K. Defective.....	GC-2
L. Field Directive.....	GC-2
M. Final Completion Date.....	GC-2
N. Float Time.....	GC-2
O. Force Majeure	GC-2
P. Notice to Proceed	GC-2
Q. Owner	GC-2
R. Owner's Project Representative.....	GC-2
S. Payment and Performance Bond.....	GC-2
T. Permitting Authority.....	GC-2
U. Procurement Ordinance	GC-2
V. Progress Report.....	GC-2
W. Project.....	GC-2
X. Project Costs	GC-3
Y. Project Manager.....	GC-3
Z. Project Plans and Specifications.....	GC-3
AA Project Schedule	GC-3
BB. Project Site.....	GC-3
CC. Subcontractor	GC-3
DD. Substantial Completion and Substantially Complete.....	GC-3
EE. Substantial Completion Date	GC-3
FF. Substitute.....	GC-3
GG. Unit Price Work	GC-4
HH. Work.....	GC-4
II. Work Directive Change.....	GC-4
Article II -- Relationship and Responsibilities	GC-4
2.1 Relationship between Contractor and Owner	GC-4
A. Purpose.....	GC-4
B. Construction Team	GC-4
C. Owner's Reliance on Bid (or GMP).....	GC-4

2.2	General Contractor Responsibilities	GC-5
	A. Personnel.....	GC-5
	B. Cooperation with Architect/Engineer.....	GC-5
	C. Timely Performance	GC-5
	D. Duty to Defend Work.....	GC-5
	E. Trade and Industry Terminology.....	GC-5
2.3	Project Schedule.....	GC-6
2.4	Construction Services	GC-7
	A. Construction of Project	GC-7
	B. Notice to Proceed	GC-7
	C. Quality of Work	GC-7
	D. Materials	GC-7
	E. Accountability for Work.....	GC-7
	F. Contract Sum	GC-8
	G. Governing Specifications	GC-8
	H. Adherence to Project Schedule	GC-8
	I. Superintendent	GC-8
	J. Work Hours	GC-8
	K. Overtime-Related Costs.....	GC-8
	L. Insurance, Overhead and Utilities	GC-9
	M. Cleanliness.....	GC-9
	N. Loading.....	GC-9
	O. Safety and Protection	GC-9
	P. Emergencies	GC-10
	Q. Substitutes	GC-10
	R. Surveys and Stakes	GC-10
	S. Suitability of Project Site	GC-11
	T. Project Specification Errors	GC-11
	U. Remediation of Contamination	GC-11
	V. Interfacing	GC-12
	W. Job Site Facilities	GC-13
	X. Weather Protection.....	GC-13
	Y. Performance and Payment Bond	GC-13
	Z. Construction Phase; Building Permit; Code Inspections	GC-13
	(1) Building Permit	GC-13
	(2) Code Inspections	GC-14
	(3) Contractor’s Personnel	GC-14
	(4) Lines of Authority	GC-14
	AA. Quality Control	GC-14
	BB. Management of Subcontractors	GC-15
	CC. Job Requirements	GC-15
	DD. As-Built Drawings	GC-17
	EE. Progress Reports	GC-17
	FF. Contractor’s Warranty.....	GC-17
	GG. Apprentices.....	GC-18
	HH. Schedule of Values	GC-18
	II. Other Contracts.....	GC-18
Article III – Compensation.....		GC-18
3.1	Compensation	GC-18

A. Adjustments.....	GC-18
B. Valuation	GC-18
C. Unit Price Work	GC-19
3.2 Schedule of Compensation.....	GC-19
A. Periodic Payments for Services	GC-19
B. Payment for Materials and Equipment	GC-19
C. Credit toward Contract Sum	GC-19
3.3 Invoice and Payment.....	GC-20
A. Invoices.....	GC-20
B. Additional Information; Processing of Invoices	GC-20
C. Architect/Engineer's Approval.....	GC-20
D. Warrants of Contractor with Respect to Payments.....	GC-20
E. All Compensation Included	GC-20
Article IV -- Subcontractors.....	GC-21
4.1 Subcontracts.....	GC-21
A. Subcontracts Generally	GC-21
B. No Damages for Delay	GC-21
C. Subcontractual Relations	GC-21
D. Insurance; Acts & Omissions.....	GC-22
4.2 Relationship and Responsibilities	GC-22
4.3 Payments to Subcontractors; Monthly Statements.....	GC-22
A. Payment	GC-22
B. Final Payment of Subcontractors	GC-22
4.4 Responsibility for Subcontractors.....	GC-22
4.5 Contingent Assignment of Subcontracts.....	GC-23
Article V -- Changes in Work	GC-23
5.1 General.....	GC-23
5.2 Minor Changes in the Work.....	GC-23
5.3 Emergencies.....	GC-24
5.4 Concealed Conditions	GC-24
5.5 Hazardous Materials	GC-24
5.6 Change Orders; Adjustments to Contract Sum	GC-25
A. Change Orders Generally	GC-25
5.7 Owner-Initiated Changes	GC-25
5.8 Unauthorized Work.....	GC-25
5.9 Defective Work.....	GC-25
5.10 Estimates for Changes.....	GC-26
5.11 Form of Proposed Changes.....	GC-26
5.12 Changes to Contract Time.....	GC-26
Article VI -- Role of Architect/Engineer	GC-26
6.1 General.....	GC-26
A. Retaining.....	GC-26
B. Duties.....	GC-26
C. Termination	GC-26
6.2 Administration	GC-27

<i>A. Site Visits</i>	GC-27
<i>B. Reporting</i>	GC-27
6.3 Interpretation of Project Plans and Specifications	GC-27
6.4 Rejection of Non-Conforming Work	GC-27
6.5 Correction of Work	GC-27
6.6 Timely Performance of Architect/Engineer	GC-28
Article VII -- Owner's Rights and Responsibilities	GC-28
7.1 Project Site; Title	GC-28
7.2 Project Plans and Specifications; Architect/Engineer	GC-28
7.3 Surveys; Soil Tests and Other Project Site Information	GC-28
7.4 Information; Communication; Coordination.....	GC-29
7.5 Governmental Body	GC-29
7.6 Pre-Completion Acceptance	GC-29
7.7 Ownership and Use of Drawings, Specifications and Other Instruments of Service.....	GC-29
7.8 Owner's Project Representative.....	GC-30
<i>A. Responsibilities</i>	GC-30
<i>B. Limitations</i>	GC-31
Article VIII -- Resolution of Disagreements; Claims for Compensation	GC-31
8.1 Owner to Decide Disputes	GC-31
8.2 Finality	GC-31
8.3 No Damages for Delay.....	GC-31
8.4 Permitted Claims Procedure.....	GC-32
8.5 Contract Claims and Disputes.....	GC-32
8.6 Claims for Consequential Damages.....	GC-33
Article IX -- Indemnity	GC-33
9.1 Indemnity	GC-33
<i>A. Indemnification Generally</i>	GC-33
<i>B. Indemnification; Enforcement Actions</i>	GC-33
<i>C. Claims by Employees</i>	GC-33
9.2 Duty to Defend.....	GC-33
Article X-- Accounting Records; Ownership of Documents	GC-33
10.1 Accounting Records.....	GC-34
10.2 Inspection and Audit	GC-34
10.3 Access	GC-34
10.4 Ownership of Documents.....	GC-34
Article XI -- Public Contract Laws	GC-35
11.1 Equal Opportunity Employment	GC-35
<i>A. Employment</i>	GC-35
<i>B. Participation</i>	GC-35
11.2 Immigration Reform and Control Act of 1986	GC-35
11.3 No Conflict of Interest	GC-35

<i>A. No Interest in Business Activity</i>	GC-35
<i>B. No Appearance of Conflict</i>	GC-36
11.4 Truth in Negotiations	GC-36
11.5 Public Entity Crimes	GC-36
Article XII-- Force Majeure, Fire or Other Casualty	GC-36
12.1 Force Majeure	GC-36
<i>A. Unavoidable Delays</i>	GC-36
<i>B. Concurrent Contractor Delays</i>	GC-36
<i>C. Notice; Mitigation</i>	GC-36
12.2 Casualty; Actions by Owner and Contractor	GC-37
12.3 Approval of Plans and Specifications	GC-37
12.4 Notice of Loss or Damage	GC-37
Article XIII -- Representations, Warranties and Covenants	GC-38
13.1 Representations and Warranties of Contractor	GC-38
13.2 Representations of the Owner	GC-40
Article XIV -- Termination and Suspension	GC-41
14.1 Termination for Cause by Owner.....	GC-41
<i>A. Nonperformance</i>	GC-41
<i>B. Insolvency</i>	GC-42
<i>C. Illegality</i>	GC-42
<i>D. Rights of Owner</i>	GC-42
14.2 Termination without Cause by Owner	GC-42
<i>A. Release of Contractor</i>	GC-43
<i>B. Waiver of Protest</i>	GC-43
14.3 Suspension without Cause	GC-43
14.4 Termination Based Upon Abandonment, Casualty or Force Majeure	GC-43
14.5 Vacation of Project Site; Delivery of Documents	GC-43
14.6 Termination by the Contractor	GC-44

GENERAL CONDITIONS
ARTICLE I
DEFINITIONS

1.1 Definitions. For purposes of the Contract Documents, the following terms shall have the following meanings.

A. Acceptance: The acceptance of the Project into the Owner's operating public infrastructure.

B. Application for Payment: The form approved and accepted by the Owner, which is to be used by Contractor in requesting progress payments or final payment and which is to include such supporting documentation as is required by the Contract Documents.

C. Architect/Engineer: McKim & Creed, Inc, a North Carolina corporation, registered and licensed to do business in the State of Florida.

D. Change Order: A written order signed by the Owner, the Architect/Engineer and the Contractor authorizing a change in the Project Plans and/or Specifications and, if necessary, a corresponding adjustment in the Contract Sum and/or Contract Time, pursuant to Article V.

E. Construction Services: The Construction Services to be provided by Contractor pursuant to Section 2.4, in accordance with the terms and provisions of the Contract Documents.

F. Construction Team: The working team established pursuant to Section 2.1.1.B.

G. Contract Sum: The total compensation to be paid to the Contractor for Construction Services rendered pursuant to the Contract Documents, as set forth in Contractor's Bid (or Guaranteed Maximum Price Addendum), unless adjusted in accordance with the terms of the Contract Documents

H. Contract Time: The time period during which all Construction Services are to be completed pursuant to the Contract Documents, to be set forth in the Project Schedule.

I. Contractor's Personnel: The Contractor's key personnel designated by Contractor.

J. Days: Calendar days except when specified differently. When time is referred to in the Contract Documents by days, it will be computed to exclude the first and include the last day of such period. If the last day of any such period falls on a Saturday or Sunday or legal holiday, such day will be omitted from the computation.

K. Defective: When modifying the term "Work", referring to Work that is unsatisfactory, faulty or deficient, or does not conform to the Contract Documents, or that does

not meet the requirements of any inspection, reference standard, test or approval referred to in the Contract Documents, or that has been damaged prior to Owner's approval of final payment (unless responsibility for the protection thereof has been assumed by Owner).

L. Field Directive: A written order issued by Owner which orders minor changes in the Work not involving a change in Contract Time, to be paid from the Owner's contingency funds.

M. Final Completion Date: The date upon which the Project is fully constructed and all Work required on the Project and Project Site is fully performed as verified in writing by the Owner.

N. Float Time: The time available in the Project Schedule during which an unexpected activity can be completed without delaying Substantial Completion of the Work.

O. Force Majeure: Those conditions constituting excuse from performance as described in and subject to the conditions described in Article XII.

P. Notice to Proceed: Written notice by Owner (after execution of Contract) to Contractor fixing the date on which the Contract Time will commence to run and on which Contractor shall start to perform the Work.

Q. Owner: Manatee County, a political subdivision of the State of Florida.

R. Owner's Project Representative: The individual designated by Owner to perform those functions set forth in Section 7.8.

S. Payment and Performance Bond: The Payment and Performance Bond security posted pursuant to Section 2.4.Y to guarantee payment and performance by the Contractor of its obligations hereunder.

T. Permitting Authority: Any applicable governmental authority acting in its governmental and regulatory capacity which is required to issue or grant any permit, certificate, license or other approval which is required as a condition precedent to the commencement or approved of the Work, or any part thereof, including the building permit.

U. Procurement Ordinance: The Manatee County Procurement Code, Chapter 2-26 of the Manatee County Code of Laws, as amended from time to time.

V. Progress Report: A report to Owner that includes all information required pursuant to the Contract Documents and submitted in accordance with Section 2.4.EE, hereof.

W. Project: The total construction of which the Work performed under the Contract Documents may be the whole or a part and which may include construction by Owner and by separate contractors. For the purposes of the Contract Documents, the term Project shall include all areas of proposed improvements and all areas which may reasonably be judged to have an impact on the Project.

X. Project Costs: The costs incurred by the Contractor to plan, construct and equip the Project and included within, and paid as a component of, the Contract Sum.

Y. Project Manager: Subject to the prior written consent of Owner, the individual designated to receive notices on behalf of the Contractor, or such other individual designated by the Contractor, from time to time, pursuant to written notice in accordance with the Contract Documents.

Z. Project Plans and Specifications: The one hundred percent (100%) construction drawings and specifications prepared by the Architect/Engineer, and any changes, supplements, amendments or additions thereto approved by the Owner, which shall also include any construction drawings and final specifications required for the repair or construction of the Project, as provided herein.

AA. Project Schedule: The schedule and sequence of events for the commencement, progression and completion of the Project, developed pursuant to Section 2.3., as such schedule may be amended as provided herein.

BB. Project Site: The site depicted in the Project Plans and Specifications, inclusive of all rights of way, temporary construction easements or licensed or leased sovereign lands.

CC. Subcontractor: Any individual (other than a direct employee of the Contractor) or organization retained by Contractor to plan, construct or equip the Project pursuant to Article IV.

DD. Substantial Completion and Substantially Complete: The stage in the progress of the Work when the Work or designated portion thereof is sufficiently complete in accordance with the Contract Documents so that the Owner can occupy or utilize the Work for its intended use; provided, however, that as a condition precedent to Substantial Completion, the Owner has received all certificates of occupancy or completion and other permits, approvals, licenses, and other documents from any governmental authority which are necessary for the beneficial occupancy of the Project or any designated portion thereof.

EE. Substantial Completion Date: The date on which the Project or designated portion thereof is deemed to be Substantially Complete, as evidenced by receipt of (i) the Architect/Engineer's certificate of Substantial Completion, (ii) written Acceptance of the Project by the Owner, and (iii) approvals of any other authority as may be necessary or otherwise required.

FF. Substitute: Materials or equipment offered by the Contractor as an alternative to that set forth in the Project Plans and Specifications, where (i) the Project Plans and Specifications do not authorize an "approved equal", or (ii) the Owner, in its reasonable discretion, determines that a pre-authorized "approved equal" will result in a substantial change to the Work because of cost, quality or other difference in comparison to the materials or equipment specified.

GG. Unit Price Work: Work to be paid for on the basis of unit prices.

HH. Work: The term “Work” means the construction and services required by the Contract Documents, whether completed or partially completed, and includes all labor, materials, equipment and services provided or to be provided by the Contractor to fulfill the Contractor’s obligations. The Work may constitute the whole or a part of the Project.

II. Work Directive Change: A written directive to Contractor, issued on or after the effective date of the Agreement pursuant to Section 5.8 and signed by Owner’s Project Representative, ordering an addition, deletion or revision in the Work, or responding to differing or unforeseen physical conditions under which the Work is to be performed or responding to emergencies.

ARTICLE II RELATIONSHIP AND RESPONSIBILITIES

2.1 Relationship between Contractor and Owner. The Contractor accepts the relationship of trust and confidence established with Owner pursuant to the Contract Documents. The Contractor shall furnish its best skill and judgment and cooperate with Owner and Owner’s Project Representative in furthering the interests of the Owner. The Contractor agrees to provide the professional services required to complete the Project consistent with the Owner’s direction and the terms of the Contract Documents. All services provided hereunder by Contractor, either directly or through Subcontractors, shall be provided in accordance with sound construction practices and applicable professional construction standards.

A. Purpose. The purpose of the Contract Documents is to provide for the provision of construction services for the Project on the Project Site by the Contractor, and construction of the Project by the Contractor in accordance with the Project Plans and Specifications. The further purpose of the Contract Documents is to define and delineate the responsibilities and obligations of the parties to the Contract Documents and to express the desire of all such parties to cooperate to accomplish the purposes and expectations of the Contract Documents.

B. Construction Team. The Contractor, Owner and Architect/Engineer shall be called the “Construction Team” and shall work together as a team commencing upon full execution of the Contract Documents through Substantial Completion. As provided in Section 2.2, the Contractor and Architect/Engineer shall work jointly through completion and shall be available thereafter should additional services be required. The Contractor shall provide leadership to the Construction Team on all matters relating to construction. The Contractor understands, acknowledges and agrees that the Architect/Engineer shall provide leadership to the Construction Team on all matters relating to design.

C. Owner’s Reliance on Bid (or Guaranteed Maximum Price Addendum). The Contractor acknowledges that the representations, statements, information and pricing contained in its Bid (or Guaranteed Maximum Price Addendum) have been relied upon by the Owner and have resulted in the award of this Project to the Contractor.

2.2 General Contractor Responsibilities. In addition to the other responsibilities set forth herein, the Contractor shall have the following responsibilities pursuant to the Contract Documents:

A. Personnel. The Contractor represents that it has secured, or shall secure, all personnel necessary to perform the Work, none of whom shall be employees of the Owner. Primary liaison between the Contractor and the Owner shall be through the Owner's Project Representative and Contractor's Project Manager. All of the services required herein shall be performed by the Contractor or under the Contractor's supervision, and all personnel engaged in the Work shall be fully qualified and shall be authorized or permitted under law to perform such services.

B. Cooperation with Architect/Engineer. The Contractor's services shall be provided in conjunction with the services of the Architect/Engineer. In the performance of professional services, the Contractor acknowledges that time is critical for Project delivery. The Contractor acknowledges that timely construction utilizing the services of an Architect/Engineer and a Contractor requires maximum cooperation between all parties.

C. Timely Performance. The Contractor shall perform all services as expeditiously as is consistent with professional skill and care and the orderly progress of the Work, in accordance with the Project Schedule. Verification of estimated Project Schedule goals will be made as requested by the Owner.

D. Duty to Defend Work. In the event of any dispute between the Owner and any Permitting Authority that relates to the quality, completeness or professional workmanship of the Contractor's services or Work, the Contractor shall, at its sole cost and expense, cooperate with the Owner to defend the quality and workmanship of the Contractor's services and Work.

E. Trade and Industry Terminology. It is the intent of the Contract Documents to describe a functionally complete Project (or part thereof) to be constructed in accordance with the Contract Documents. Any Work, materials or equipment that may reasonably be inferred from the Contract Documents as being required to produce the intended result will be supplied whether or not specifically called for. When words which have a well-known technical or trade meaning are used to describe Work, materials, or equipment, such words shall be interpreted in accordance with that meaning. Reference to standard specifications, manuals or codes of any technical society, organization or association, or to the laws or regulations of any governmental authority, whether such reference be specific or by implication, shall mean the latest standard specification, manual, code or laws or regulations in effect at the time of opening of Bids (or at the time of execution of the Guaranteed Maximum Price Addendum), except as may be otherwise specifically stated. However, no provision of any referenced standard specification, manual or code (whether or not specifically incorporated by reference in the Contract Documents) shall be effective to change the duties and responsibilities of Owner or Contractor, or any of their agents or employees from those set forth in the Contract Documents. Computed dimensions shall govern over scaled dimensions.

2.3 Project Schedule. The Contractor, within ten (10) days after being awarded the Agreement, shall prepare and submit for the Owner's and Architect/Engineer's information a Contractor's construction schedule for the Work. The schedule shall not exceed time limits current under the Contract Documents, shall be revised at appropriate intervals as required by the conditions of the Work and Project, shall be related to the entire Project to the extent required by the Contract Documents, and shall provide for expeditious and practicable execution of Work.

- A. The Project Schedule shall show a breakdown of all tasks to be performed, and their relationship in achieving the completion of each phase of Work, subject to review of Owner and Architect/Engineer and approval or rejection by Owner. The Project Schedule shall show, at a minimum, the approximate dates on which each segment of the Work is expected to be started and finished, the proposed traffic flows during each month, the anticipated earnings by the Contractor for each month and the approximate number of crews and equipment to be used. The Project Schedule shall include all phases of procurement, approval of shop drawings, proposed Change Orders in progress, schedules for Change Orders, and performance testing requirements. The Project Schedule shall include a construction commencement date and Project Substantial Completion Date, which dates shall accommodate known or reasonably anticipated geographic, atmospheric and weather conditions.
- B. The Project Schedule shall serve as the framework for the subsequent development of all detailed schedules. The Project Schedule shall be used to verify Contractor performance and to allow the Owner's Project Representative to monitor the Contractor's efforts.
- C. The Project Schedule may be adjusted by the Contractor pursuant to Article V. The Owner shall have the right to reschedule Work provided such rescheduling is in accord with the remainder of terms of the Contract Documents.
- D. The Contractor shall prepare a submittal schedule, promptly after being awarded the Agreement and thereafter as necessary to maintain a current submittal schedule, and shall submit the schedule(s) for the Architect/Engineer's approval. The Architect/Engineer's approval shall not be unreasonably delayed or withheld. The submittal schedule shall (1) be coordinated with the Contractor's construction schedule, and (2) allow the Architect/Engineer reasonable time to review submittals. If the Contractor fails to submit a submittal schedule, the Contractor shall not be entitled to any increase in Contract Sum or extension of Contract Time based on the time required for review of submittals.
- E. The Contractor shall perform the Work in general accordance with the most recent schedules submitted to the Owner and Architect/Engineer.

2.4 Construction Services. The Contractor shall provide the following Construction Services:

A. Construction of Project. The Contractor shall work from the receipt of a Notice to Proceed through the Substantial Completion of the Project in accordance with the terms of the Contract Documents to manage the construction of the Project. The Construction Services provided by the Contractor to construct the Project shall include without limitation (1) all services necessary and commensurate with established construction standards, and (2) all services described in the Invitation for Bid (or Request for Proposal) and the Bid (or Guaranteed Maximum Price Addendum).

B. Notice to Proceed. A Notice to Proceed may be given at any time within thirty (30) days after the effective date of the Agreement. Contractor shall start to perform the Work on the date specified in the Notice to Proceed, but no Work shall be done at the site prior to the issuance of the Notice to Proceed.

C. Quality of Work. If at any time the labor used or to be used appears to the Owner as insufficient or improper for securing the quality of Work required or the required rate of progress, the Owner may order the Contractor to increase its efficiency or to improve the character of its Work, and the Contractor shall conform to such an order. Any such order shall not entitle Contractor to any additional compensation or any increase in Contract Time. The failure of the Owner to demand any increase of such efficiency or any improvement shall not release the Contractor from its obligation to secure the quality of Work or the rate of progress necessary to complete the Work within the limits imposed by the Contract Documents. The Owner may require the Contractor to remove such personnel as the Owner deems incompetent, careless, insubordinate or otherwise objectionable, or whose continued employment on the Project is deemed to be contrary to the Owner's interest. The Contractor shall provide good quality workmanship and shall promptly correct construction defects without additional compensation. Acceptance of the Work by the Owner shall not relieve the Contractor of the responsibility for subsequent correction of any construction defects.

D. Materials. All materials and equipment shall be of good quality and new, except as otherwise provided in the Contract Documents. If required by Architect/Engineer, Contractor shall furnish satisfactory evidence (including reports of required tests) as to the kind and quality of materials and equipment. All materials and equipment shall be applied, installed, connected, erected, used, cleaned and conditioned in accordance with the instruction of the applicable supplier except as otherwise provided in the Contract Documents.

E. Accountability for Work. The Contractor shall be solely accountable for its Work, including plans review and complete submittals. The Contractor shall be solely responsible for means, methods, techniques, sequences and procedures of construction. If a specific means, method, technique, sequence or procedure of construction is required by the Contract Documents, the Contractor may utilize an alternative means, method, technique, sequence or procedure acceptable to the Architect/Engineer if the Contractor submits sufficient information to allow the Architect/Engineer to determine that the alternative is equivalent to that required by the Contract Documents.

F. Contract Sum. The Contractor shall construct the Project so that the Project can be built for a cost not to exceed the Contract Sum.

G. Governing Specifications. In the absence of specified Owner design standards or guidelines, the Architect/Engineer shall use, and the Contractor shall comply with, the most recent version of the applicable FDOT or AASHTO design standards. In general, the Project shall be constructed by the Contractor in accordance with applicable industry standards. The Contractor shall be responsible for utilizing and maintaining current knowledge of any laws, ordinances, codes, rules, regulations, standards, guidelines, special conditions, specifications or other mandates relevant to the Project or the services to be performed.

H. Adherence to Project Schedule. The development and equipping of the Project shall be undertaken and completed in accordance with the Project Schedule, and within the Contract Time described therein.

I. Superintendent. The Contractor shall employ a competent superintendent and necessary assistants who shall be in attendance at the Project Site during performance of the Work. The superintendent shall represent the Contractor, and communications given to the superintendent shall be as binding as if given to the Contractor.

(1) The Contractor, as soon as practicable after award of the Agreement, shall furnish in writing to the Owner through the Architect/Engineer the name and qualifications of the proposed superintendent. The Architect/Engineer may reply within 14 days to the Contractor in writing stating (1) whether the Owner or the Architect/Engineer has reasonable objection to the proposed superintendent or (2) that the Architect/Engineer requires additional time to review. Failure of the Architect/Engineer to reply within 14 days shall constitute notice of no reasonable objection.

(2) The Contractor shall not employ a proposed superintendent to whom the Owner or Architect/Engineer has made reasonable and timely objection. The Contractor shall not change the superintendent without the Owner's consent, which shall not be unreasonably withheld or delayed.

J. Work Hours. Contractor shall provide competent, suitable qualified personnel to survey and lay out the Work and perform construction as required by the Contract Documents. Contractor shall at all times maintain good discipline and order at the site. Except in connection with the safety or protection of persons or the Work or property at the site or adjacent thereto and except as otherwise indicated in the Contract Documents, all Work at the site shall be performed during regular working hours, and Contractor shall not permit overtime work or the performance of Work on a Saturday, Sunday or legal holiday without Owner's written consent given after prior notice to Architect/Engineer (at least seventy-two (72) hours in advance).

K. Overtime-Related Costs. Contractor shall pay for all additional Architect/Engineer charges, inspection costs and Owner staff time for any overtime work which may be authorized. Such additional charges shall be an obligation of Contractor and no extra payment shall be made by Owner because such overtime work. At Owner's option, such overtime costs may be deducted from Contractor's monthly payment request or Contractor's retainage prior to release of final payment. Contractor's obligation to pay all overtime-related costs shall not apply if Contractor is directed by Owner to work overtime solely for Owner's convenience.

L. Insurance, Overhead and Utilities. Unless otherwise specified, Contractor shall furnish and assume full responsibility for all bonds, insurance, materials, equipment, labor, transportation, construction equipment and machinery, tools, appliances, fuel, power, light, heat, telephone, water, sanitary facilities, temporary facilities and all other facilities and incidentals necessary for the furnishing, performance, testing, start-up and completion of the Work.

M. Cleanliness. The Contractor shall keep the premises and surrounding area free from accumulation of waste materials or rubbish caused by operations under the Contract. At completion of the Work, the Contractor shall remove waste materials, rubbish, the Contractor's tools, construction equipment, machinery and surplus materials from and about the Project Site.

Contractor shall restore to original conditions all property not designated for alteration by the Contract Documents. If the Contractor fails to clean up as provided in the Contract Documents, the Owner may do so and Owner shall be entitled to reimbursement from Contractor.

N. Loading. Contractor shall not load nor permit any part of any structure to be loaded in any manner that will endanger the structure, nor shall Contractor subject any part of the Work or adjacent property to stresses or pressures that will endanger it.

O. Safety and Protection. Contractor shall comply with all applicable federal, state and local safety regulations. Contractor shall be responsible for initiating, maintaining and supervising all safety precautions and programs in connection with the Work. Contractor shall take all necessary precautions for the safety of and shall provide the necessary protection to prevent damage, injury or loss to:

- (1) All employees on the Work and other persons and organizations who may be affected thereby;
- (2) All the Work and materials and equipment to be incorporated therein, whether in storage on or off the Project Site; and
- (3) Other property at the Project Site or adjacent thereto, including trees, shrubs, lawns, walks, pavements, roadways, structures, utilities and underground facilities not designated for removal, relocation or replacement during construction.

Contractor shall comply with all applicable laws and regulations of any public body having jurisdiction for the safety of persons or property or to protect them from damage, injury or loss, and shall erect and maintain all necessary safeguards for such safety and protection. Contractor shall provide and maintain all passageways, guard fences, lights and other facilities for the protection required by public authority or local conditions. Contractor shall provide reasonable maintenance of traffic for the public and preservation of the Owner's business, taking into full consideration all local conditions. Contractor's duties and responsibilities for safety and protection with regard to the Work shall continue until such time as all the Work is completed.

P. Emergencies. In emergencies affecting the safety or protection of persons or the Work or property at the Project Site or adjacent thereto, Contractor, without special instruction or authorization from Architect/Engineer or Owner, shall act to prevent threatened damage, injury or loss. Contractor shall give Owner prompt written notice if Contractor believes that any significant changes in the Work or variations from the Contract Documents have been caused thereby. If Owner determines that a change in the Project is required because of the action taken in response to an emergency, a Work Directive Change or Change Order will be issued to document the consequences of the changes or variation.

Q. Substitutes. For Substitutes not included with the Bid (or Guaranteed Maximum Price Addendum), but submitted after the effective date of the Agreement (or Guaranteed Maximum Price Addendum), Contractor shall make written application to Architect/Engineer for acceptance thereof, certifying that the proposed Substitute will perform adequately the functions and achieve the results called for by the general design, be similar and of equal substance to that specified and be suited to the same use as that specified. The application

will also contain an itemized estimate of all costs and delays or schedule impacts that will result directly or indirectly from review, acceptance and provision of such Substitute, including costs of redesign and claims of other contractors affected by the resulting change, all of which will be considered by the Architect/Engineer in evaluating the proposed Substitute. Architect/Engineer may require Contractor to furnish at Contractor's expense, additional data about the proposed Substitute. In rendering a decision, Owner, Architect/Engineer and Contractor shall have access to any available Float Time in the Project Schedule. If Substitute materials or equipment not included as part of the Bid (or Guaranteed Maximum Price Addendum), but proposed after the effective date of the Agreement, are accepted and are less costly than the originally specified materials or equipment, then the net difference in cost shall be credited to the Owner and an appropriate Change Order executed to adjust the Contract Sum.

- (1) Architect/Engineer will be allowed a reasonable time within which to evaluate each proposed Substitute. Architect/Engineer will be the sole judge of acceptability and no Substitute will be ordered, installed or utilized without Architect/Engineer's prior written acceptance which will be evidenced by either a Change Order or an approved shop drawing. Owner may require Contractor to furnish at Contractor's expense a special performance guarantee or other surety with respect to any Substitute.
- (2) Contractor shall reimburse Owner for the charges of Architect/Engineer and Architect/Engineer's Consultants for evaluating each proposed Substitute submitted after the effective date of the Agreement and all costs resulting from any delays in the Work while the Substitute was undergoing review.

R. Surveys and Stakes. The Contractor shall furnish, as part of the Contract Sum, all labor, stakes, surveys, batter boards for structures, grade lines and other materials and supplies and shall set construction stakes and batter boards for establishing lines, position of structures, slopes and other controlling points necessary for the proper prosecution of the Work. Where rights-of-way, easements, property lines or any other conditions which make the lay-out of the Project or parts of the Project critical are involved, the Contractor shall employ a competent surveyor who is registered in the State of Florida for lay-out and staking. These stakes and marks shall constitute the field control by and in accord with which the Contractor shall govern and execute the Work. The Contractor shall be held responsible for the preservation of all stakes and marks and if for any reason any of the stakes or marks or batter boards become destroyed or disturbed, they shall be immediately and accurately replaced by the Contractor.

S. Suitability of Project Site. The Contractor has, by careful examination, satisfied itself as to the nature and location of the Work and all other matters which can in any way affect the Work, including, but not limited to details pertaining to borings, as shown on the drawings. Such boring information is not guaranteed to be more than a general indication of the materials likely to be found adjacent to holes bored at the Project Site, approximately at the locations indicated. The Contractor has examined boring data, where available, made its own interpretation of the subsurface conditions and other preliminary data, and has based its Bid (or Guaranteed Maximum Price Addendum) on its own opinion of the conditions likely to be encountered. Except as specifically provided in Sections 2.4.U., 5.4 and 5.5, no extra compensation or extension of time will be considered for any Project Site conditions that existed at the time of bidding (or at the time of execution of the Guaranteed Maximum Price Addendum). No verbal agreement or conversation with any officer, agent or employee of the Owner, before or

after the execution of the Agreement, shall affect or modify any of the terms or obligations herein contained.

T. Project Specification Errors. If the Contractor, during the Work, finds that the drawings, specifications or other Contract Documents cannot be followed, the Contractor shall immediately inform the Owner in writing, and the Owner shall promptly check the accuracy of the information. Any Work done after such discovery, until any necessary changes are authorized, will be done at the Contractor's sole risk of non-payment and delay.

U. Remediation of Contamination. Owner and Contractor recognize that remediation of subsurface conditions may be necessary due to potential hazardous materials contamination. Because the presence or extent of any contamination is not known, Contractor shall include no cost in the Contract Sum, and no time in the Project Schedule, for cost or delays that might result from any necessary remediation. The Project Schedule will provide a period of time between demolition activities and the start of the next activity to commence any remediation if needed. Contractor shall use all reasonable efforts in scheduling the Project to minimize the likelihood that remediation delays construction. Any hazardous materials remediation Work which Contractor agrees to perform shall be done pursuant to a Change Order or amendment consistent with the following:

- (1) The dates of Substantial Completion shall be equitably adjusted based on delays, if any, incurred in connection with remediation efforts.
- (2) Contractor, and any Subcontractors which have mobilized on the Project Site, shall be paid for demonstrated costs of overhead operations at the Project Site during any period of delay of more than seven (7) days, except to the extent that Work proceeds concurrently with remediation. The categories of costs to be reimbursed are limited to those reasonably incurred at the jobsite during the delay period (such as trailers or offices, telephones, faxes, and the like); equipment dedicated to the Project and located at the Project Site; salaries and associated costs of personnel dedicated to the Project to the extent that they do not perform work on other projects; and other jobsite costs that are reasonable and which are incurred during the delay period. Subcontractors and suppliers which have not mobilized are limited to the costs set forth in Section 2.4.U(3).
- (3) Contractor and any Subcontractor or supplier on the Project who is eligible for compensation shall be paid any demonstrated costs of escalation in materials or labor, and reasonable costs of off-site storage of materials identified to the Project, arising because of any delay of more than seven (7) days. Such Contractor, Subcontractors and suppliers are obligated to take all reasonable steps to mitigate escalation costs, such as through early purchase of materials.
- (4) Contractor, for itself and all Subcontractors and suppliers on the Project, hereby agrees that the extension of time for delays under Section 2.4.U(1), and payment of the costs identified in Sections 2.4.U(2) and/or Section 2.4.U(3), are the sole remedies for costs and delays described in this Section, and waives all claims and demands for extended home office

overhead (including, but not limited to, "Eichleay" claims), lost profit or lost opportunities, and any special, indirect, or consequential damages arising as a result of delays described in this Section. The Contract Sum shall be adjusted to reflect payment of allowable costs.

- (5) If any delay described in this section causes the time or cost for the Project to exceed the Contract Time or the Contract Sum, then the Owner may terminate the Agreement pursuant to Section 14.2.
- (6) Contractor and any Subcontractor or supplier seeking additional costs under this Section 2.4.U. shall promptly submit estimates or any costs as requested by Owner, and detailed back-up for all costs when payment is sought or whenever reasonably requested by Owner. All costs are auditable, at Owner's discretion. Bid, estimate and pricing information reasonably related to any request for additional compensation will be provided promptly upon request.
- (7) Contractor shall include provisions in its subcontracts and purchase orders consistent with this Section.

V. Interfacing.

- (1) The Contractor shall take such measures as are necessary to ensure proper construction and delivery of the Project, including but not limited to providing that all procurement of long-lead items, the separate construction Subcontractors, and the general conditions items are performed without duplication or overlap to maintain completion of all Work on schedule. Particular attention shall be given to provide that each Subcontractor bid package clearly identifies the Work included in that particular separate subcontract, its scheduling for start and completion, and its relationship to other separate contractors.
- (2) Without assuming any design responsibilities of the Architect/Engineer, the Contractor shall include in the Progress Reports required under this Section 2.4 comments on overlap with any other separate subcontracts, omissions, lack of correlation between drawings, and any other deficiencies noted, in order that the Architect/Engineer may arrange for necessary corrections.

W. Job Site Facilities. The Contractor shall arrange for all job site facilities required and necessary to enable the Contractor and Architect/Engineer to perform their respective duties and to accommodate any representatives of the Owner which the Owner may choose to have present on the Project Site.

X. Weather Protection. The Contractor shall provide temporary enclosures of building areas to assure orderly progress of the Work during periods when extreme weather conditions are likely to be experienced. The Contractor shall also be responsible for providing weather protection for Work in progress and for materials stored on the Project Site. A contingency plan shall be prepared upon request of the Owner for weather conditions that may affect the construction.

Y. Payment and Performance Bond. Prior to the construction commencement date, the Contractor shall obtain, for the benefit of and directed to the Owner, a Payment and Performance Bond satisfying the requirements of Section 255.05, Florida Statutes, covering the faithful performance by the Contractor of its obligations under the Contract Documents, including but not limited to the construction of the Project on the Project Site and the payment of all obligations arising thereunder, including all payments to Subcontractors, laborers, and materialmen. The surety selected by the Contractor to provide the Payment and Performance Bond shall be approved by the Owner prior to the issuance of such Bond, which approval shall not be unreasonably withheld or delayed provided that the surety is rated A or better by Best's Key Guide, latest edition. For Changes in the Work that result in an increase in the Contract Sum, Owner reserves the right to require the Contractor to secure and deliver additive riders to the Payment and Performance Bond.

Z. Construction Phase; Building Permit; Code Inspections. Unless otherwise provided, Contractor shall obtain and pay for all construction permits and licenses. Owner shall assist Contractor, when necessary, in obtaining such permits and licenses. Contractor shall pay all governmental charges and inspection fees necessary for the prosecution of the Work.

- (1) Building Permit. The Owner and Architect/Engineer shall provide such information to any Permitting Authority as is necessary to obtain approval from the Permitting Authority to commence construction prior to beginning construction. The Contractor shall pull any required building permit, and shall be responsible for delivering and posting the building permit at the Project Site prior to the commencement of construction. The cost of the building permit is included in the Contract Sum. The Owner and Architect/Engineer shall fully cooperate with the Contractor when and where necessary.
- (2) Code Inspections. The Project requires detailed code compliance inspection during construction in disciplines determined by any Permitting Authority. These disciplines normally include, but are not necessarily limited to, structural, mechanical, electrical, plumbing, general building and fire. The Contractor shall notify the appropriate inspector(s) and the Architect/Engineer, no less than 24 hours in advance, when the Work is ready for inspection and before the Work is covered up. All inspections shall be made for conformance with the applicable ordinances and building codes. Costs for all re-inspections of Work found defective and subsequently repaired shall not be included as Project Costs and shall be borne by the Contractor or as provided in the contract between Contractor and Subcontractor.
- (3) Contractor's Personnel. The Contractor shall maintain sufficient off-site support staff and competent full-time staff at the Project Site authorized to act on behalf of the Contractor to coordinate, inspect, and provide general direction of the Work and progress of the Subcontractors. At all times during the performance of the Work, the Owner shall have the right to demand replacement of Contractor Personnel to whom the Owner has reasonable objection, without liability to the Contractor.

- (4) Lines of Authority. To provide general direction of the Work, the Contractor shall establish and maintain lines of authority for its personnel and shall provide this information to the Owner and all other affected parties, such as the code inspectors of any Permitting Authority, the Subcontractors, and the Architect/Engineer. The Owner and Architect/Engineer may attend meetings between the Contractor and his Subcontractors; however, such attendance is optional and shall not diminish either the authority or responsibility of the Contractor to administer the subcontracts.

AA. Quality Control. The Contractor shall develop and maintain a program, acceptable to the Owner and Architect/Engineer, to assure quality control of the construction. The Contractor shall be responsible for and supervise the Work of all Subcontractors, providing instructions to each when their Work does not conform to the requirements of the Project Plans and Specifications, and the Contractor shall continue to coordinate the Work of each Subcontractor to ensure that corrections are made in a timely manner so as to not affect the efficient progress of the Work. Should a disagreement occur between the Contractor and the Architect/Engineer over the acceptability of the Work, the Owner, at its sole discretion and in addition to any other remedies provided herein, shall have the right to determine the acceptability, provided that such determination is consistent with standards for construction projects of this type and generally accepted industry standards for workmanship in the State of Florida.

BB. Management of Subcontractors. All Subcontractors shall be compensated in accordance with Article IV. The Contractor shall solely control the Subcontractors. The Contractor shall negotiate all Change Orders and Field Orders with all affected Subcontractors and shall review the costs and advise the Owner and Architect/Engineer of their validity and reasonableness, acting in the Owner's best interest. When there is an imminent threat to health and safety, and Owner's Project Representative concurrence is impractical, the Contractor shall act immediately to remove the threats to health and safety and shall subsequently fully inform Owner of all such action taken. The Contractor shall also carefully review all shop drawings and then forward the same to the Architect/Engineer for review and actions. The Architect/Engineer will transmit them back to the Contractor, who will then issue the shop drawings to the affected Subcontractor for fabrication or revision. The Contractor shall maintain a suspense control system to promote expeditious handling. The Contractor shall request the Architect/Engineer to make interpretations of the drawings or specifications requested of him by the Subcontractors and shall maintain a business system to promote timely response. The Contractor shall inform the Architect/Engineer which shop drawings or requests for clarification have the greatest urgency, to enable the Architect/Engineer to prioritize requests coming from the Contractor. The Contractor shall advise the Owner and Architect/Engineer when timely response is not occurring on any of the above.

CC. Job Requirements.

- (1) The Contractor shall provide each of the following as a part of its services hereunder:
- (a) Maintain a log of daily activities, including manpower records, equipment on site, weather, delays, major decisions, etc;

- (b) Maintain a roster of companies on the Project with names and telephone numbers of key personnel;
- (c) Establish and enforce job rules governing parking, clean-up, use of facilities, and worker discipline;
- (d) Provide labor relations management and equal opportunity employment for a harmonious, productive Project;
- (e) Provide and administer a safety program for the Project and monitor for subcontractor compliance without relieving them of responsibilities to perform Work in accordance with best acceptable practice;
- (f) Provide a quality control program as provided under Section 2.4.C above;
- (g) Provide miscellaneous office supplies that support the construction efforts which are consumed by its own forces;
- (h) Provide for travel to and from its home office to the Project Site and to those other places within Manatee County as required by the Project;
- (i) Verify that tests, equipment, and system start-ups and operating and maintenance instructions are conducted as required and in the presence of the required personnel and provide adequate records of same to the Architect/Engineer;
- (j) Maintain at the job site orderly files for correspondence, reports of job conferences, shop drawings and sample submissions, reproductions of original Contract Documents including all addenda, change orders, field orders, additional drawings issued after execution of the Agreement, Owner/Architect/Engineer's clarifications and interpretations of the Contract Documents, Progress Reports, as-built drawings, and other project related documents;
- (k) Keep a diary or log book, recording hours on the job site, weather conditions, data relative to questions of extras or deductions; list of visiting officials and representatives or manufacturers, fabricators, suppliers and distributors; daily activities, decisions, observations in general and specific observations in more detail as in the case of observing test procedures, and provide copies of same to Owner/Architect/Engineer;
- (l) Record names, addresses and telephone numbers of all Contractors, Subcontractors and major suppliers of materials and equipment;

- (m) Furnish Owner/Architect/Engineer periodic reports, as required, of progress of the Work and Contractor's compliance with the approved progress schedule and schedule of shop drawing submissions;
 - (n) Consult with Owner/Architect/Engineer in advance of scheduling major tests, inspections or start of important phases of the Work;
 - (o) Verify, during the course of the Work, that certificates, maintenance and operations manuals and other data required to be assembled and furnished are applicable to the items actually installed, and deliver same to Owner/Architect/Engineer for review prior to final Acceptance of the Work; and
 - (p) Cooperate with Owner in the administration of grants.
- (2) The Contractor shall provide personnel and equipment, or shall arrange for separate Subcontractors to provide each of the following as a Project Cost:
- (a) Services of independent testing laboratories, and provide the necessary testing of materials to ensure conformance to contract requirements; and
 - (b) Printing and distribution of all required bidding documents and shop drawings, including the sets required by Permitting Authority inspectors.

DD. As-Built Drawings. The Contractor shall continuously review as-built drawings and mark up progress prints to provide as much accuracy as possible. Prior to, and as a requirement for authorizing final payment to the Contractor due hereunder, the Contractor shall provide to the Owner an original set of marked-up, as-built Project Plans and Specifications and an electronic format of those records showing the location and dimensions of the Project as constructed, which documents shall be certified as being correct by the Contractor and the Architect/Engineer. Final as-built drawings shall be signed and sealed by a registered Florida surveyor.

EE. Progress Reports. The Contractor shall forward to the Owner, as soon as practicable after the first day of each month, a summary report of the progress of the various parts of the Work, to include those parts of the Work in fabrication and in the field, stating the existing status, estimated time of completion and cause of delay, if any. Together with the summary report, the Contractor shall submit any necessary revisions to the original schedule for the Owner's review and approval. In addition, more detailed schedules may be required by the Owner for daily traffic control.

FF. Contractor's Warranty. The Contractor warrants to the Owner and Architect/Engineer that materials and equipment furnished under the Contract will be of good quality and new unless the Contract Documents require or permit otherwise. The Contractor further warrants that the Work will conform to the requirements of the Contract Documents and

will be free from defects, except for those inherent in the quality of the Work the Contract Documents require or permit. Work, materials, or equipment not conforming to these requirements will be considered defective. The Contractor's warranty excludes remedy for damage or defect caused by abuse, alterations to the Work not executed by the Contractor, improper or insufficient maintenance, improper operation, or normal wear and tear and normal usage. If required by the Architect/Engineer, the Contractor shall furnish satisfactory evidence as to the kind and quality of materials and equipment.

- (1) Contractor shall use its best efforts and due diligence to ensure that during the warranty period, those entities or individuals who have provided direct warranties to the Owner as required by the Contract Documents perform all required warranty Work in a timely manner and at the sole cost and expense of such warranty providers. Any such cost or expense not paid by the warranty providers shall be paid by the Contractor, to include any costs and attorney's fees incurred in warranty-related litigation between Contractor and any Subcontractors.
- (2) The Contractor shall secure guarantees and warranties of Subcontractors, equipment suppliers and materialmen, and assemble and deliver same to the Owner in a manner that will facilitate their maximum enforcement and assure their meaningful implementation. The Contractor shall collect and deliver to the Owner any specific written guaranties or warranties given by others as required by subcontracts.
- (3) At the Owner's request, the Contractor shall conduct, jointly with the Owner and the Architect/Engineer, no more than two (2) warranty inspections within three (3) years after the Substantial Completion Date.

GG. Apprentices. If Contractor employs apprentices, their performance of Work shall be governed by and shall comply with the provisions of Chapter 446, Florida Statutes.

HH. Schedule of Values. Unit prices shall be established for this Agreement by the submission of a schedule of values within ten (10) days of receipt of the Notice to Proceed. The schedule shall include quantities and prices of items equaling the Contract Sum and will subdivide the Work into components in sufficient detail to serve as the basis for progress payments during construction. Such prices shall include an appropriate amount of overhead and profit applicable to each item of Work. Upon request of the County, the Contractor shall support the values with data which will substantiate their correctness.

II. Other Contracts. The Owner reserves the right to let other contracts in connection with this Work. The Contractor shall afford other contractors reasonable opportunity for the introduction and storage of their materials and execution of their work, and promptly connect and coordinate the Work with theirs.

ARTICLE III COMPENSATION

3.1 Compensation. The Contract Sum constitutes the total compensation (subject to authorized adjustments) payable to Contractor for performing the Work. All duties, responsibilities and obligations assigned to or undertaken by Contractor shall be at Contractor's expense without change in the Contract Sum.

A. Adjustments. The Contract Sum may only be changed by Change Order or by a written amendment. Any claim for an increase or decrease in the Contract Sum shall be based on written notice delivered by the party making the claim to the other party. Notice of the amount of the claim with supporting data shall be delivered within fifteen (15) days from the beginning of such occurrence and shall be accompanied by claimant's written statement that the amount claimed covers all amounts to which the claimant is entitled as a result of the occurrence of said event. Failure to deliver a claim within the requisite 15-day period shall constitute a waiver of the right to pursue said claim.

B. Valuation. The value of any Work covered by a Change Order or of any claim for an increase or decrease in the Contract Sum shall be determined in one of the following ways (at Owner's discretion):

- (1) In the case of Unit Price Work, in accordance with Section 3.1.C, below; or
- (2) By mutual acceptance of a lump sum; or
- (3) On the basis of the cost of the Work, plus a negotiated Contractor's fee for overhead and profit. Contractor shall submit an itemized cost breakdown together with supporting data.

C. Unit Price Work. The unit price of an item of Unit Price Work shall be subject to re-evaluation and adjustment pursuant to a requested Change Order under the following conditions:

- (1) If the total cost of a particular item of Unit Price Work amounts to 5% or more of the Contract Sum and the variation in the quantity of the particular item of Unit Price Work performed by Contractor differs by more than 15% from the estimated quantity of such item indicated in the Agreement; and
- (2) If there is no corresponding adjustment with respect to any other item of Work; and
 - (i) If Contractor believes that it has incurred additional expense as a result thereof; or
 - (ii) If Owner believes that the quantity variation entitles it to an adjustment in the unit price; or
 - (iii) If the parties are unable to agree as to the effect of any such variations in the quantity of Unit Price Work performed.

3.2 Schedule of Compensation. All payments for services and material under the Contract Documents shall be made in accordance with the following provisions.

A. Periodic Payments for Services. The Contractor shall be entitled to receive payment for Construction Services rendered pursuant to Section 2.4 in periodic payments which shall reflect a fair apportionment of cost and schedule of values of services furnished prior to payment, subject to the provisions of this Section.

B. Payment for Materials and Equipment. In addition to the periodic payments authorized hereunder, payments may be made for material and equipment not incorporated in the Work but delivered and suitably stored at the Project Site, or another location, subject to prior approval and acceptance by the Owner on each occasion.

C. Credit toward Contract Sum. All payments for Construction Services made hereunder shall be credited toward the payment of the Contract Sum as Contractor's sole compensation for the construction of the Project.

3.3 Invoice and Payment. All payments for services and materials under the Contract Documents shall be invoiced and paid in accordance with the following provisions.

A. Invoices. The Contractor shall submit to the Owner periodic invoices for payment, in a form acceptable to the Owner, which shall include a sworn statement certifying that, to the best of the Contractor's knowledge, information and belief, the construction has progressed to the point indicated, the quality and the Work covered by the invoice is in accord with the Project Plans and Specifications, and the Contractor is entitled to payment in the amount requested, along with the cost reports required pursuant to Article II, showing in detail all monies paid out, Project Costs accumulated, or Project Cost incurred during the previous period. This data shall be attached to the invoice.

B. Additional Information; Processing of Invoices. Should an invoiced amount appear to exceed the Work effort believed to be completed, the Owner may, prior to processing of the invoice for payment, require the Contractor to submit satisfactory evidence to support the invoice. All Progress Reports and invoices shall be delivered to the attention of the Owner's Project Representative. Invoices not properly prepared (mathematical errors, billing not reflecting actual Work done, no signature, etc.) shall be returned to the Contractor for correction.

C. Architect/Engineer's Approval. Payment for Work completed shall be subject to the Architect/Engineer approving the payment requested by the Contractor and certifying the amount thereof that has been properly incurred and is then due and payable to the Contractor, and identifying with specificity any amount that has not been properly incurred and that should not be paid.

D. Warrants of Contractor with Respect to Payments. The Contractor warrants that (1) upon payment of any retainage, materials and equipment covered by a partial payment request will pass to Owner either by incorporation in construction or upon receipt of payment by the Contractor, whichever occurs first; (2) Work, materials and equipment covered by previous partial payment requests shall be free and clear of liens, claims, security interests, or encumbrances; and (3) no Work, materials or equipment covered by a partial payment request which has been acquired by the Contractor or any other person performing Work at the Project Site, or furnishing materials or equipment for the Project, shall be subject to an agreement under

which an interest therein or an encumbrance thereon is retained by the seller or otherwise imposed by the Contractor or any other person.

E. All Compensation Included. Contractor's compensation includes full payment for services set forth in the Contract Documents, including but not limited to overhead, profit, salaries or other compensation of Contractor's officers, partners and/or employees, general operating expenses incurred by Contractor and relating to this Project, including the cost of management, supervision and data processing staff, job office equipment and supplies, and other similar items.

ARTICLE IV SUBCONTRACTORS

4.1 Subcontracts. At the Owner's request, the Contractor shall provide Owner's Project Representative with copies of all proposed and final subcontracts, including the general and supplementary conditions thereof.

A. Subcontracts Generally. All subcontracts shall: (1) require each Subcontractor to be bound to Contractor to the same extent Contractor is bound to Owner by the terms of the Contract Documents, as those terms may apply to the portion of the Work to be performed by the Subcontractor, (2) provide for the assignment of the subcontracts from Contractor to Owner at the election of Owner, upon termination of Contractor, (3) provide that Owner will be an additional indemnified party of the subcontract, (4) provide that Owner will be an additional insured on all insurance policies required to be provided by the Subcontractor, except workers' compensation, (5) assign all warranties directly to Owner, and (6) identify Owner as an intended third-party beneficiary of the subcontract.

(1) A Subcontractor is a person or entity who has a direct contract with Contractor to perform a portion of the Work at the site. The term "Subcontractor" is referred to throughout the Contract Documents as if singular in number and means a Subcontractor or an authorized representative of the Subcontractor. The term "Subcontractor" does not include a separate contractor or subcontractors of a separate contractor.

(2) A Sub-subcontractor is a person or entity who has a direct or indirect contract with a Subcontractor to perform a portion of the Work at the site. The term "Sub-subcontractor" is referred to throughout the Contract Documents as if singular in number and means a Sub-subcontractor or an authorized representative of the Sub-subcontractor.

B. No Damages for Delay. Except when otherwise expressly agreed to by Owner in writing, all subcontracts shall provide:

"LIMITATION OF REMEDIES – NO DAMAGES FOR DELAY. The Subcontractor's exclusive remedy for delays in the performance of the contract caused by events beyond its control, including delays claimed to be caused by the Owner or Architect/Engineer or attributable to the Owner or Architect/Engineer and including claims based on breach of contract or negligence, shall be an extension of its contract time and shall in no way involve any monetary claim."

Each subcontract shall require that any claims by the Subcontractor for delay must be submitted to the Contractor within the time and in the manner in which the Contractor must submit such claims to the Owner, and that failure to comply with the conditions for giving notice and submitting claims shall result in the waiver of such claims.

C. Subcontractual Relations. The Contractor shall require each Subcontractor to assume all the obligations and responsibilities which the Contractor owes the Owner pursuant to the Contract Documents, by the parties to the extent of the Work to be performed by the Subcontractor. Said obligations shall be made in writing and shall preserve and protect the rights of the Owner and Architect/Engineer, with respect to the Work to be performed by the Subcontractor, so that the subcontracting thereof will not prejudice such rights. Where appropriate, the Contractor shall require each Subcontractor to enter into similar agreements with its sub-subcontractors.

D. Insurance; Acts and Omissions. Insurance requirements for Subcontractors shall be no more stringent than those requirements imposed on the Contractor by the Owner. The Contractor shall be responsible to the Owner for the acts and omissions of its employees, agents, Subcontractors, their agents and employees, and all other persons performing any of the Work or supplying materials under a contract to the Contractor.

4.2 Relationship and Responsibilities. Except as specifically set forth herein with respect to direct materials acquisitions by Owner, nothing contained in the Contract Documents or in any Contract Document does or shall create any contractual relation between the Owner or Architect/Engineer and any Subcontractor. Specifically, the Contractor is not acting as an agent of the Owner with respect to any Subcontractor. The utilization of any Subcontractor shall not relieve Contractor from any liability or responsibility to Owner, or obligate Owner to the payment of any compensation to the Subcontractor or additional compensation to the Contractor.

4.3 Payments to Subcontractors; Monthly Statements. The Contractor shall be responsible for paying all Subcontractors from the payments made by the Owner to Contractor pursuant to Article III, subject to the following provisions:

A. Payment. The Contractor shall, no later than ten (10) days after receipt of payment from the Owner, out of the amount paid to the Contractor on account of such Subcontractor's Work, pay to each Subcontractor the amount to which the Subcontractor is entitled in accordance with the terms of the Contractor's contract with such Subcontractor. The Contractor shall, by appropriate agreement with each Subcontractor, require each Subcontractor to make payments to sub-Subcontractors in a similar manner. After receipt of payment from Owner, if the need should arise to withhold payments to Subcontractors for any reason, as solely determined by Contractor, the Contractor shall promptly restore such monies to the Owner, adjusting subsequent pay requests and Project bookkeeping as required.

B. Final Payment of Subcontractors. The final payment of retainage to Subcontractors shall not be made until the Project has been inspected by the Architect/Engineer or other person designated by the Owner for that purpose, and until both the Architect/Engineer and the Contractor have issued a written certificate that the Project has been constructed in accordance with the Project Plans and Specifications and approved Change Orders. Before issuance of final payment to any Subcontractor without any retainage, the Subcontractor shall submit satisfactory evidence that all payrolls, material bills, and other indebtedness connected with the Project have

been paid or otherwise satisfied, warranty information is complete, as-built markups have been submitted, and instruction for the Owner's operating and maintenance personnel is complete. Final payment may be made to certain select Subcontractors whose Work is satisfactorily completed prior to the completion of the Project, but only upon approval of the Owner's Project Representative.

4.4 Responsibility for Subcontractors. As provided in Section 2.4.BB, Contractor shall be fully responsible to Owner for all acts and omissions of the Subcontractors, suppliers and other persons and organizations performing or furnishing any of the Work under a direct or indirect Contract with Contractor just as Contractor is responsible for Contractor's own acts and omissions.

4.5 Contingent Assignment of Subcontracts. Each subcontract agreement for a portion of the Work is assigned by the Contractor to the Owner, provided that:

- (1) assignment is effective only after termination of the Contract by the Owner for cause pursuant to Article XIV and only for those subcontract agreements that the Owner accepts by notifying the Subcontractor and Contractor in writing; and
- (2) assignment is subject to the prior rights of the surety, if any, obligated under bond relating to the Agreement.

When the Owner accepts the assignment of a subcontract agreement, the Owner assumes the Contractor's rights and obligations under the subcontract. Upon such assignment, if the Work has been suspended for more than thirty (30) days, the Subcontractor's compensation shall be equitably adjusted for increases in cost resulting from the suspension. Upon such assignment to the Owner, the Owner may further assign the subcontract to a successor contractor or other entity. If the Owner assigns the subcontract to a successor contractor or other entity, the Owner shall nevertheless remain legally responsible for all of the successor contractor's obligations under the subcontract.

ARTICLE V CHANGES IN WORK

5.1 General. Changes in the Work may be accomplished after execution of the Agreement, and without invalidating the Agreement, by Change Order, Work Directive Change or order for a minor change in the Work, subject to the limitations stated in this Article V and elsewhere in the Contract Documents. A Change Order shall be based upon agreement among the Owner, Contractor and Architect/Engineer; a Work Directive Change requires agreement by the Owner and Architect/Engineer and may or may not be agreed to by the Contractor; an order for a minor change in the Work may be issued by the Architect/Engineer alone. Changes in the Work shall be performed under applicable provisions of the Contract Documents, and the Contractor shall proceed promptly, unless otherwise provided in the Change Order, Work Directive Change or order for a minor change in the Work.

5.2 Minor Changes in the Work. The Owner or Architect/Engineer shall have authority to order minor changes in the Work not involving adjustment in the Contract Sum or extension of the Contract Time and not inconsistent with the intent of the Contract Documents. Such change will be effected by written order signed by the Architect/Engineer and shall be

binding on the Owner and Contractor. The Contractor shall abide by and perform such minor changes. Such changes shall be effected by a Field Directive or a Work Directive Change. Documentation of changes shall be determined by the Construction Team, and displayed monthly in the Progress Reports. Because such changes shall not affect the Contract Sum to be paid to the Contractor, they shall not require a Change Order pursuant to Section 5.6.

5.3 Emergencies. In any emergency affecting the safety of persons or property, the Contractor shall act at its discretion to prevent threatened damage, injury, or loss. Any increase in the Contract Sum or extension of time claimed by the Contractor because of emergency Work shall be determined as provided in Section 5.6. However, whenever practicable, the Contractor shall obtain verbal concurrence of the Owner's Project Representative and Architect/Engineer where the act will or may affect the Contract Sum or Contract Time.

5.4 Concealed Conditions. If the Contractor encounters conditions at the site that are (1) subsurface or otherwise concealed physical conditions that differ materially from those indicated in the Contract Documents or (2) unknown physical conditions of an unusual nature, that differ materially from those ordinarily found to exist and generally recognized as inherent in construction activities of the character provided for in the Contract Documents, the Contractor shall promptly provide notice to the Owner and the Architect/Engineer before conditions are disturbed and in no event later than ten (10) days after first observance of the conditions. The Architect/Engineer will promptly investigate such conditions and, if the Architect/Engineer determines that they differ materially and cause an increase or decrease in the Contractor's cost of, or time required for, performance of any part of the Work, will recommend an equitable adjustment in the Contract Sum or Contract Time, or both. If the Architect/Engineer determines that the conditions at the site are not materially different from those indicated in the Contract Documents and that no change in the terms of the Contract is justified, the Architect/Engineer shall promptly notify the Owner and Contractor in writing, stating the reasons. If the Contractor disputes the Architect/Engineer's determination or recommendation, the Contractor may proceed as provided in Article VIII. If the Owner disputes the Architect/Engineer's determination or recommendation, the Owner may appeal directly to the Purchasing Official and shall thereafter follow the process set forth in Section 8.5.

5.5 Hazardous Materials. In the event the Contractor encounters on the Project Site material reasonably believed to be hazardous, petroleum or petroleum related products, or other hazardous or toxic substances, except as provided in Section 2.4.U, the Contractor shall immediately stop Work in the area affected and report the condition to the Owner and the Architect/Engineer in writing. The Work in the affected area shall not thereafter be resumed except by Change Order or written amendment, if in fact the material or substance has not been rendered harmless. The Work in the affected area shall be resumed when the Project Site has been rendered harmless, in accordance with the final determination by the Architect/Engineer or other appropriate professional employed by Owner. The Contractor shall not be required to perform without its consent any Work relating to hazardous materials, petroleum or petroleum related products, or other hazardous or toxic substances. In the event the Contractor encounters on the Project Site materials believed in good faith to be hazardous or contaminated material, and the presence of such hazardous or contaminated material was not known and planned for at the time the Contractor submitted its Bid (or Guaranteed Maximum Price proposal), and it is necessary for the Contractor to stop Work in the area affected and delays Work for more than a seven (7) day period, adjustments to the Contract Sum and/or Contract Time shall be made in accordance with this Article V.

5.6 Change Orders; Adjustments to Contract Sum.

A. Change Orders Generally. The increase or decrease in the Contract Sum resulting from a change authorized pursuant to the Contract Documents shall be determined:

- (1) By mutual acceptance of a lump sum amount properly itemized and supported by sufficient substantiating data, to permit evaluation by the Architect/Engineer and Owner; or
- (2) By unit prices stated in the Agreement or subsequently agreed upon; or
- (3) By any other method mutually agreeable to Owner and Contractor.

If Owner and Contractor are unable to agree upon increases or decreases in the Contract Sum and the Architect/Engineer certifies that the work needs to be commenced prior to any such agreement, the Contractor, provided it receives a written Change Order signed by or on behalf of the Owner, shall promptly proceed with the Work involved. The cost of such Work shall then be determined on the basis of the reasonable expenditures of those performing the Work attributed to the change. However, in the event a Change Order is issued under these conditions, the Owner, through the Architect/Engineer, will establish an estimated cost of the Work and the Contractor shall not perform any Work whose cost exceeds that estimated without prior written approval by the Owner. In such case, the Contractor shall keep and present in such form as the Owner may prescribe an itemized accounting, together with appropriate supporting data of the increase in overall costs of the Project. The amount of any decrease in the Contract Sum to be allowed by the Contractor to the Owner for any deletion or change which results in a net decrease in costs will be the amount of the actual net decrease.

5.7 Owner-Initiated Changes. Without invalidating the Agreement and without notice to any Surety, Owner may, at any time, order additions, deletions or revisions in the Work. These will be authorized by a written amendment, a Field Directive, a Change Order, or a Work Directive Change, as the case may be. Upon receipt of any such document, Contractor shall promptly proceed with the Work involved which will be performed under the applicable conditions of the Contract Documents (except as otherwise specifically provided). A Work Directive Change may not change the Contract Sum or the Contract Time; but is evidence that the parties expect that the change directed or documented by a Work Directive Change will be incorporated in a subsequently issued Change Order following negotiations by the parties as to its effect, if any, on the Contract Sum or Contract Time.

5.8 Unauthorized Work. Contractor shall not be entitled to an increase in the Contract Sum or an extension of the Contract Time with respect to any Work performed that is not required by the Contract Documents.

5.9 Defective Work. Owner and Contractor shall execute appropriate Change Orders (or written amendments) covering changes in the Work which are ordered by Owner, or which may be required because of acceptance of defective Work, without adjustment to the Contract Sum.

5.10 Estimates for Changes. At any time Architect/Engineer may request a quotation from Contractor for a proposed change in the Work. Within twenty-one (21) calendar days after receipt, Contractor shall submit a written and detailed proposal for an increase or decrease in the Contract Sum or Contract Time for the proposed change. Architect/Engineer shall have twenty-one (21) calendar days after receipt of the detailed proposal to respond in writing. The proposal shall include an itemized estimate of all costs and time for performance that will result directly or indirectly from the proposed change. Unless otherwise directed, itemized estimates shall be in sufficient detail to reasonably permit an analysis by Architect/Engineer of all material, labor, equipment, subcontracts, overhead costs and fees, and shall cover all Work involved in the change, whether such Work was deleted, added, changed or impacted. Notwithstanding the request for quotation, Contractor shall carry on the Work and maintain the progress schedule. Delays in the submittal of the written and detailed proposal will be considered non-prejudicial.

5.11 Form of Proposed Changes. The form of all submittals, notices, Change Orders and other documents permitted or required to be used or transmitted under the Contract Documents shall be determined by the Owner. Standard Owner forms shall be utilized.

5.12 Changes to Contract Time. The Contract Time may only be changed pursuant to a Change Order or a written amendment to the Contract Documents. Any claim for an extension or shortening of the Contract Time shall be based on written notice delivered by the party making the claim to the other party. Notice of the extent of the claim with supporting data shall be delivered within fifteen (15) days from detection or beginning of such occurrence and shall be accompanied by the claimant's written statement that the adjustment claimed is the entire adjustment to which the claimant has reason to believe it is entitled to because of the occurrence of said event. The Contract time will be extended in an amount equal to time lost due to delays beyond the control of Contractor. Such delays shall include, but not be limited to, acts or neglect by Owner or others performing additional Work; or to fires, floods, epidemics, abnormal weather conditions or acts of God. Failure to deliver a written notice of claim within the requisite 15-day period shall constitute a waiver of the right to pursue said claim.

ARTICLE VI ROLE OF ARCHITECT/ENGINEER

6.1 General.

A. Retaining. The Owner shall retain an Architect/Engineer (whether an individual or an entity) lawfully licensed to practice in Florida. That person or entity is identified as the Architect/Engineer in the Agreement and is referred to throughout the Contract Documents as if singular in number.

B. Duties. Duties, responsibilities and limitations of authority of the Architect/Engineer as set forth in the Contract Documents shall not be restricted, modified or extended without written consent of the Owner and Architect/Engineer. Consent shall not be unreasonably withheld.

C. Termination. If the employment of the Architect/Engineer is terminated, the Owner shall employ a successor Architect/Engineer as to whom the Contractor has no reasonable objection and whose status under the Contract Documents shall be that of the Architect/Engineer.

6.2 Administration. The Architect/Engineer will provide administration of the Agreement as described in the Contract Documents and will be an Owner's representative during construction until the date the Architect/Engineer approves the final Application for Payment. The Architect/Engineer will have authority to act on behalf of the Owner only to the extent provided in the Contract Documents.

A. Site Visits. The Architect/Engineer will visit the site at intervals appropriate to the stage of construction, or as otherwise agreed with the Owner, to become generally familiar with the progress and quality of the portion of the Work complete, and to determine in general if the Work observed is being performed in a manner indicating that the Work, when fully completed, will be in accordance with the Contract Documents. Unless specifically instructed by Owner, the Architect/Engineer will not be required to make exhaustive or continuous on-site inspections to check the quality or quantity of the Work. The Architect/Engineer will not have control over, charge of, or responsibility for, the construction means, methods, techniques, sequences or procedures, or for the safety precautions and programs in connection with the Work, since these are solely the Contractor's rights and responsibilities under the Contract Documents.

B. Reporting. Based on the site visits, the Architect/Engineer will keep the Owner reasonably informed about the progress and quality of the portion of the Work completed, and report to the Owner (1) known deviations from the Contract Documents and from the most recent construction schedule submitted by the Contractor, and (2) defects and deficiencies observed in the Work. The Architect/Engineer will not be responsible for the Contractor's failure to perform the Work in accordance with the requirements of the Contract Documents. The Architect/Engineer will not have control over or charge of and will not be responsible for acts or omissions of the Contractor, Subcontractors, or their agents or employees, or any other persons or entities performing portions of the Work.

6.3 Interpretation of Project Plans and Specifications. The Architect/Engineer will be the interpreter of the requirements of the Project Plans and Specifications. Upon receipt of comments or objections by Contractor or Owner, the Architect/Engineer will make decisions on all claims, disputes, or other matters pertaining to the interpretation of the Project Plans and Specifications.

6.4 Rejection of Non-Conforming Work. Upon consultation with Owner, the Architect/Engineer shall have the authority to reject Work which does not conform to the Project Plans and Specifications.

6.5 Correction of Work. The Contractor shall promptly correct all Work rejected by the Architect/Engineer for being defective or as failing to conform to the Project Plans and Specifications, whether observed before or after the Substantial Completion Date and whether or not fabricated, installed, or completed. The Contractor shall bear all costs of correcting such rejected Work, including compensation for Architect/Engineer's additional services made necessary thereby.

6.6 Timely Performance of Architect/Engineer. The Contractor shall identify which requests for information or response from the Architect/Engineer have the greatest urgency and those items which require prioritizing in response by the Architect/Engineer. The Contractor shall also identify the preferred time period for response and shall request a response time which is

reasonably and demonstrably related to the needs of the Project and Contractor. If Architect/Engineer claims that Contractor's expectations for a response are unreasonable, Owner shall require Architect/Engineer to communicate such claim to Contractor in writing together with the specific time necessary to respond and the date upon which such response will be made. If Contractor believes that Architect/Engineer is not providing timely services or responses, Contractor shall notify Owner of same in writing not less than two (2) weeks before Contractor believes performance or response time from Architect/Engineer is required without risk of delaying the Project.

ARTICLE VII OWNER'S RIGHTS AND RESPONSIBILITIES

7.1 Project Site; Title. The Owner shall provide the lands upon which the Work under the Contract Documents is to be done, except that the Contractor shall provide all necessary additional land required for the erection of temporary construction facilities and storage of his materials, together with right of access to same. The Owner hereby represents to the Contractor that it currently has and will maintain up through and including the Substantial Completion Date, good title to all of the real property constituting the Project Site. Owner agrees to resolve, at its expense, any disputes relating to the ownership and use of the Project Site which might arise during construction.

7.2 Project Plans and Specifications; Architect/Engineer. The parties hereto acknowledge and agree that Owner has previously entered into an agreement with Architect/Engineer. Pursuant to the terms of such agreement, the Architect/Engineer, as an agent and representative of Owner, is responsible for the preparation of Project Plans and Specifications which consist of drawings, specifications, and other documents setting forth in detail the requirements for the construction of the Project. All such Project Plans and Specifications shall be provided either by Owner or the Architect/Engineer, and Contractor shall be under no obligation to provide same and shall be entitled to rely upon the accuracy and completeness of the Project Plans and Specifications provided by the Architect/Engineer and all preliminary drawings prepared in connection therewith. The Contractor will be furnished a reproducible set of all drawings and specifications reasonably necessary for the performance of Contractor's services hereunder and otherwise ready for printing. The Contractor shall be notified of any written modification in the agreement between Owner and Architect/Engineer.

7.3 Surveys; Soil Tests and Other Project Site Information. Owner shall be responsible for providing a legal description and certified land survey of the Project Site in a form and content and with such specificity as may be required by the Architect/Engineer and Contractor to perform their services. To the extent deemed necessary by Owner and Architect/Engineer, and solely at Owner's expense, Owner may engage the services of a geotechnical consultant to perform test borings and other underground soils testing as may be deemed necessary by the Architect/Engineer or the Contractor. Contractor shall not be obligated to provide such surveys or soil tests and shall be entitled to rely upon the accuracy and completeness of the information provided; subject, however, to the provisions of Section 2.4.S hereof. Owner shall provide Contractor, as soon as reasonably possible following the execution of the Contract Documents, all surveys or other survey information in its possession describing the physical characteristics of the Project Site, together with soils reports, subsurface investigations, utility locations, deed restrictions, easements, and legal descriptions then in its possession or control. Upon receipt of all surveys, soils tests, and other Project Site information, Contractor shall promptly advise Owner of

any inadequacies in such information and of the need for any additional surveys, soils or subsoil tests. In performing this Work, Contractor shall use the standard of care of experienced contractors and will use its best efforts timely to identify all problems or omissions. Owner shall not be responsible for any delay or damages to the Contractor for any visible or disclosed site conditions or disclosed deficiencies in the Project Site which should have been identified by Contractor and corrected by Owner prior to the execution of the Contract Documents.

7.4 Information; Communication; Coordination. The Owner's Project Representative shall examine any documents or requests for information submitted by the Contractor and shall advise Contractor of Owner's decisions pertaining thereto within a reasonable period of time to avoid unreasonable delay in the progress of the Contractor's services. Contractor shall indicate if any such documents or requests warrant priority consideration. However, decisions pertaining to approval of the Project Schedule as it relates to the date of Substantial Completion, the Project Cost, Contractor's compensation, approving or changing the Contract Sum shall only be effective when approved by Owner in the form of a written Change Order or amendment to the Contract Documents. Owner reserves the right to designate a different Owner's Project Representative provided Contractor is notified in writing of any such change. Owner and Architect/Engineer may communicate with Subcontractors, materialmen, laborers, or suppliers engaged to perform services on the Project, but only for informational purposes. Neither the Owner nor the Architect/Engineer shall attempt to direct the Work of or otherwise interfere with any Subcontractor, materialman, laborer, or supplier, or otherwise interfere with the Work of the Contractor. Owner shall furnish the data required of Owner under the Contract Documents promptly.

7.5 Governmental Body. The Contractor recognizes that the Owner is a governmental body with certain procedural requirements to be satisfied. The Contractor has and will make reasonable allowance in its performance of services for such additional time as may be required for approvals and decisions by the Owner and any other necessary government agency.

7.6 Pre-Completion Acceptance. The Owner shall have the right to take possession of and use any completed portions of the Work, although the time for completing the entire Work or such portions may not have expired, but such taking possession and use shall not be deemed an acceptance of any Work not completed in accordance with the Contract Documents.

7.7 Ownership and Use of Drawings, Specifications and Other Instruments of Service.

- (1) The Architect/Engineer and the Architect/Engineer's consultants shall be deemed the authors and owners of their respective instruments of service, including the Project Plans and Specifications, and will retain all common law, statutory and other reserved rights, including copyrights. The Contractor, Subcontractors, Sub-subcontractors, and material or equipment suppliers shall not own or claim a copyright in the instruments of service. Submittal or distribution to meet official regulatory requirements or for other purposes in connection with this Project is not to be construed as publication in derogation of the Architect/Engineer's or Architect/Engineer's consultants' reserved rights.

- (2) The Contractor, Subcontractors, Sub-subcontractors and material or equipment suppliers are authorized to use and reproduce the drawings and specifications provided to them solely and exclusively for execution of the Work. All copies made under this authorization shall bear the copyright notice, if any, shown on the Project Plans and Specifications or other instruments of service. The Contractor, Subcontractors, Sub-subcontractors, and material or equipment suppliers may not use the drawings or specifications on other projects or for additions to this Project outside the scope of the Work without the specific written consent of the Owner, Architect/Engineer and the Architect/Engineer's consultants.

7.8 Owner's Project Representative. Owner's Project Representative is Owner's Agent, who will act as directed by and under the supervision of the Owner, and who will confer with Owner/Architect/Engineer regarding his actions. The Owner's Project Representative's dealings in matters pertaining to the on-site Work shall, in general, be only with the Owner/Architect/Engineer and Contractor and dealings with Subcontractors shall only be through or with the full knowledge of Contractor.

A. Responsibilities. Except as otherwise instructed in writing by Owner, the Owner's Project Representative will:

- (1) Attend preconstruction conferences; arrange a schedule of progress meetings and other job conferences as required in consultation with Owner/Architect/Engineer and notify those expected to attend in advance; and attend meetings and maintain and circulate copies of minutes thereof;
- (2) Serve as Owner/Architect/Engineer's liaison with Contractor, working principally through Contractor's superintendent, to assist in understanding the intent of the Contract Documents. As requested by Owner/Architect/Engineer, assist in obtaining additional details or information when required at the job site for proper execution of the Work;
- (3) Report to Owner/Architect/Engineer whenever he believes that any Work is unsatisfactory, faulty or defective or does not conform to the Contract Documents;
- (4) Accompany visiting inspectors representing public or other agencies having jurisdiction over the project; record the outcome of these inspections and report to Owner/Architect/Engineer;
- (5) Review applications for payment with Contractor for compliance with the established procedure for their submission and forward them with recommendations to Owner/Architect/Engineer; and
- (6) Perform those duties as set forth elsewhere within the Contract Documents.

B. Limitations. Except upon written instructions of Owner, Owner's Project Representative shall not:

- (1) Authorize any deviation from the Contract Documents or approve any substitute materials or equipment;
- (2) Exceed limitations on Owner/Architect/Engineer's authority as set forth in the Contract Documents;
- (3) Undertake any of the responsibilities of Contractor, Subcontractors or Contractor's superintendent, or expedite the Work;
- (4) Advise on or issue directions relative to any aspect of the means, methods, techniques, sequences or procedures of construction unless such is specifically called for in the Contract Documents;
- (5) Advise on or issue directions as to safety precautions and programs in connection with the Work;
- (6) Authorize Owner to occupy the project in whole or in part; or
- (7) Participate in specialized field or laboratory tests.

**ARTICLE VIII
RESOLUTION OF DISAGREEMENTS;
CLAIMS FOR COMPENSATION**

8.1 Owner to Decide Disputes. The Owner shall reasonably decide all questions and disputes (with the exception of matters pertaining to the interpretation of the Project Plans and Specifications which shall be resolved by the Architect/Engineer pursuant to Section 6.3) that may arise in the execution and fulfillment of the services provided for under the Contract Documents, in accordance with the Procurement Ordinance.

8.2 Finality. The decision of the Owner upon all claims, questions, disputes and conflicts shall be final and conclusive, and shall be binding upon all parties to the Contract Documents, subject to judicial review as provided in Section 8.5 below.

8.3 No Damages for Delay. If at any time Contractor is delayed in the performance of Contractor's responsibilities under the Contract Documents as the result of a default or failure to perform in a timely manner by Owner or Owner's agents or employees, Contractor shall not be entitled to any damages except for compensation specifically authorized in Article III. Contractor's sole remedy will be a right to extend the time for performance. Nothing herein shall preclude Contractor from any available remedy against any responsible party other than Owner. Contractor shall be responsible for liquidated damages for delay if otherwise provided for in the Contract Documents.

8.4 Permitted Claims Procedure. Where authorized or permitted under the Contract Documents, all claims for additional compensation by Contractor, extensions of time affecting the Substantial Completion Date, for payment by the Owner of costs, damages or losses due to casualty, Force Majeure, Project Site conditions or otherwise, shall be governed by the following:

- (1) All claims must be submitted as a request for Change Order in the manner as provided in Article V.
- (2) The Contractor must submit a notice of claim to Owner's Project Representative and to the Architect/Engineer within fifteen (15) days of the beginning of such occurrence. Failure to submit a claim within the requisite 15-day period shall constitute a waiver of the right to pursue said claim.
- (3) Within twenty (20) days of submitting its notice of claim, the Contractor shall submit to the Owner's Project Representative its request for Change Order, which shall include a written statement of all details of the claim, including a description of the Work affected.
- (4) After receipt of a request for Change Order, the Owner's Project Representative, in consultation with the Architect/Engineer, shall deliver to the Contractor, within twenty (20) days after receipt of request, its written response to the claim.
- (5) In the event the Owner and Contractor are unable to agree on the terms of a Change Order, the Owner shall have the option to instruct the Contractor to proceed with the Work. In that event, the Owner shall pay for those parts of the Work, the scope and price of which are not in dispute. The balance of the disputed items in the order to proceed will be resolved after completion of the Work, based upon completed actual cost.
- (6) The rendering of a decision by Owner with respect to any such claim, dispute or other matter (except any which have been waived by the making or acceptance of final payment) will be a condition precedent to any exercise by Owner or Contractor of such right or remedies as either may otherwise have under the Contract Documents or by laws or regulations in respect of any such claim, dispute or other matter.

8.5 Contract Claims and Disputes. After completion of the process set forth in Section 8.4 above, any unresolved dispute under this Agreement shall be decided by the Purchasing Official in accordance with Section 2-26-63 of the Manatee County Code of Laws, subject to an administrative hearing process as provided in Section 2-26-64. The decision of the hearing officer in accordance with Section 2-26-64 of the Manatee County Code of Laws shall be the final and conclusive decision subject to exclusive judicial review in circuit court by a petition for certiorari.

8.6 Claims for Consequential Damages. The Contractor and Owner waive claims against each other for consequential damages arising out of or relating to this Agreement. This mutual waiver includes:

- (1) damages incurred by the Owner for rental expenses, for losses of use, income, profit, financing, business and reputation, and for loss of management or employee productivity or of the services of such persons, unless any of such damages or losses are covered by insurance placed by the Contractor; and

- (2) damages incurred by the Contractor for principal office expenses including the compensation of personnel stationed there, for losses of financing, business and reputation, and for loss of profit except anticipated profit arising directly from the Work.

This mutual waiver is applicable, without limitation, to all consequential damages due to either party's termination in accordance with Article XIV. Nothing contained in this Section 8.6 shall be deemed to preclude assessment of liquidated direct damages, when applicable, in accordance with the requirements of the Contract Documents.

ARTICLE IX INDEMNITY

9.1 Indemnity.

A. Indemnification Generally. To the fullest extent permitted by law, the Contractor shall indemnify and hold harmless the Owner, Architect/Engineer, Architect/Engineer's consultants, and agents and employees of any of them from and against claims, damages, losses and expenses, including but not limited to attorney's fees, arising out of or resulting from performance of the Work, provided that such claim, damage, loss or expense is attributable to bodily injury, sickness, disease or death, or to injury to or destruction of tangible property, but only to the extent caused by the negligent acts or omissions of the Contractor, a Subcontractor or anyone directly or indirectly employed by them or anyone for whose acts they may be liable, regardless of whether such claim, damage, loss or expense is caused in part by a party indemnified hereunder. Such obligation shall not be construed to negate, abridge, or reduce other rights or obligations of indemnity which would otherwise exist as to a party or person described in this Section 9.1.

B. Indemnification; Enforcement Actions. The Contractor's duty to indemnify and hold harmless the Owner in Section 9.1 above shall extend to fines, penalties and costs incurred by the Owner as related to any enforcement action taken by local, state, regional or federal regulatory entities. The Owner may deduct any of such fines, penalties and costs as described in this Section from any unpaid amounts then or thereafter due the Contractor under the Contract Documents. Any of such fines, penalties and costs not so deducted from any unpaid amounts due the Contractor shall be payable to the Owner at the demand of the Owner, together with interest from the date of the demand at the maximum allowable rate.

C. Claims by Employees. In claims against any person or entity indemnified under this Section 9.1 by an employee of the Contractor, a Subcontractor, anyone directly or indirectly employed by them or anyone for whose acts they may be liable, the indemnification obligation under Section 9.1.A. shall not be limited by a limitation on amount or type of damages, compensation or benefits payable by or for the Contractor or a Subcontractor under workers' compensation acts, disability benefit acts or other employee benefit acts.

9.2 Duty to Defend. The Contractor shall defend the Owner in any action, lawsuit, mediation or arbitration arising from the alleged negligence, recklessness or intentionally wrongful conduct of the Contractor and other persons employed or utilized by the Contractor in

the performance of the Work. Notwithstanding any other provisions within this Article IX, so long as Contractor, through its own counsel, performs its obligation to defend the Owner pursuant to this Section, Contractor shall not be required to pay the Owner's costs associated with the Owner's participation in the defense.

ARTICLE X ACCOUNTING RECORDS; OWNERSHIP OF DOCUMENTS

10.1 Accounting Records. Records of expenses pertaining to all services performed shall be kept in accordance with generally accepted accounting principles and procedures.

10.2 Inspection and Audit. The Contractor's records shall be open to inspection and subject to examination, audit, and/or reproduction during normal working hours by the Owner's agent or authorized representative to the extent necessary to adequately permit evaluation and verification of any invoices, payments or claims submitted by the Contractor or any of its payees during the performance of the Work. These records shall include, but not be limited to, accounting records, written policies and procedures, Subcontractor files (including proposals of successful and unsuccessful bidders), original estimates, estimating worksheets, correspondence, Change Order files (including documentation covering negotiated settlements), and any other supporting evidence necessary to substantiate charges related to the Contract Documents. They shall also include, but not be limited to, those records necessary to evaluate and verify direct and indirect costs (including overhead allocations) as they may apply to costs associated with the Contract Documents. For such audits, inspections, examinations and evaluations, the Owner's agent or authorized representative shall have access to said records from the effective date of the Contract Documents, for the duration of Work, and until three (3) years after the date of final payment by the Owner to the Contractor pursuant to the Contract Documents.

10.3 Access. The Owner's agent or authorized representative shall have access to the Contractor's facilities and all necessary records to conduct audits in compliance with this Article. The Owner's agent or authorized representative shall give the Contractor reasonable advance notice of intended inspections, examinations, and/or audits.

10.4 Ownership of Documents. Upon obtainment of Substantial Completion or termination of the Agreement, all records, documents, tracings, plans, specifications, maps, evaluations, reports, transcripts and other technical data, other than working papers, prepared or developed by the Contractor shall be delivered to and become the property of the Owner. The Contractor at its own expense may retain copies for its files and internal use.

ARTICLE XI PUBLIC CONTRACT LAWS

11.1 Equal Opportunity Employment.

A. Employment. The Contractor shall not discriminate against any employee or applicant for employment because of race, creed, sex, color, national origin, disability or age, and will take affirmative action to ensure that all employees and applicants are afforded equal employment opportunities without discrimination because of race, creed, sex, color, national

origin, disability or age. Such action will be taken with reference to, but shall not be limited to, recruitment, employment, job assignment, promotion, upgrading, demotion, transfer, layoff or termination, rates of training or retraining, including apprenticeship and on-the-job training.

B. Participation. No person shall, on the grounds of race, creed, sex, color, national origin, disability or age, be excluded from participation in, be denied the proceeds of, or be subject to discrimination in the performance of the Agreement.

11.2 Immigration Reform and Control Act of 1986. Contractor acknowledges that it is responsible for complying with the provisions of the Immigration Reform and Control Act of 1986, located at 8 U.S.C. Section 1324, et seq., and regulations relating thereto. Failure to comply with the above statutory provisions shall be considered a material breach and shall be grounds for immediate termination of this Agreement.

11.3 No Conflict of Interest. The Contractor warrants that it has not employed or retained any company or person, other than a bona fide employee working solely for the Contractor to solicit or secure this Agreement, and that it has not paid or agreed to pay any person, company, corporation, individual, or firm other than a bona fide employee working solely for the Contractor, any fee, commission, percentage, gift or any other consideration, contingent upon or resulting from the award or making of this Agreement.

A. No Interest in Business Activity. By accepting award of this Agreement, the Contractor, which shall include its directors, officers and employees, represents that it presently has no interest in and shall acquire no interest in any business or activity which would conflict in any manner with the performance of services required hereunder, including without limitation as described in the Contractor's own professional ethical requirements. An interest in a business or activity which shall be deemed a conflict includes but is not limited to direct financial interest in any of the material and equipment manufacturers, suppliers, distributors, or contractors who will be eligible to supply material and equipment for the Project for which the Contractor is furnishing its services required hereunder.

B. No Appearance of Conflict. The Contractor shall not knowingly engage in any contractual or professional obligations that create an appearance of a conflict of interest with respect to the services provided pursuant to the Agreement. The Contractor has provided the Affidavit of No Conflict, incorporated into the Contract Documents as Exhibit "C", as a material inducement for Owner entering the Agreement. If, in the sole discretion of the County Administrator or designee, a conflict of interest is deemed to exist or arise during the term of this Agreement, the County Administrator or designee may cancel this Agreement, effective upon the date so stated in a written notice of cancellation, without penalty to the Owner.

11.4 Truth in Negotiations. By execution of the Contract Documents, the Contractor certifies to truth-in-negotiations and that wage rates and other factual unit costs supporting the compensation are accurate, complete and current at the time of contracting. Further, the original Contract Sum and any additions thereto shall be adjusted to exclude any significant sums where the Owner determines the Contract Sum was increased due to inaccurate, incomplete or non-current wage rates and other factual unit costs. Such adjustments must be made within one (1) year after final payment to the Contractor.

11.5 Public Entity Crimes. The Contractor is directed to the Florida Public Entity Crimes Act, Section 287.133, Florida Statutes, specifically section 2(a), and the Owner's requirement that the Contractor comply with it in all respects prior to and during the term of the Agreement.

ARTICLE XII FORCE MAJEURE, FIRE OR OTHER CASUALTY

12.1 Force Majeure.

A. Unavoidable Delays. Delays in any performance by any party contemplated or required hereunder due to fire, flood, sinkhole, earthquake or hurricane, acts of God, unavailability of materials, equipment or fuel, war, declaration of hostilities, revolt, civil strife, altercation or commotion, strike, labor dispute, or epidemic, archaeological excavation, lack of or failure of transportation facilities, or any law, order, proclamation, regulation, or ordinance of any government or any subdivision thereof, or for any other similar cause to those enumerated, beyond the reasonable control and which with due diligence could not have been reasonably anticipated, shall be deemed to be events of Force Majeure and any such delays shall be excused. In the event such party is delayed in the performance of any Work or obligation pursuant to the Contract Documents for any of the events of Force Majeure stated in this Section 12.1, the date for performance required or contemplated by the Contract Documents shall be extended by the number of calendar days such party is actually delayed.

B. Concurrent Contractor Delays. If a delay is caused for any reason provided in Section 12.1.A. and during the same time period a delay is caused by Contractor, the date for performance shall be extended as provided in 12.1.A. but only to the extent the time is or was concurrent.

C. Notice; Mitigation. The party seeking excuse for nonperformance based on Force Majeure shall give written notice to the Owner, if with respect to the Contractor, or to the Contractor if with respect to the Owner, specifying its actual or anticipated duration. Each party seeking excuse from nonperformance based on Force Majeure shall use its best efforts to rectify any condition causing a delay and will cooperate with the other party, except that neither party shall be obligated to incur any unreasonable additional costs and expenses to overcome any loss of time that has resulted.

12.2 Casualty; Actions by Owner and Contractor. During the construction period, if the Project or any part thereof shall have been damaged or destroyed, in whole or in part, the Contractor shall promptly make proof of loss; and Owner and Contractor shall proceed promptly to collect, or cause to be collected, all valid claims which may have arisen against insurers or others based upon such damage or destruction. The Contractor shall diligently assess the damages or destruction and shall prepare an estimate of the cost, expenses, and other charges, including normal and ordinary compensation to the Contractor, necessary for reconstruction of the Project substantially in accordance with the Project Plans and Specifications. Within fifteen (15) days following satisfaction of the express conditions described in subsections (1), (2) and (3) below, the Contractor covenants and agrees diligently to commence reconstruction and to complete the reconstruction or repair of any loss or damage by fire or other casualty to the Project to substantially the same size, floor area, cubic content, and general appearance as prior to such loss or damage:

- (1) Receipt by the Owner or the trustee of the proceeds derived from collection of all valid claims against insurers or others based upon such damage or destruction, and receipt of other sums from any source such that the funds necessary to pay the Project Cost and any additions to the Project Cost necessitated for repair or reconstruction are available;
- (2) Written agreement executed by the Contractor and the Owner, by amendment to the Contract Documents or otherwise, authorizing and approving the repair or reconstruction and any additions to the Project Cost necessitated thereby, including any required adjustment to the Contract Sum; and
- (3) Final approval by the Owner of the Project Plans and Specifications for such repair or reconstruction and issuance of any required building permit.

12.3 Approval of Plans and Specifications. The Owner agrees to approve the plans and specifications for such reconstruction or repair if the reconstruction or repair contemplated by such plans and specifications is economically feasible, and will restore the Project, or the damaged portion thereof, to substantially the same condition as prior to such loss or damage, and such plans and specifications conform to the applicable laws, ordinances, codes, and regulations. The Owner agrees that all proceeds of any applicable insurance or other proceeds received by the Owner or the Contractor as a result of such loss or damage shall be used for payment of the costs, expenses, and other charges of the reconstruction or repair of the Project.

12.4 Notice of Loss or Damage. The Contractor shall promptly give the Owner written notice of any significant damage or destruction to the Project, defined as loss or damage which it is contemplated by Contractor will increase the Contract Sum or extend the Substantial Completion Date, stating the date on which such damage or destruction occurred, the then expectations of Contractor as to the effect of such damage or destruction on the use of the Project, and the then proposed schedule, if any, for repair or reconstruction of the Project. Loss or damage which the Contractor determines will not affect the Contract Sum or Substantial Completion Date will be reported to Owner and Architect/Engineer immediately, and associated corrective actions will be undertaken without delay.

ARTICLE XIII REPRESENTATIONS, WARRANTIES AND COVENANTS

13.1 Representations and Warranties of Contractor. The Contractor represents and warrants to the Owner each of the following.

A. The Contractor is organized under the laws of the State of Georgia, authorized to transact business in the State of Florida. Contractor has all requisite power and authority to carry on its business as now conducted, to own or hold its properties, and to enter into and perform its obligations hereunder and under each instrument to which it is or will be a party and is in good standing in the State of Florida.

B. Each Contract Document to which the Contractor is or will be a party constitutes, or when entered into will constitute, a legal, valid, and binding obligation of the

Contractor enforceable against the Contractor in accordance with the terms thereof, except as such enforceability may be limited by applicable bankruptcy, insolvency, or similar laws from time to time in effect which affect creditors' rights generally and subject to usual equitable principles in the event that equitable remedies are involved.

C. There are no pending or, to the knowledge of the Contractor, threatened actions or proceedings before any court or administrative agency, within or without the State of Florida, against the Contractor or any partner, officer, or agent of the Contractor which question the validity of any document contemplated hereunder, or which are likely in any case, or in the aggregate, to materially adversely affect the consummation of the transactions contemplated hereunder, or materially adversely affect the financial condition of the Contractor.

D. The Contractor has filed or caused to be filed all federal, state, local, or foreign tax returns, if any, which were required to be filed by the Contractor, and has paid, or caused to be paid, all taxes shown to be due and payable on such returns or on any assessments levied against the Contractor.

E. Neither Contractor nor any agent or person employed or retained by Contractor has acted fraudulently or in bad faith or in violation of any statute or law in the procurement of this Agreement.

F. The Contractor shall timely fulfill or cause to be fulfilled all of the terms and conditions expressed herein which are within the control of the Contractor or which are the responsibility of the Contractor to fulfill. The Contractor shall be solely responsible for the means and methods of construction.

G. It is recognized that neither the Architect/Engineer, the Contractor, nor the Owner has control over the cost of labor, materials, or equipment, over a Subcontractor's methods of determining bid prices, or over competitive bidding, market, or negotiating conditions.

H. During the term of the Contract Documents, and the period of time that the obligations of the Contractor under the Contract Documents shall be in effect, the Contractor shall cause to occur and to continue to be in effect those instruments, documents, certificates, and events contemplated by the Contract Documents that are applicable to, and the responsibility of, the Contractor.

I. The Contractor shall assist and cooperate with the Owner and shall accomplish the construction of the Project in accordance with the Contract Documents and the Project Plans and Specifications, and will not knowingly violate any laws, ordinances, rules, regulations, or orders that are or will be applicable thereto.

J. Contractor warrants and guarantees to Owner that all Work will be in accordance with the Contract Documents and will not be defective, and that Owner, representatives of Owner, and governmental agencies with jurisdictional interests will have access to the Work at reasonable times for their observation, inspecting and testing. Contractor shall give Architect/Engineer timely notice of readiness of the Work for all required approvals and shall assume full responsibility, including costs, in obtaining required tests, inspections, and approval certifications and/or acceptance, unless otherwise stated by Owner.

K. If any Work (including Work of others) that is to be inspected, tested, or approved is covered without written concurrence of Architect/Engineer, it must, if requested by Architect/Engineer, be uncovered for observation. Such uncovering shall be at Contractor's expense unless Contractor has given Architect/Engineer timely notice of Contractor's intention to cover the same and Architect/Engineer has not acted with reasonable promptness in response to such notice. Neither observations by Architect/Engineer nor inspections, tests, or approvals by others shall relieve Contractor from Contractor's obligations to perform the Work in accordance with the Contract Documents.

L. If the Work is defective, or Contractor fails to supply sufficient skilled workers, or suitable materials or equipment, or fails to furnish or perform the Work in such a way that the completed Work will conform to the Contract Documents, Owner may order Contractor to stop the Work, or any portion thereof and terminate payments to the Contractor until the cause for such order has been eliminated. Contractor shall bear all direct, indirect and consequential costs for satisfactory reconstruction or removal and replacement with non-defective Work, including, but not limited to fees and charges of Architect/Engineers, attorneys and other professionals and any additional expenses experienced by Owner due to delays to other Contractors performing additional Work and an appropriate deductive change order shall be issued. Contractor shall further bear the responsibility for maintaining the schedule and shall not be entitled to an extension of the Contract Time or the recovery of delay damages due to correcting or removing defective Work.

M. If Contractor fails within seven (7) days after written notice to correct defective Work, or fails to perform the Work in accordance with the Contract Documents, or fails to comply with any other provision of the Contract Documents, Owner may correct and remedy any such deficiency to the extent necessary to complete corrective and remedial action. Owner may temporarily exclude Contractor from all or part of the site, temporarily take possession of all or part of the Work, Contractor's tools, construction equipment and machinery at the site or for which Owner has paid Contractor but which are stored elsewhere, all for such duration as is reasonably necessary to correct the deficiency. All direct and indirect costs of Owner in exercising such rights and remedies will be charged against Contractor in an amount approved as to reasonableness by Architect/Engineer and a Change Order will be issued incorporating the necessary revisions.

N. If within three (3) years after the Substantial Completion Date or such longer period of time as may be prescribed by laws or regulations or by the terms of any applicable special guarantee required by the Contract Documents, any Work is found to be defective, Contractor shall promptly, without cost to Owner and in accordance with Owner's written instructions, either correct such defective Work or if it has been rejected by Owner, remove it from the site and replace it with non-defective Work. If Contractor does not promptly comply with the terms of such instruction, Owner may have the defective Work corrected/removed and all direct, indirect and consequential costs of such removal and replacement will be paid by Contractor. Failing payment by the Contractor and notwithstanding any other provisions of the Contract Documents to the contrary, Owner shall have the right to bring a direct action in the Circuit Court to recover such costs.

13.2 Representations of the Owner. To the extent permitted by law, the Owner represents to the Contractor that each of the following statements is presently true and accurate:

- A. The Owner is a validly existing political subdivision of the State of Florida.
- B. The Owner has all requisite corporate or governmental power and authority to carry on its business as now conducted and to perform its obligations under the Contract Documents and each Contract Document contemplated hereunder to which it is or will be a party.
- C. The Contract Documents and each Contract Document contemplated hereby to which the Owner is or will be a party has been duly authorized by all necessary action on the part of, and has been or will be duly executed and delivered by, the Owner, and neither the execution and delivery thereof nor compliance with the terms and provisions thereof or hereof: (a) requires the approval and consent of any other person or party, except such as have been duly obtained or as are specifically noted herein; (b) contravenes any existing law, judgment, governmental rule, regulation or order applicable to or binding on the Owner; or (c) contravenes or results in any breach of, default under, or result in the creation of any lien or encumbrance upon the Owner under any indenture, mortgage, deed of trust, bank loan, or credit agreement, the charter, ordinances, resolutions, or any other agreement or instrument to which the Owner is a party, specifically including any covenants of any bonds, notes, or other forms of indebtedness of the Owner outstanding on the date of the Contract Documents.
- D. The Contract Documents and each document contemplated hereby to which the Owner is or will be a party constitutes, or when entered into will constitute, a legal, valid, and binding obligation of the Owner enforceable against the Owner in accordance with the terms thereof, except as such enforceability may be limited by applicable bankruptcy, insolvency, or similar laws from time to time in effect which affect creditors' rights generally, and subject to usual equitable principles in the event that equitable remedies are involved.
- E. There are no pending or, to the knowledge of the Owner, threatened actions or proceedings before any court or administrative agency against the Owner which question the validity of the Contract Documents or any document contemplated hereunder, or which are likely in any case or in the aggregate to materially adversely affect the consummation of the transactions contemplated hereunder or the financial or corporate condition of the Owner.
- F. The Owner shall use due diligence to timely fulfill or cause to be fulfilled all of the conditions expressed in the Contract Documents which are within the control of the Owner or which are the responsibility of the Owner to fulfill.
- G. During the pendency of the Work and while the obligations of the Owner under the Contract Documents shall be in effect, the Owner shall cause to occur and to continue to be in effect and take such action as may be necessary to enforce those instruments, documents, certificates and events contemplated by the Contract Documents that are applicable to and the responsibility of the Owner.
- H. The Owner shall assist and cooperate with the Contractor in accomplishing the construction of the Project in accordance with the Contract Documents and the Project Plans and Specifications, and will not knowingly violate any laws, ordinances, rules, regulations, orders, contracts, or agreements that are or will be applicable thereto or, to the extent permitted by law, enact or adopt any resolution, rule, regulation, or order, or approve or enter into any contract or agreement, including issuing any bonds, notes, or other forms of indebtedness, that will result in the Contract Documents or any part thereof, or any other instrument contemplated

by and material to the timely and effective performance of a party's obligations hereunder, to be in violation thereof.

ARTICLE XIV TERMINATION AND SUSPENSION

14.1 Termination for Cause by Owner. This Agreement may be terminated by Owner upon written notice to the Contractor should Contractor fail substantially to perform a material obligation in accordance with the terms of the Contract Documents through no fault of the Owner. In the event Owner terminates for cause and it is later determined by a court of competent jurisdiction that such termination for cause was not justified, then in such event such termination for cause shall automatically be converted to a termination without cause pursuant to Section 14.2.

A. Nonperformance. If the Contractor fails to timely perform any of its obligations under the Contract Documents, including any obligation the Contractor assumes to perform Work with its own forces, or if it persistently or repeatedly refuses or fails, except in case for which extension of time is provided, to supply enough properly skilled workmen or proper materials, or fails, without being excused, to maintain an established schedule (failure to maintain schedule shall be defined as any activity that falls thirty (30) days or more behind schedule) which has been adopted by the Construction Team, or it fails to make prompt payment to Subcontractors for materials or labor, or disregards laws, rules, ordinances, regulations, or orders of any public authority having jurisdiction, or otherwise is guilty of substantial violations of the Agreement the Owner may, after seven (7) days written notice, during which period the Contractor fails to perform such obligation, make good such deficiencies and perform such actions. The Contract Sum shall be reduced by the cost to the Owner of making good such deficiencies, and the Contractor's compensation shall be reduced by an amount required to manage the making good of such deficiencies. Provided, however, nothing contained herein shall limit or preclude Owner from pursuing additional damages from Contractor because of its breach.

B. Insolvency. If the Contractor is adjudged bankrupt, or if it makes a general assignment for the benefit of its creditors, or if a receiver is appointed because its insolvency, then the Owner may, without prejudice to any other right or remedy, and after giving the Contractor and its surety, if any, fourteen (14) days written notice, and during which period the Contractor fails to cure the violation, terminate the Agreement. In such case, the Contractor shall not be entitled to receive any further payment. Owner shall be entitled to recover all costs and damages arising because of failure of Contractor to perform as provided in the Contract Documents, as well as reasonable termination expenses, and costs and damages incurred by the Owner may be deducted from any payments left owing the Contractor.

C. Illegality. Owner may terminate the Agreement if Contractor disregards laws or regulations of any public body having jurisdiction.

D. Rights of Owner. The Owner may, after giving Contractor (and the surety, if there is one) seven (7) days written notice, terminate the services of Contractor for cause; exclude Contractor from the Project Site and take possession of the Work and of all Contractor's tools, construction equipment and machinery at the Project Site and use the same to the full extent they could be used (without liability to Contractor for trespass or conversion); incorporate in the Work all materials and equipment stored at the Project Site or for which Owner has paid Contractor

but which are stored elsewhere, and finish the Work as Owner may deem expedient. In such case, Contractor shall not be entitled to receive any further payment beyond an amount equal to the value of material and equipment not incorporated in the Work, but delivered and suitably stored, less the aggregate of payments previously made. If the direct and indirect costs of completing the Work exceed the unpaid balance of the Contract Sum, Contractor shall pay the difference to Owner. Such costs incurred by Owner shall be verified by Owner in writing; but in finishing the Work, Owner shall not be required to obtain the lowest quote for the Work performed. Contractor's obligations to pay the difference between such costs and such unpaid balance shall survive termination of the Agreement. In such event and notwithstanding any other provisions of the Contract Documents to the contrary, Owner shall be entitled to bring a direct action in the Circuit Court to recover such costs.

14.2 Termination without Cause by Owner. The Owner, through its County Administrator or designee, shall have the right to terminate the Agreement, in whole or in part, without cause upon sixty (60) calendar days' written notice to the Contractor. In the event of such termination for convenience, the Owner shall compensate Contractor for payments due through the date of termination, and one subsequent payment to cover costs of Work performed through the date of termination, subject to the terms and conditions of Section 3.1. The Contractor shall not be entitled to any other further recovery against the Owner, including, but not limited to, anticipated fees or profit on Work not required to be performed, or consequential damages or costs resulting from such termination.

A. Release of Contractor. As a condition of Owner's termination rights provided for in this subsection, Contractor shall be released and discharged from all obligations arising by, through, or under the terms of the Contract Documents, and the Payment and Performance Bond shall be released. Owner shall assume and become responsible for the reasonable value of Work performed by Subcontractors prior to termination plus reasonable direct close-out costs, but in no event shall Subcontractors be entitled to unabsorbed overhead, anticipatory profits, or damages for early termination.

B. Waiver of Protest. Contractor hereby waives any right to protest the exercise by Owner of its rights under this Section that may apply under the Procurement Ordinance.

14.3 Suspension without Cause. Owner may, at any time and without cause, suspend the Work or any portion thereof for a period of not more than ninety (90) days by written notice to Contractor, which will fix the date on which Work will be resumed. Contractor shall be allowed an increase in the Contract Sum or an extension of the Contract Time, or both, directly attributable to any suspension if Contractor makes an approved claim therefor.

14.4 Termination Based Upon Abandonment, Casualty or Force Majeure. If, after the construction commencement date (i) Contractor abandons the Project (which for purposes of this paragraph shall mean the cessation of all construction and other activities relating to the Project, excluding those which are necessary to wind down or otherwise terminate all outstanding obligations with respect to the Project, and no recommencement of same within one hundred twenty (120) days following the date of cessation), or (ii) the Project is stopped for a period of thirty (30) consecutive days due to an instance of Force Majeure or the result of a casualty resulting in a loss that cannot be corrected or restored within one hundred twenty (120) days (excluding the time required to assess the damage and complete the steps contemplated under Section 12.2), the

Owner shall have the right to terminate the Agreement and pay the Contractor its compensation earned or accrued to date.

14.5 Vacation of Project Site; Delivery of Documents. Upon termination by Owner pursuant to Section 14.2 or 14.4, Contractor shall withdraw its employees and its equipment, if any, from the Project Site on the effective date of the termination as specified in the notice of termination (which effective date shall not be less than two (2) working days after the date of delivery of the notice), regardless of any claim the Contractor may or may not have against the Owner. Upon termination, the Contractor shall deliver to the Owner all original papers, records, documents, drawings, models and other material set forth and described in the Contract Documents.

14.6 Termination by the Contractor. If, through no act or fault of Contractor, the Work is suspended for a period of more than ninety (90) consecutive days by Owner or under an order of court or other public authority, or Owner fails to act on any Application for Payment or fails to pay Contractor any sum finally determined to be due; then Contractor may, upon fourteen (14) days written notice to Owner terminate the Agreement and recover from Owner payment for all Work executed, any expense sustained plus reasonable termination expenses. In lieu of terminating the Agreement, if Owner has failed to act on any Application for Payment or Owner has failed to make any payment as aforesaid, Contractor may upon fourteen (14) days written notice to Owner stop the Work until payment of all amounts then due.

(Remainder of this page intentionally left blank)

Exhibit A
Title(s) of Drawings

SAMPLE

Exhibit B
Title(s) of Specifications

SAMPLE

Exhibit C
Affidavit of No Conflict

SAMPLE

Exhibit D
Contractor's Certificate(s) of Insurance

SAMPLE

Exhibit E
Contractor's Payment and Performance Bond

SAMPLE

Exhibit F
Standard Forms

SAMPLE

APPLICATION FOR PAYMENT

Request No.: _____ Project No.: _____
 Purchase Order No.: _____
 County Bid No.: _____
 Consultant: _____

Project: _____
 From: _____ To: _____

CONTRACT PAYMENT SUMMARY

Original Contract Amount:				\$	-
Change Order(s):				\$	-
Change order summary:					
Number	Date Approved	Additive	Deductive		
SUBTOTALS:		\$	-	\$	-
Net change order subtotal (Additive less Deductive):				\$	-
Current Contract Amount (CCA): (Original Amount + Change Order(s))				\$	-
		Previous Status	Total WIP		
Value of the Work in Place (WIP)	\$	-	\$	-	
Value of Stored Materials	\$	-	\$	-	
Total Earned (\$ and % of CCA)	\$	-	\$	-	
Retainage (\$ and % of CCA)	\$	-	\$	-	
Net Earned (Total earned minus retainage)				\$	-
TOTAL PREVIOUS PAYMENTS				\$	-
AMOUNT DUE THIS PAYMENT (Net Earned minus Previous Payments)				\$	-

CONTRACTOR'S AFFIDAVIT OF NOTICE

CERTIFICATE: The undersigned CONTRACTOR certifies that all items and amounts shown on this Application for Payment are on account of work performed, materials supplied and/or materials stored on site and paid for by Contractor in accordance with the Contract Documents with due consideration for previous Payment(s), if any, received by the Contractor from the County, and that the Amount Due this Payment shown is now due.

NOTARY:

CONTRACTOR:

State of Florida, County of _____

 Name of person authorized to sign Affidavit of Notice

Sworn to (or affirmed) and subscribed before me this _____ day of _____ by _____

 TITLE

 (Name of person giving notice)

Contractor name, address and telephone no.:

 (Signature of Notary Public - State of Florida)
 Print, Type or Stamp Commissioned Name of Notary Public:

Personally Known _____ or Produced Identification _____
 Type of Identification Produced: _____

VERIFICATION, RECOMMENDATION, CONCURRENCES AND APPROVALS

(Signatures)

(Date)

Quantities verified by: _____

Consultant/Engineer: _____

Project Management: _____

Department Head: _____

Payment approved by the Board of County Commissioners: _____

Attested to by the Clerk of Circuit Court: _____

**FINAL RECONCILIATION, WARRANTY PERIOD DECLARATION
AND CONTRACTOR'S AFFIDAVIT**

Project Title:	Date Submitted:
Contractor Data: Name: Address: City/State/Zip:	Project No:
	Warranty (months):

This Final Reconciliation is for the work performed for Manatee County by the above named contractor, hereinafter called CONTRACTOR, pursuant to the contract dated _____ as amended, and acts as an addendum thereto.

It is agreed that all quantities and prices in the attached Final Pay Estimate No. _____ are correct and that the amount of \$ _____ including retainage is due to the CONTRACTOR, that no claims are outstanding as between the parties, and that the above stated sum represents the entirety of monies owed the CONTRACTOR.

It is further agreed that the warranty period for CONTRACTOR'S work pursuant to the Contract is from _____ to _____

As (title) _____ for CONTRACTOR, I have authority to bind said CONTRACTOR, and as such make this final reconciliation, declaration and affidavit for the purpose of inducing Manatee County to make final payment to CONTRACTOR for work done at/upon _____ under said contract:

CONTRACTOR has paid all social security and withholding taxes accrued in connection with the construction project.

CONTRACTOR has paid all workers' compensation and other insurance premiums incurred in connection with this construction project.

CONTRACTOR has paid for all required permits in connection with this construction project.

All laborers, material, men, suppliers, subcontractors and service professionals who worked for and/or supplied materials, equipment and/or services to the CONTRACTOR under this construction contract have been paid in full.

(Affiant Signature)

NOTARY:
State of Florida, County of _____, Sworn to (or affirmed) and subscribed before me this _____ day of _____, _____, by _____ (person giving notice).

Signature of Notary Public - State of Florida: _____
Print, Type or Stamp Commissioned Name of Notary Public:

Personally Known or Produced Identification
Type of Identification Produced _____

CONTRACT CHANGE ORDER

(for Total Contract Adjusted Amount Greater than \$1,000,000)

PROJECT: _____

Change Order No.: _____

**Contract Amount
(Present Value)** _____

Project Number: _____

NO. OF ITEM	DESCRIPTION OF ITEM AND CHANGE	DECREASE	INCREASE

BY EXECUTION OF THIS CHANGE ORDER THE CONTRACTOR AGREES THAT ALL CLAIMS FOR ADDITIONAL CONTRACT TIME AND FEES FOR THE ITEMS IN THIS CHANGE ORDER HAVE BEEN SATISFIED.

TOTAL DECREASE: _____

TOTAL INCREASE: _____

Contractor: _____
Address: _____
City / State: _____

Contractor Signature: _____ **Date:** _____

THE NET CHANGE OF
 ADJUSTS THE CURRENT CONTRACT AMOUNT FROM
 _____ TO

____ CALENDAR DAYS ARE ADDED TO THE SCHEDULE
 WHICH CHANGES THE FINAL COMPLETION DATE TO
 _____ MONTH _____ DAY, _____ YEAR

RECOMMENDATION, CONCURRENCES AND APPROVALS

SIGNATURES

DATE

Consultant / Engineer: _____

Project Manager: _____

Division Manager: _____

Project Management Division Manager

Manatee County Purchasing: _____

Purchasing Official

Authority to execute this contract per Manatee County Code, Chapter 2-26,
 and per the delegation by the County Administrator effective 1/26/2009

JUSTIFICATION FOR CHANGE

Change Order No :

Project Number:

1. NECESSITY FOR CHANGE:



2. Is change an alternate bid? (If yes, explain)

3. Does change substantially alter the physical size of the project? (If yes, explain)

4 Effect of this change on other "Prime" contractors?

5 Has the Surety and insurance company been notified, if applicable? **CONTRACTOR RESPONSIBILITY**