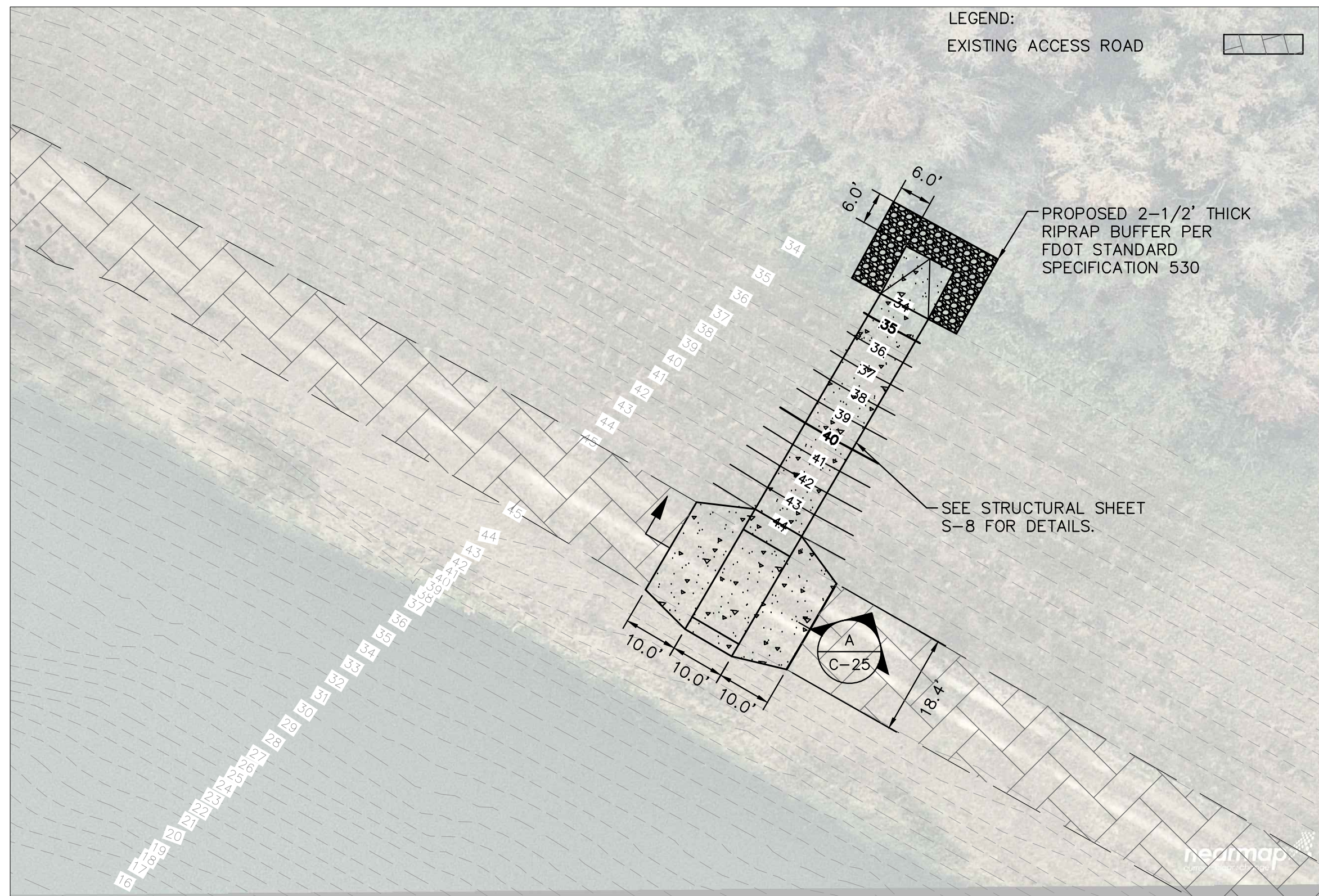
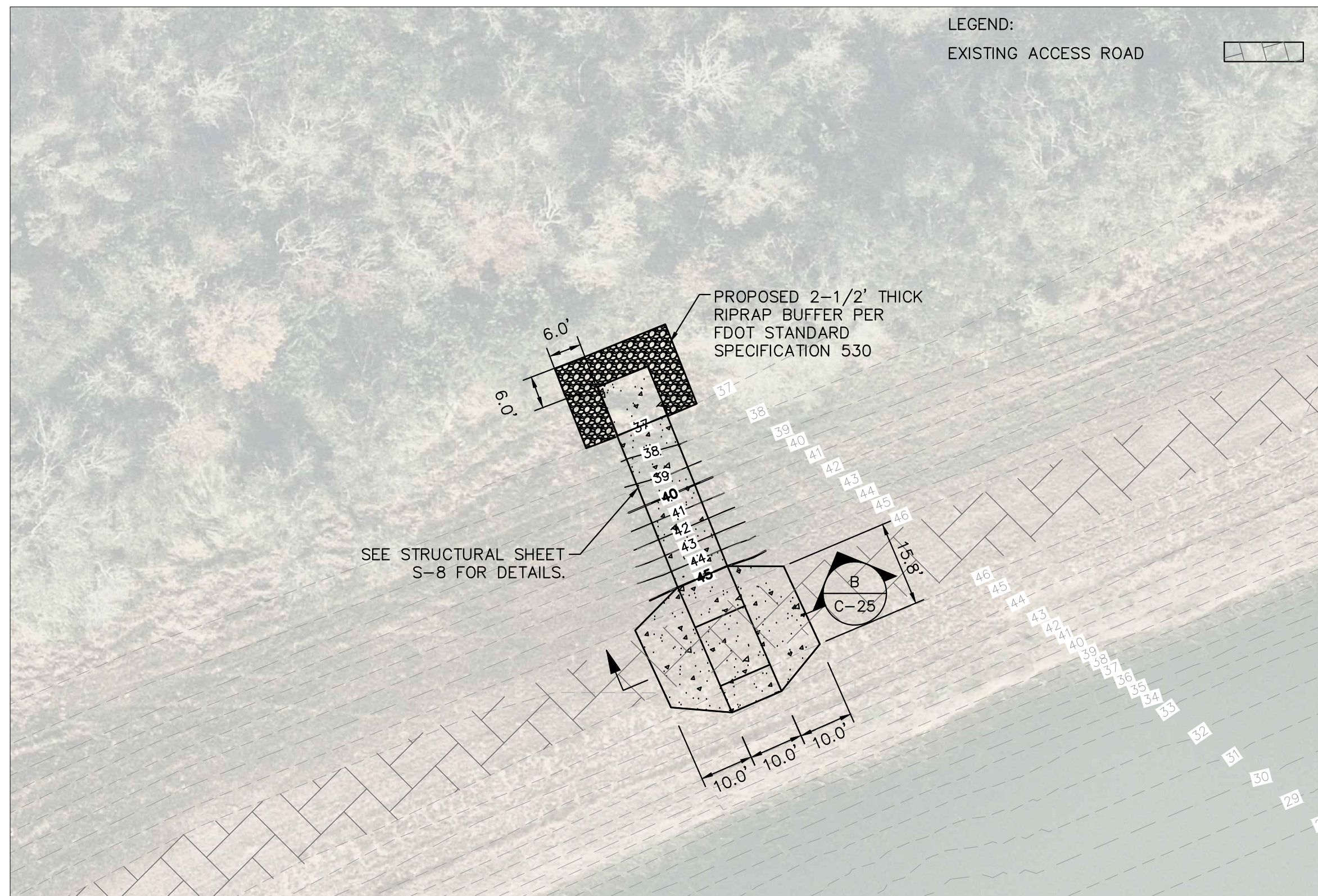


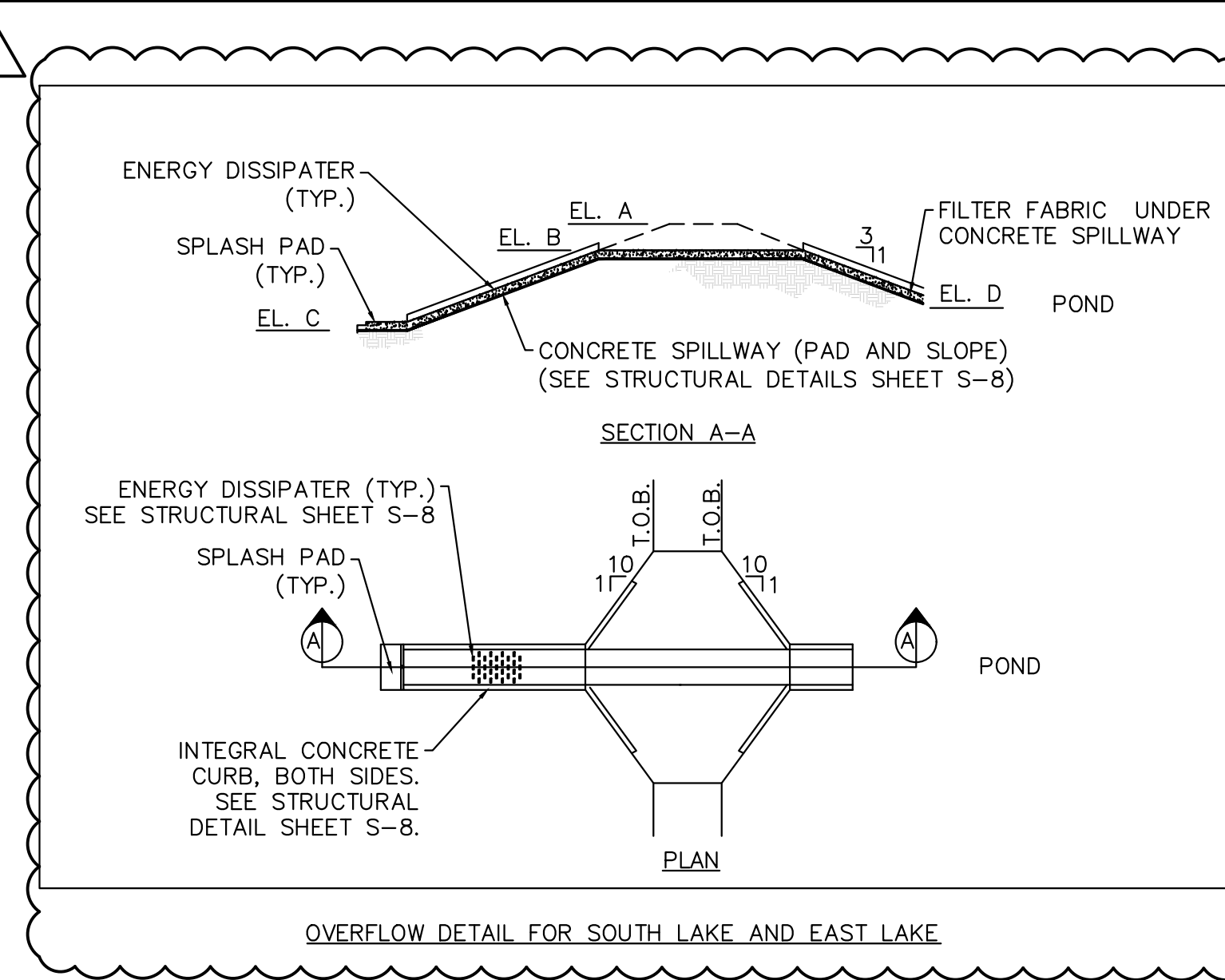
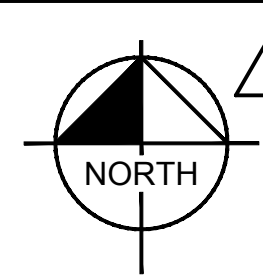
This document, together with the concepts and designs presented herein, is intended only for the specific purpose and client for which it was prepared. Reuse of any improper reference on this document without written authorization and adaptation by Kimley-Horn and Associates, Inc. shall be without liability to Kimley-Horn and Associates, Inc.



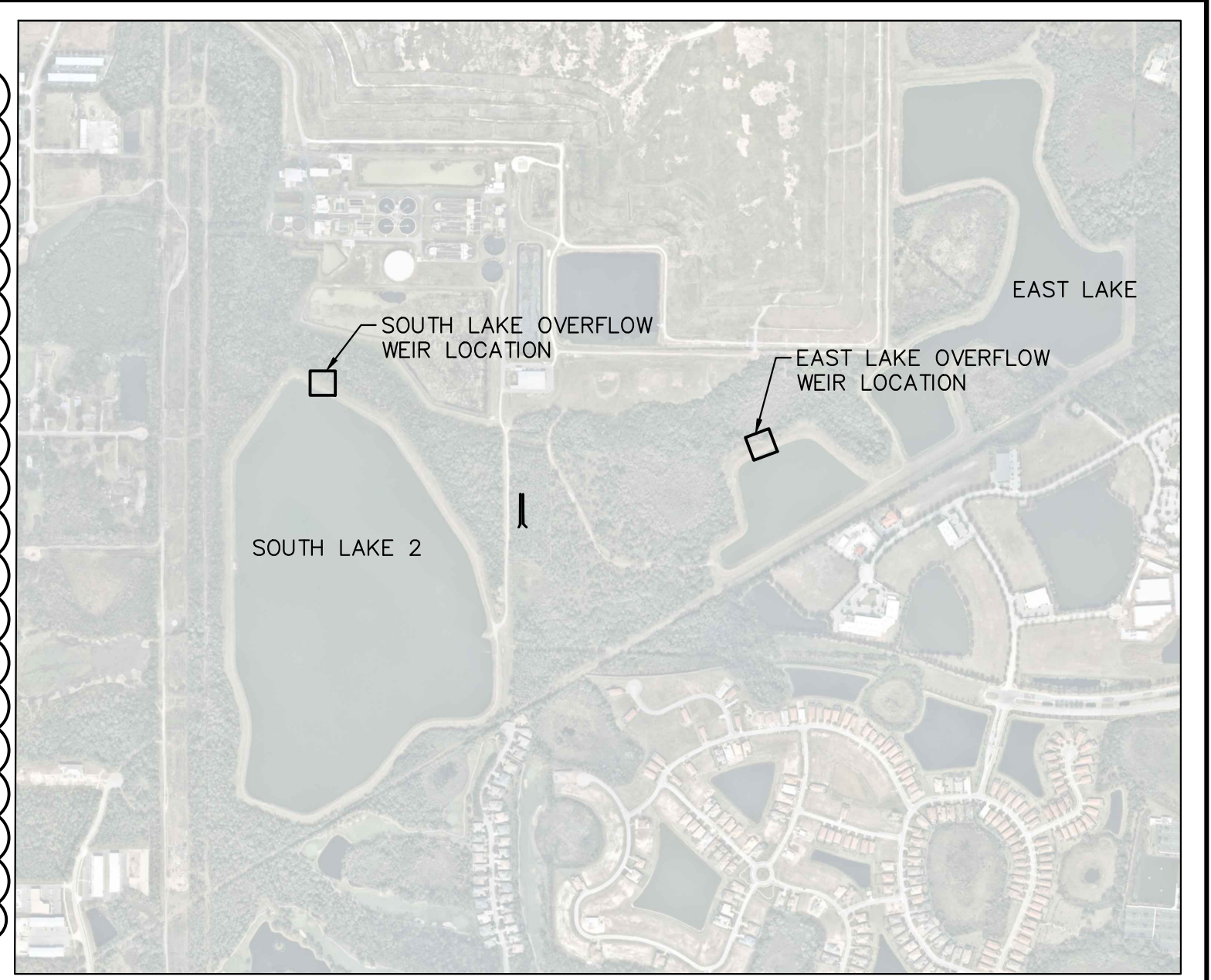
SOUTH LAKE WEIR LOCATION



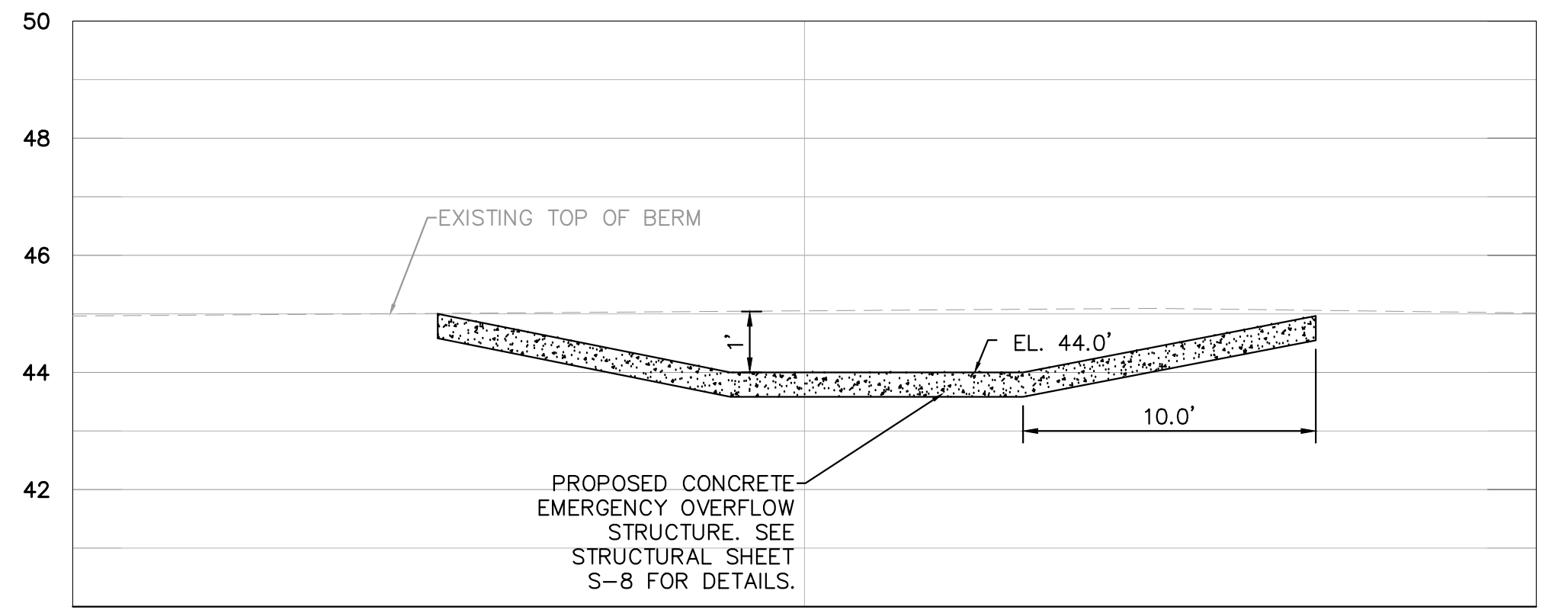
EAST LAKE WEIR LOCATION



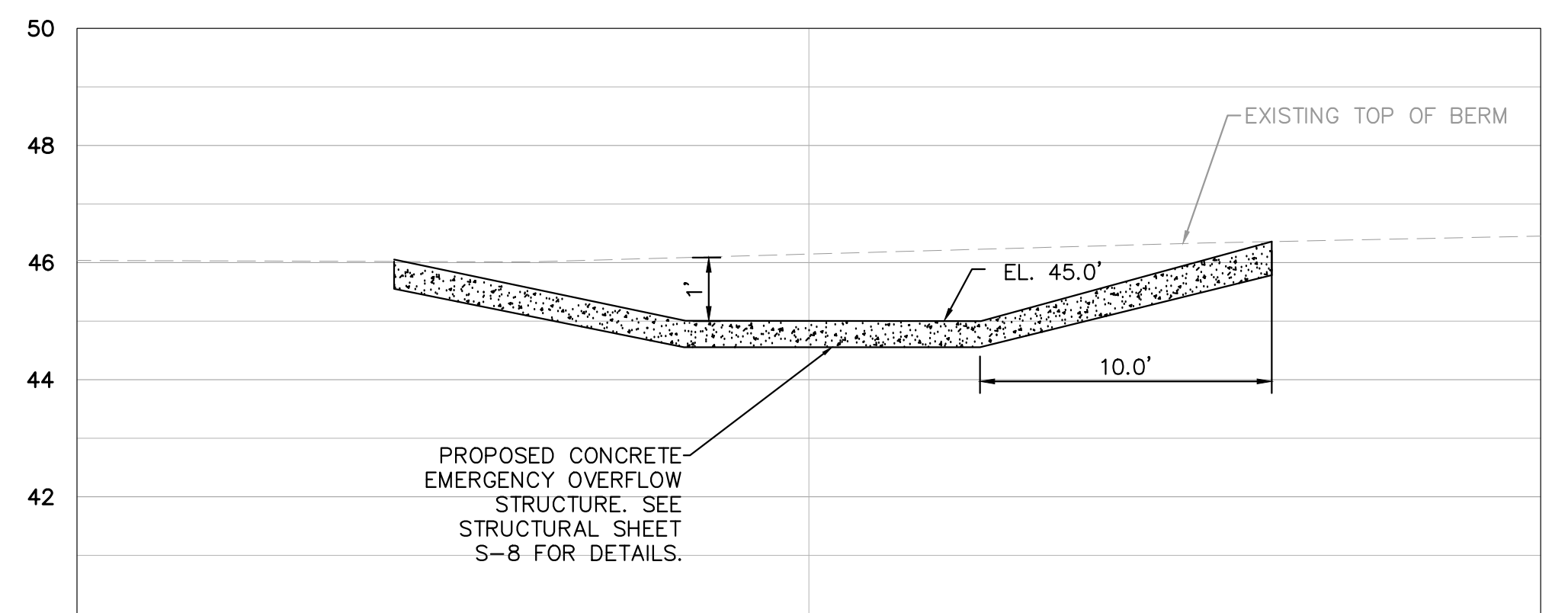
DESCRIPTION	ELEVATION TABLE	
	SOUTH LAKE	EAST LAKE
TOP OF BANK ELEVATION (A)	45.0'	46.0'
TOP OF WEIR ELEVATION (B)	44.0'	45.0'
SPLASH PAD ELEVATION (C)	34.0'	37.0'
POND SIDE ELEVATION (D)	42.0'	45.0'



OVERFLOW STRUCTURE LOCATION MAP



SOUTH LAKE - SECTION A



EAST LAKE - SECTION B

No.	REVISIONS	DATE	BY
5	ADDENDUM 5	5/26/2020	SNR

Kimley & Horn

© 2020 KIMLEY-HORN AND ASSOCIATES, INC.
100 2ND AVENUE SOUTH, SUITE 105N
ST. PETERSBURG, FL 33701
PHONE: 727-547-3999
WWW.KIMLEY-HORN.COM CA 00000696

KHA PROJECT 148400015
DATE 1/28/2020
SCALE AS SHOWN
DESIGNED BY SNR
DRAWN BY ASR
CHECKED BY WEW

Manatee County FLORIDA

SEWRF RECLAIMED PUMP BACK STATION

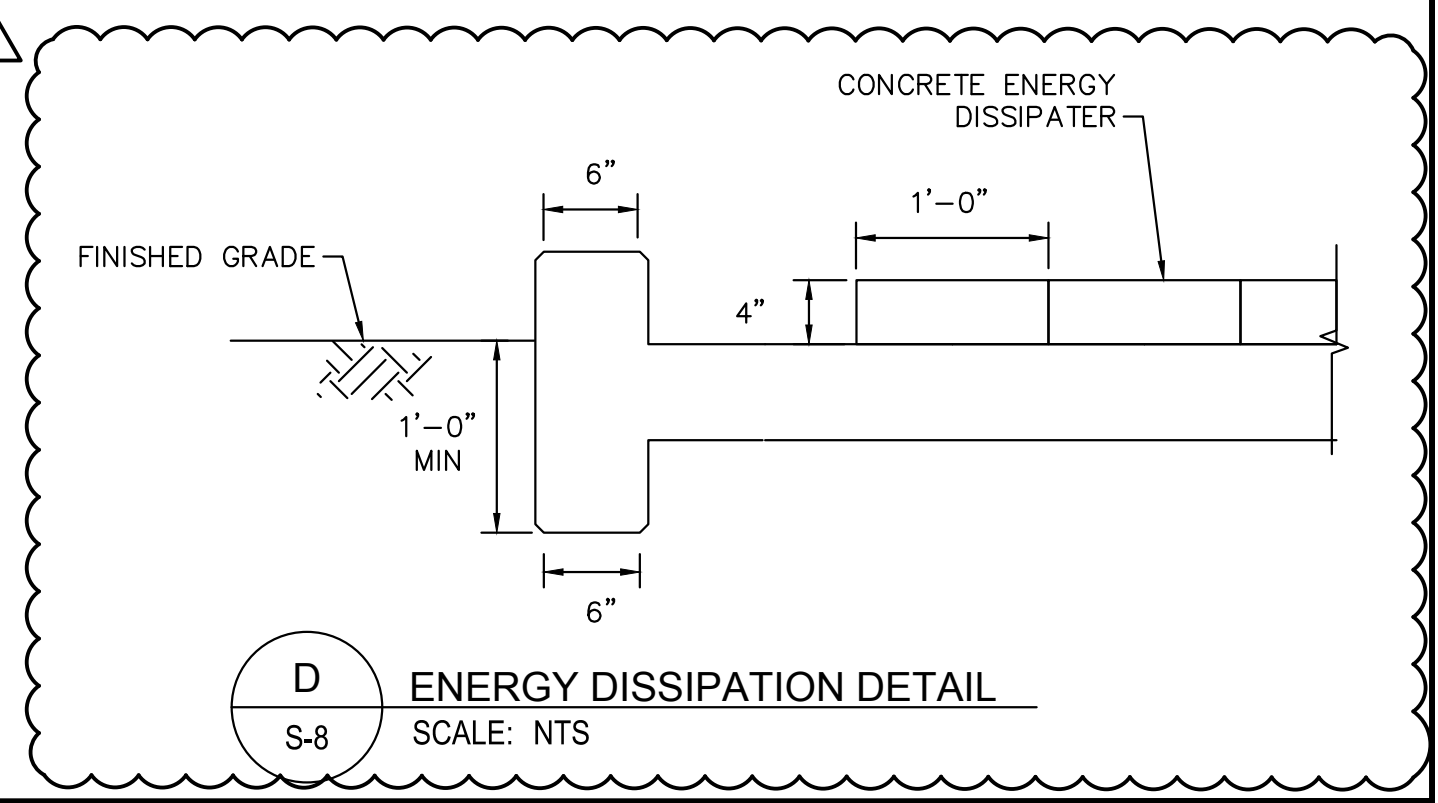
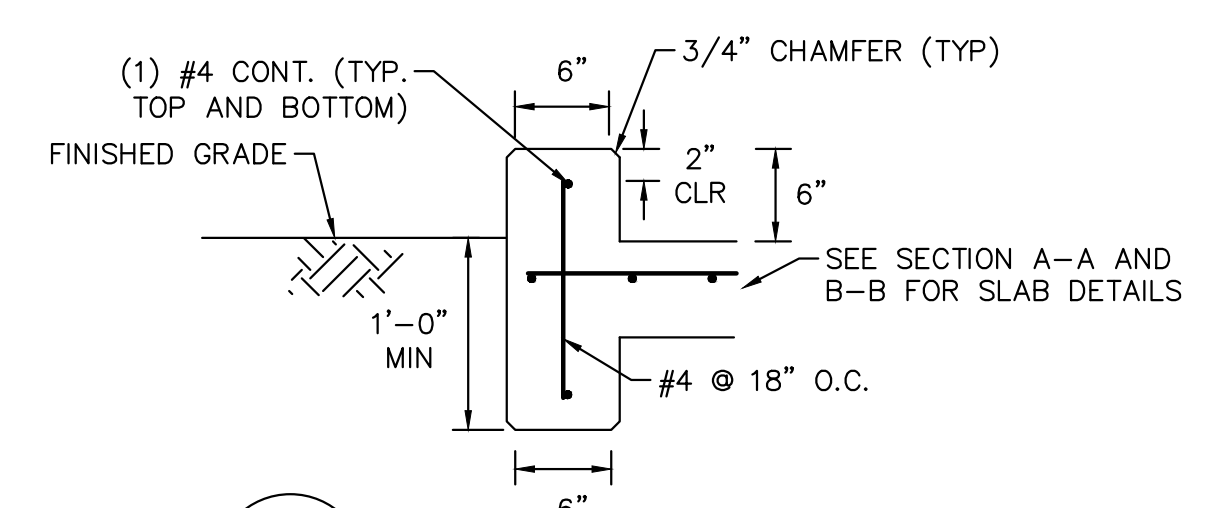
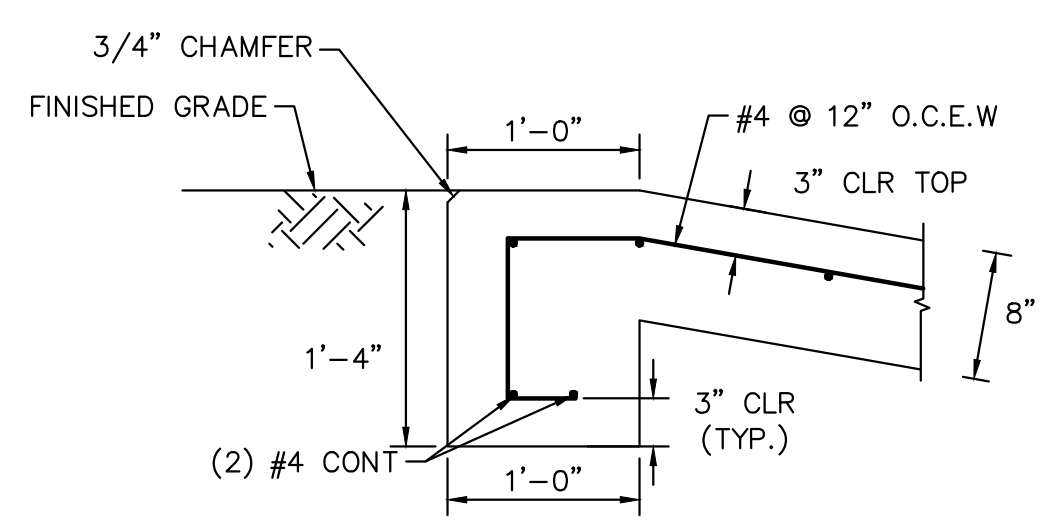
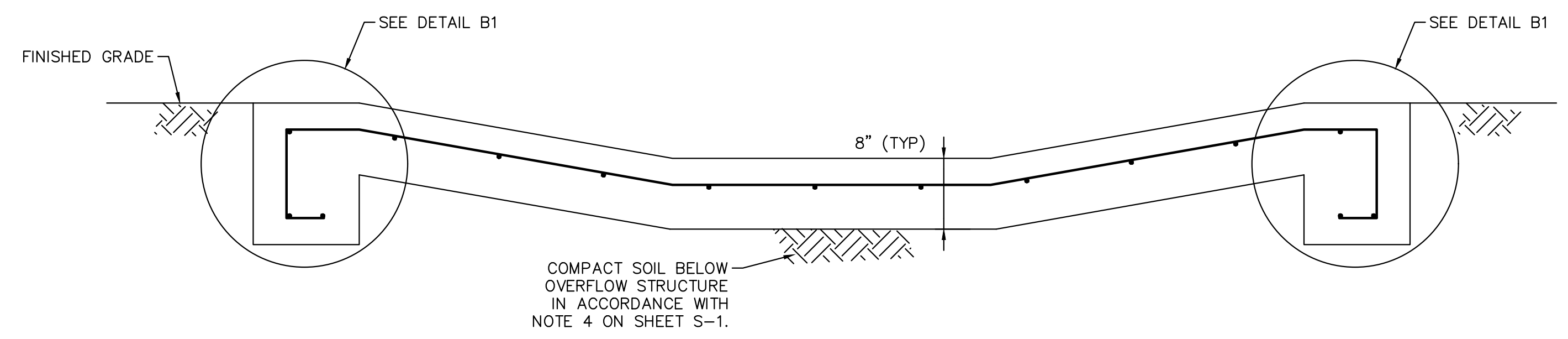
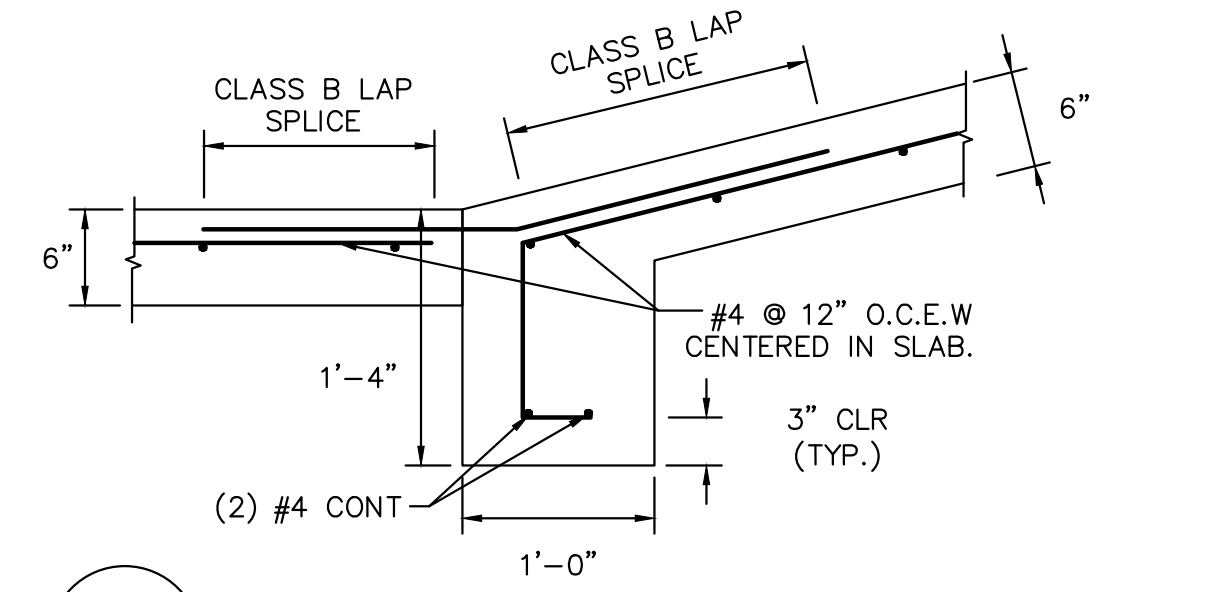
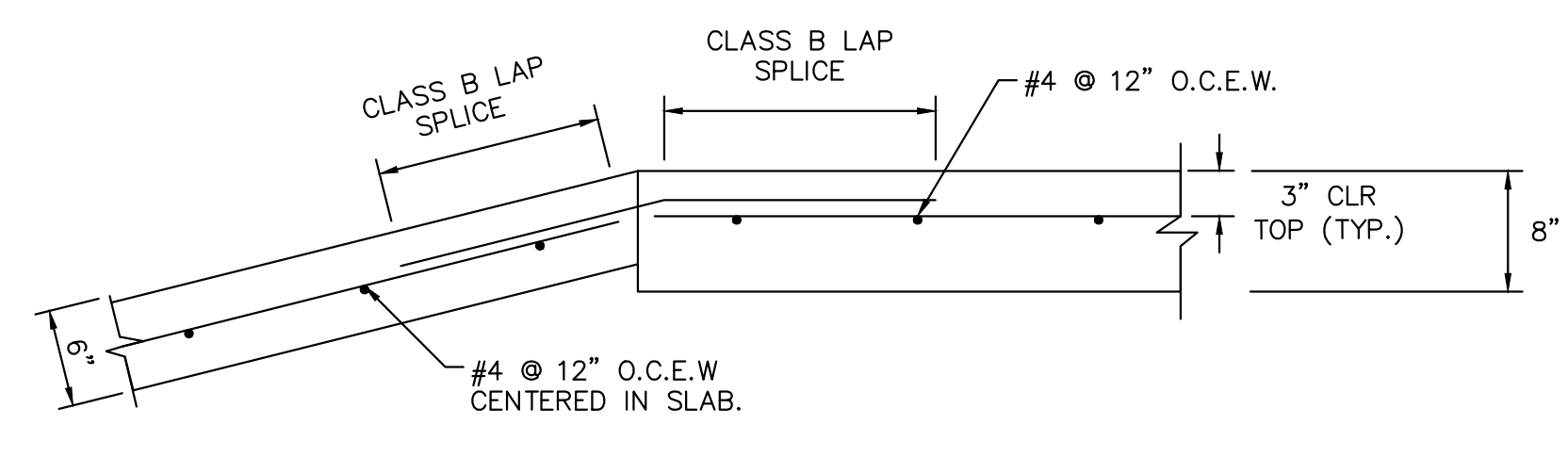
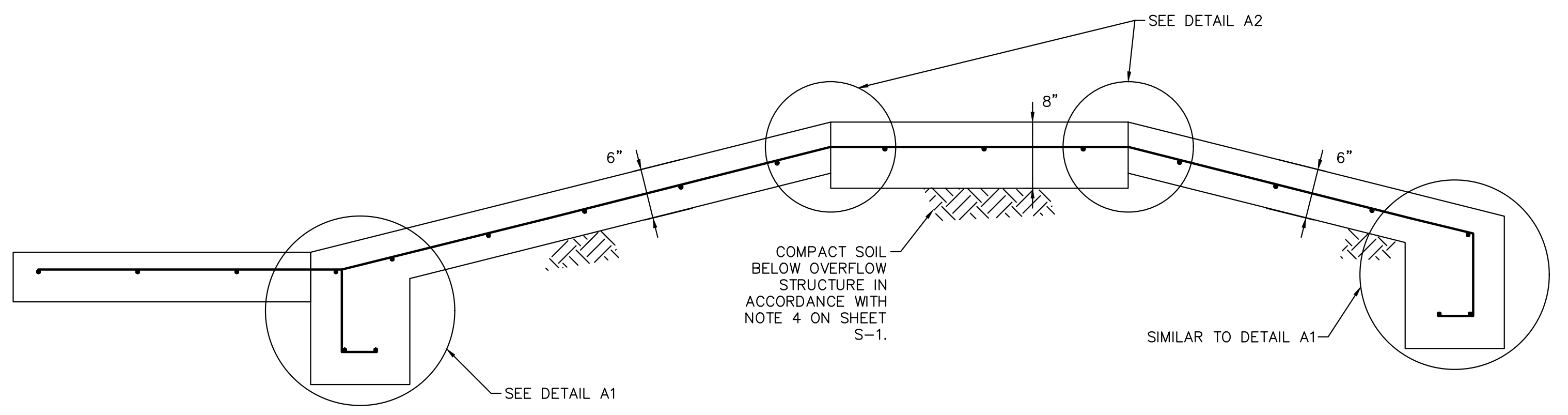
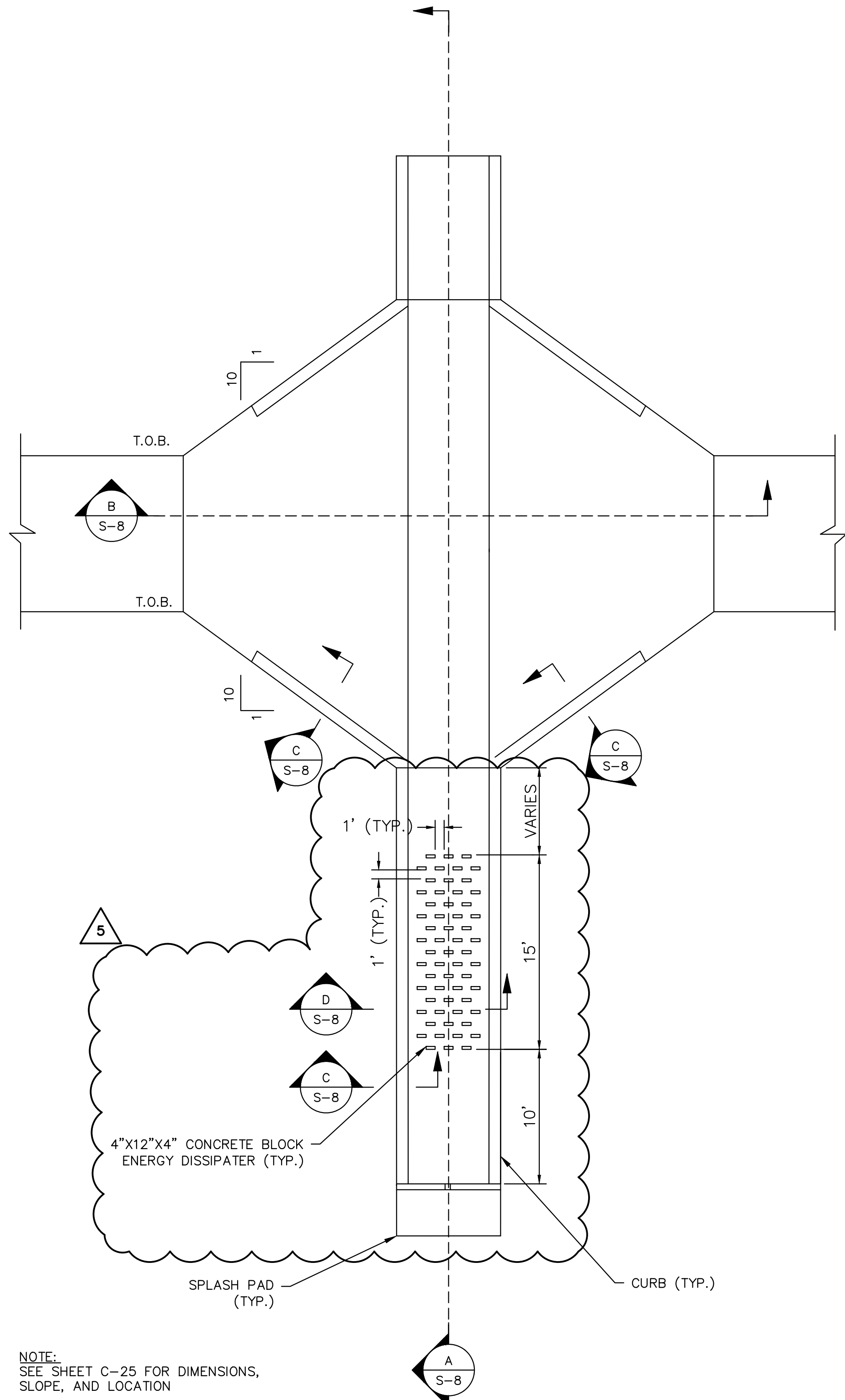
MANATEE COUNTY

LICENSED PROFESSIONAL
STEPHEN N. ROMANO, P.E.
FL LICENSE NUMBER 57579

OVERFLOW STRUCTURES

SHEET NUMBER
C-25

This document, together with the concepts and designs presented herein, is intended only for the specific purpose and client for which it was prepared. Reuse of any improper reference on this document without written authorization and adaptation by Kimley-Horn and Associates, Inc. shall be without liability to Kimley-Horn and Associates, Inc.



5	ADDENDUM 5	5/26/2020	SNR
No.	REVISIONS	DATE	BY

Kimley-Horn

© 2020 KIMLEY-HORN AND ASSOCIATES, INC.
100 2ND AVE SOUTH, SUITE 105N
PHONE: 727-547-3999
WWW.KIMLEY-HORN.COM CA 0000696

KHA PROJECT	148400015
DATE	1/28/2020
SCALE	AS SHOWN
DESIGNED BY	SS
DRAWN BY	ASR
CHECKED BY	WEW

Manatee County
FLORIDA

SEWRF RECLAIMED PUMP BACK STATION

MANATEE COUNTY

LICENSED PROFESSIONAL	SETH SCHMID, P.E.
FL LICENSE NUMBER	54640
FL DATE:	

STRUCTURAL DETAILS

SHEET NUMBER	S-8
--------------	-----