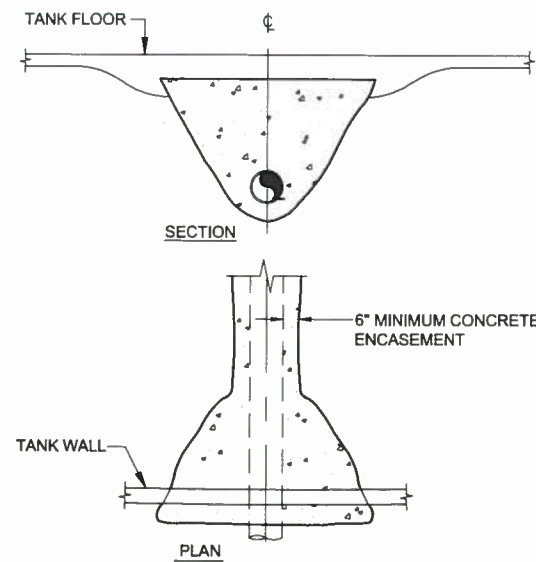
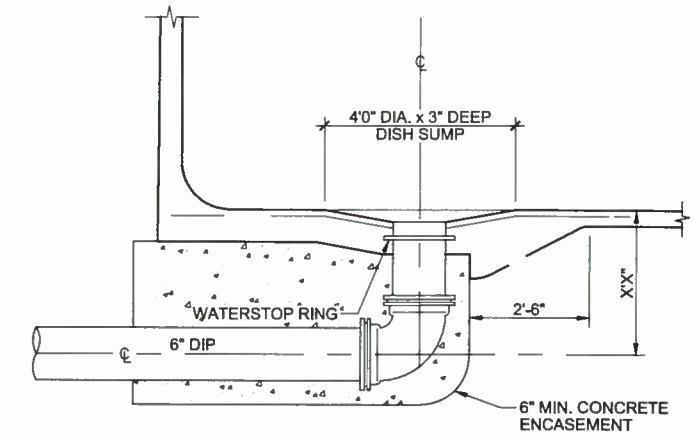


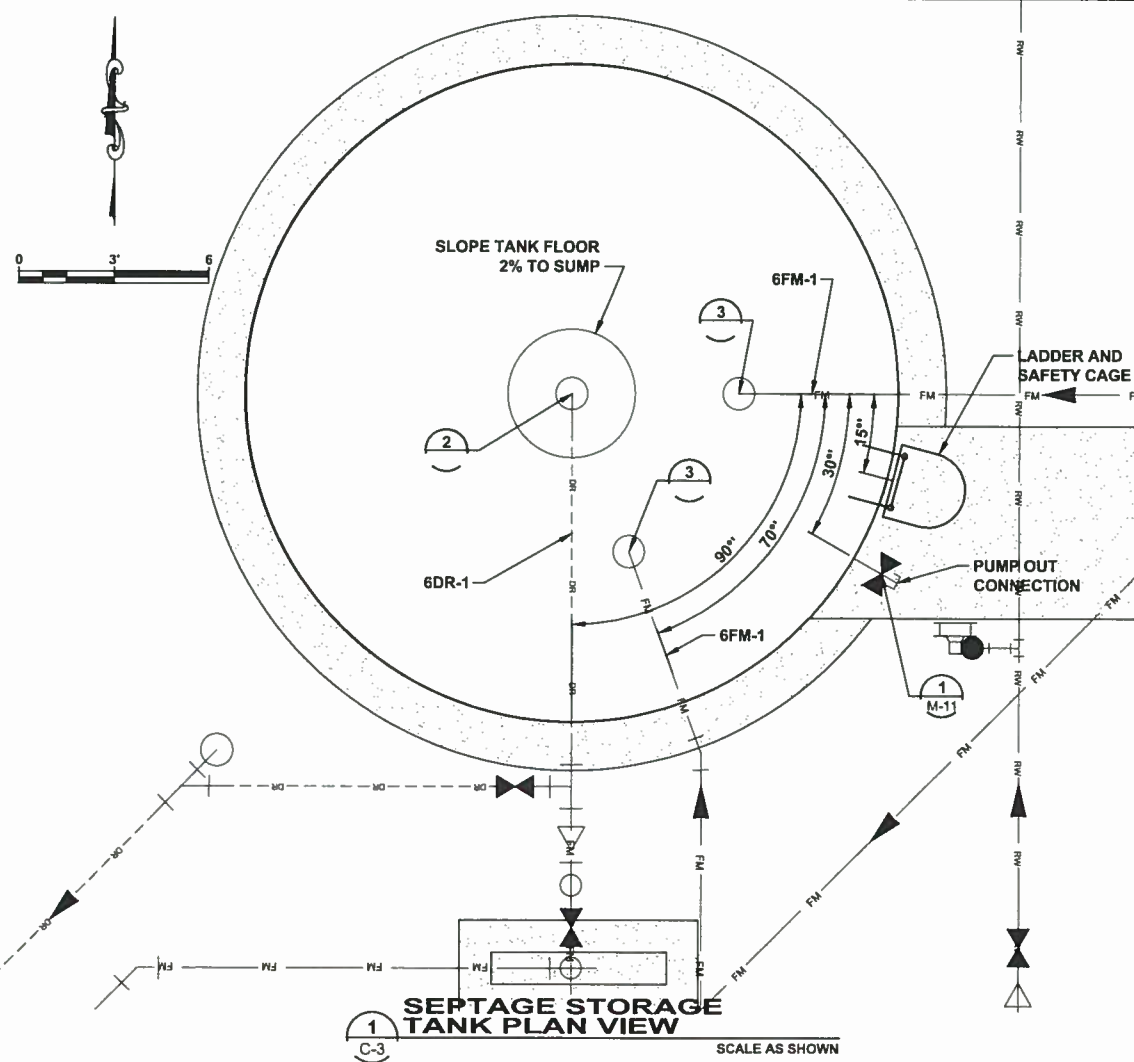
STORAGE TANKS ELEVATION VIEW



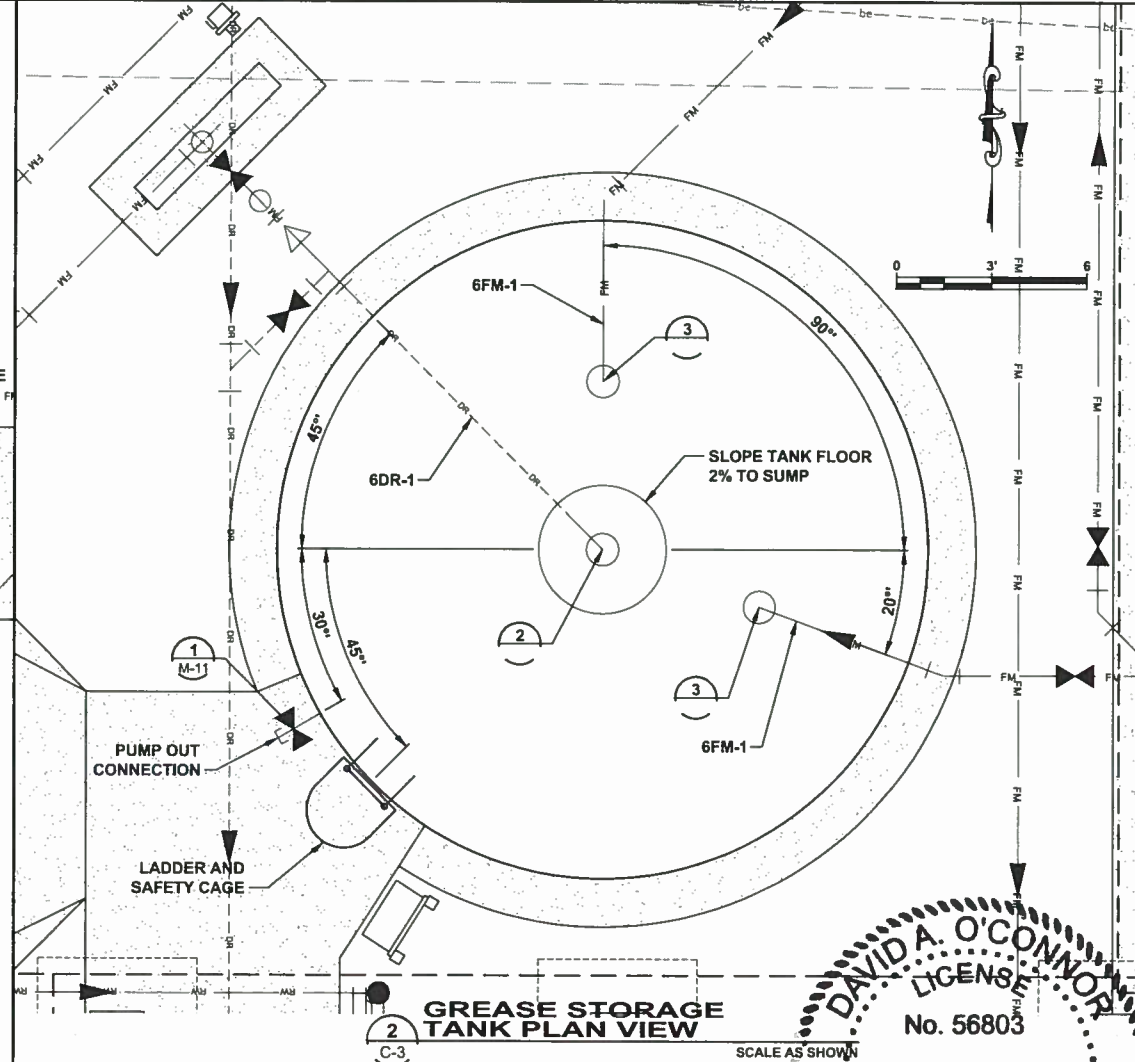
1 TYPICAL PIPE ENCASUREMENT AT TANK WALL DETAIL NTS



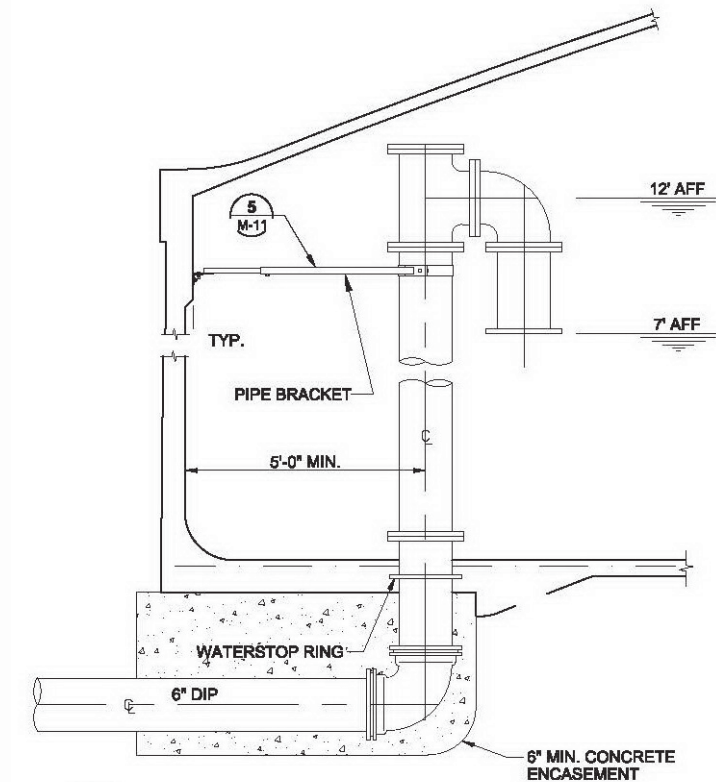
2 TYPICAL DRAIN AND OUTLET PIPE DETAIL NTS



1 SEPTAGE STORAGE TANK PLAN VIEW SCALE AS SHOWN



2 GREASE STORAGE TANK PLAN VIEW SCALE AS SHOWN



3 TYPICAL INLET PIPE DETAIL NTS

DAVIDA O'CONNOR
 LICENSE
 No. 56803
 STATE OF FLORIDA
 PROFESSIONAL ENGINEER

**SEWRF
 SEPTAGE/ GREASE
 RECEIVING STATION**

MANATEE COUNTY
 DEPARTMENT OF PUBLIC WORKS
 UTILITIES DEPARTMENT
 4410 66th Street West Bradenton, Florida 34210
 (941) 792-8811

Cardno
 Shaping the Future
 CLEARWATER
 380 PARK PLACE BLVD, STE 300, CLEARWATER, FL 33759 TEL:
 (727) 531-3505 (800) 861-8314
 www.cardno.com Certificate of Authorization No. 29915

DESIGNED BY
 DRAWN BY
 CHECKED BY
 APPROVED BY

**STORAGE TANKS ELEVATION AND
 CONNECTION DETAILS**

PROJECT NO:
 00193-009-02
 DATE:
 MARCH 2015
 SHEET NO:
M-10