

COMPONENTS OF CONTRACT PLANS SET

- ROADWAY PLANS
- UTILITY ADJUSTMENT PLANS
- SIGNING AND PAVEMENT MARKING PLANS
- SIGNALIZATION PLANS
- INTERCONNECT PLANS



# MANATEE COUNTY, FL FORT HAMER ROAD PHASE II US 301 TO FUTURE FORT HAMER BRIDGE 323-6054764

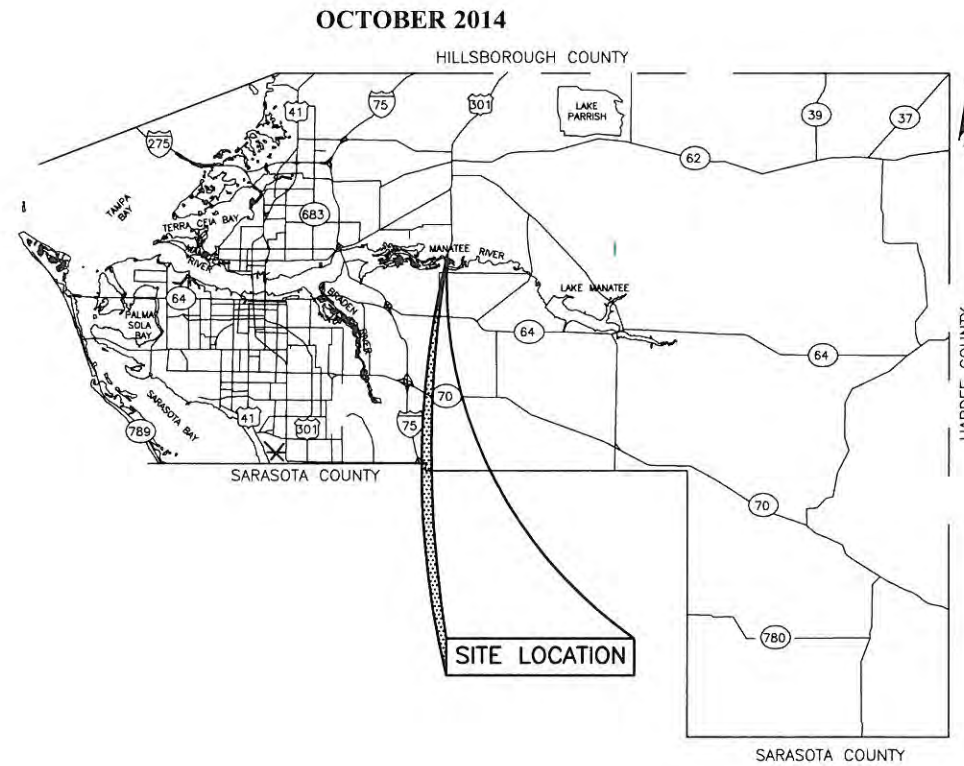
**MANATEE COUNTY, FL  
US 301 TO FUTURE FORT HAMER  
BRIDGE  
COVER SHEET**

**BID SET**



**VICINITY MAP**  
N.T.S.

**PROJECT SITE**



**SITE LOCATION**

NO.	INDEX OF SHEETS
1	COVER SHEET
2	QUANTITY SHEET
3-4	GENERAL NOTES & LEGEND
5-9	TYPICAL SECTIONS
10-34	PLAN AND PROFILE
35-83	CROSS SECTIONS
84-87	DETAILS
88	EROSION CONTROL DETAILS
BMP1-BMP13	BEST MANAGEMENT PRACTICES
UAS1-UAS13	UTILITY ADJUSTMENT SHEETS

**PROJECT DESCRIPTION**

PROJECT CONSISTS OF WIDENING THE EXISTING ROAD FROM 22' TO 24' WITH 4' BIKE LANES AND 4' SHOULDERS, RELOCATING EXISTING ROADSIDE DITCHES, AND ADDING A SIDEWALK ON THE WEST SIDE OF THE ROAD

**NOTES:**

THIS PROJECT TO BE LET TO CONTRACT WITH MANATEE COUNTY PROJECT NUMBER 6035560 & MANATEE COUNTY PROJECT NUMBER 6082660.

THE SCALE OF THESE PLANS MAY HAVE CHANGED DUE TO REPRODUCTION.



Know what's below  
Call before you dig

NO.	REVISION DESCRIPTION	BY	DATE

PROJECT #	323-6054764
SURVEY #	---
SEC./TWN./RGE	7/35S/18E
SCALE	N.T.S.
DESIGNED	AM
DRAWN	TMF/GB
CHECKED	JP/GB 09/2014
CHRIS L. MOWBRAY, P.E.	
FLORIDA P.E. # 46777	
Signature & Date	

S:\oad\_engineering\_share\highway\_engineering\ROADS\Fort\_Hamer\_road\DWG\FH\_COV & GUD.dwg, Cover, 10/22/2014 8:23 AM from Forrester, J.J., 11x17

S:\DWG\Engineering\Shore Highway\Engineering\3005\305\Fort Hamer Road\DWG\1-11.dwg & 010mg\_2.dwg 11/15/2014 9:17 AM Tom Forester 1:1, 1:147

ITEM NO.	DESCRIPTION	EST. QTY	U/M
<b>ROAD WORK</b>			
101-1	MOBILIZATION	1.00	LS
102-1	MAINTENANCE OF TRAFFIC	1.00	LS
104-10-3	SEDIMENT BARRIER	25,139	LF
104-18	INLET PROTECTION SYSTEM	324	EA
110-2-1	CLEARING & GRUBBING	22	AC
110-7-1	MAILBOX, F&I SINGLE	45	EA
120-1	REGULAR EXCAVATION	24,200	CY
120-4	SUBSOIL EXCAVATION	8,500	CY
120-6	EMBANKMENT (REGULAR)	10,680	CY
160-MC	12" TYPE B STABILIZATION (LBR 60)	33,000	SY
285-701	4" OF OPTIONAL BASE GROUP 1	12,300	SY
285-709	10" OF OPTIONAL BASE GROUP 9	15,147	SY
327-70-1	MILLING EXIST ASPH PAVT, 1" AVG DEPTH	42,000	SY
334-1-13	3" SUPER PAVE ASPHALTIC CONCRETE SP-12.5 TRAFFIC C	9,900	TN
337-7-73	1" ASPHALT CONCRETE FRICTION COURSE, FC-9.5 TRAFFIC C	3,310	TN
400-2-2	ENDWALL CLASS II	40.00	CY
400136	EPOXY CONCRETE OVERLAY- STRUCTURES REHAB	1.00	SY
400-MC	CONCRETE CLASS I ( UNDER THE SIDEWALK SWALE CROSSING) STEEL INCLUDED	17.00	CY
400-MC	GRAVITY WALL (STEEL INCLUDED)	160	CY
425-MC	GRATE INLET(DBI)	2	EA
425-MC	DROP INLET	1	EA
425-MC	JUNCTION BOX	5	EA
425-MC	TRAFFIC BEARING LID	9	EA
425-2-91	MANHOLE, J-8, <10' (6'x8')	1	EA
425-1201	INLETS,CURB, TYPE 9, <10'	1	EA
425-1521	INLETS, DT BOT, TYPE C, <10'	1	EA
425-1529	INLETS, DT BOT, TYPE C, MODIFY	1	EA
425-1559	INLETS, DT BOT, TYPE E, MODIFY	1	EA
430-174-115	PIPE STORM SEWER CULV (RCP)(15")	96.00	LF
430-174-118	PIPE STORM SEWER CULV (RCP)(18")	363.00	LF
430-174-124	PIPE STORM SEWER CULV (RCP)(24")	1,264.00	LF
430-174-130	PIPE STORM SEWER CULV (A2000)(30")	32	LF
430-174-136	PIPE STORM SEWER CULV (RCP)(36")	48	LF
430-174-215	PIPE STORM SEWER CULV (ERCP) (12"X18")	589	LF
430-174-218	PIPE STORM SEWER CULV (ERCP) (14"X23")	260	LF
430-174-224	PIPE STORM SEWER CULV (ERCP) (19"X30")	439	LF
430-174-230	PIPE STORM SEWER CULV (ERCP) (24"X38")	176	LF
430-174-236	PIPE STORM SEWER CULV (ERCP) (29"X45")	56	LF
430-175-248	PIPE STORM SEWER CULV (RCP)(38"X60")	48	LF
430-982-125	MITERED END SECTION-RCP- ROUND/18"	14	EA
430-982-623	MITERED END SECTION- 12"X 18"	2	EA
430-984-129	MITERED END SECTION-RCP- ROUND/24"	1	EA
430-941-133	MITERED END SECTION-RCP- ROUND/30"	1	EA
430-984-623	MITERED END SECTION- 12"X 18"	22	EA
430-984-625	MITERED END SECTION- 14"X 23"	10	EA
430-984-629	MITERED END SECTION- ERCP ROUND 19"X 30"	11	EA
430-984-633	MITERED END SECTION- ERCP ROUND 24"X 38"	7	EA
515-1-2	PIPE HANDRAIL-GUIDERAIL, ALUMINUM	500	LF
520-1-10	TYPE F CURB & GUTTER	1,651	LF
520-5-11	TRAFFIC SEPARATOR CONCRETE TYPE I, 4' WIDE	492	LF
522-1	SIDEWALK CONCRETE 4"	3,210.00	SY
522-2	SIDEWALK CONCRETE 6" THICK (CONC. DRIVEWAYS)	1,923	SY
527-2	DETECTABLE WARNINGS	192	SF
530-3-4	RIP RAP-RUBBLE	1,100	TN
536-1-1	GUARDRAIL	1,253	LF
536-6	PIPE RAIL FOR GUARDRAIL	370.00	LF
550-MC	EXISTING FENCE TO BE REMOVED AND RELOCATED	3,182	LF
570-1-2	PERFORMANCE TURF (BAHIA SOD)	72,000.00	SY
571-1-11	PLASTIC EROSION MAT, TURF REINFORCED MAT, TYPE I	39,600.00	SY
<b>UTILITIES RELOCATION</b>			
U-2	RELOCATE 6" TO 10" DI WATER MAIN (CI 350) (WATER)	40	LF
U-3	DI FITTINGS (WATER)	150	LB
U-4	PIPE RESTRAINTS 6"-10" (WATER)	15	EA
U-5	REPLACE WATER SERVICE (SINGLE ,SHORT) (WATER)	2	EA
U-6	REPLACE WATER SERVICE (SINGLE, LONG) (WATER)	2	EA
U-7	ADJUST VALVE BOX OR METER BOX (WATER)	27	EA
U-8	RELOCATE FIRE HYDRANT ASSEMBLY (WATER)	6	EA
U-10	MISCELLANEOUS CONCRETE (WATER)	1	CY
U-11	BFP INCL. VACUUM BREAKERS & EXP. TANK (WATER)	1	EA
U-13	DI FITTINGS (SANITARY)	1,400	LB
U-14	PIPE RESTRAINTS 6"-10" (SANITARY)	30	EA
U-15	GROUT OR REMOVE ABANDONED PIPE (SANITARY)	470	LF
U-16	ADJUST VALVE BOX OR METER BOX (SANITARY)	3	EA
U-17	ARV ASSEMBLY INCL. MANHOLE (SANITARY)	3	EA
U-18	MISCELLANEOUS CONCRETE (SANITARY)	6	CY
U-19	16" PVC DR 18 FORCE MAIN (C905) DIRECT BURY (SANITARY)	240	LF
U-20	8" PVC DR 18 FORCE MAIN (C900) DIRECT BURY (SANITARY)	290	LF
U-21	PIPE RESTRAINTS 16" (SANITARY)	20	EA
U-22	ADJUST MANHOLE LID & COVER (SANITARY)	2	EA
U-23	CONNECT TO EXISTING FORCE MAIN (SANITARY)	8	EA

<b>SIGNING AND PAVEMENT MARKING</b>			
0700-1-11	SINGLE POST SIGN, F&I, LESS THAN 12 SF	26	AS
0700-1-50	SINGLE POST SIG, RELOCATE	13	AS
0701-1-60	SINGLE POST SIGN, REMOVE	1	AS
706-3	RETRO-REFLECTIVE PAVEMENT MARKERS, W/R	103	EA
706-3	RETRO-REFLECTIVE PAVEMENT MARKERS, Y/Y	853	EA
0710-11-290	PAINTED PAVEMENT MARKINGS, STANDARD, YELLOW, ISLAND NOSE	343	SF
0711-11-111	THERMOPLASTIC, STANDARD, WHITE SOLID, 6"	6	NM
0711-11-123	THERMOPLASTIC, STANDARD, WHITE SOLID, 12" (CROSSWALK)	938	LF
0711-11-125	THERMOPLASTIC, STANDARD, WHITE SOLID, 24"	470	LF
0711-15-151	THERMOPLASTIC, STANDARD, WHITE SOLID, 2'-4" Skip, 6"	1,337	LF
0711-11-160	THERMOPLASTIC, STANDARD, WHITE SOLID, (MESSAGE) (BIKE SYM)	26	EA
0711-11-160	THERMOPLASTIC, STANDARD, WHITE SOLID, (MESSAGE) (BIKE ARROW)	41	EA
0711-11-160	THERMOPLASTIC, STANDARD, WHITE SOLID, MESSAGE (SCHOOL)	4	EA
0711-11-170	THERMOPLASTIC, STANDARD, WHITE SOLID, ARROW	41	EA
0711-11-211	THERMOPLASTIC, STANDARD, YELLOW SOLID, 6"	5	NM
0711-11-224	THERMOPLASTIC, STANDARD, YELLOW SOLID, 18"	928	LF
0711-11-231	THERMOPLASTIC, STANDARD, YELLOW SOLID, SKIP 6"/10-30 SKIP	0.90	GM



**MANATEE COUNTY, FL  
US 301 TO FUTURE FORT HAMER  
BRIDGE  
QUANTITY SHEET**

NO.	REVISION DESCRIPTION	BY	DATE

PROJECT #	323-6054764
SURVEY #	---
SEC./TWN./RGE.	7/35S/18E
SCALE	N.T.S.



NO.	BY	DATE
DESIGNED	AM	---
DRAWN	TMF/GB	---
CHECKED	JR/GB	09/2014
CHRIS L. MOWBRAY, P.E. FLORIDA P.E. # 46777		
Signature & Date		



RESTORATION

1. ALL RESTORATION WORK PERFORMED THROUGHOUT THE PROJECT SHALL CONFORM TO EXISTING LINES AND GRADES UNLESS SHOWN OTHERWISE.
2. ALL DISTURBED GRASSED AREAS SHALL BE SODDED. THE TYPE OF SOD USED TO REPLACE OWNER MAINTAINED AREAS IN RIGHT-OF-WAY SHALL BE COORDINATED WITH THE PROPERTY OWNER. ALL EXISTING SHRUBS, TREES, PLANTINGS AND OTHER VEGETATION, OUTSIDE OF RIGHT-OF-WAY DISTURBED DURING CONSTRUCTION SHALL BE REPLACED WITH EQUIVALENT MATERIAL BY THE CONTRACTOR AT NO ADDITIONAL COST TO THE OWNER.
3. CONCRETE DRIVEWAYS OR SIDEWALKS THAT ARE CUT SHALL BE RESTORED TO MATCH EXISTING ACCORDING TO THE CURRENT EDITIONS OF THE F.D.O.T. SPECIFICATIONS FOR ROAD AND BRIDGE DESIGN, SECTION 522, AND SECTION 310 OF THE F.D.O.T. DESIGN STANDARDS LATEST REVISION.
4. ALL CONCRETE THRUST BLOCKS INSTALLED FOR TESTING PURPOSES AND NOT REQUIRED FOR THE OPERATION OF THE PIPELINE SHALL BE REMOVED AND DISPOSED OF BY THE CONTRACTOR, PRIOR TO FINAL ACCEPTANCE, AT NO ADDITIONAL COST TO THE OWNER.
5. WHENEVER A PERMANENT ROADWAY SURFACE IS NOT PLACED IMMEDIATELY AFTER BACKFILLING AND COMPACTION OF THE NEWLY INSTALLED PIPE LINE IN AREAS WHERE TRAFFIC MUST PASS, THE CONTRACTOR SHALL INSTALL A TEMPORARY SURFACE CONSISTING OF NINE INCHES OF COMPACTED LIME ROCK BASE AND A COAT OF ASPHALT EMULSION. PERMANENT ROADWAY REPAIR SHALL BE PERFORMED A MAXIMUM OF TWENTY-ONE CALENDAR DAYS AFTER THE INITIAL OPEN CUTTING.
6. RESTORATION OF CURBS, DRIVEWAYS, SIDEWALKS, AND PLACEMENT OF SOD SHALL BE COMPLETED WITHIN FORTY-FIVE CALENDAR DAYS OF INITIAL DISTURBANCE, OR TWENTY-ONE CALENDAR DAYS OF SUBSTANTIAL COMPLETION, WHICHEVER OCCURS FIRST.

CONSTRUCTION

7. THE EXHAUST SYSTEM OF ALL GASOLINE AND DIESEL ENGINES SHALL BE EQUIPPED WITH MUFFLERS THAT MEET THE EQUIPMENT MANUFACTURER'S REQUIREMENTS FOR NOISE SUPPRESSION. THE CONTRACTOR SHALL INSTALL NOISE ABATEMENT BAFFLES POSITIONED TO BREAK LINE-OF-SITE FROM THE NOISE SOURCE TO AFFECTED RESIDENCES, AS APPROVED BY THE ENGINEER.
8. NO MATERIAL SHALL BE STOCKPILED IN ROADWAYS. ALL DIRT AND DEBRIS SHALL BE REMOVED FROM THE JOB SITE DAILY. ROADS SHALL BE SWEEPED DAILY AS PART OF DAILY CLEAN UP.
9. THE CONTRACTOR IS TO CONTROL ALL FUGITIVE DUST ORIGINATING ON THIS PROJECT BY WATERING OR OTHER METHODS AS REQUIRED.
10. INGRESS AND EGRESS TO ALL THE PROPERTIES IN THE CONSTRUCTION AREA SHALL BE MAINTAINED AT ALL TIMES.
11. PRIOR APPROVAL WILL BE REQUIRED FOR REMOVAL OF ANY TREE WITHIN THE CONSTRUCTION AREA, UNLESS OTHERWISE NOTED ON THE PLANS.
12. THE CONTRACTOR SHALL PROVIDE ALL DEWATERING EQUIPMENT NECESSARY TO KEEP ALL EXCAVATIONS DRY. DEWATERING IS REQUIRED TO 18" BELOW TRENCH BOTTOM. THE CONTRACTOR SHALL SUBMIT DEWATERING PLAN TO DISTRICT FOR APPROVAL PRIOR TO CONSTRUCTION.
13. ALL PIPING AND FITTINGS USED ON THIS PROJECT SHALL BE AS NOTED ON THE PLANS AND IN THE CONTRACT DOCUMENT AND SHALL BE INSTALLED TO THE LINES AND GRADES SHOWN ON THE PLANS AND PROFILES.
14. ALL PIPE SHALL BE COLOR CODED TO CONFORM TO MANATEE COUNTY STANDARDS.
15. ALL PIPE AND FITTINGS SHALL BE INSTALLED AS RECOMMENDED BY THE MANUFACTURER AND ALL PIPE JOINTS SHALL BE RESTRAINED WHERE REQUIRED.
16. ALL FITTINGS FOR PRESSURE CLASS-RATED PIPE SHALL BE RESTRAINED DUCTILE IRON. RESTRAINED LENGTHS OF PIPE SHALL ADHERE TO THE REQUIREMENTS AS SHOWN ON THE DETAIL SHEETS.
17. ALL PIPE LENGTHS ARE PLUS OR MINUS AND MAY BE ADJUSTED IN THE FIELD AS REQUIRED. PIPE MEASUREMENTS AND STATION OFFSETS ARE TO CENTER OF STRUCTURES OR FITTINGS. REFER TO DETAIL SHEET FOR ALL REFERENCE POINTS.
18. ALL EXISTING MAINS THAT ARE BEING REPLACED SHALL BE ABANDONED IN PLACE UPON ACCEPTANCE AND ACTIVATION OF THE NEW MAINS. ABANDONED MAINS SHALL BE CUT, FILLED WITH GROUT, AND CAPPED. REFER TO SECTION 02064 OF THE SPECIFICATIONS FOR GROUTING OF ABANDONED PIPE.
19. WATER MAINS CROSSING OVER OR UNDER SANITARY SEWERS, FORCE MAINS, AND RECLAIMED WATER LINES SHALL BE LAID PER CURRENT EDITION OF "10 STATE STANDARDS" AND MANATEE COUNTY UTILITY STANDARDS UNLESS NOTED OTHERWISE ON THE PLANS.
20. FIELD CONDITIONS MAY NECESSITATE MINOR ALIGNMENT AND GRADE DEVIATION OF THE PROPOSED UTILITIES TO AVOID OBSTACLES, AS ORDERED BY THE ENGINEER.
21. CONTRACTOR SHALL PROVIDE RECORD DRAWINGS IN ACCORDANCE WITH SECTION 14 IN THE CURRENT MANATEE COUNTY UTILITY STANDARDS AT NO COST TO THE OWNER. RECORD DRAWINGS SHALL BE SIGNED & SEALED BY A SURVEYOR CURRENTLY LICENSED BY THE STATE OF FLORIDA. ALL RECORD DRAWING INFORMATION REQUIREMENTS IN SECTION 14 SHALL BE STRICTLY ENFORCED. A COPY OF SECTION 14 WILL BE PROVIDED UPON REQUEST.

22. ALL ROCKS OR STONES LARGER THAN SIX INCH DIAMETER SHALL BE REMOVED FROM THE BACKFILL MATERIAL. BACKFILL MATERIAL PLACED WITHIN ONE FOOT OF PIPING AND APPURTENANCES SHALL NOT CONTAIN ANY STONES LARGER THAN TWO INCH DIAMETER.
23. ALL PENETRATION OF EXISTING STRUCTURES SHALL BE BY THE MECHANICAL ROTARY CORE BORING METHOD.
24. ALL CONCRETE AND REBAR PENETRATED OR DISTURBED SHALL BE COATED WITH TWO COATS OF EPOXY.

25. CONTRACTOR IS RESPONSIBLE FOR ALL UNSUITABLE MATERIAL REMOVAL WITHIN PROJECT LIMITS. EXCAVATION, EMBANKMENT, INCLUDING UTILIZATION, AND UNSUITABLE MATERIAL REMOVAL SHALL BE IN ACCORDANCE WITH FOOT DESIGN STANDARDS, LATEST VERSION.

26. WHERE EXCAVATION IS REQUIRED FOR CONSTRUCTION OF SIDEWALK, ALL STUMPS, ROOTS, ETC. SHALL BE REMOVED COMPLETELY FROM THE SIDEWALK AREA. ALL STUMPS WITHIN THE PROJECT LIMITS SHALL BE REMOVED COMPLETELY AND REPLACED WITH COMPACTED BACKFILL BEFORE THE AREA IS FILLED. TREE ROOTS IN AREA OF PROPOSED SIDEWALK, RAMP, OR DRIVEWAY REPLACEMENT SHALL BE GROUND OUT TO A DEPTH OF 6" BELOW BOTTOM OF NEW SIDEWALK OR DRIVEWAY. ALL PRUNED ROOT DEBRIS SHALL BE REMOVED FROM THE SUB-BASE MATERIAL PRIOR TO POURING CONCRETE, ASPHALT, OR APPLICATION OF OTHER SPECIFIED MATERIALS. THIS WORK SHALL BE INCLUDED IN AND PAID FOR UNDER THE PAY ITEM FOR CLEARING AND GRUBBING.

27. ALL STUMPS, ROOTS, AND OTHER DEBRIS PROJECTING THROUGH OR APPEARING ON THE SURFACE OF THE GROUND SHALL BE REMOVED TO A DEPTH OF 1-FOOT BELOW THE COMPLETED SURFACE. THIS WORK SHALL BE INCLUDED IN AND PAID FOR UNDER THE PAY ITEM FOR CLEARING AND GRUBBING.

28. ALL MATERIALS NOT CLAIMED BY THE COUNTY SHALL BECOME PROPERTY OF THE CONTRACTOR, AND SHALL BE DISPOSED OF BY THE CONTRACTOR IN AREAS PROVIDED BY THE CONTRACTOR. THIS WORK SHALL BE INCLUDED IN AND PAID UNDER THE PAY ITEM CLEARING AND GRUBBING.

29. THE CONTRACTOR SHALL PROVIDE ALL SHEETING, SHORING, AND BRACING REQUIRED TO PROTECT ADJACENT STRUCTURES OR TO MINIMIZE TRENCH WIDTH. WHERE A SEPARATE PAY ITEM IS NOT PROVIDED, THE COST OF ALL SHEETING, SHORING, AND BRACING REQUIRED SHALL BE INCLUDED IN THE CONTRACT PRICE FOR THE ITEM OF WORK FOR WHICH SHEETING, SHORING, AND BRACING IS REQUIRED.

30. THE CONTRACTOR SHALL DISTURB NO MORE GROUND THAN WHAT IS NECESSARY FOR CONSTRUCTION. NO OPEN EXCAVATED TRENCH, OR OTHER UNSAFE CONDITION WILL BE LEFT OVERNIGHT. ALL WORK SITES WILL BE COMPLETELY RESTORED WITHIN SEVEN (7) CALENDAR DAYS OF THE CONCRETE POUR FOR SIDEWALK. THE INTENT OF THIS PROVISION IS TO "SAFE-UP" THE PROJECT SITE AS WORK PROGRESSES, AND SHALL INCLUDE REMOVING FORMS, FILLING HOLES, GRADING, AND REMOVAL OF DEBRIS.

31. ALL EXISTING SIGNS WITHIN THE PROJECT LIMITS SHALL REMAIN UNLESS OTHERWISE NOTED IN THE PLANS, OR AS DIRECTED BY THE ENGINEER.

32. ANY EXISTING SIGN TO REMAIN THAT IS DISTURBED OR RELOCATED DURING CONSTRUCTION SHALL BE RESET TO CURRENT STANDARDS FOR HEIGHT, OFFSET, AND METHOD OF INSTALLATION AT NO ADDITIONAL COST TO THE COUNTY.
33. ALL EXISTING SWALES NOT DESIGNATED FOR RECONSTRUCTION SHALL BE REGRADED TO PROMOTE POSITIVE DRAINAGE AND MATCH PROPOSED CENTERLINE SWALE ELEVATION AND ALIGNMENT.
34. ALL STORM DRAINS AND STRUCTURES TO REMAIN SHALL BE CLEANED OF DEBRIS, DIRT, VEGETATION AND OTHER MATERIAL. STORM SEWER INLETS SHALL BE MODIFIED (RAISED/LOWEDED) TO MATCH PROPOSED FINISHED GRADE.
35. ALL EXISTING FENCES DISTURBED DURING CONSTRUCTION SHALL BE REPAIRED OR REPLACED AND REINSTALLED BY THE CONTRACTOR AT NO ADDITIONAL COST. (EXISTING FENCES WITHIN R/W TAKING LIMITS SHALL BE RECONSTRUCTED TO THE NEW R/W LINE AND ARE TO BE REIMBURSED UNDER THE MISCELLANEOUS BID ITEM).
36. ALL EXISTING TREES LOCATED WITHIN R/W LIMITS SHALL BE REMOVED EXCEPT TREES BETWEEN STA. 34+00 TO 48+00 (LEFT SIDE).
37. ALL EXISTING STORM DRAINAGE STRUCTURES SHALL REMAIN UNLESS OTHERWISE NOTED.
38. ALL EXISTING BUILDINGS SHALL REMAIN UNLESS OTHERWISE NOTED.
39. REMOVE AND REPLACE BASE AND SUB-BASE ACCORDING TO FDOT STANDARDS

CONTACTS

MANATEE COUNTY PUBLIC WORKS DEPT.  
DAN SHANAHAN  
INFRASTRUCTURE ENGINEERING  
CHRIS L. MOWBRAY, P.E.  
1022 26TH AVENUE EAST  
BRADENTON, FL 34208  
(941) 708-7450 EXT. 7605  
FAX: (941) 708-7431

TECO/PEOPLES GAS CO.  
DAN SHANAHAN  
8261 VICO COURT  
SARASOTA, FL 34240  
(941) 342-4030  
FAX: (941) 342-4011  
EMERGENCY: 1-877-832-6911  
dshanahan@tecoenergy.com

SUNSHINE STATE ONE CALL OF FLORIDA  
1-(800) 432-4770

VERIZON FLORIDA INC.  
WAYNE SUMNER  
1701 RINGLING BLVD.  
SARASOTA, FL 34236  
(941) 330-9203  
WAYNE.SUMNER@verizon.com

FLORIDA POWER & LIGHT DISTRIBUTION  
GREG COKER  
1253 12TH AVENUE EAST  
PALMETTO, FL 34221  
(941) 723-4430  
FAX: (941) 723-4444  
EMERGENCY: 1-800-4-OUTAGE  
Greg.Coker@fpl.com

FLORIDA POWER & LIGHT TRANSMISSION  
PETER H. WASHIO  
700 UNIVERSE BLVD. TS4/JW  
JUNO BEACH, FL 33408  
Peter.H.Washio@fpl.com

MANATEE COUNTY HEALTH DEPT.  
HANS C. ROESE  
410 6TH AVENUE EAST  
BRADENTON, FL 34208  
(941) 748-0747 EXT. 1342  
FAX: (941) 750-9364  
hans\_roese@doh.state.fl.us

SOUTHWEST FLORIDA WATER MANAGEMENT DISTRICT  
SARASOTA SERVICE OFFICE  
DARYL R. FLATT, P.E.  
6750 FRUITVILLE ROAD  
SARASOTA, FL 34240  
(941) 377-3722  
FAX: (941) 373-7660

FLORIDA GAS TRANSMISSION SAFETY HARBOR TEAM  
7804 ANDERSON RD.  
TAMPA, FL 33634  
CHRIS LEE  
(813) 466-3327  
CELL : (727) 639-7512  
christopher.lee@sug.com

BRIGHT HOUSE NETWORKS  
TOM WRIGHT  
5413 E. STATE ROAD 64  
BRADENTON, FL 34208-5535  
(941) 748-3816 EXT. 21348  
tom.wright@mybrighthouse.com

DEPARTMENT OF ENVIRONMENTAL PROTECTION  
STEPHANIE BARIOS  
13051 N. TELECOM PKWY  
TEMPLE TERRACE, FL 33637  
PHONE: (813) 632-7600, EXT. 408  
FAX: (813) 632-7662

PEACE RIVER ELECTRIC COOPERATIVE, INC.  
P.O. BOX 1310  
WACHULA, FL 33873  
KENDELL COKER  
(863) 767-4660  
kendell.coker@preco.coop

MANATEE COUNTY PUBLIC WORK DEPT.  
TRAFFIC ENGINEERING  
PAUL VILLALUZ, P.E.  
(941) 749-3500 EXT. 7859  
FAX: (941) 749-3571

**LEGEND**

**EXISTING**

- BENCH MARK
- CONCRETE MONUMENT
- IRON PIPE
- IRON ROD
- HUB
- MAIL & DISK
- ELEVATION
- PARCEL ID NO.
- PARCEL ID NO.
- LOT NO.
- GUY WIRE
- POWER POLE
- LIGHT POLE
- MAIL BOX
- SIGN
- REFLECTOR
- SPRINKLER
- GAS MARKER
- BACKFLOW PREVENTER
- FIRE HYDRANT
- WATER VALVE
- AIR RELEASE VALVE
- WATER METER
- SANITARY SEWER MANHOLE
- SANITARY SEWER CLEAN OUT
- SOIL BORING LOCATION
- TELEPHONE SERVICE BOX
- FLOW DIRECTION
- GRATE INLET
- MITERED END SECTION

**PROPOSED**

- MAIN
- SERVICE LINE
- PROPOSED EASEMENT
- FIRE HYDRANT VALVE
- SANITARY SEWER MANHOLE
- BLOW OFF ASSEMBLY
- REDUCER
- TEE
- HORIZONTAL BEND
- VERTICAL BEND
- PLUG
- MASTER METER ASSEMBLY
- SERVICE LINE & METER
- DOUBLE SERVICE

**ABBREVIATIONS**

- R/W RIGHT OF WAY
- CONC CONCRETE
- ASPH ASPHALT
- DRWY DRIVEWAY
- SWK SIDEWALK
- EP EDGE OF PAVEMENT
- BOC BACK OF CURB

**LEGEND**

**PROPOSED**

- BUSH
- TREE
- OAK TREE
- PALM TREE
- PINE TREE
- EDGE OF VEGETATION
- CHAIN LINK FENCE
- WOOD FENCE
- BARBED WIRE FENCE
- FORCE MAIN
- POTABLE WATER
- RECLAIMED WATER
- SANITARY SEWER
- STORM DRAIN
- GAS LINE
- OVERHEAD\_CABLE\_TV
- BURIED\_CABLE\_TV
- OVERHEAD\_ELECTRIC
- BURIED\_ELECTRIC
- OVERHEAD\_VERIZON
- BURIED\_VERIZON
- VERIZON
- BURIED\_UTILITY
- OVERHEAD UTILITY
- RAIL ROAD TRACKS
- EDGE OF CONCRETE
- EDGE OF ROAD
- TOE OF SLOPE
- TOP OF BANK
- PROPERTY LINE
- RIGHT OF WAY



PUBLIC WORKS DEPARTMENT  
ENGINEERING SERVICES  
1022 26th Avenue East, Bradenton, FL 34208

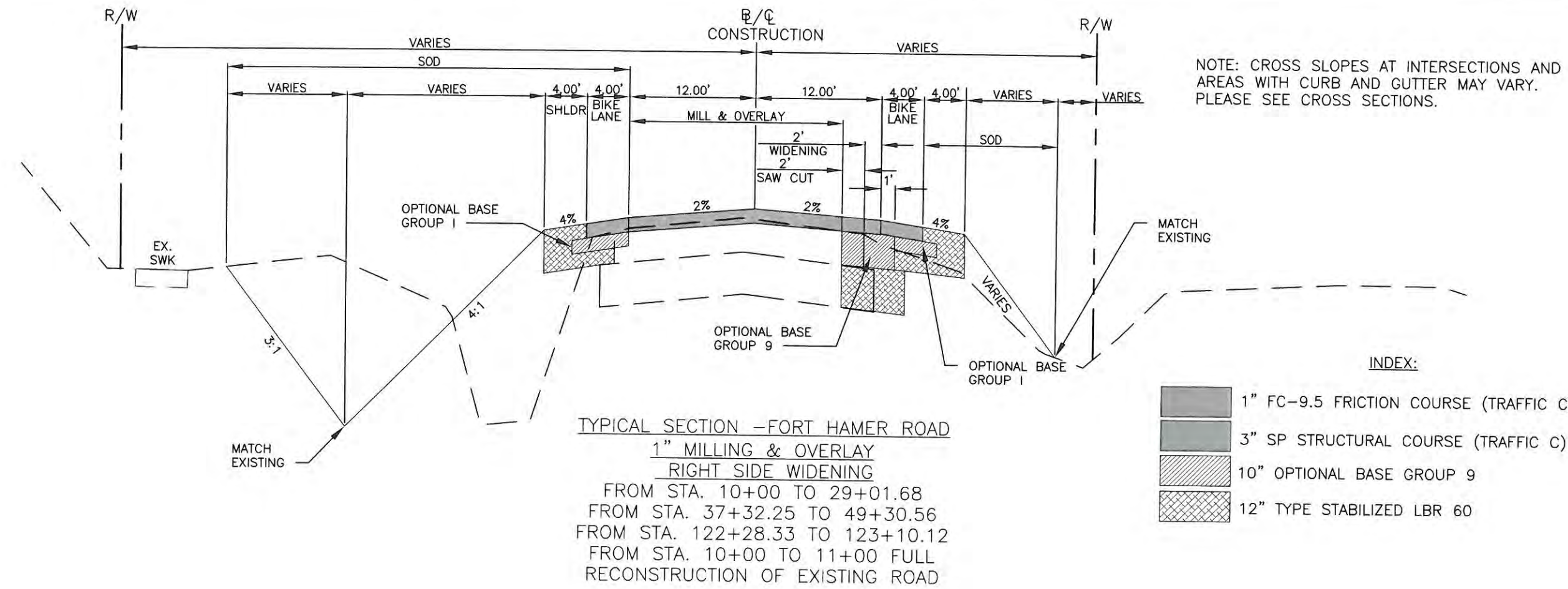
**MANATEE COUNTY, FL**  
**US 301 TO FUTURE FORT HAMER**  
**BRIDGE**  
**GENERAL NOTES & LEGEND**

NO.	REVISION DESCRIPTION	BY	DATE

PROJECT #	323-6054764
SURVEY	---
SEC./TWN./RGE	7/35S/18E
SCALE	N.T.S.
BY _____ DATE _____	
SURVEYED	---
DESIGNED	AAM
DRAWN	TMF/GB
CHECKED	JP/CB 09/2014
CHRIS L. MOWBRAY, P.E.	
FLORIDA P.E. # 46777	
 Signature & Date 11/5/14	

**FORT HAMER ROAD  
US 301 TO FUTURE FORT HAMER  
BRIDGE  
TYPICAL SECTIONS**

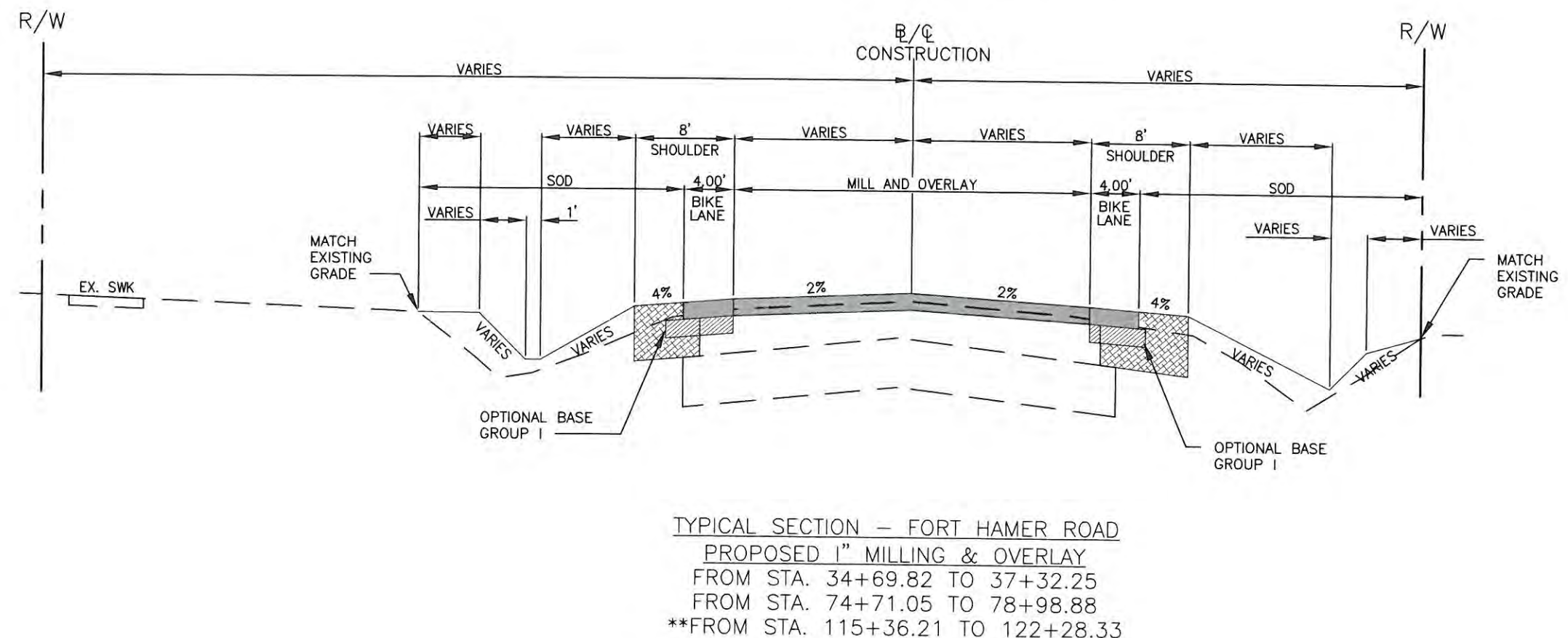


NOTE: CROSS SLOPES AT INTERSECTIONS AND AREAS WITH CURB AND GUTTER MAY VARY. PLEASE SEE CROSS SECTIONS.

INDEX:

- 1" FC-9.5 FRICTION COURSE (TRAFFIC C)
- 3" SP STRUCTURAL COURSE (TRAFFIC C)
- 10" OPTIONAL BASE GROUP 9
- 12" TYPE STABILIZED LBR 60

**TYPICAL SECTION - FORT HAMER ROAD**  
**1" MILLING & OVERLAY**  
**RIGHT SIDE WIDENING**  
FROM STA. 10+00 TO 29+01.68  
FROM STA. 37+32.25 TO 49+30.56  
FROM STA. 122+28.33 TO 123+10.12  
FROM STA. 10+00 TO 11+00 FULL  
RECONSTRUCTION OF EXISTING ROAD



**TYPICAL SECTION - FORT HAMER ROAD**  
**PROPOSED 1" MILLING & OVERLAY**  
FROM STA. 34+69.82 TO 37+32.25  
FROM STA. 74+71.05 TO 78+98.88  
\*\*FROM STA. 115+36.21 TO 122+28.33

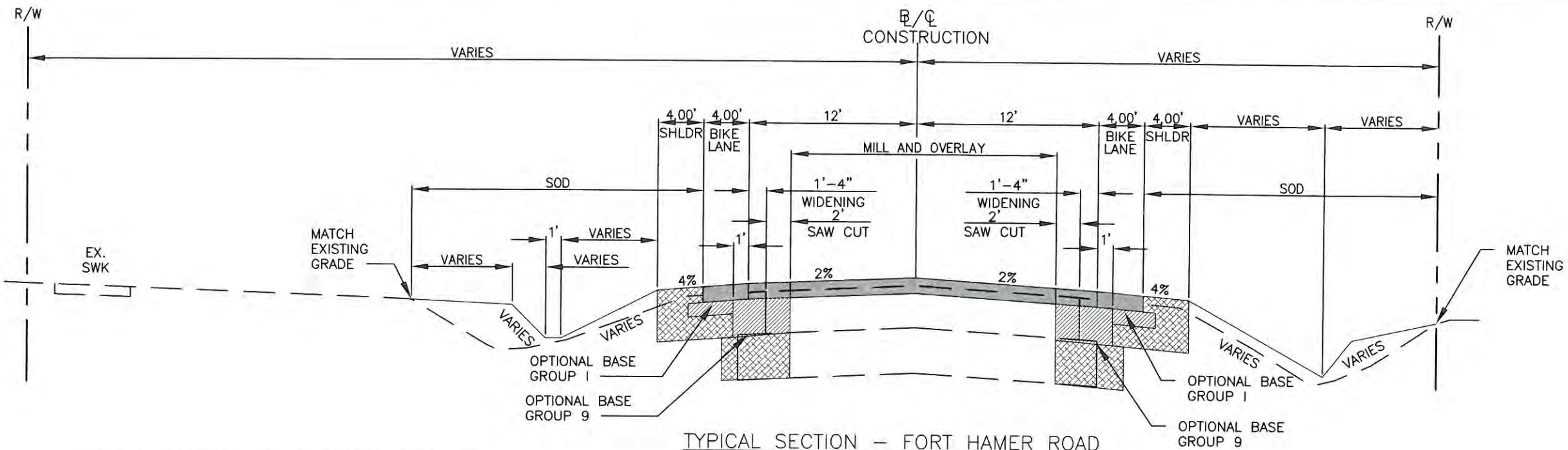
\*\* PROPOSED 5' SIDEWALK WITH HANDRAIL ON THE LEFT SIDE AT SHOULDER POINT. NO EXISTING SIDEWALK ON THESE AREAS. PLEASE SEE CROSS SECTIONS.

NO.	REVISION DESCRIPTION	BY	DATE

PROJECT #	323-6054764
SURVEY #	6982
SEC./TWN./RGE	7/35S/18E
SCALE	N.T.S.
DESIGNED BY	ZNS
DESIGNED DATE	03/2013
DRAWN BY	AAM
DRAWN DATE	03/2013
CHECKED BY	JP/GB
CHECKED DATE	08/2014
CHRIS L. MOWBRAY, P.E.	
FLORIDA P.E. #	46727
Signature & Date	<i>[Signature]</i> 11/5/14

**FORT HAMER ROAD  
US 301 TO FUTURE FORT HAMER  
BRIDGE  
TYPICAL SECTIONS**

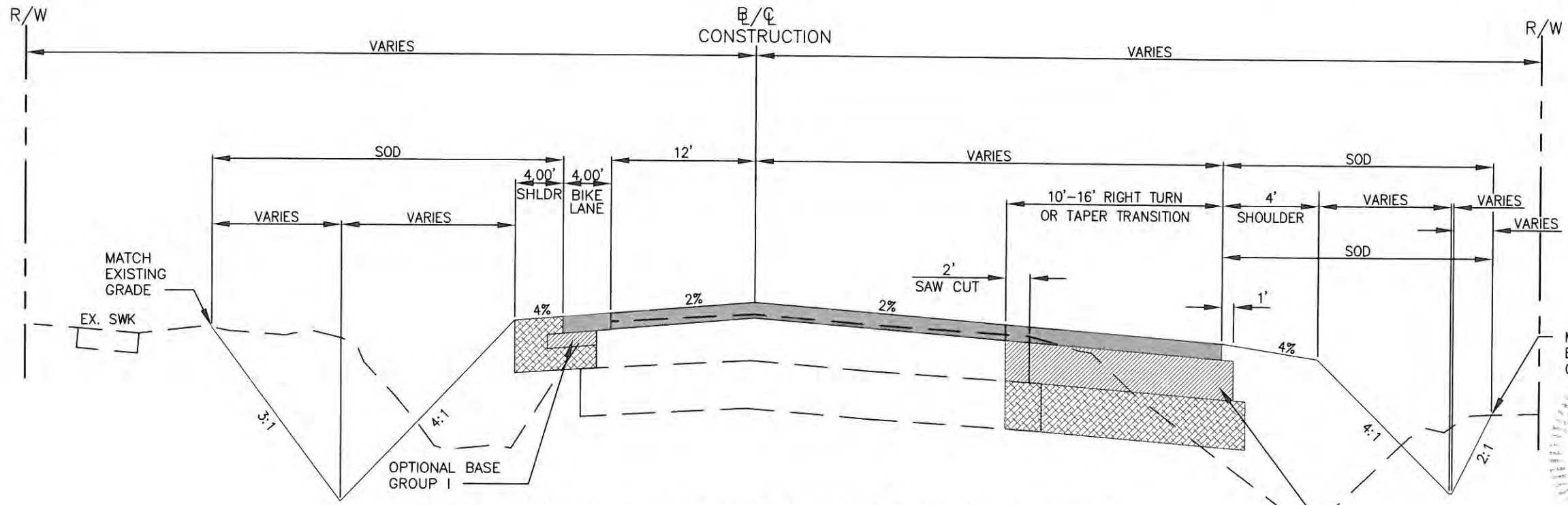


NOTE: CROSS SLOPES AT INTERSECTIONS AND AREAS WITH CURB AND GUTTER MAY VARY. PLEASE SEE CROSS SECTIONS.

**TYPICAL SECTION - FORT HAMER ROAD**  
1" MILLING & OVERLAY 1' WIDENING & 2' SAW CUT ON EACH SIDE  
FROM STA. 29+01.68 TO 31+83.76  
FROM STA. 57+44.85 TO 60+27.29  
FROM STA. 87+92.72 TO 92+91.72  
\*FROM STA. 102+59.50 TO 111+00  
\*FROM STA. 123+10.12 TO 142+20

\*PROPOSED 5' SIDEWALK AT SHOULDER POINT. NO EXISTING SIDEWALK ON THESE AREAS. PLEASE SEE CROSS SECTIONS

- INDEX:**
- 1" FC-9.5 FRICTION COURSE (TRAFFIC C)
  - 3" SP STRUCTURAL COURSE (TRAFFIC C)
  - 10" OPTIONAL BASE GROUP 9
  - 12" TYPE STABILIZED LBR 60



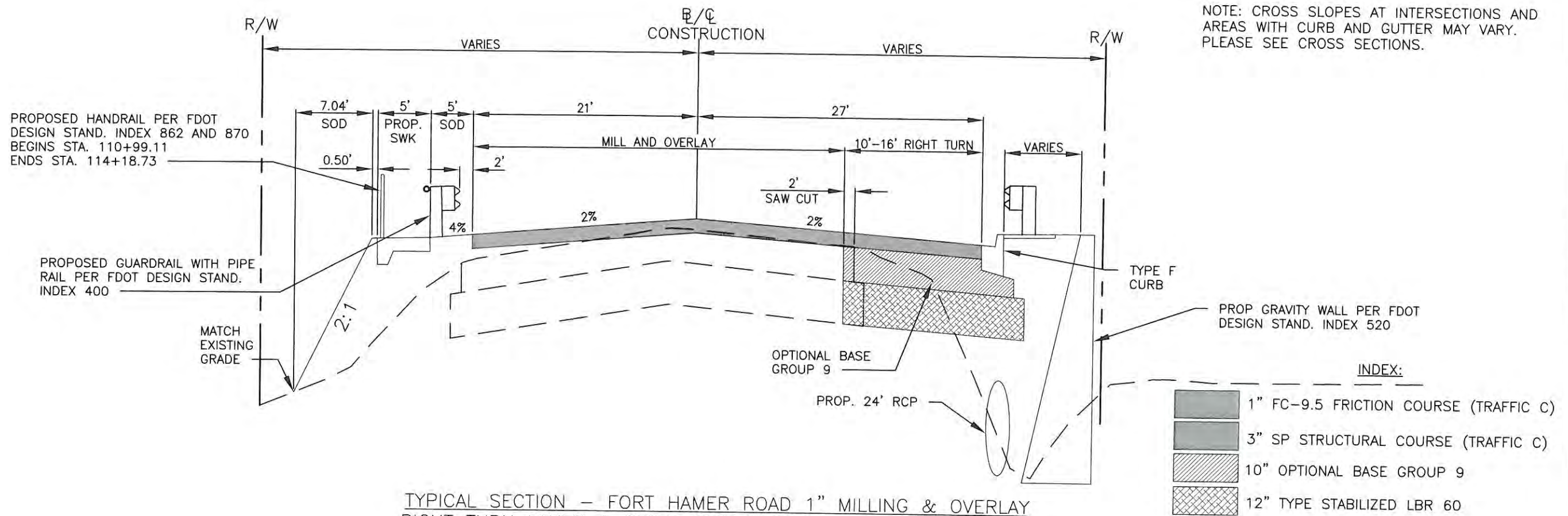
**TYPICAL SECTION - FORT HAMER ROAD 1" MILLING & OVERLAY**  
**RIGHT TURN LANES**  
FROM STA. 31+83.76 TO 34+69.82

NO.	REVISION DESCRIPTION	BY	DATE

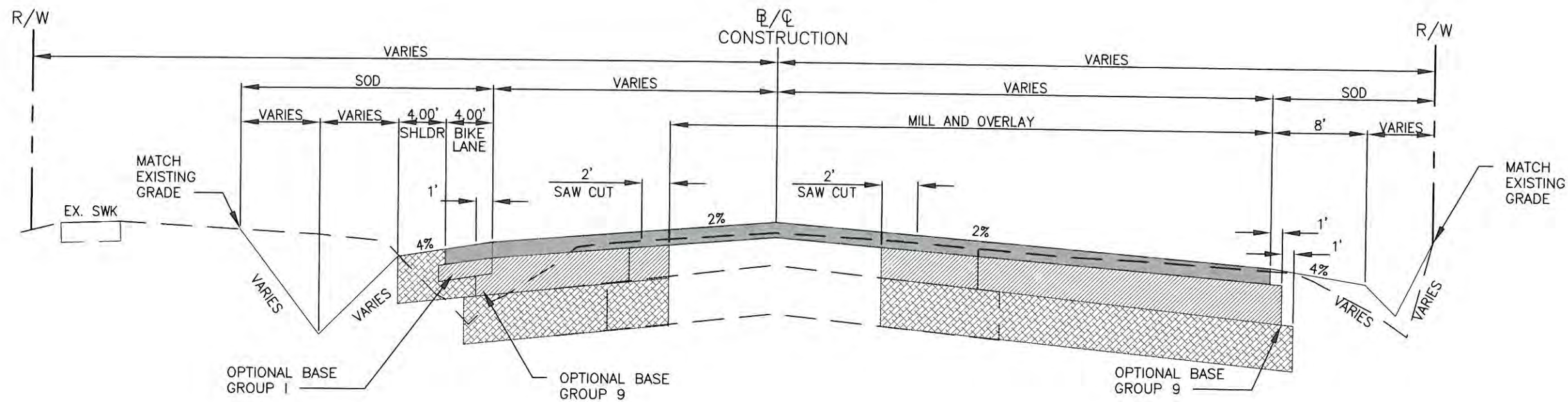
  

PROJECT #	323-6054764
SURVEY #	6982
SEQ. TOWN/RGE	7/35S/18E
SCALE	N.T.S.
DESIGNED BY	AAM 03/2013
DRAWN BY	AAM 03/2013
CHECKED BY	JP/G 09/2014
DESIGNED BY	CHRIS L. MOWBRAY, P.E.
FLORIDA P.E. #	46777
Signature & Date	1/5/14

NOTE: CROSS SLOPES AT INTERSECTIONS AND AREAS WITH CURB AND GUTTER MAY VARY. PLEASE SEE CROSS SECTIONS.



TYPICAL SECTION – FORT HAMER ROAD 1" MILLING & OVERLAY  
RIGHT TURN LANES & RIGHT SIDE WIDENING WITH GRAVITY WALL  
FROM STA. 111+00 TO 115+36.21



TYPICAL SECTION – FORT HAMER ROAD 1" MILLING & OVERLAY.  
LEFT, RIGHT & TAPER TRANSITIONS TURNS LANES WIDENING  
FROM STA. 49+30.56 TO 57+44.85  
FROM STA. 79+85.81 TO 81+90.46  
FROM STA. 92+91.72 TO 98+17.20

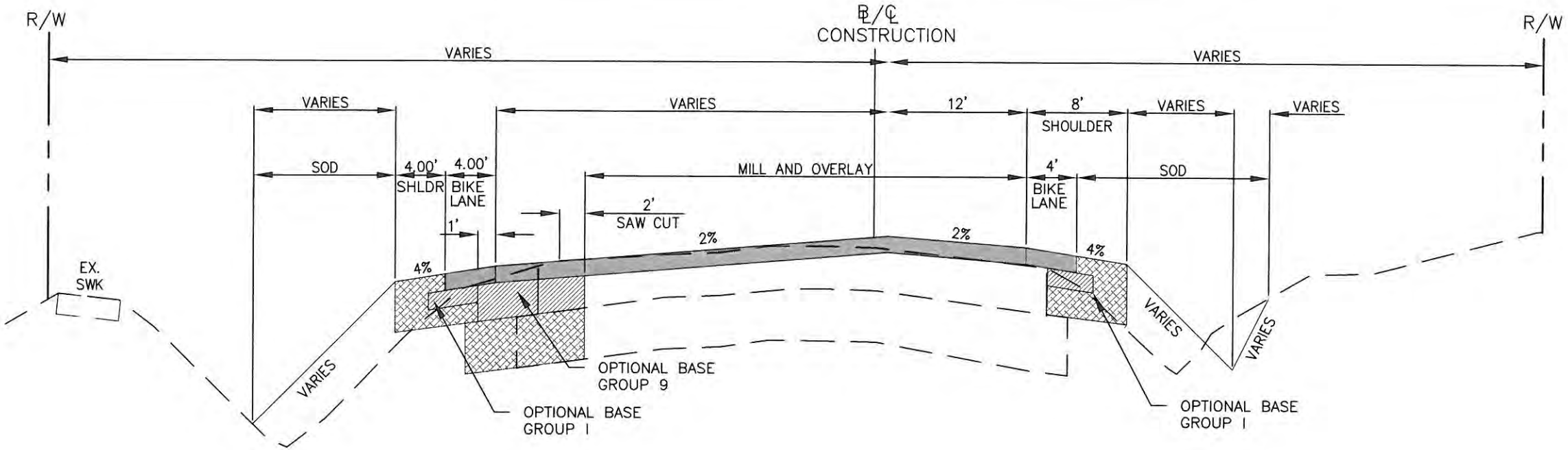
**FORT HAMER ROAD**  
**US 301 TO FUTURE FORT HAMER**  
**BRIDGE**  
**TYPICAL SECTIONS**

NO.	DATE

PROJECT #	323-6054764
SURVEY #	6982
SEC./TWN./RGE	7/35S/18E
SCALE	N.T.S.
DESIGNED BY	DATE
SURVEYED	ZNS
DESIGNED	AMM 03/2013
DRAWN	AMM 03/2013
CHECKED	JP/GB 09/2014
DATE	11/5/14
SIGNATURE	CHRIS L. MOWBRAY - P.E.
FLORIDA P.E. #	46777
SIGNATURE & DATE	

S:\p\l\_engineering\_shares\highway\_engineering\ROADS\fort\_hamer\_road\DWG\FH\_TYP\_SECTION.dwg, 11/4/2014 1:57 PM Thom Fenecher, 1:1, 11x17

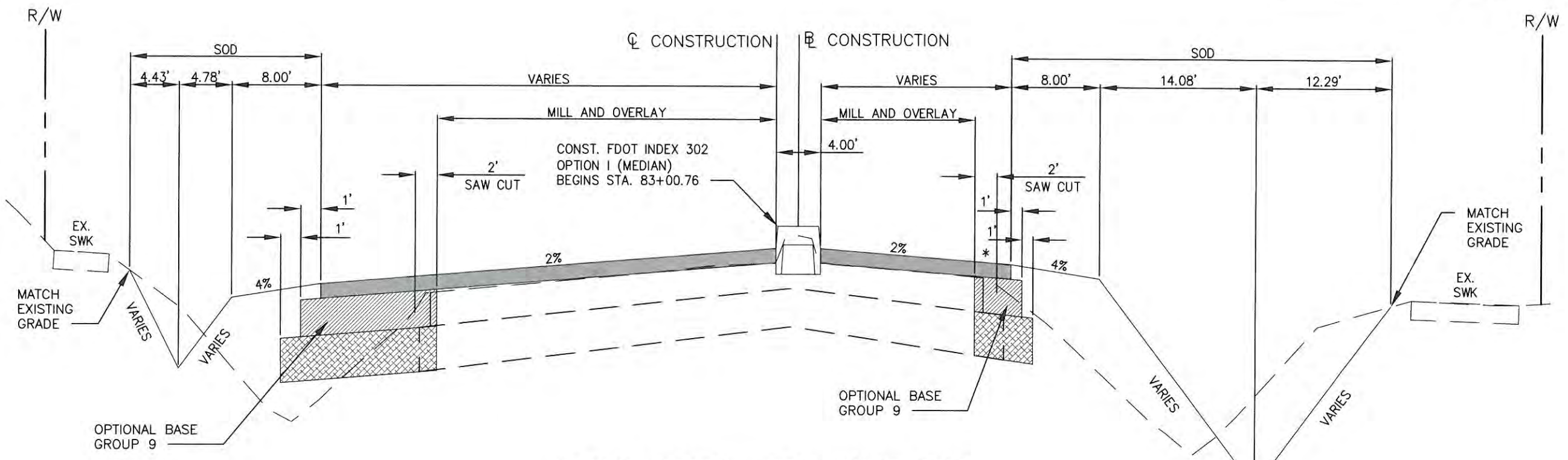
**FORT HAMER ROAD  
BRIDGE  
US 301 TO FUTURE FORT HAMER  
TYPICAL SECTIONS**



NOTE: CROSS SLOPES AT INTERSECTIONS AND AREAS WITH CURB AND GUTTER MAY VARY. PLEASE SEE CROSS SECTIONS.

**TYPICAL SECTION - FORT HAMER ROAD 1" MILLING & OVERLAY AND OVERLAY LEFT SIDE WIDENING FROM STA. 78+98.88 TO 79+85.81**

- INDEX:**
- 1" FC-9.5 FRICTION COURSE (TRAFFIC C)
  - 3" SP STRUCTURAL COURSE (TRAFFIC C)
  - 10" OPTIONAL BASE GROUP 9
  - 12" TYPE STABILIZED LBR 60



**TYPICAL SECTION - FORT HAMER ROAD 1" MILLING & OVERLAY, RIGHT TURN LANE WIDENING & MEDIAN REPLACEMENT FROM STA. 82+63.72 TO 87+92.72**

\* 1' WIDENING BEGINS STA. 85+40 (RIGHT SIDE) SEE CROSS SECTIONS

NO.	DATE	REVISION DESCRIPTION

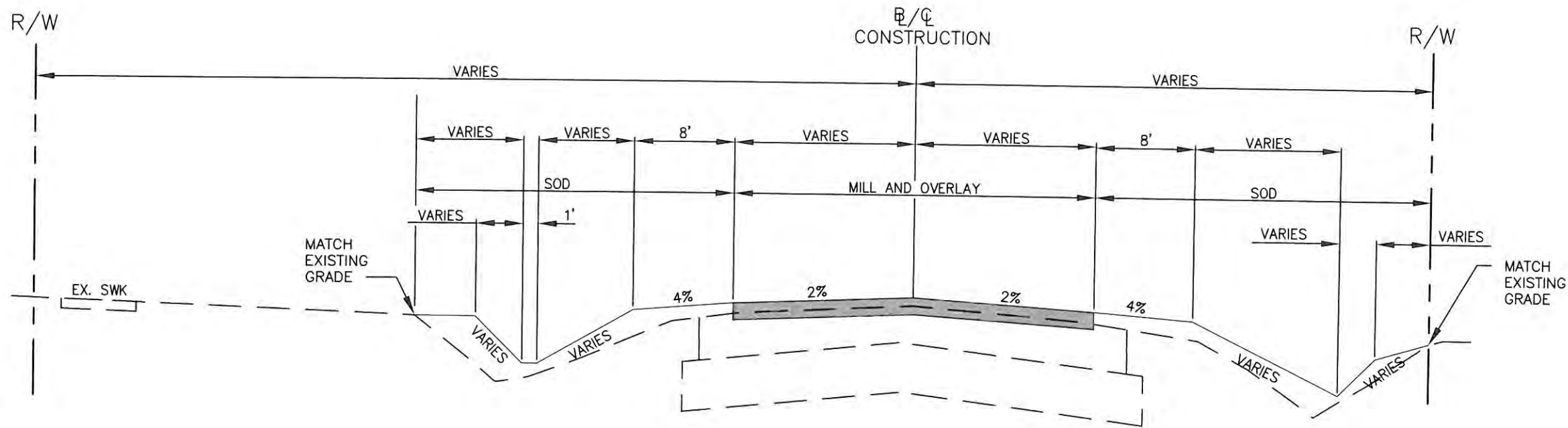
PROJECT #	323-6054764
SURVEY #	6982
SEC./TWN./RGE	7/35S/18E
SCALE	N.T.S.
DESIGNED	AAM 03/2013
DRAWN	AAM 03/2013
CHECKED	JP/BB 08/2014



Signature & Date



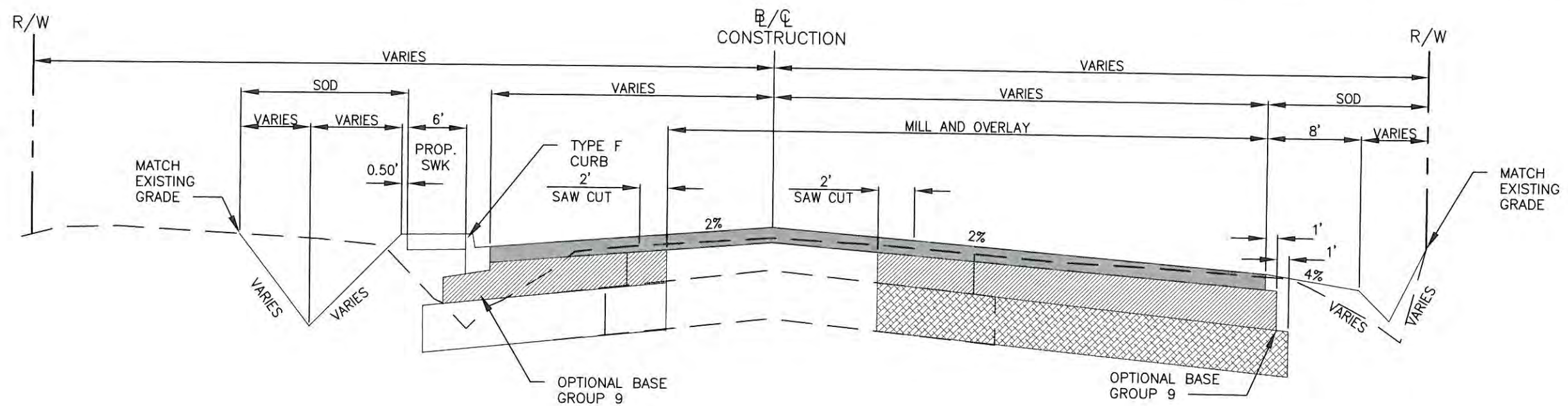
**FORT HAMER ROAD**  
**US 301 TO FUTURE FORT HAMER**  
**BRIDGE**  
**TYPICAL SECTIONS**



NOTE: CROSS SLOPES AT INTERSECTIONS AND AREAS WITH CURB AND GUTTER MAY VARY. PLEASE SEE CROSS SECTIONS.

**TYPICAL SECTION - FORT HAMER ROAD**  
**PROPOSED 1" MILLING & OVERLAY**  
 FROM STA. 60+27.29 TO 74+71.05  
 FROM STA. 81+90.46 TO 82+63.72

- INDEX:**
-  1" FC-9.5 FRICTION COURSE (TRAFFIC C)
  -  3" SP STRUCTURAL COURSE (TRAFFIC C)
  -  10" OPTIONAL BASE GROUP 9
  -  12" TYPE STABILIZED LBR 60



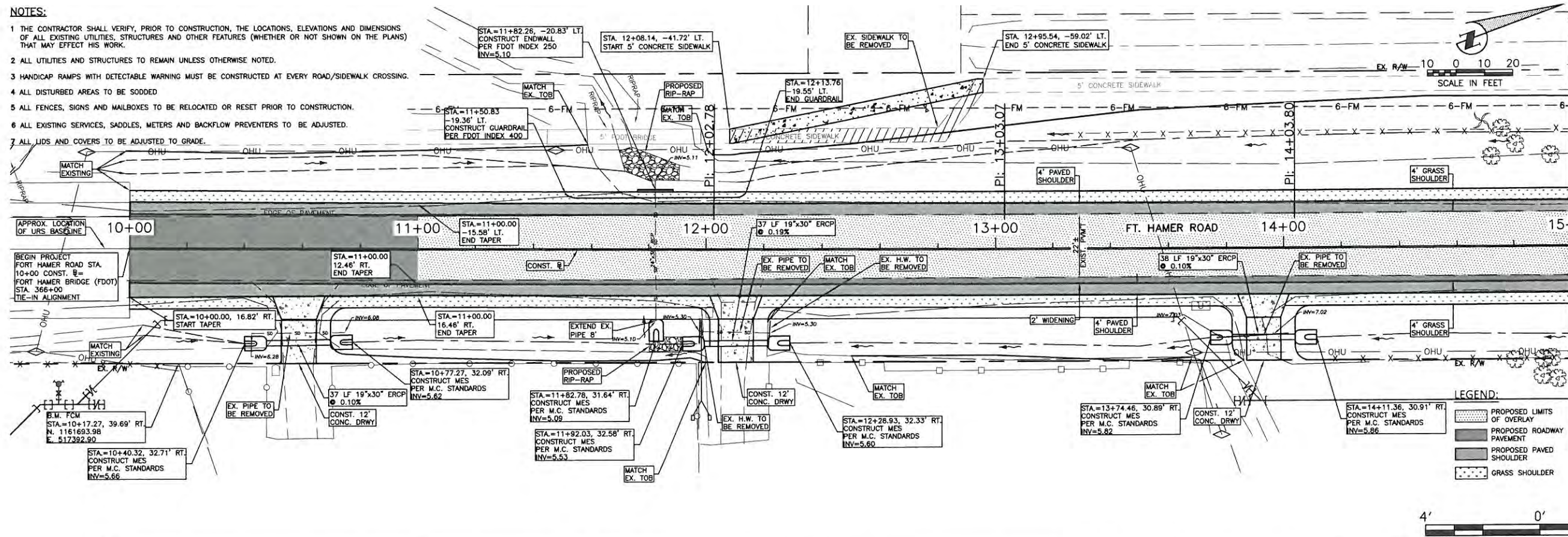
**TYPICAL SECTION - FORT HAMER ROAD 1" MILLING & OVERLAY.**  
**LEFT, RIGHT & TAPER TRANSITIONS TURNS LANES WIDENING**  
 FROM STA. 99+17.20 TO 102+59.50

NO.	DATE	BY	REVISION DESCRIPTION
PROJECT #	323-6054764		
SURVEY #	6982		
SEC./TWN./RGE	7/35S/18E		
SCALE	N.T.S.		
DESIGNED	AAM	DATE	03/2013
DRAWN	AAM	DATE	-03/2013
CHECKED	JP/GB	DATE	09/2014
CHRIS L. MOWBRAY, P.E. FLORIDA P.E. # 46777			
Signature & Date			

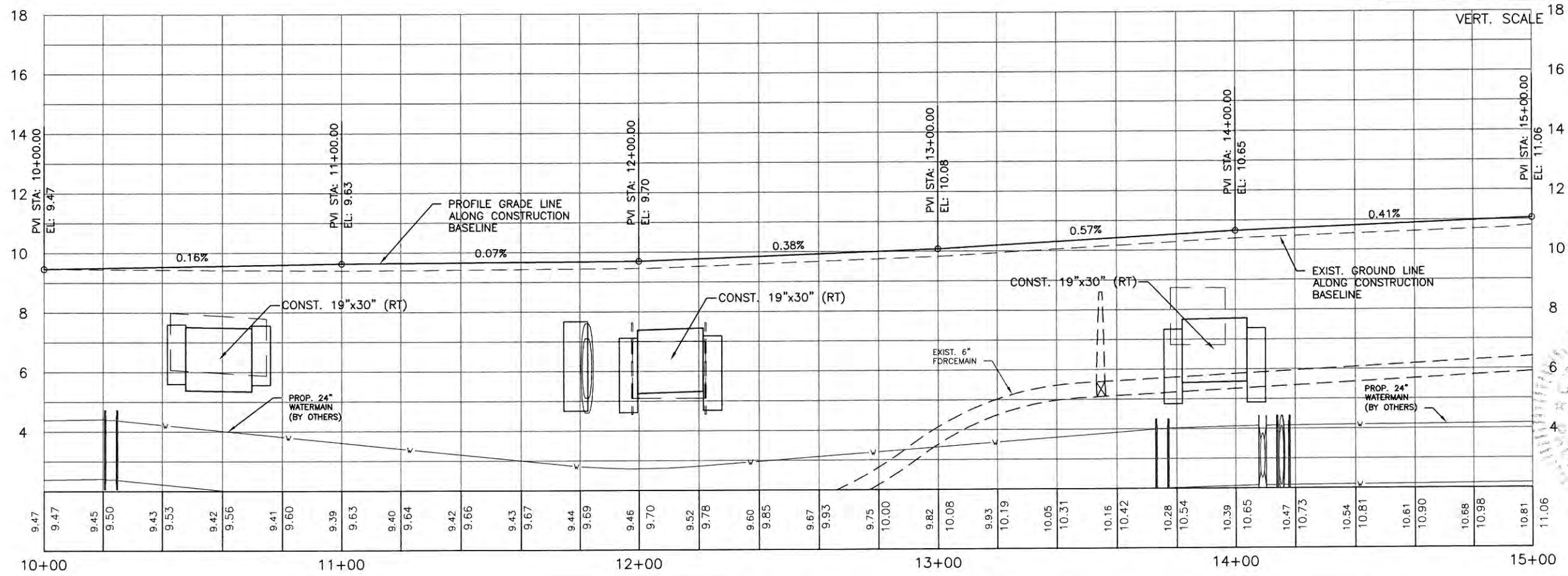
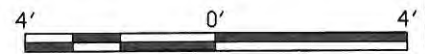


**NOTES:**

- 1 THE CONTRACTOR SHALL VERIFY, PRIOR TO CONSTRUCTION, THE LOCATIONS, ELEVATIONS AND DIMENSIONS OF ALL EXISTING UTILITIES, STRUCTURES AND OTHER FEATURES (WHETHER OR NOT SHOWN ON THE PLANS) THAT MAY AFFECT HIS WORK.
- 2 ALL UTILITIES AND STRUCTURES TO REMAIN UNLESS OTHERWISE NOTED.
- 3 HANDICAP RAMPS WITH DETECTABLE WARNING MUST BE CONSTRUCTED AT EVERY ROAD/SIDEWALK CROSSING.
- 4 ALL DISTURBED AREAS TO BE SODDED
- 5 ALL FENCES, SIGNS AND MAILBOXES TO BE RELOCATED OR RESET PRIOR TO CONSTRUCTION.
- 6 ALL EXISTING SERVICES, SADDLES, METERS AND BACKFLOW PREVENTERS TO BE ADJUSTED.
- 7 ALL LIDS AND COVERS TO BE ADJUSTED TO GRADE.



MATCH LINE STA. 15+00

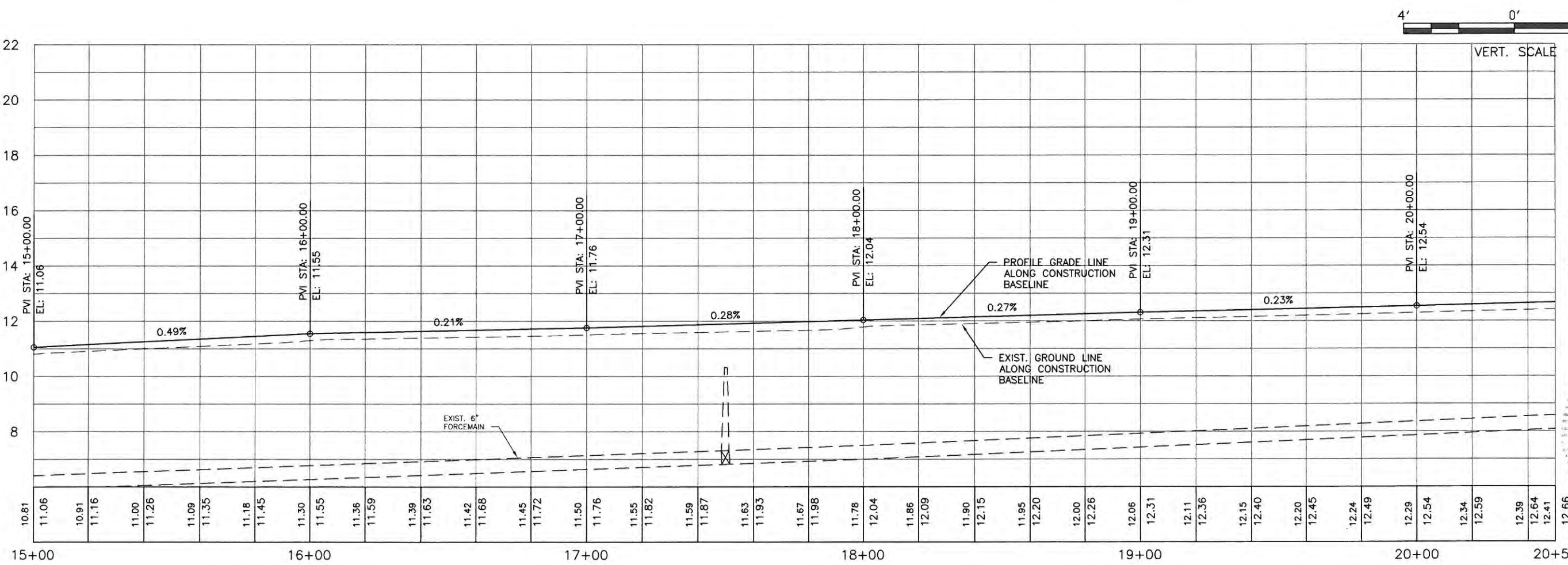
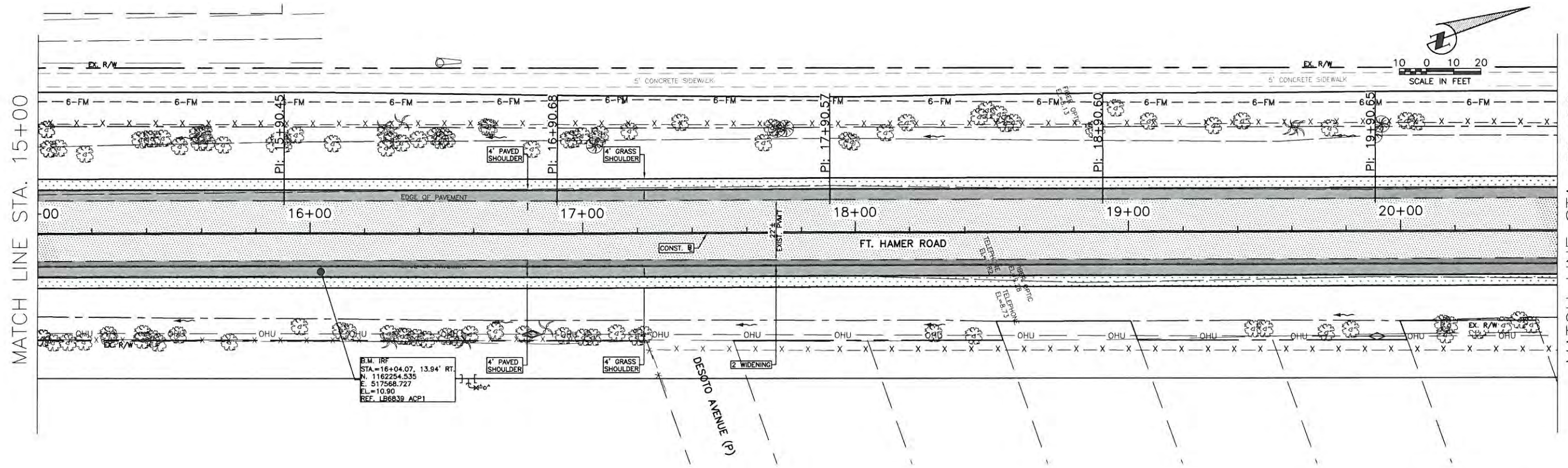


**FORT HAMER ROAD  
US 301 TO FUTURE FORT HAMER  
BRIDGE  
PLAN & PROFILE STA. 10+00 TO 15+00**

NO.	REVISION DESCRIPTION	BY	DATE

PROJECT #	323-6054764
SURVEY #	6982
SEC./TWN./RGE	7/35S/18E
SCALE	AS NOTED
BY	DATE
SURVEYED	ZNS 00/00/00
DESIGNED	AAM 09/2013
DRAWN	TMF/GB 09/2013
CHECKED	JP/GB 09/2014
CHRIS L. MOWBRAY, P.E.	
FLORIDA P.E. # 16777	
Signature & Date	



**FORT HAMER ROAD  
US 301 TO FUTURE FORT HAMER  
BRIDGE  
PLAN & PROFILE STA. 15+00 TO 20+50**

NO.	REVISION DESCRIPTION	BY	DATE

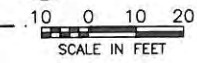
  

PROJECT #	323-6054764
SURVEY #	6982
SEC./TWN./RGE	7/35S/18E
SCALE	AS NOTED
DESIGNED	ZNS 09/06/00
DRAWN	TMF/GB 09/20/03
CHECKED	JP/GB 09/20/04
DESIGNED BY	DATE
AAM	09/20/03
TMF/GB	09/20/03
JP/GB	09/20/04

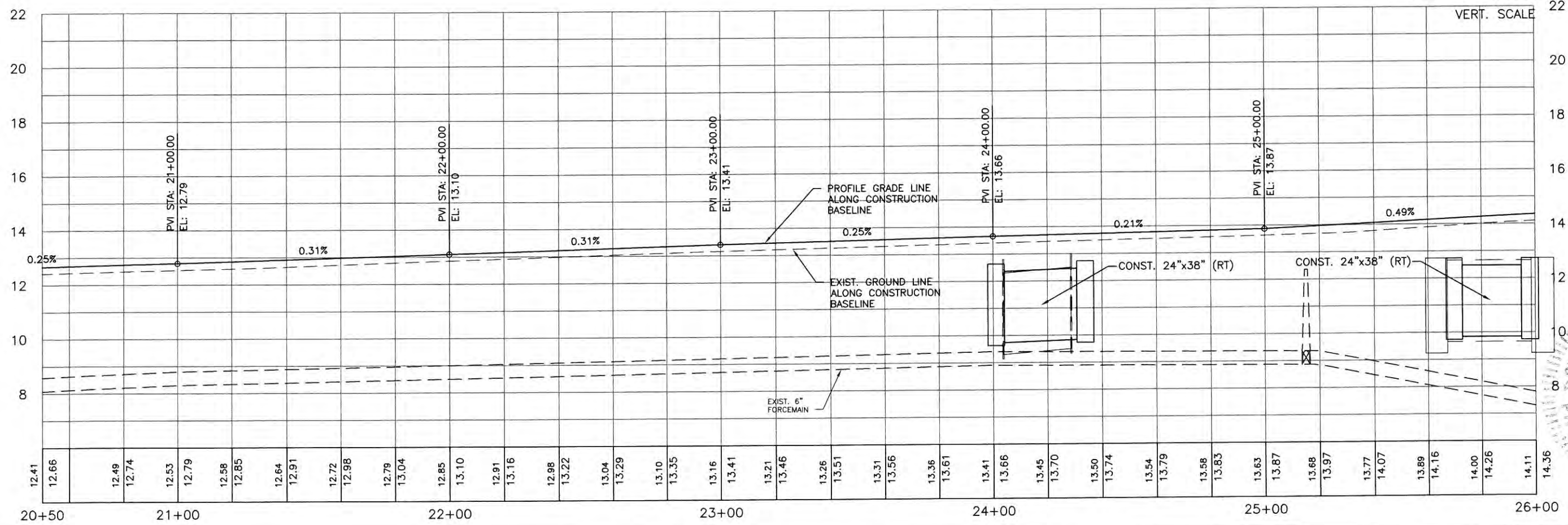
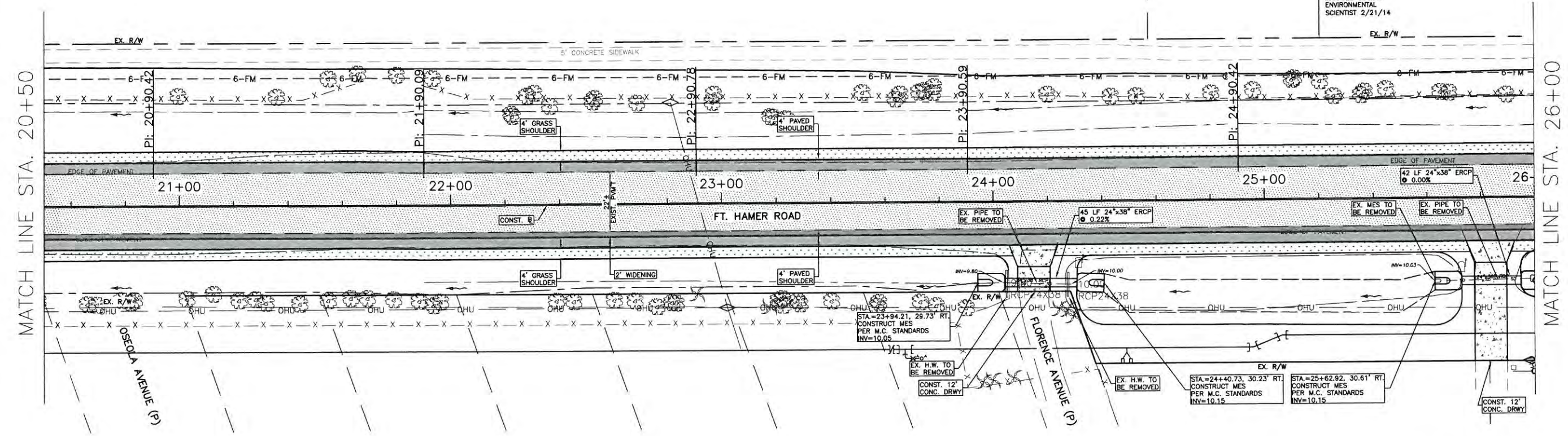
**CHRIS C. POWBRAY, P.E.**  
FLORIDA P.E. # 46772

Signature & Date

I:\data\_engineering\_stations\highway\_engineering\ROADS\fort\_hamer\_coad\DWG\CH\_P&P.dwg, 11/11/17 10:22:20 AM From: Forester, J. J.



30' TO EXISTING  
WETLAND LINE PER  
MANATEE COUNTY  
ENVIRONMENTAL  
SCIENTIST 2/21/14

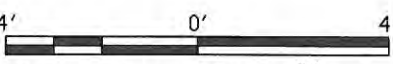
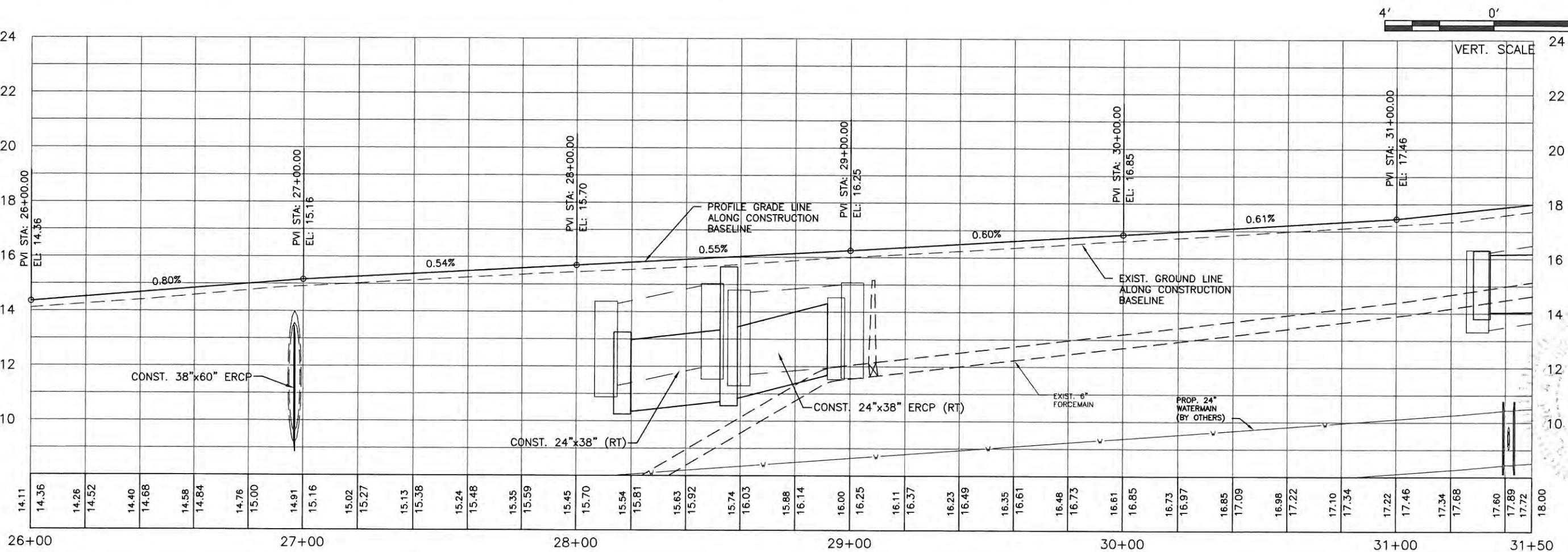
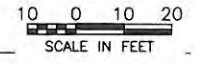
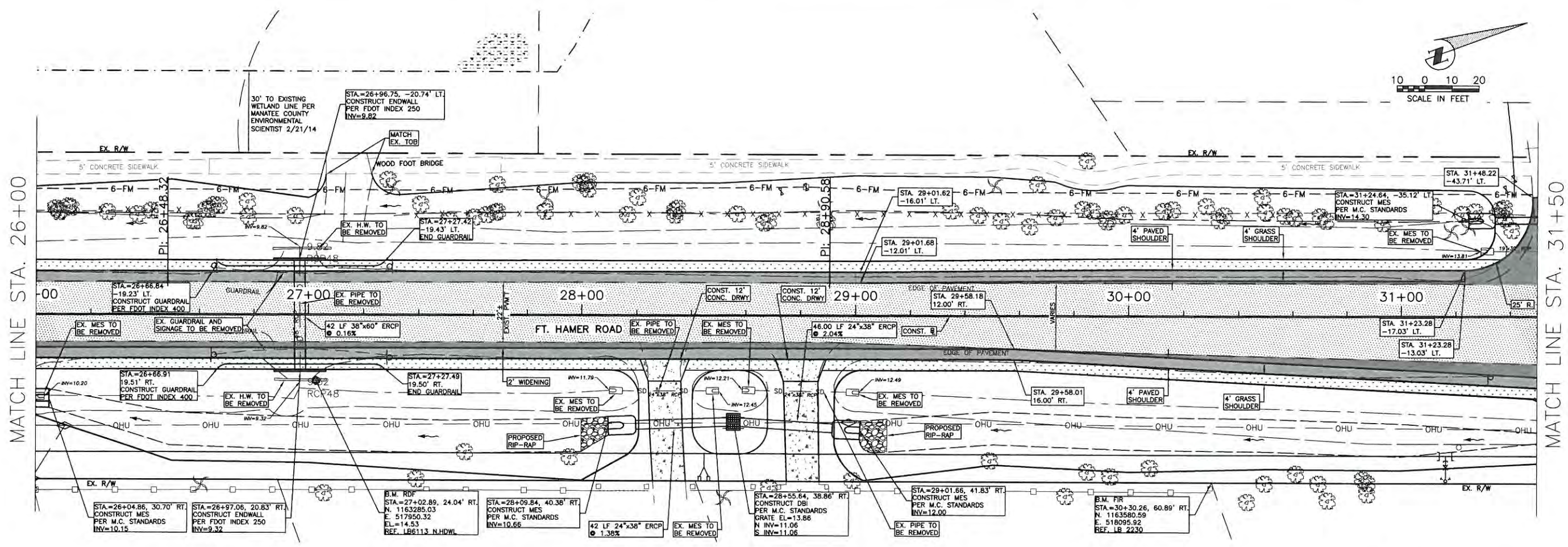


**FORT HAMER ROAD  
US 301 TO FUTURE FORT HAMER  
BRIDGE  
PLAN & PROFILE STA. 20+50 TO 26+00**

NO.	REVISION DESCRIPTION	BY	DATE

PROJECT #	323-6054764
SURVEY #	6982
SEC/TW6/R6E	7/35S/18E
SCALE	AS NOTED
SURVEYED	ZNS 00/00/00
DESIGNED	AAM '09/2013
DRAWN	TMF/GB '09/2013
CHECKED	JP/GB '09/2013
CHRIS L. MOWBRAY, P.E.	FLORIDA P.E. # 46777
Signature & Date	

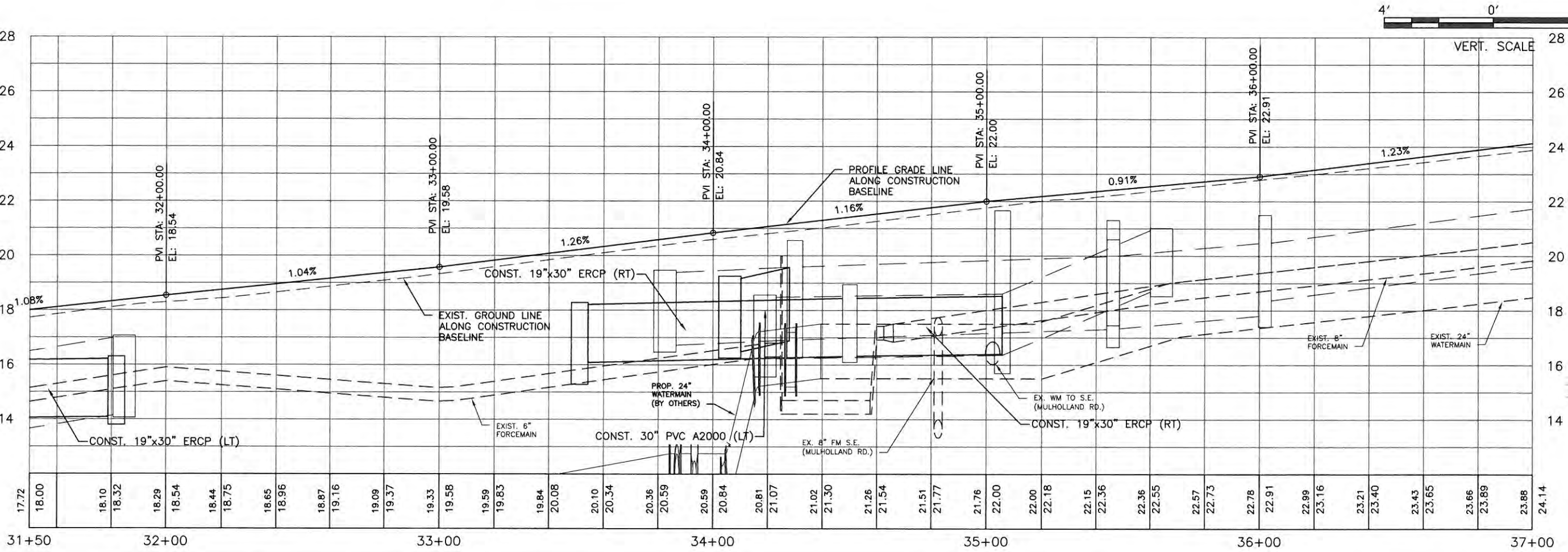
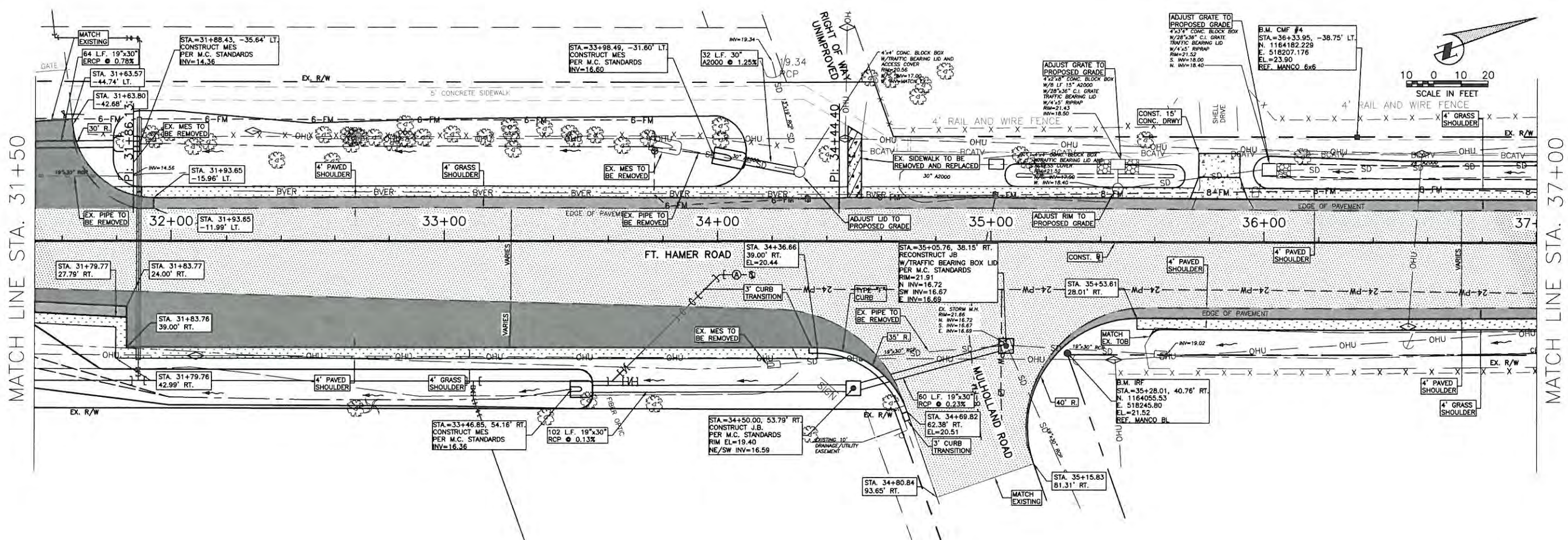


**FORT HAMER ROAD  
US 301 TO FUTURE FORT HAMER  
BRIDGE**  
PLAN & PROFILE STA. 26+00 TO 31+50

NO.	REVISION DESCRIPTION	BY	DATE

PROJECT #	323-6054764
SURVEY #	6982
SEC./TWN./RGE	7735S/18E
SCALE	AS NOTED
SURVEYED	ZNS 00/00/00
DESIGNED	AAM 09/2013
DRAWN	TME/GB 09/2013
CHECKED	JP/GB 09/2014
CHRIS L. MOWBRAY, P.E.	
FLORIDA P.E. # 46777	
Signature & Date	



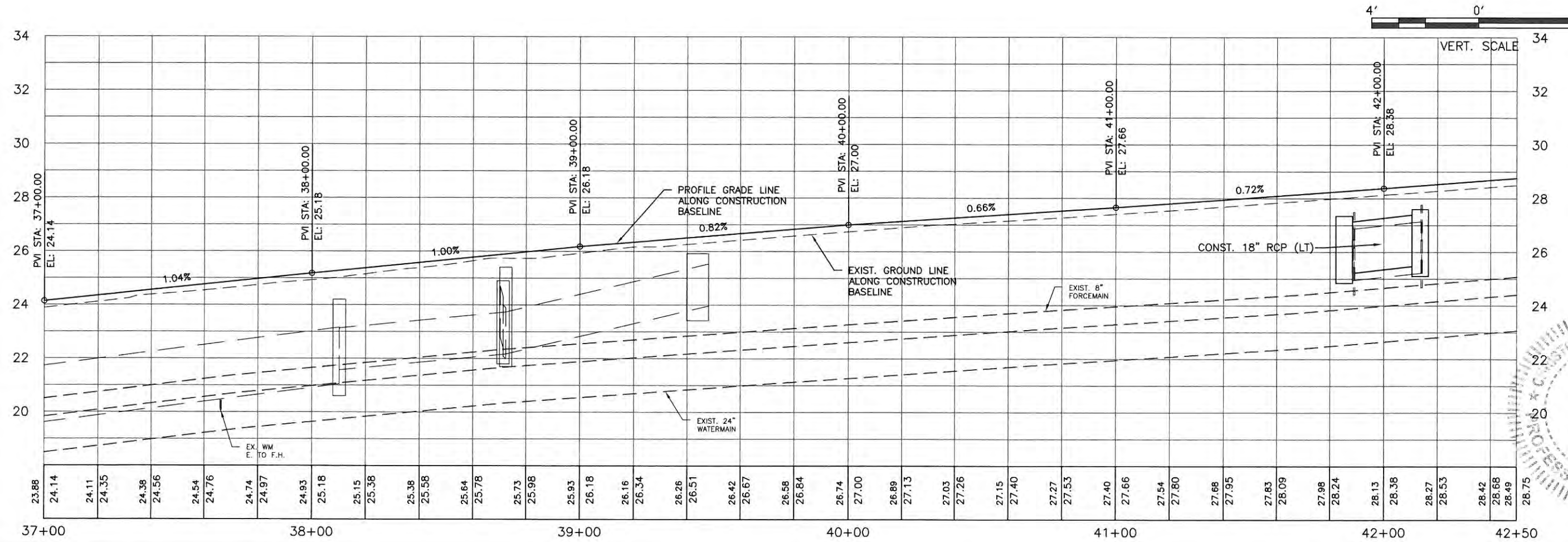
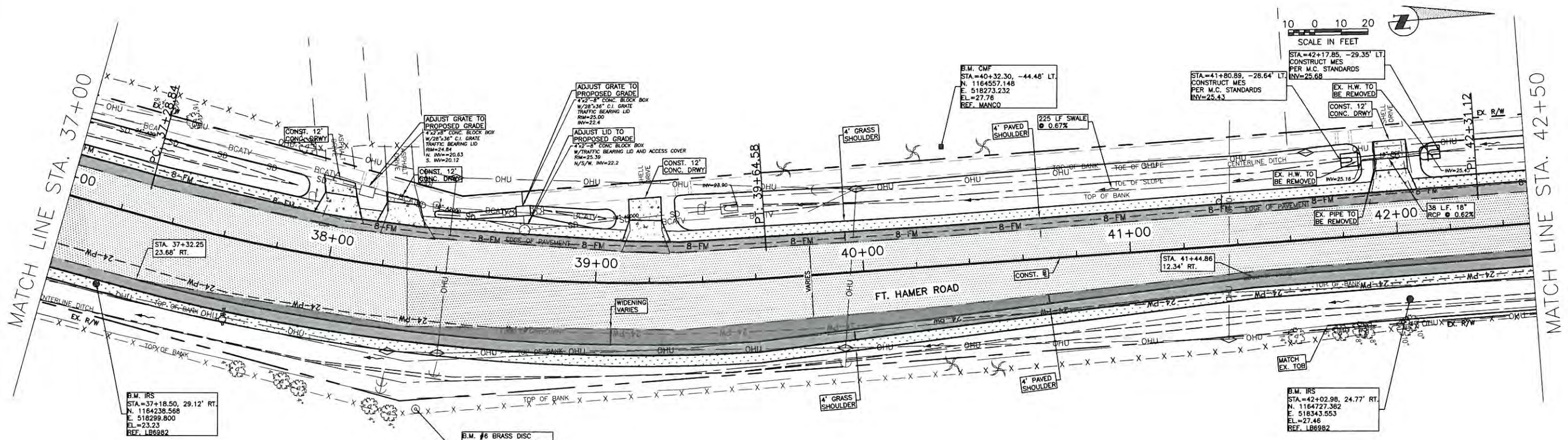
**FORT HAMER ROAD  
US 301 TO FUTURE FORT HAMER  
BRIDGE  
PLAN & PROFILE STA. 31+50 TO 37+00**

NO.	REVISION DESCRIPTION	BY	DATE

PROJECT # 323-6054764  
 SURVEY # 6992  
 SEC./TWN./RGE. 7/35S/18E  
 SCALE AS NOTED

	BY	DATE
SURVEYED	ZNS	00/00/00
DESIGNED	AAM	09/20/13
DRAWN	TMF/GB	09/20/13
CHECKED	JP/GB	09/20/14

CHRIS L. MOWBRAY, P.E.  
 FLORIDA P.E. # 46777  
*Chris Mowbray*  
 11/5/14  
 Signature & Date



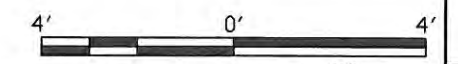
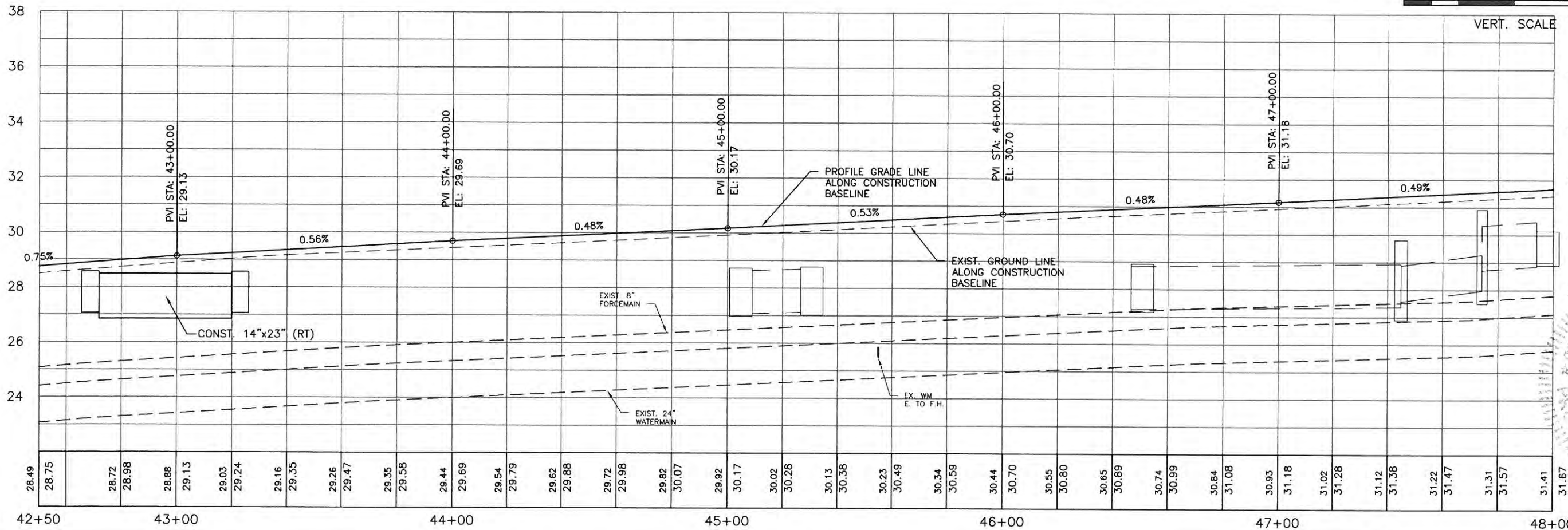
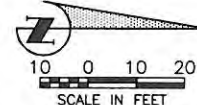
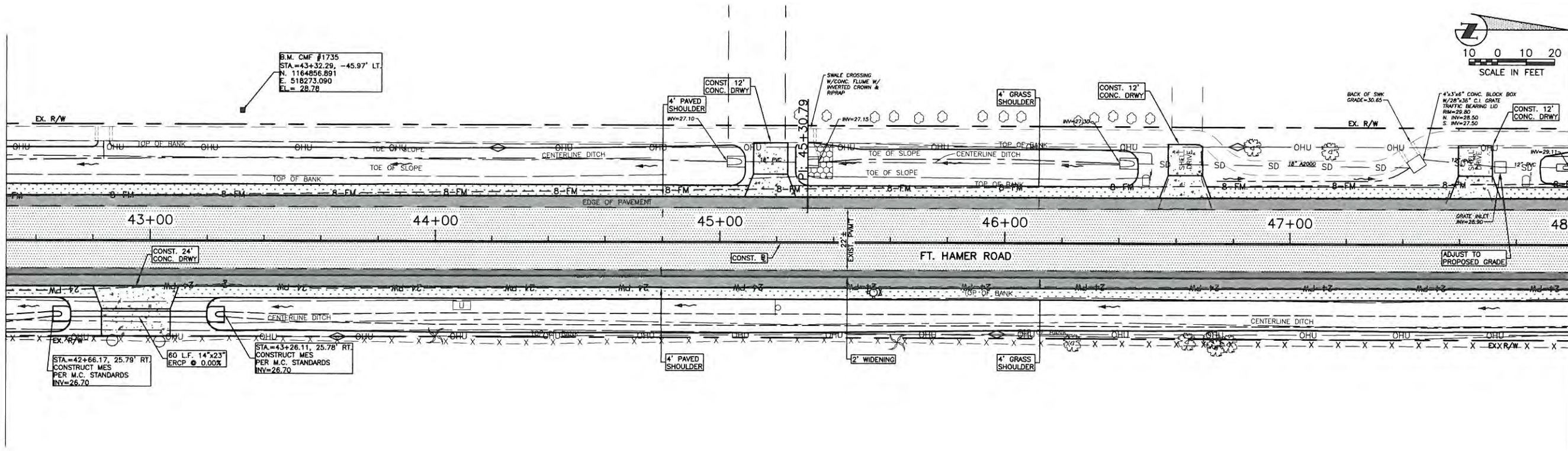
**FORT HAMER ROAD  
US 301 TO FUTURE FORT HAMER  
BRIDGE  
PLAN & PROFILE STA. 37+00 TO 42+50**

NO.	REVISION DESCRIPTION	BY	DATE

PROJECT #	323-6054764
SURVEY #	6982
SEC./TWN./RGE	7/35S/18E
SCALE	AS NOTED
DESIGNED BY	ZNS
DESIGNED DATE	00/00/00
DRAWN BY	AAM
DRAWN DATE	09/2013
CHECKED BY	JP/SB
CHECKED DATE	09/2014
DESIGNED BY	CHRIS L. MOWBRAY, P.E.
FLORIDA P.E. #	46777
Signature & Date	<i>[Signature]</i>

MATCH LINE STA. 42+50

MATCH LINE STA. 48+00



**FORT HAMER ROAD**  
**US 301 TO FUTURE FORT HAMER**  
**BRIDGE**  
 PLAN & PROFILE STA. 42+50 TO 48+00

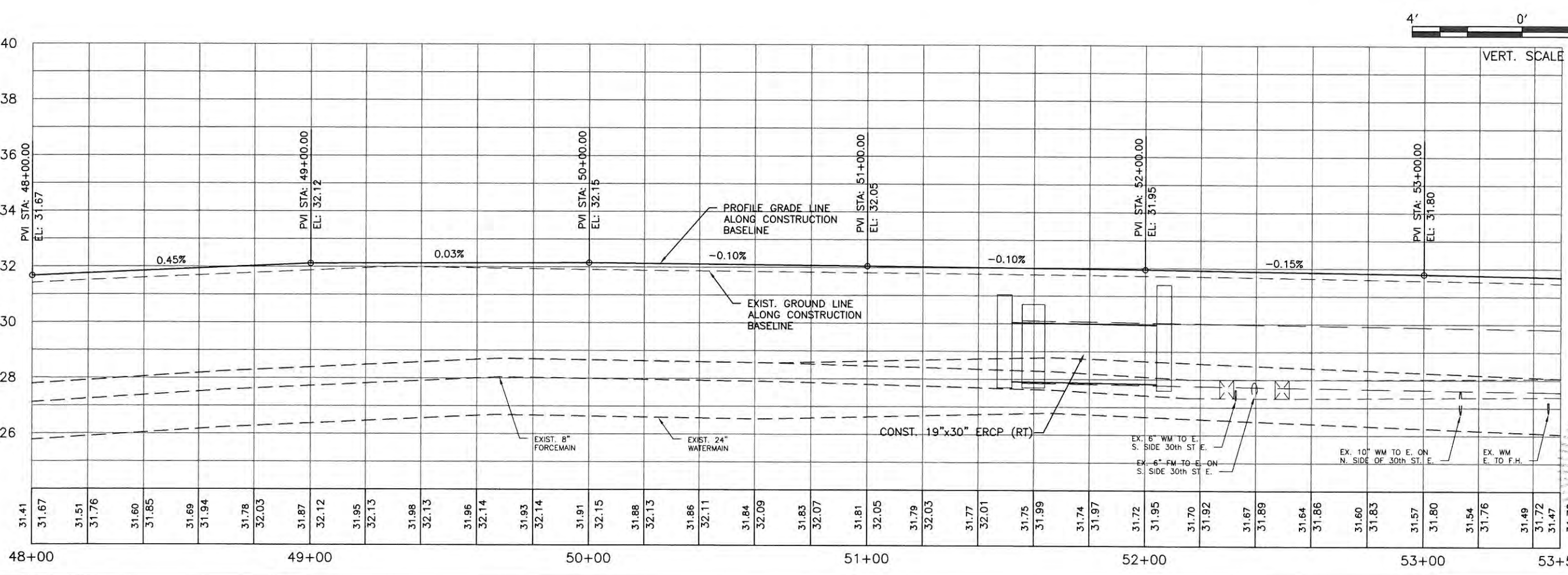
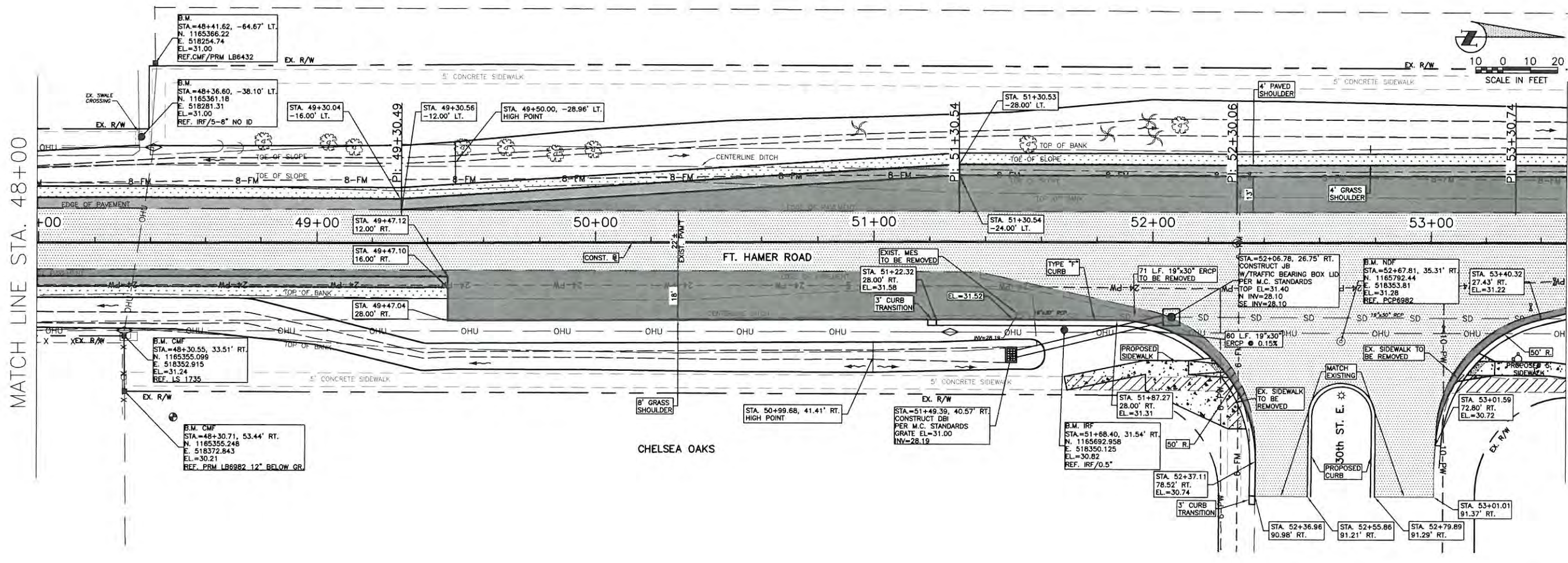
NO.	DATE	REVISION DESCRIPTION

PROJECT #	323-6054764
SURVEY #	6982
SEC/TWN/RGE	35S/18E
SCALE	AS NOTED
BY	DATE
SURVEYED	ZNS 00/00/00
DESIGNED	AAM 09/2013
DRAWN	TMF/GB 09/2013
CHECKED	JP/GB 09/2014
CHRIS L. MOWBRAY, P.E. FLORIDA P.E. # 46777	
Signature & Date	

S:\civil\_engineering\_shared\highway\_engineering\roads\US301\road\us301\plan\p16.dwg: P:\P\10/22/2014 8:32 AM Thom Forester, E.I., 11x17





**FORT HAMER ROAD  
US 301 TO FUTURE FORT HAMER  
BRIDGE  
PLAN & PROFILE STA. 48+00 TO 53+50**

NO.	REVISION DESCRIPTION	BY	DATE

PROJECT #	323-6054764
SURVEY #	6982
SEC./TWN./RGE	7/35S/18E
SCALE	AS NOTED

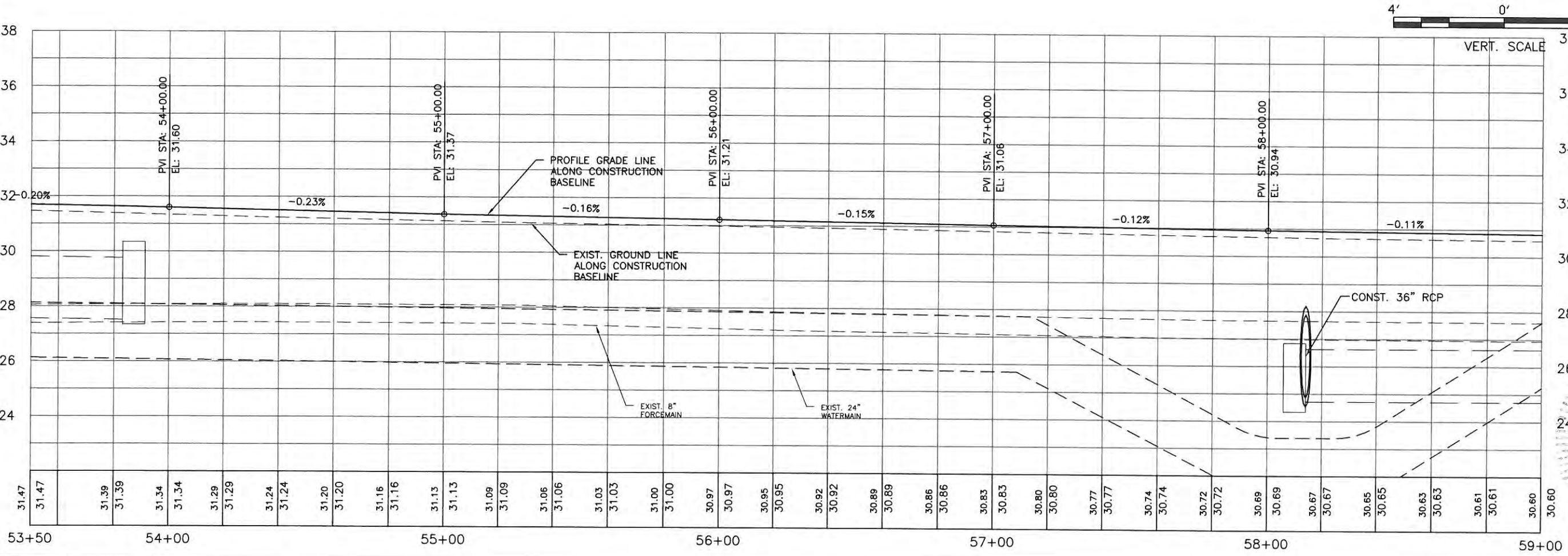
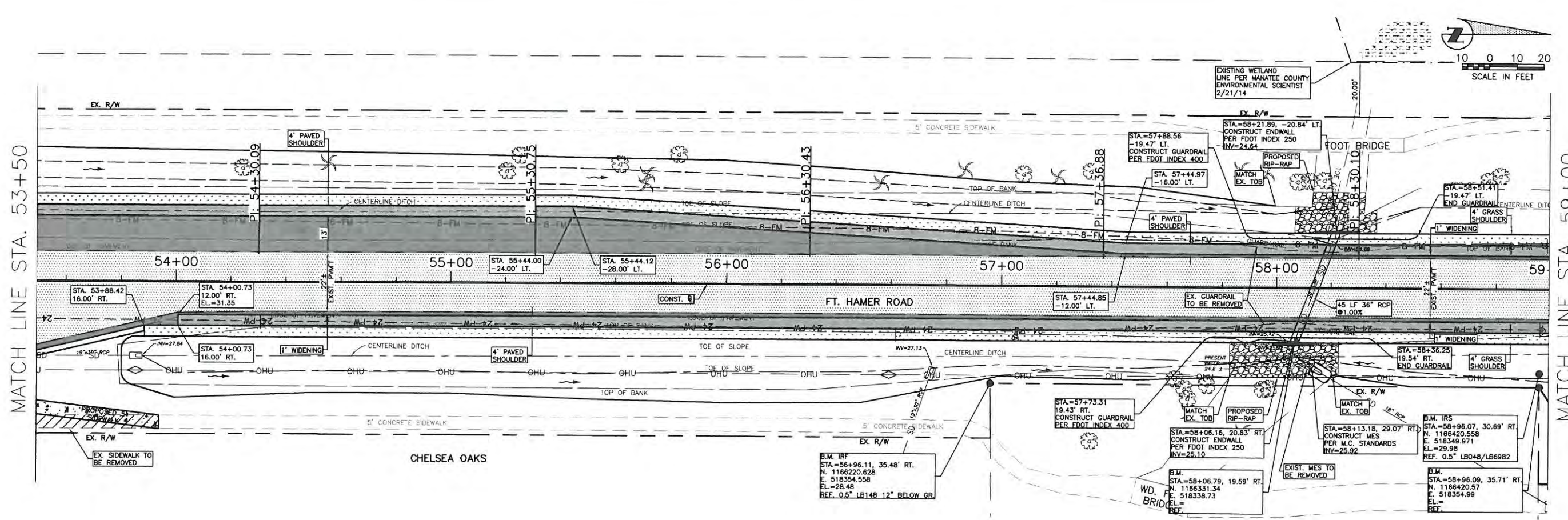
  

CHECKED	JP/GB	09/2014
DESIGNED	AAM	08/2013
DRAWN	TWF/GB	09/2013
SURVEYED	ZNS	00/00/00
BY	DATE	

CHRS L. MOWBRAY, P.E.  
FLORIDA P.E. # 46777

Signature & Date



**FORT HAMER ROAD  
US 301 TO FUTURE FORT HAMER  
BRIDGE  
PLAN & PROFILE STA. 53+50 TO 59+00**

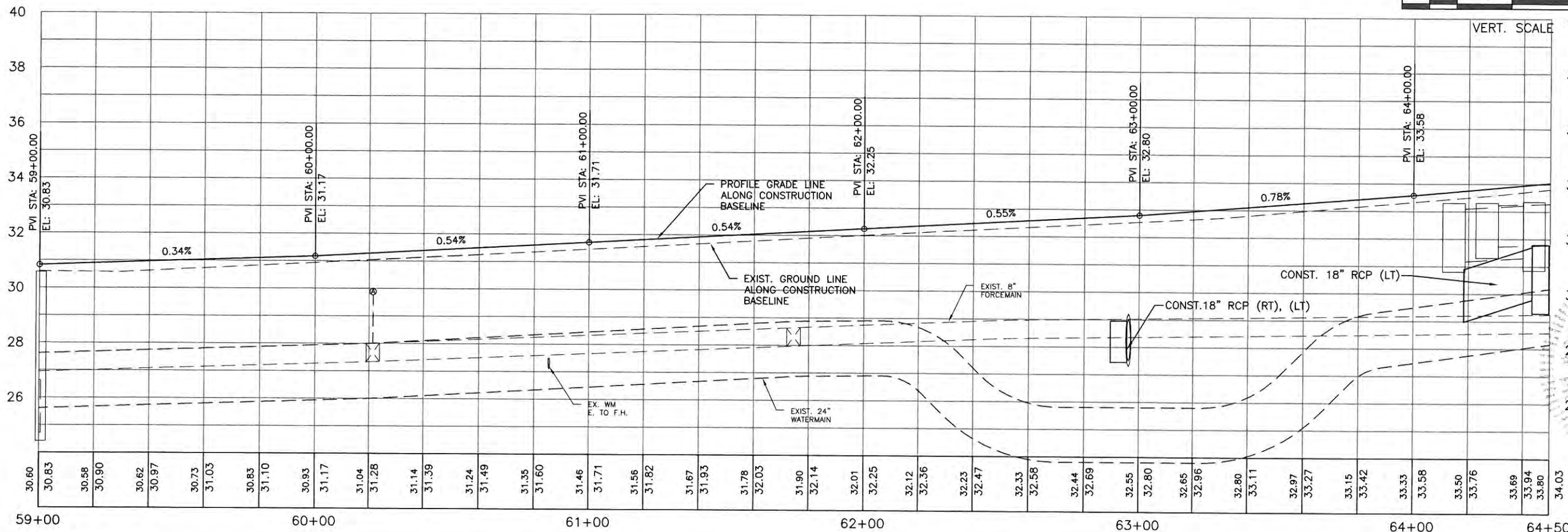
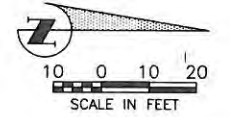
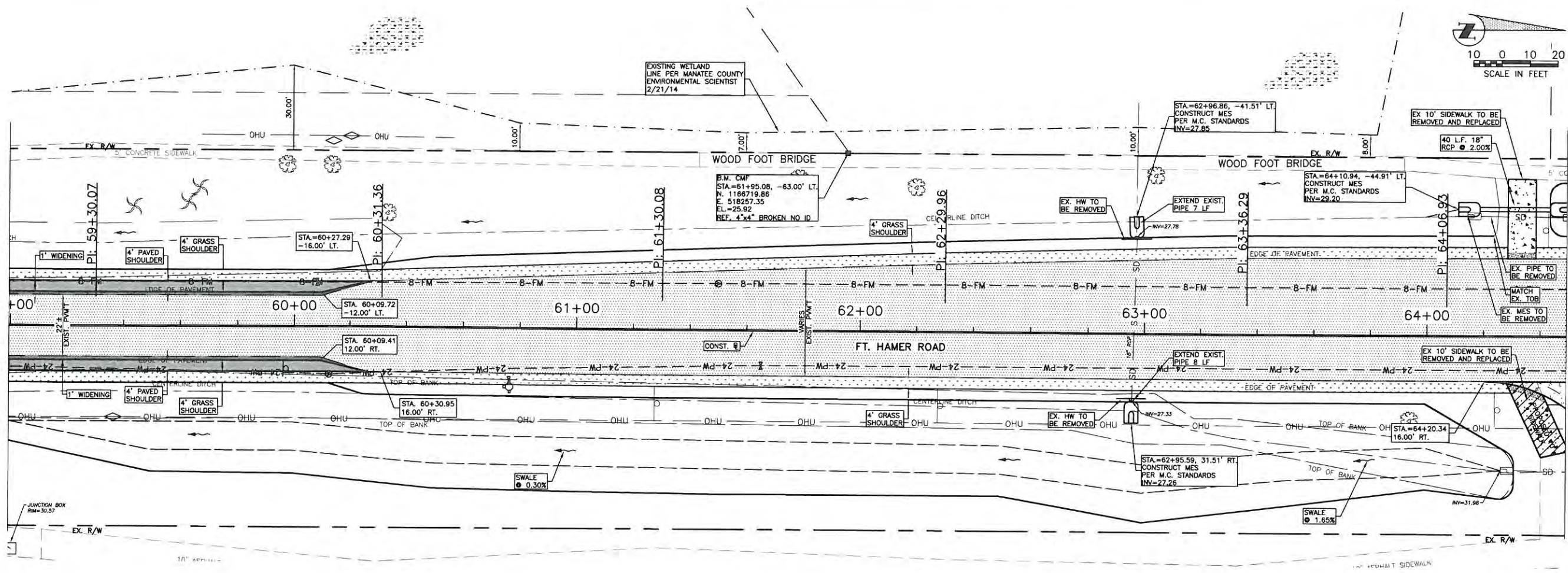
NO.	REVISION DESCRIPTION	BY	DATE

PROJECT #	323-6054764
SURVEY #	6982
SEC./TWN./RGE	7/35S/18E
SCALE	AS NOTED
SURVEYED BY	ZNS 00/00/00
DESIGNED BY	JAM 09/2013
DRAWN BY	TMF/GB 09/2013
CHECKED BY	JP/GB 09/2013
CHRIS L. MOWBRAY, P.E.	FLORIDA P.E. # 46777
Signature & Date	

MATCH LINE STA. 59+00

MATCH LINE STA. 64+50

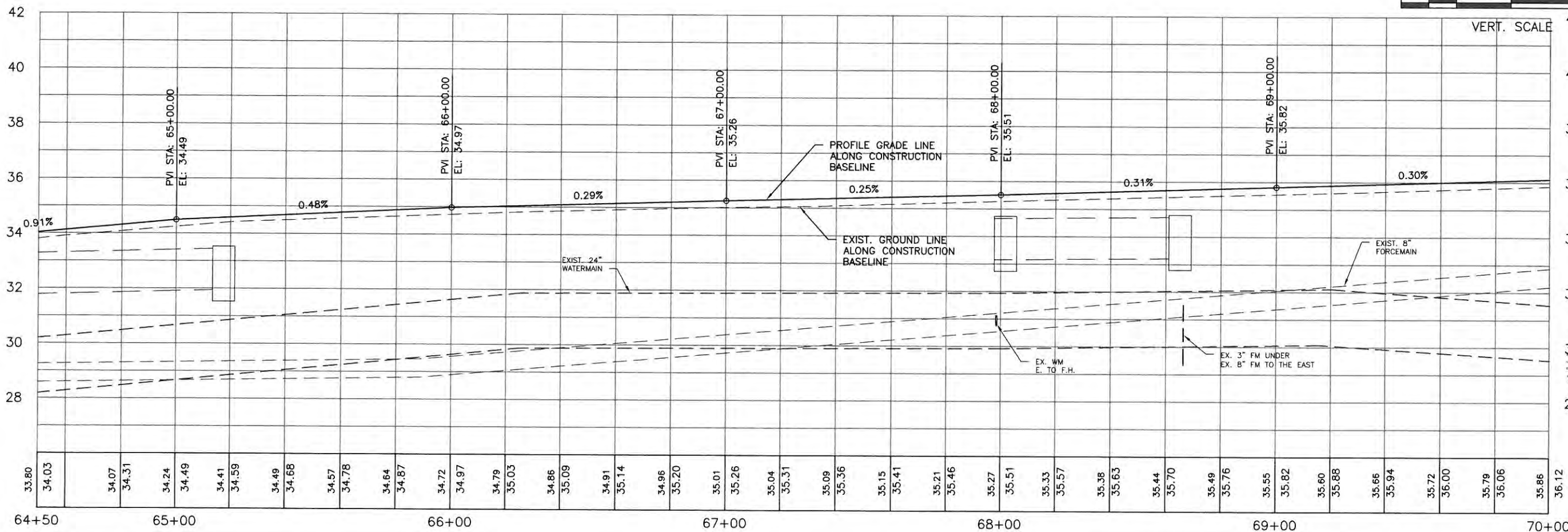
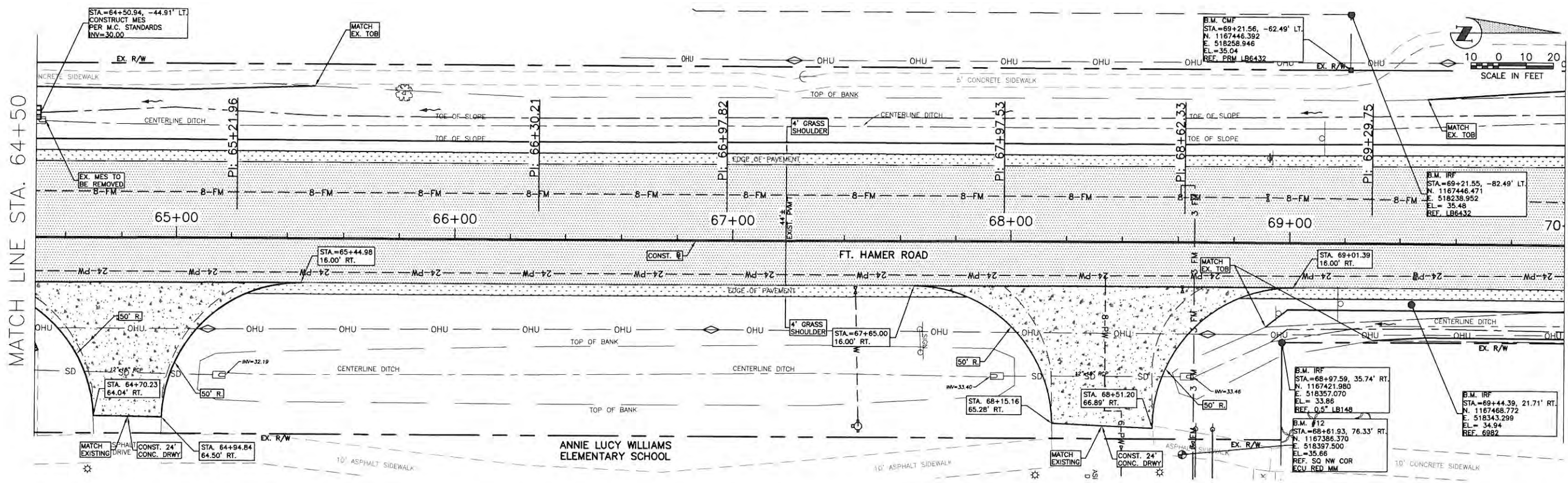


**FORT HAMER ROAD  
US 301 TO FUTURE FORT HAMER  
BRIDGE**  
**PLAN & PROFILE FORT HAMER  
BRIDGE**  
PLAN & PROFILE STA. 59+00 TO 64+50

ID.	REVISION DESCRIPTION	DATE

PROJECT	323-6054764
SUBVEY #	6982
SEC./TWN./RGE	7/35S/18E
SCALE	AS NOTED
SURVEYED	ZNS 00/00/00
DESIGNED	AAM 09/2013
DRAWN	TMS/GB 09/2013
CHECKED	JP/GB 09/2014
	CHRIS L. MOWERAY, P.E.
	FLORIDA P.E. # 46777
	<i>Chris L. Moweray</i>
	11/5/14
	Signature & Date

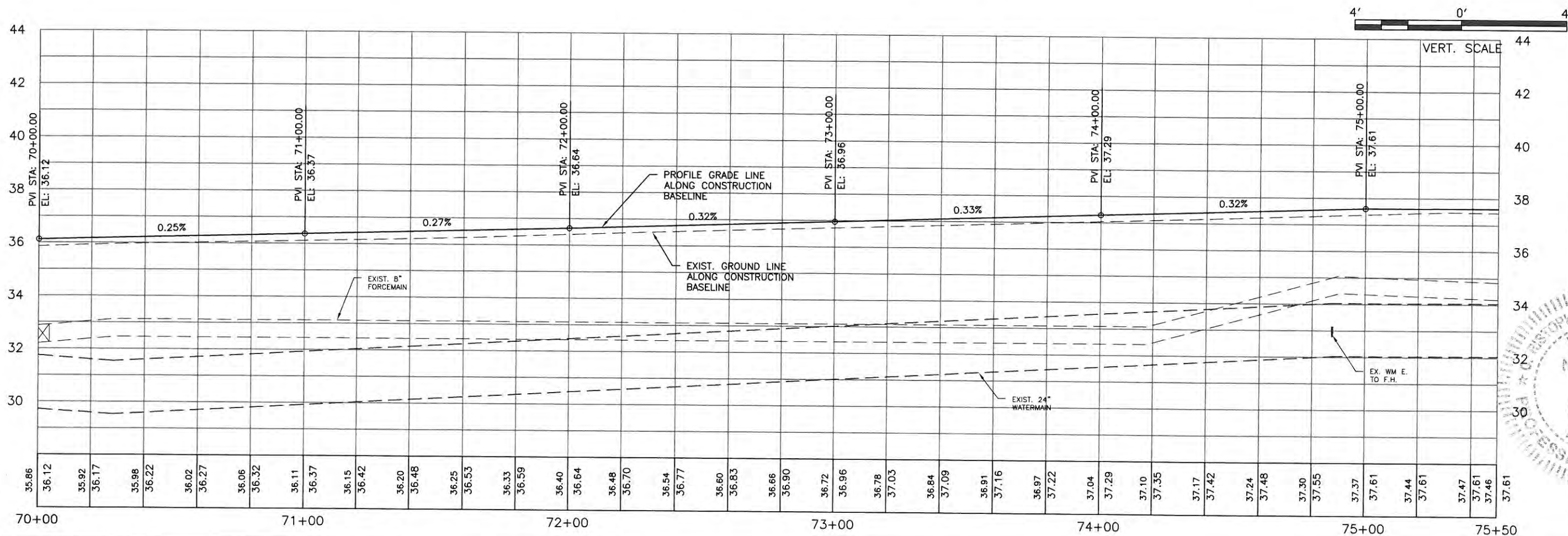
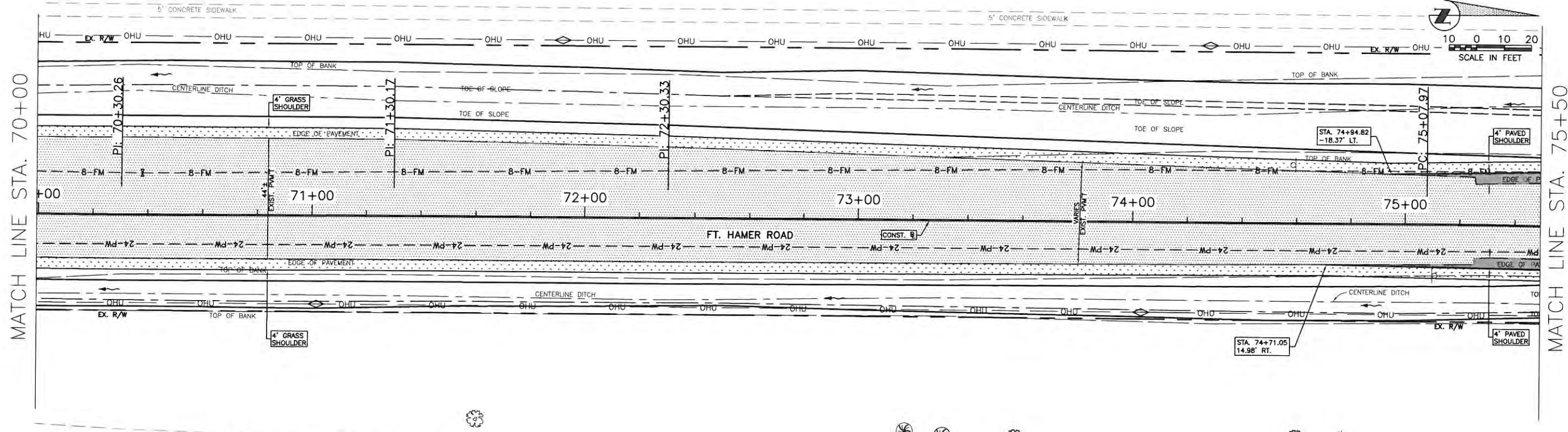
**FORT HAMER ROAD  
US 301 TO FUTURE FORT HAMER  
BRIDGE  
PLAN & PROFILE STA. 64+50 TO 70+00**



NO.	REVISION DESCRIPTION	BY	DATE

PROJECT #	323-6054764
SURVEY #	6982
SEC./TWN./RGE.	7/35S/18E
SCALE	AS NOTED
SURVEYED BY	ZNS 00/06/00
DESIGNED BY	AAM 09/2013
DRAWN BY	TMF/GB 09/2013
CHECKED BY	JR/GB 09/2014
DATE	09/2014
DESIGNED BY	CHRIS E. MOWBRAY, P.E.
FLORIDA P.E. #	46777
SIGNATURE & DATE	<i>[Signature]</i> 11/5/14

**FORT HAMER ROAD  
US 301 TO FUTURE FORT HAMER  
BRIDGE  
PLAN & PROFILE STA. 70+00 TO 75+50**

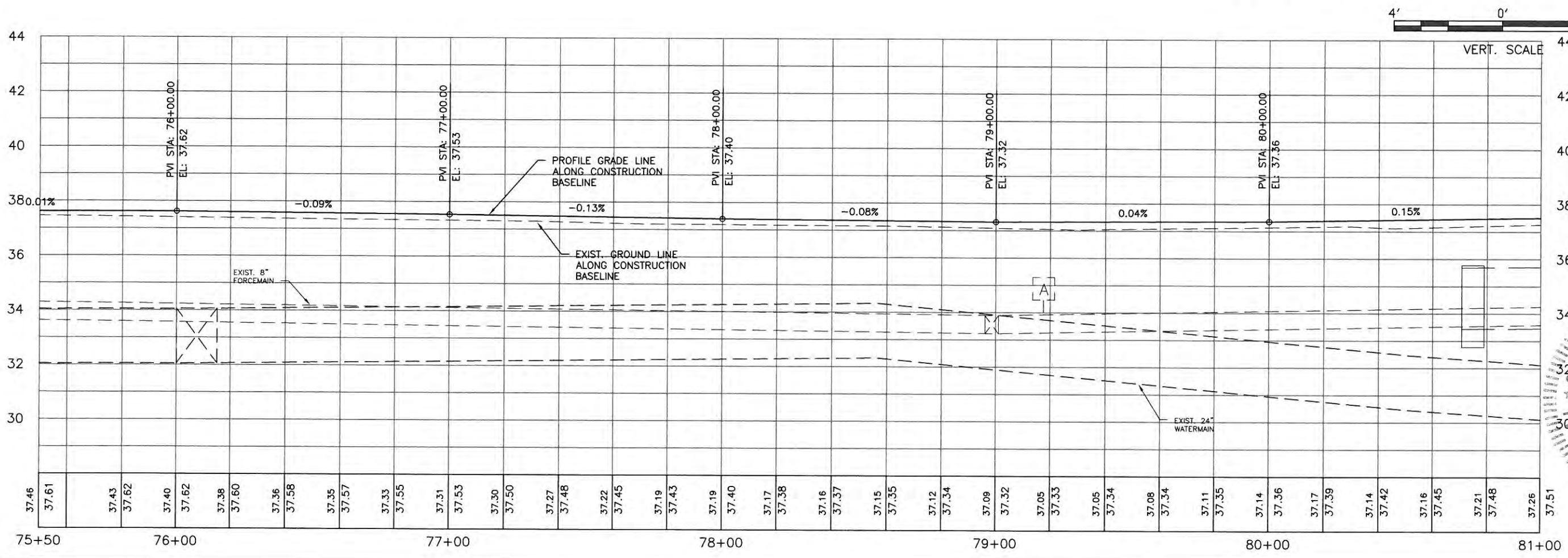
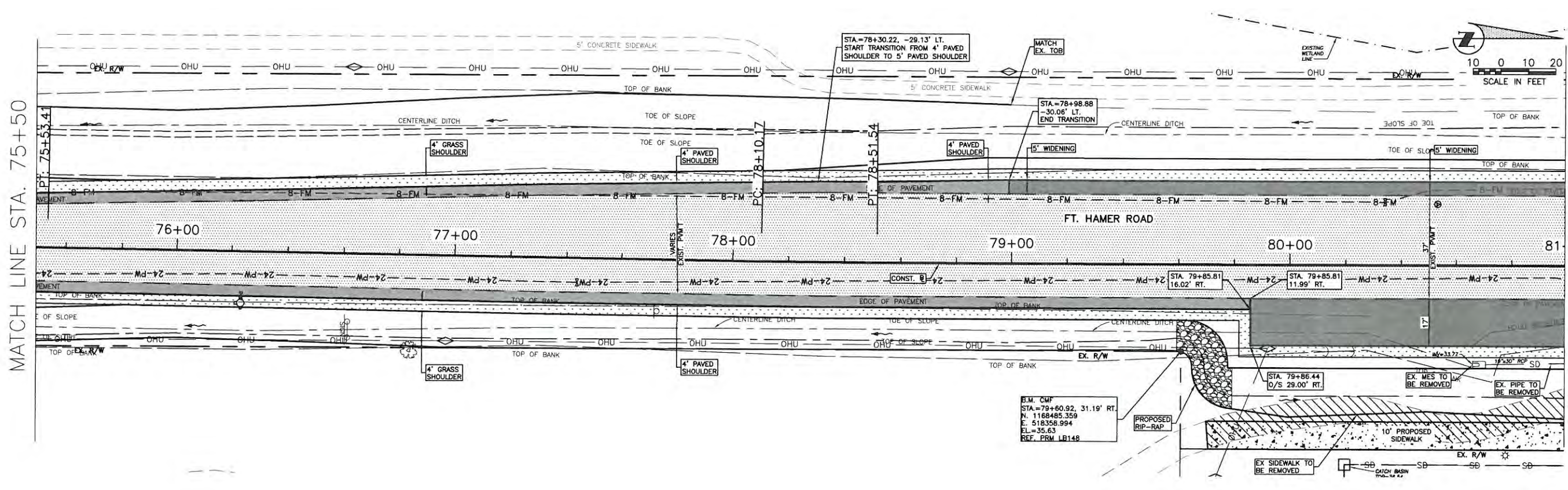


NO.	REVISION DESCRIPTION	BY	DATE

PROJECT #	323-6054764
SURVEY #	6982
SEC./TWN./RGE.	7/35S/18E
SCALE	AS NOTED
BY	DATE
SURVEYED	ZNS 00/00/00
DESIGNED	AAM 09/2013
DRAWN	TMF/GB 09/2013
CHECKED	JP/GB 09/2014
CHRIS L. MOWBRAY, P.E.	
FLORIDA P.E. # 46777	
11/5/14	
Signature & Date	

**FORT HAMER ROAD  
US 301 TO FUTURE FORT HAMER  
BRIDGE  
PLAN & PROFILE STA. 75+50 TO 81+00**



NO.	REVISION DESCRIPTION	BY	DATE

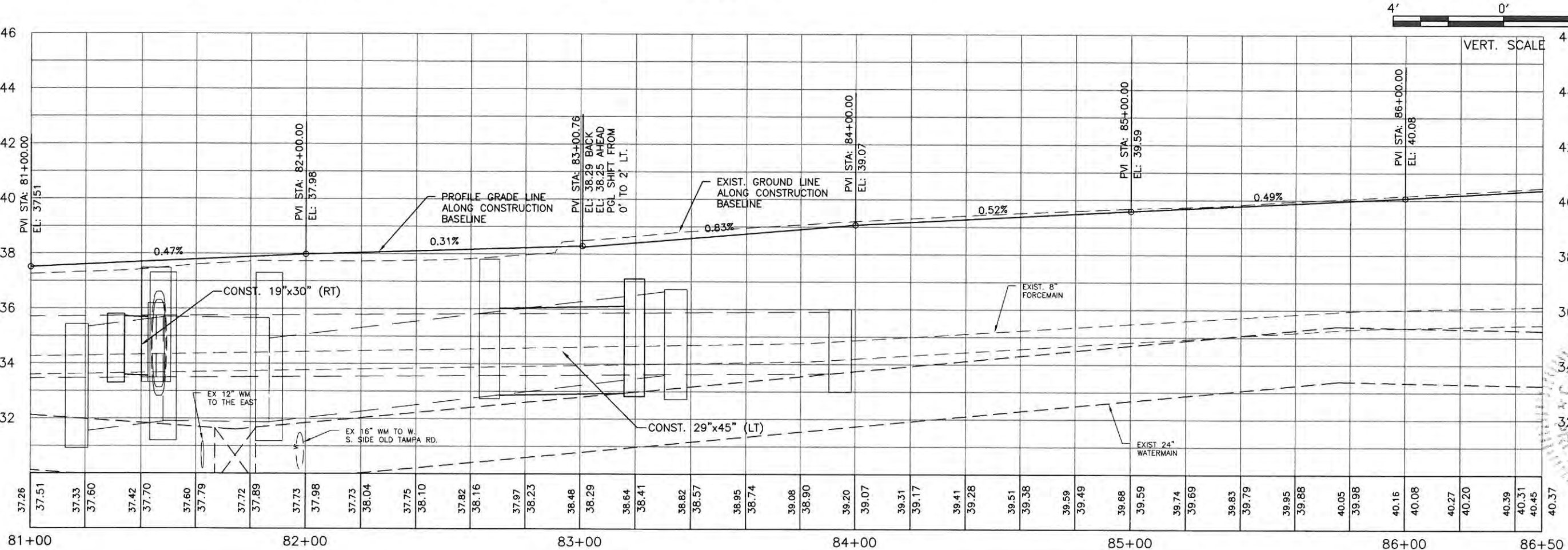
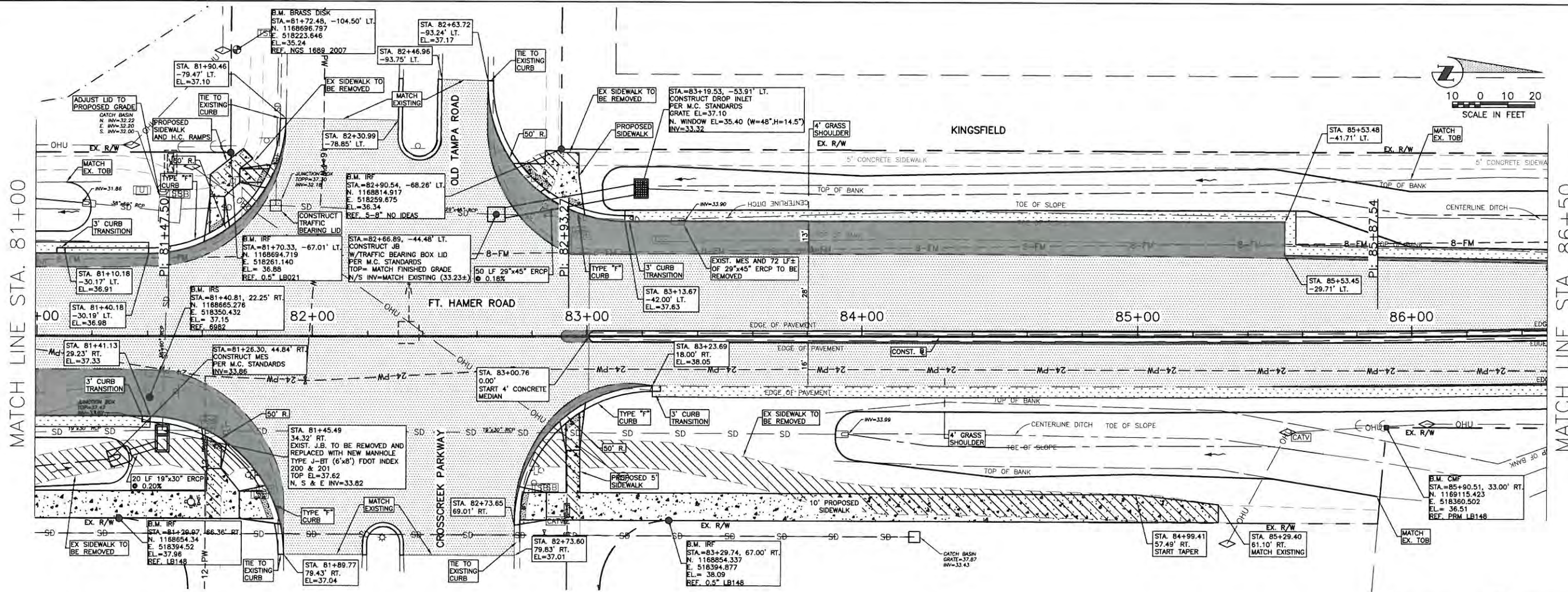
  

PROJECT #	323-6054764
SURVEY #	6982
SEC. TOWN/RGE	7/358/18E
SCALE	AS NOTED
BY	DATE
SURVEYED	ZNS 06/06/00
DESIGNED	AAM 09/20*3
DRAWN	TMF/GB 09/20*3
CHECKED	JP/GB 09/20*14

**CHRIS D. MOWBRAY, P.E.**  
FLORIDA P.E. # 16777

Signature & Date



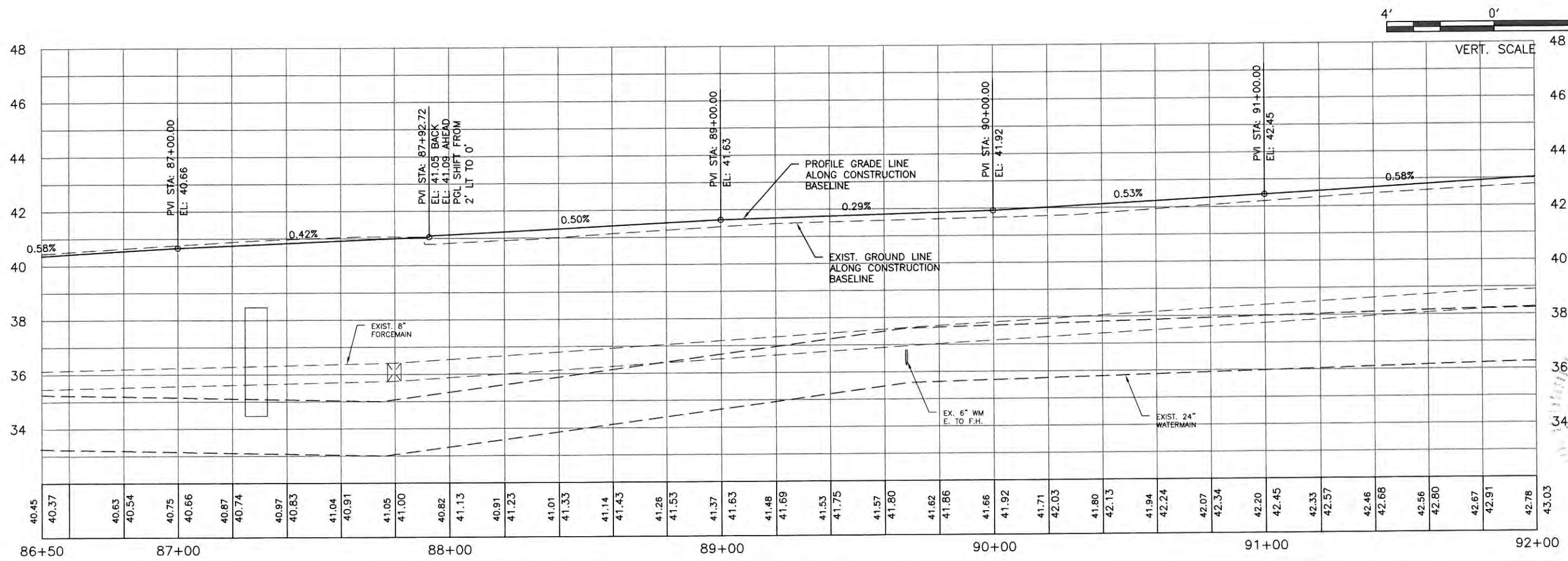
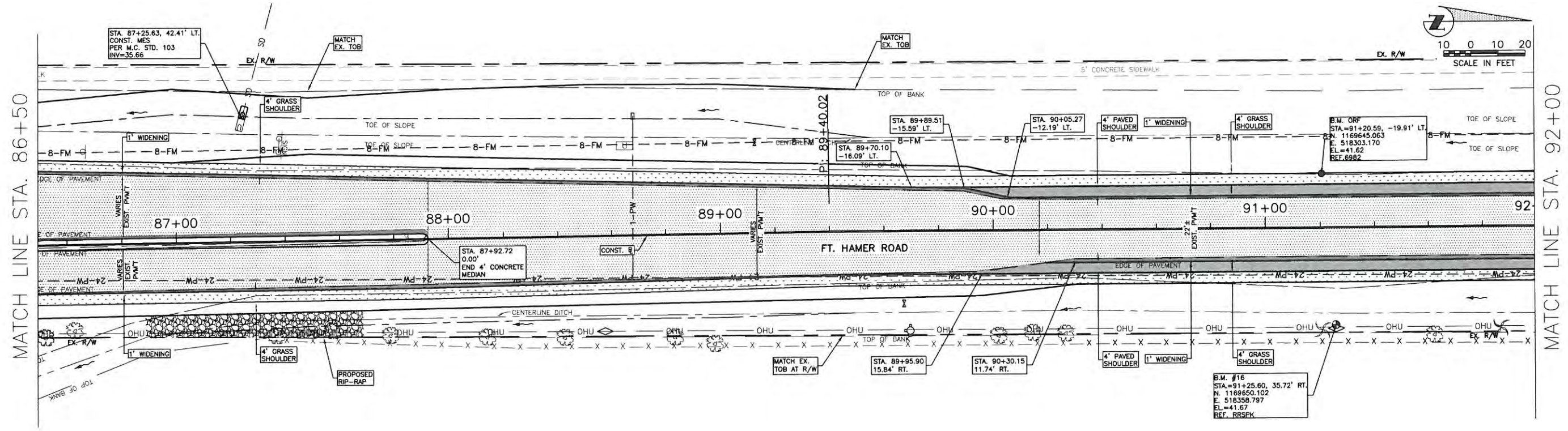
**FORT HAMER ROAD  
US 301 TO FUTURE FORT HAMER  
BRIDGE  
PLAN & PROFILE STA. 81+00 TO 86+50**

NO.	REVISION DESCRIPTION	BY	DATE

PROJECT #	323-6054764
SURVEY #	6982
SEC./TWN./RGE	17/35S/18E
SCALE	AS NOTED
SURVEYED	ZNS 00/00/00
DESIGNED	AAM 09/2013
DRAWN	TMF/GB 09/2013
CHECKED	JP/GB 09/2014
CHRIS L. MOWBRAY, P.E.	
FLORIDA P.E. # 48777	
Signature & Date	

**FORT HAMER ROAD  
 US 301 TO FUTURE FORT HAMER  
 BRIDGE  
 PLAN & PROFILE STA. 86+50 TO 92+00**



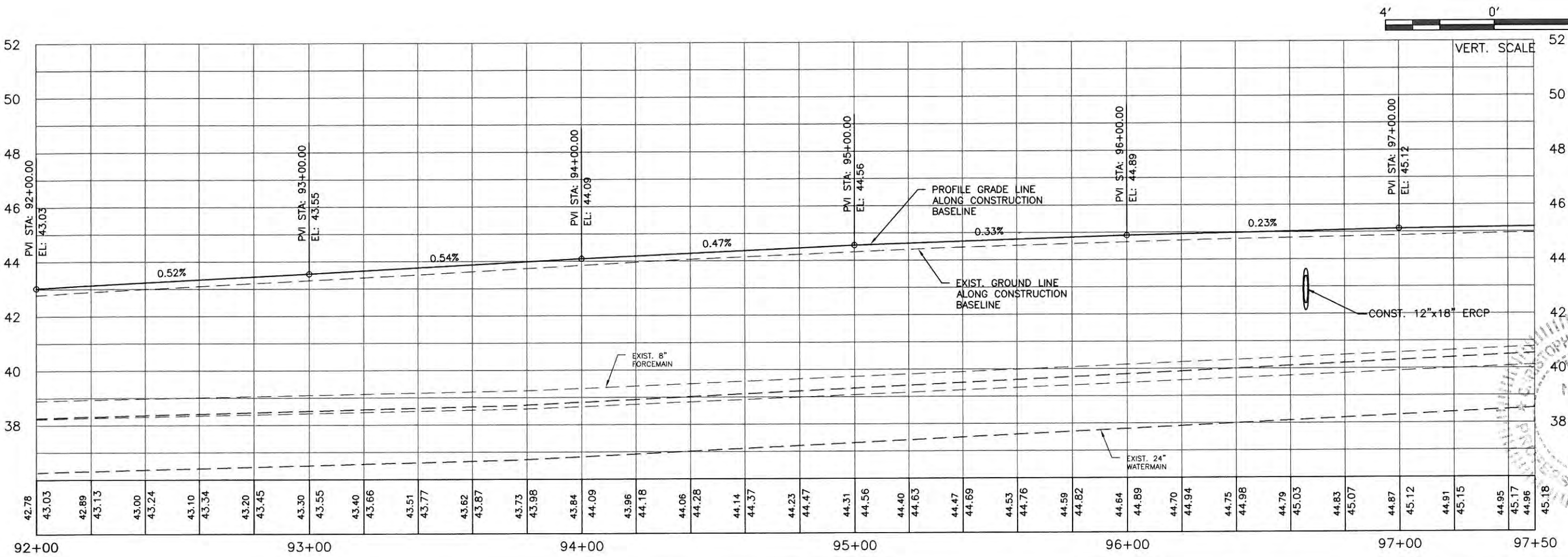
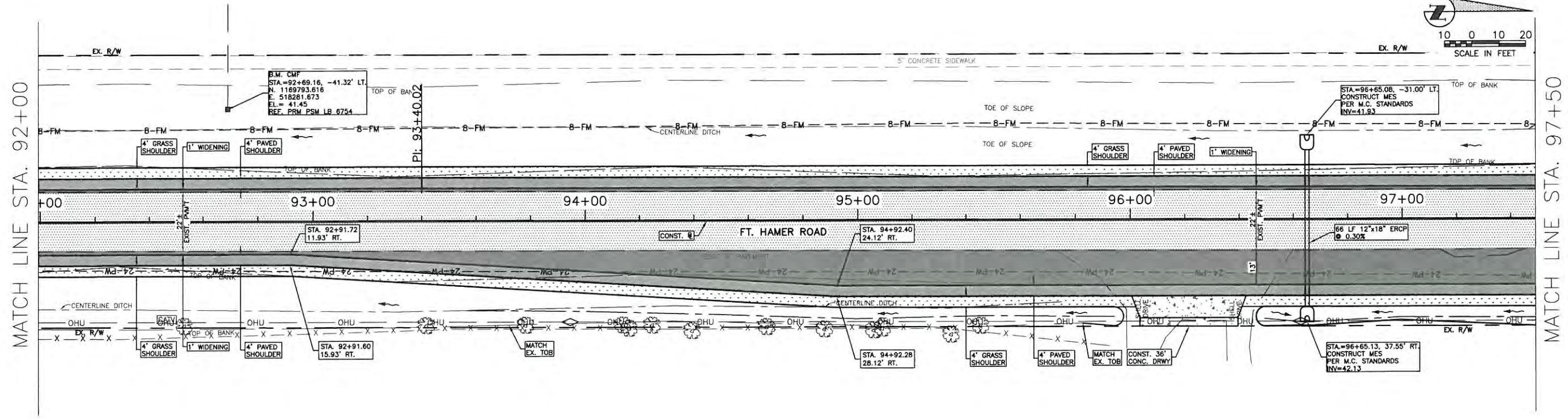
NO.	REVISION DESCRIPTION	BY	DATE

PROJECT #	323-6054764
SURVEY #	6982
SEC./TWN./RGE	7/55S/18E
SCALE	AS NOTED
SURVEYED	ZNS 09/00/00
DESIGNED	AAM 09/2013
DRAWN	TMF/GB 09/2013
CHECKED	JP/GB 09/2014
CHRIS L. MOWBRAY, P.E.	
FLORIDA P.E. # 46777	
Signature & Date	

s:\pww\engineering\shora\highway\engineering\301\homer\_road\DWG\FH\_P&P.dwg, 24 P&P, 10/23/2014 1:54 PM Thom Forrester, 111, 111x17



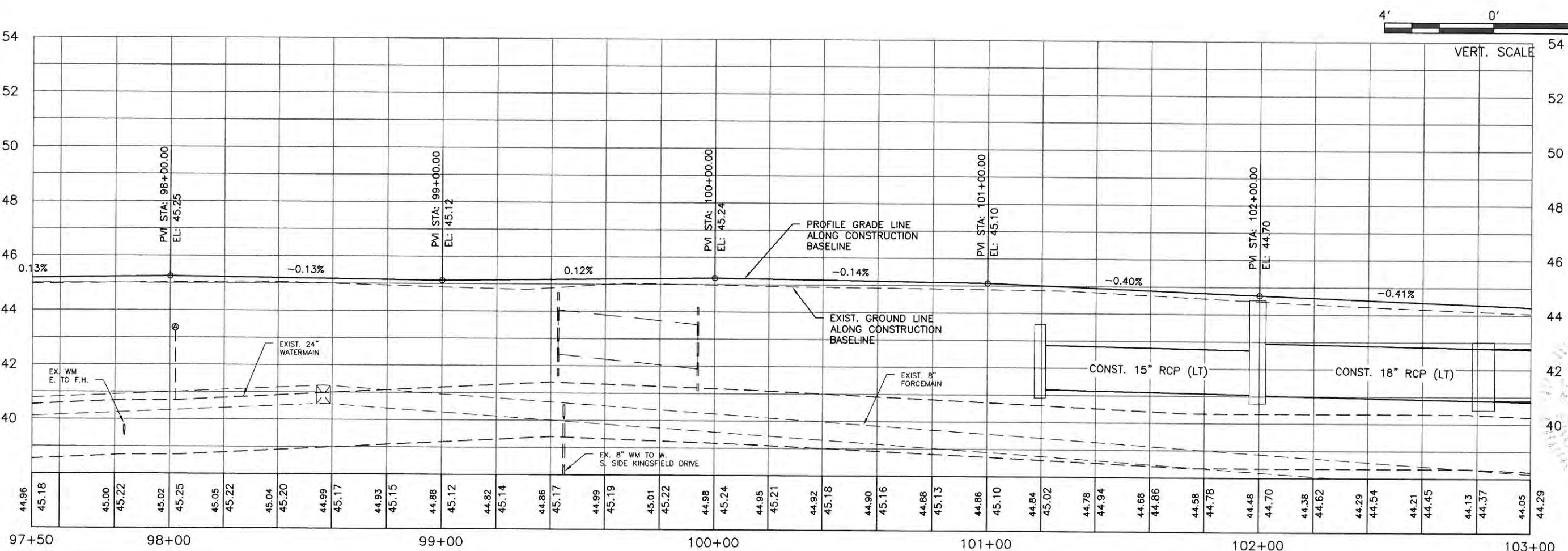
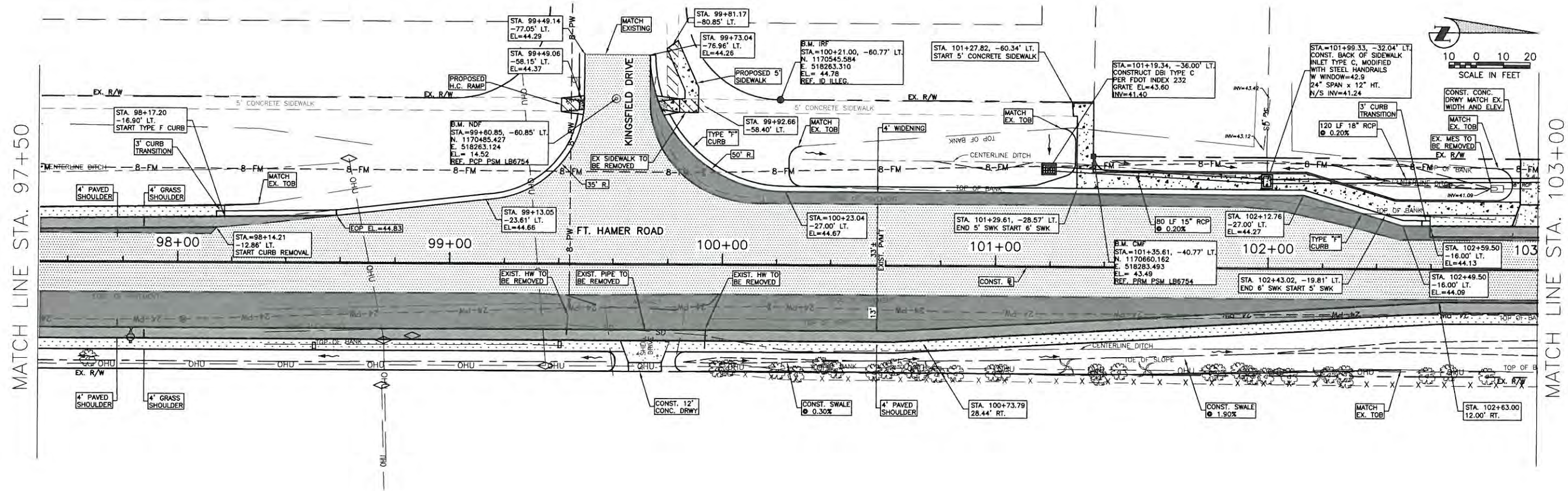


**FORT HAMER ROAD  
US 301 TO FUTURE FORT HAMER  
BRIDGE  
PLAN & PROFILE STA. 92+00 TO 97+50**

NO.	REVISION DESCRIPTION	BY	DATE

PROJECT #	323-6054764
SURVEY #	6982
SEC./TWN./RGE	7/35S/18E
SCALE	AS NOTED
DESIGNED	ZNS 00/00/00
DRAWN	TMF/GB 09/2013
CHECKED	JP/GB 09/2014
CHRIS L. MOWBRAY, P.E.	FLORIDA P.E. # 46777
Signature & Date	



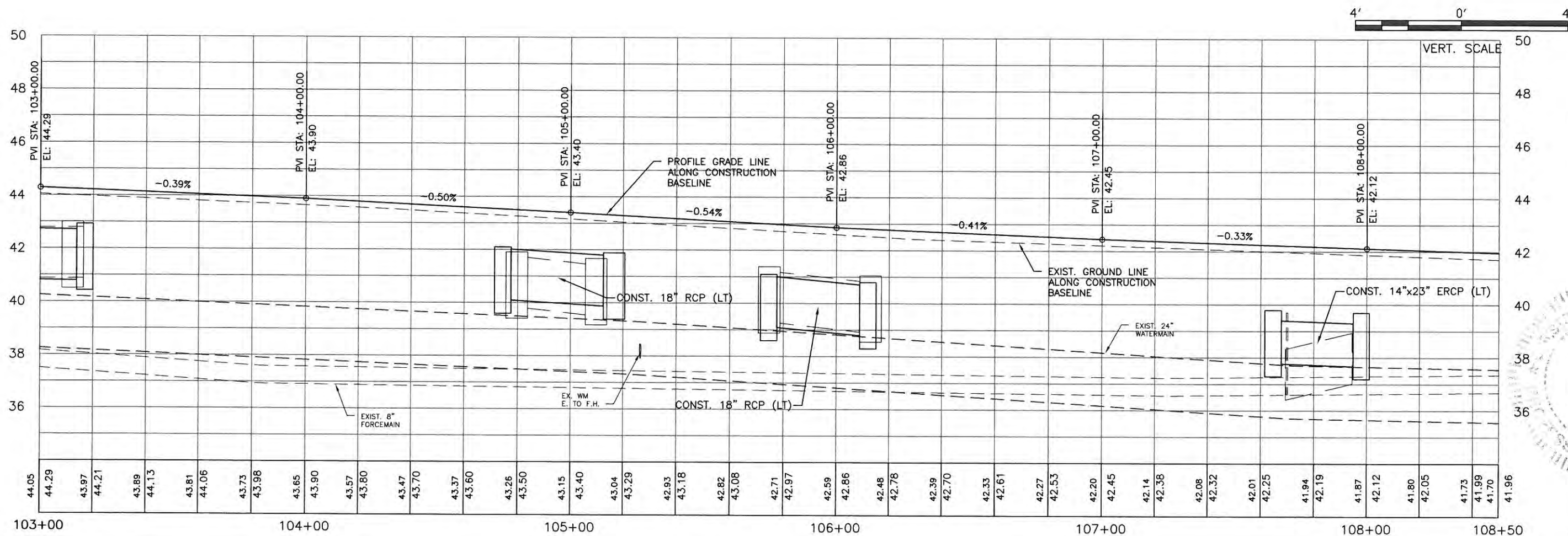
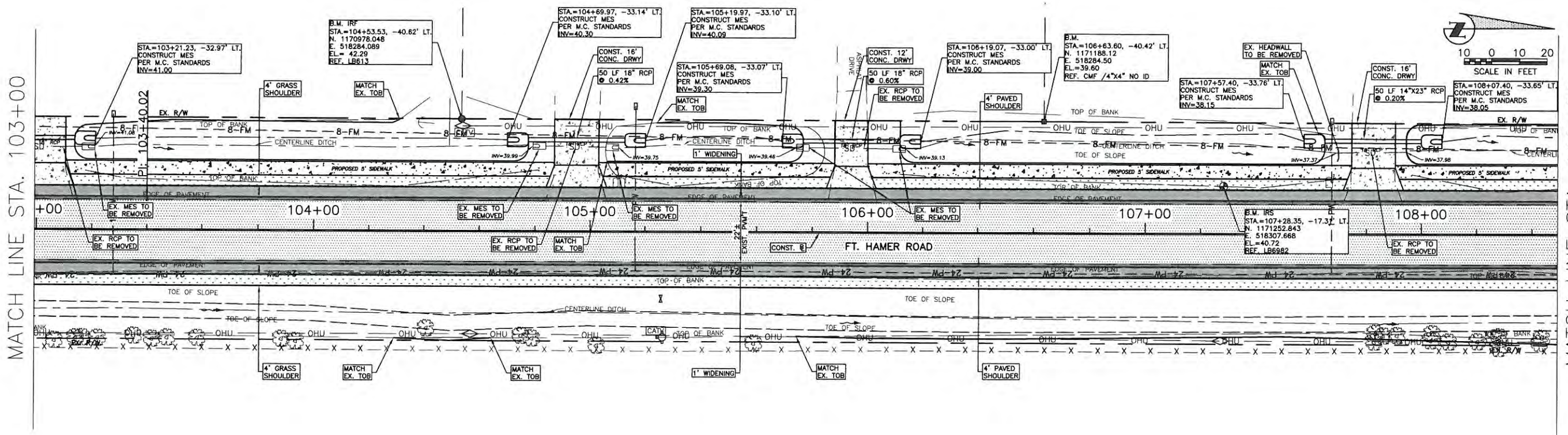
**FORT HAMER ROAD  
US 301 TO FUTURE FORT HAMER  
BRIDGE  
PLAN & PROFILE STA. 97+50 TO 103+00**

NO.	REVISION DESCRIPTION	BY	DATE

PROJECT #	323-6054764
SURVEY #	6982
SEC./TWN./RGE.	7/39S/18E
SCALE	AS NOTED
SURVEYED BY	ZNS 06/09/00
DESIGNED BY	AAM 08/2013
DRAWN BY	TMF/GB 09/2013
CHECKED BY	JP/GB 09/2014
DESIGNED BY	CHRIS L. MOWBRAY, P.E.
FLORIDA P.E. #	46777
Signature & Date	<i>[Signature]</i> 11/5/14



**FORT HAMER ROAD  
US 301 TO FUTURE FORT HAMER  
BRIDGE  
PLAN & PROFILE STA. 103+00 TO 108+50**



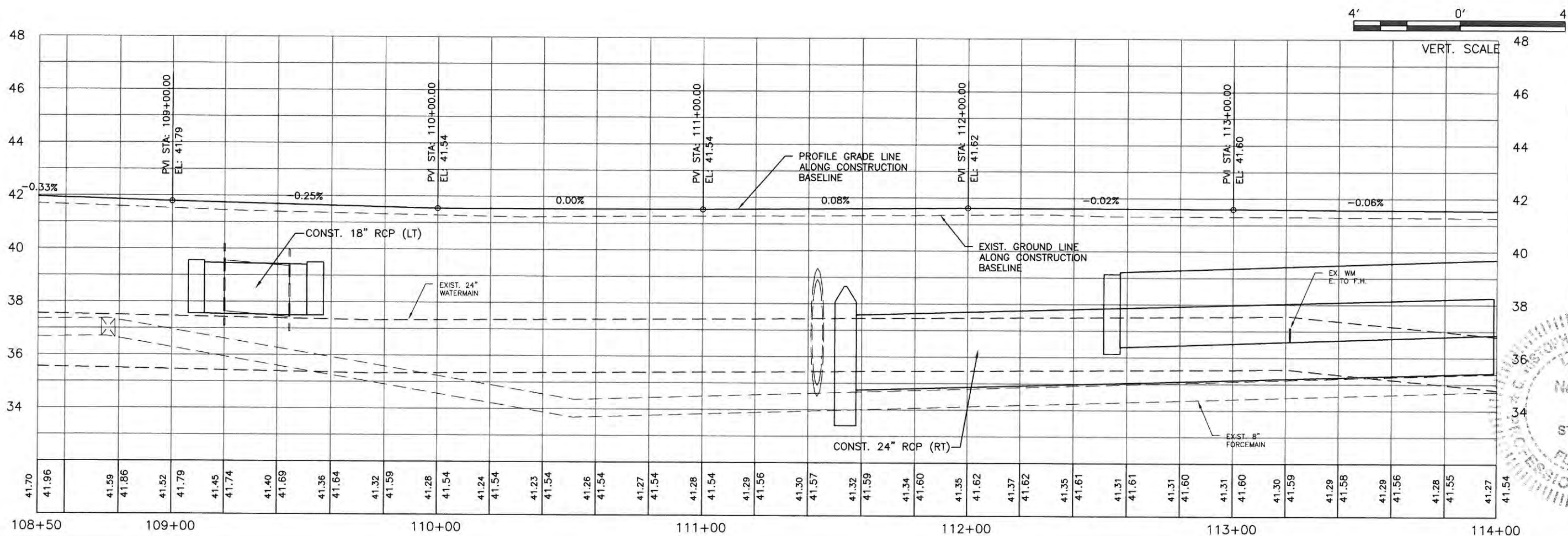
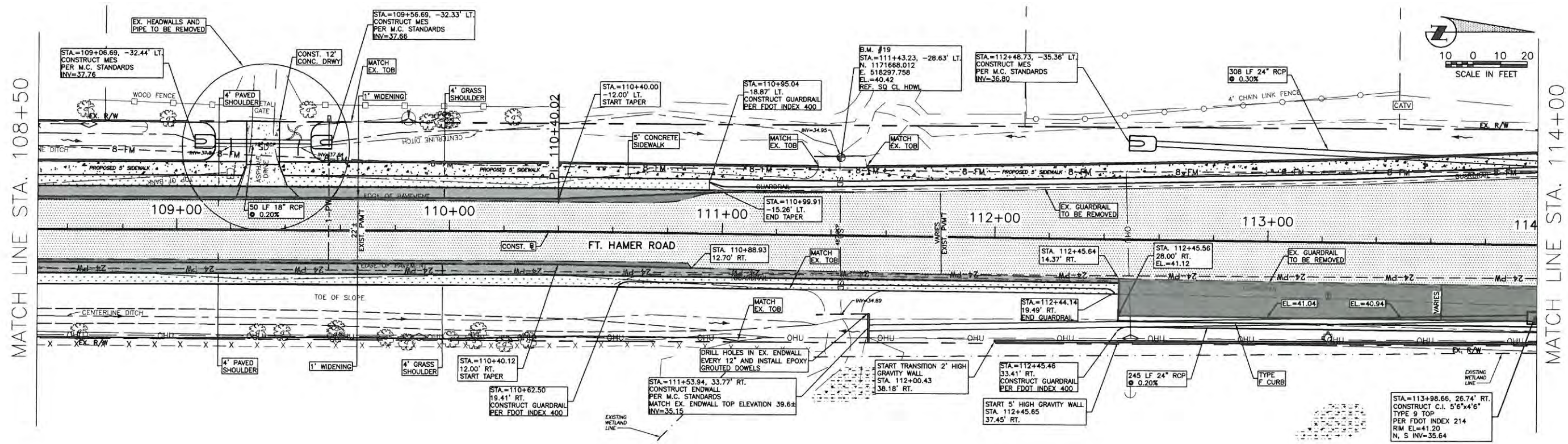
NO.	DATE	REVISION DESCRIPTION	BY
1			
2			

PROJECT #	323-6054764
SURVEY #	6992
SEC/TWN/RGE	7/35S/18E
SCALE	AS-NOTED
NO.	430777
SURVEYED	ZNS 00/00/00
DESIGNED	AAM 09/2013
DRAWN	FM/GB 09/2013
CHECKED	JP/GB 09/2014
CHRIS L. MOWBRAY, P.E.	
FLORIDA P.E. # 48777	

Signature & Date  
  
 11/3/14

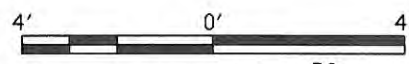
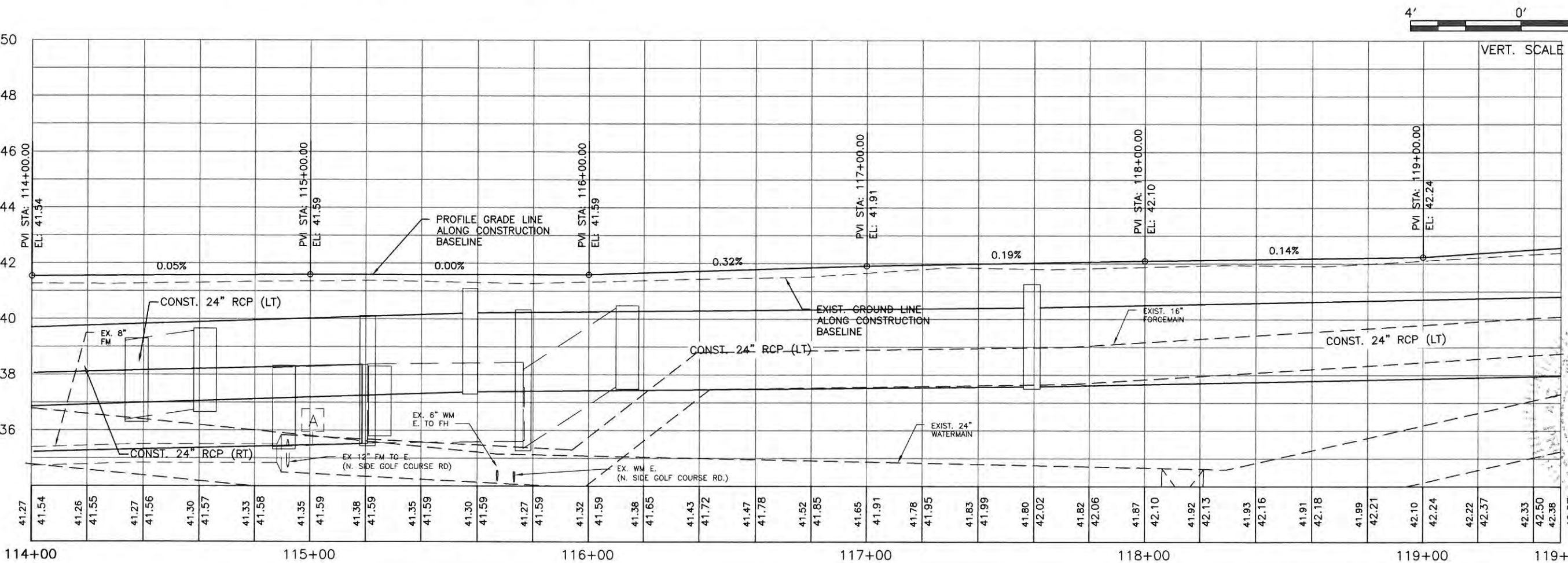
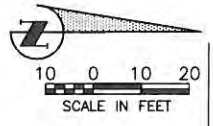
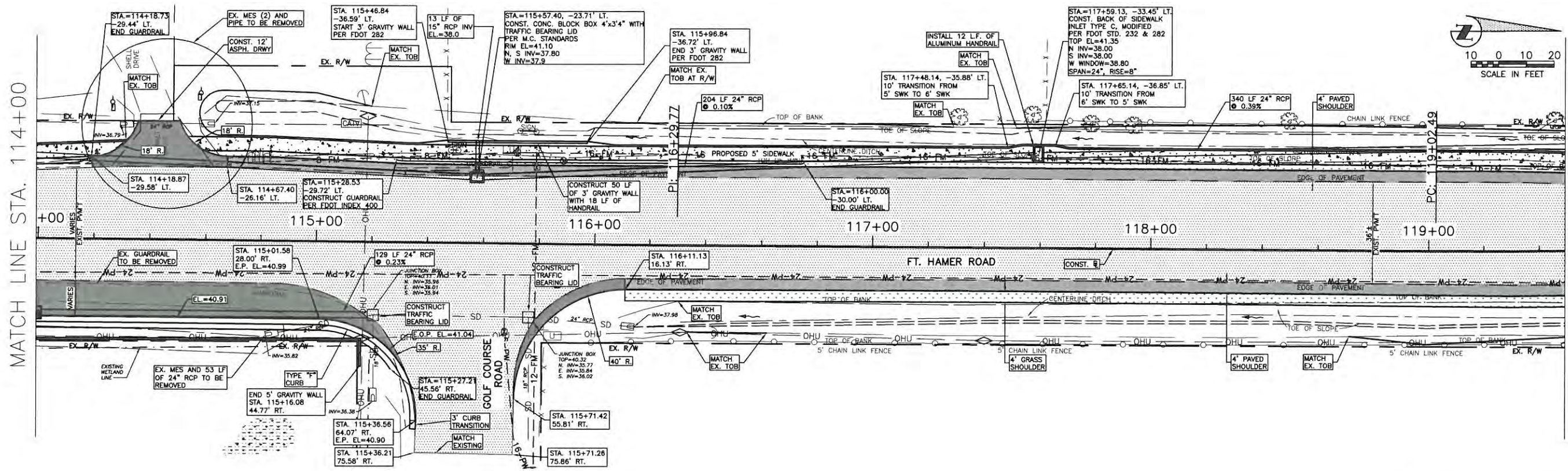
**FORT HAMER ROAD  
US 301 TO FUTURE FORT HAMER  
BRIDGE  
PLAN & PROFILE STA. 108+50 TO 114+00**



NO.	REVISION DESCRIPTION	BY	DATE

PROJECT #	323-6054764
SURVEY #	6982
SEC./TWN./RGE.	7/35S/18E
SCALE	AS NOTED
SURVEYED	ZNS 00/00/00
DESIGNED	AAM 09/2013
DRAWN	TMF/GB 09/2013
CHECKED	JP/GB 09/2014
DESIGNED BY	CHRIS L. MOWBRAY, P.E.
FLORIDA P.E. #	46777
SIGNATURE & DATE	<i>[Signature]</i> 1/15/14

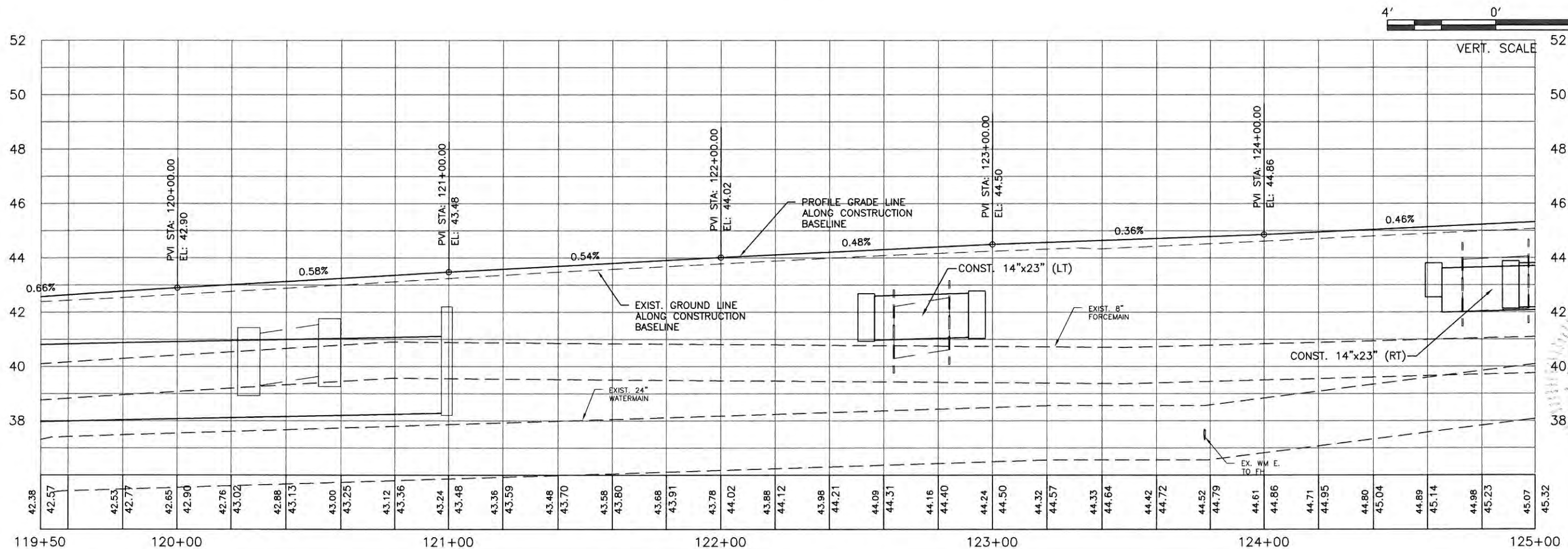
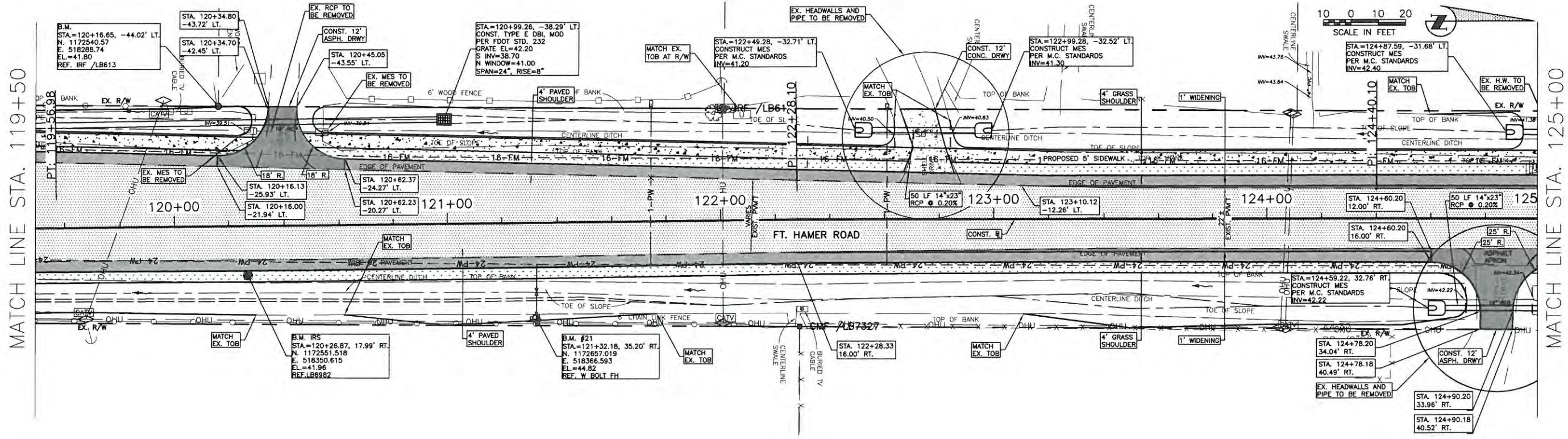


**FORT HAMER ROAD  
US 301 TO FUTURE FORT HAMER  
BRIDGE  
PLAN & PROFILE STA. 114+00 TO 119+50**

NO.	REVISION DESCRIPTION	BY	DATE


PROJECT #	323-6054764
SURVEY #	6982
SEQ./TWN./RGE	7/35S/18E
SCALE	AS NOTED
SURVEYED	ZNS 00/00/00
DESIGNED	TAAM 09/2013
DRAWN	JMF/GB 09/2013
CHECKED	LP/GB 09/2014
CHRIS L. MOWBRAY, P.E. FLORIDA P.E. # 46777	
Signature & Date <i>Chris Mowbray</i> 11/5/14	

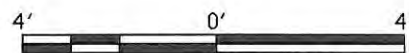
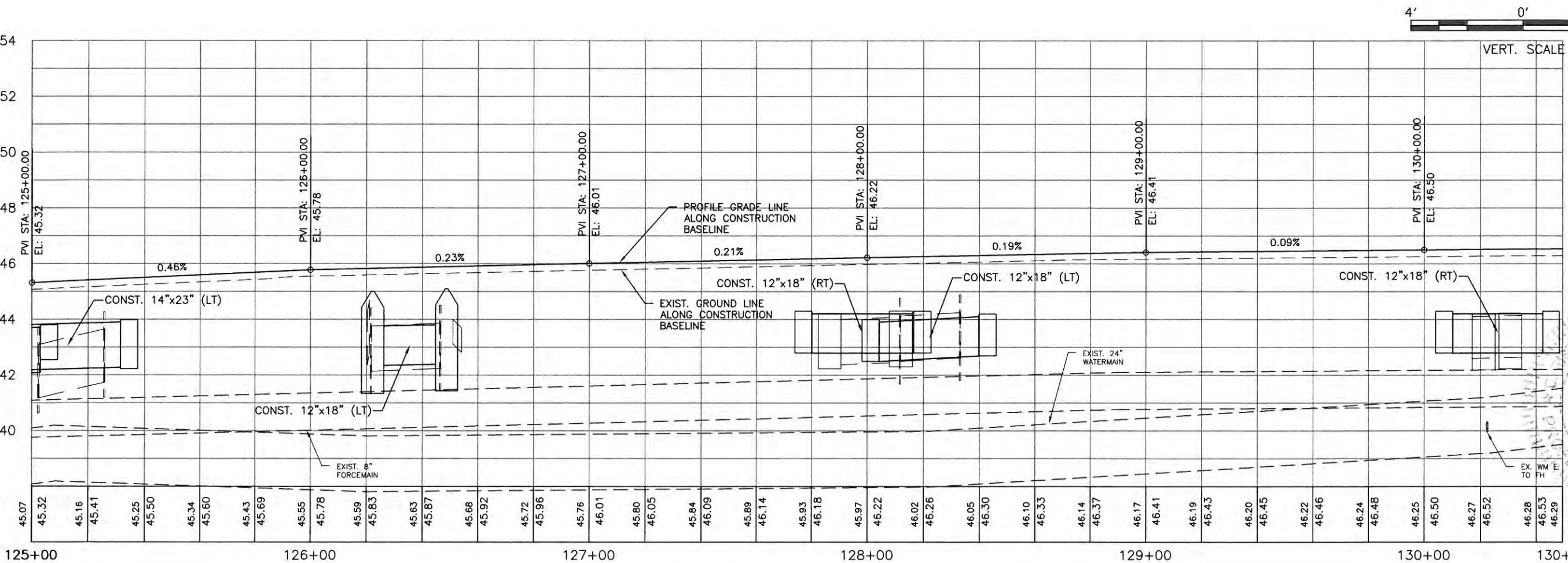
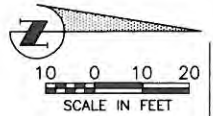
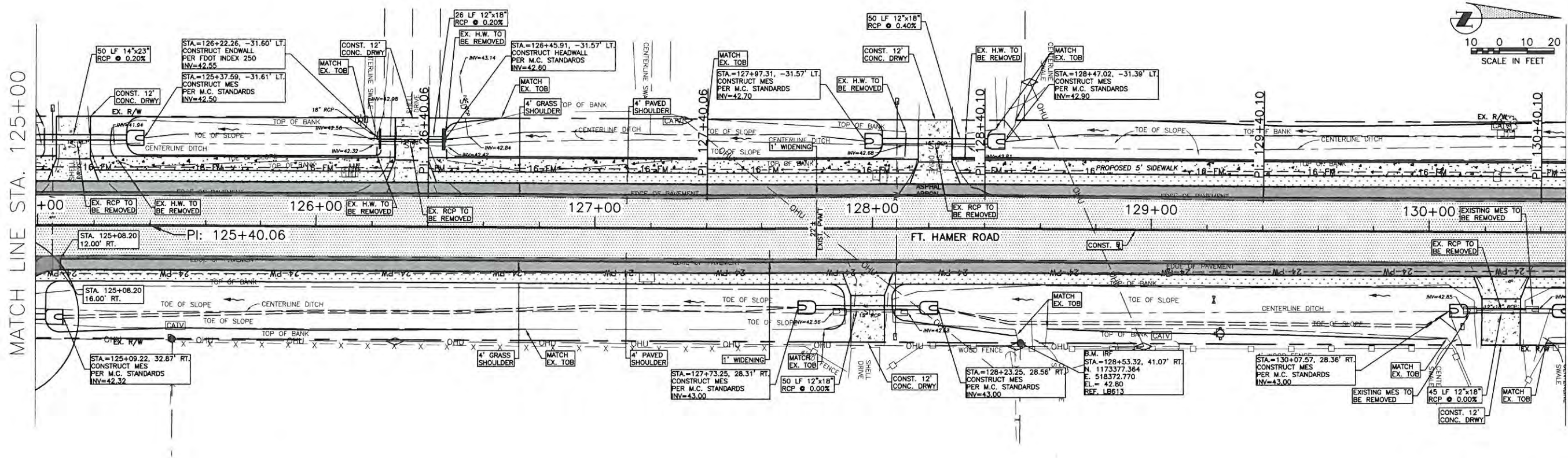


**FORT HAMER ROAD  
US 301 TO FUTURE FORT HAMER  
BRIDGE  
PLAN & PROFILE STA. 119+50 TO 125+00**

NO.	REVISION DESCRIPTION	BY	DATE


PROJECT #	323-6054764
SURVEY #	6982
SEC./TWN./RGE	7/35S/18E
SCALE	AS NOTED
BY	DATE
SURVEYED	ZNS 00/00/00
DESIGNED	AAM 08/2013
DRAWN	TMF/GB 09/2013
CHECKED	JP/GB 09/2014
CHRIS L. MOWBRAY, P.E.	
FLORIDA REG. # 46777	
 Signature & Date	



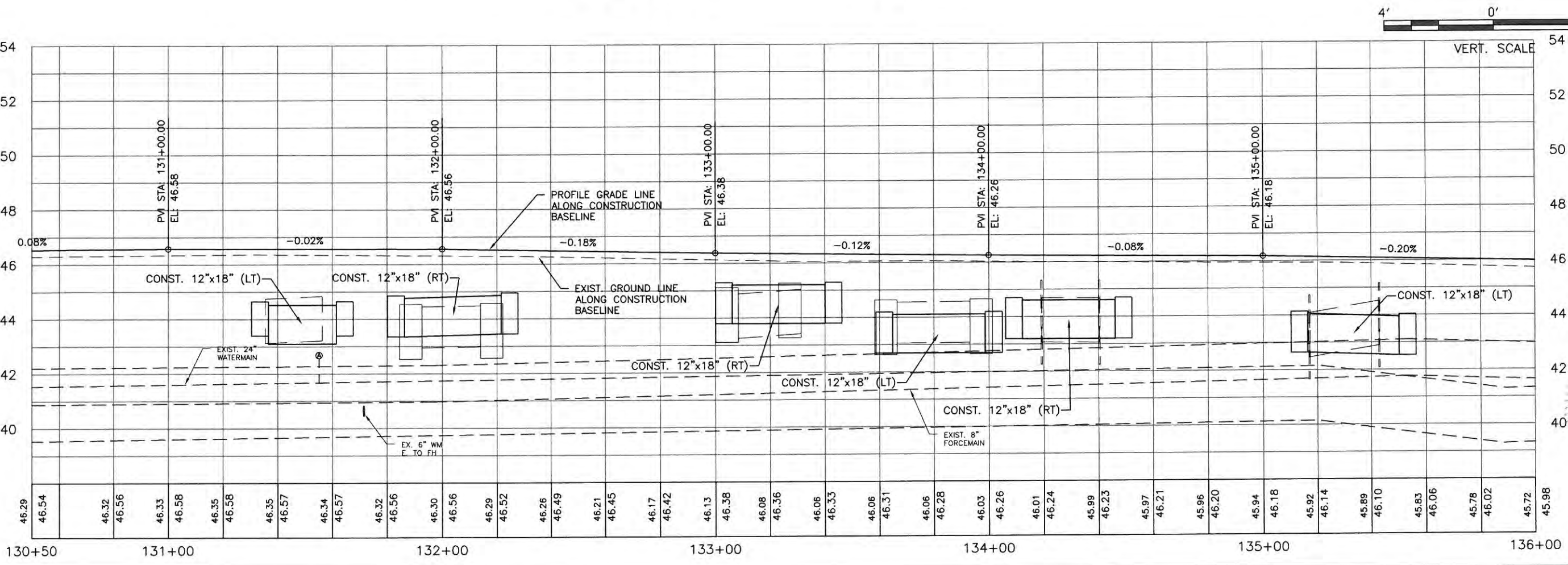
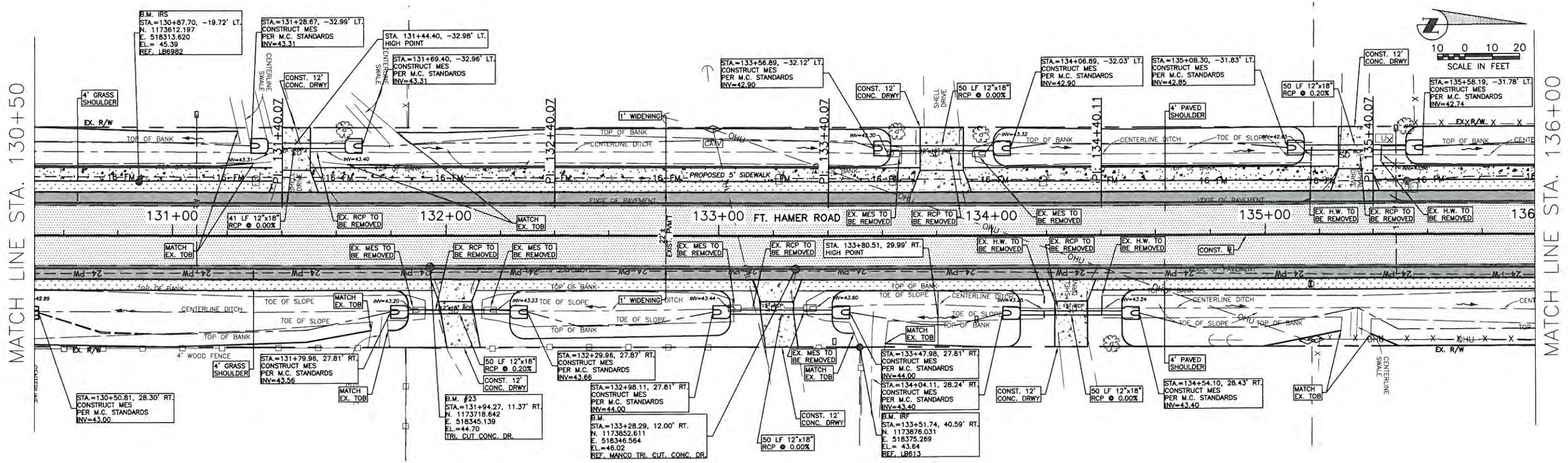
**FORT HAMER ROAD  
US 301 TO FUTURE FORT HAMER  
BRIDGE  
PLAN & PROFILE STA. 125+00 TO 130+50**

NO.	REVISION DESCRIPTION	BY	DATE

PROJECT #	323-6054764
SURVEY #	6982
SEC./TWN./RGE	7/35S/18E
SCALE	AS NOTED
BY	DATE
SURVEYED	ZNS 00/00/00
DESIGNED	AAM 09/2013
DRAWN	JMF/GB 09/2013
CHECKED	JP/GB 09/2014
CHRIS L. NOWBRAY, P.E.	FLORIDA P.E. # 46777
 Signature & Date 11/5/14	

**FORT HAMER ROAD  
US 301 TO FUTURE FORT HAMER  
BRIDGE  
PLAN & PROFILE STA. 130+50 TO 136+00**

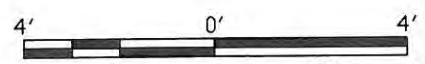
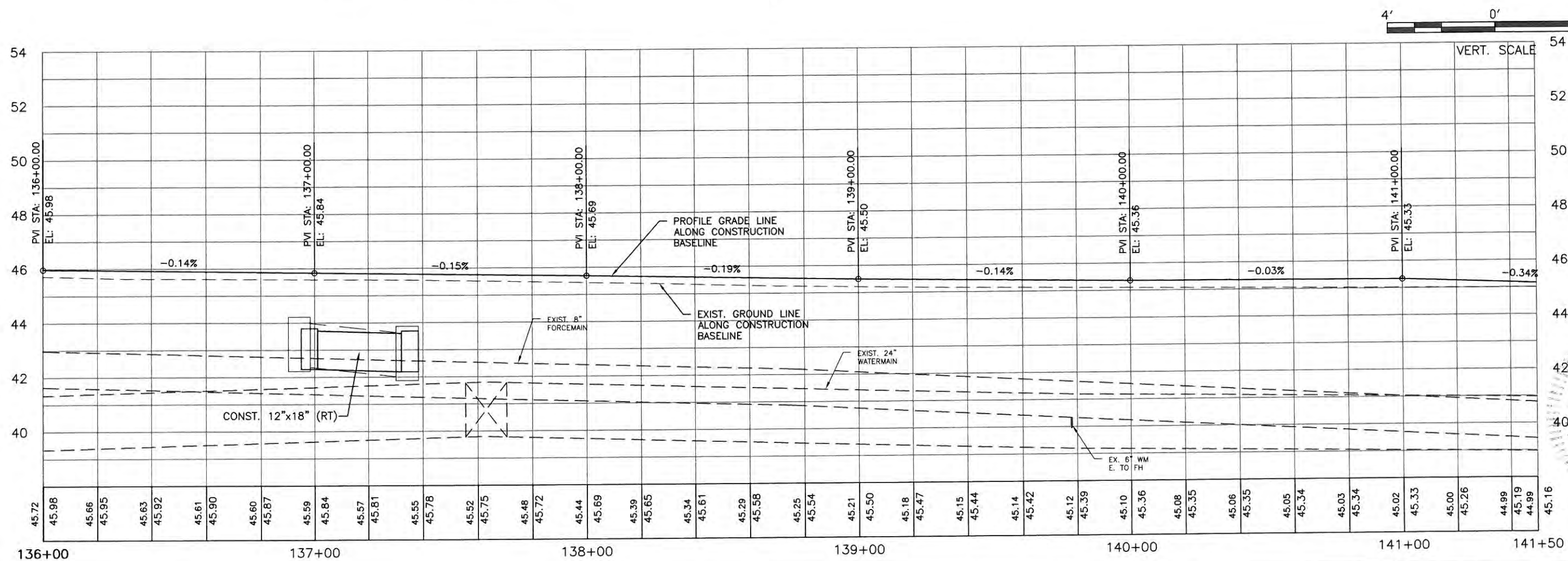
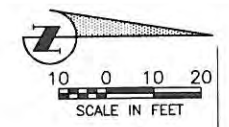
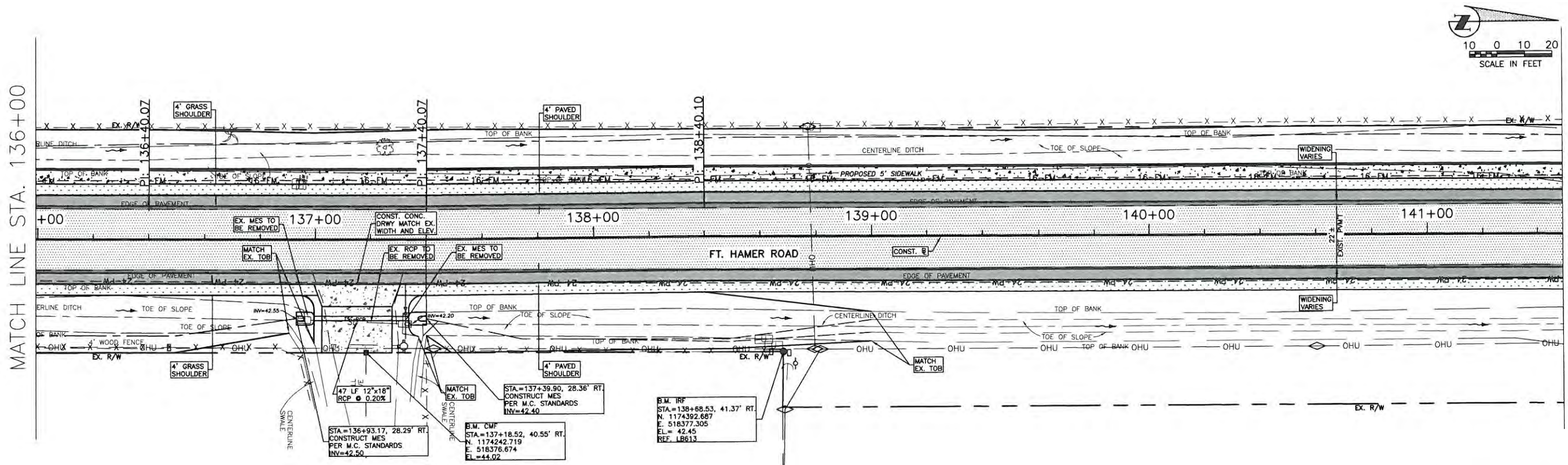


NO.	REVISION DESCRIPTION	BY	DATE

PROJECT #	323-6054764
SURVEY #	6982
SEC./TWN./RGE	7/355/18E
SCALE	AS NOTED
BY	DATE
SURVEYED	ZNEB 00/00/00
DESIGNED	AAM 09/20/14
DRAWN	TMF/GB 09/20/13
CHECKED	EJE/GB 09/20/14
CHRIS L. MOWBRAY, P.E.	FLORIDA P.E. # 46777
Signature & Date	11/9/14



**FORT HAMER ROAD  
US 301 TO FUTURE FORT HAMER  
BRIDGE  
PLAN & PROFILE STA. 136+00 TO 141+50**

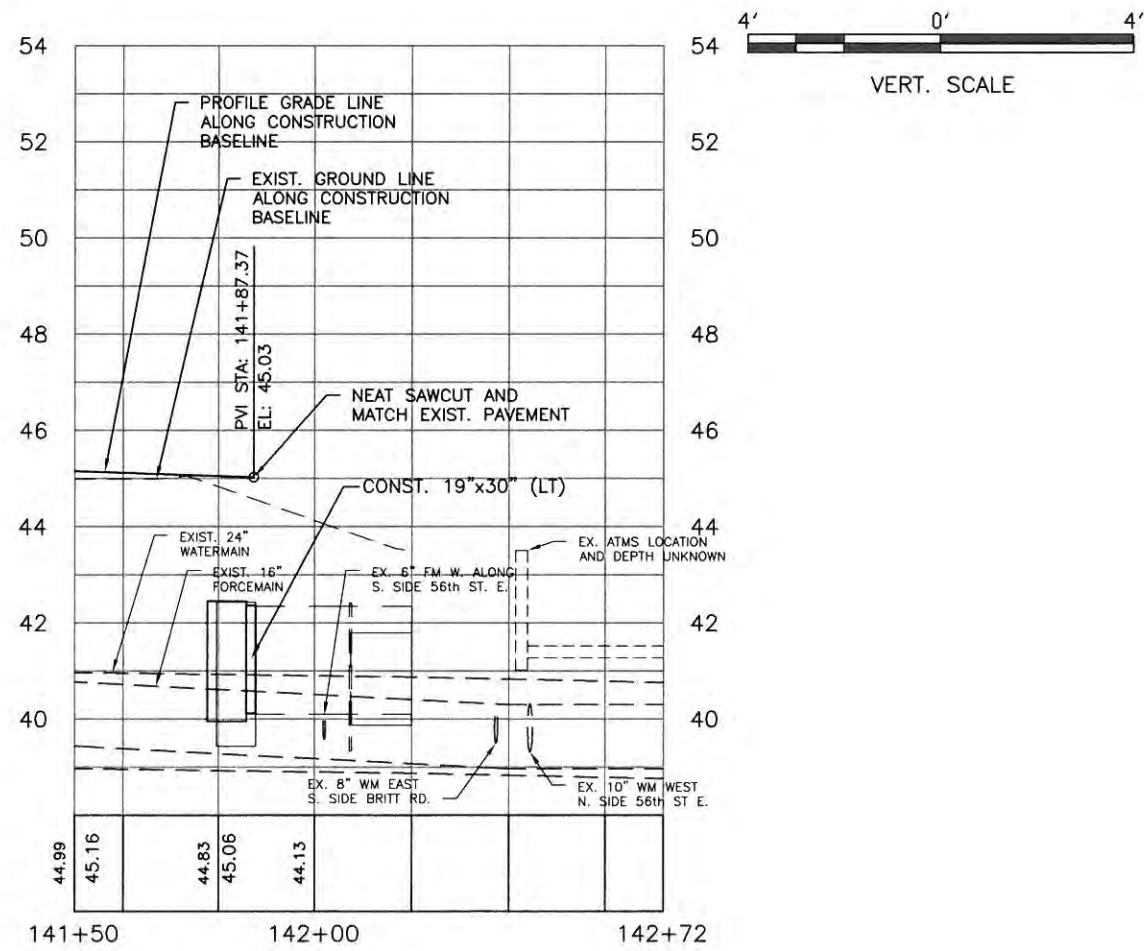
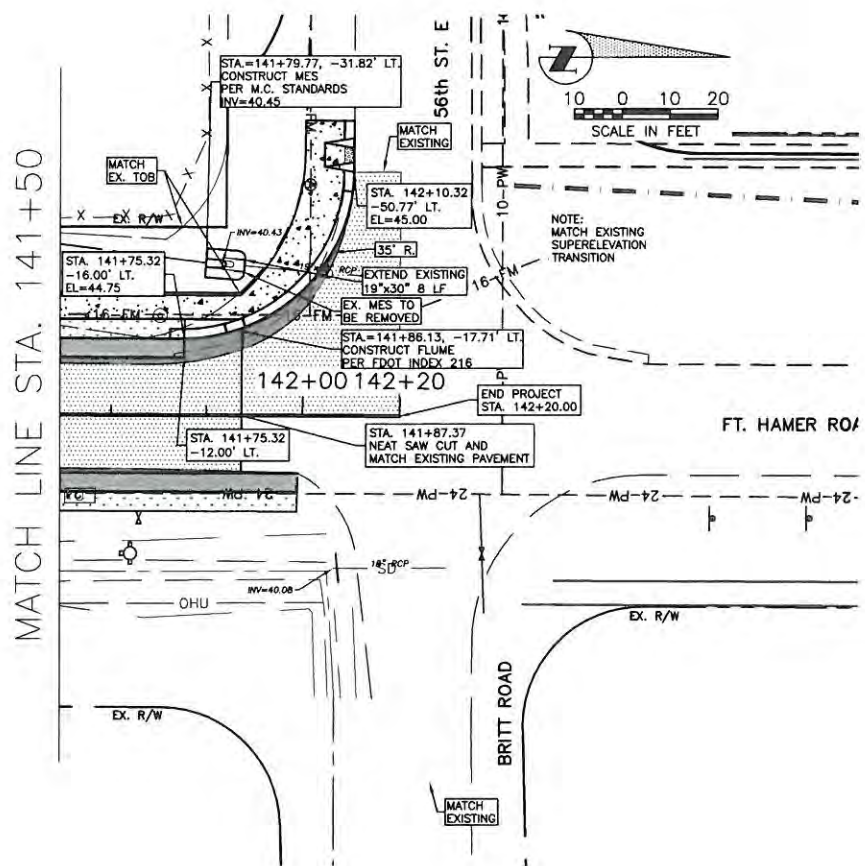


NO.	REVISION DESCRIPTION	BY	DATE

PROJECT #	323-6054764
SURVEY #	6982
SEC./TWN./RGE	13S/18E
SCALE	AS NOTED
SURVEYED	ZNS 00/00/00
DESIGNED	AAM 09/2013
DRAWN	TMF/GB 09/2013
CHECKED	JP/GB 08/2014
CHRIS L. MOWBRAY, P.E.	
FLORIDA P.E. # 46777	
Signature & Date	

**FORT HAMER ROAD  
US 301 TO FUTURE FORT HAMER  
BRIDGE  
PLAN & PROFILE STA. 141+50 TO 142+19**



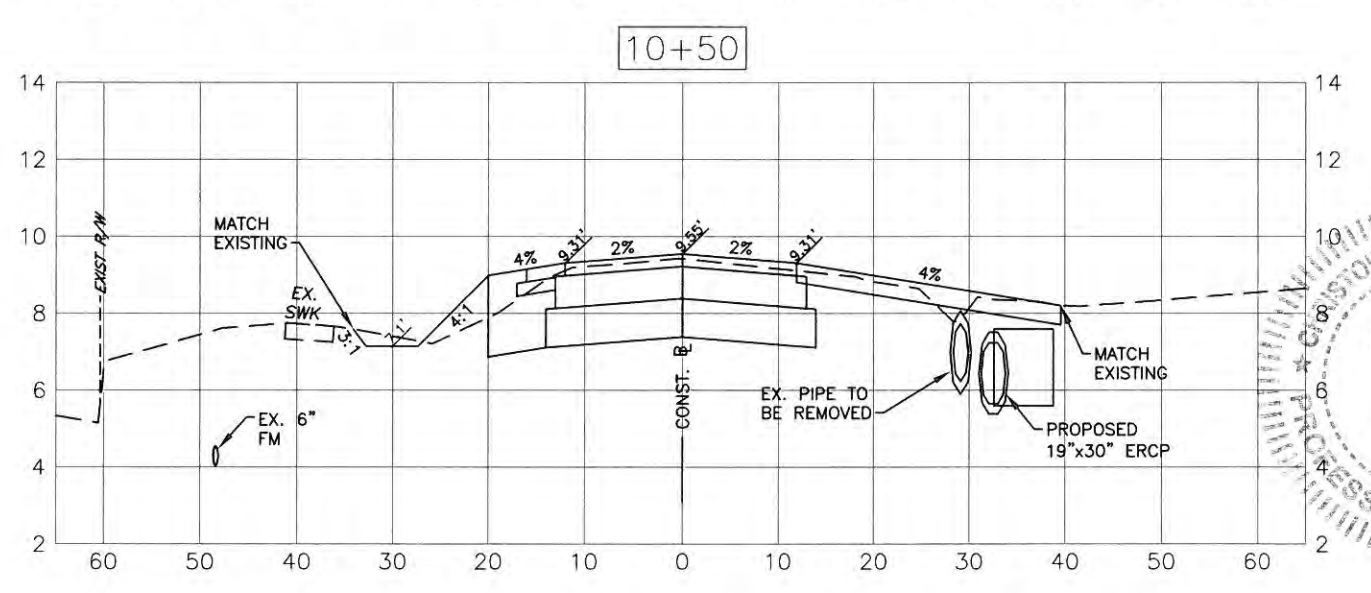
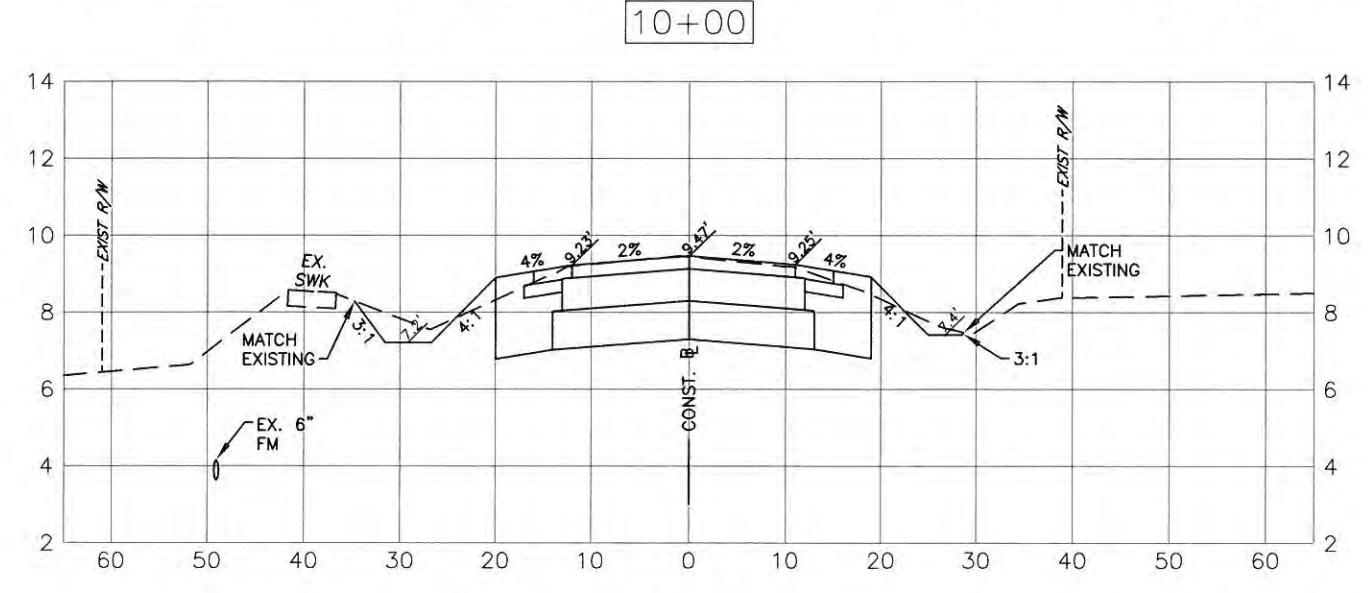
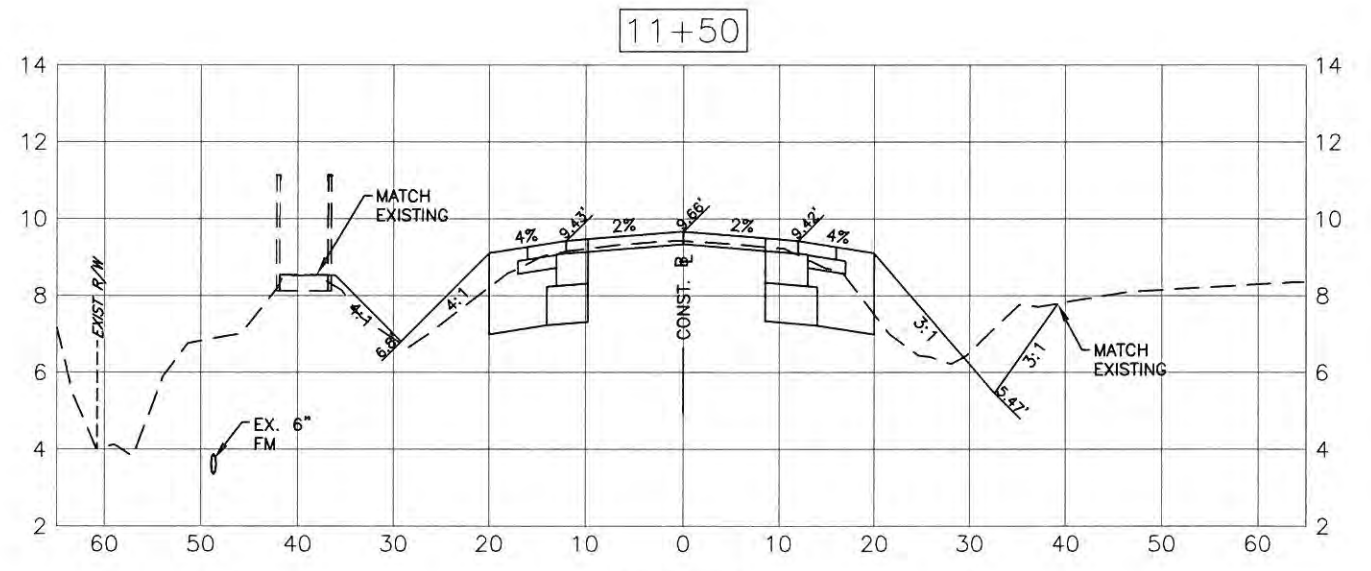
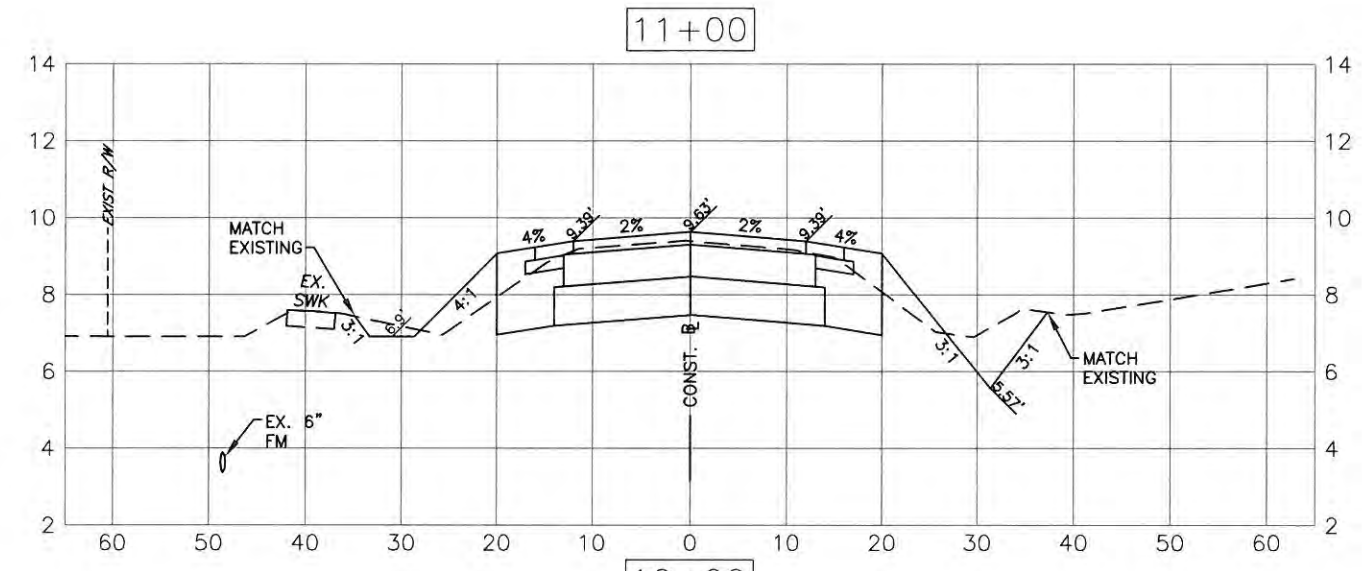
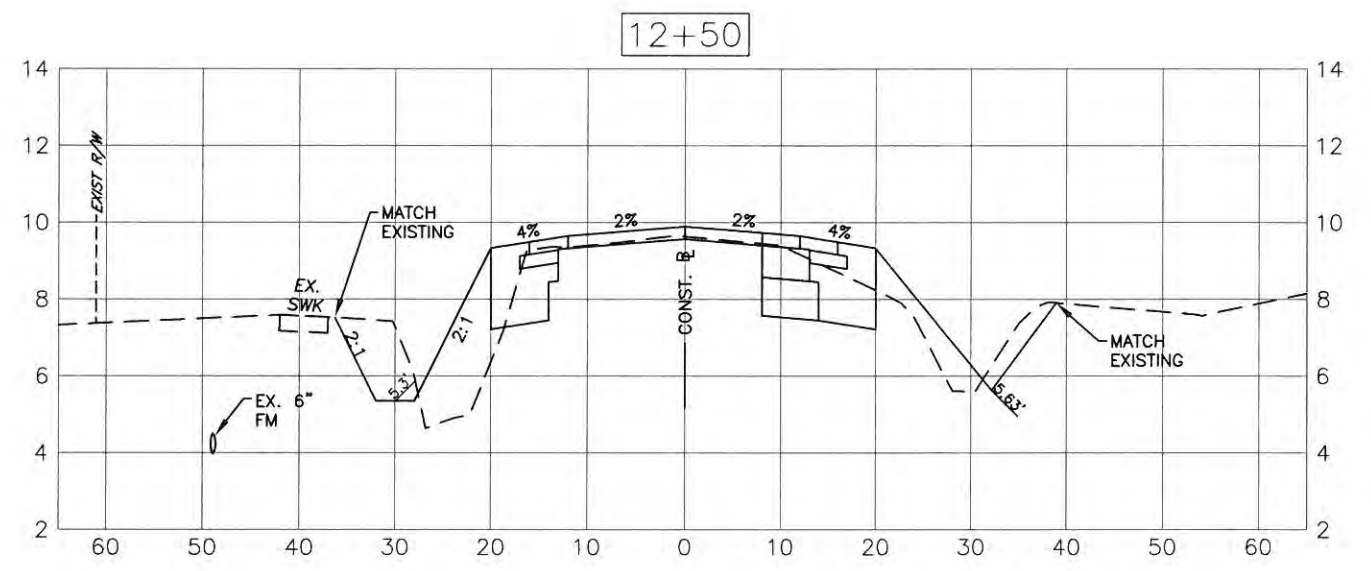
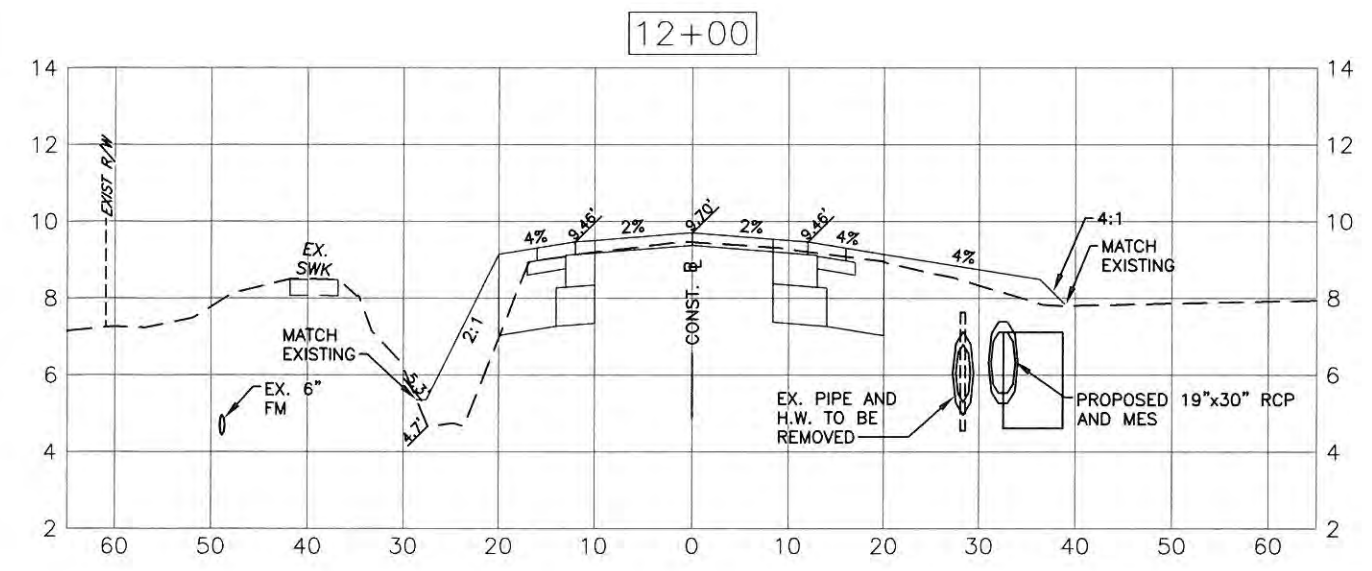
PROJECT #	323-6054764
SURVEY #	6982
SEC./TWN./RGE	7/35S/18E
SCALE	AS NOTED
BY	DATE
SURVEYED	ZNS 00/00/00
DESIGNED	ARM 09/2013
DRAWN	TMP/GB 09/2013
CHECKED	JF/GB 09/2014
CHRIS L. MOWBRAY, P.E.	
FLORIDA P.E. # 46777	
11/5/14	
Signature & Date	

s:\pww\engineering\_shares\highway\_engineering\ROADS\fort\_hamer\_road\DWG\141\_11\117



PUBLIC WORKS DEPARTMENT  
ENGINEERING SERVICES  
1022 26th Avenue East, Bradenton, FL 34208

# FORT HAMER ROAD PHASE II US 301 TO FUTURE FORT HAMER BRIDGE CROSS SECTIONS STA 10+00 TO STA 12+50



NO.	REVISION DESCRIPTION	BY	DATE

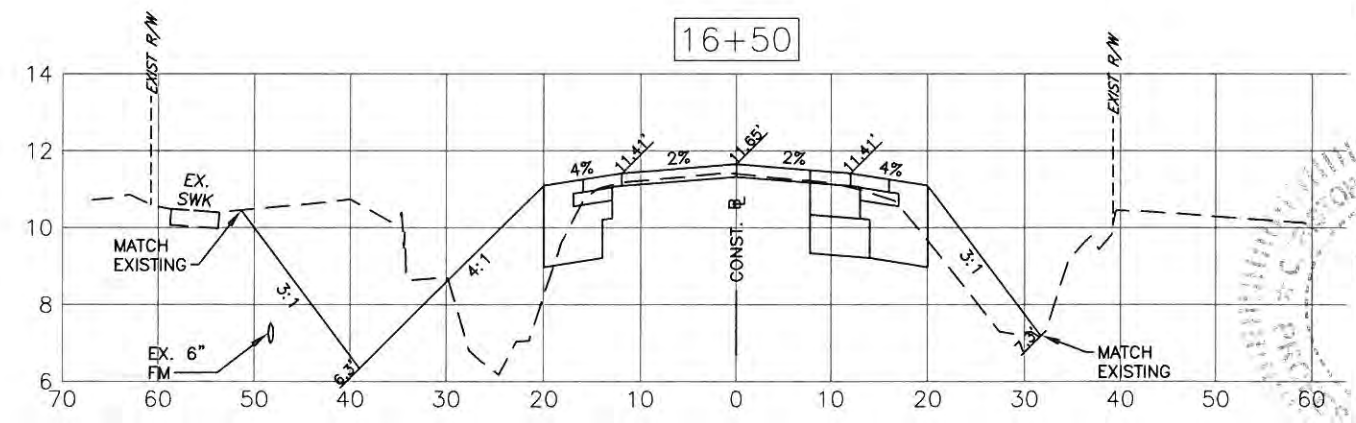
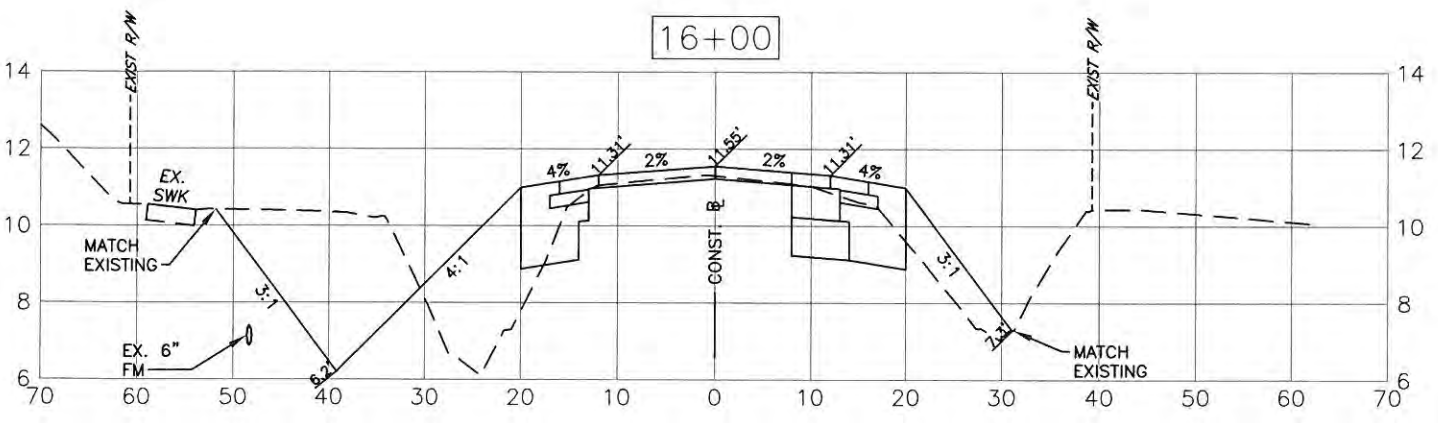
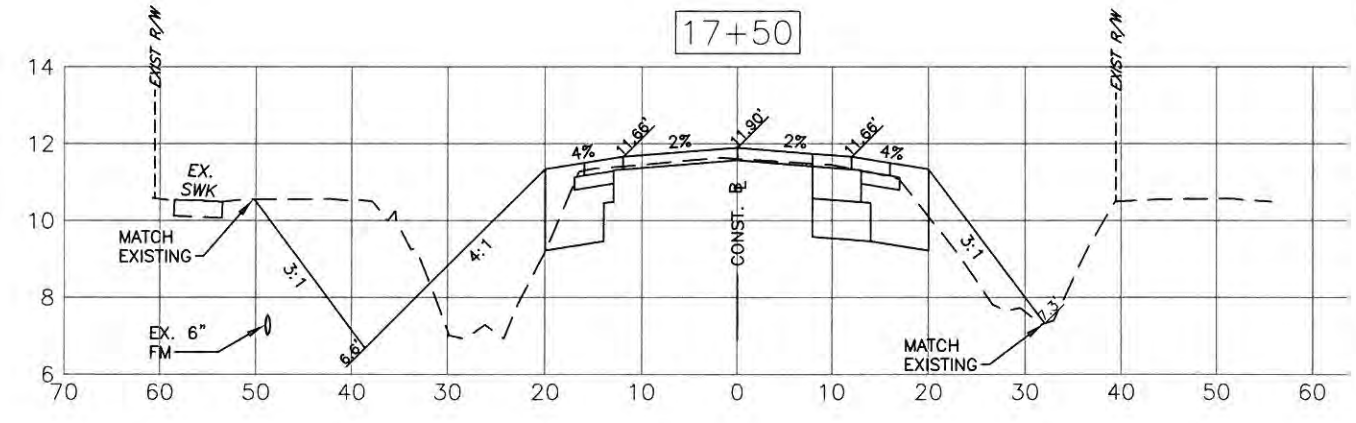
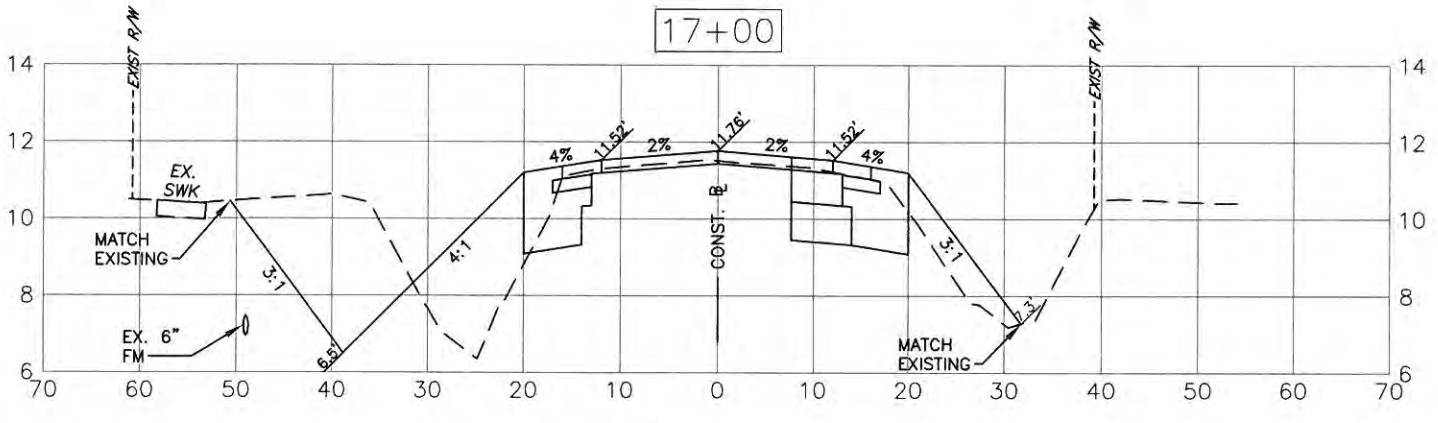
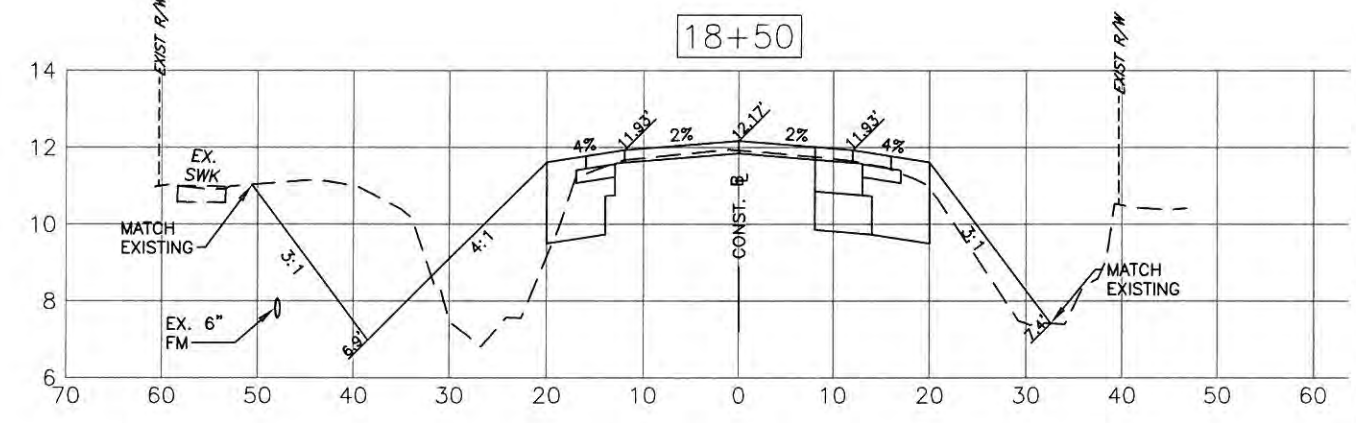
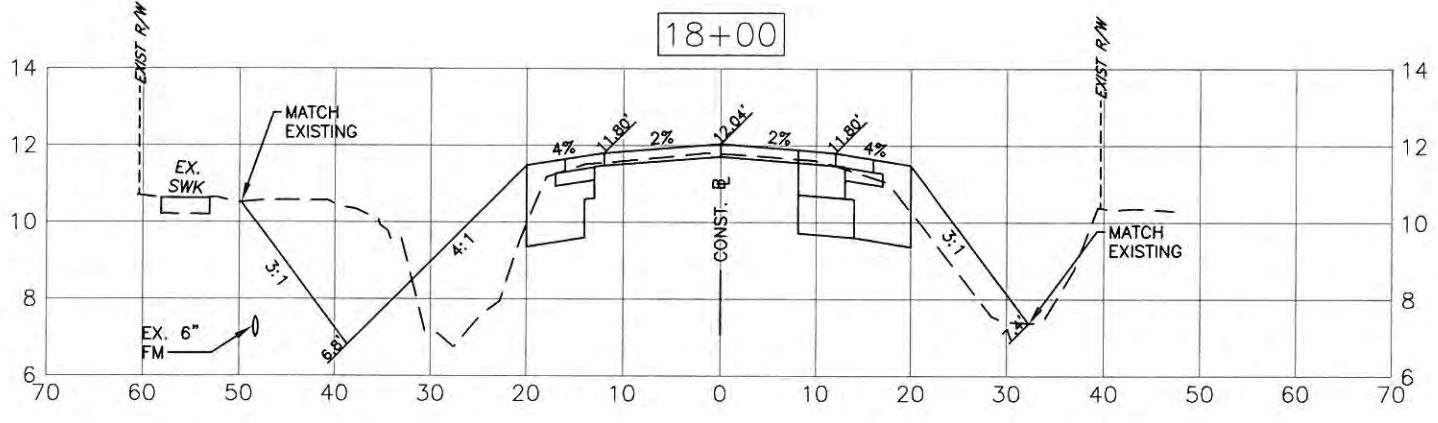
  

PROJECT #	323-6054764	
SURVEY #	5303	
SEC./TWN/RGE	7/35S/18E	
SCALE	H=1:20, V=1:5	
SURVEYED	ZNS	DATE
DESIGNED	AAM	01/11/13
DRAWN	TMF	01/11/13
CHECKED	JP/GS	06/2014

CHRIS L. MOWBRAY, P.E.  
FLORIDA P.E. # 46777  
11/5/14  
Signature & Date



**FORT HAMER ROAD PHASE II US**  
**301 TO FUTURE FORT HAMER**  
**BRIDGE**  
**CROSS SECTIONS**  
**STA 16+00 TO STA 18+50**



NO.	REVISION DESCRIPTION	BY	DATE

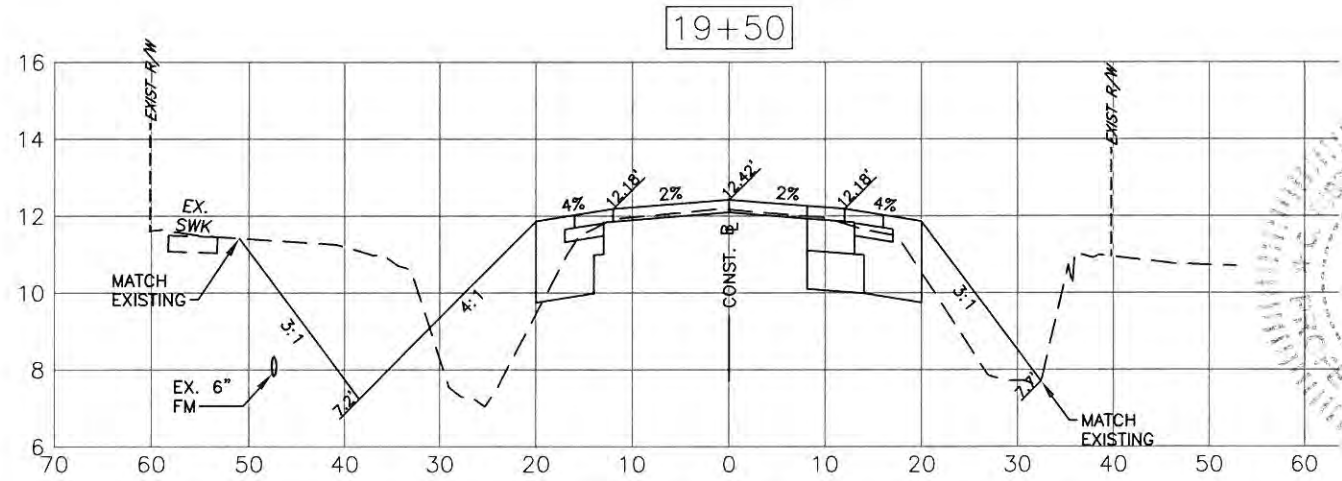
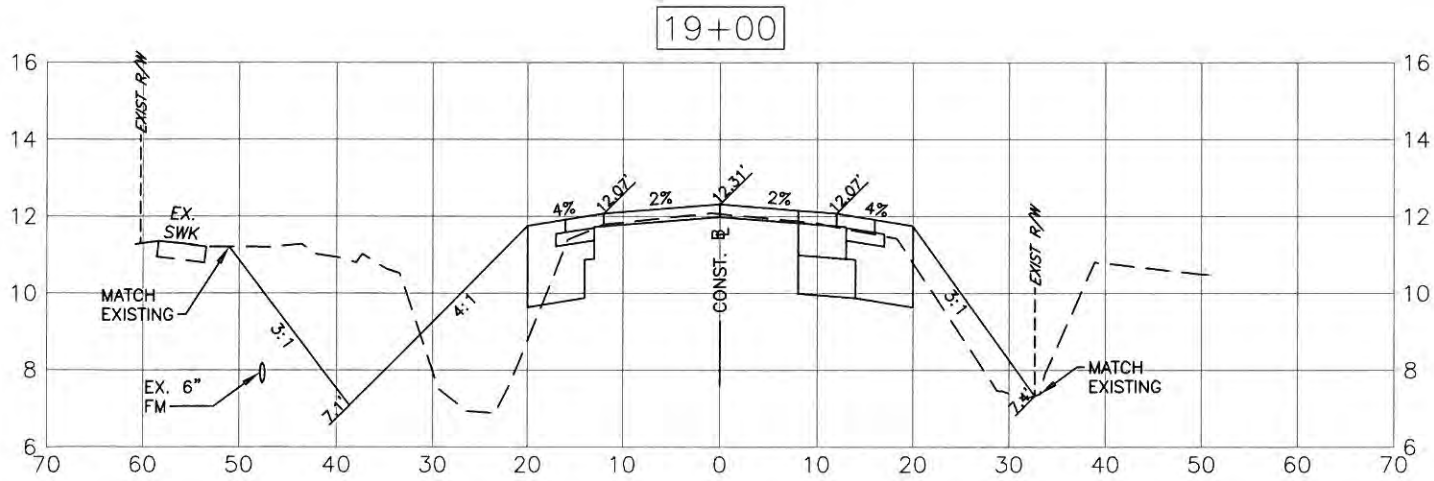
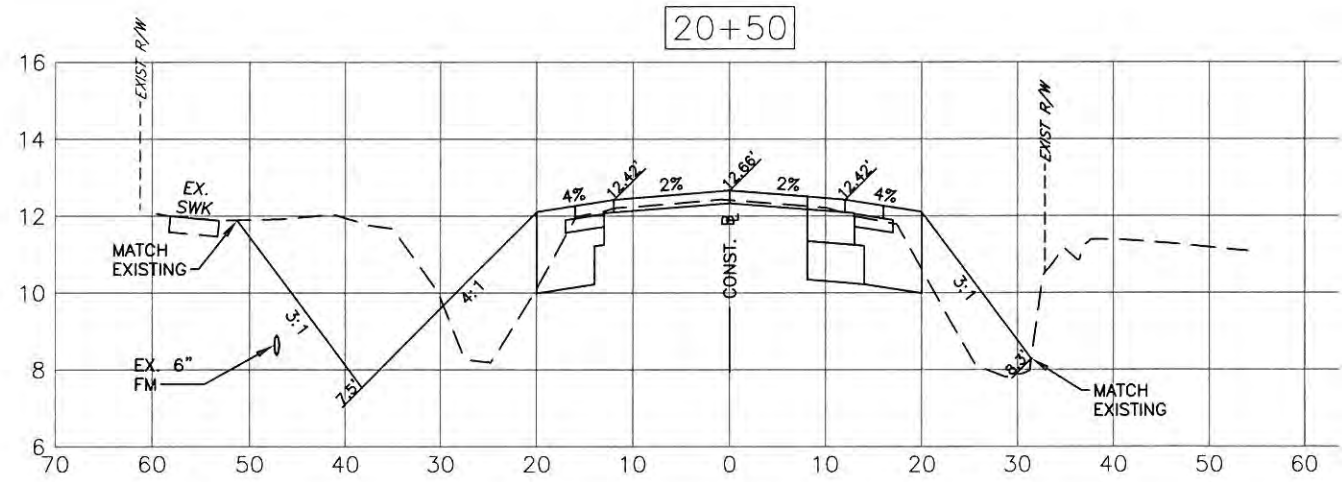
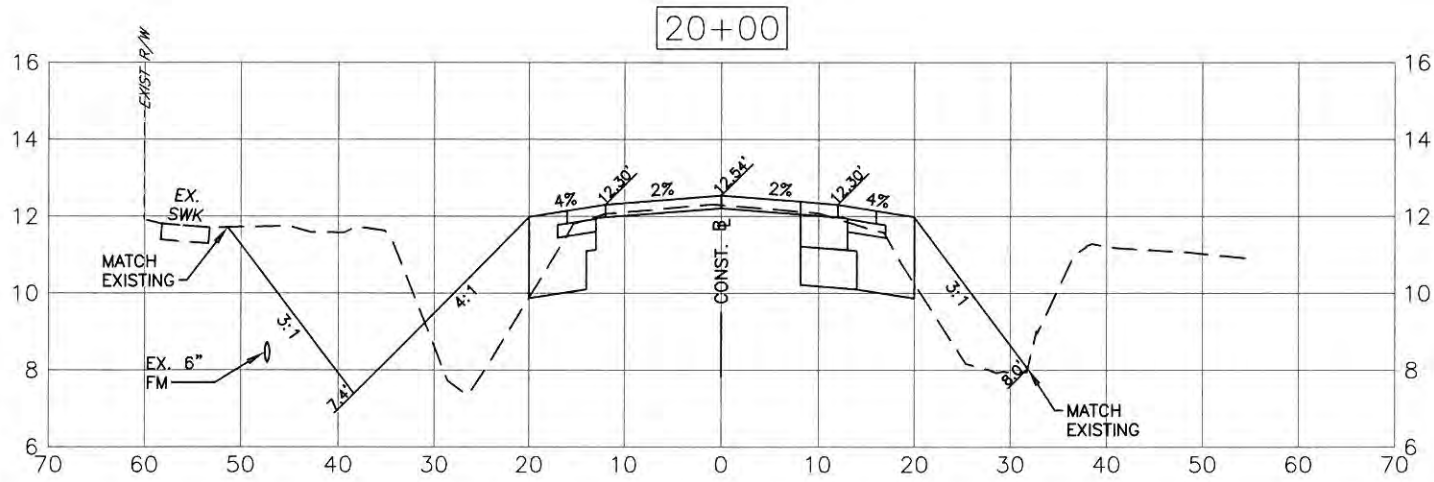
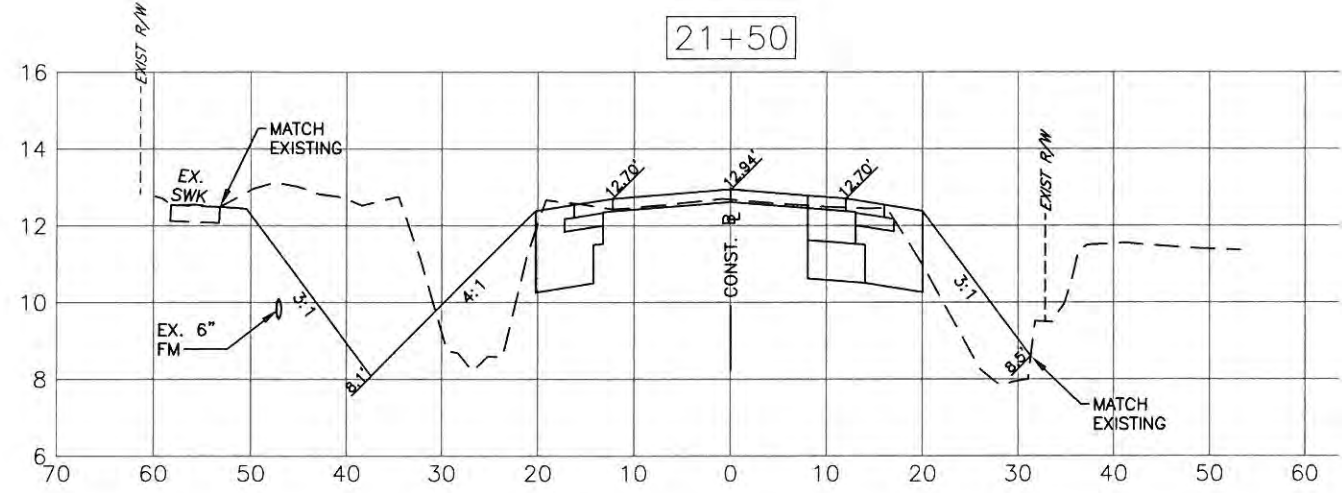
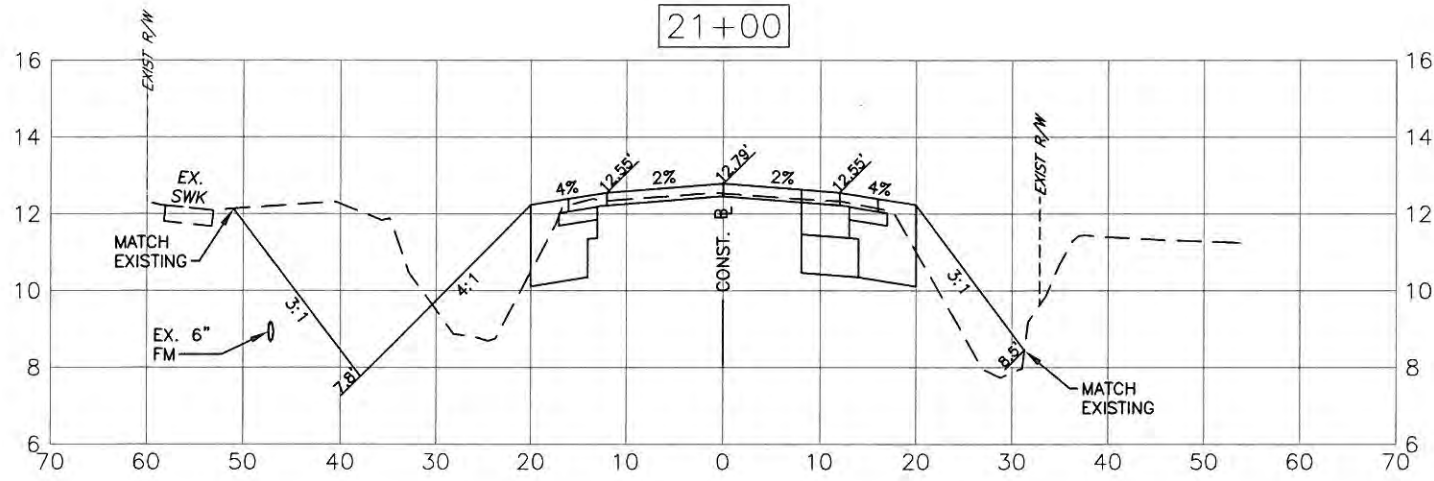
  

PROJECT #	323-6054764
SURVEY #	5303
SEC./TWN./RGE	7/35S/18E
SCALE	H=1/20, V=1/5
BY	DATE
SURVEYED	ZNS
DESIGNED	AAM 01/11/13
DRAWN	TMF 01/11/13
CHECKED	JP/GB 09/20/14
CHRIS C. MOWBRAY, P.E.	FLORIDA P.E. # 46777
Signature & Date	



PUBLIC WORKS DEPARTMENT  
ENGINEERING SERVICES  
1022 26th Avenue East, Bradenton, FL 34208

# FORT HAMER ROAD PHASE II US 301 TO FUTURE FORT HAMER BRIDGE CROSS SECTIONS STA 19+00 TO STA 21+50



NO.	REVISION DESCRIPTION	BY	DATE

PROJECT #	323-6054764
SURVEY #	5303
SEC./TWN/RGE.	7/85E/18E
SCALE	H=1:20, V=4:5
BY	DATE
SURVEYED	ZNS
DESIGNED	AAM 01/11/13
DRAWN	TMF 01/11/13
CHECKED	JR/GB 08/20/14
CHRIS L. MOWBRAY, P.E.	
FLORIDA P.E. # 46727	

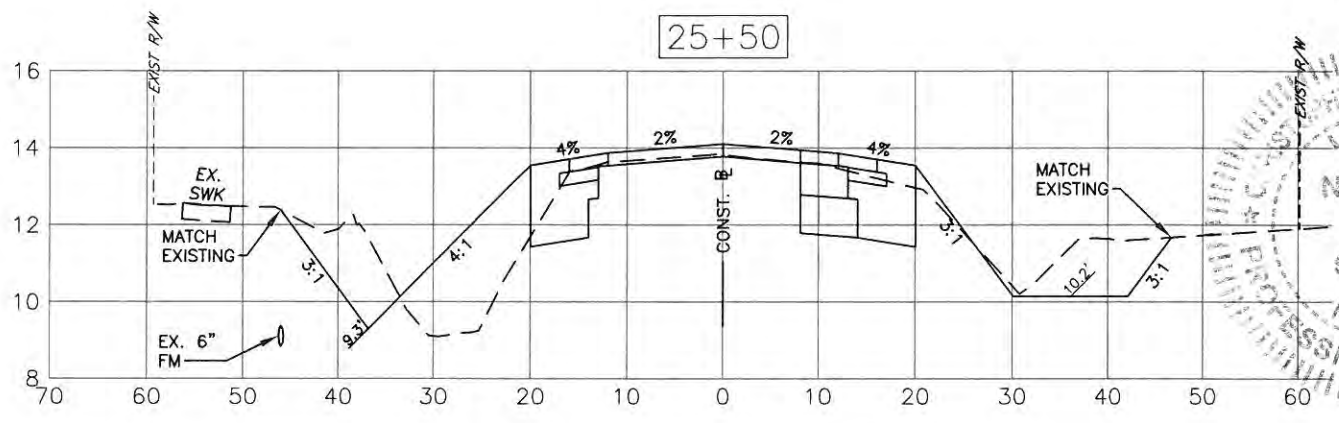
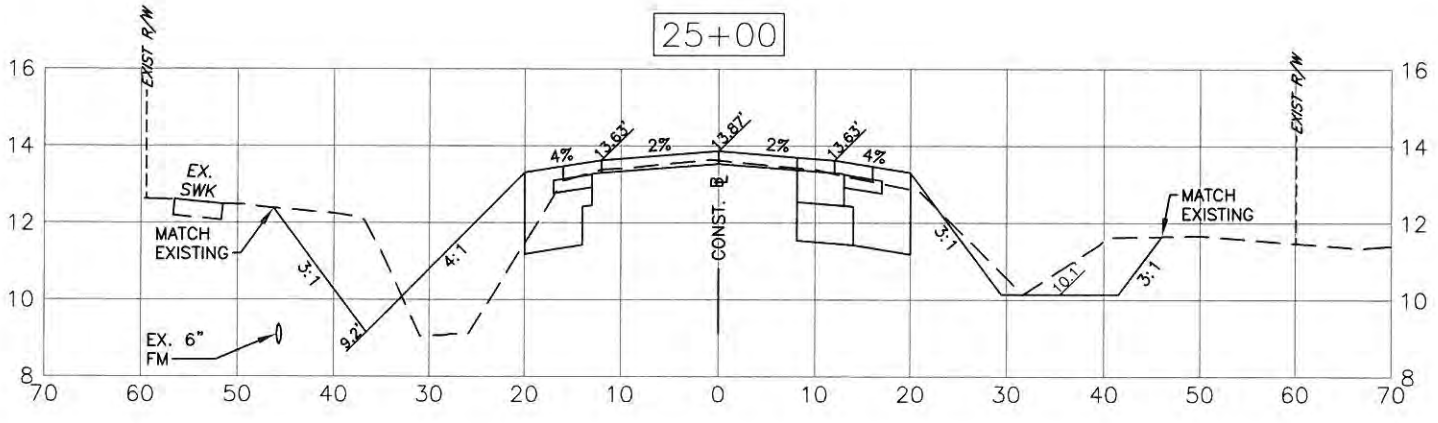
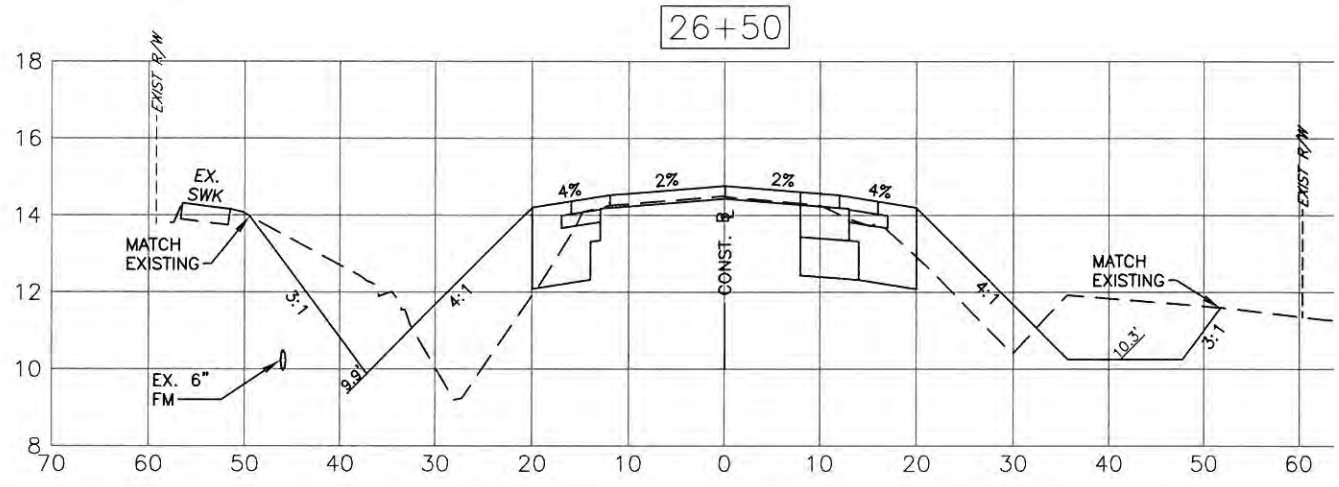
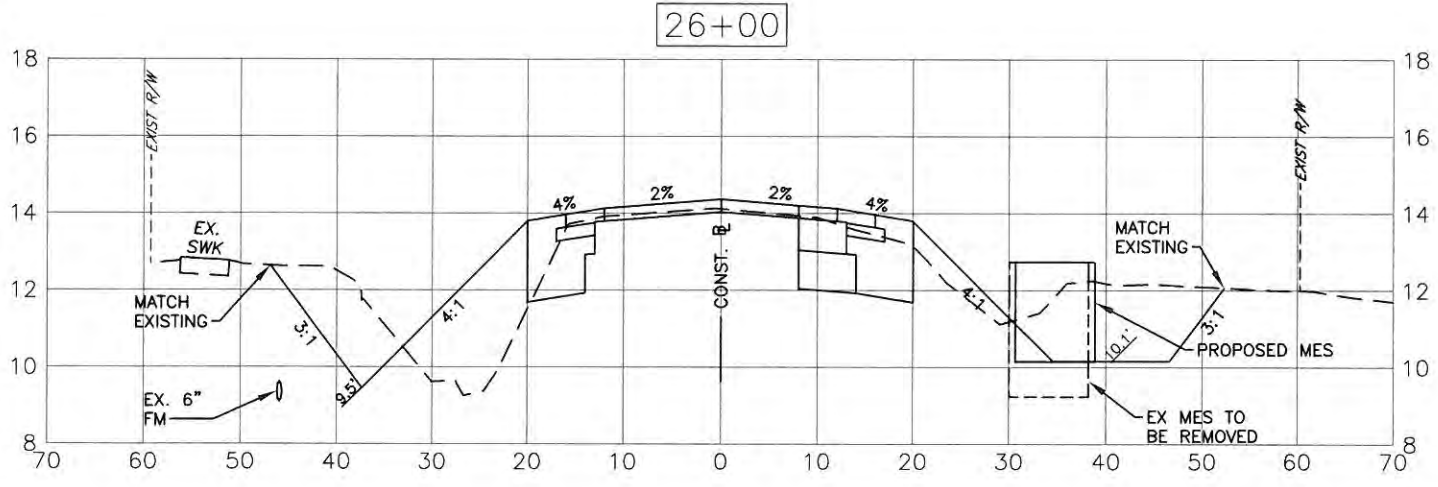
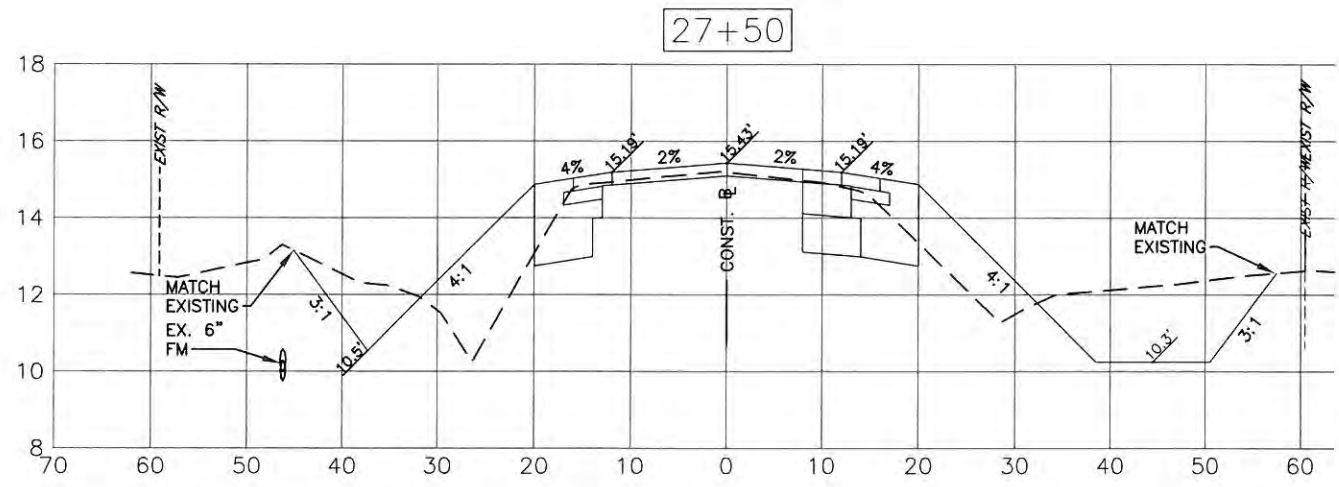
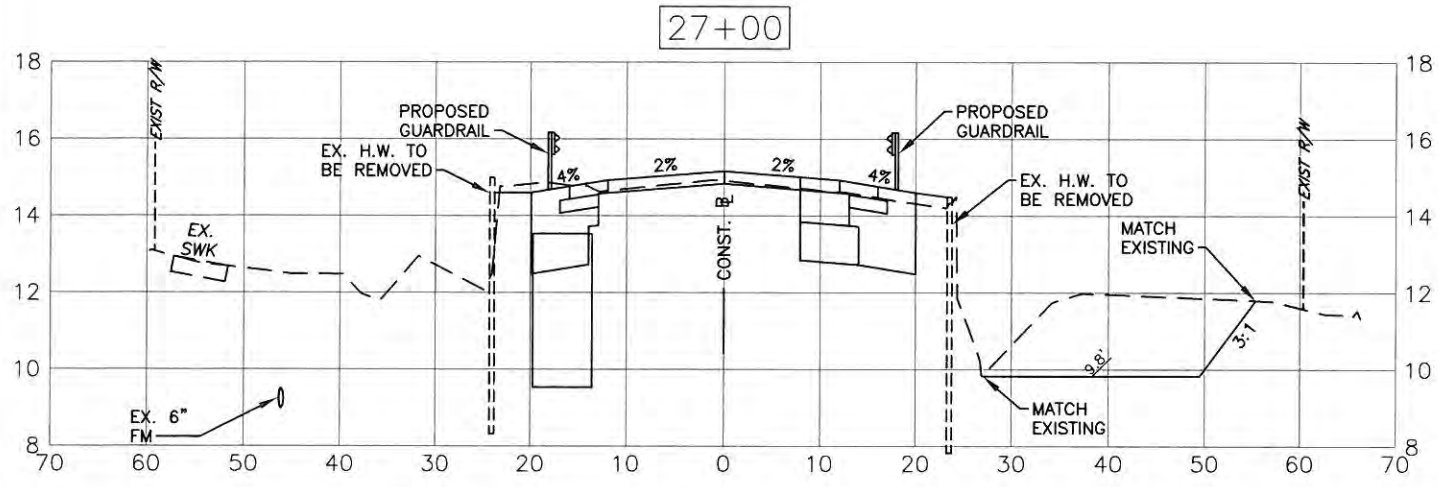
Signature & Date





PUBLIC WORKS DEPARTMENT  
ENGINEERING SERVICES  
1022 26th Avenue East, Bradenton, FL 34208

**FORT HAMER ROAD PHASE II US  
301 TO FUTURE FORT HAMER  
BRIDGE  
CROSS SECTIONS  
STA 25+00 TO STA 27+50**



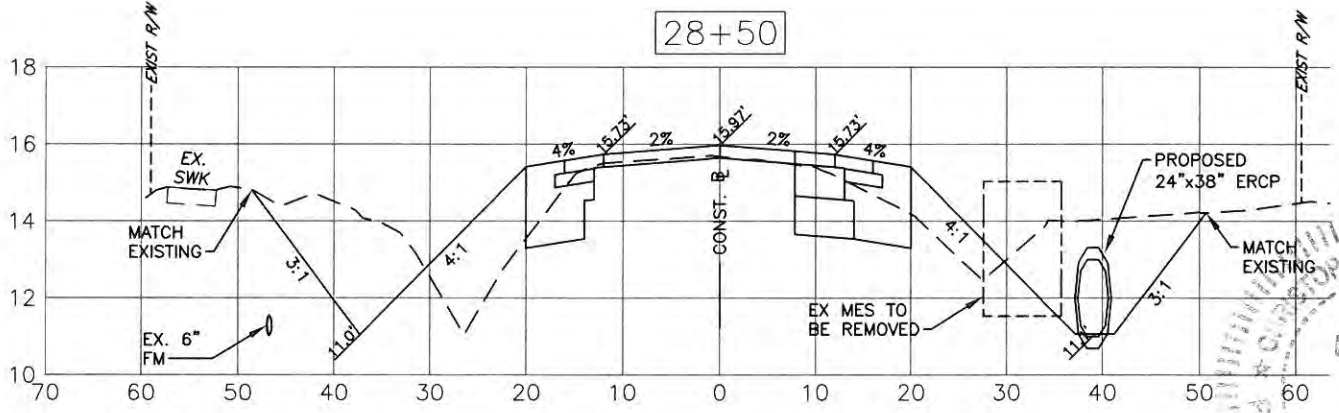
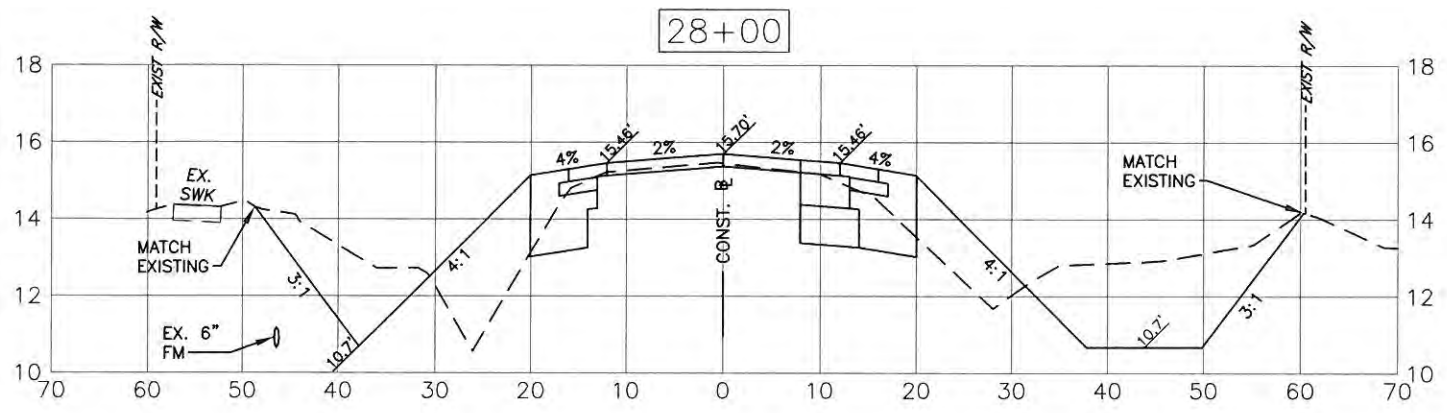
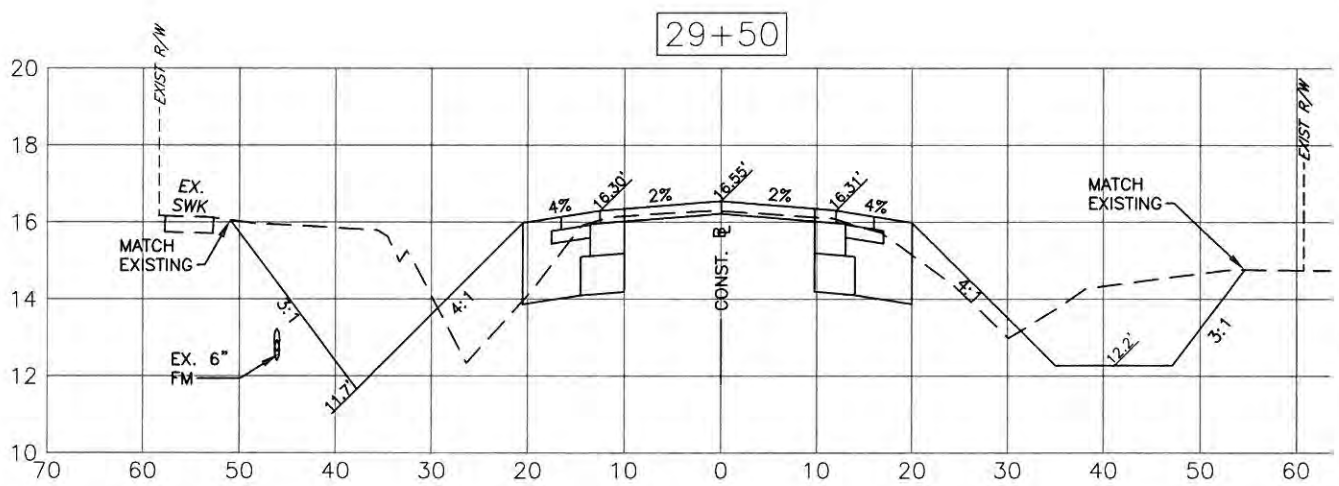
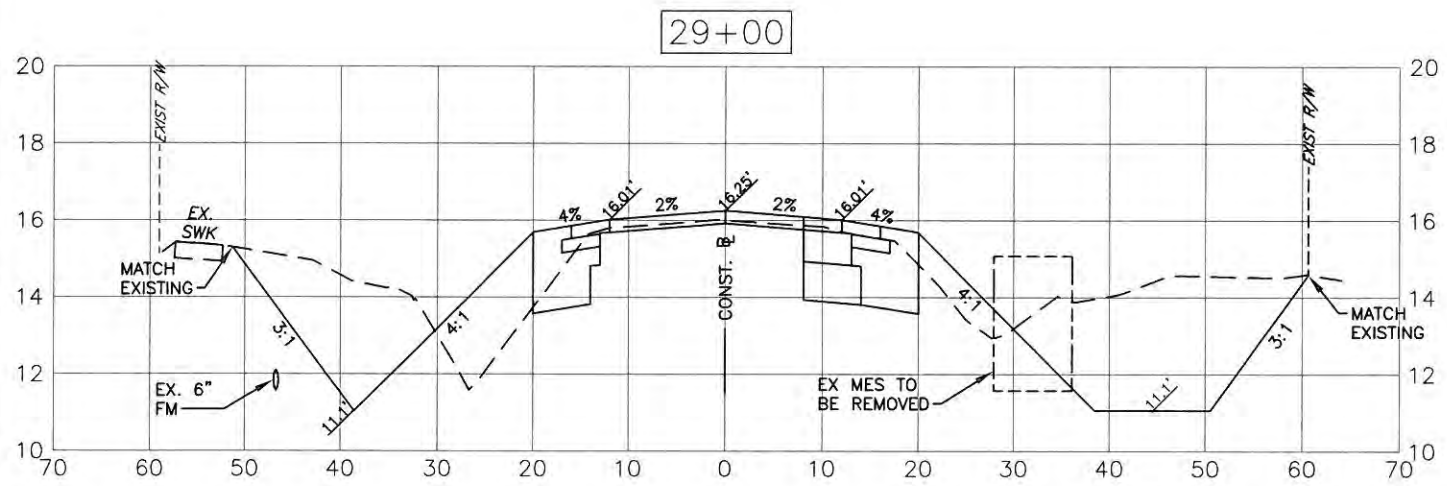
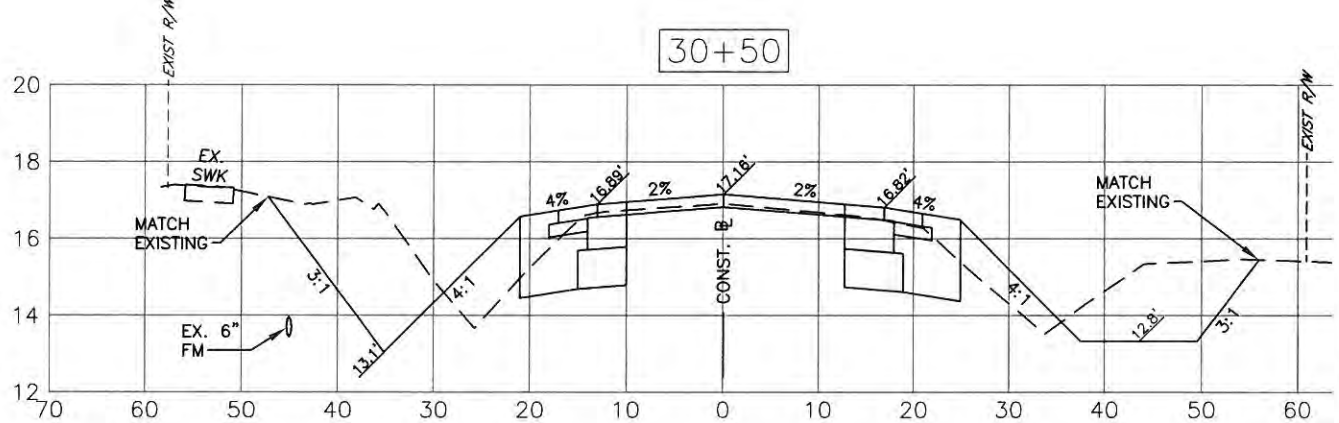
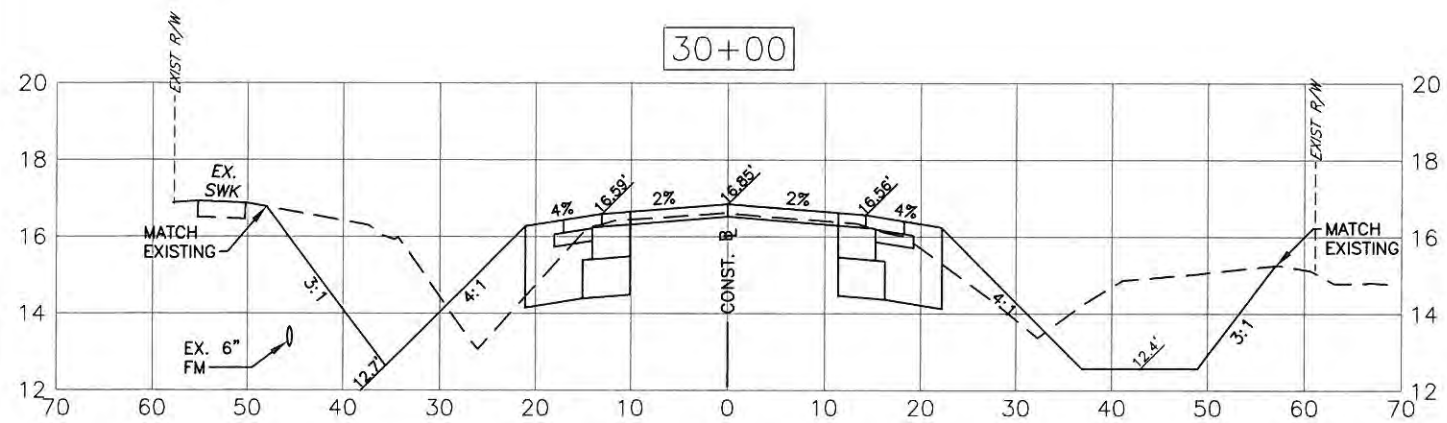
NO.	REVISION DESCRIPTION	BY	DATE

PROJECT #	323-6054764
SURVEY #	5303
SEC./TWN./RGE	7/35S/18E
SCALE	H=1:20, V=1:5
BY	DATE
SURVEYED	ZNS
DESIGNED	AAM 01/11/13
DRAWN	TMF 01/11/13
CHECKED	JP/GB 09/20/14
<b>S. CHRISTIE MOWBRAY, P.E.</b> FLORIDA P.E. # 46777 Signature & Date	



**FORT HAMMER ROAD PHASE II US  
301 TO FUTURE FORT HAMER  
BRIDGE  
CROSS SECTIONS  
STA 28+00 TO STA 30+50**



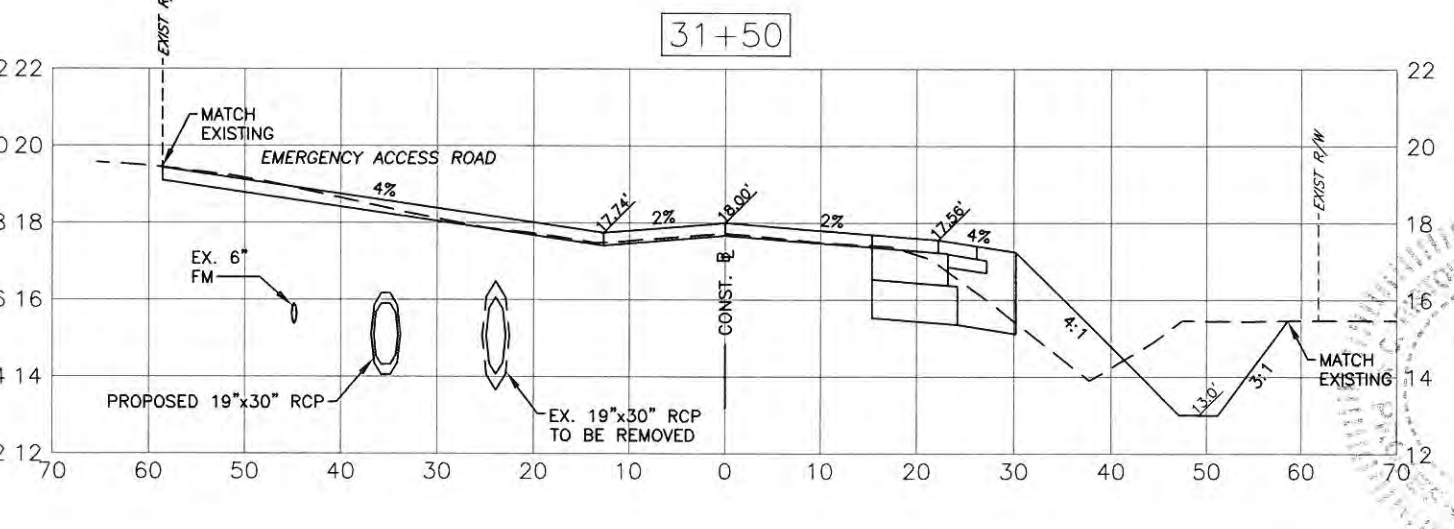
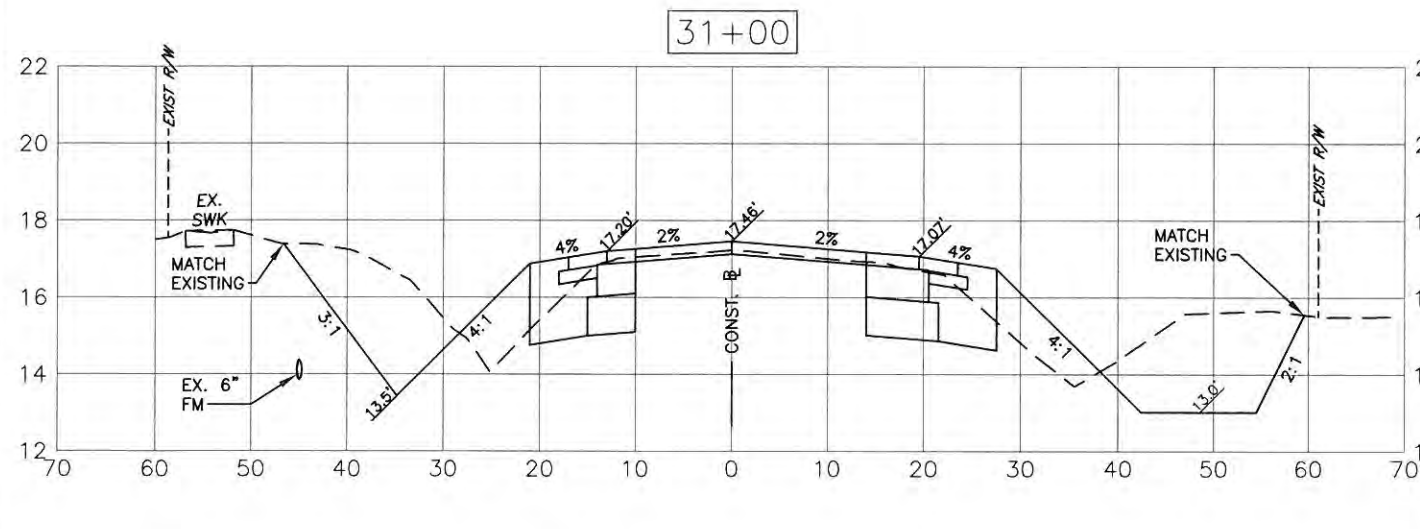
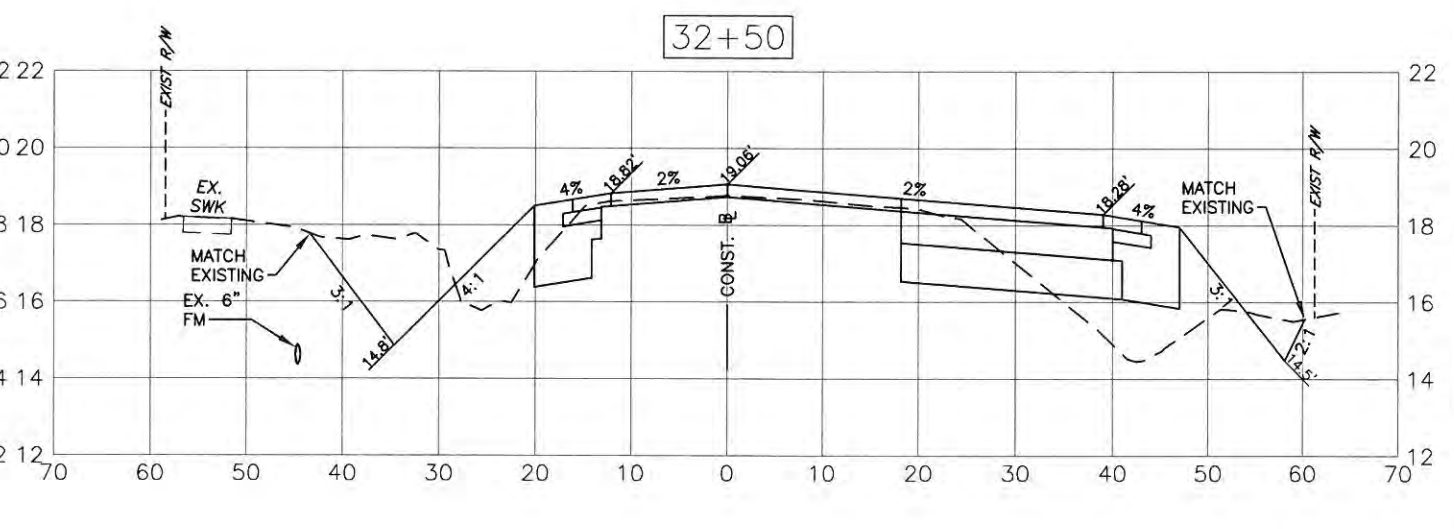
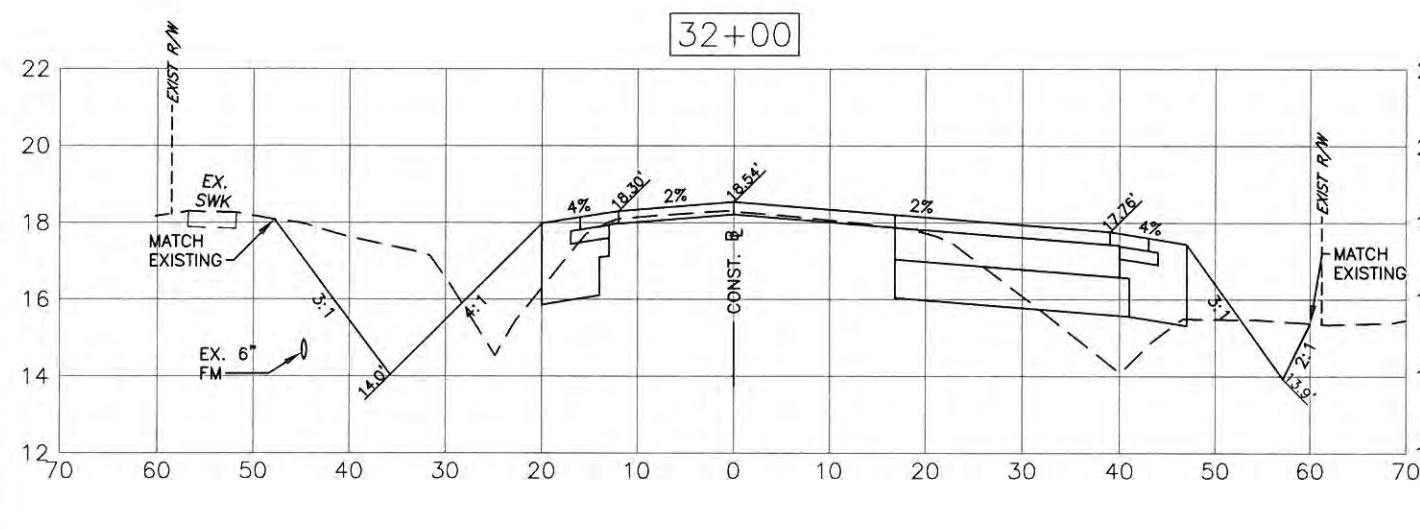
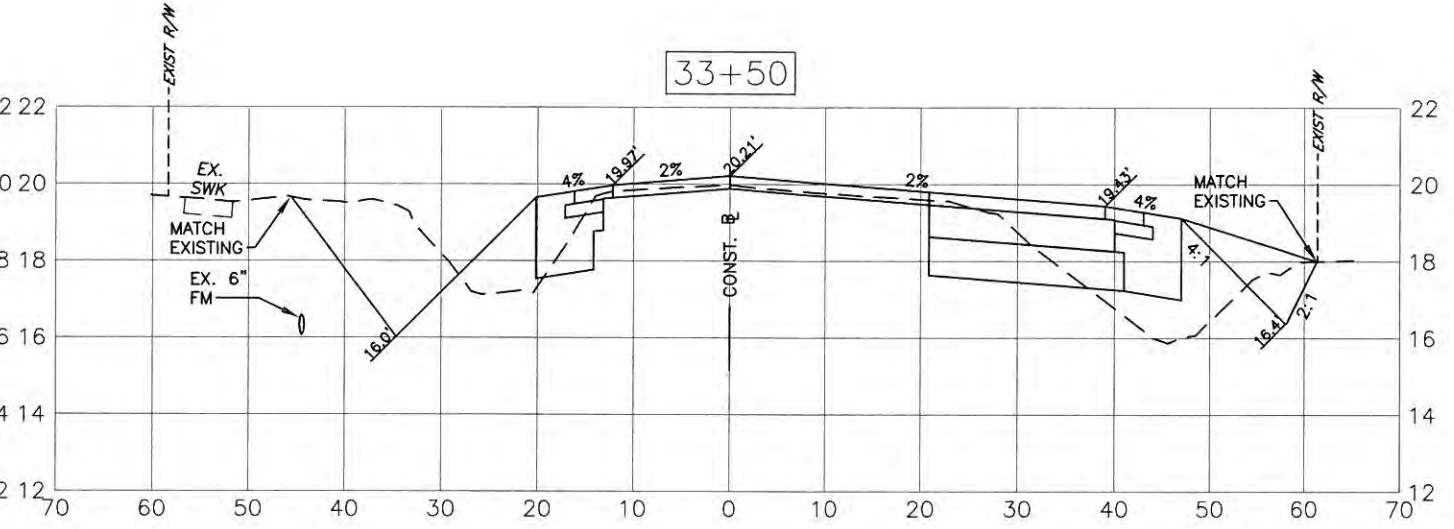
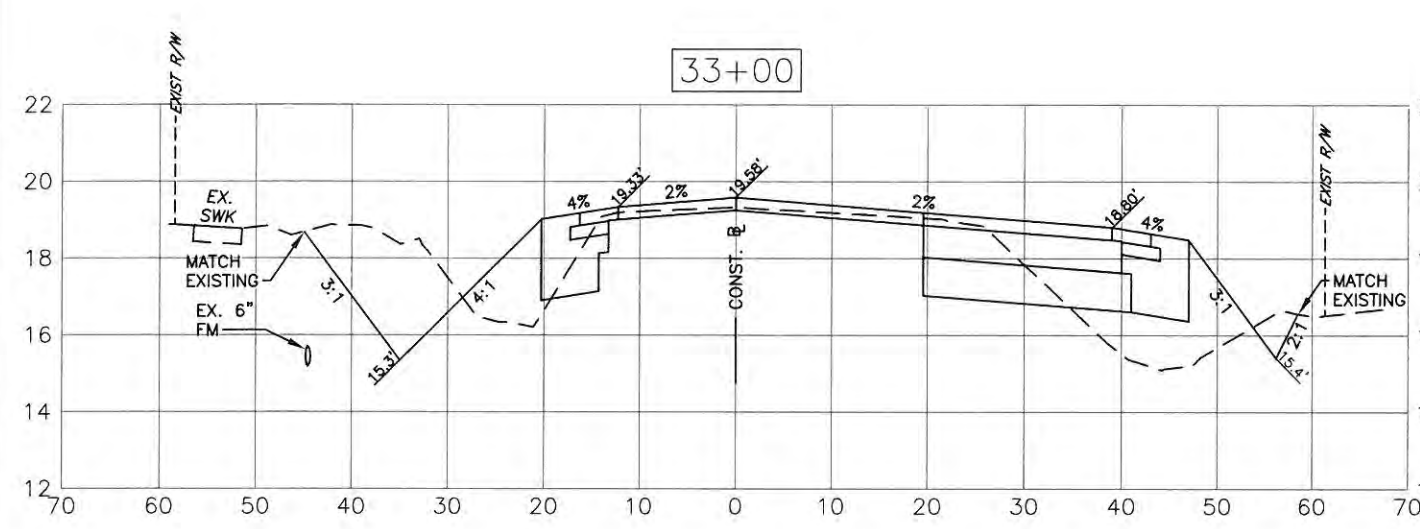
NO.	REVISION DESCRIPTION	BY	DATE

PROJECT #	323-6054764
SURVEY #	5303
SEC./TWN./RGE	7/35S/18E
SCALE	H=1:20, V=1:5
SURVEYED	ZNS
DESIGNED	AAM 01/11/13
DRAWN	TMF 01/14/13
CHECKED	JP/GB 06/2014
CHRIS L. MOWBRAM, P.E.	
FLORIDA P.E. # 46777	

*(Handwritten Signature)*  
Signature & Date

s:\dwd\_engg\share\highway\_engineering\RDUS\fort\_hamer\_road\DWG\PH\_301\301\_11x17

**FORT HAMER ROAD PHASE II US**  
**301 TO FUTURE FORT HAMER**  
**BRIDGE**  
**CROSS SECTIONS**  
**STA 31+00 TO STA 33+50**



NO.	REVISION DESCRIPTION	BY	DATE

PROJECT #	323-6054764
SURVEY #	5303
SEC./TWN./RGE	7/36S/18E
SCALE	H=1:20, V=1:5
SURVEYED	ZNS
DESIGNED	AAM 01/11/13
DRAWN	TMF 01/11/13
CHECKED	JP/GB 09/20/14
CHRIS L. MOWBRAY, P.E.	
FLORIDA P.E. # 46777	


  
 11/5/14
   
 Signature & Date
   
**SHEET 42**

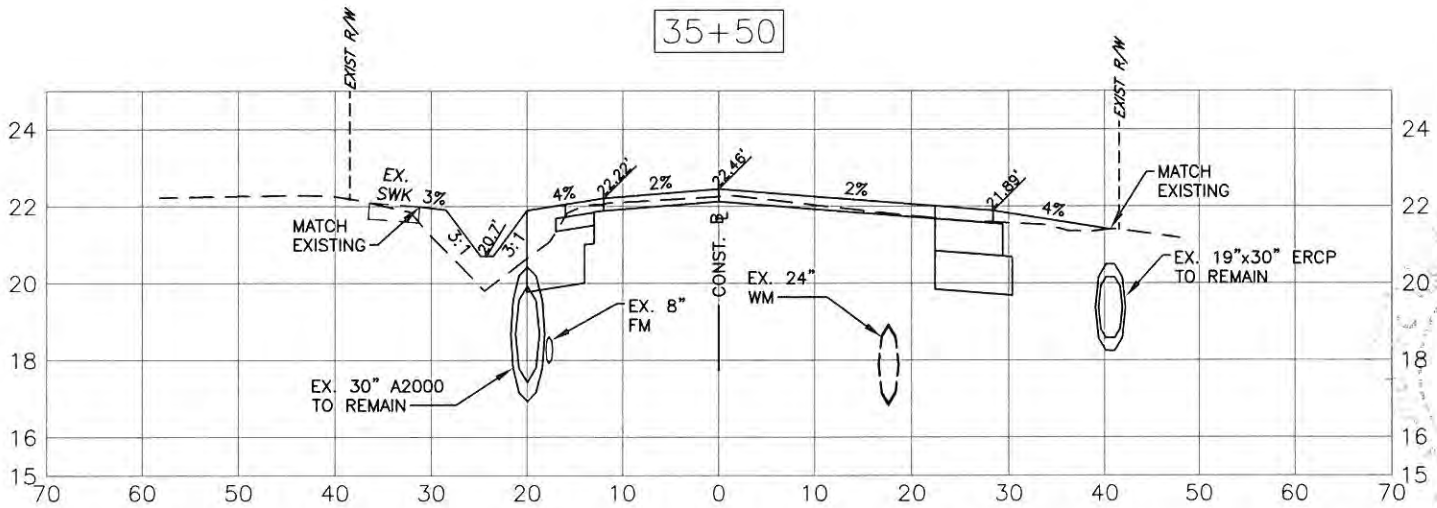
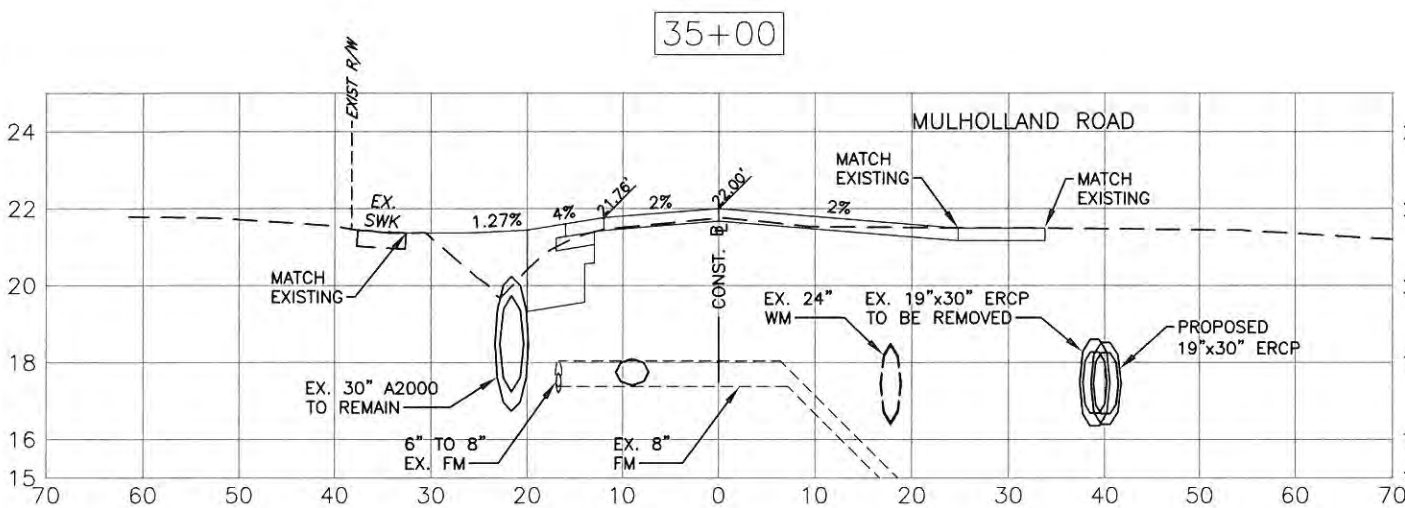
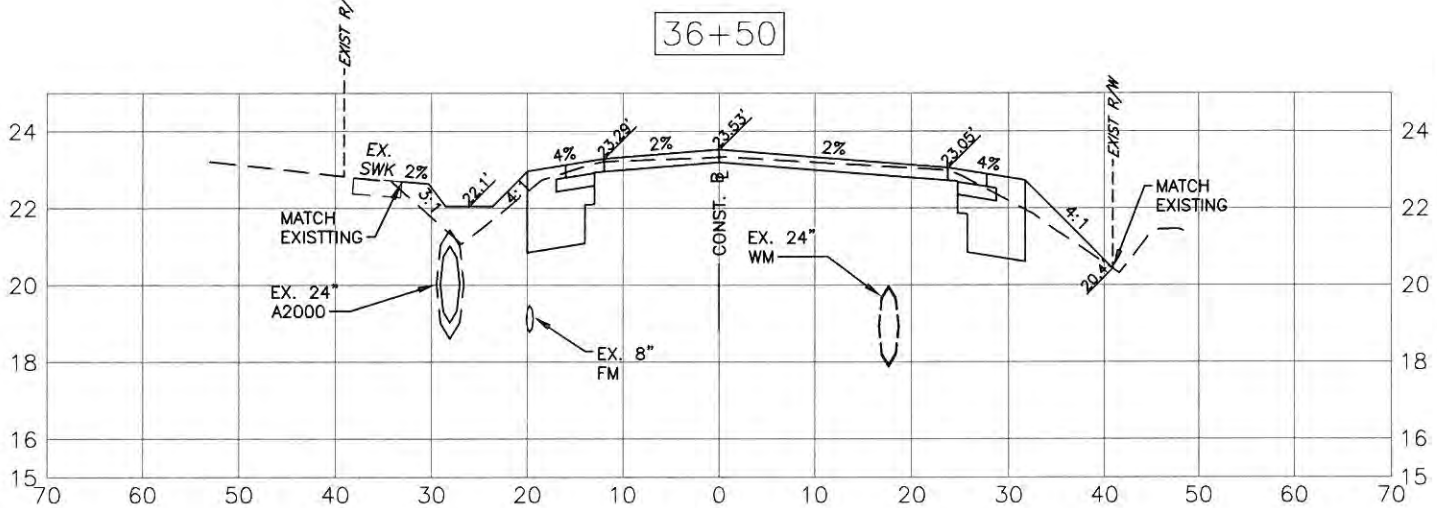
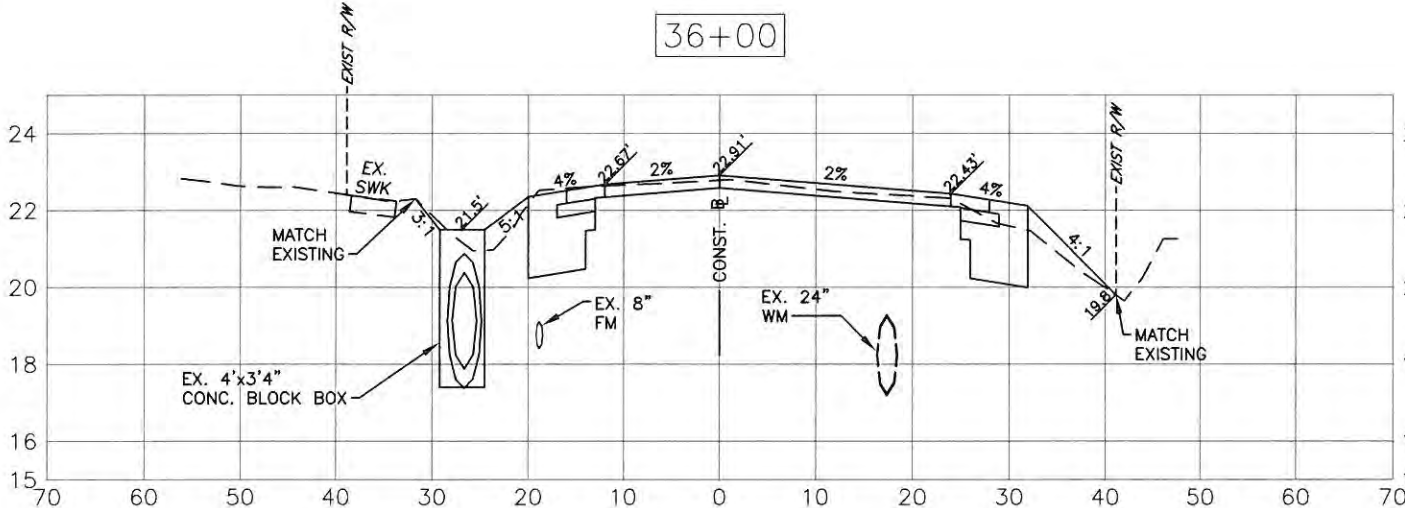
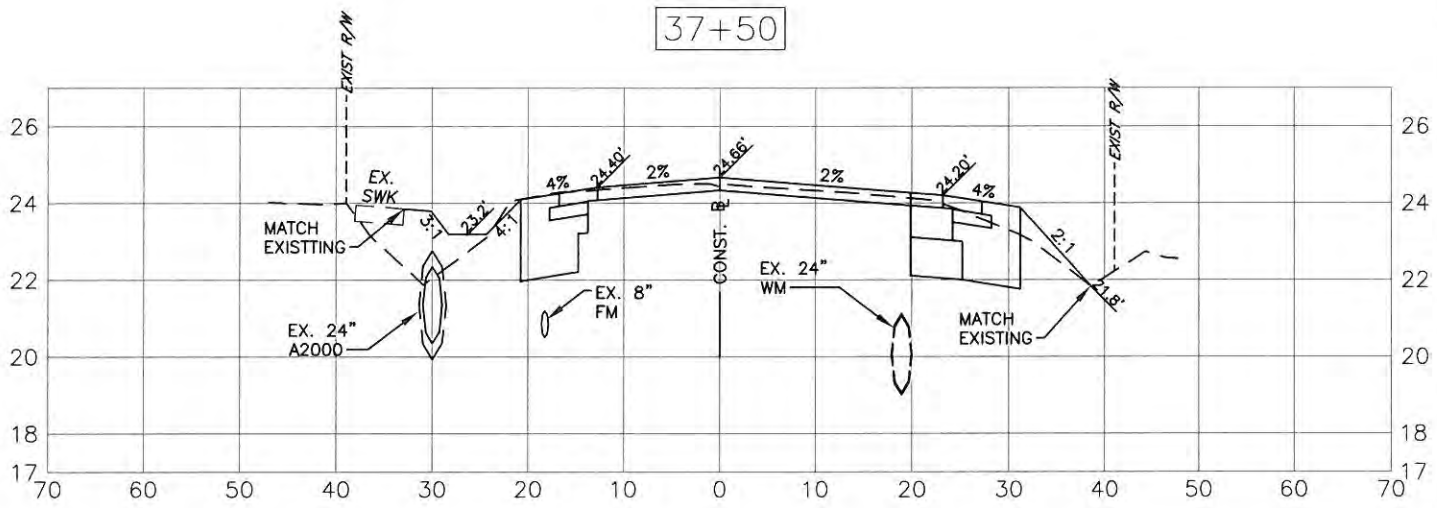
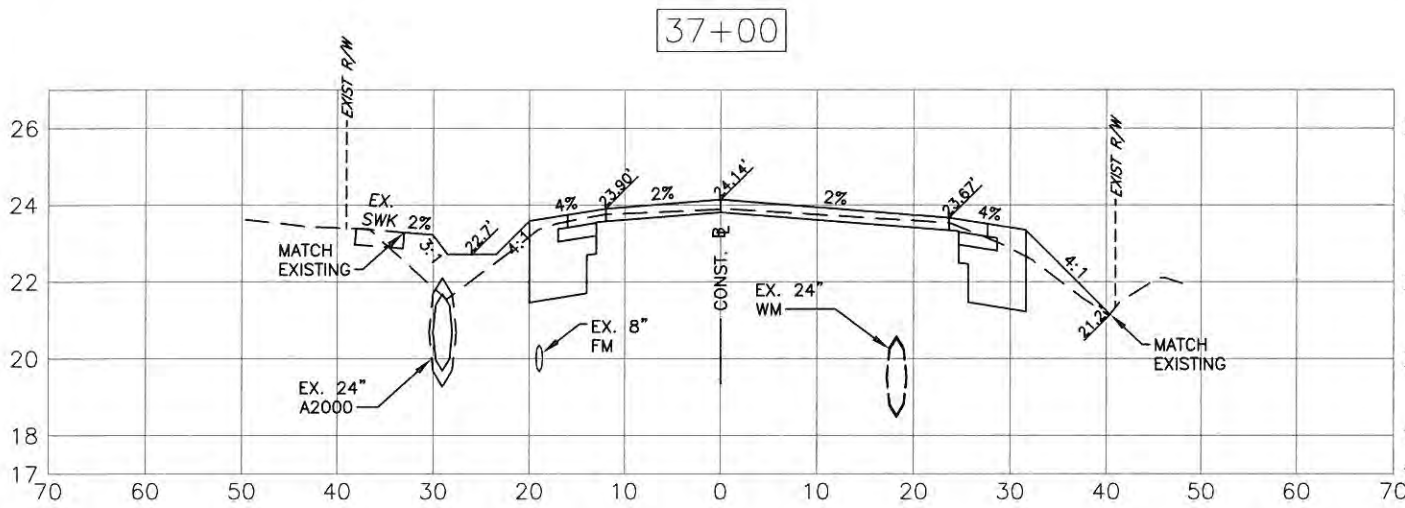
s:\pww\engineering\_shore\highway\_engineering\ROADS\fort hamer road\DWG\14\_XSEC\_10/22/2014 8:06 AM from Forrester, J.L. 11x17





PUBLIC WORKS DEPARTMENT  
ENGINEERING SERVICES  
1022 26th Avenue East, Bradenton, FL 34208

**FORT HAMER ROAD PHASE II US  
301 TO FUTURE FORT HAMER  
BRIDGE  
CROSS SECTIONS  
STA 35+00 TO STA 37+50**



EXISTING GRADE (LEFT SIDE) HAS CHANGED FROM STA. 34+00 TO 48+00. SURVEY WAS DONE BEFORE FORT HAMER PHASE I SIDEWALK WAS CONSTRUCTED. PROPOSED SWALES WILL BE THE SAME AS EXISTING.

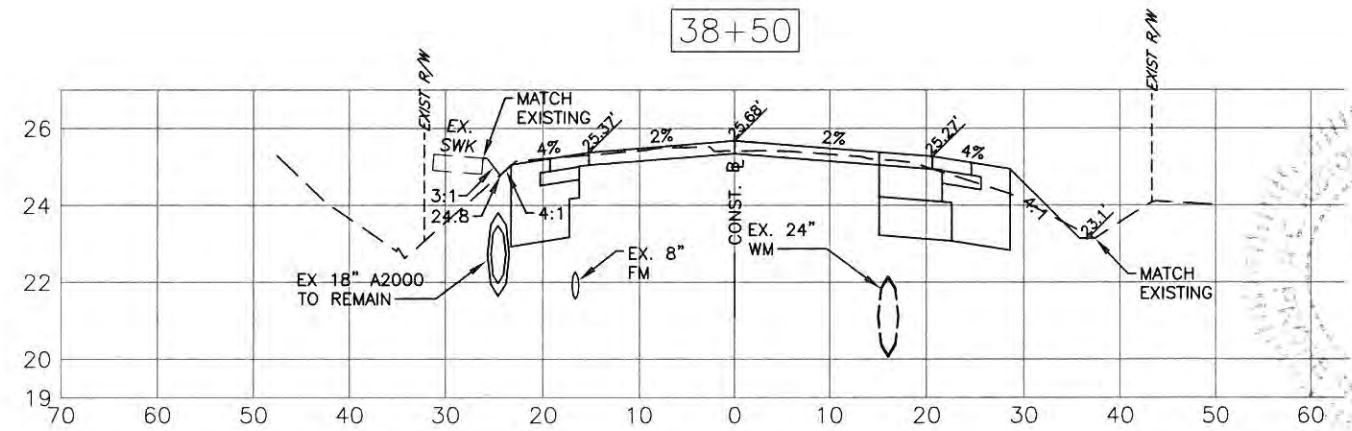
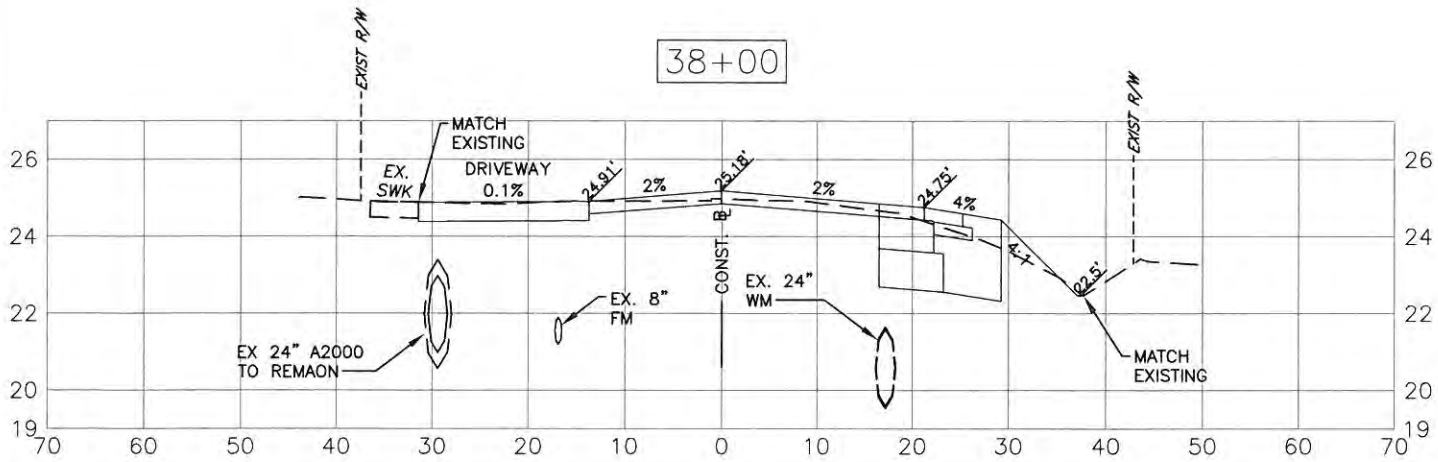
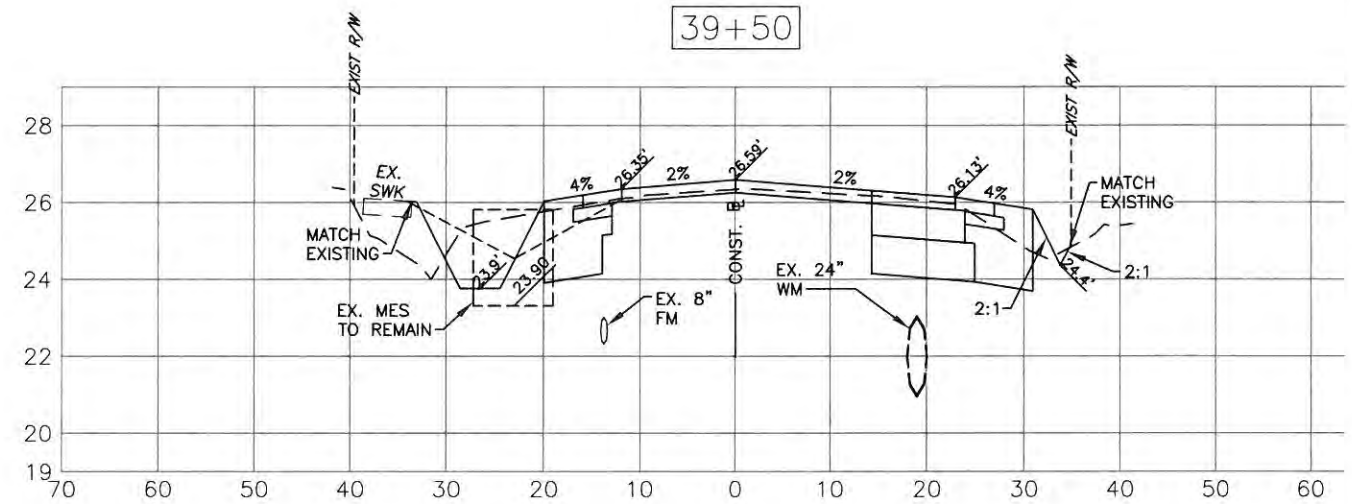
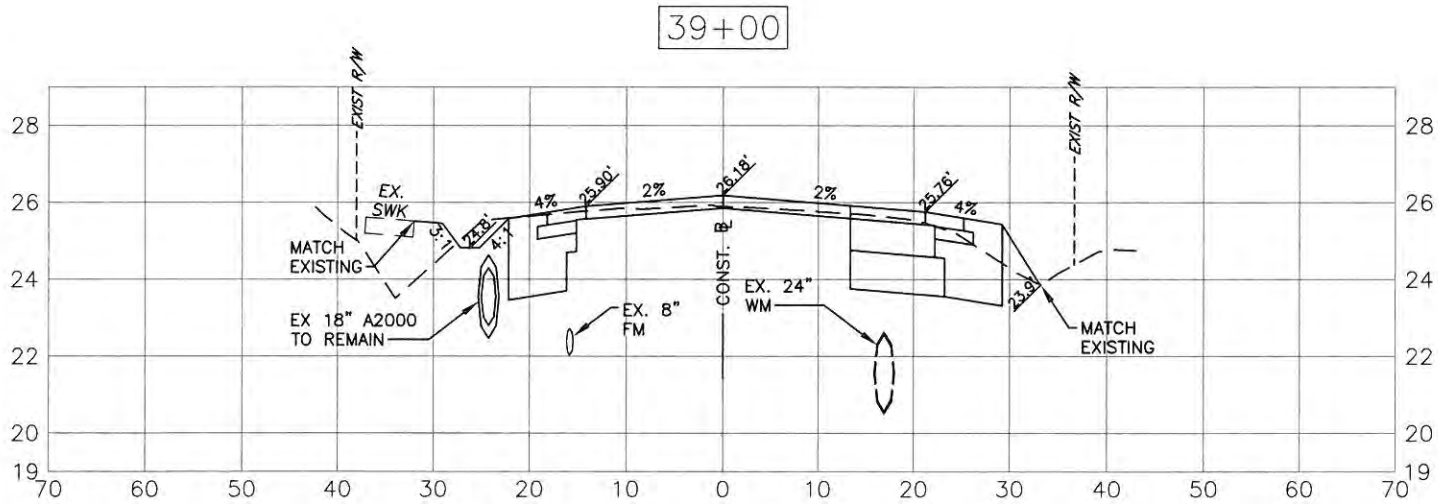
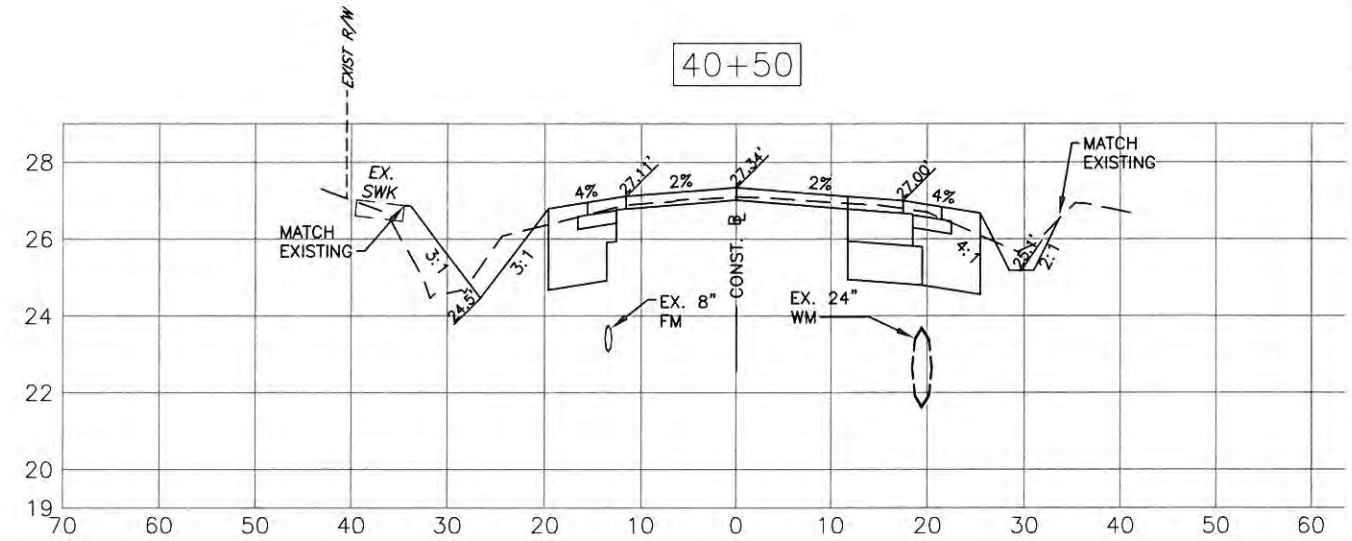
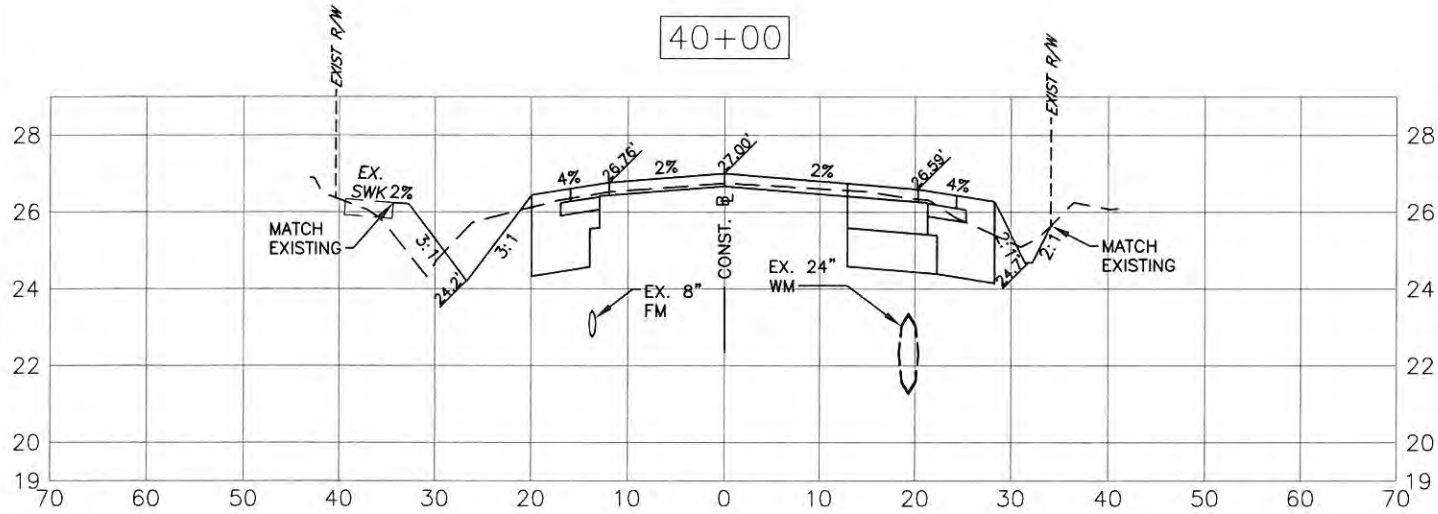
NO.	REVISION DESCRIPTION	BY	DATE

PROJECT #	323-6054764		
SURVEY #	5303		
SEC./TWN./RGE	7/35S/18E		
SCALE	H=1:20, V=1:5		
SURVEYED	ZNS	DATE	
DESIGNED	AAM	01/13/13	
DRAWN	JMF	01/21/13	
CHECKED	JP/GB	09/20/14	

CHRIS L. MOWBRAY, P.E.  
FLORIDA P.E. # 46777  
*Chris Mowbray*  
11/9/14  
Signature & Date  
**SHEET 44**

S:\PMD\_Engineering\Share Highway\_Engineering\00005\Fort Hamer\_Road\DWG\FH\_XSEC 2.DWG.dwg XSEC 10/24/2014 7:37 AM Thom Forrester, 1:1, 11x17

**FORT HAMER ROAD PHASE II US  
301 TO FUTURE FORT HAMER  
BRIDGE  
CROSS SECTIONS  
STA 38+00 TO STA 40+50**



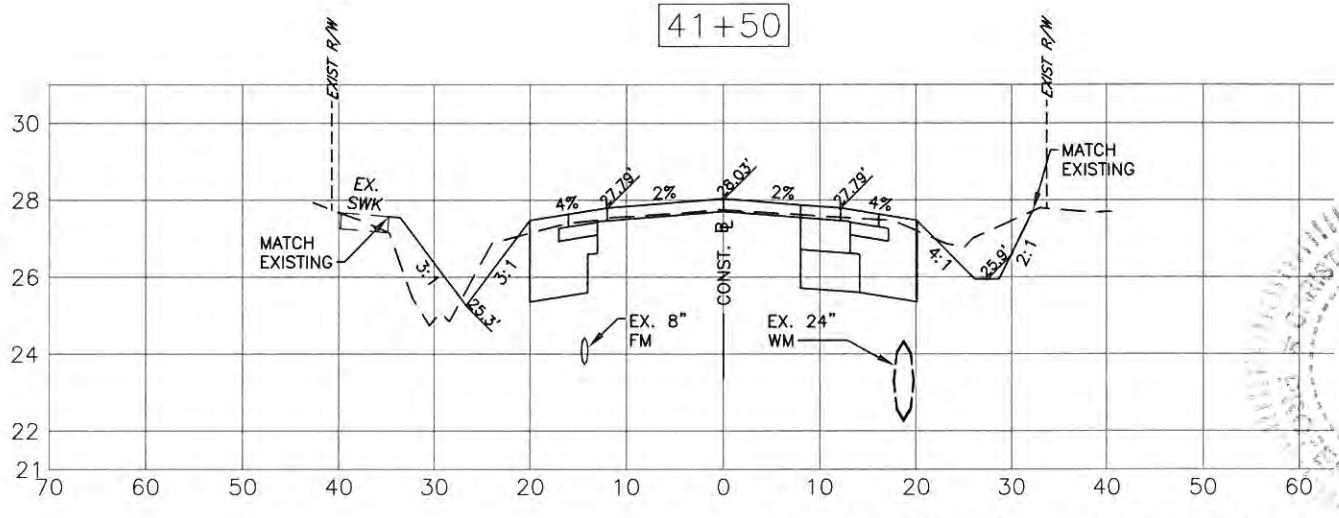
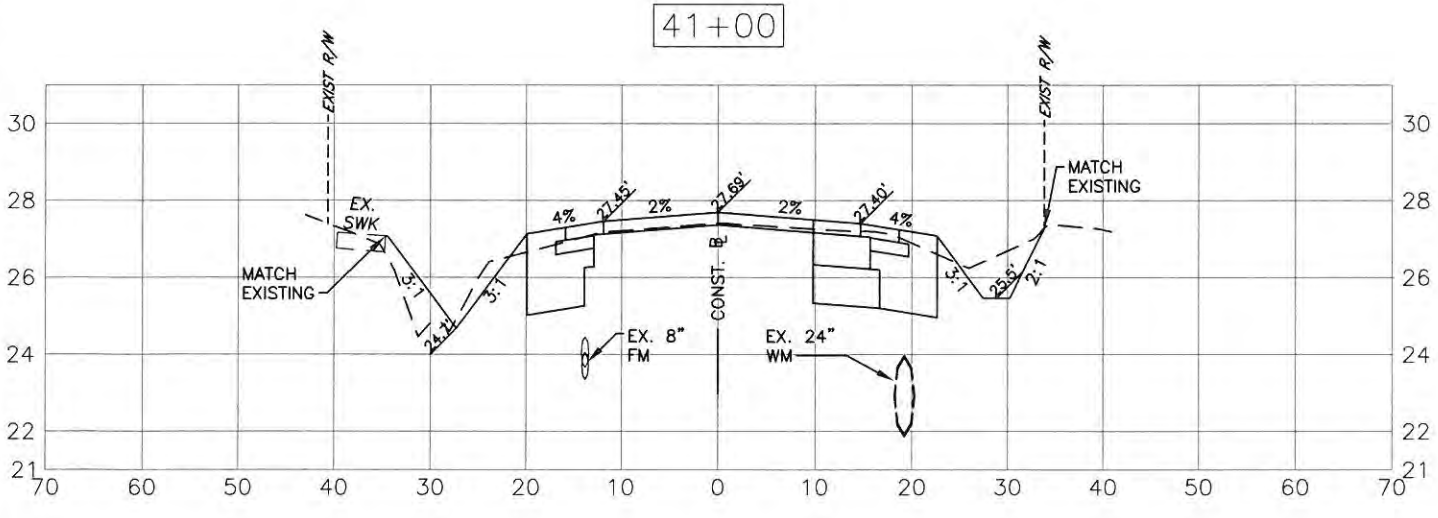
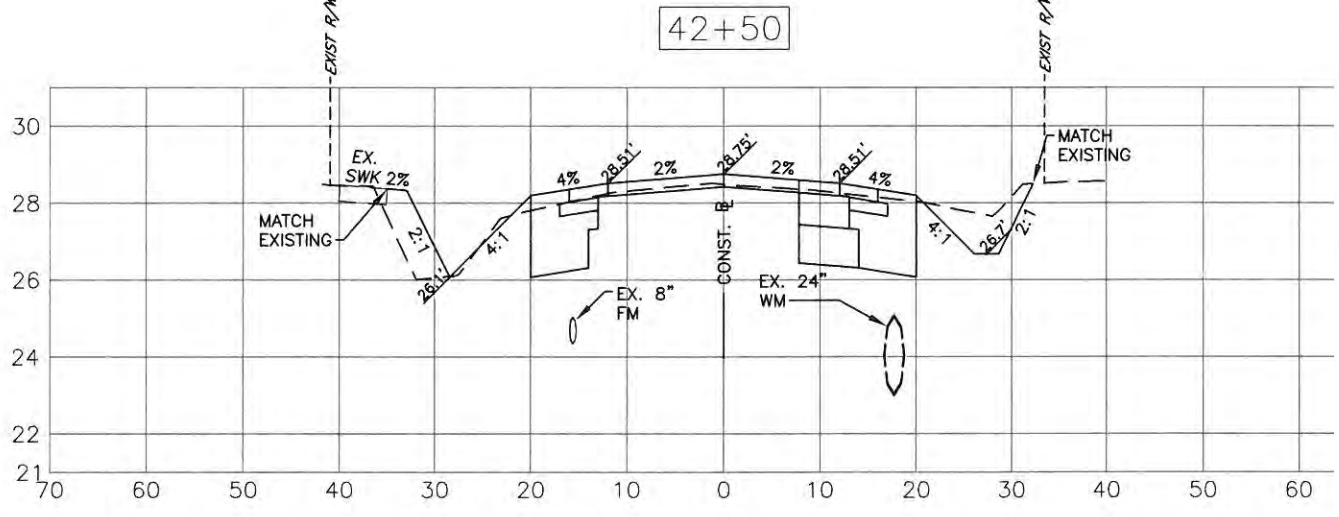
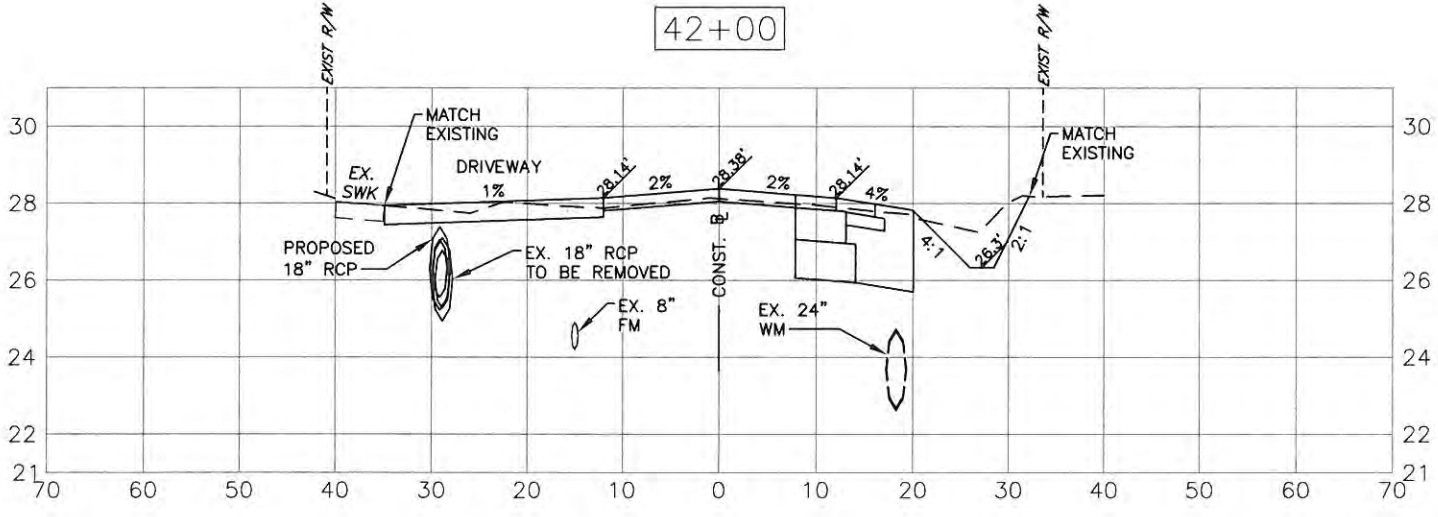
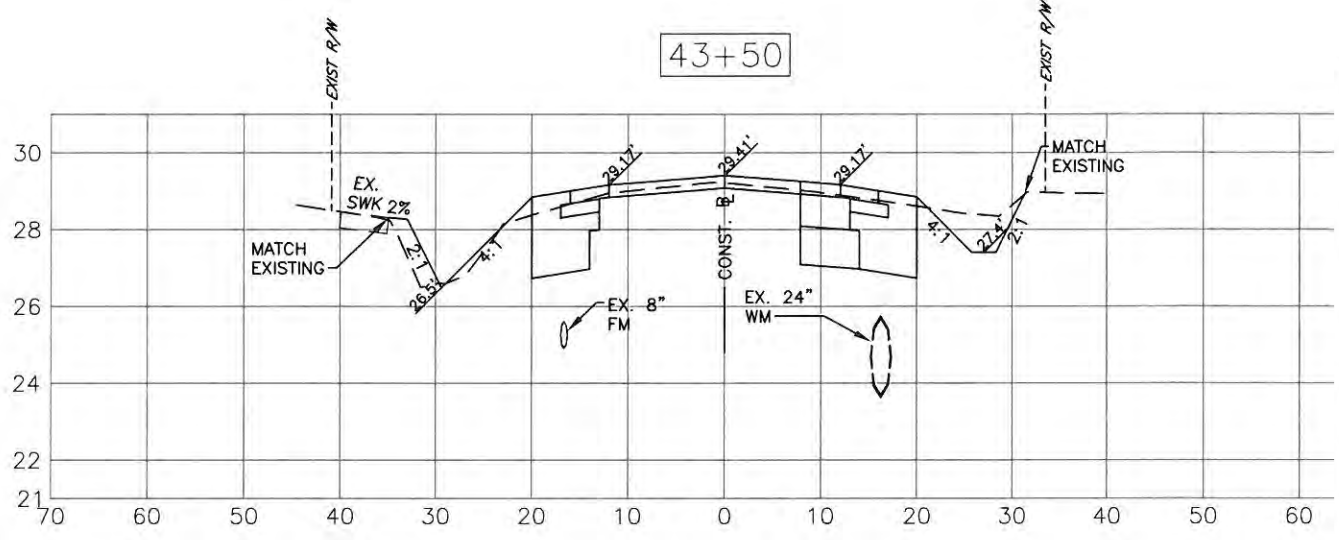
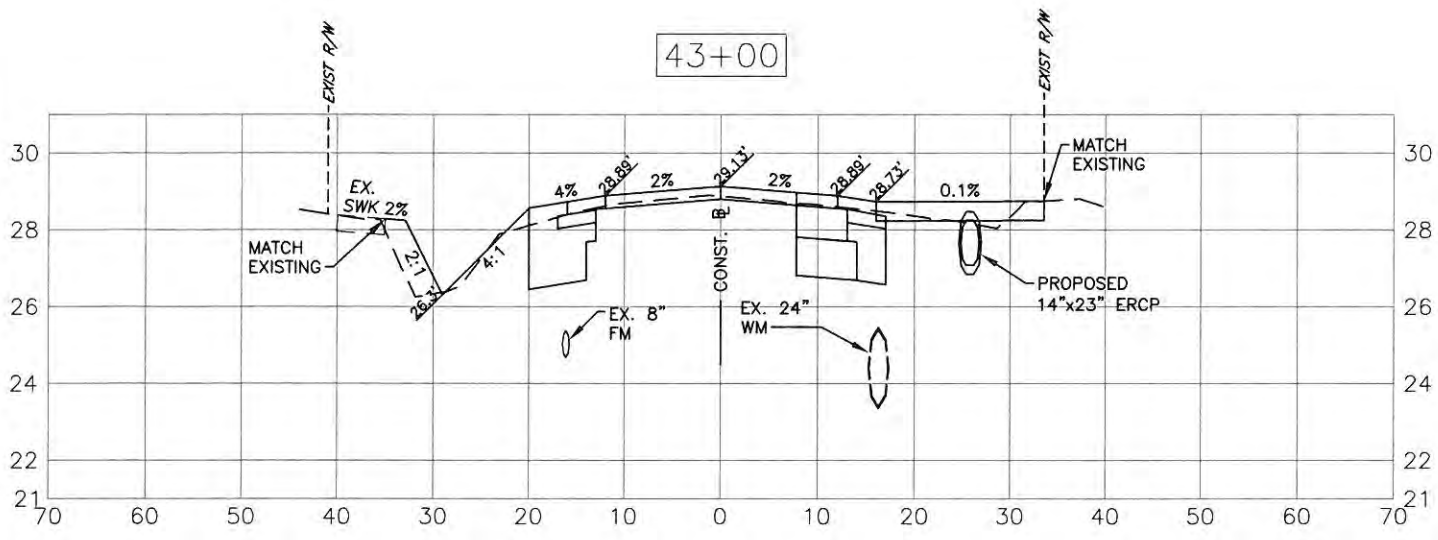
EXISTING GRADE (LEFT SIDE) HAS CHANGED FROM STA. 34+00 TO 48+00. SURVEY WAS DONE BEFORE FORT HAMER PHASE I SIDEWALK WAS CONSTRUCTED. PROPOSED SWALES WILL BE THE SAME AS EXISTING.

NO.	REVISION DESCRIPTION	BY	DATE

PROJECT # 323-6054764  
 SURVEY # 5303  
 SEC./TWN/RGE 7/35S/18E  
 SCALE H=1:20, V=1:5  
 SURVEYED BY ZNS DATE 01/11/13  
 DESIGNED BY AAM DATE 01/11/13  
 DRAWN BY TMF DATE 09/20/14  
 CHECKED BY JP/GB DATE 09/20/14  
 / CHRIS L. MOWBRAY, P.E.  
 FLORIDA P.E. # 46777  
*Chris Mowbray*  
 11/5/14  
 Signature & Date  
**SHEET 45**

S:\PMD\_Engineering\_Sharda\Highway\_Engineering\30005\Fort Hamer\Road\DWG\PH II\KSEC-2.DWG 05/25/2014 13:37 AM Thom Ferris/ter 1:1, 11/17

**FORT HAMER ROAD PHASE II US  
301 TO FUTURE FORT HAMER  
BRIDGE  
CROSS SECTIONS  
STA 41+00 TO STA 43+50**



EXISTING GRADE (LEFT SIDE) HAS CHANGED FROM STA. 34+00 TO 48+00. SURVEY WAS DONE BEFORE FORT HAMER PHASE I SIDEWALK WAS CONSTRUCTED. PROPOSED SWALES WILL BE THE SAME AS EXISTING.

NO.	REVISION DESCRIPTION	BY	DATE

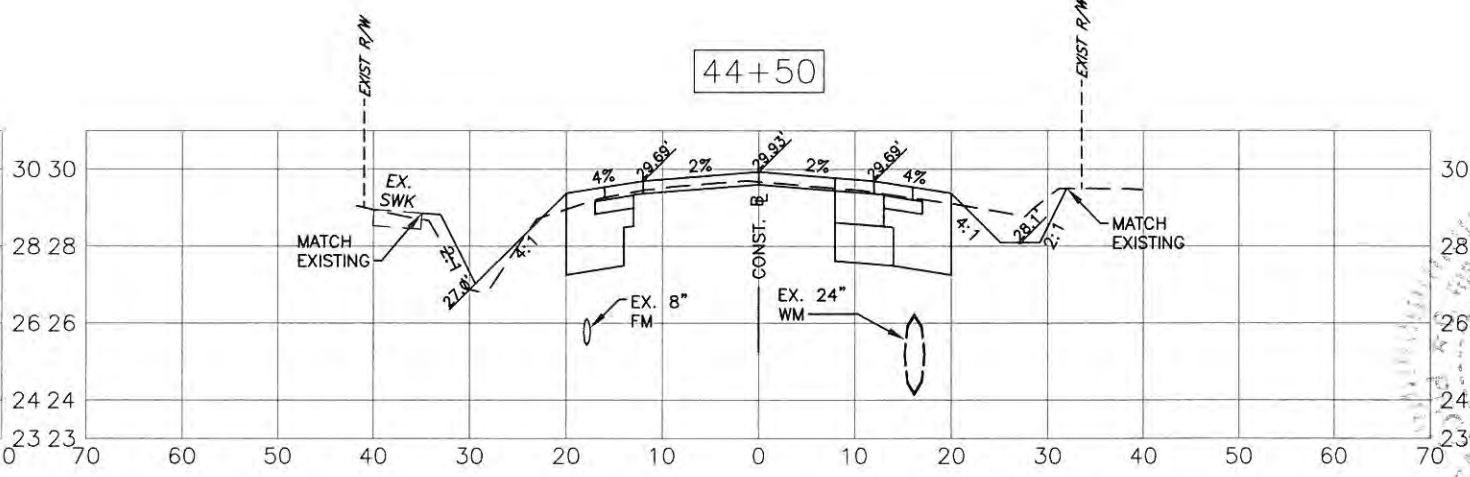
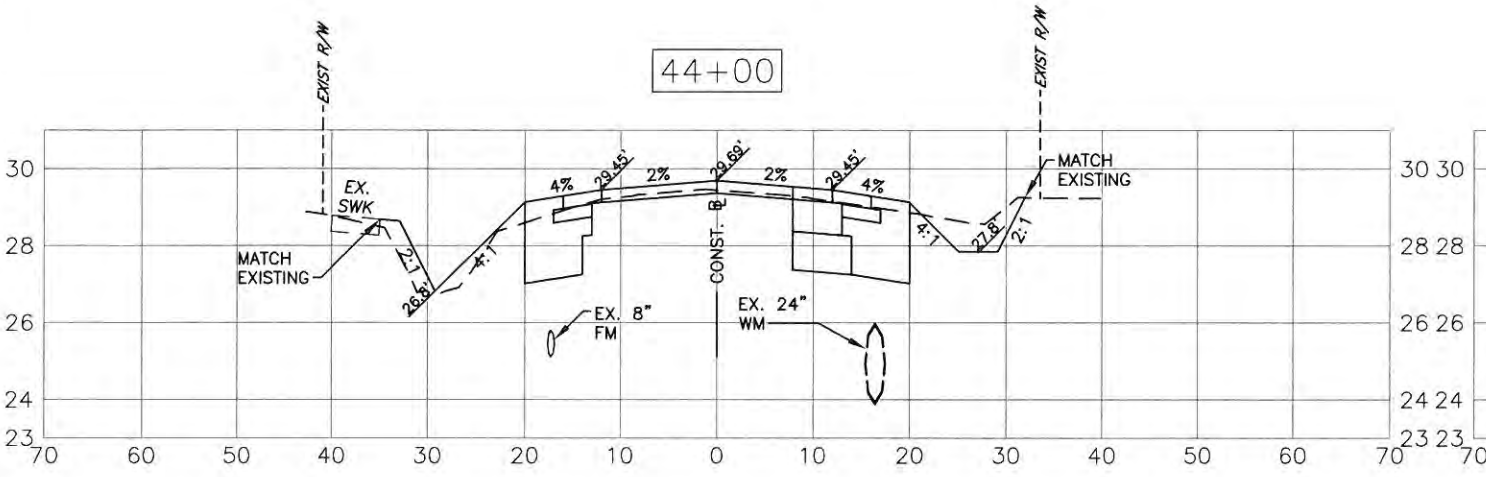
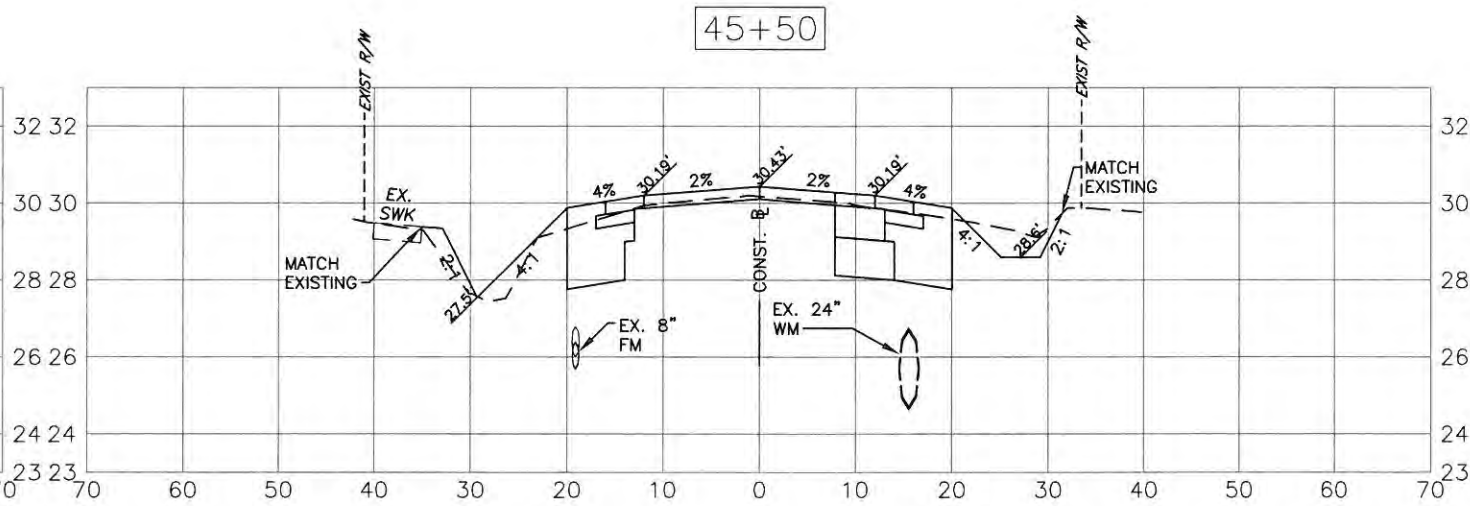
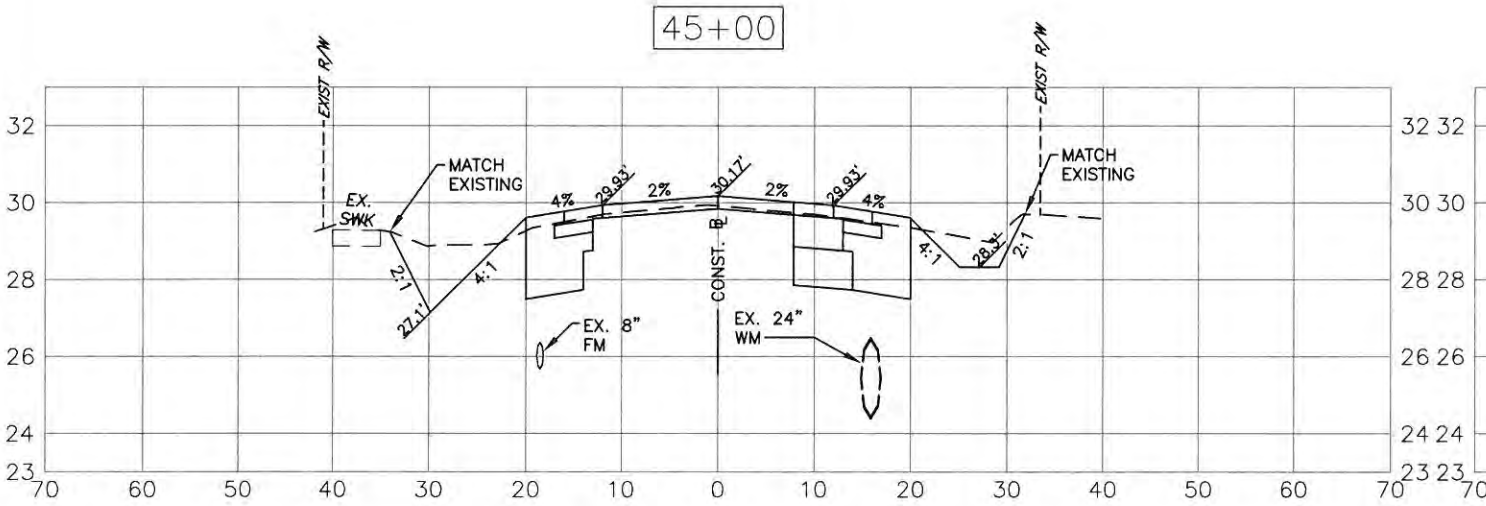
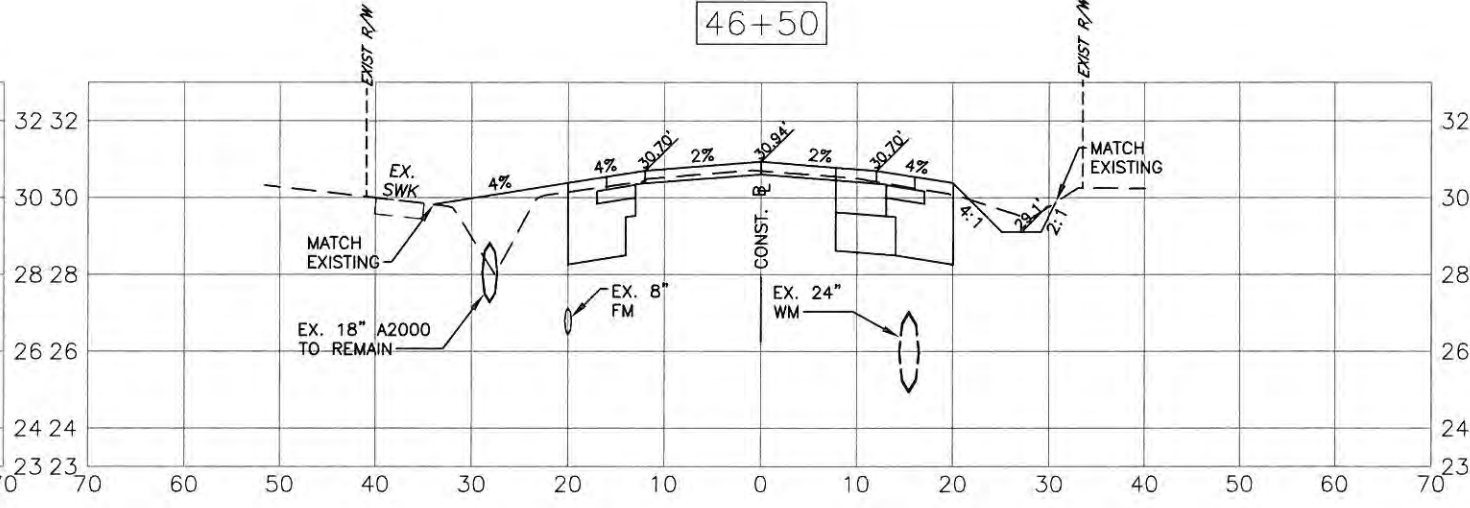
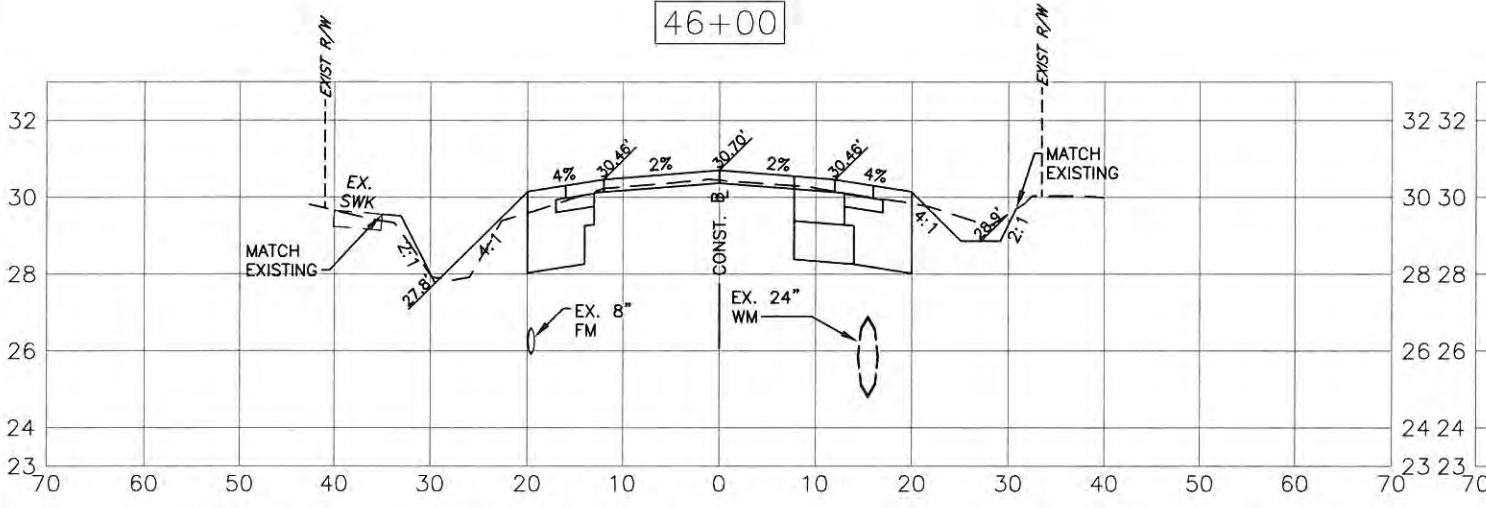
PROJECT #	323-6054764
SURVEY #	5303
SEC./TWN./RGE	7/35S/18E
SCALE	H=1:20, V=1:5
BY	
DATE	
SURVEYED	ZNS
DESIGNED	AAM 01/11/13
DRAWN	TMF 01/11/13
CHECKED	JP/GB 09/2014

CHRIS L. MOWBRAY, P.E.

FLORIDA P.E. # 46777  
*Chris L. Mowbray*  
11/5/14

S:\PMD\_Engineering\Shore\Highway\_Engineering\Roads\Fort Hamer\_Road\DWG\46\_PSEC\_10/24/2014 7:37 AM Thom Forester, 11, 11x17

**FORT HAMER ROAD PHASE II US**  
**301 TO FUTURE FORT HAMER**  
**BRIDGE**  
**CROSS SECTIONS**  
**STA 44+00 TO STA 46+50**



EXISTING GRADE (LEFT SIDE) HAS CHANGED FROM STA. 34+00 TO 48+00. SURVEY WAS DONE BEFORE FORT HAMER PHASE I SIDEWALK WAS CONSTRUCTED. PROPOSED SWALES WILL BE THE SAME AS EXISTING.

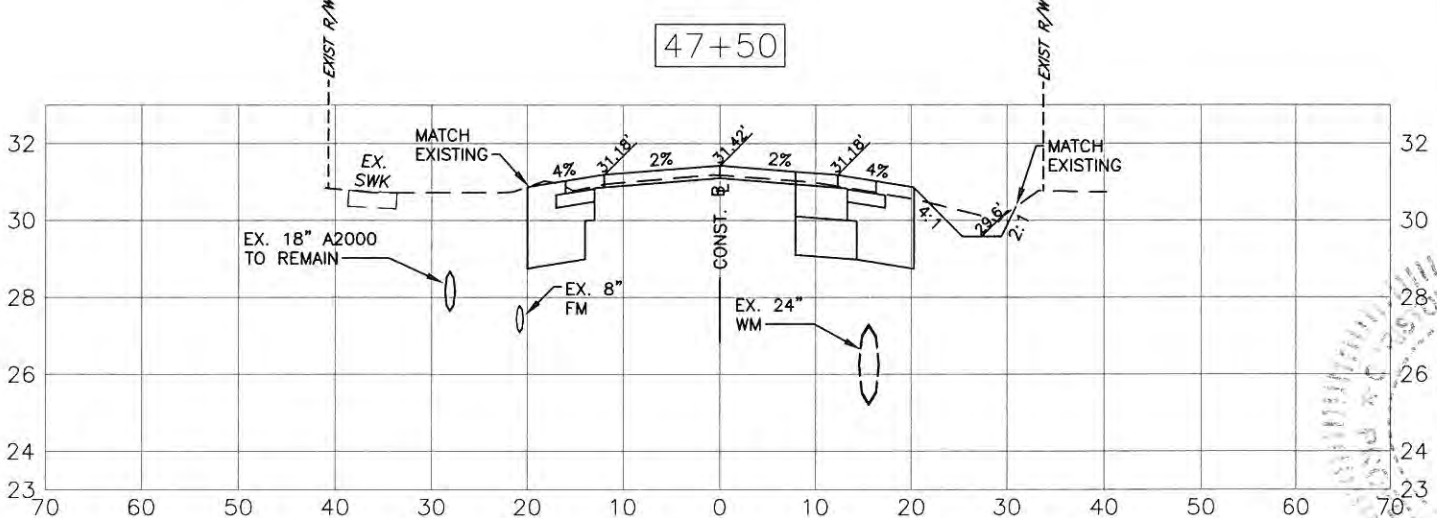
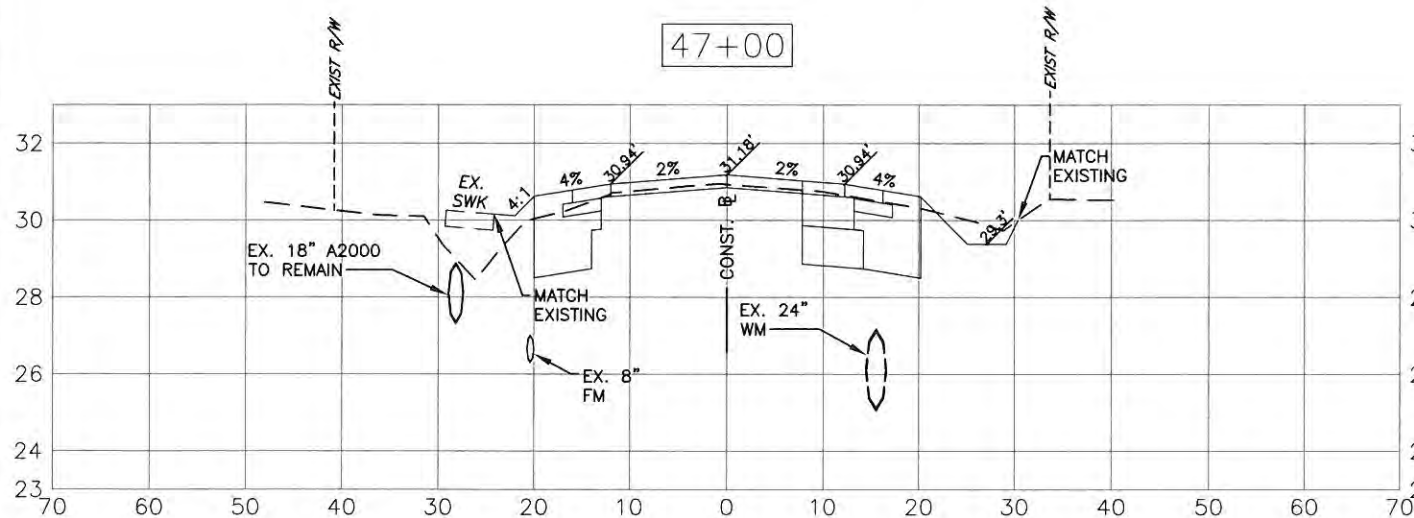
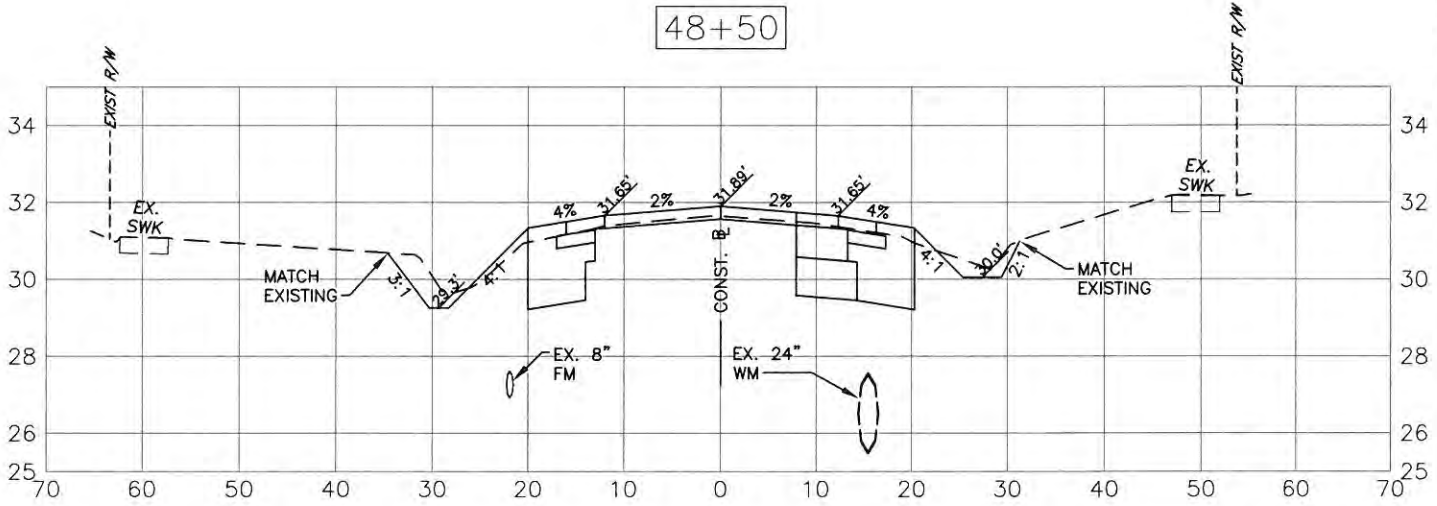
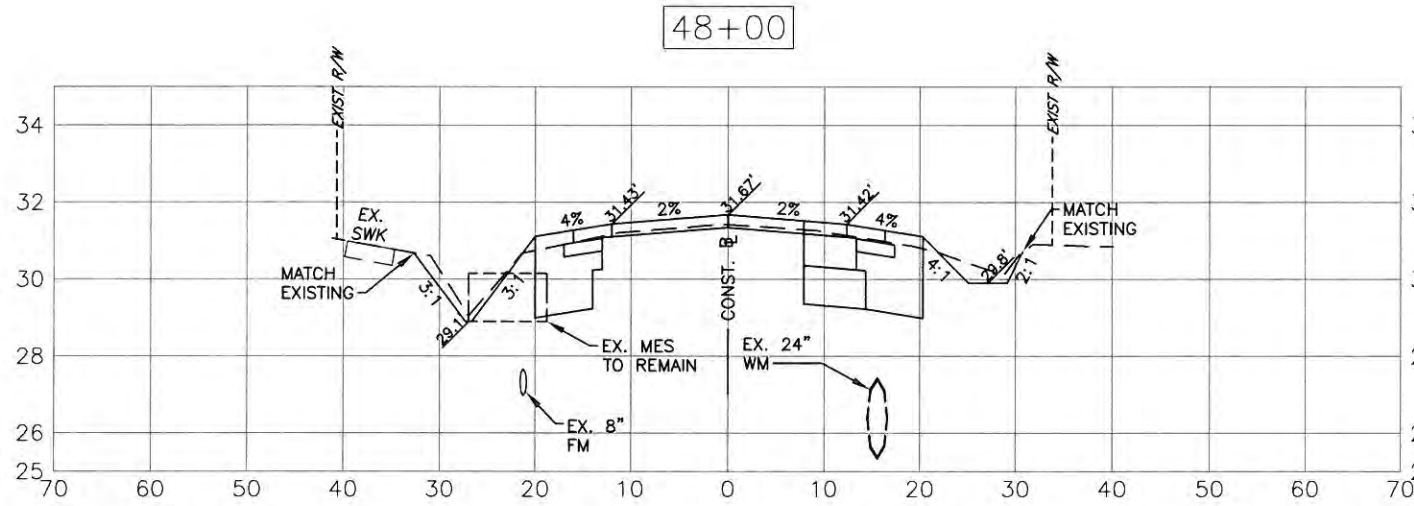
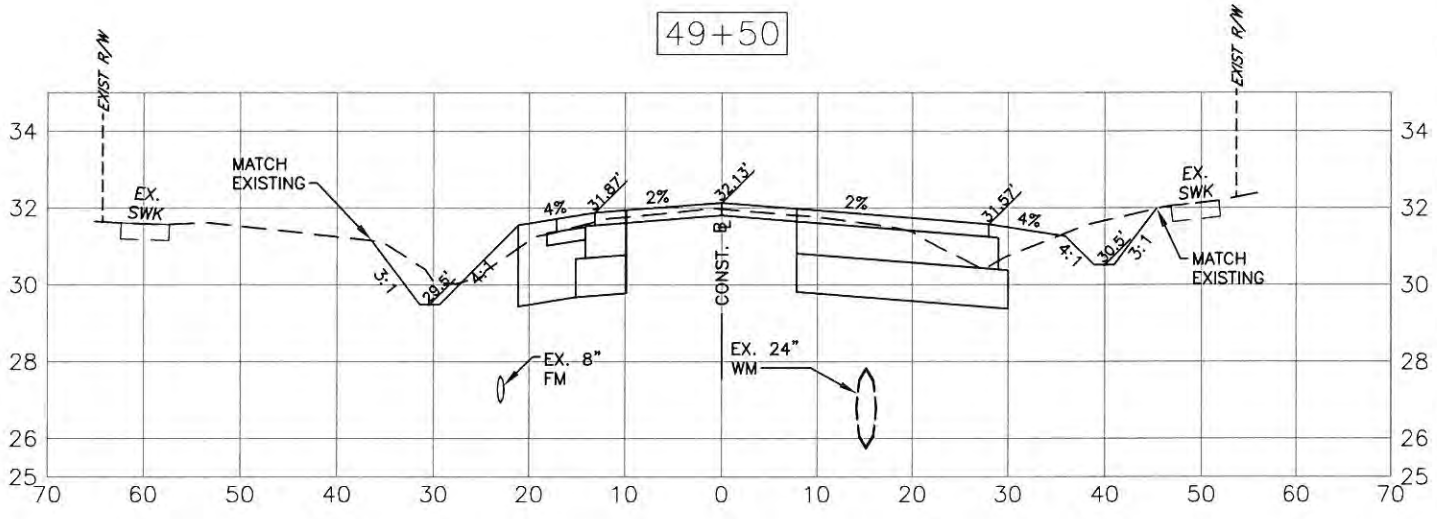
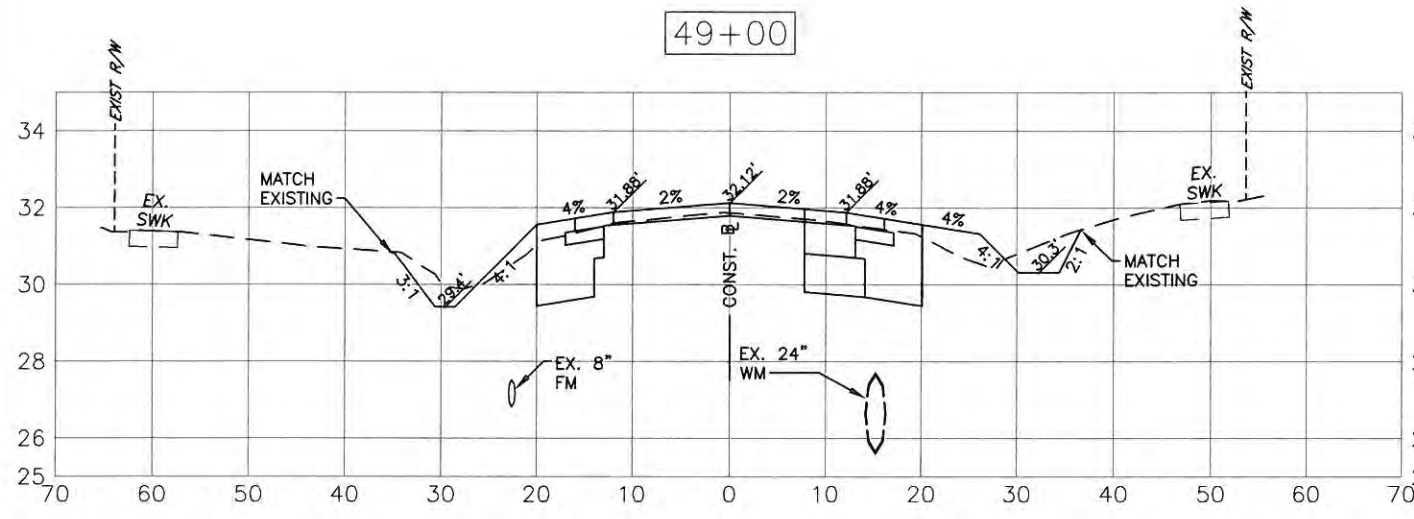
NO.	REVISION DESCRIPTION	DATE

PROJECT #	323-8054764
SURVEY #	5303
SEC./TWN./RGE.	7/35S/18E
SCALE	H=1:20, V=1:5
BY	DATE
SURVEYED	ZNS
DESIGNED	AAM 01/11/13
DRAWN	TMF 01/11/13
CHECKED	JP/GB 09/2014

CHRIS L. MOWBRAY, P.E.  
 FLORIDA P.E. # 46777  
  
 11/5/14  
 Signature & Date  
**SHEET 47**

S:\VMD\_Engineering\ShoreHighway\_Engineering\ROADS\Fort\_Hamer\_Road\DWG\Fort\_Hamer\_Road\DWG\Fort\_Hamer\_Road\PHASE II\Cross Sections\46+00.dwg, 10/24/2014 7:36 AM Thom Forrester, 1:1, 11x17

**FORT HAMER ROAD PHASE II US  
301 TO FUTURE FORT HAMER  
BRIDGE  
CROSS SECTIONS  
STA 47+00 TO STA 49+50**



EXISTING GRADE (LEFT SIDE) HAS CHANGED FROM STA. 34+00 TO 48+00. SURVEY WAS DONE BEFORE FORT HAMER PHASE I SIDEWALK WAS CONSTRUCTED. PROPOSED SWALES WILL BE THE SAME AS EXISTING.

NO.	REVISION DESCRIPTION	BY	DATE

PROJECT: 323-6054764  
SURVEY: 5303  
SEC./TWN/RGE: 7/35S/18E  
SCALE: H=1/20, V=1/5  
10-46777 BY: DATE:  
SURVEYED: ZNS  
DESIGNED: AAM 01/11/13  
DRAWN: TMF 01/11/13  
CHECKED: JP/BB 09/20/14  
CHRIS L. MOWBRAY P.E.  
FLORIDA P.E. # 46777

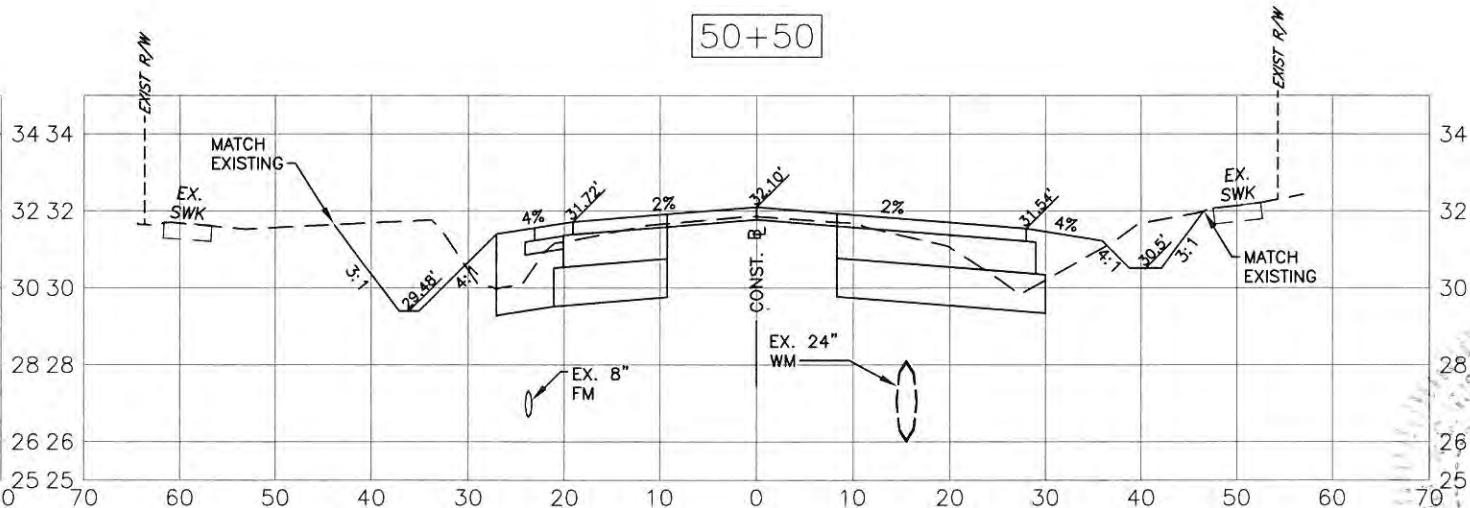
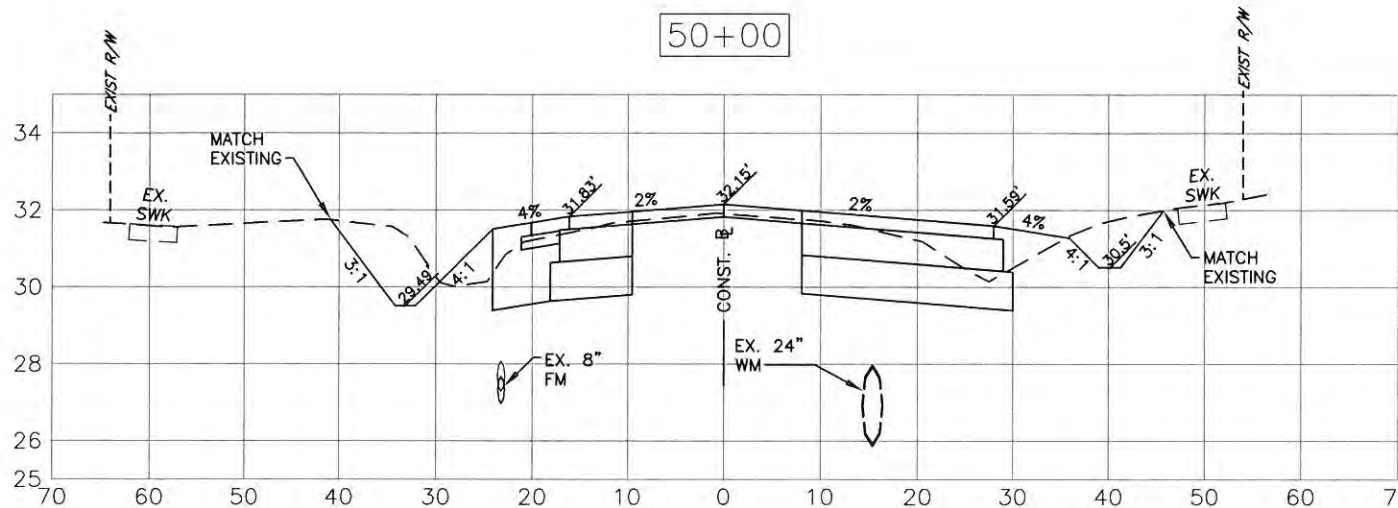
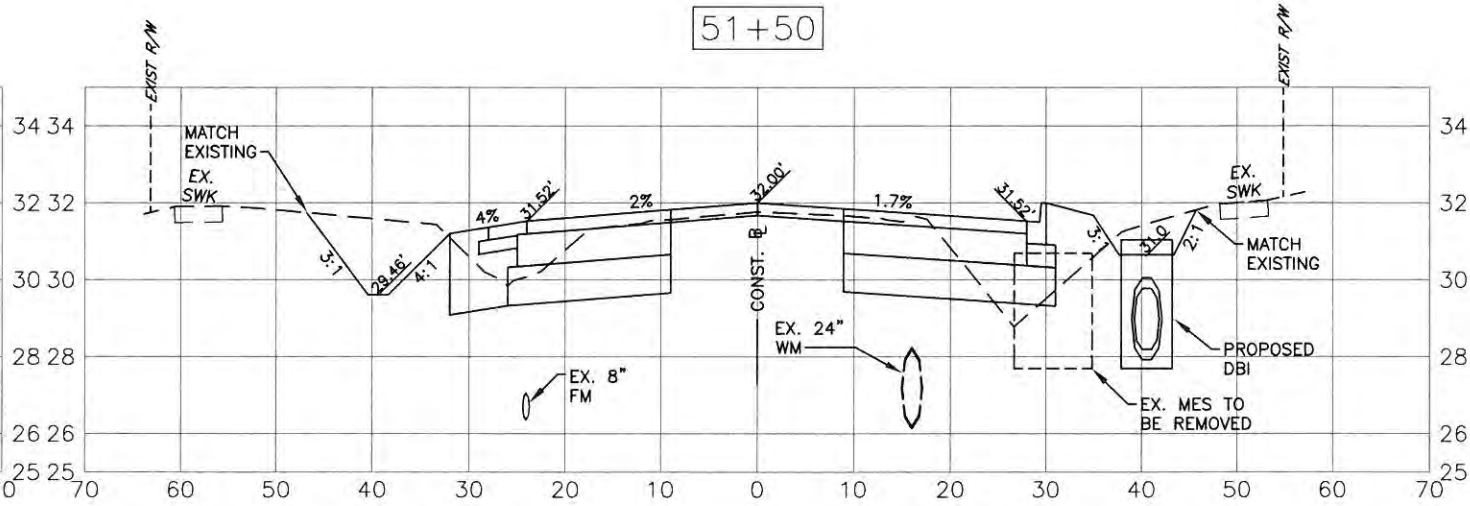
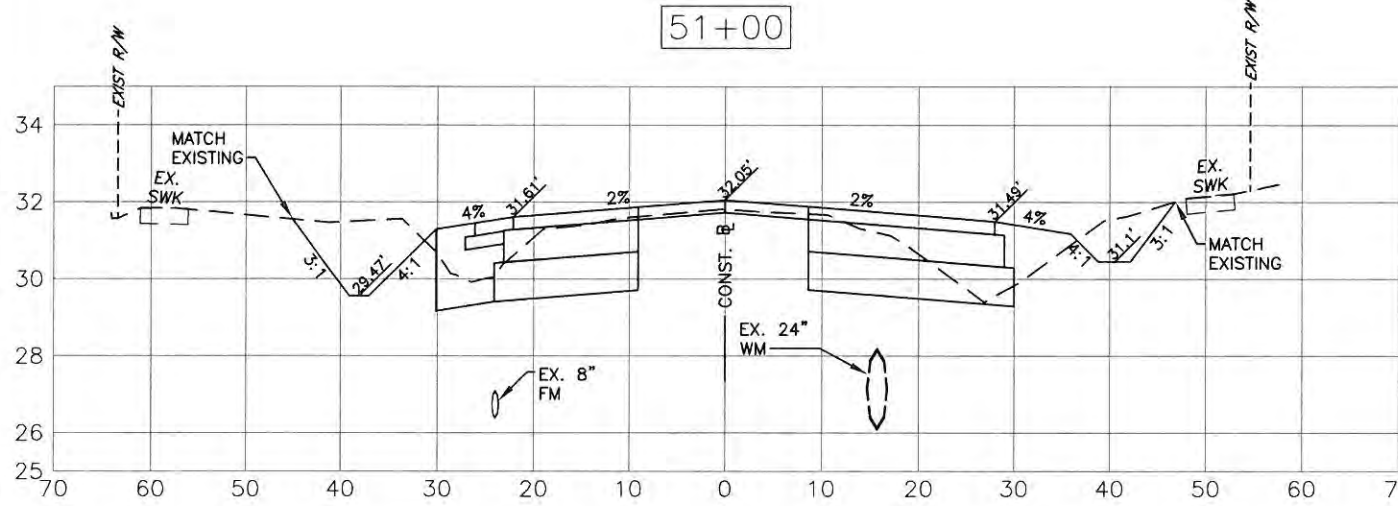
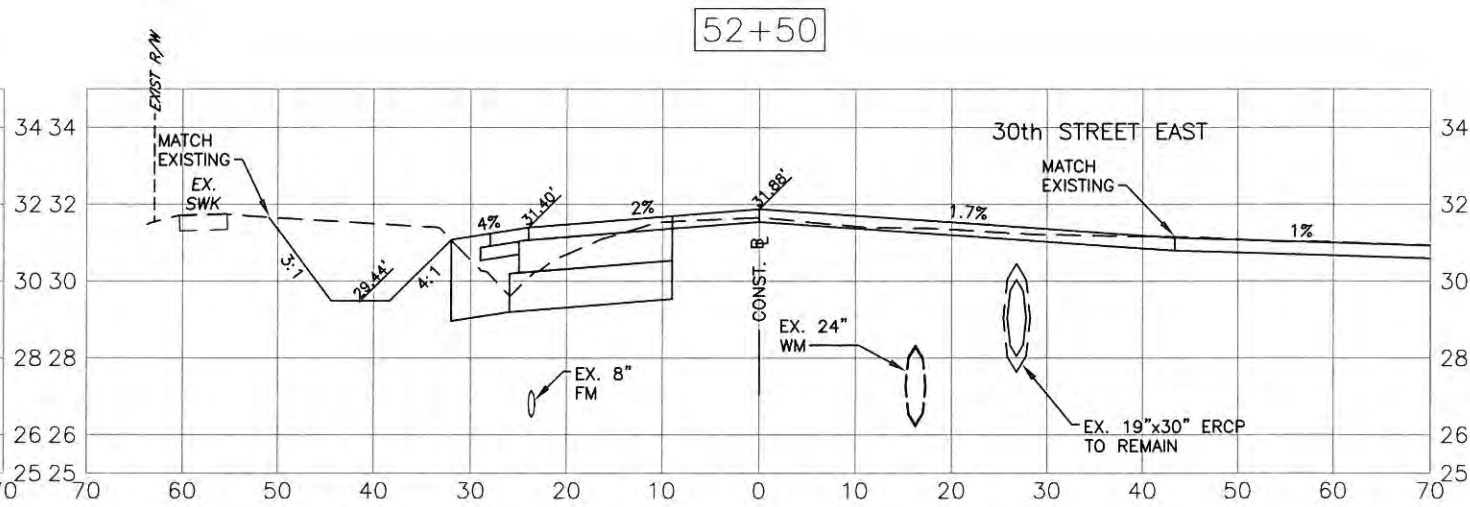
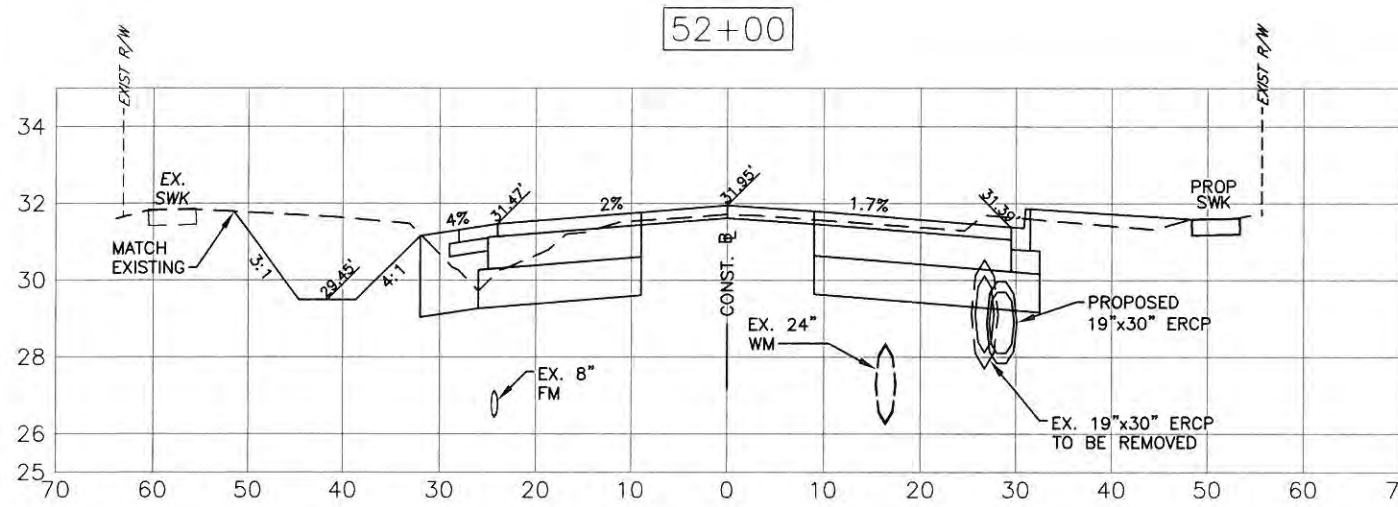
S:\PMD\_Engineering\_Support\_Highway\_Engineering\ROADS\Fort\_Hamer\_Road\DWG\FH\_KSEC\_2.DWG:48\_XSEC\_10/24/2014 7:39 AM Thom Forrester, 1.1, 11x17





PUBLIC WORKS DEPARTMENT  
ENGINEERING SERVICES  
1022 26th Avenue East, Bradenton, FL 34208

**FORT HAMER ROAD PHASE II US  
301 TO FUTURE FORT HAMER  
BRIDGE  
CROSS SECTIONS  
STA 50+00 TO STA 52+50**

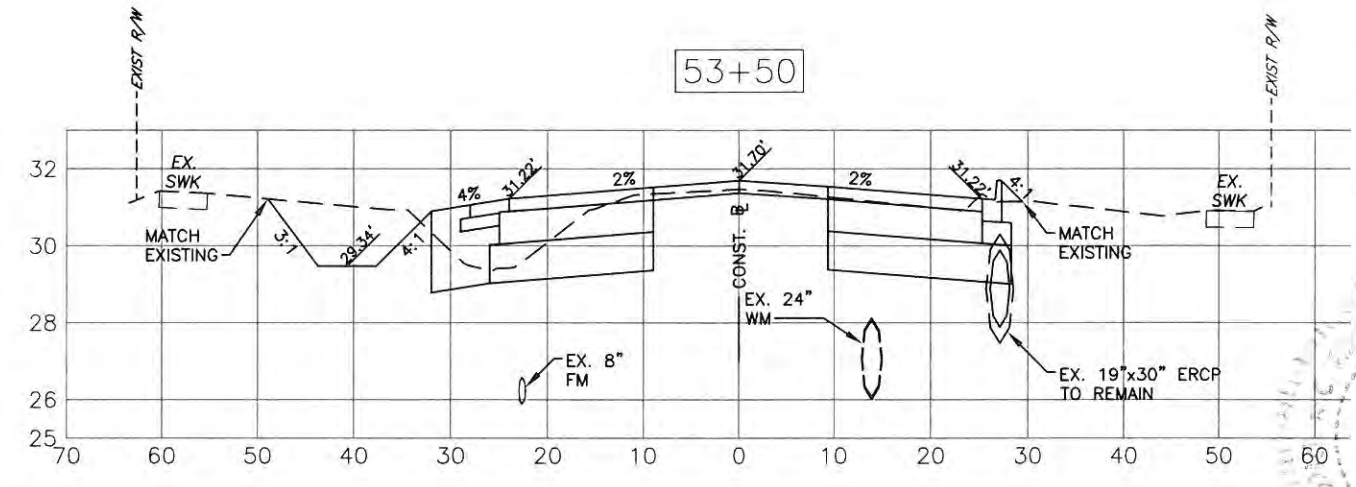
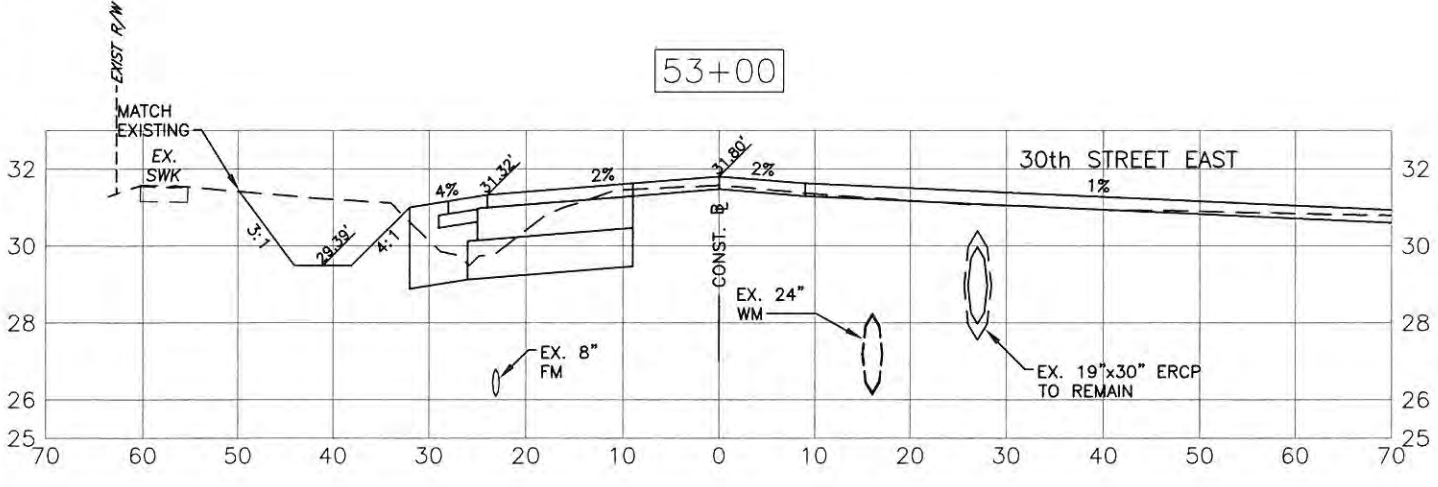
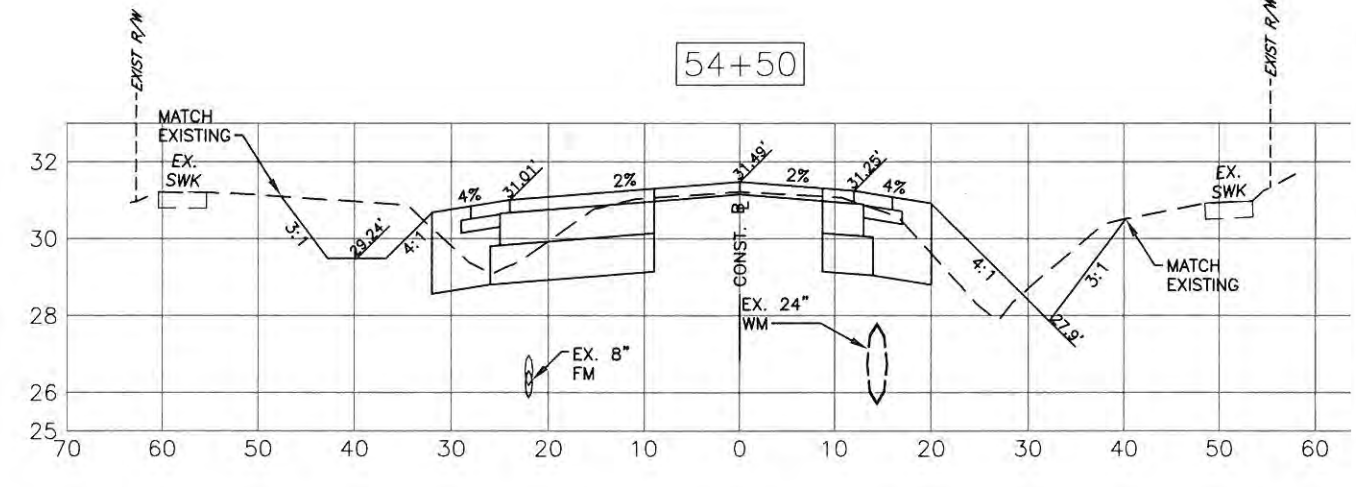
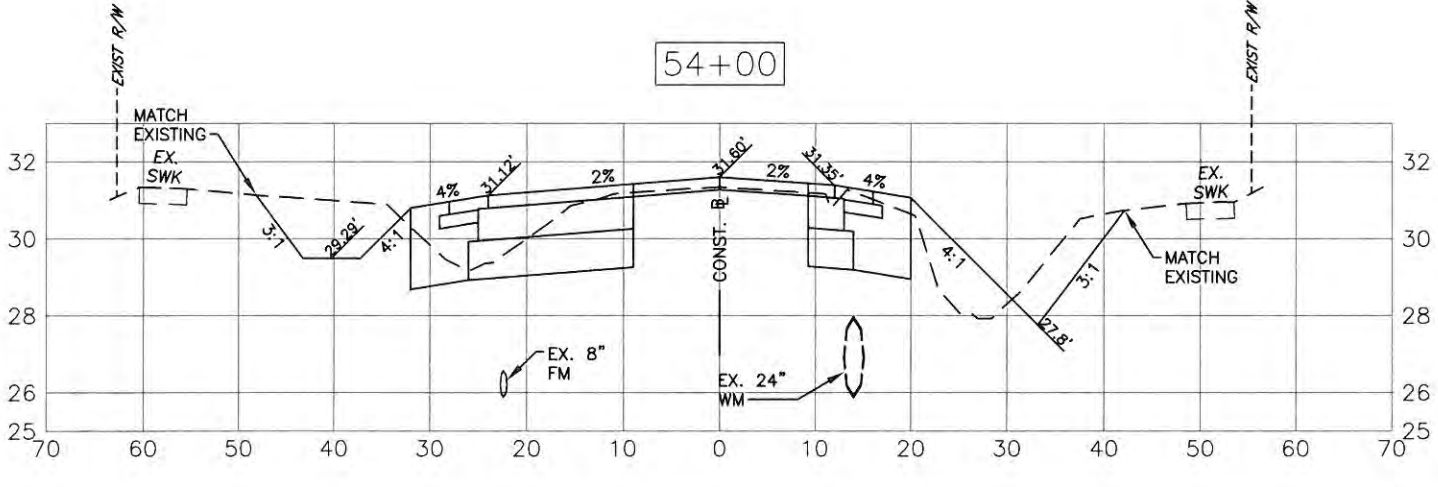
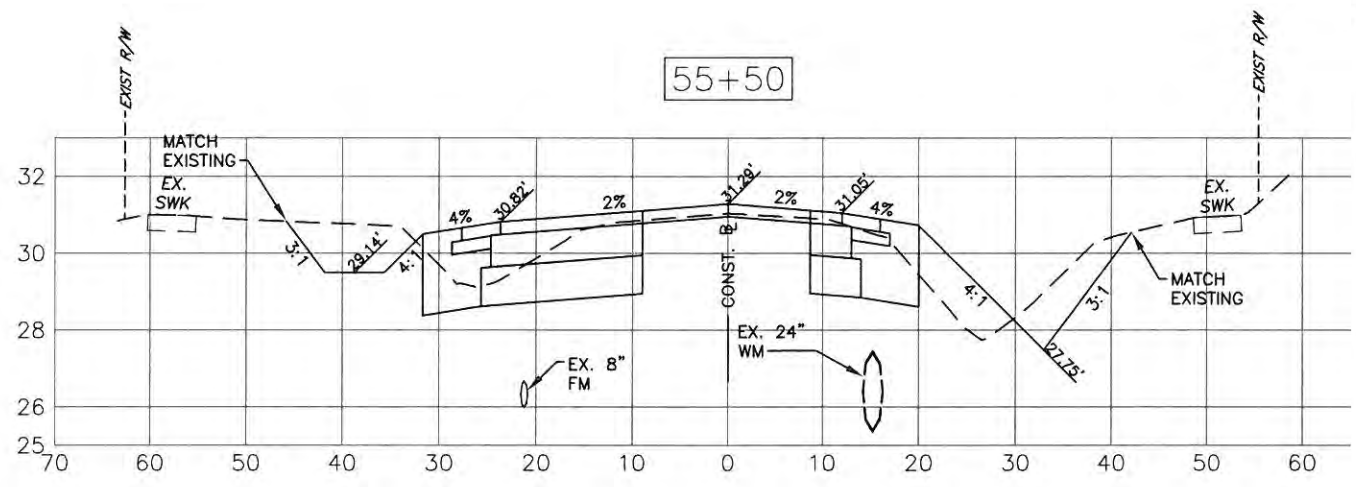
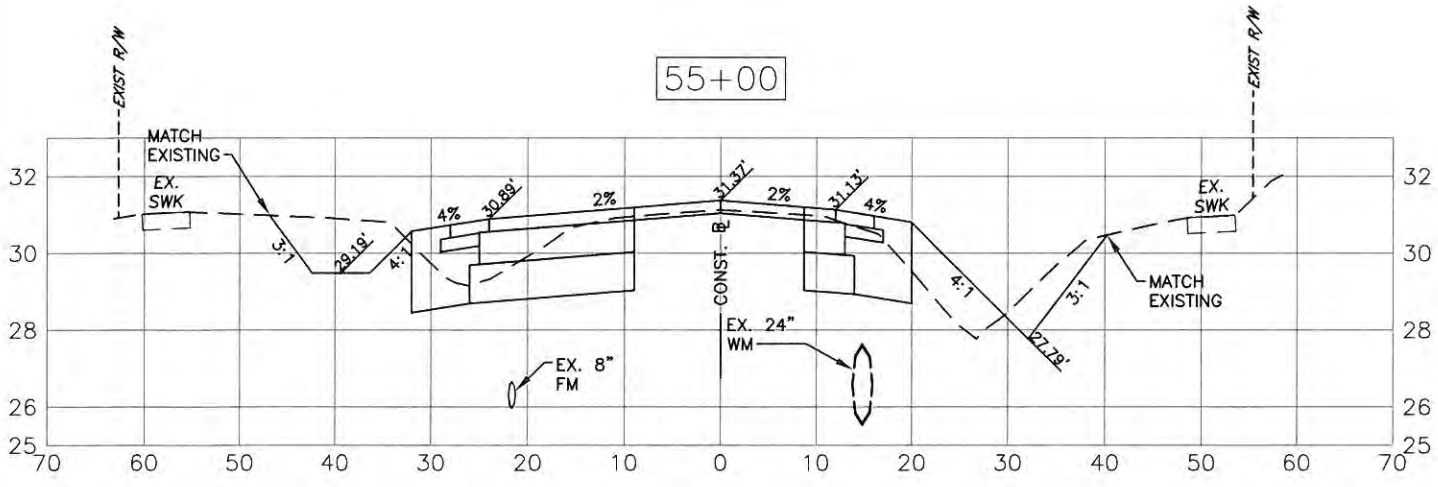


NO.	REVISION DESCRIPTION	BY	DATE

PROJECT # 323-6054764  
 SURVEY # 5303  
 SEC./TWN./RGE 7/35S/18E  
 SCALE H=1/20 V=1:5  
 DESIGNED AAM 01/11/13  
 DRAWN TMF 01/11/13  
 CHECKED JP/GB 09/2014  
 CHRIS L. MOWBRAY, P.E.  
 FLORIDA P.E. # 46777  
 Signature & Date  
**SHEET 49**

S:\PMD\_Engineering\Shore\Highway\_Engineering\ROADS\Fort Hamer\_Road\DWG\FH\_KSEC\_2 DWG.dwg 10/24/2014 7:38 AM Tom Forrester 1:1, 11x17

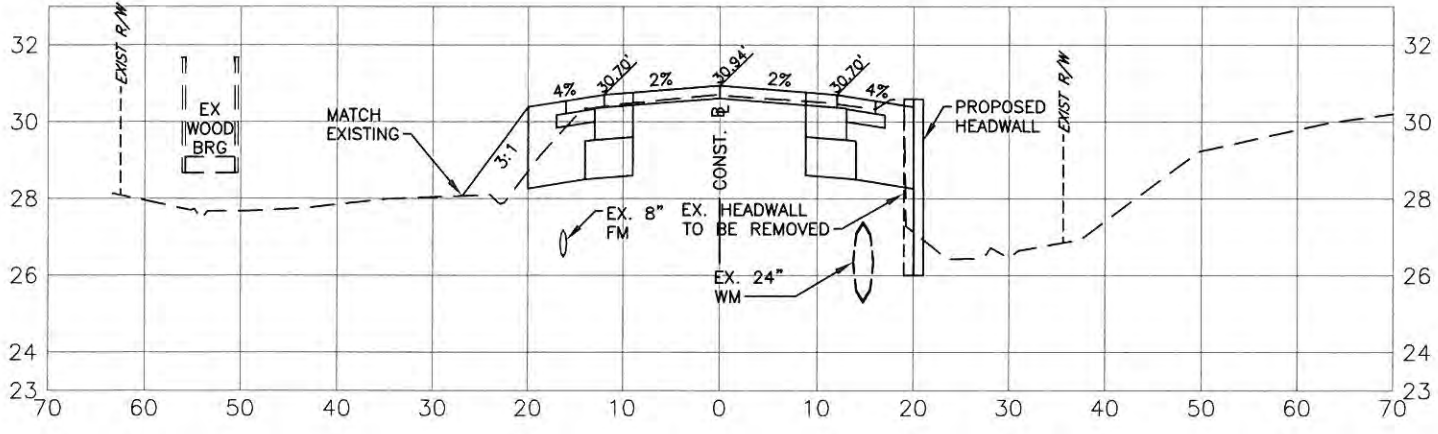
**FORT HAMER ROAD PHASE II US  
301 TO FUTURE FORT HAMER  
BRIDGE  
CROSS SECTIONS  
STA 53+00 TO STA 55+50**



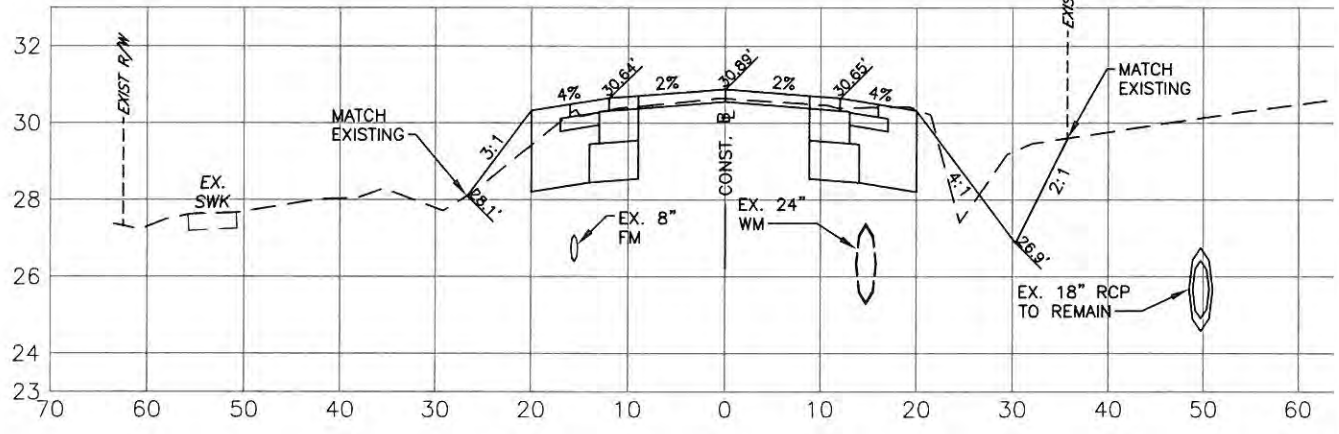
NO.	REVISION DESCRIPTION	BY	DATE
PROJECT #	323-6054764		
SURVEY #	5303		
SEC./TWN/RGE	7/35S/18E		
SCALE	H=1:20, V=1:5		
SURVEYED	ZNS		
DESIGNED	AAM 01/11/13		
DRAWN	TMF 01/11/13		
CHECKED	JP/GB 09/2014		
CHRIS L. DOWBRAY, P.E.			
FLORIDA P.E. # 46777			
Signature & Date			

**FORT HAMER ROAD PHASE II US  
301 TO FUTURE FORT HAMER  
BRIDGE  
CROSS SECTIONS  
STA 56+00 TO STA 58+50**

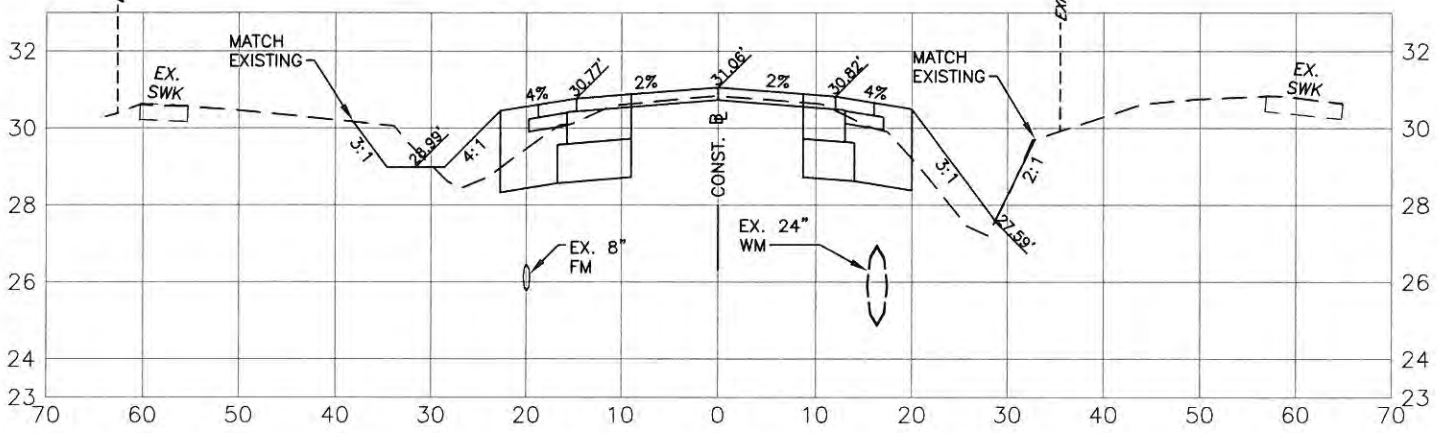
58+00



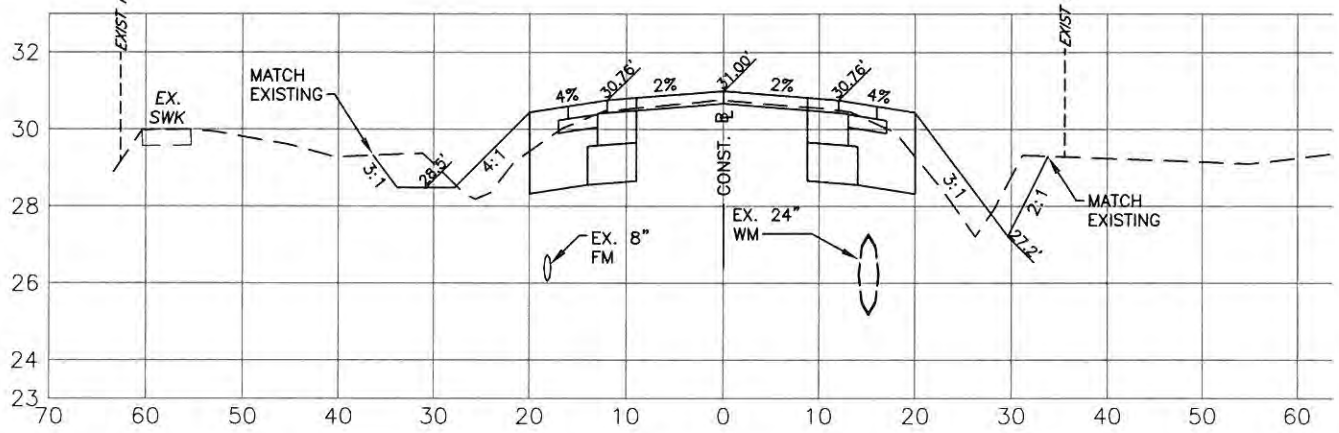
58+50



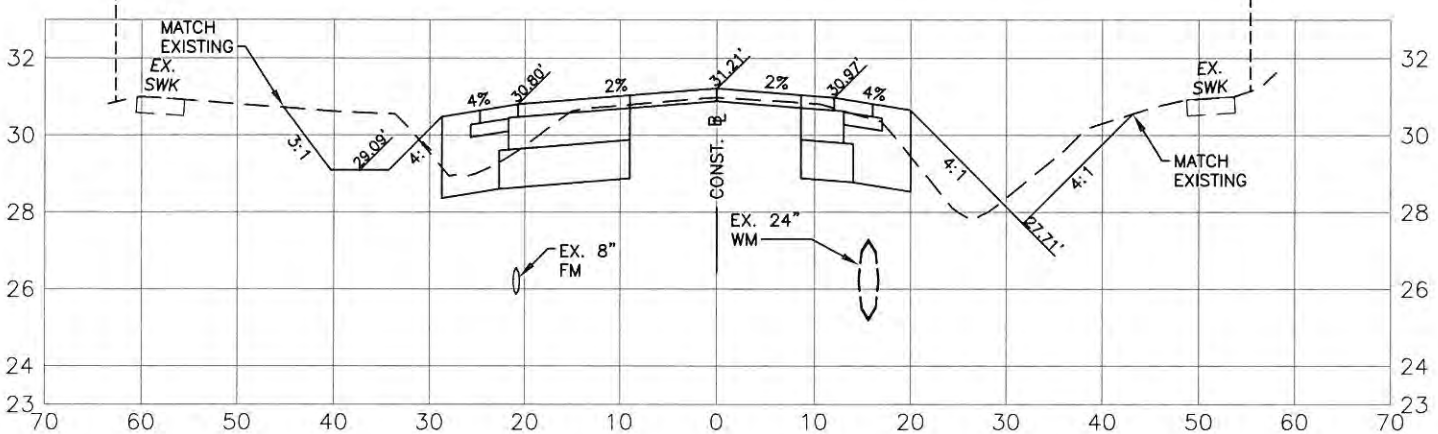
57+00



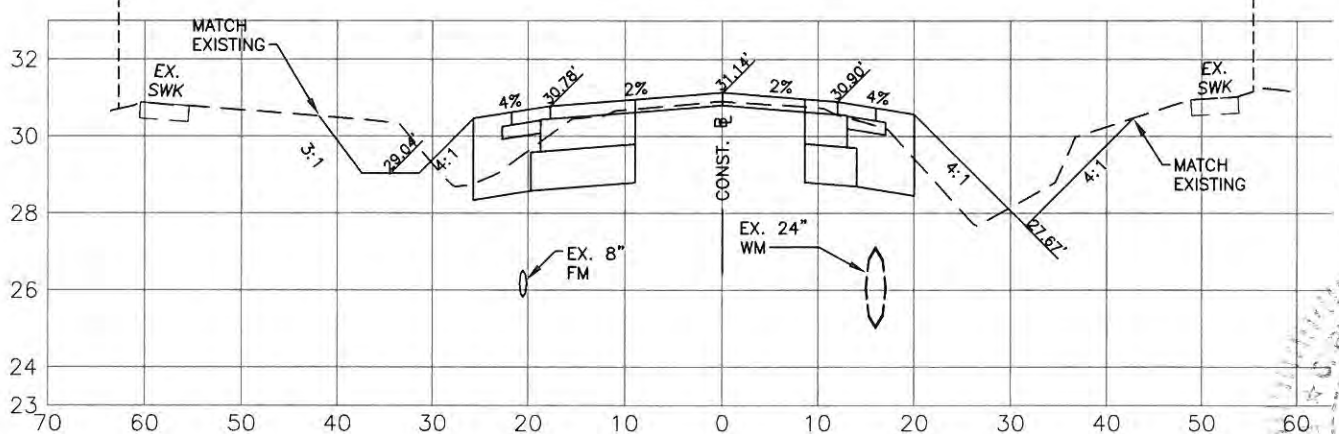
57+50



56+00



56+50



NO.	REVISION DESCRIPTION	BY	DATE

PROJECT #	323-6054764
SURVEY #	5303
SEC./TWN./RGE	7/35S/18E
SCALE	H=1:20 V=1:5
DESIGNED	AAM 01/11/13
DRAWN	JP/TMF 01/11/13
CHECKED	JP/GB 09/2014
CHRIS L. MOWBRAY, P.E.	FLORIDA P.E. # 46777
Signature & Date	

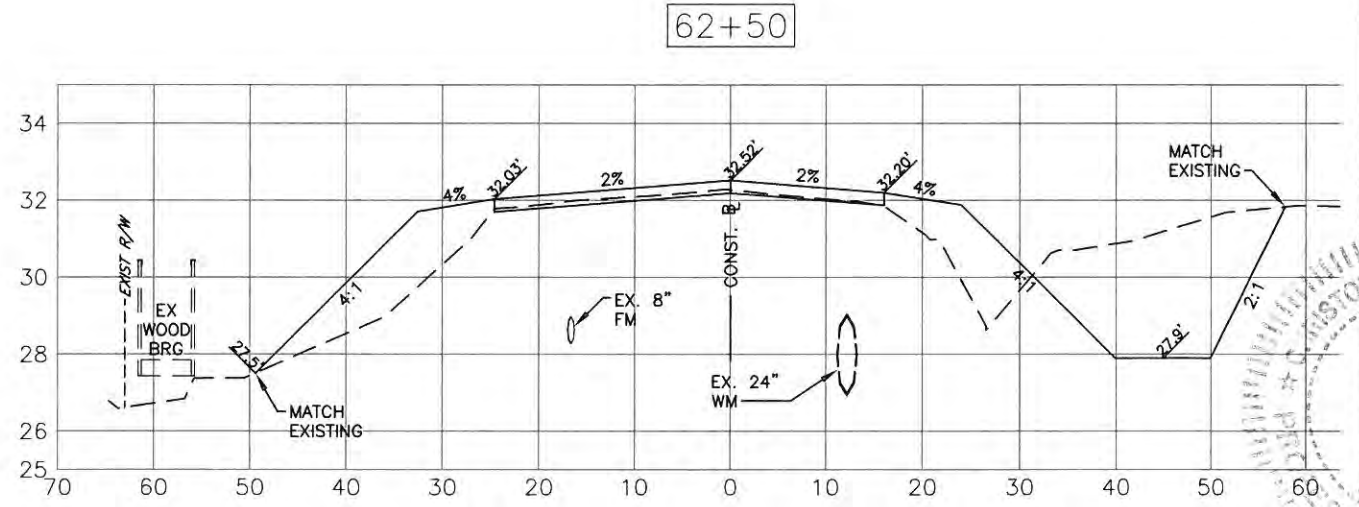
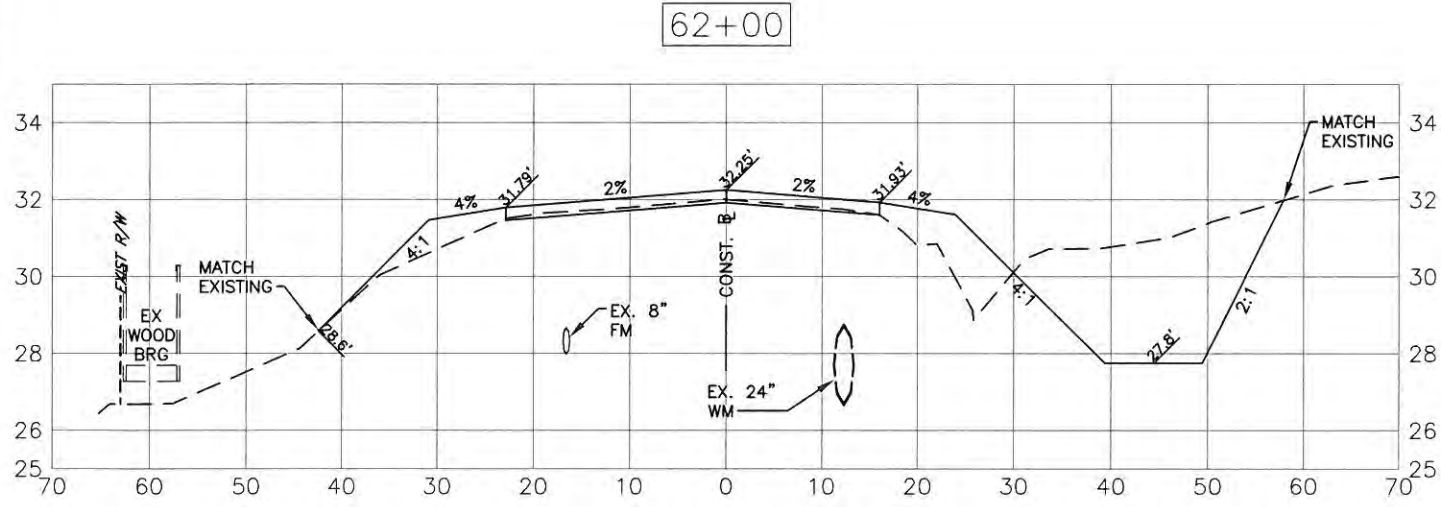
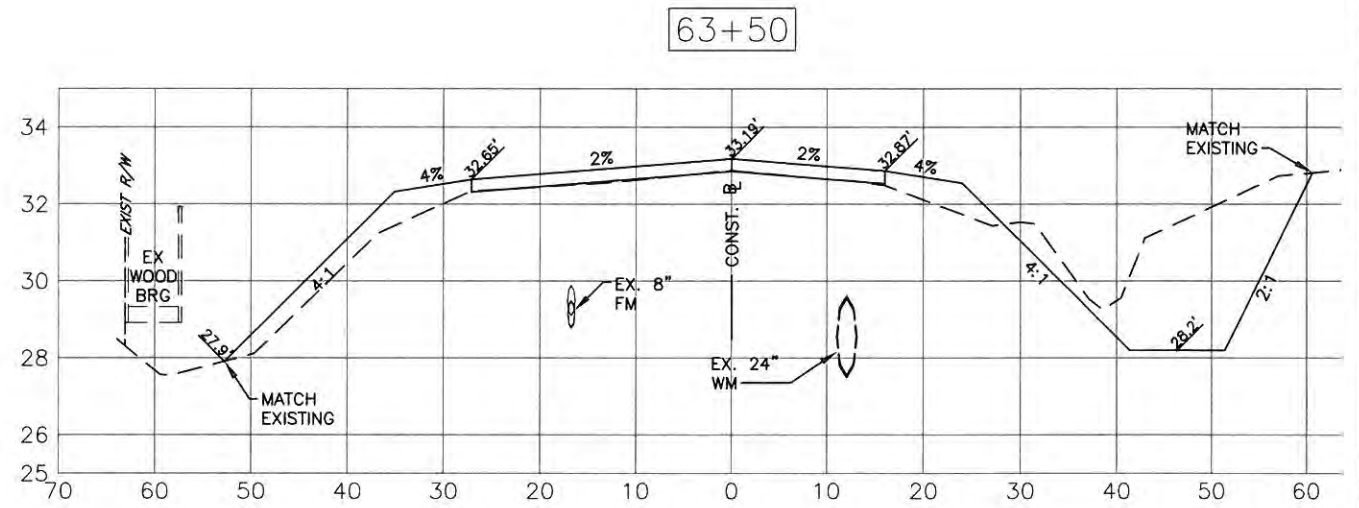
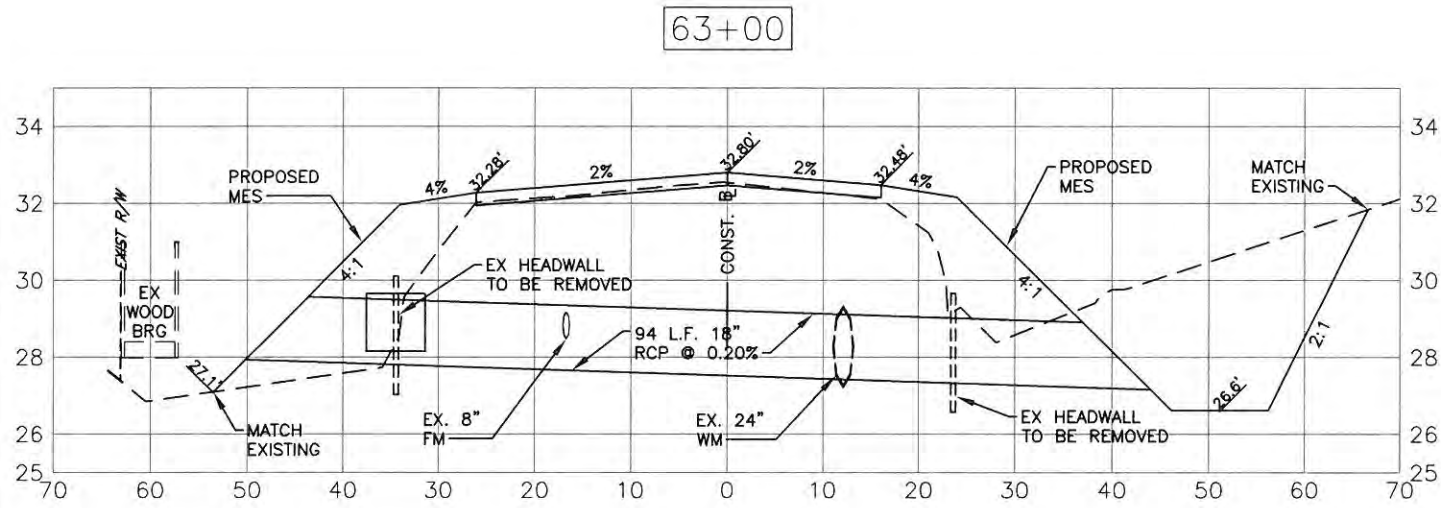
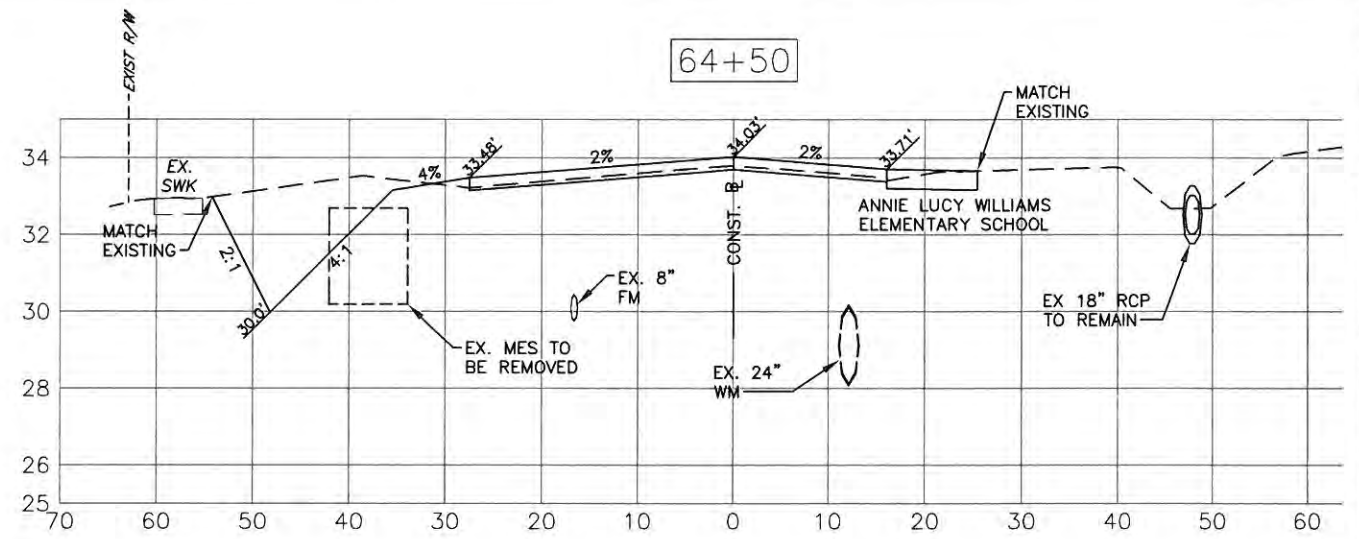
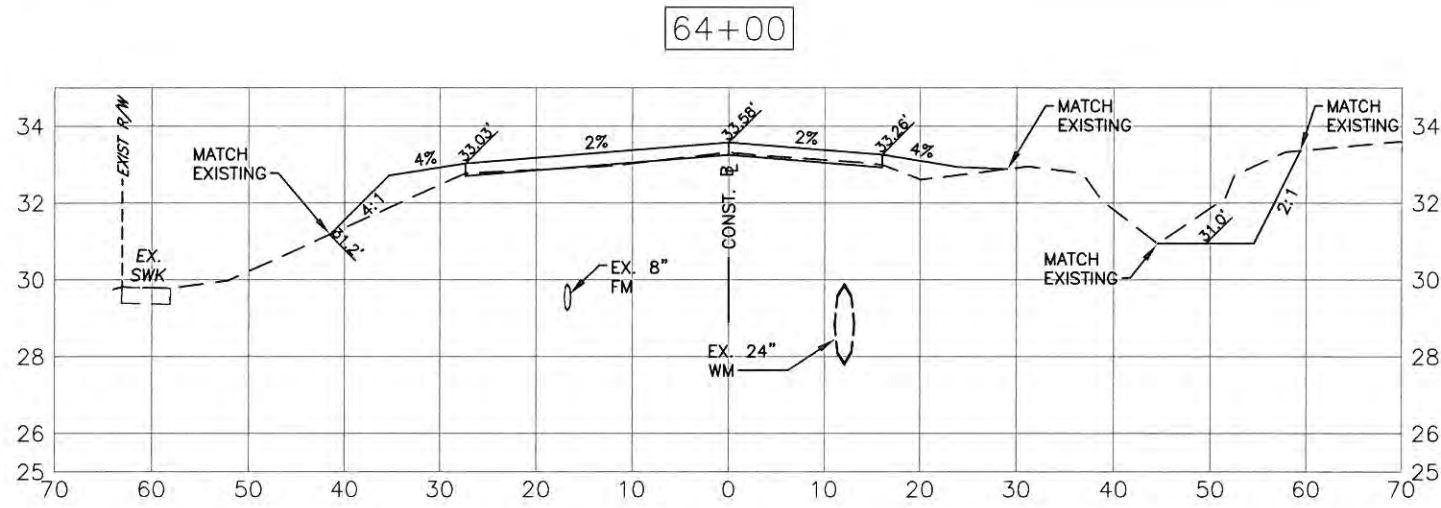
S:\PMD\_Engineering\Share\Highway\_Engineering\RD0051\Fort\_Hamer\_Road\DWG\FH\_KSEC\_2.DWG:51\_KSEC\_10/24/2014 9:39 AM Thom Forrester, 1:1, 11x17





PUBLIC WORKS DEPARTMENT  
ENGINEERING SERVICES  
1022 26th Avenue East, Bradenton, FL 34208

**FORT HAMER ROAD PHASE II US**  
**301 TO FUTURE FORT HAMER**  
**BRIDGE**  
**CROSS SECTIONS**  
**STA 62+00 TO STA 64+50**



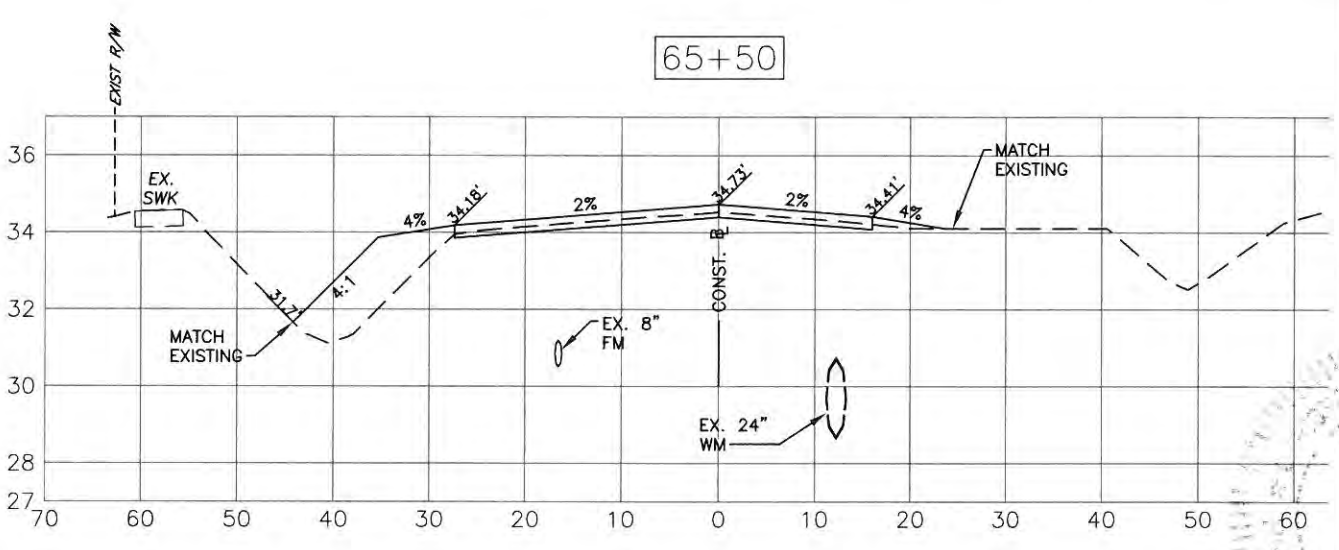
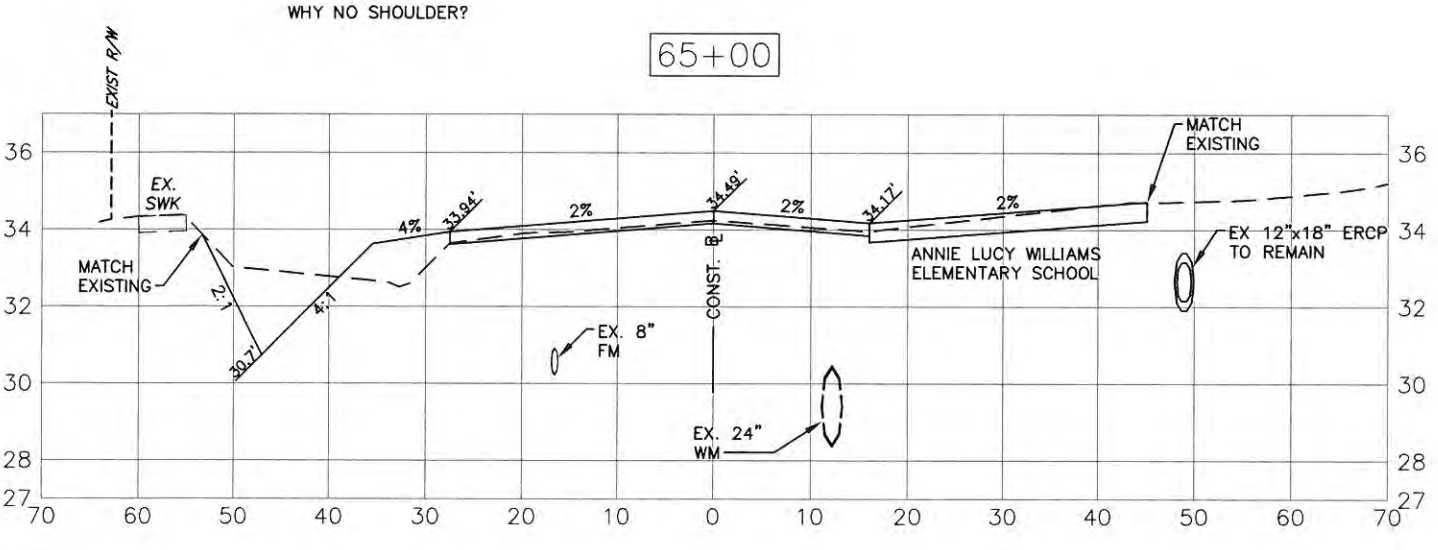
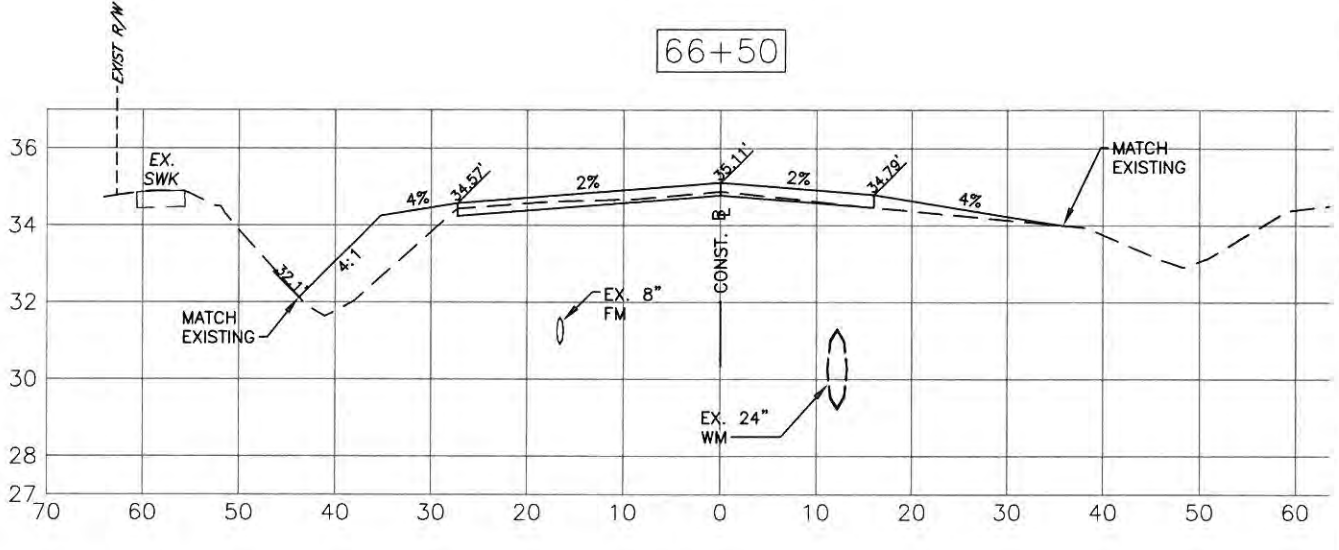
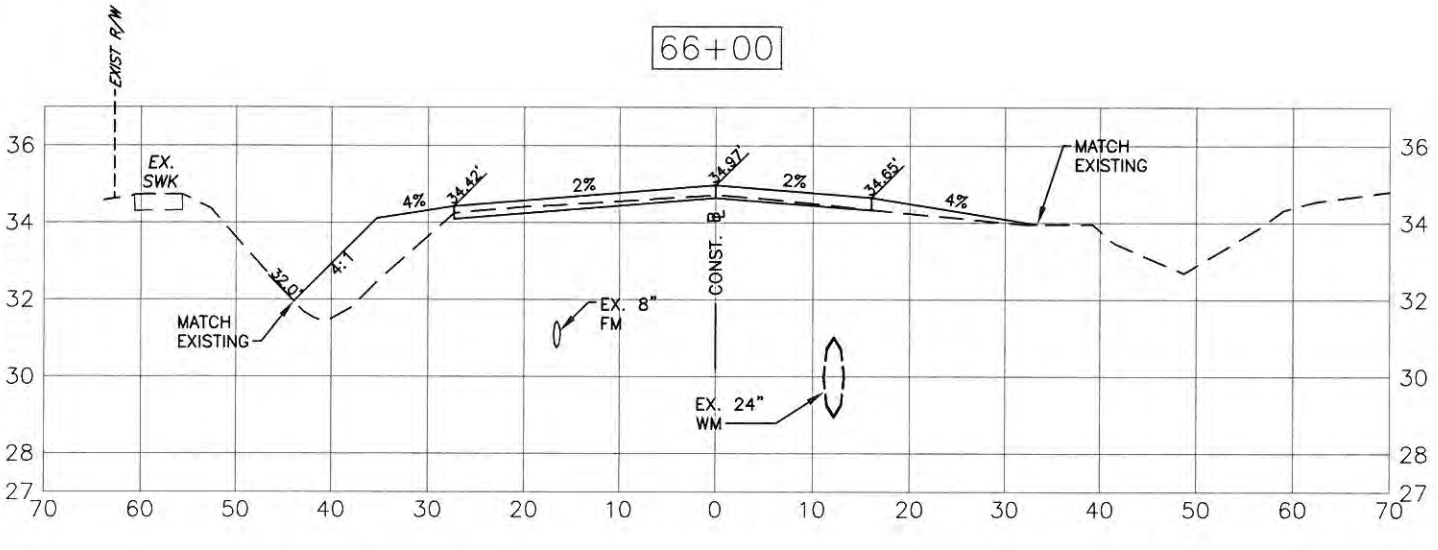
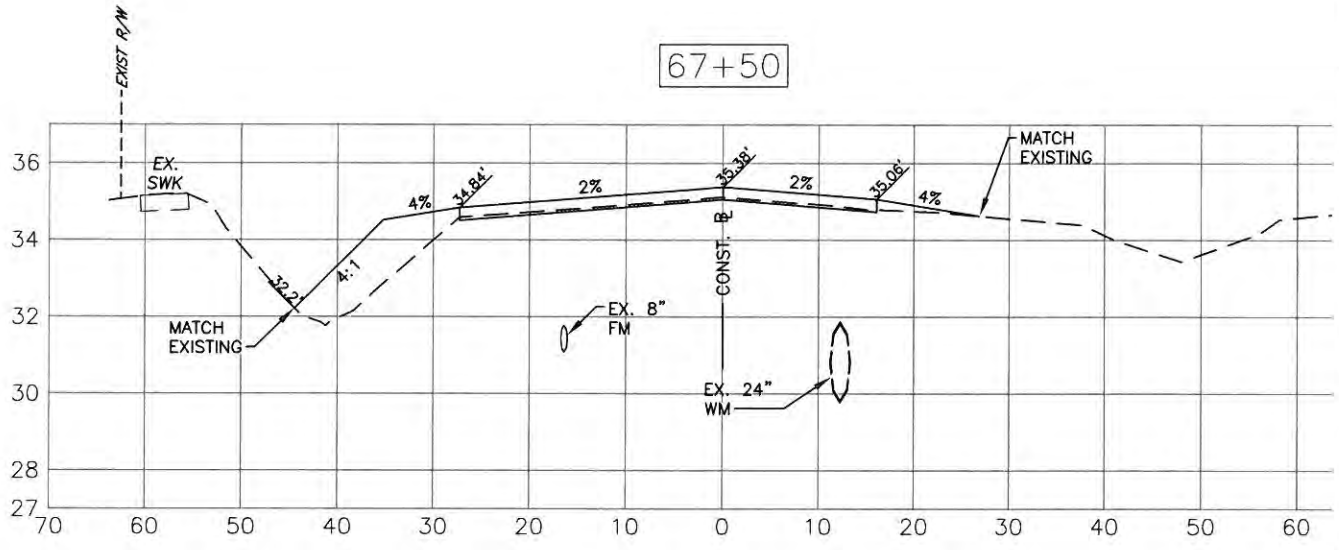
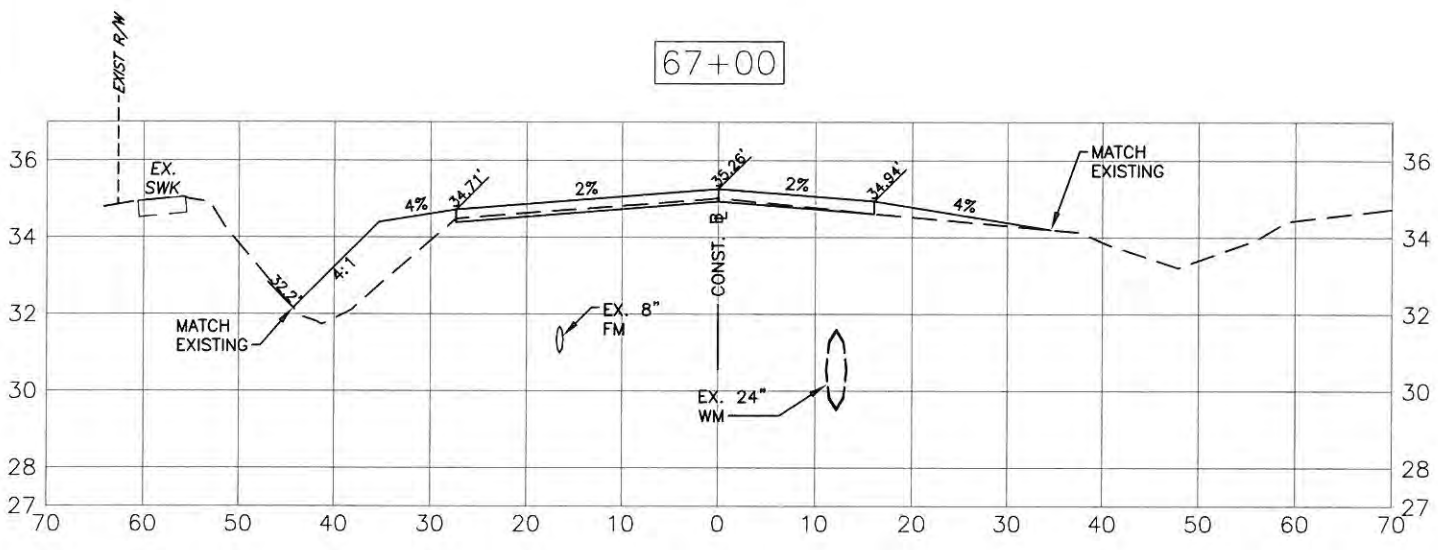
NO.	REVISION DESCRIPTION	BY	DATE

PROJECT #	323-6054764
SURVEY #	5303
SEC./TWN./RGE	7/35S/18E
SCALE	H=1:20, V=1:5
BY	DATE
SURVEYED	ZNS
DESIGNED	AAM 01/11/13
DRAWN	TMF 01/11/13
CHECKED	JP/GB 09/2014
CHRIS L. MOWBRAY, P.E.	
FLORIDA P.E. # 46777	

Signature & Date

S:\PMD\_Engineering\Shore Highway\_Engineering\WDOSS\Fort Hamer-Road\DWG\FH XSEC 2.DWG.S3 XSEC 10/24/2014 7:47 AM Thom Forrester, 1:1, 11x17

**FORT HAMER ROAD PHASE II US  
 301 TO FUTURE FORT HAMER  
 BRIDGE  
 CROSS SECTIONS  
 STA 65+00 TO STA 67+50**



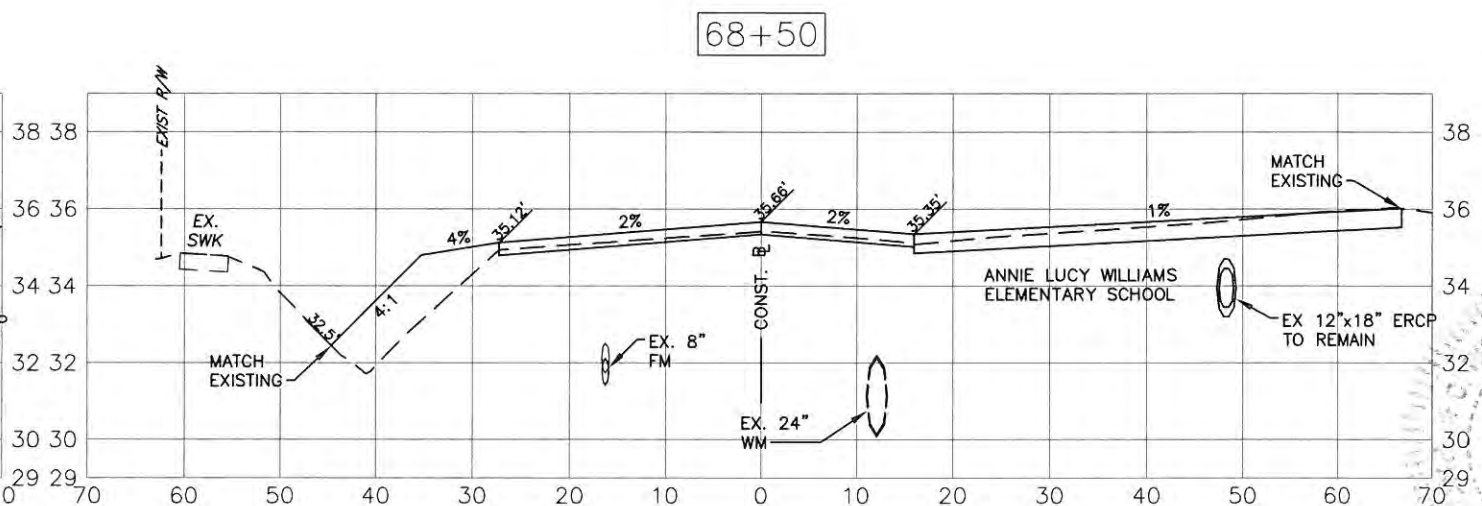
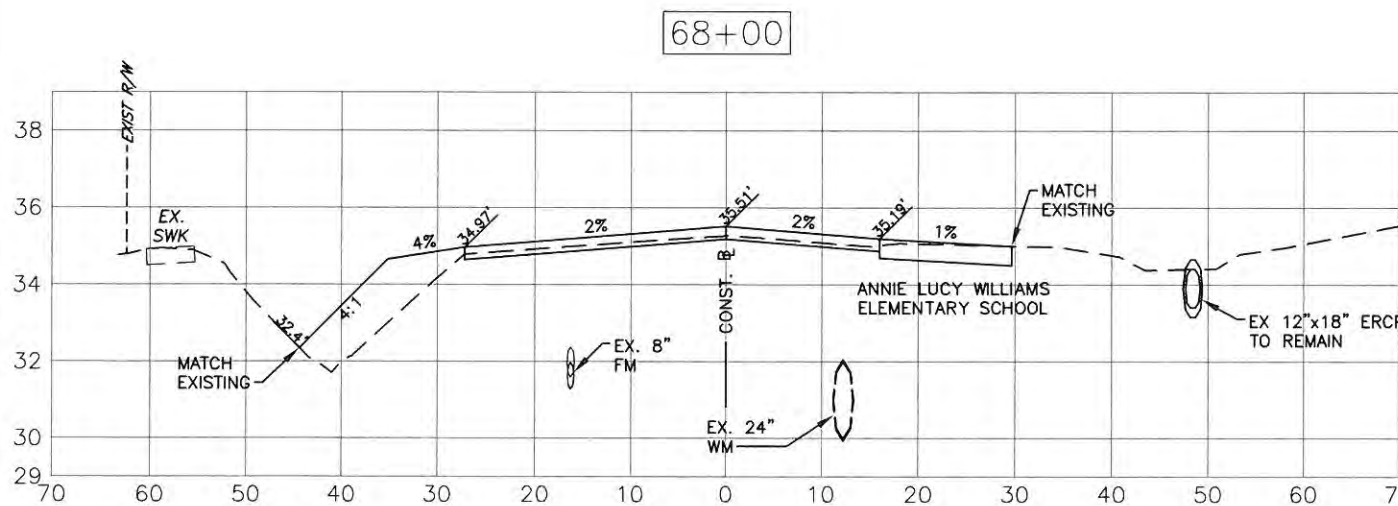
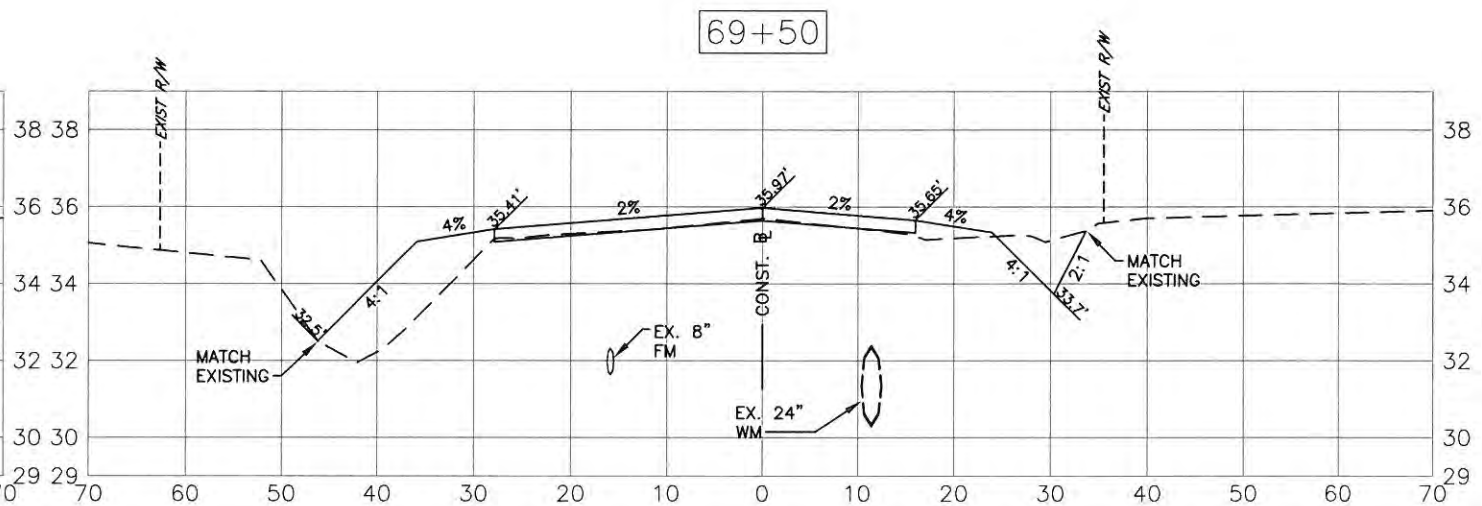
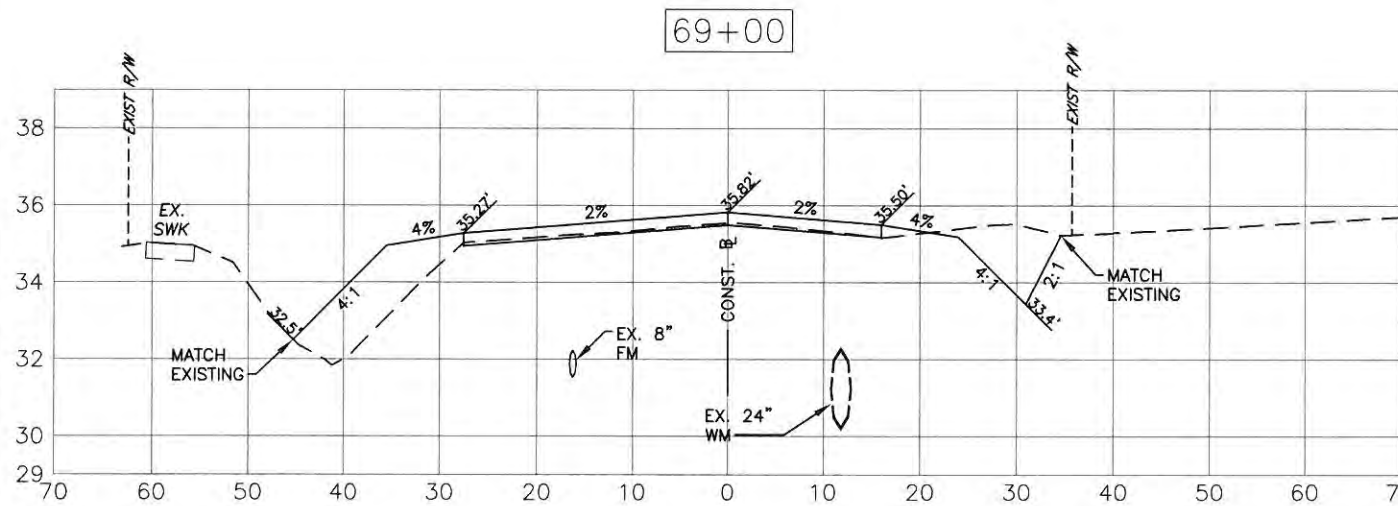
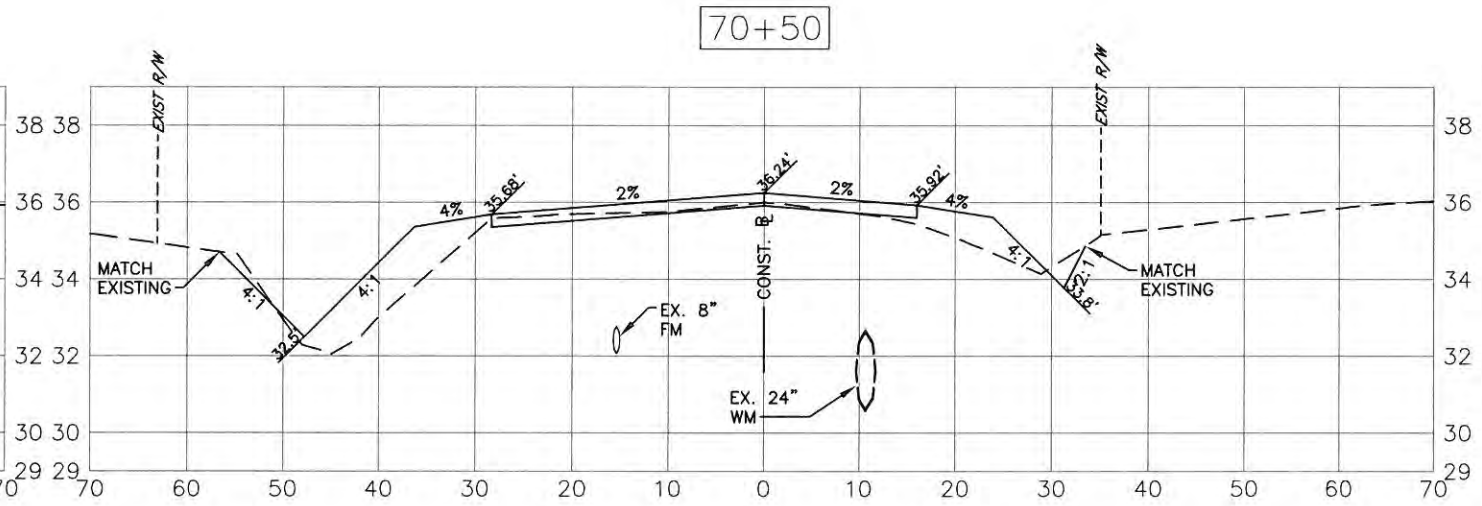
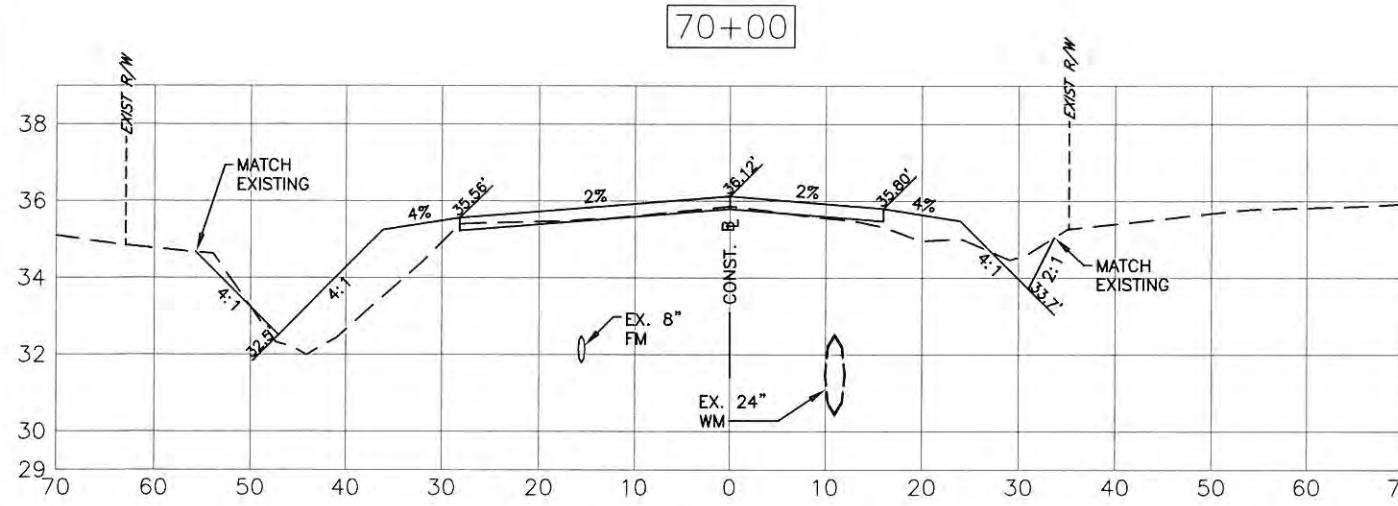
NO.	REVISION DESCRIPTION	BY	DATE

PROJECT #	323-6054764
SURVEY #	5303
SEC./TWN./RGE	7/35S/18E
SCALE	H=1:20, V=1:5
SURVEYED	ZNS
DESIGNED	AAM 01/11/13
DRAWN	JMF 01/11/13
CHECKED	JP/GB 09/20/14

CHRIS L. MOWBRAY, P.E.  
 FLORIDA P.E. # 46777

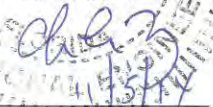
I:\VWS\_Engineering\Share\Highway\_Engineering\ROADS\Fort\_Hamer\_Road\DWG\FH\_XSEC\_10/24/2014 7:40 AM Thom Forrester\_111\_11x17

**FORT HAMER ROAD PHASE II US**  
**301 TO FUTURE FORT HAMER**  
**BRIDGE**  
**CROSS SECTIONS**  
**STA 68+00 TO STA 70+50**



NO.	REVISION DESCRIPTION	DATE

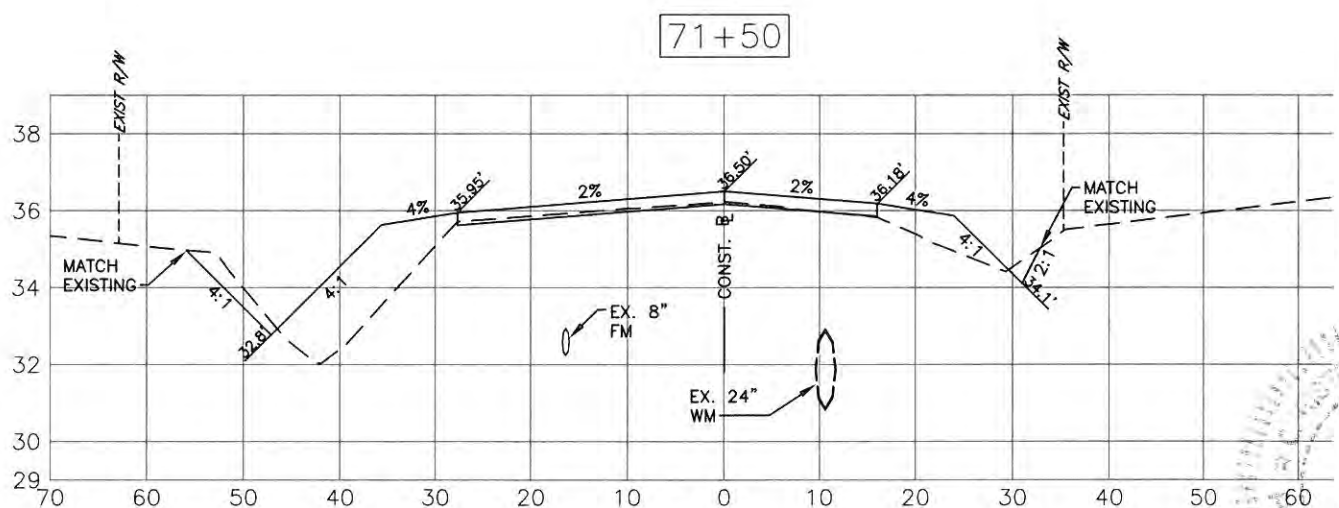
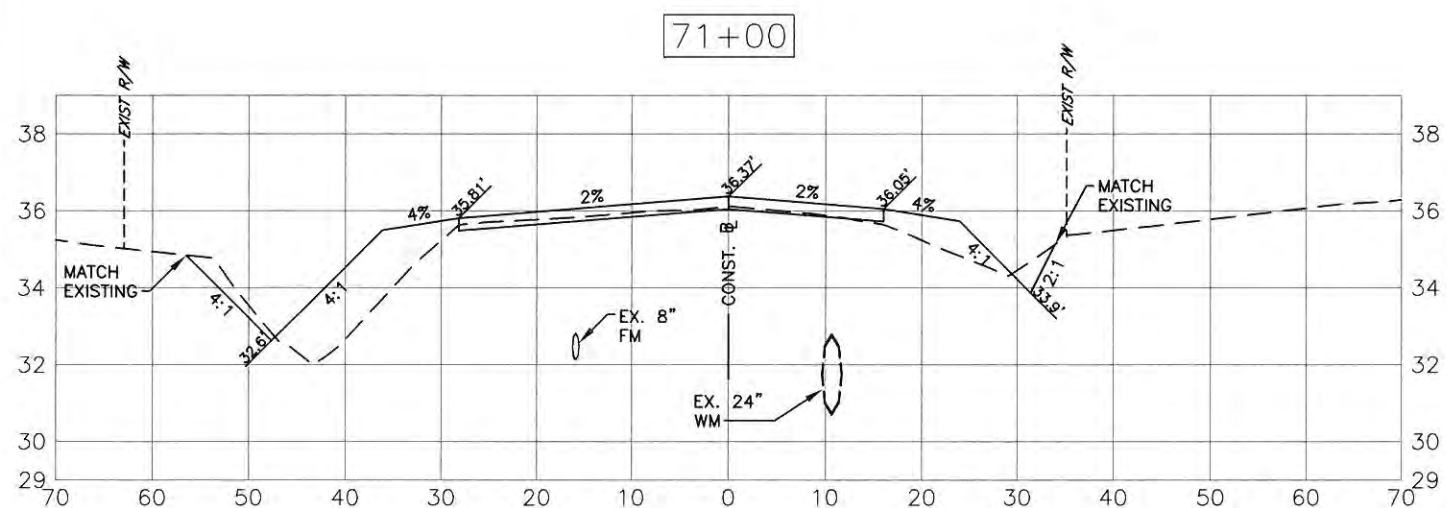
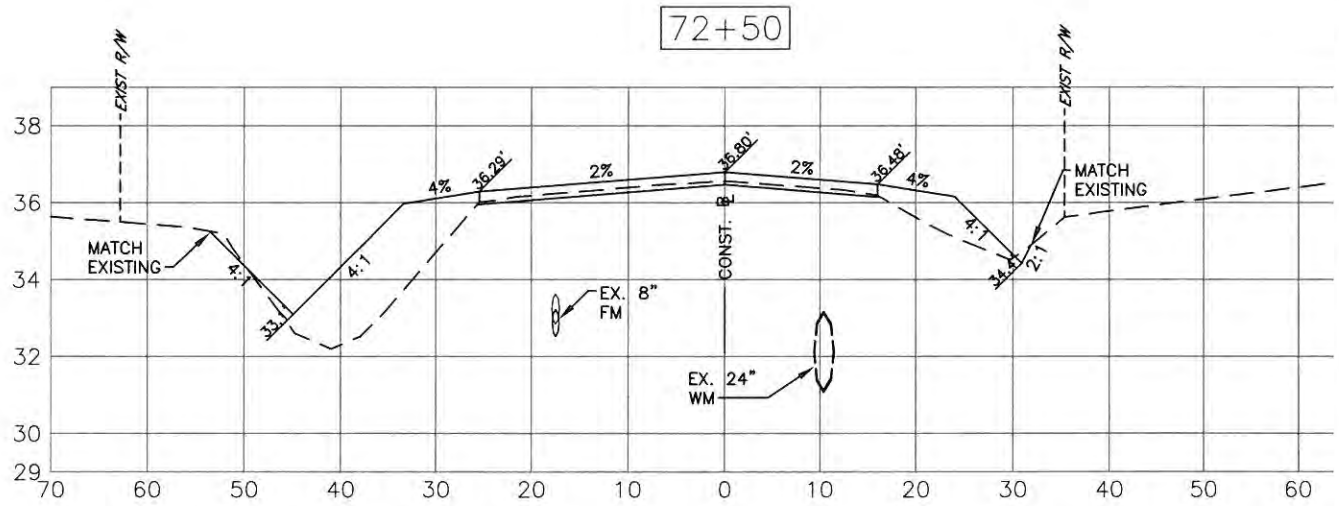
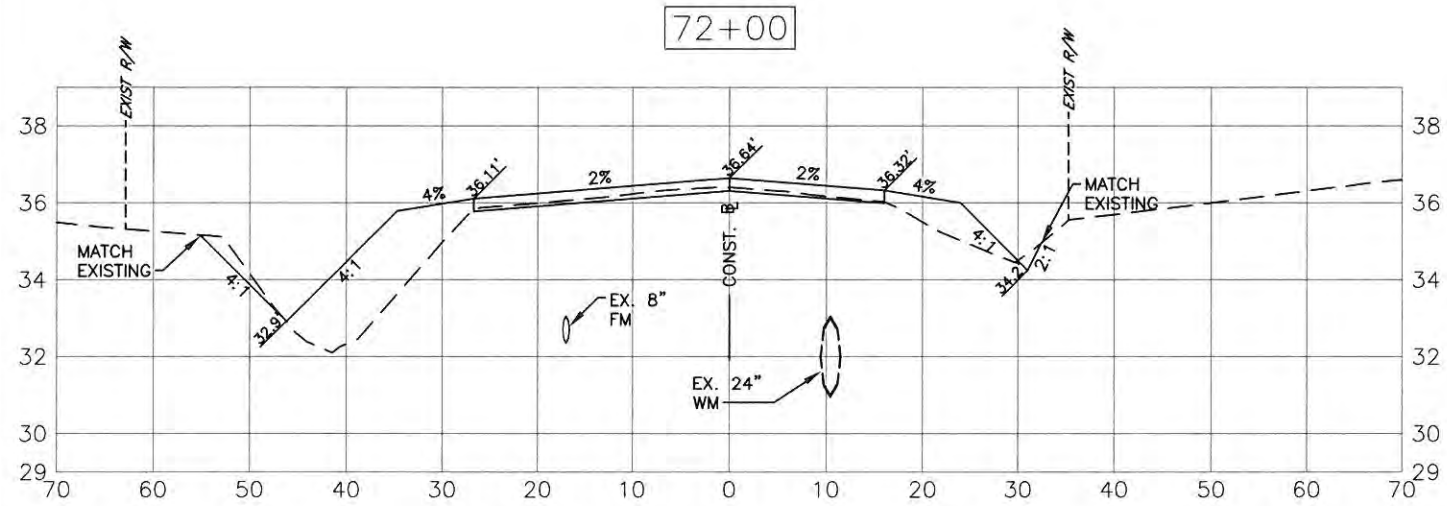
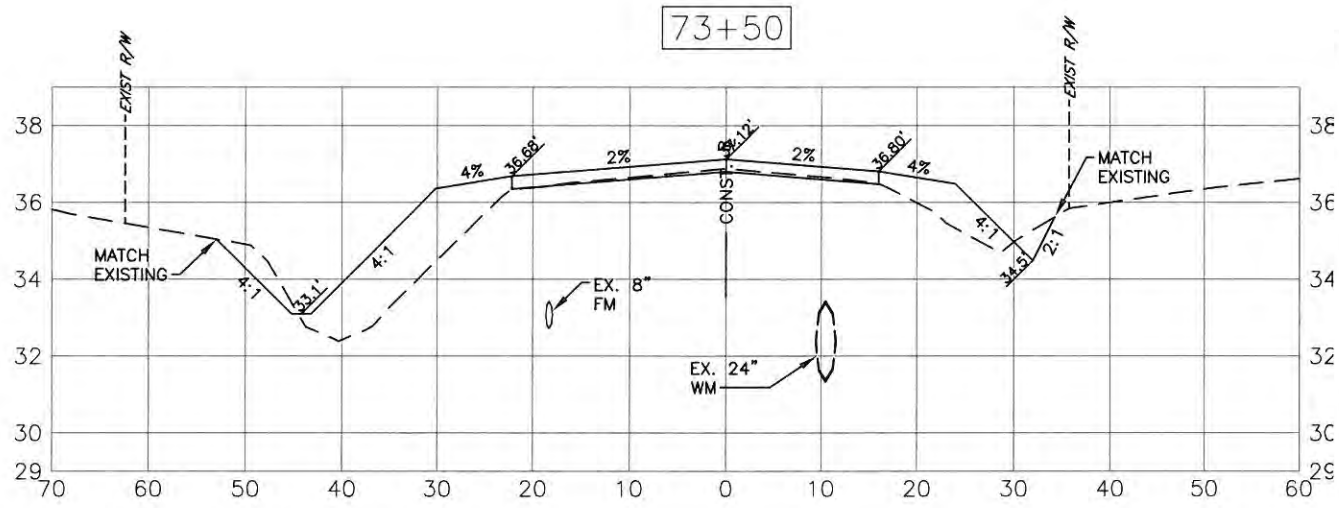
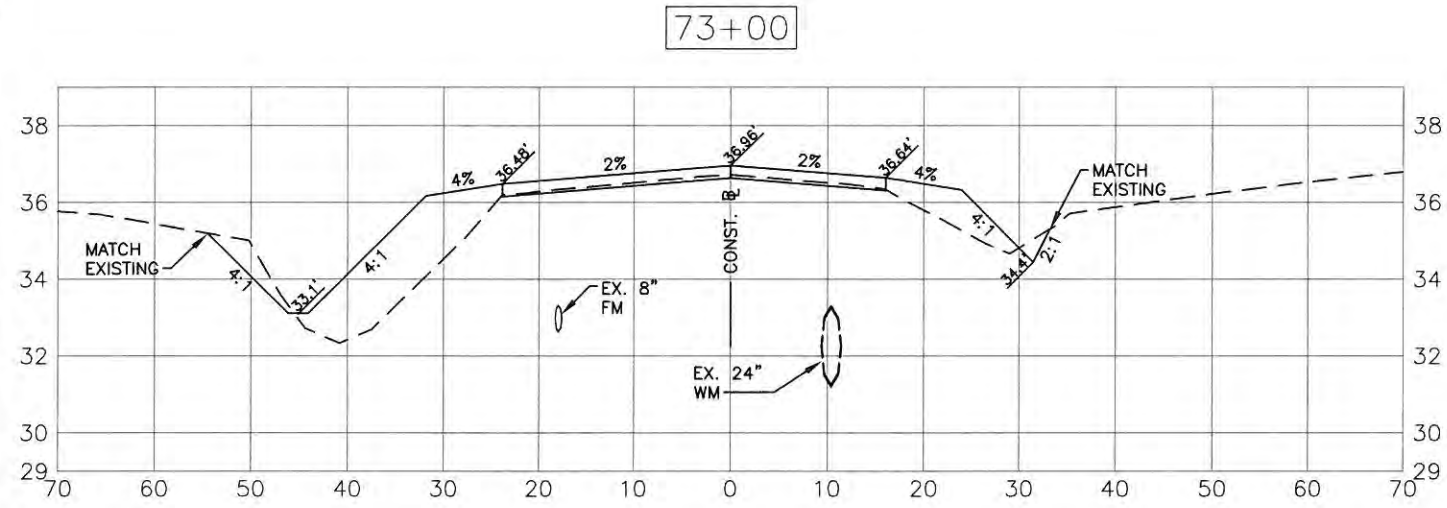
PROJECT #	323-6054764
SURVEY #	5303
SEC./TWN./RGE	7/35S/18E
SCALE	H=1:20, V=1:5
DESIGNED	AAM 01/11/13
DRAWN	IMF 01/19/13
CHECKED	JP/GB 09/20/14
BY	DATE
SURVEYED	ZNS
DESIGNED	AAM 01/11/13
DRAWN	IMF 01/19/13
CHECKED	JP/GB 09/20/14
CHRIS L. MOWBRAY, P.E.	FLORIDA P.E. # 46777
 Signature & Date	

S:\P\DWG\Engineering\Share\Highway\_Engineering\ROADS\Fort\_Hamer\_Road\DWG\FH\_XSEC\_10/24/2014\_7:40 AM from Forrester\_1.1\_11x17



PUBLIC WORKS DEPARTMENT  
ENGINEERING SERVICES  
1022 26th Avenue East, Bradenton, FL 34208

# FORT HAMER ROAD PHASE II US 301 TO FUTURE FORT HAMER BRIDGE CROSS SECTIONS STA 71+00 TO STA 73+50



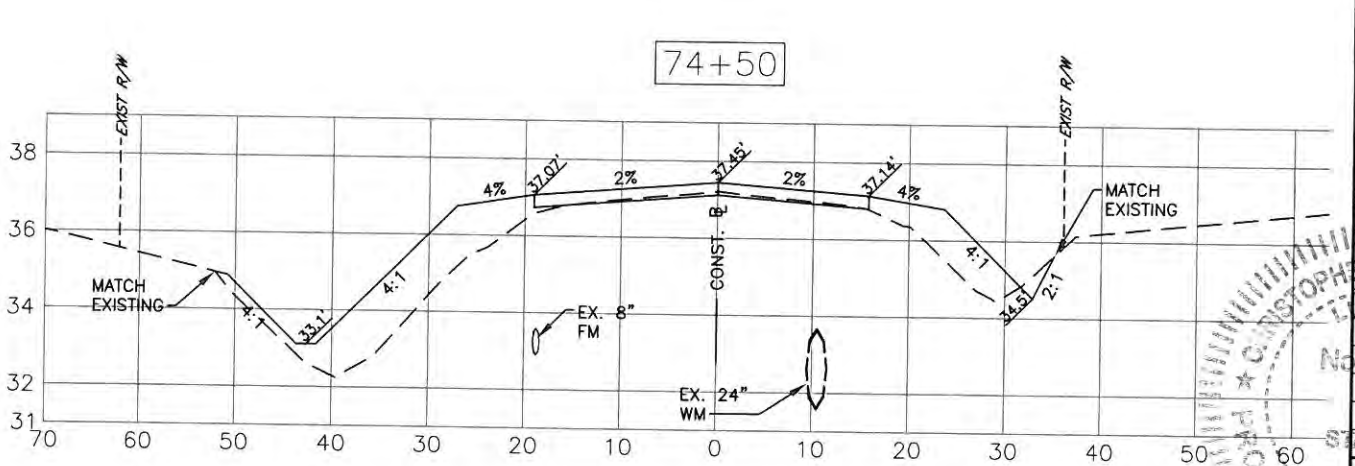
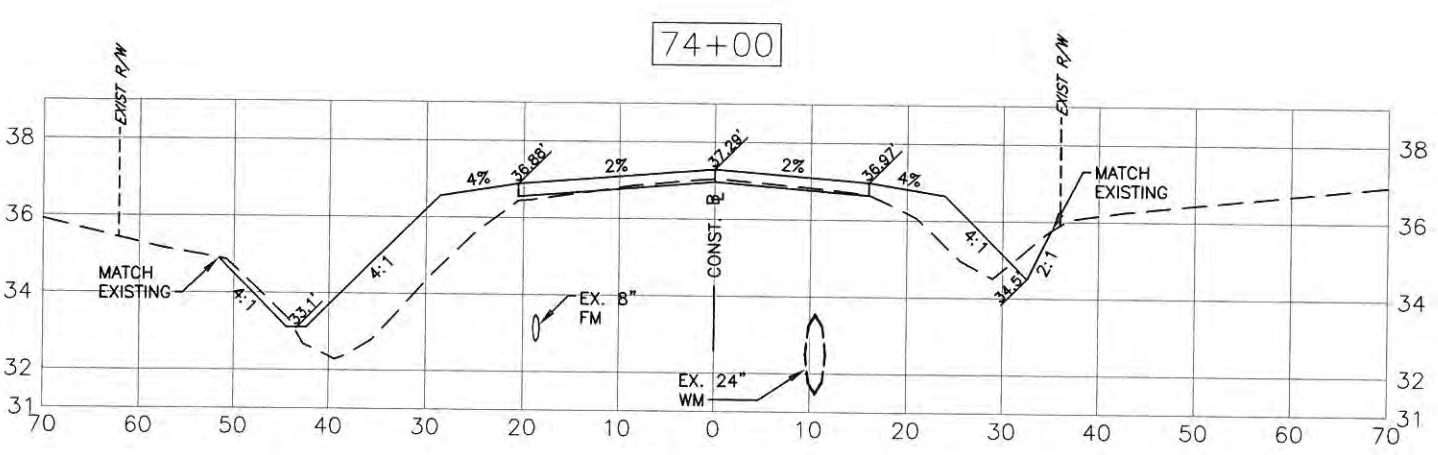
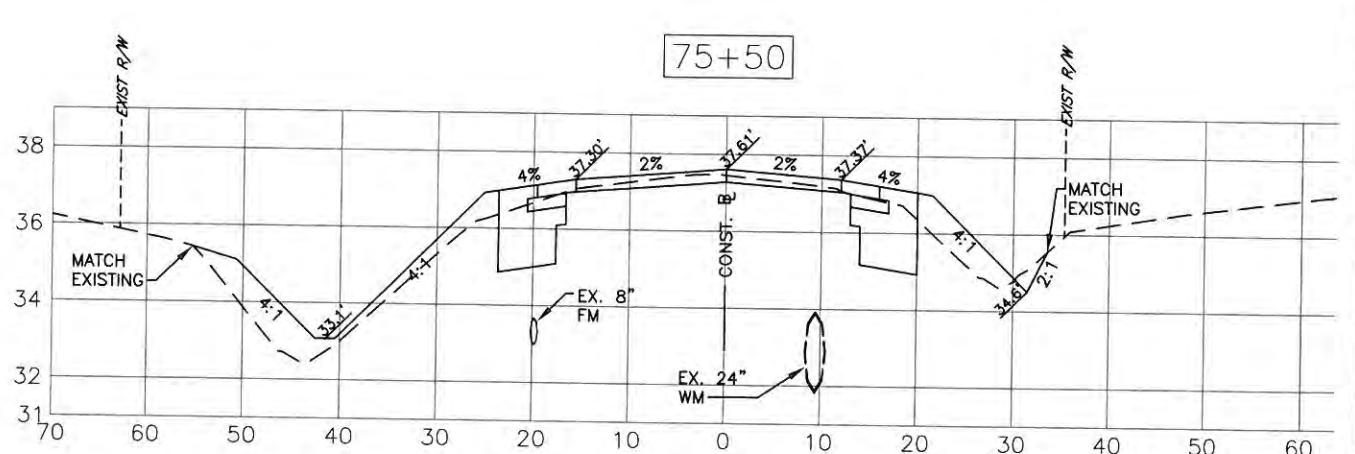
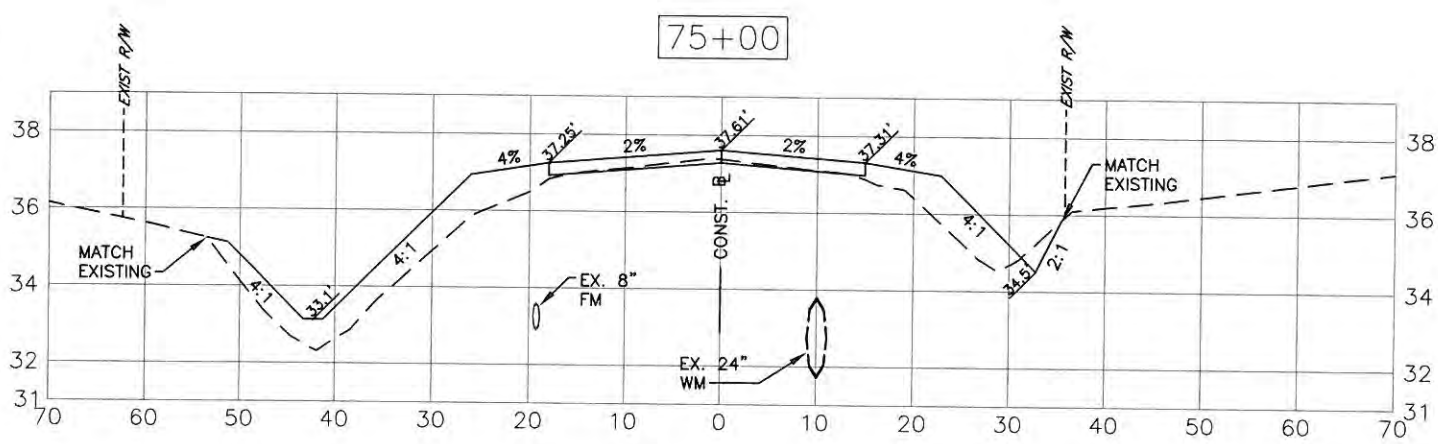
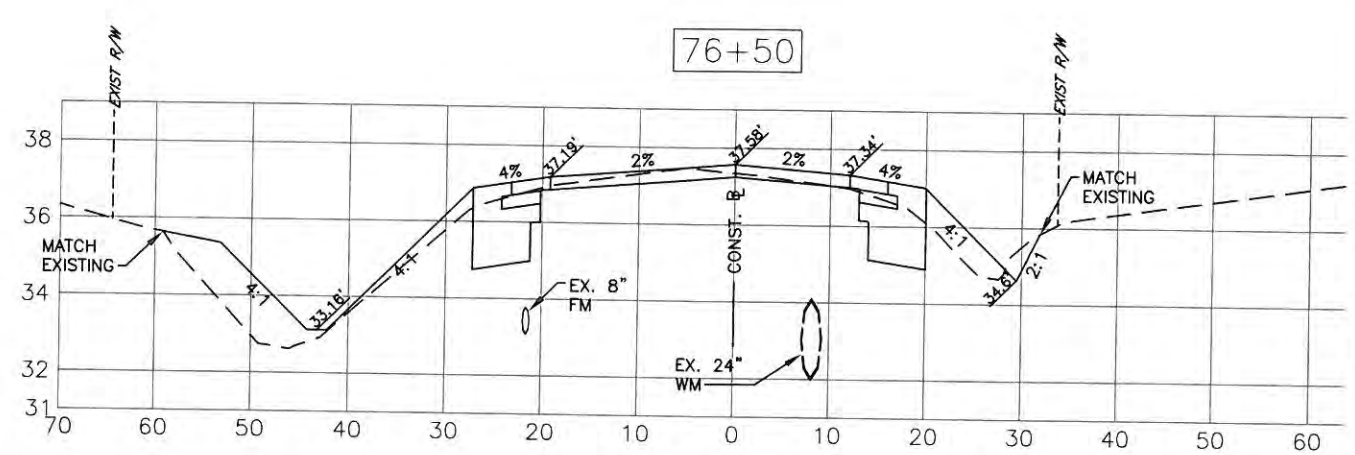
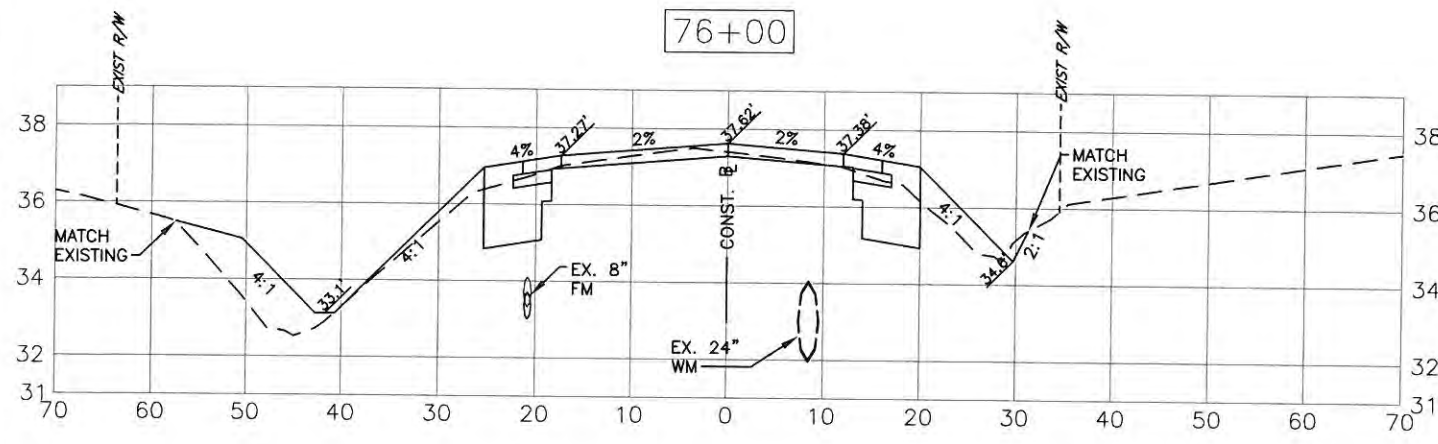
NO.	REVISION DESCRIPTION	BY	DATE

PROJECT #	323-6054764	
SURVEY #	5303	
SEC./TWN./RGE.	7/35S/18E	
SCALE	H=1/20, V=1:5	
BY	DATE	
SURVEYED	ZNS	01/11/13
DESIGNED	AAM	01/11/13
DRAWN	TMF	01/11/13
CHECKED	JP/GB	09/20/14
CHRIS L. MOWBRAY, P.E.	FLORIDA P.E. # 46777	
Signature & Date		

S:\PMD\_Engineering\Share\Highway\_Engineering\600051\fort\_hamer\_Road\DWG\FH\_KSEC\_2.DWG:66\_KSEC\_10/24/2014 7:47 AM Thom Forester: 1:1, 11/17



**FORT HAMER ROAD PHASE II US  
301 TO FUTURE FORT HAMER  
BRIDGE  
CROSS SECTIONS  
STA 74+00 TO STA 76+50**



NO.	REVISION DESCRIPTION	DATE
PROJECT #	323-6054764	
SURVEY #	5303	
SEC./TOWN/RGE	17/35S/18E	
SCALE	H=1/20, V=1:5	
BY		
DATE		
SURVEYED	ZNS	01/11/13
DESIGNED	AAM	01/11/13
DRAWN	TMF	01/14/13
CHECKED	JP/JB	06/20/14
CHRIS L. MOWBRAY, P.E.		
FLORIDA P.E. # 46777		
Signature & Date		

S:\P\02\_Engineering\Shore Highway\_Engineering\ROADS\1 of Hamer Road\03\03\_VSEC\_2.DWG:57\_XSEC\_10/24/2014 7:41 AM Thom Forester: 1:1, 11+17