

MANATEE COUNTY, FLORIDA

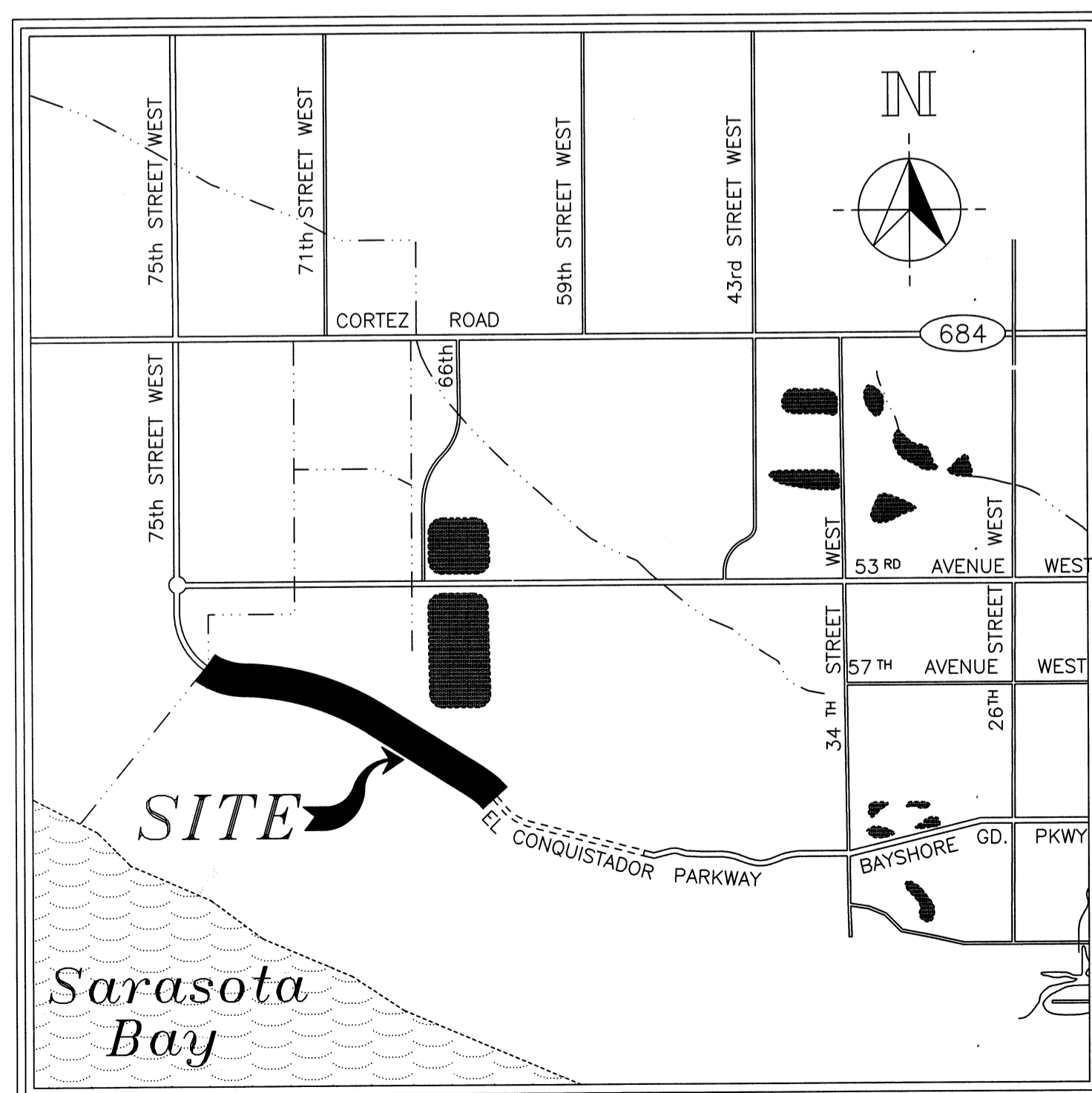
EL CONQUISTADOR PARKWAY EXTENSION

PHASE II

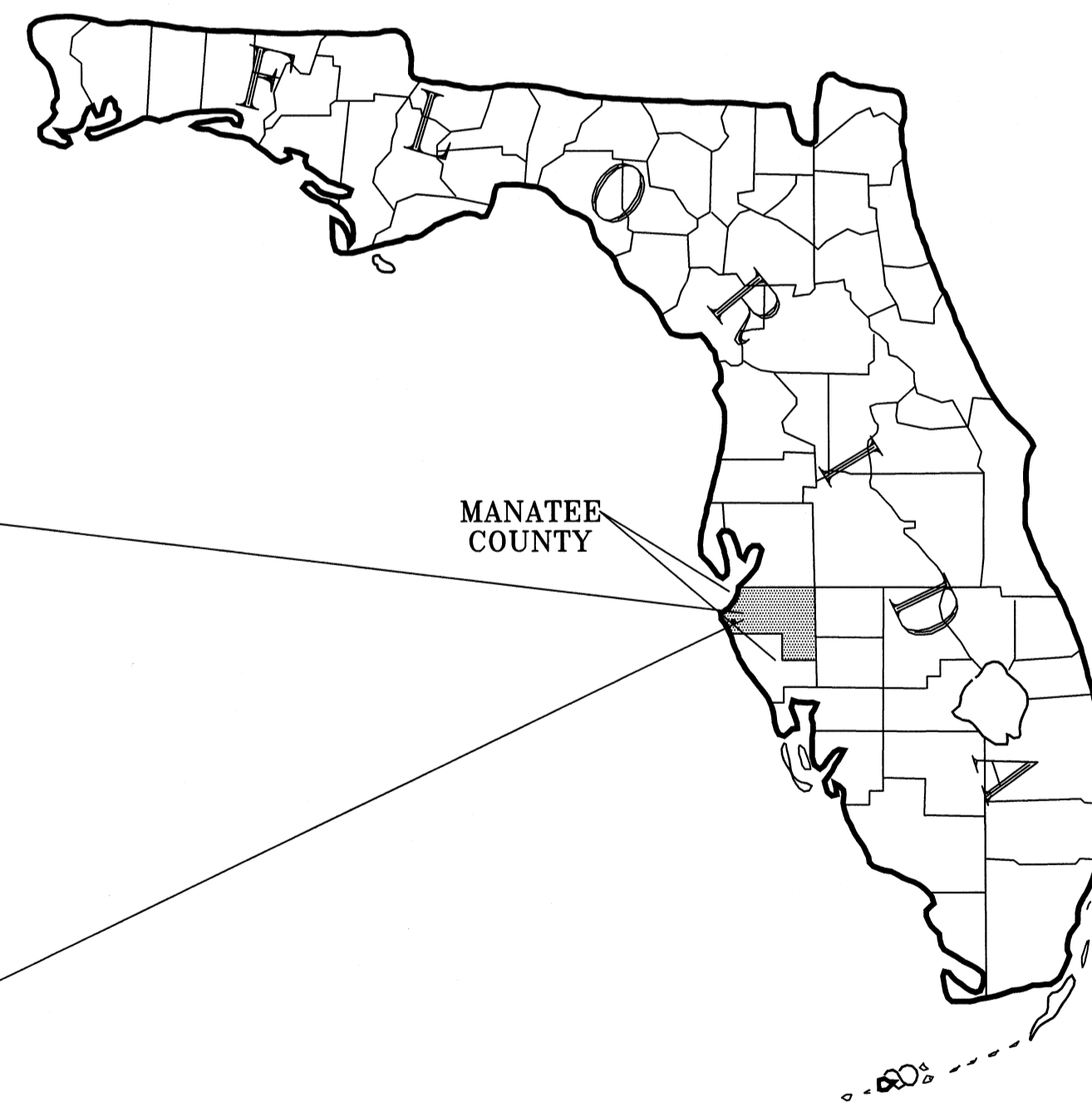
CONSTRUCTION PLANS

INDEX TO SHEETS	
1.	COVER
1A.	QUANTITIES
2.	EXISTING CONDITIONS W/PROJECT OVERLAY
3.	SURVEY CONTROL & BENCH MARK
3A.	HORIZONTAL & VERTICAL CONTROL PLAN
3B.	HORIZONTAL & VERTICAL CONTROL PLAN
3C.	RIGHT OF WAY AND EASEMENT MAP
3D.	RIGHT OF WAY AND EASEMENT MAP
4.	MASTER STORMWATER DRAINAGE PLAN
5.	TYPICAL ROADWAY CROSS-SECTION W/CURB DETAILS
6.	ROADWAY PLAN & PROFILE (STA. 107+50 - 113+00)
7.	ROADWAY PLAN & PROFILE (STA. 102+00 - 107+50)
8.	ROADWAY PLAN & PROFILE (STA. 96+50 - 102+00)
9.	ROADWAY PLAN & PROFILE (STA. 91+00 - 96+50)
10.	ROADWAY PLAN & PROFILE (STA. 85+00 - 91+00)
11.	ROADWAY PLAN & PROFILE (STA. 79+00 - 85+00)
12.	ROADWAY PLAN & PROFILE (STA. 73+25 - 79+00)
13.	ROADWAY PLAN & PROFILE (STA. 67+50 - 73+25)
14.	ROADWAY PLAN & PROFILE (STA. 61+50 - 67+50)
15.	ROADWAY PLAN & PROFILE (STA. 56+28 - 61+50)
16.	POND #1 LAYOUT AND DETAILS
17.	POND #2 LAYOUT AND DETAILS
18.	POND #3 LAYOUT AND DETAILS
19.	BOX CULVERT CONSTRUCTION DETAILS
20.	STORMWATER CONSTRUCTION DETAILS
21.	SEDIMENT & EROSION CONTROL / DEWATERING PLAN
22.	BEST MANAGEMENT PRACTICES AND SE&C DETAILS
23.	ROADWAY STRIPING PLAN (STA. 102+00 - 113+00)
24.	ROADWAY STRIPING PLAN (STA. 91+00 - 102+00)
25.	ROADWAY STRIPING PLAN (STA. 79+00 - 91+00)
26.	ROADWAY STRIPING PLAN (STA. 67+50 - 79+00)
27.	ROADWAY STRIPING PLAN (STA. 56+28 - 67+50)
28.	GRADING CROSS-SECTIONS (STA. 112+00 - 104+00)
29.	GRADING CROSS-SECTIONS (STA. 103+00 - 94+00)
30.	GRADING CROSS-SECTIONS (STA. 93+00 - 84+00)
31.	GRADING CROSS-SECTIONS (STA. 83+00 - 74+00)
32.	GRADING CROSS-SECTIONS (STA. 73+00 - 64+00)
33.	GRADING CROSS-SECTIONS (STA. 63+00 - 56+28)

SITE LOCATION MAP



SEC. 7&18, TWP. 35 S, RNG. 17 E.



SURVEY BY ZNS ENGINEERING
 201 5TH AVENUE DRIVE EAST
 BRADENTON, FL 34208
 941-748-8080

ADDENDUM 2, JULY 14, 2011

APPROVED BY:

SIA MOLLANAZAR, P.E.
 FLORIDA P.E. # 42903
 MANATEE COUNTY GOVERNMENT
 PUBLIC WORKS DEPARTMENT
 1022 26TH AVENUE EAST
 BRADENTON, FL 34208

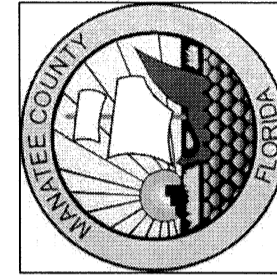
DATE 7-20-11

El Conquistador Parkway Extension Phase IIA Bid Form (Attached to Addendum 2)

LINE NO.	ITEM NO.	DESCRIPTION	EST. QTY	U/M
1.	101-1	Mobilization	1.00	LS
2.	102-1-1	Maintenance of Traffic	1.00	LS
3.	104-12	Turbidity Barrier, Staked	200.00	LF
4.	104-10-3	Sediment Barrier (Incl's Silt Fence and Synthetic Bales)	12,897.00	LF
5.	104-15	Soil Tracking Prevention Device	2.00	EA
6.	104-16	Rock Bags	600.00	EA
7.	110-1-1	Clearing & Grubbing	25.00	AC
8.	120-1	Regular Excavation (Includes Ponds)	59,117.00	CY
8A	120-1-MC	Excavation (Rock or Cemented Sand)	1,200.00	CY
10.	120-4	Excavation, Subsoil (Roadway)	2,215.00	CY
11.	120-6	Embankment (Regular)	29,364.00	CY
12.	160-4	12" Type B Stabilization (LBR 60)	26,287.00	SY
13.	285-706	8" Limerock, LBR 100, **	22,311.00	SY
13A	285-706	9" Graded Aggregate Base, LBR 120, **	22,311.00	SY
14.	331-2-MC	2" Type S-1 Asphalt Concrete FDOT 2000	2,454.00	TN
15.	337-7-MC	1" Asphaltic Friction Course (FC III) FDOT 2000	1,228.00	TN
16.	410-70-MC	Single Barrel - 4'x10' Box Culvert (Includes Wingwalls, Cutoff Walls and HeadWalls)	136.00	LF
17.	410-70-MC	Double Barrel - 4'x10' Box Culvert (Includes Wingwalls, Cutoff Walls and HeadWalls)	140.00	LF
18.	400-2-2	Class II Concrete (Endwalls) (includes reinforcing steels)	28.00	CY
19.	400-1-15	Class I Concrete (OCS Concrete Pads and Endw all for 30" PVC, includes reinforcing steels)	8.00	CY
20.	425-1-361	Inlets (Curb) (Type P-6) (<10')	30.00	EA
21.	425-1-549	Inlet (Dt Bot) (Type D Modified) (<10') Outfall Control Structure	3.00	EA
22.	430-174-101	Pipe Storm Sewer Culv (PVC C900 DR-18, or A2000)(24")	166.00	LF
23.	430-174-102	Pipe Storm Sewer Culv (PVC C900 DR-18, or A2000)(30")	222.00	LF
24.	430-175-102-MC	Pipe Storm Sewer Culv (ACCMP)(36")	71.00	LF
25.	430-175-103-MC	Pipe Storm Sewer Culv (ACCMP)(42")	44.00	LF
26.	430-175-103-MC	Pipe Storm Sewer Culv (ACCMP)(48")	384.00	LF
27.	430-175-104	Pipe Storm Sewer Culv (RCP)(60")	388.00	LF
28.	430-175-104-MC	Pipe Storm Sewer Culv (ACCMP)(60")	49.00	LF
29.	430-175-201	Pipe Storm Sewer Culv (ERCP) (12"x18")	1,185.00	LF
30.	430-175-201	Pipe Storm Sewer Culv (ERCP) (14"x23")	680.00	LF
31.	430-175-203-MC	Pipe Storm Sewer Culv (ACCMP)(42")(1/2 Section Riser) 6' Height	2.00	EA
32.	430-175-203-MC	Pipe Storm Sewer Culv (ACCMP)(48")(1/2 Section Riser) 6' Height	1.00	EA
33.	430-175-204-MC	Pipe Storm Sewer Culv (ACCMP) (54") (1/2 Section Riser) 6' Height	9.00	EA
34.	430-175-205-MC	Pipe Storm Sewer Culv (ACCMP)(72")(1/2 Section Riser) 6' Height	1.00	EA
35.	430-982-625	Mitered End Section, Optional - Elliptical/14"x23"	15.00	EA
36.	430-984-129	Mitered End Section, Optional - Round/24"	8.00	EA
37.	430-984-133	Mitered End Section, Optional - Round/30"	7.00	EA
38.	515-2-301	Pedestrian/Bicycle Railing (Aluminum)	237.00	LF
39.	520-1-8	Type AB (Special) Curb & Gutter	1,050.00	LF
40.	520-1-10	Type F Curb & Gutter	11,296.00	LF
41.	522-1	4" Concrete Sidewalk	6,276.00	SY
42.	524-MC	Concrete Ditch Pavement - Non-Reinforced - Fabric Formed Concrete Mat - 8" Filter Points	582.00	SY
43.	530-3-4	Rip-Rap (Rubble) (Ditch Lining)	176.00	TN
44.	908-104-1	Contractor's Sediment and Erosion Control Incl's Dewatering/Sump/Pipe/Spreader, Swale, etc.	1.00	LS
45.	700-20-11	Sign Single Post, <12 S.F.	31.00	EA
46.	706-3	Reflective Pavement Marker, All Colors	326.00	EA
47.	710-12-290	Reflective Paint (Island Nose) (Yellow)	242.00	SF
48.	711-11-160	Pavement Messages, Thermoplastic (Bike Lane Markings)	19.00	EA
49.	711-11-170	Directional Arrows, Thermoplastic	19.00	EA
50.	711-11-251	Skip Traffic Stripe, 6'-10' Yellow, Thermoplastic, 6"	340.00	LF
51.	711-11-222	Solid Traffic Stripe, 8" Yellow, Thermoplastic	785.00	LF
52.	711-11-224	Solid Traffic Stripe, 18" Yellow, Thermoplastic	531.00	LF
53.	711-11-111	Solid Traffic Stripe, 6" White, Thermoplastic	11,251.00	LF
54.	711-11-221	Solid Traffic Stripe, 6" Yellow, Thermoplastic	10,054.00	LF
54A	711-11-123	Solid Traffic Stripe, 12" White, Thermoplastic	45.00	LF
54B	711-11-125	Solid Traffic Stripe, 24" White, Thermoplastic (Stop Bar)	5.00	LF
55	715-2-11	Lighting Conduit (Electrical, 4" PVC DR 18, Color white)	233	LF
56.	570-1-1	Performance Turf (Hydroseed)	12,551.00	SY
57.	570-1-2	Performance Turf (Bahia Sod)	48,896.00	SY
58.		3" PVC casing (purple, reclaim)	168.00	LF
59.		12" Ductile Iron Pipe (reclaim water)	98.00	LF
60.		12" Caps/Plugs	2.00	EA
61.		Joint Restraints	4.00	EA

** Contractor shall bid either Item 13, lime rock only or item 13A, graded aggregate base only

MANATEE COUNTY
PUBLIC WORKS DEPARTMENT
1022 26TH AVE. E.
BRADENTON, FL 34208



PROJECT NO. 07410	DRAWN BY J.M.W.
CHECKED BY J.M.P.	DATE 22 FEB 2007
REVISIONS	DATE
ADDENDUM 2	7/14/11

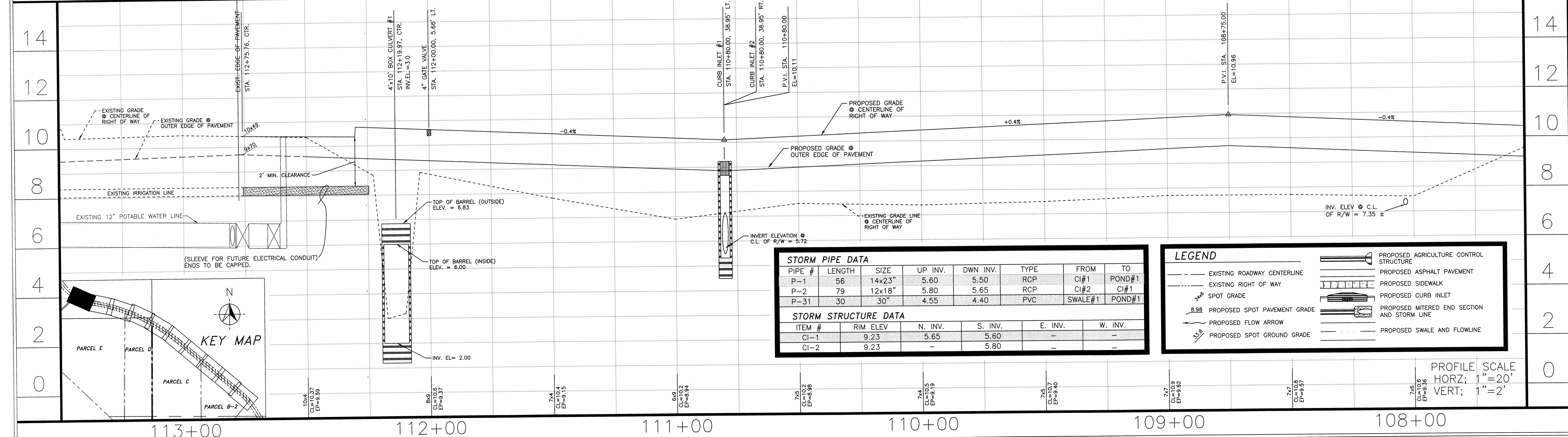
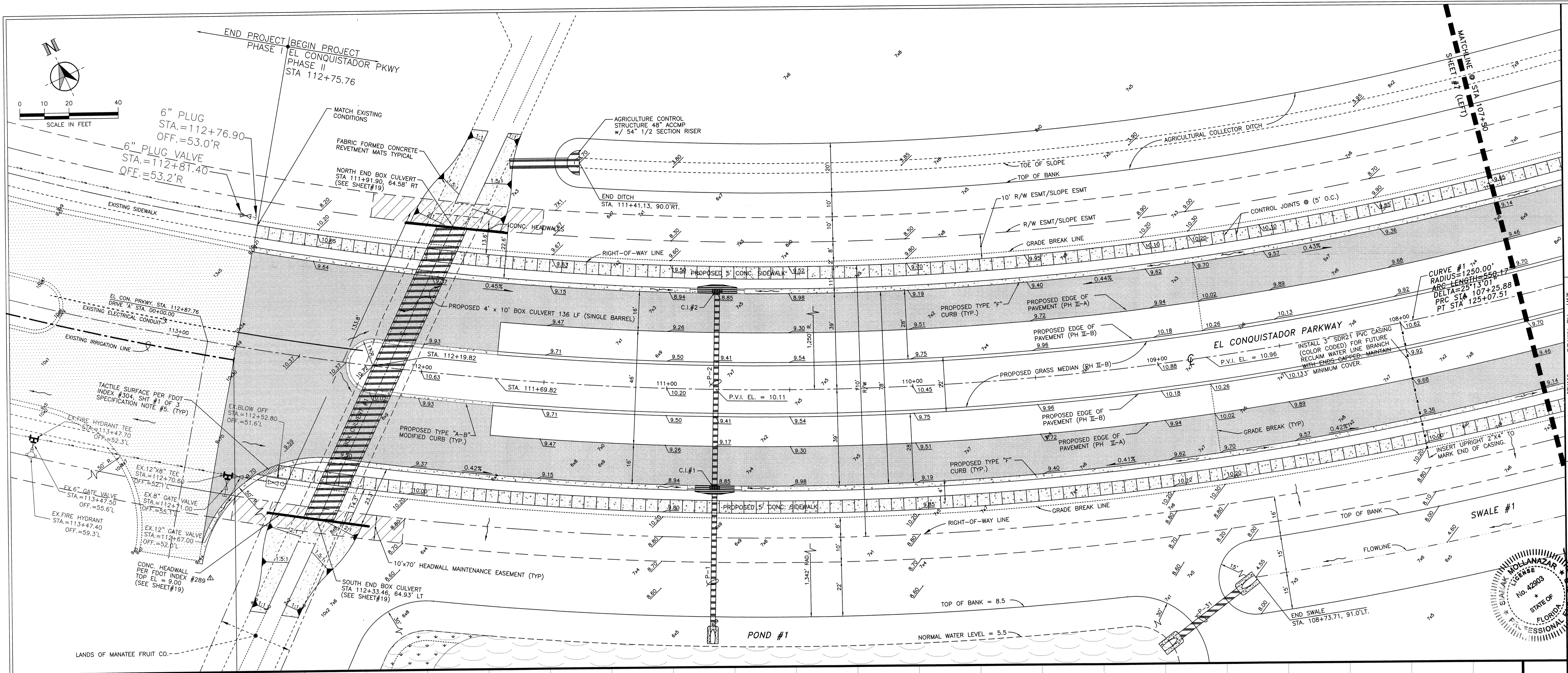


SEAL
MOLLANAZAR, P.E.
FLORIDA P.E. # 42983
MANATEE COUNTY GOVERNMENT
PUBLIC WORKS DEPARTMENT
1022 26TH AVENUE EAST
BRADENTON, FL 34208
DATE 7-20-11

**EL CONQUISTADOR
PARKWAY EXTENSION
PHASE II**

QUANTITIES

SHEET
1A
OF



MANATEE COUNTY
PUBLIC WORKS DEPARTMENT
1022 26TH AVE. E.
BRADENTON, FL 34208

EL CONQUISTADOR PARKWAY EXTENSION PHASE II

ROADWAY PLAN & PROFILE
STA 107+50 - STA 113+00

SHEET 6 OF 6

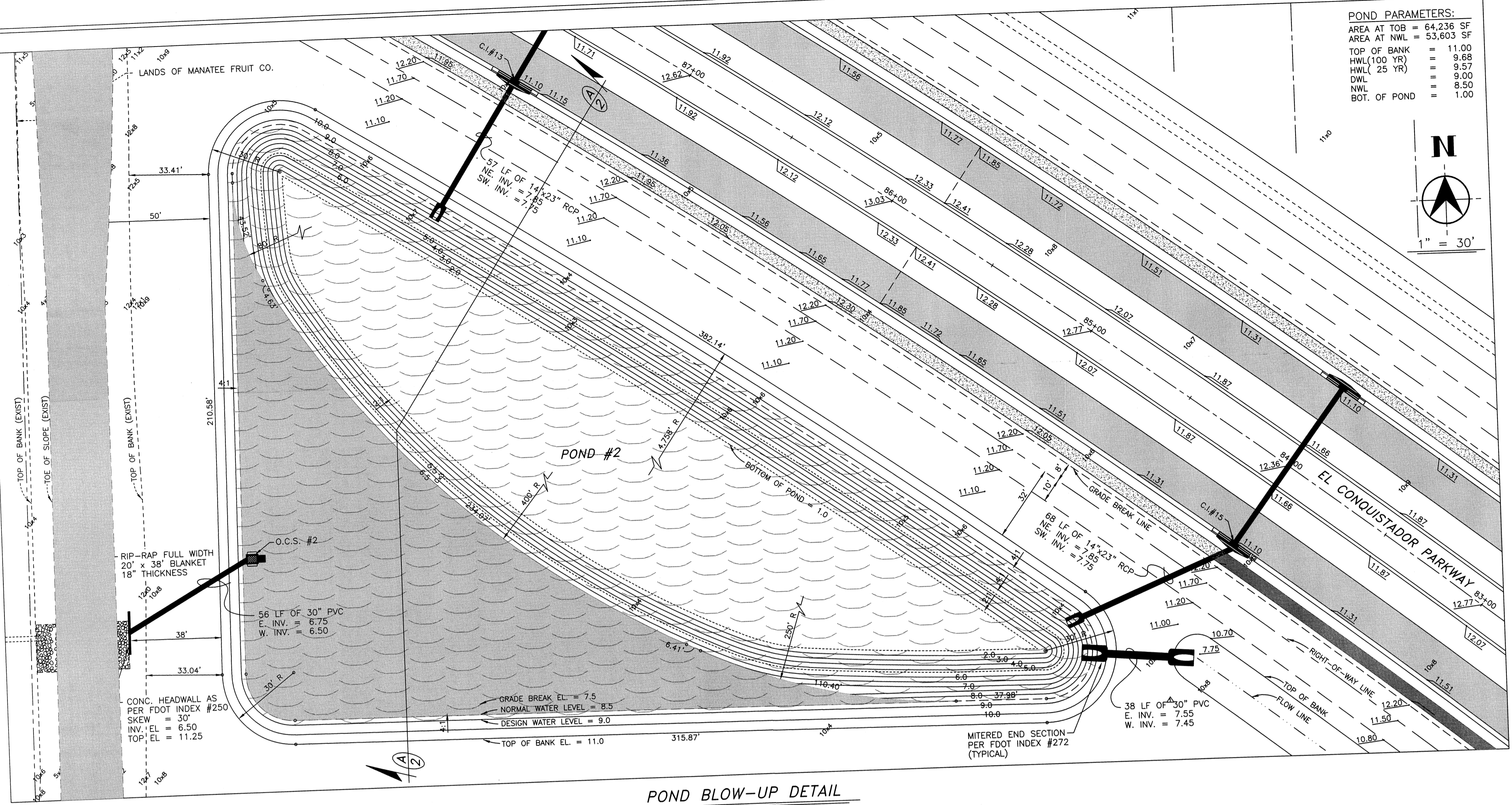
DATE: 7/14/11

PROJECT NO.: 2007-0002
DRAWN BY: JAW
CHECKED BY: JAW
DATE: 23 FEB 2007

APPROVED BY: [Signature]

STATE OF FLORIDA
PROFESSIONAL ENGINEER
SIAJAL MOLLANAZAR
No. 42903

7-20-11



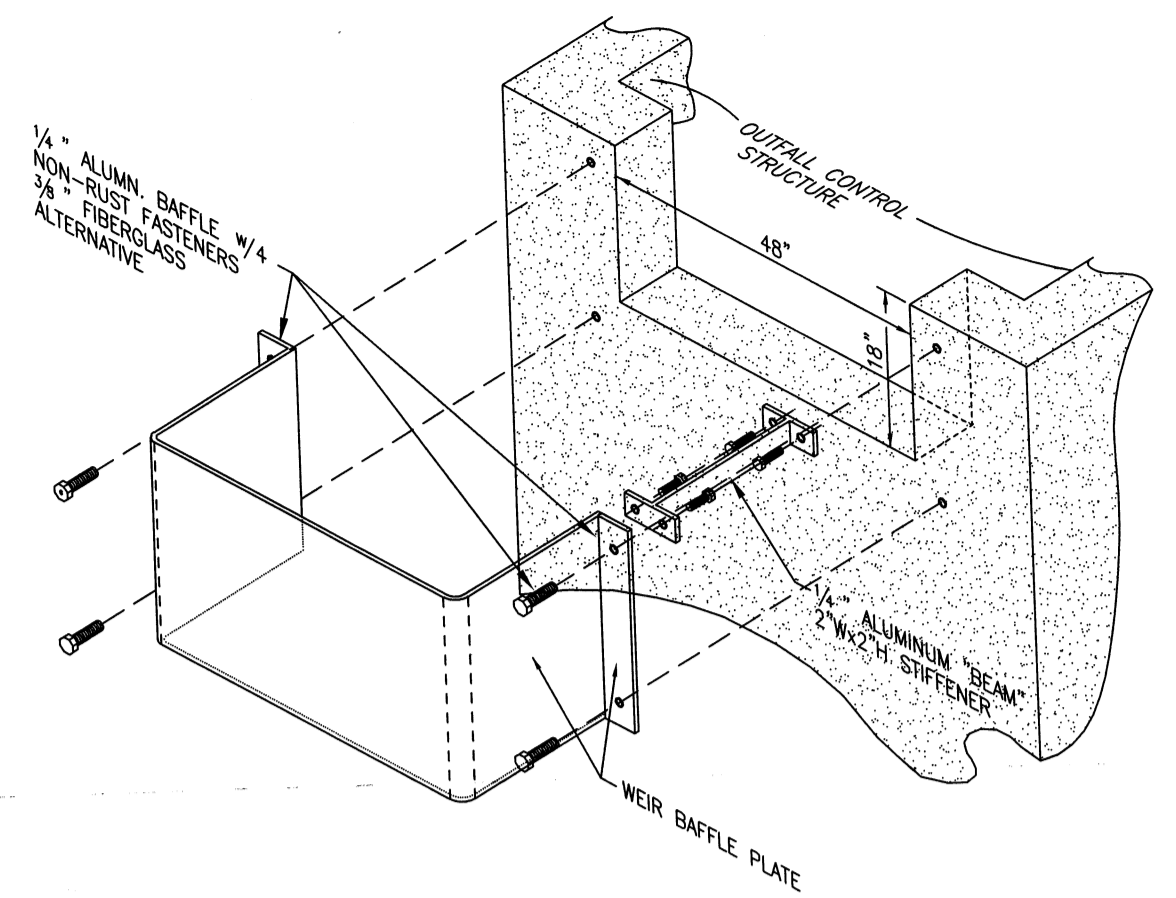
POND PARAMETERS:

AREA AT TOB	= 64,236 SF
AREA AT NWL	= 53,603 SF
TOP OF BANK	= 11.00
H.W.L (100 YR)	= 9.88
H.W.L (25 YR)	= 9.57
D.W.L	= 9.00
N.W.L	= 8.50
BOT. OF POND	= 1.00

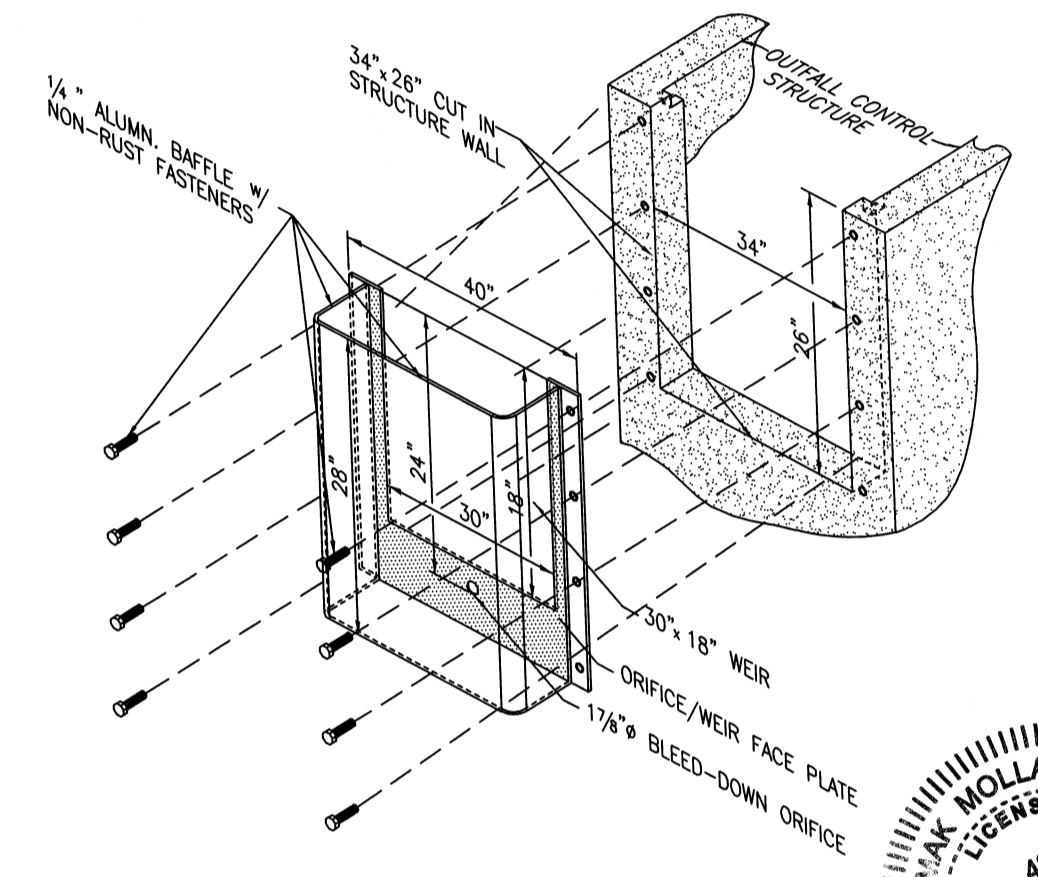
RIP-RAP TO BE BROKEN CONCRETE OR STONE, HAVE A SPEC. GRAV. OF 1.3 & A BLANKET THICKNESS OF 1.5 FT. D-2 FILTER FABRIC TO UTILIZED AS PER F.D.O.T. INDEX No. 159

GRADATIONS:

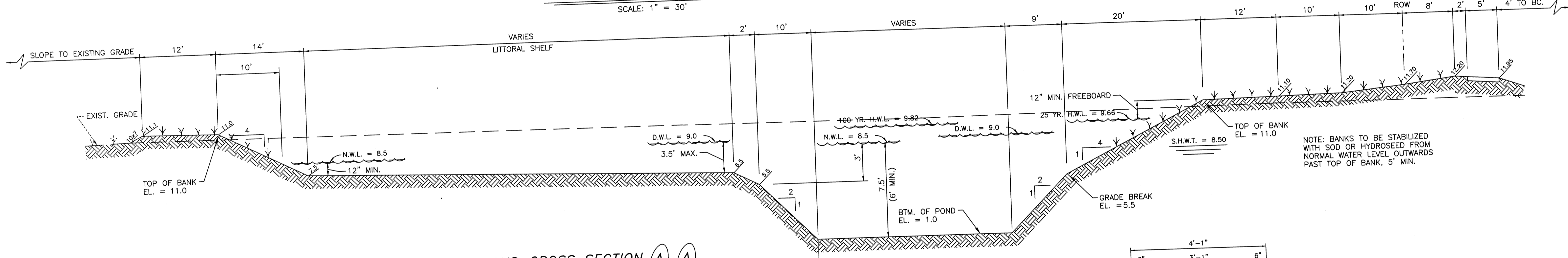
W(min)	= 4 LBS
W(S)	= 30 LBS
W(max)	= 75 LBS



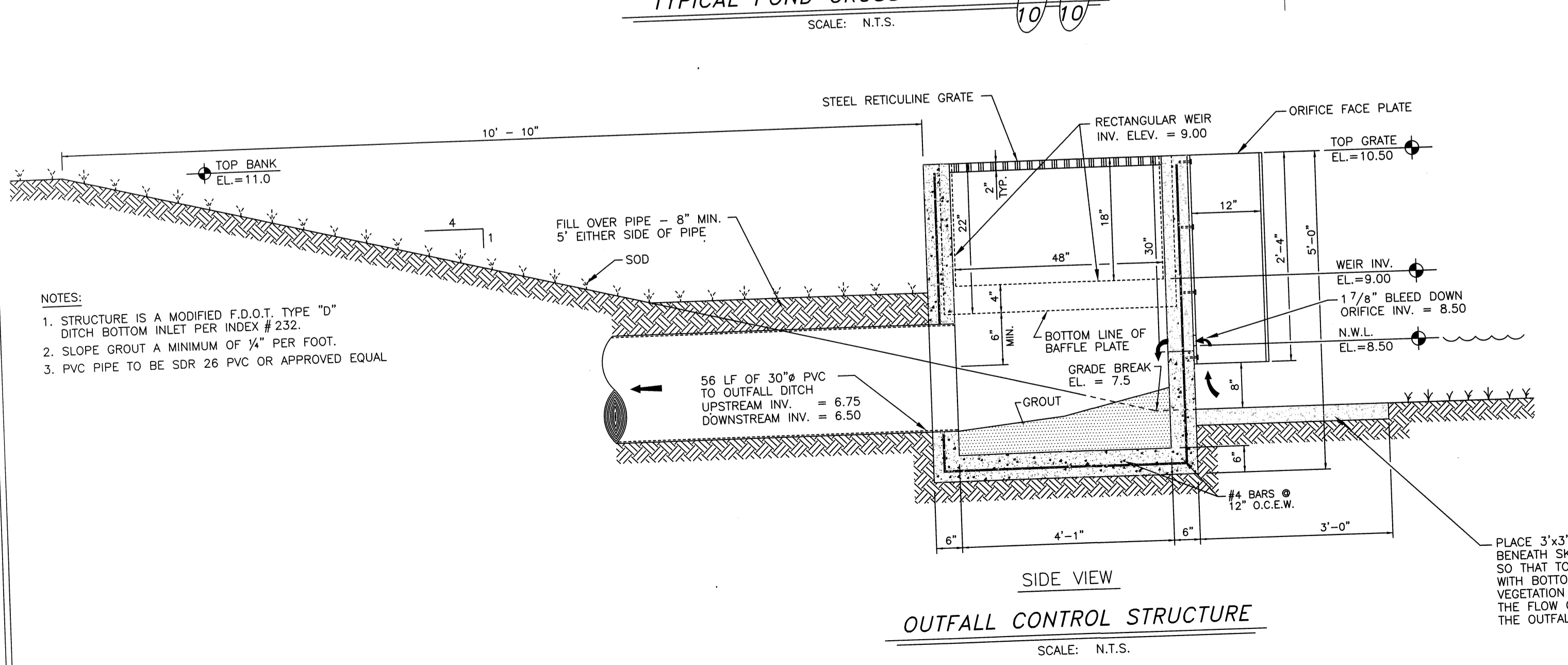
WEIR BAFFLE PLATE ISOMETRIC
SCALE: N.T.S.



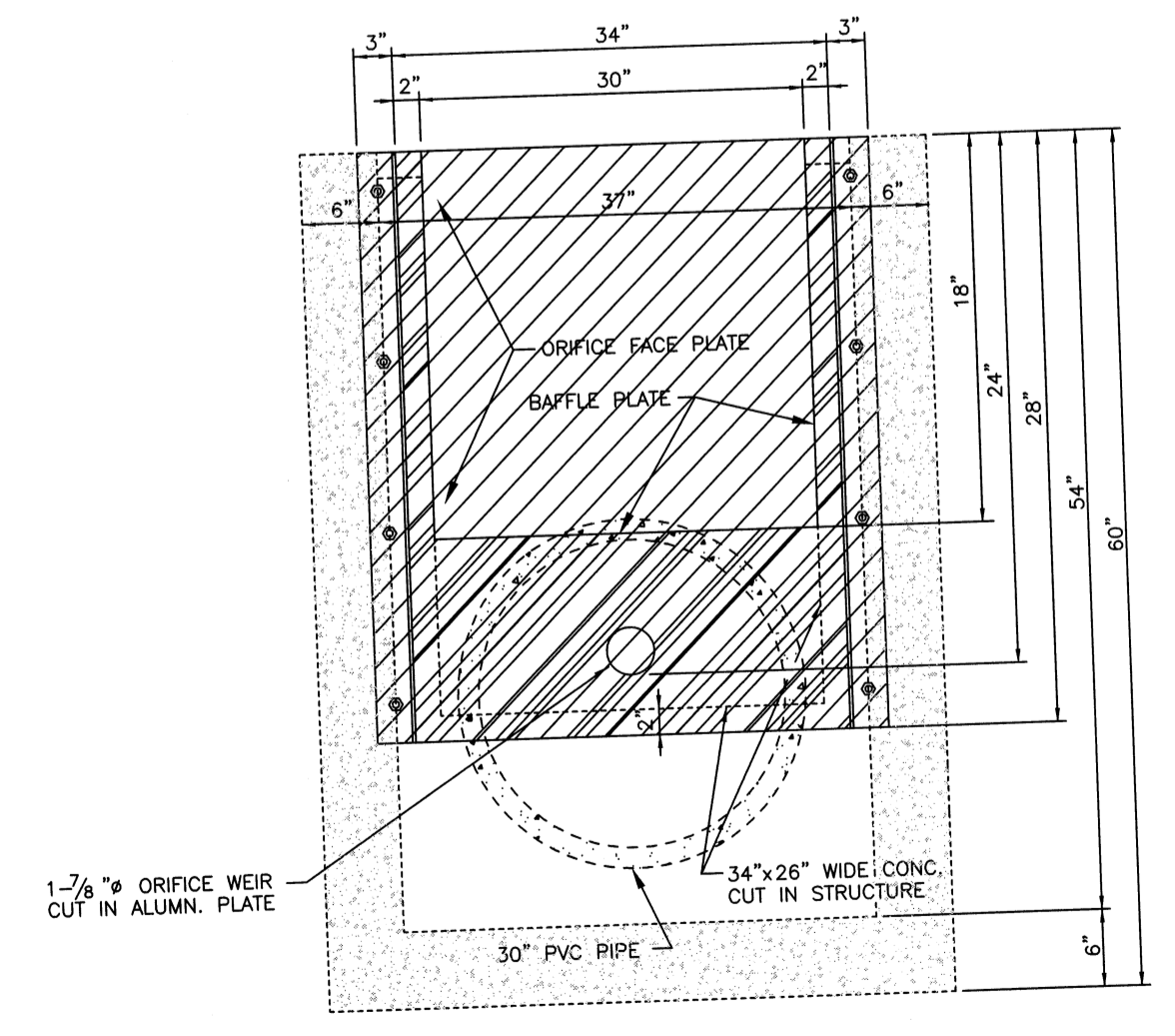
BLEEDDOWN ORIFICE PLATE ISOMETRIC
SCALE: N.T.S.



TYPICAL POND CROSS SECTION (A-A)
SCALE: N.T.S.



OUTFALL CONTROL STRUCTURE
SCALE: N.T.S.



SKIMMER/FACE PLATE BLOW-UP
SCALE: N.T.S. (FRONT VIEW)

PROJECT NO.	074110	DRAWN BY	J.M.P.	DATE	28 FEB 2007
CHECKED BY	J.M.P.	DATE			
REVISIONS		DATE			
1		7/16/11			
2					

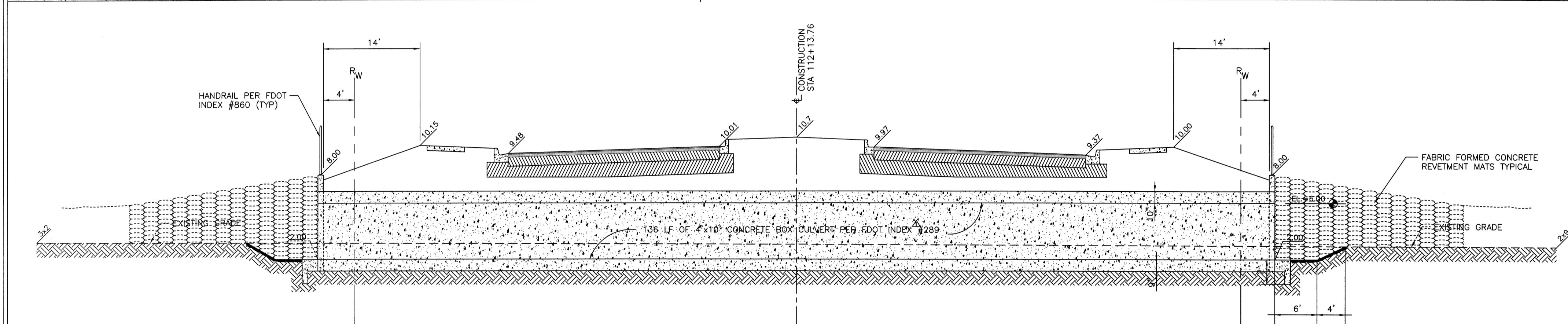
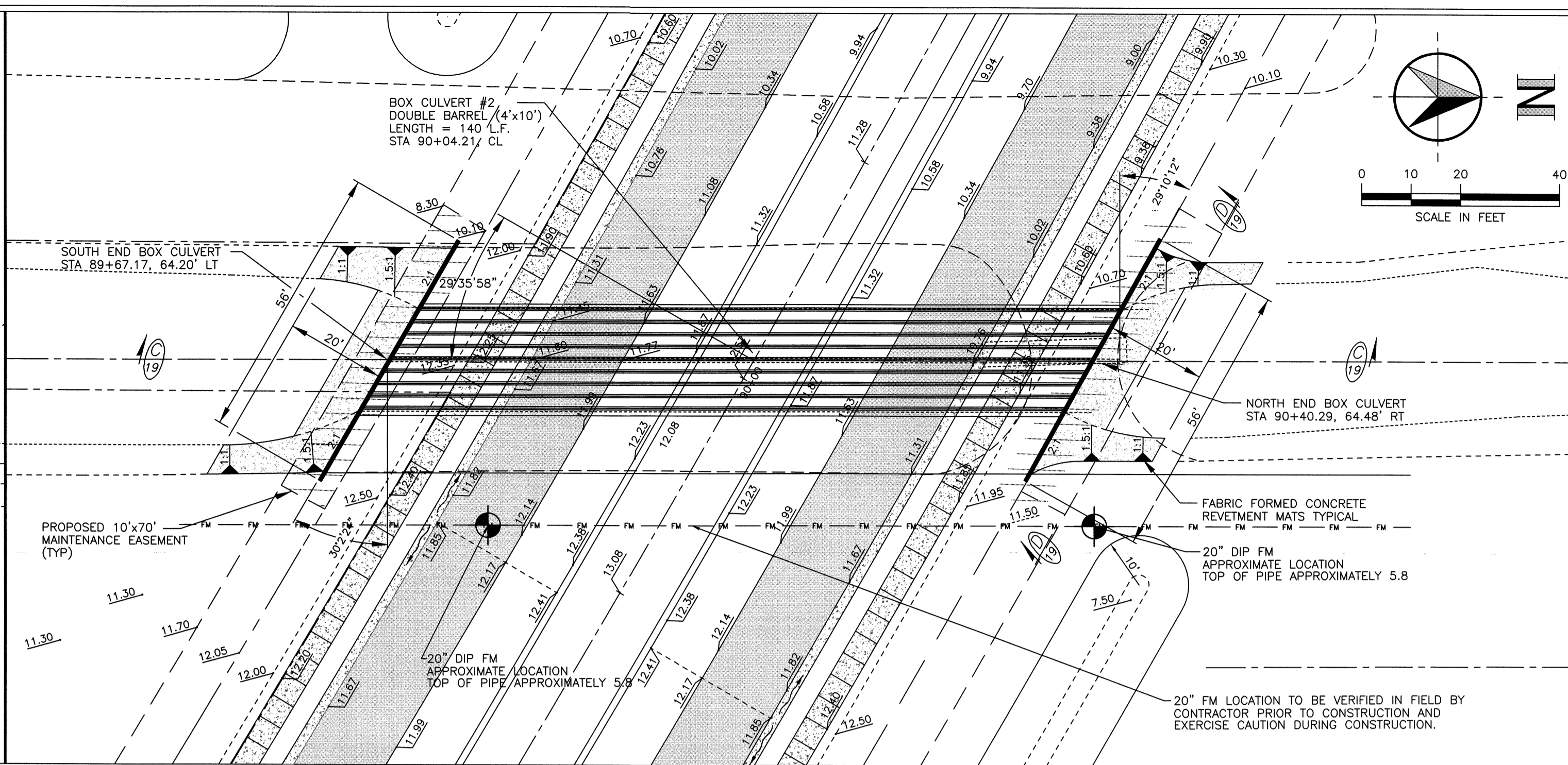
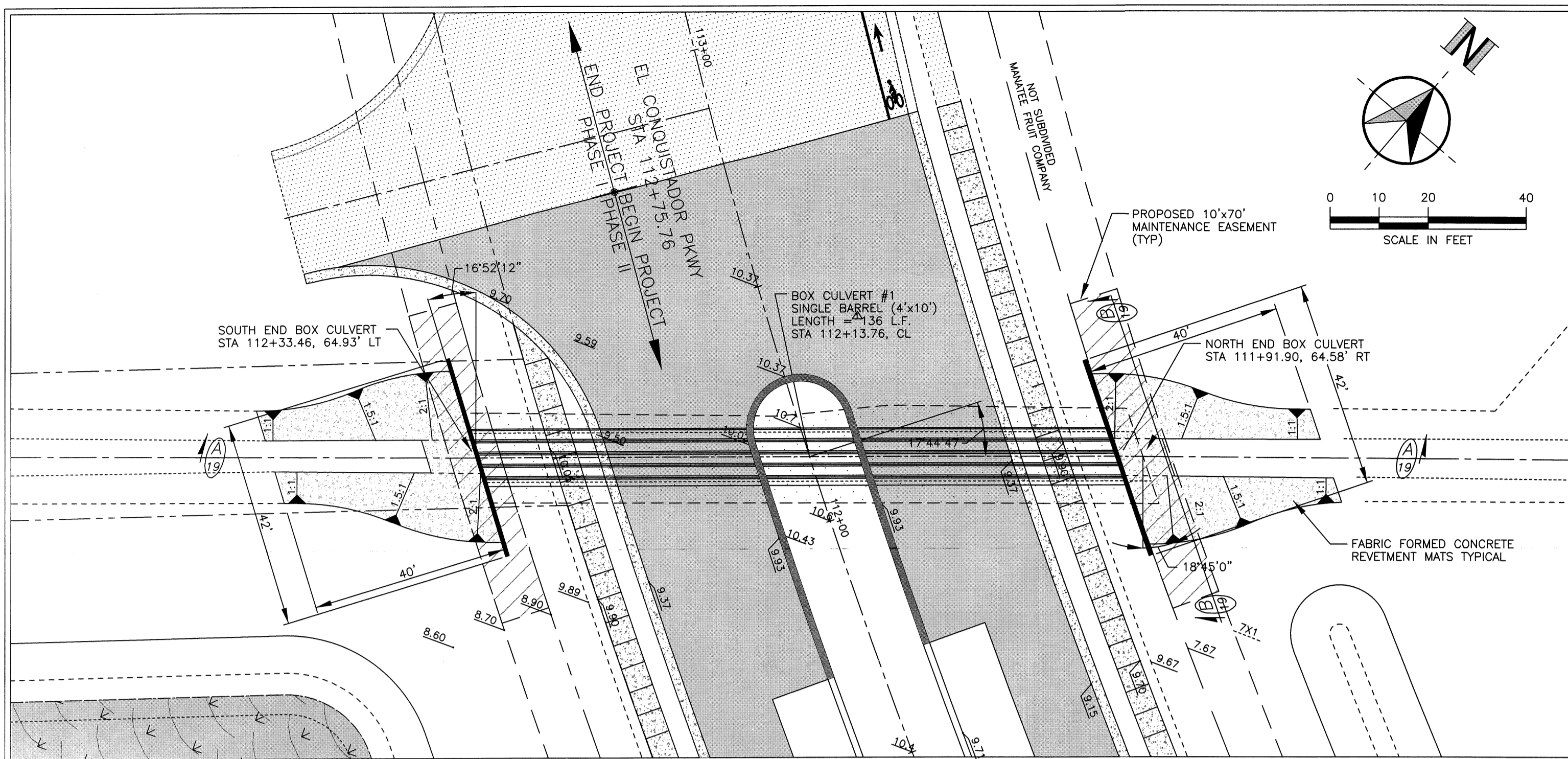
APPROVED BY: **SIYAMAK MOLLANAZAR**
FLORIDA PROFESSIONAL ENGINEER
No. 42903
STATE OF FLORIDA

MANATEE COUNTY GOVERNMENT
PUBLIC WORKS DEPARTMENT
1022 26TH AVENUE EAST
BRADENTON, FL 34208

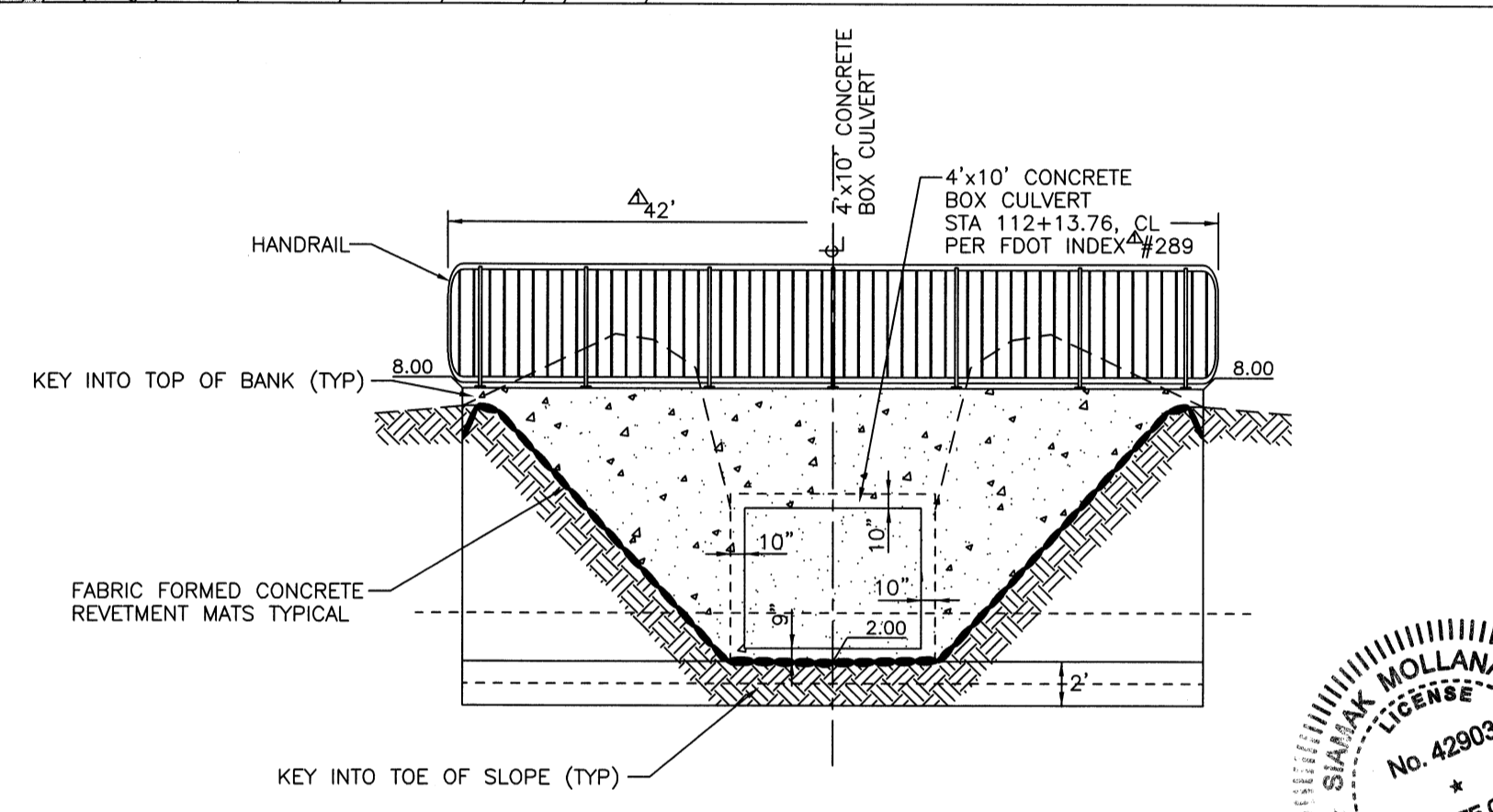
EL CONQUISTADOR PARKWAY EXTENSION PHASE II

POND #2 LAYOUT AND DETAILS

S:\PWD_Engineering_Share\Highway Engineering\PROJECTS\El Conquistador Parkway Extension PH II\CAD\EL-CON-17.dwg, Model, 7/14/2011 10:27:03 AM

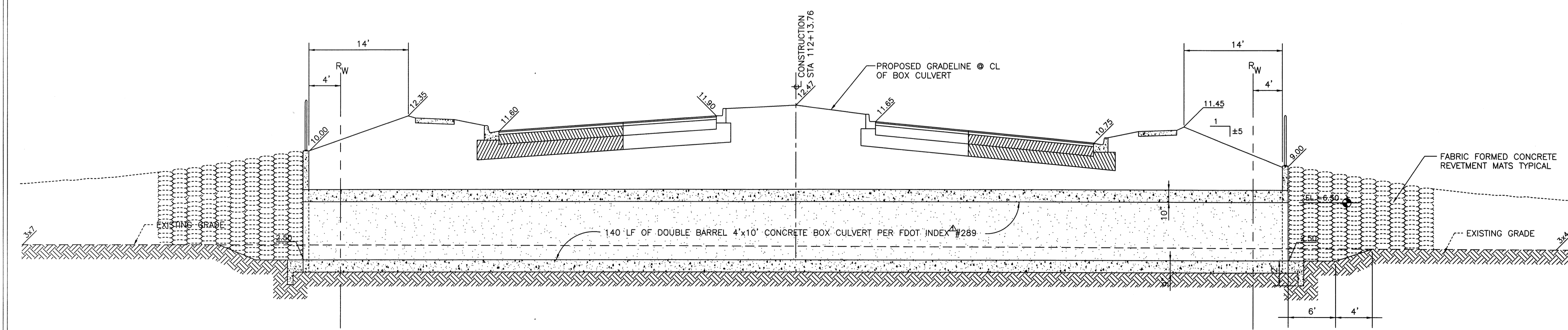


SECTION A/A
NTS 19/19

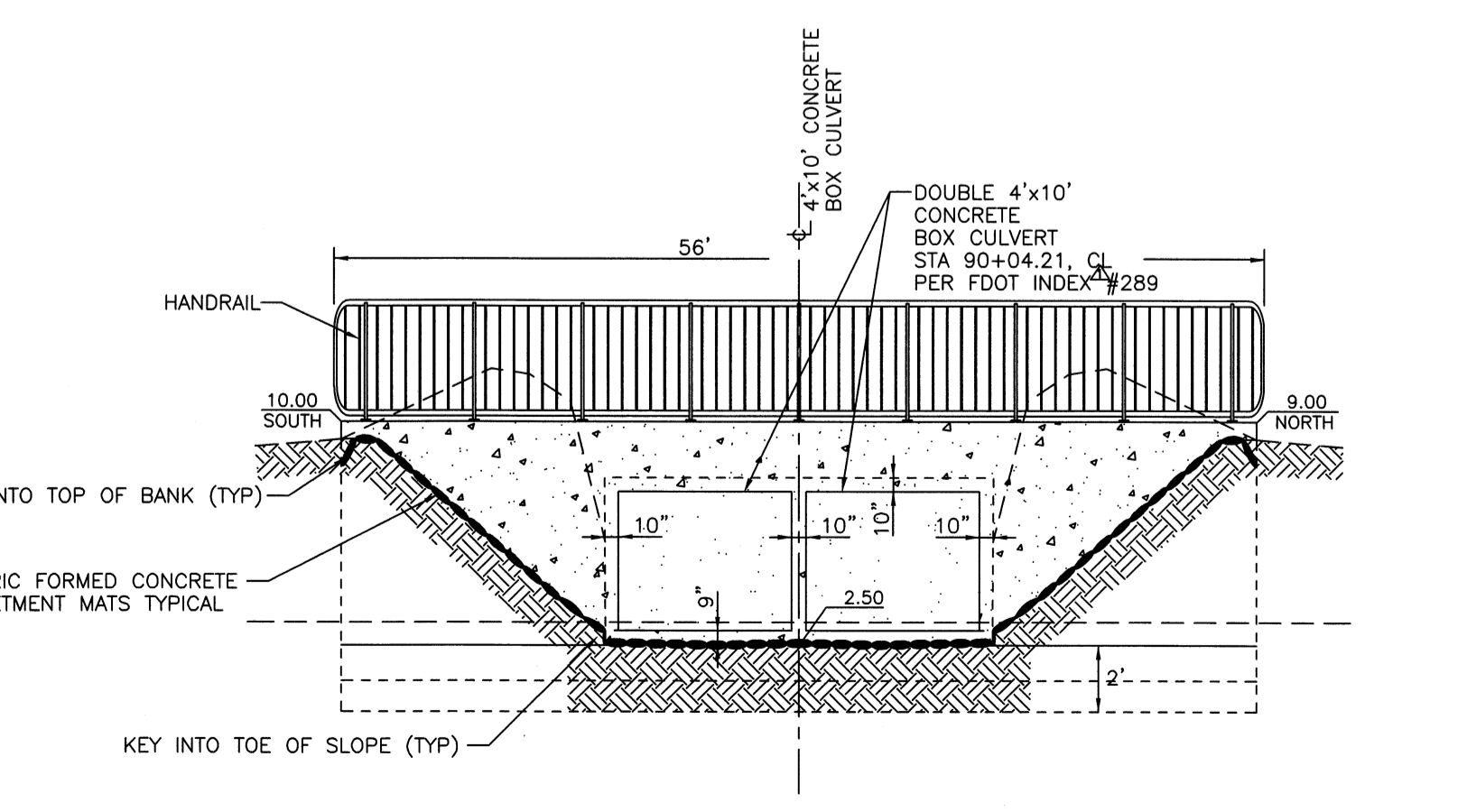


SECTION B/B
NTS 19/19

CONTRACTOR SHALL SUBMIT SHOP DRAWING DETAILS OF BOX CULVERTS TO ENGINEER OF RECORD FOR APPROVAL



SECTION C/C
NTS 19/19



SECTION D/D
NTS 19/19

MANATEE COUNTY
PUBLIC WORKS DEPARTMENT
1022 26TH AVE. E.
BRADENTON, FL 34208

PROJECT NO. 0788018
DRAWN BY: JEP
CHECKED BY: JEP
DATE: 28 FEB 2007

REVISIONS
NO. 2
DATE: 7/14/11
BY: JEP

APPROVED BY:

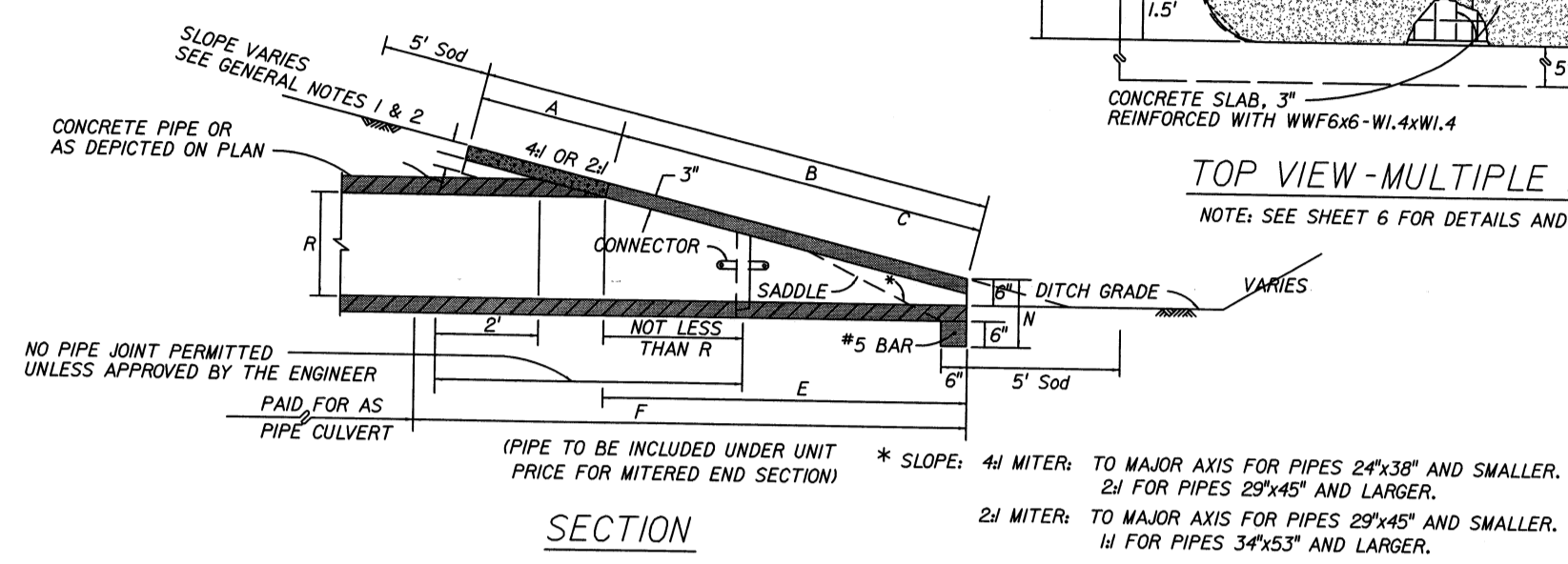
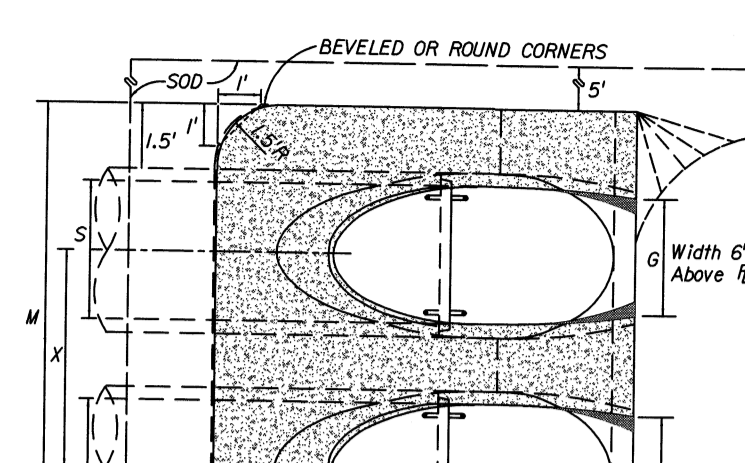
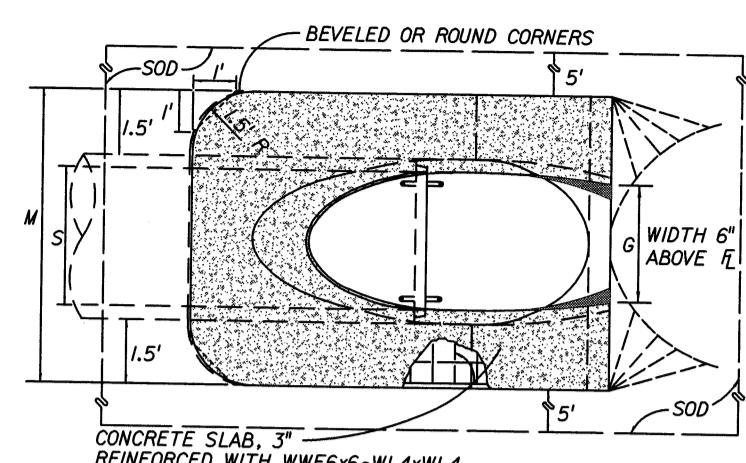
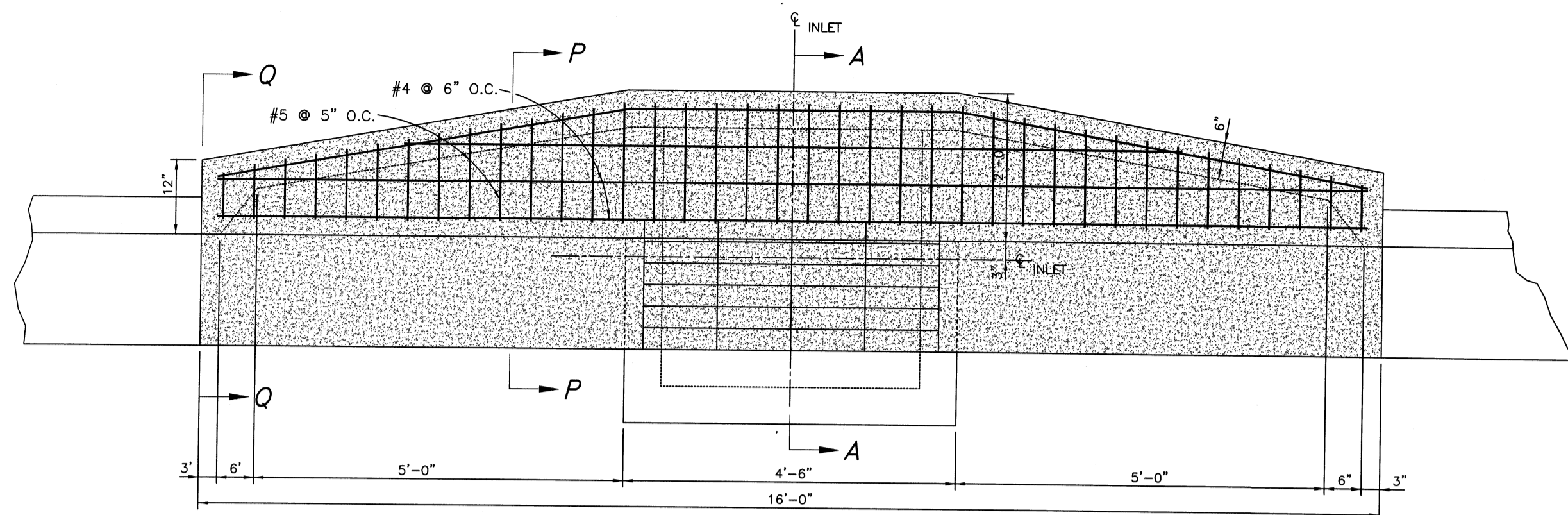
S. MOLLANA, P.E.
FLORIDA P.E. # 42903
MANATEE COUNTY GOVERNMENT
PUBLIC WORKS DEPARTMENT
1022 26TH AVE. EAST
BRADENTON, FL 34208

DATE: 7-29-11

**EL CONQUISTADOR
PARKWAY EXTENSION
PHASE II**

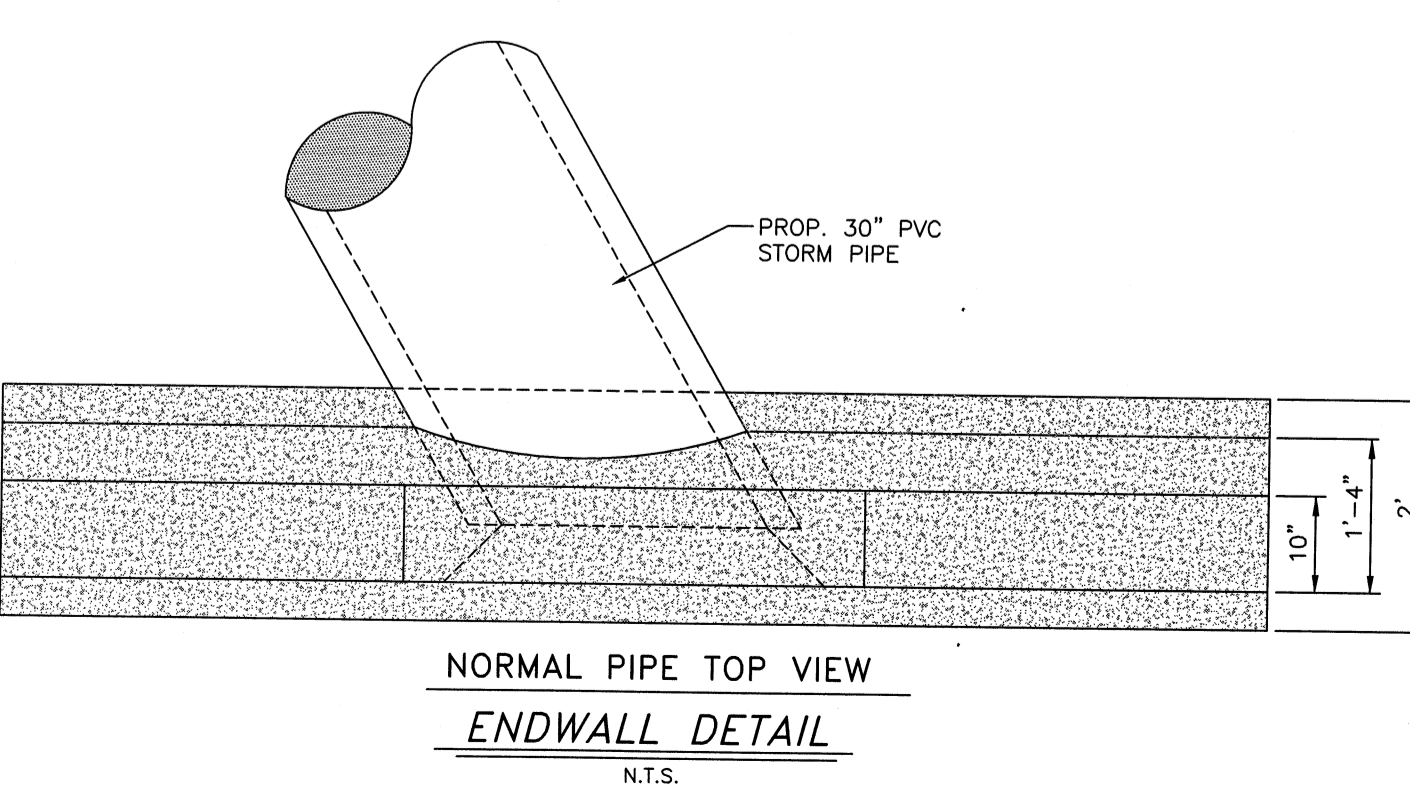
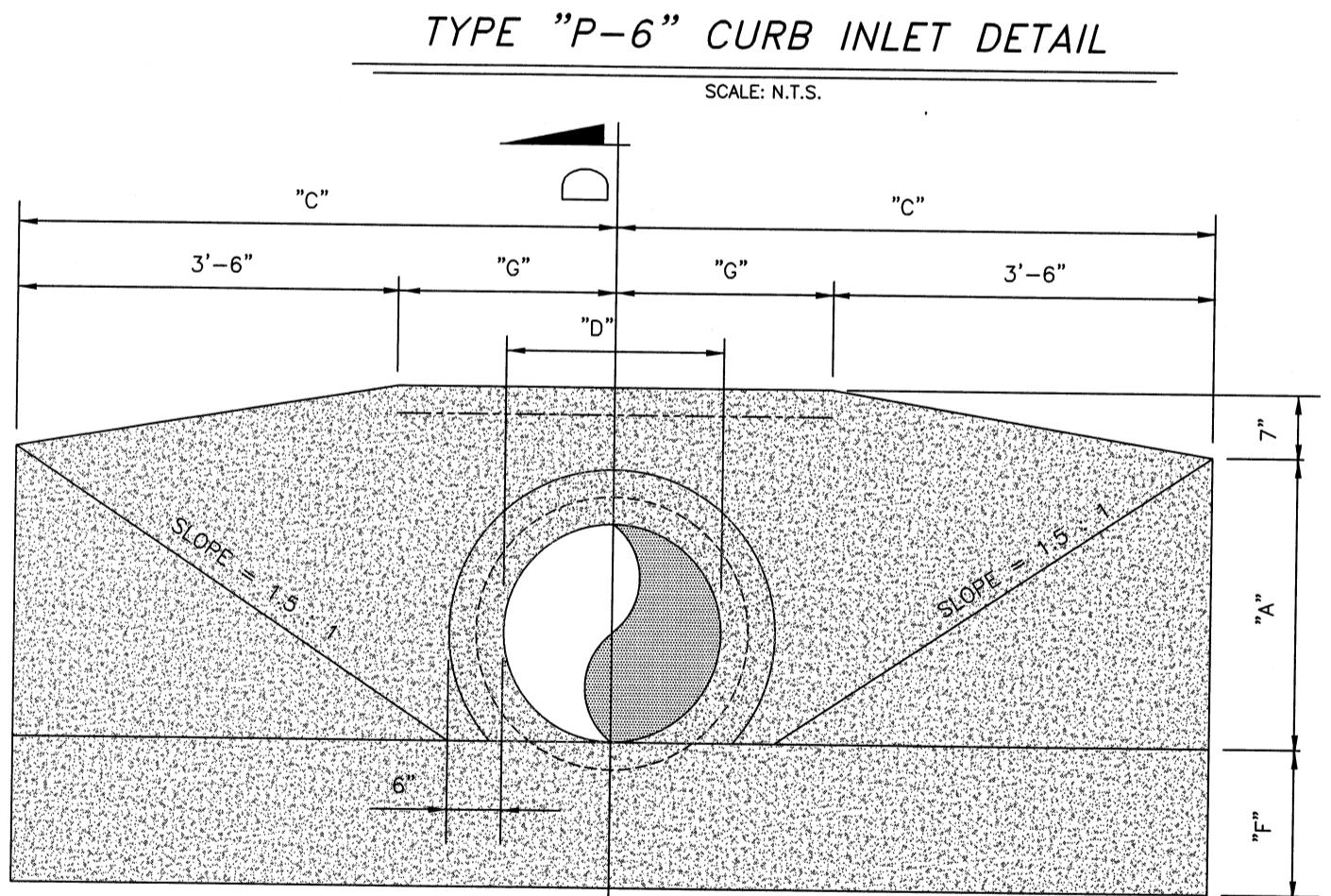
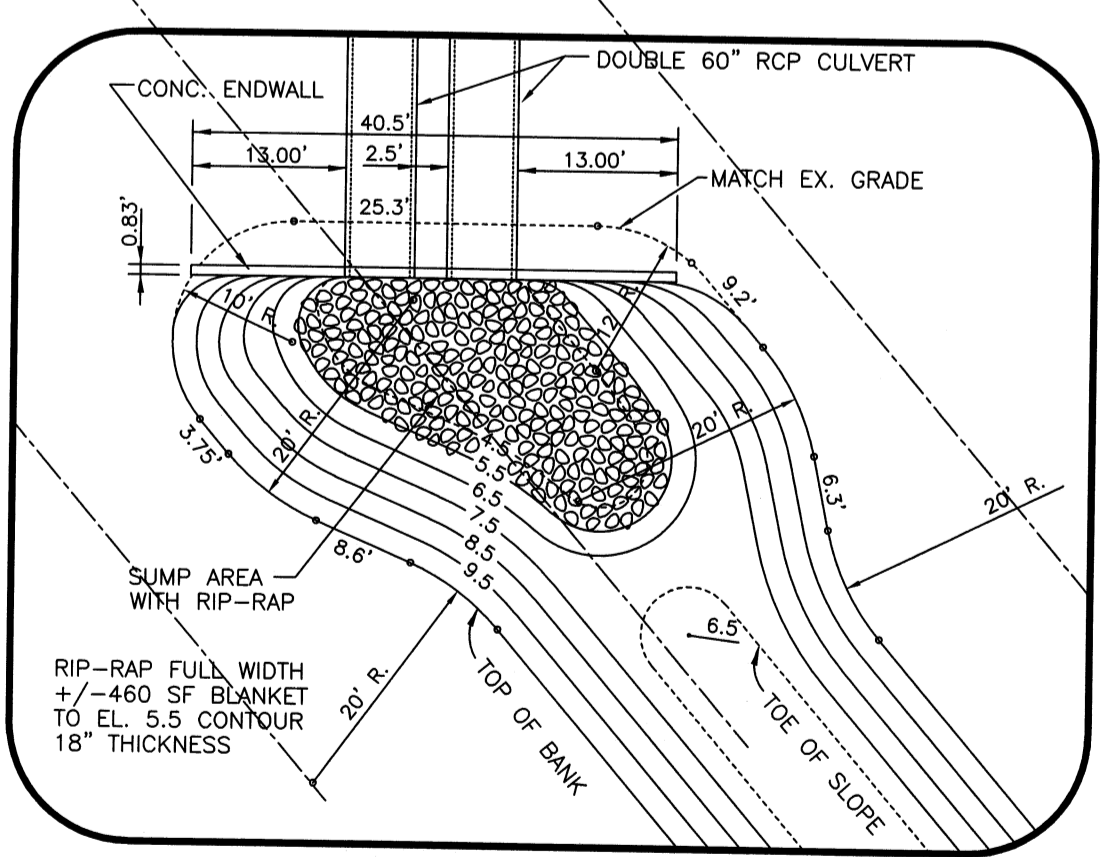
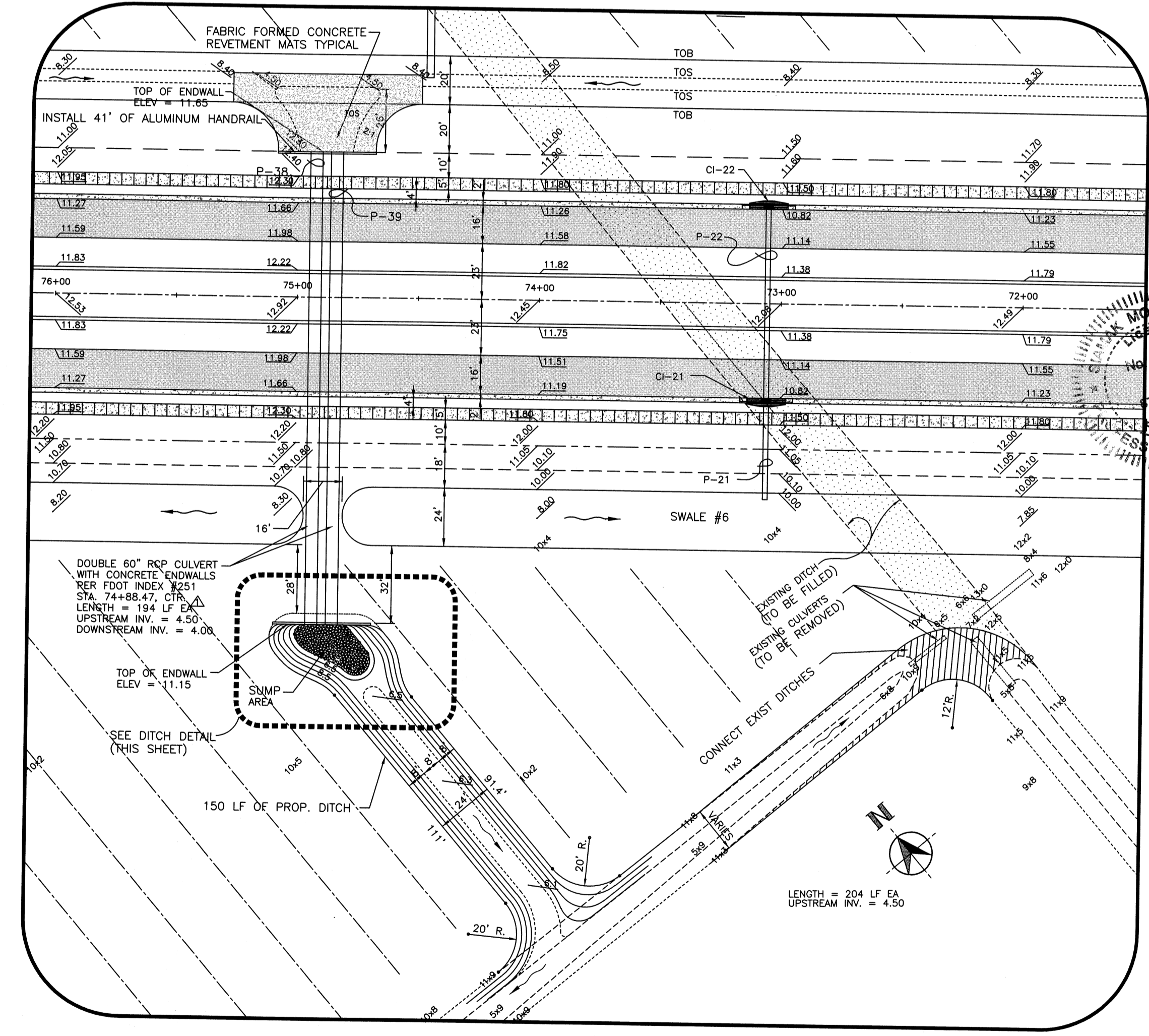
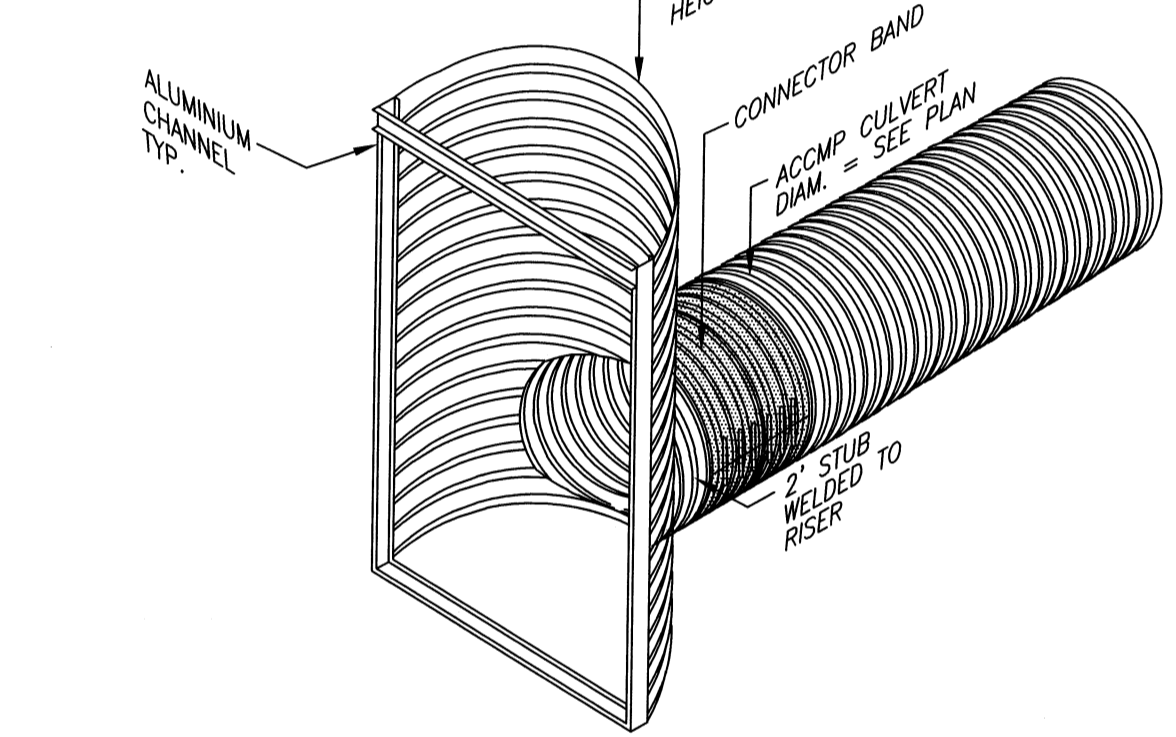
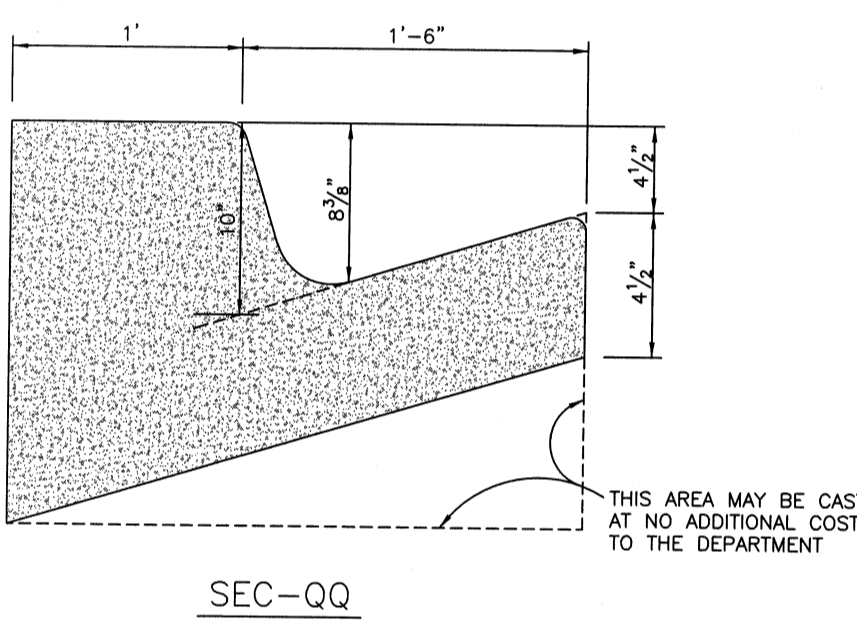
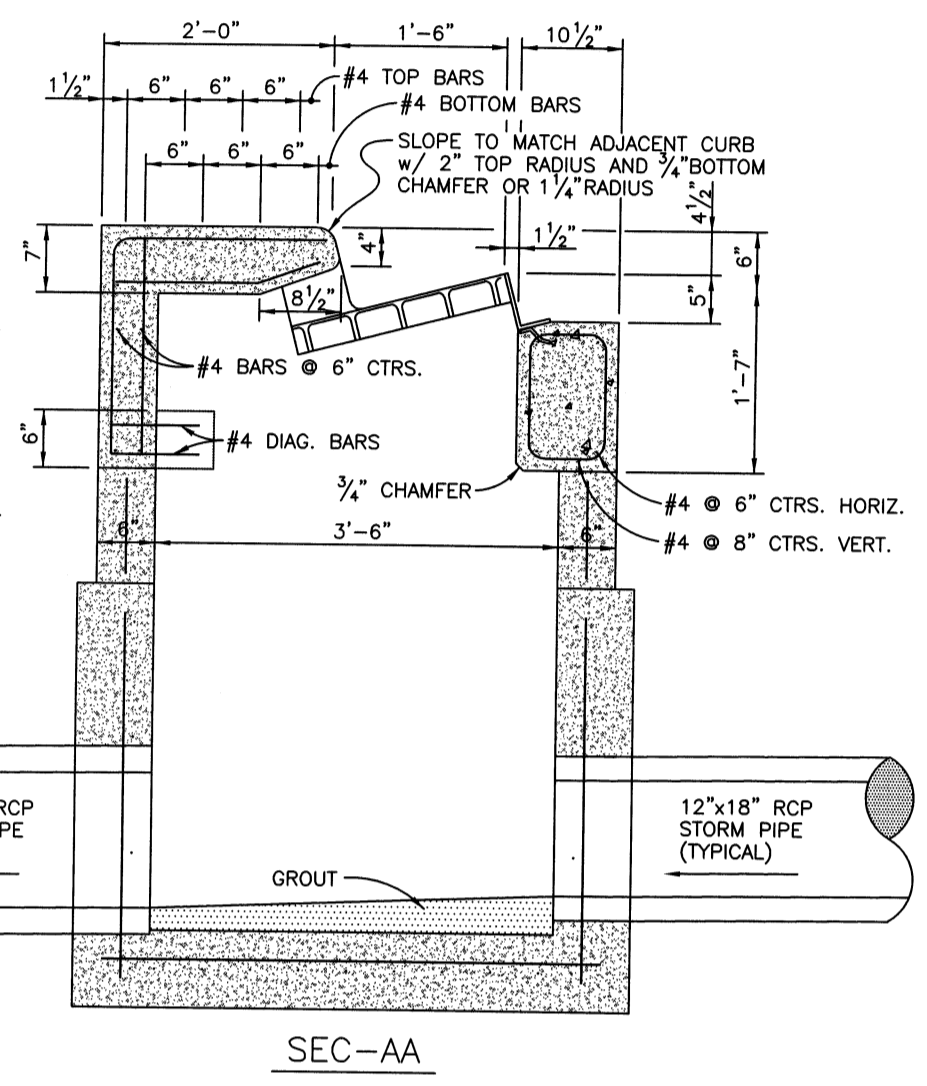
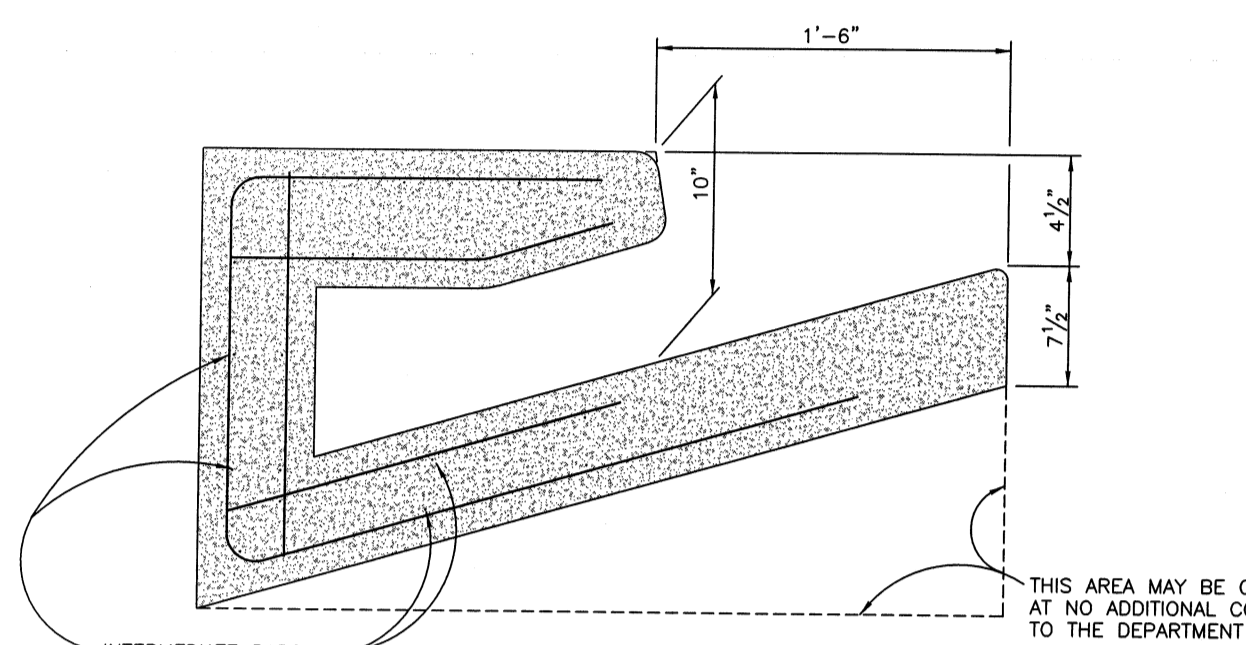
**BOX CULVERT
CONSTRUCTION
DETAILS**

S:\PWD_Engineering_Share\Highway_Engineering\PROJECTS\El Conquistador Parkway Extension\PH 11\CAD\EL-CON-19.dwg, Mode: 7/14/2011 10:02:14 AM



ELLIPTICAL PIPE DIMENSIONS & QUANTITIES

Rise R	Span S	X	A	B	C	E	F	G	M			
									Single Pipe	Double Pipe	Triple Pipe	
12"	18"	2'-10"	1.97'	1.62'	3.59'	1.56'	4'	1.90'	4.92'	7.75'	10.58'	13.42'
14"	23"	3'-4"	2.01'	1.99'	4.00'	1.69'	5'	1.90'	5.38'	8.77'	12.04'	15.38'
16"	30"	4'-0"	2.11'	2.26'	5.03'	2.73'	6'	2.37'	6.04'	10.04'	14.04'	18.38'
24"	36"	5'-0"	2.20'	3.85'	6.05'	3.56'	7'	2.85'	6.79'	11.79'	16.79'	21.79'
28"	42"	5'-11"	2.34'	4.79'	7.13'	4.39'	8'	3.37'	8.25'	15.25'	22.25'	29.25'
34"	53"	7'-0"	2.43'	5.72'	8.15'	5.23'	9'	3.89'	9.50'	17.42'	25.25'	33.25'
36"	60"	7'-10"	2.52'	6.46'	8.98'	5.89'	9'	3.95'	9.52'	16.75'	24.58'	32.42'
43"	68"	8'-11"	2.62'	7.39'	10.01'	6.73'	10'	4.28'	9.67'	18.58'	27.50'	36.42'
48"	76"	9'-11"	2.71'	8.33'	11.04'	7.56'	11'	4.59'	10.42'	20.33'	30.25'	40.71'
53"	83"	10'-6"	2.80'	9.26'	12.06'	8.39'	12'	4.77'	11.08'	21.75'	32.42'	43.08'
58"	91"	11'-6"	2.90'	10.19'	13.09'	9.23'	13'	5.01'	11.83'	23.50'	35.17'	46.83'



MANATEE COUNTY
PUBLIC WORKS DEPARTMENT
1022 26TH AVE. E.
BRADENTON, FL 34208

PROJECT NO. DTR302
DRAWN BY J.M.W.
CHECKED BY J.M.P.
DATE 28 FEB 2006

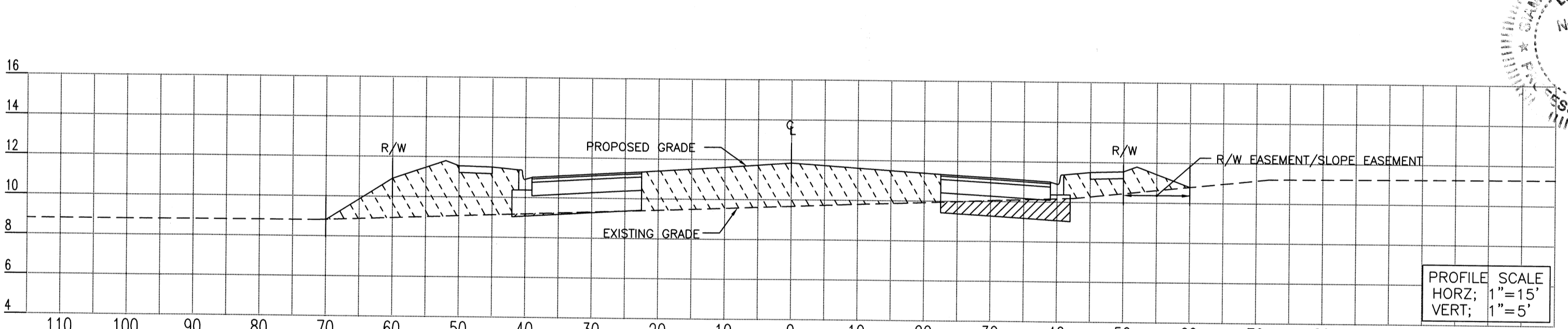
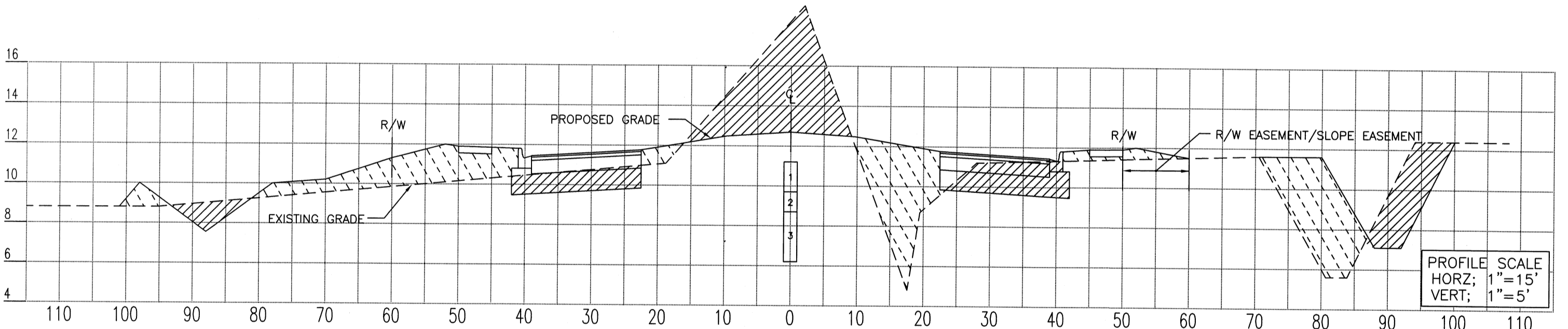
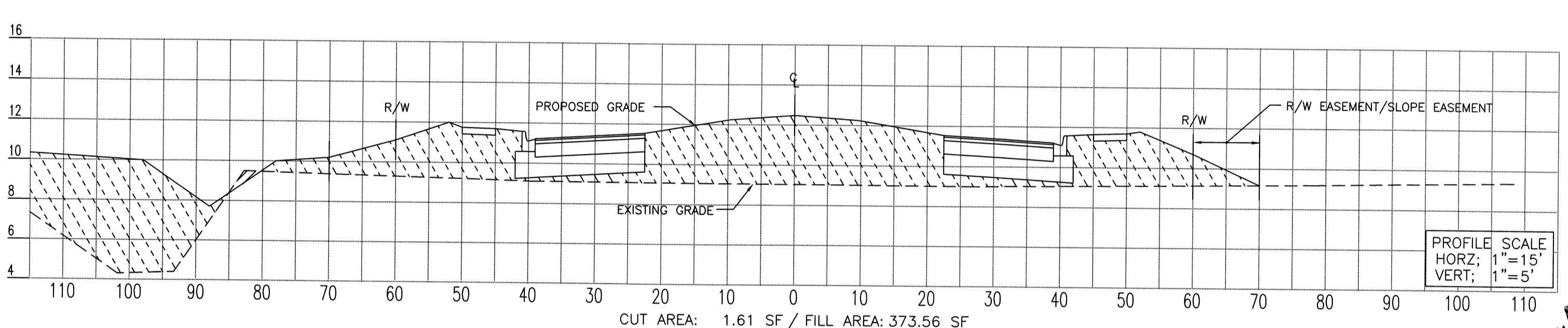
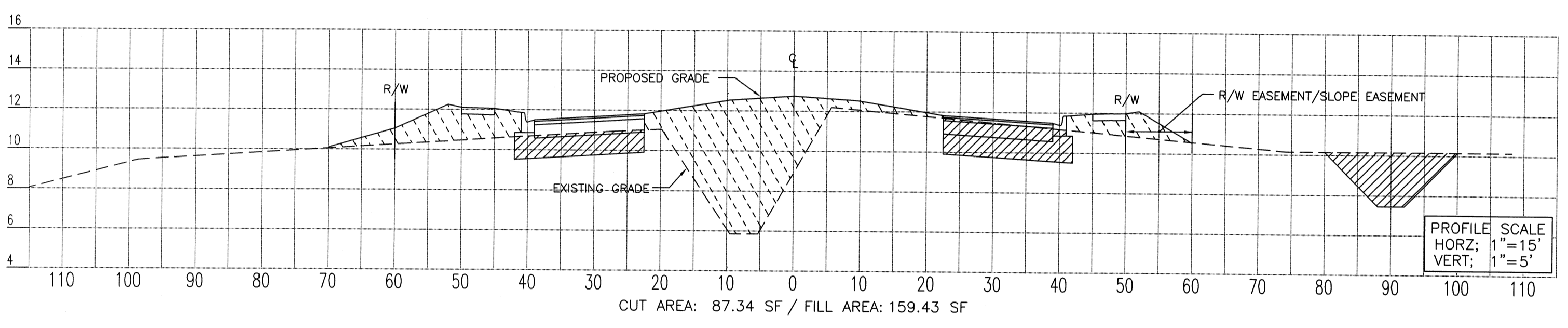
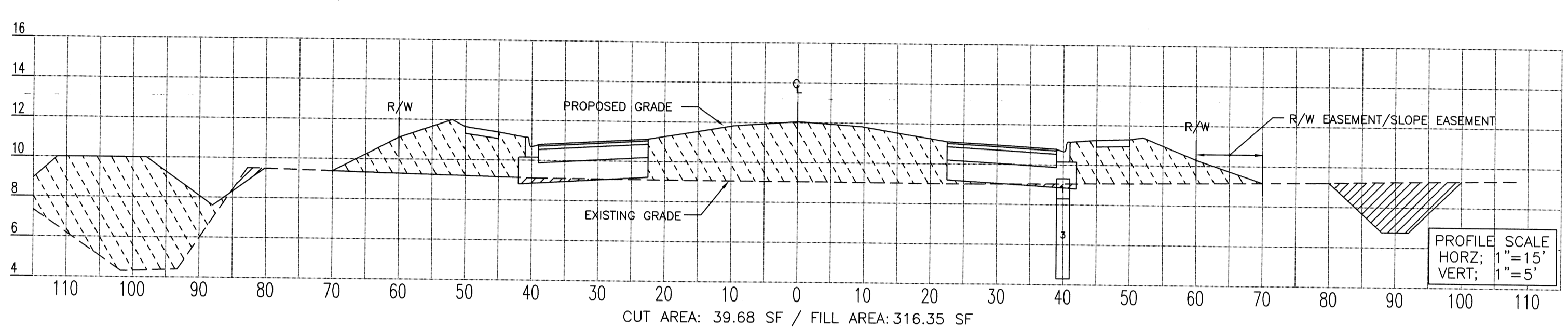
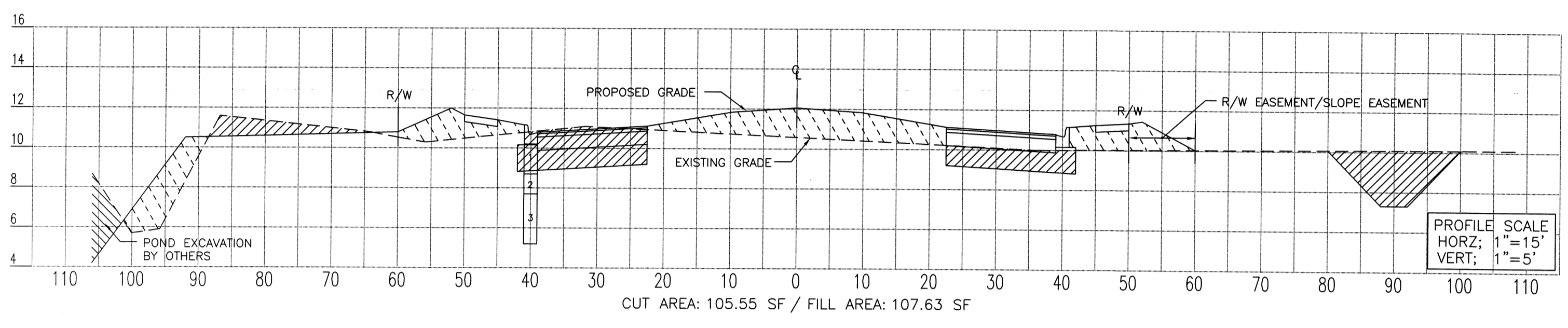
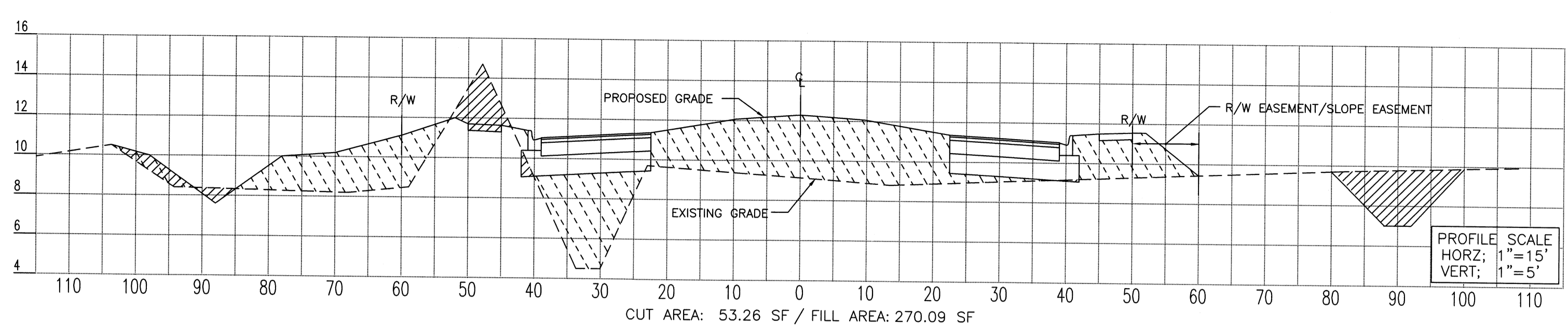
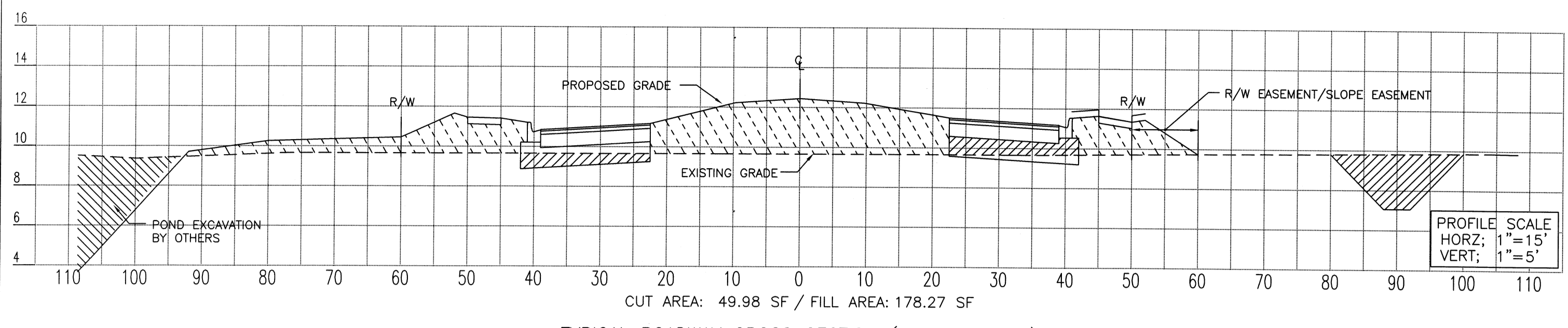
REVISIONS
REVISED PER SWINARD COMMENTS
DATE 24 AUG 2007 J.M.W.
BY A.ANDERSON 2
DATE 7/14/11
RFS

APPROVED BY:
EL CONQUISTADOR
PARKWAY EXTENSION
PHASE II

7-20-11

STORMWATER
CONSTRUCTION
DETAILS

SHEET
20
OF



LEGEND

- RIGHT OF WAY LINE
- - - - - EXISTING GRADE
- FINISHED GRADE
- ▨ EXCAVATION AREA
- ▩ FILL AREA

NOTES

SIDEWALK CROSS-SLOPE NOT TO EXCEED 2.0% AND NOT BE LESS THAN 1.0%

MAXIMUM CROSS-SLOPE ON EMBANKMENT FILL NOT TO EXCEED 4:1. CONTRACTOR TO UTILIZE PROPOSED GROUND GRADES PROVIDED IN PLAN VIEW ON SHEETS #6 THRU #15 FOR FINISHED GRADE LINE ELEVATIONS.

ALL PROPOSED GROUND GRADES TO BE FINISHED GRADE AFTER SOD HAS BEEN INSTALLED. CONTRACTOR TO PLAN ACCORDINGLY.

CONTRACTOR TO REFER TO GENERAL NOTES ON SHEET #5 FOR FILL REQUIREMENTS.

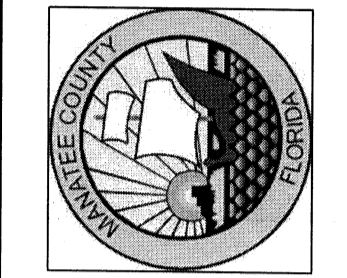
MAXIMUM OF 3" VERTICAL DIFFERENCE BETWEEN OUTER EDGE OF SIDEWALK AND THE ADJACENT GRADE BREAK LINE. USE GRADES ON SHEETS #6 THRU #15.

ABOVE SECTIONS ARE CUT ON STATION, AND MAY NOT FULLY REPRESENT CUT & FILL REQUIREMENTS, DUE TO DITCHES, SWALES, AND BERMS CROSSING BETWEEN STATIONS. CONTRACTOR TO ACCOUNT FOR REQUIRED CUT & FILL VOLUMES ACCORDINGLY.

SUMMARY OF EARTHWORK (CUBIC YARDS)

ROADWAY EXCAVATION	30,821 C.Y.
REGULAR EXCAVATION-POND #1	7,714 C.Y.
REGULAR EXCAVATION-POND #2	13,704 C.Y.
REGULAR EXCAVATION-POND #3	6,878 C.Y.
TOTAL REGULAR EXCAVATION	59,117 C.Y.
EXCAVATION - ROCK OR CEMENTED SAND	1,200 C.Y.
EMBANKMENT - ROADWAY	29,364 C.Y.
EMBANKMENT-POND #1	0
EMBANKMENT-POND #2	0
EMBANKMENT-POND #3	0
TOTAL EMBANKMENT	29,364 C.Y.
SUBSOIL EXCAVATION - ROADWAY	2,215 C.Y.
SUBSOIL EXCAVATION-POND #1	0
SUBSOIL EXCAVATION-POND #2	0
SUBSOIL EXCAVATION-POND #3	0
TOTAL SUBSOIL EXCAVATION	2,215 C.Y.

MANATEE COUNTY
PUBLIC WORKS DEPARTMENT
1022 26TH AVE. E.
BRADENTON, FL 34208



PROJECT NO. 08030
DRAWN BY JAW
CHECKED BY JWP
DATE 15 MARCH 2007

REVISIONS
DATE BY
7/12/11 BR/SZ
ASSEMBLER 2

APPROVED BY:
MOLLY S. WILSON
FLORIDA REGISTERED PROFESSIONAL ENGINEER
NO. 68,905
STATE OF FLORIDA

EL CONQUISTADOR PARKWAY EXTENSION
1022 26TH AVENUE EAST
BRADENTON, FL 34208
DATE 7-20-11

EL CONQUISTADOR PARKWAY EXTENSION
PHASE II

CROSS SECTIONS
STA 63+00 - STA 56+28

SHEET
33
OF