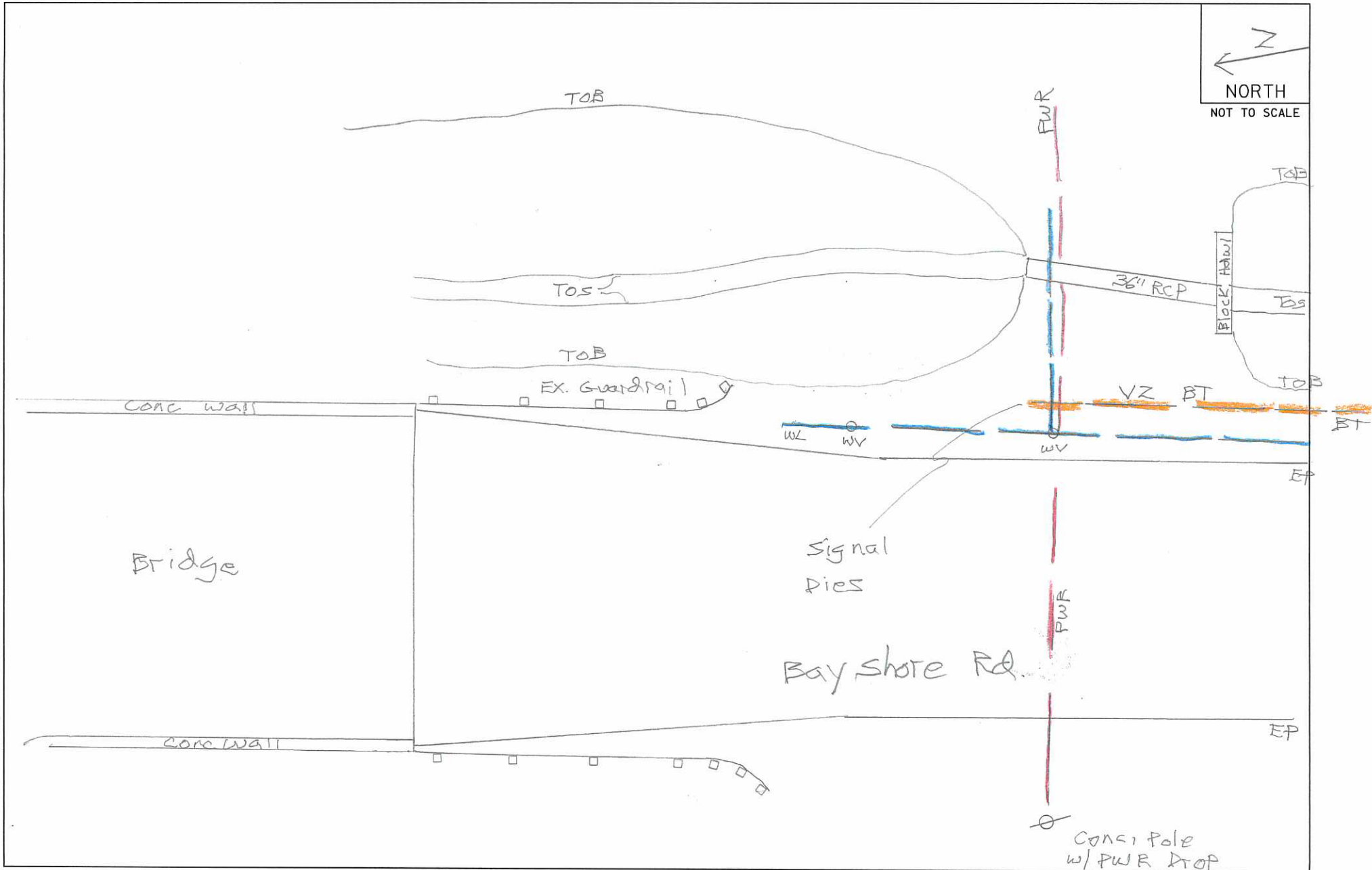




UTILITY DESIGNATION SKETCH

PROJECT: BAYSHORE RD. - PALMETTO JN: 21027.00 DATE: 3-26-21 DESIGNATED BY: AW ^{EM, ZW} REVIEWED BY: _____





S.U.E. (Vvh) TEST HOLE - FIELD WORK SHEET

PROJECT: BAYSHORE RD. - PALMETTO

TEST HOLE NUMBER 1

EAI JOB No.: 21027.00

DATE: 3-26-21

LOCATE BY: EM, ZW, AW

SURVEY BY: _____

CHECKED BY: _____

REQUESTED LOCATE: GAS STORM SANITARY CATV F.O.C. RECLAIMED
FORCE MAIN ELEC TELECOM TRAFFIC SIG. WATER ST. LIGHTS
ITS UNKNOWN OTHER _____

MEASURED DEPTH: (SURVEY MARKER TO TOP OF UTILITY) 3.42 ft. 1043 m ✓

NOTES:

(1) 8" Blue PVC WL

LOCATED UTILITY: GAS STORM SANITARY CATV F.O.C. RECLAIMED
FORCE MAIN ELEC TELECOM TRAFFIC SIG. WATER ST. LIGHTS
ITS UNKNOWN OTHER _____

MATERIAL FOUND: DBC (DIRECT BURY CABLE) CONC. VCP DIP CIP POLY
LEAD PVC WRAPPED STEEL EPOXY STEEL CONCRETE STEEL
RCP CMP UNKNOWN OTHER _____

SIZE / TYPE EXPECTED: _____

SIZE FOUND: 9.05 I.D. 6.0 NOMINAL SIZE: 8"

FOR: _____

COLOR: WHITE GRAY BLUE GREEN PURPLE BLACK ORANGE
YELLOW PINK PEACH OTHER _____

CROSS SECTION SKETCH:

DIRECTION FACING

ELEV. SURVEY MARK

COVER (MEASURED DEPTH)

ELEV. (TOP OF UTILITY)

HEIGHT (MULTIPLE DUCTS)

ELEV. (BOTTOM OF UTILITY)

EXISTING GRADE (APPROXIMATE)

WIDTH (MULTIPLE DUCTS)

UTILITY OWNER: _____

FIELD REP.: _____ PHONE #: _____

HOW WAS OWNER DETERMINED?: PAINT MARKS SIGN FIELD REP.

NAME ON MH / HAND HOLE / PEDESTAL OTHER _____

DESIGNATED BY: EAI UTIL. OWNER UNK. OTHER _____

WAS UTILITY TONABLE?: YES NO

TRACER FOUND: PLASTIC TAPE METAL TAPE WIRE NONE OTHER _____

VISUAL CONFIRMATION OF UTILITY: YES NO

REASON FOR NO VISUAL CONFIRMATION OF UTILITY: WATER INTRUSION DEPTH SOIL TYPE OTHER _____

IF NOT VISUAL HOW WAS LOCATION DETERMINED: RADIO DETECTION GPR

HAND PROBE WATER PROBE ASPH. PATCH OTHER _____

SURFACE TYPE: ASPH. CONC. BRICK MANHOLE GRASS LIMEROCK

DIRT GRAVEL VAULT SHELL PULL BOX OTHER _____

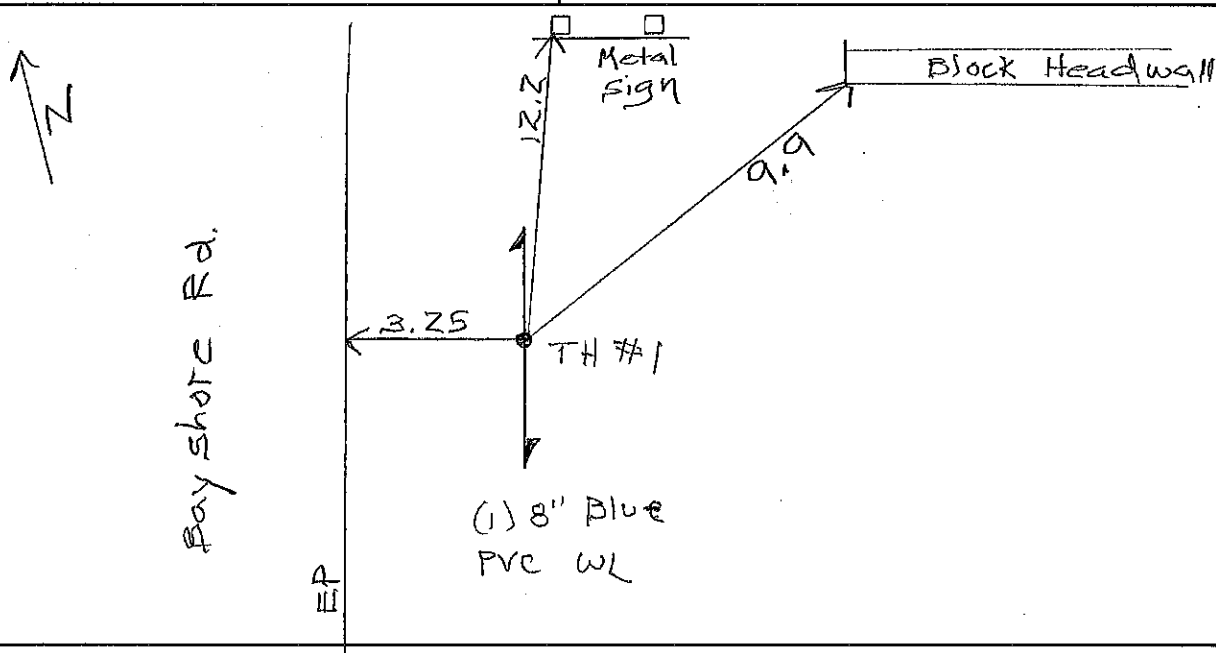
SOIL CONDITION: HARD SOFT WET MOIST DRY SAND CLAY

ROCK SOLID ROCK LIMEROCK NOT NOTED

MARKER SET: 3/8" ROD NAIL/FLASHER 60d NAIL HUB PAINT DOT

X-CUT OTHER _____

SITE SKETCH: NOT TO SCALE



SURVEY DATA:

SURVEY PT. # _____

STATION _____

SURVEYED

ROADWAY _____

OFFSET _____

ft. LT. RT.

PLAN

BASELINE: SURVEY CONSTR. OTHER _____

SURVEY PT. ELEV. _____

SCALED



S.U.E. (Vvh) TEST HOLE - FIELD WORK SHEET

PROJECT: BAYSHORE RD. - PALMETTO

TEST HOLE NUMBER Z

EAI JOB No.: 21027.00 DATE: 3-26-21

LOCATE BY: EM, AW, ZW SURVEY BY: _____ CHECKED BY: _____

REQUESTED LOCATE: GAS STORM SANITARY CATV F.O.C. RECLAIMED
FORCE MAIN ELEC TELECOM TRAFFIC SIG. WATER ST. LIGHTS
ITS UNKNOWN OTHER _____

MEASURED DEPTH: 2.58 ft. 0.787 m
(SURVEY MARKER TO TOP OF UTILITY)

LOCATED UTILITY: GAS STORM SANITARY CATV F.O.C. RECLAIMED
FORCE MAIN ELEC TELECOM TRAFFIC SIG. WATER ST. LIGHTS
ITS UNKNOWN OTHER _____

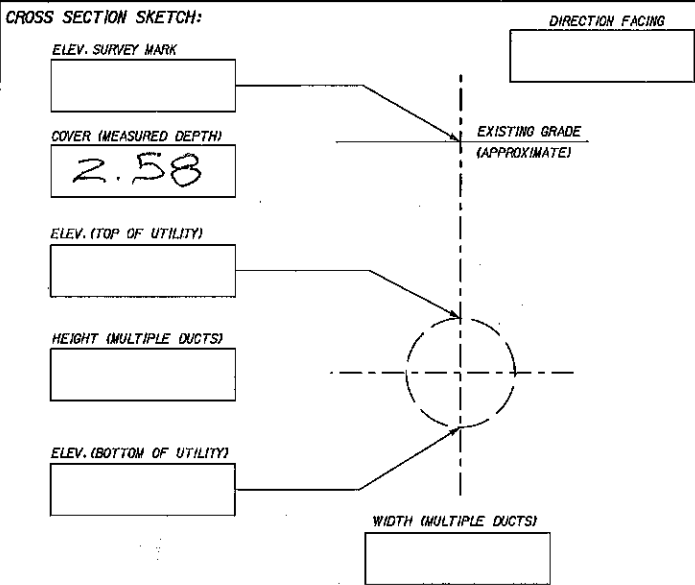
NOTES:
(1) 1.25" Black soft Metal conduit Verizon BT

MATERIAL FOUND: DBC (DIRECT BURY CABLE) CONC. VCP DIP CIP POLY
LEAD PVC WRAPPED STEEL EPOXY STEEL CONCRETE STEEL
RCP CMP UNKNOWN OTHER Soft Metal

SIZE / TYPE EXPECTED: _____
SIZE FOUND: 1.66 I.D. 0.0 NOMINAL SIZE: 1.25

FOR: _____

COLOR: WHITE GRAY BLUE GREEN PURPLE BLACK ORANGE
YELLOW PINK PEACH OTHER _____



UTILITY OWNER: VERIZON

FIELD REP.: _____ PHONE #: _____
HOW WAS OWNER DETERMINED?: PAINT MARKS SIGN FIELD REP.

NAME ON MH / HAND HOLE / PEDESTAL OTHER _____

DESIGNATED BY: EAI UTIL. OWNER UNK. OTHER _____

WAS UTILITY TONABLE?: YES NO

TRACER FOUND: PLASTIC TAPE METAL TAPE WIRE (NONE) OTHER

VISUAL CONFIRMATION OF UTILITY: YES NO

REASON FOR NO VISUAL CONFIRMATION OF UTILITY: WATER INTRUSION DEPTH
SOIL TYPE OTHER _____

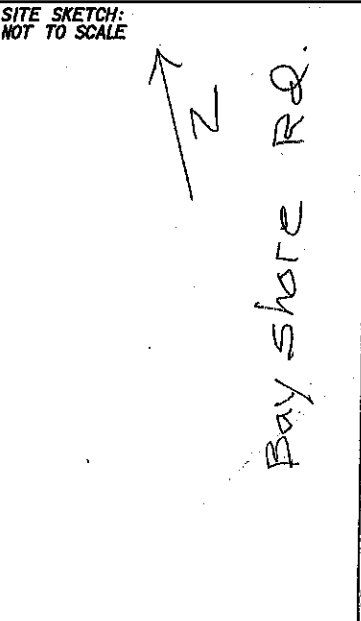
IF NOT VISUAL HOW WAS LOCATION DETERMINED: RADIO DETECTION GPR
HAND PROBE WATER PROBE ASPH. PATCH OTHER _____

SURFACE TYPE: ASPH. CONC. BRICK MANHOLE GRASS LIMEROCK
DIRT GRAVEL VAULT SHELL FULL BOX OTHER _____

SOIL CONDITION: HARD SOFT WET MOIST DRY SAND CLAY

ROCK SOLID ROCK LIMEROCK NOT NOTED

MARKER SET: 3/8" ROD NAIL/FLASHER 60d NAIL HUB PAINT DOT
X-CUT OTHER _____



(1) 1.25" Black soft Metal Conduit Verizon BT

SURVEY DATA: SURVEY PT. # _____ STATION _____ SURVEYED
ROADWAY _____ OFFSET _____ ft. LT. RT. _____ PLAN
BASELINE: SURVEY CONSTR. OTHER _____ SURVEY PT. ELEV. _____ SCALED



S.U.E. (Vvh) TEST HOLE - FIELD WORK SHEET

PROJECT: BAYSHORE RD. - PALMETTO

TEST HOLE NUMBER 3

EAI JOB No.: 21027.00 DATE: 3-26-21

LOCATE BY: EM, ZW, AW SURVEY BY: _____ CHECKED BY: _____

REQUESTED LOCATE: GAS STORM SANITARY CATV F.O.C. RECLAIMED
FORCE MAIN ELEC TELECOM TRAFFIC SIG. (WATER) ST. LIGHTS
ITS UNKNOWN OTHER _____

MEASURED DEPTH: 3.86 ft. 1.176 m ✓
(SURVEY MARKER TO TOP OF UTILITY)

LOCATED UTILITY: GAS STORM SANITARY CATV F.O.C. RECLAIMED
FORCE MAIN ELEC TELECOM TRAFFIC SIG. (WATER) ST. LIGHTS
ITS UNKNOWN OTHER _____

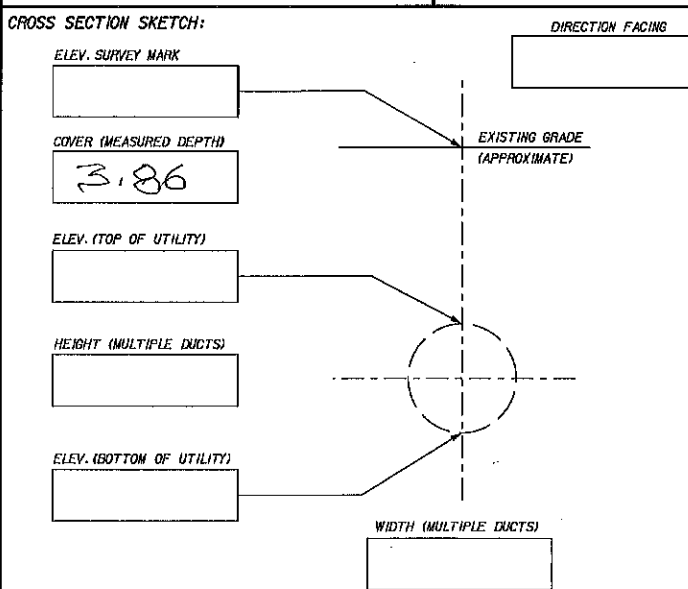
NOTES:
(1) 8" Black DIP WL
TH #3 is 1.5' S. of Bend
where WL starts to dive
and turn N.E.

MATERIAL FOUND: DBC (DIRECT BURY CABLE) CONC. VCP (DIP) CIP POLY
LEAD PVC WRAPPED STEEL EPOXY STEEL CONCRETE STEEL
RCP CMP UNKNOWN OTHER _____

SIZE / TYPE EXPECTED:
SIZE FOUND: 9.05 I.D. (O.D.) NOMINAL SIZE: 8"

FOR: _____

COLOR: WHITE GRAY BLUE GREEN PURPLE (BLACK) ORANGE
YELLOW PINK PEACH OTHER _____



UTILITY OWNER:
FIELD REP.: _____ PHONE #: _____
HOW WAS OWNER DETERMINED?: PAINT MARKS SIGN FIELD REP.
NAME ON MH / HAND HOLE / PEDESTAL OTHER _____

DESIGNATED BY: (EAI) UTIL. OWNER UNK. OTHER _____

WAS UTILITY TONABLE?: YES (NO)

TRACER FOUND: PLASTIC TAPE METAL TAPE WIRE (NONE) OTHER _____

VISUAL CONFIRMATION OF UTILITY: (YES) NO

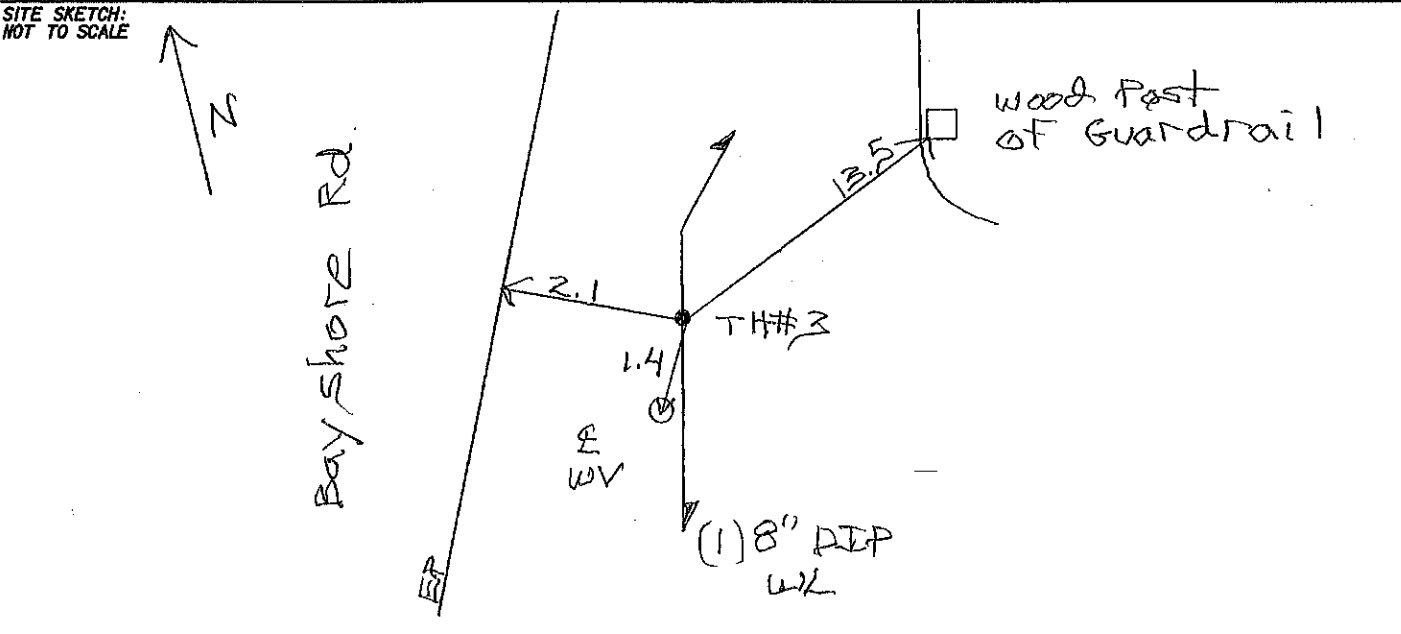
REASON FOR NO VISUAL CONFIRMATION OF UTILITY: WATER INTRUSION DEPTH
SOIL TYPE OTHER _____

IF NOT VISUAL HOW WAS LOCATION DETERMINED: RADIO DETECTION GPR
HAND PROBE WATER PROBE ASPH. PATCH OTHER _____

SURFACE TYPE: ASPH. CONC. BRICK MANHOLE (GRASS) LIMEROCK
DIRT GRAVEL VAULT SHELL PULL BOX OTHER _____

SOIL CONDITION: (HARD) SOFT WET (MOIST) DRY (SAND) (CLAY)
(ROCK) SOLID ROCK LIMEROCK NOT NOTED

MARKER SET: (3/8" ROD) NAIL/FLASHER 60d NAIL HUB PAINT DOT
X-CUT OTHER _____



SURVEY DATA: SURVEY PT. # _____ STATION _____ SURVEYED
ROADWAY _____ OFFSET _____ ft. LT. RT. _____ PLAN
BASELINE: SURVEY CONSTR. OTHER _____ SURVEY PT. ELEV. _____ SCALED



S.U.E. (Vvh) TEST HOLE - FIELD WORK SHEET

PROJECT: BAYSHORE RD. - PALMETTO

TEST HOLE NUMBER 4

EAI JOB No.: 21027.00 DATE: 3-26-21

LOCATE BY: EM, ZW, AW SURVEY BY: _____ CHECKED BY: _____

REQUESTED LOCATE: GAS STORM SANITARY CATV F.O.C. RECLAIMED
 FORCE MAIN ELEC TELECOM TRAFFIC SIG. WATER ST. LIGHTS
 ITS UNKNOWN OTHER _____

LOCATED UTILITY: GAS STORM SANITARY CATV F.O.C. RECLAIMED
 FORCE MAIN ELEC TELECOM TRAFFIC SIG. WATER ST. LIGHTS
 ITS UNKNOWN OTHER _____

MATERIAL FOUND: DBC (DIRECT BURY CABLE) CONC. VCP DIP CIP POLY
 LEAD PVC WRAPPED STEEL EPOXY STEEL CONCRETE STEEL
 RCP CMP UNKNOWN OTHER Soft Metal

SIZE / TYPE EXPECTED: _____
 SIZE FOUND: 1.66 I.D. O.D. NOMINAL SIZE: 1.25

COLOR: WHITE GRAY BLUE GREEN PURPLE BLACK ORANGE
 YELLOW PINK PEACH OTHER _____

UTILITY OWNER: Verizon
 FIELD REP.: _____ PHONE #: _____
 HOW WAS OWNER DETERMINED?: PAINT MARKS SIGN FIELD REP.
 NAME ON MH / HAND HOLE / PEDESTAL OTHER _____
 DESIGNATED BY: EAI UTIL. OWNER UNK. OTHER _____

WAS UTILITY TONABLE?: (YES) NO

TRACER FOUND: PLASTIC TAPE METAL TAPE WIRE NONE OTHER

VISUAL CONFIRMATION OF UTILITY: (YES) NO

REASON FOR NO VISUAL CONFIRMATION OF UTILITY: WATER INTRUSION DEPTH
 SOIL TYPE OTHER _____

IF NOT VISUAL HOW WAS LOCATION DETERMINED: RADIO DETECTION GPR
 HAND PROBE WATER PROBE ASPH. PATCH OTHER _____

SURFACE TYPE: ASPH. CONC. BRICK MANHOLE GRASS LIMEROCK
 DIRT GRAVEL VAULT SHELL PULL BOX OTHER _____

SOIL CONDITION: HARD SOFT WET MOIST DRY SAND CLAY
ROCK SOLID ROCK LIMEROCK NOT NOTED

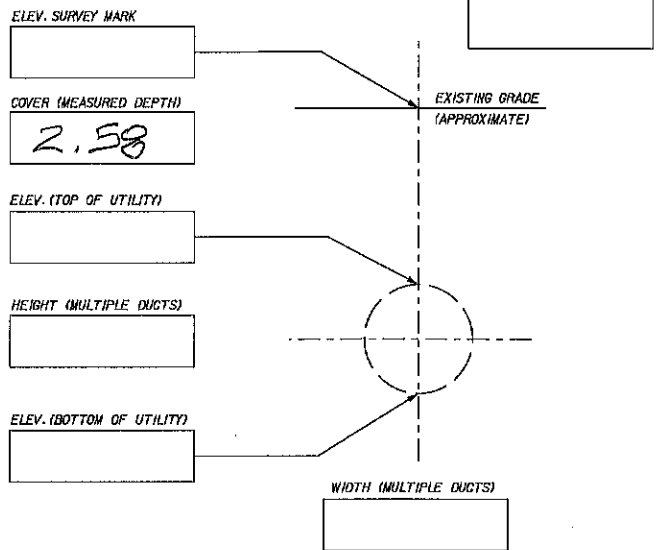
MARKER SET: 3/8" ROD NAIL/FLASHER 60d NAIL HUB PAINT DOT
 X-CUT OTHER _____

MEASURED DEPTH: (SURVEY MARKER TO TOP OF UTILITY) 2.58 ft. 0.785 m ✓

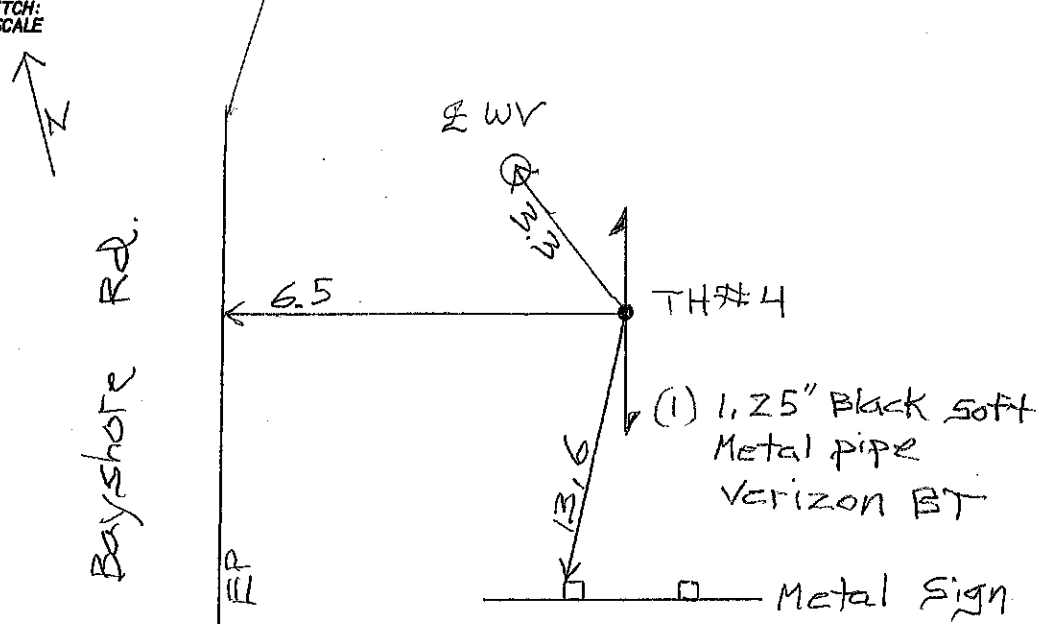
NOTES:
 (1) Black soft Metal Pipe
 Verizon BT

FOR: _____

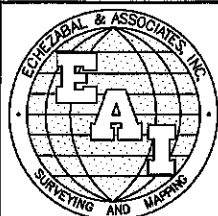
CROSS SECTION SKETCH:



SITE SKETCH: NOT TO SCALE



SURVEY DATA: SURVEY PT. # _____ STATION _____ SURVEYED
 ROADWAY _____ OFFSET _____ ft. LT. RT. PLAN
 BASELINE: SURVEY CONSTR. OTHER _____ SURVEY PT. ELEV. _____ SCALED



S.U.E. (Vvh) TEST HOLE - FIELD WORK SHEET

PROJECT: BAYSHORE RD. - PALMETTO

TEST HOLE NUMBER 5

EAI JOB No.: 21027.00

DATE: 3-26-21

LOCATE BY: EM, AW, ZW

SURVEY BY: _____

CHECKED BY: _____

REQUESTED LOCATE: GAS STORM SANITARY CATV F.O.C. RECLAIMED
 FORCE MAIN ELEC TELECOM TRAFFIC SIG. WATER ST. LIGHTS
 ITS UNKNOWN OTHER _____

MEASURED DEPTH: 4.50 ft. 1.373 m ✓
(SURVEY MARKER TO TOP OF UTILITY)

LOCATED UTILITY: GAS STORM SANITARY CATV F.O.C. RECLAIMED
 FORCE MAIN ELEC TELECOM TRAFFIC SIG. WATER ST. LIGHTS
 ITS UNKNOWN OTHER _____

NOTES:

(1) 6" Blue PVC WL

MATERIAL FOUND: DBC (DIRECT BURY CABLE) CONC. VCP DIP CIP POLY
 LEAD PVC WRAPPED STEEL EPOXY STEEL CONCRETE STEEL
 RCP CMP UNKNOWN OTHER _____

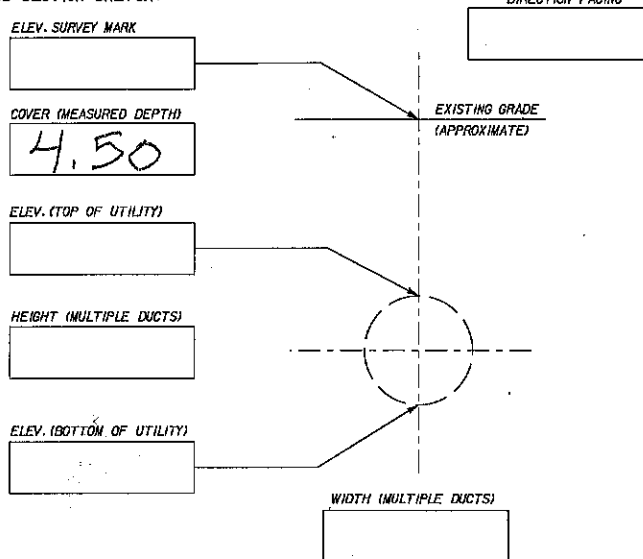
SIZE / TYPE EXPECTED: _____

SIZE FOUND: 6.9 I.D. 0.0 O.D. NOMINAL SIZE: 6"

FOR: _____

COLOR: WHITE GRAY BLUE GREEN PURPLE BLACK ORANGE
 YELLOW PINK PEACH OTHER _____

CROSS SECTION SKETCH:



UTILITY OWNER: _____

FIELD REP.: _____ PHONE #: _____

HOW WAS OWNER DETERMINED?: PAINT MARKS SIGN FIELD REP.

NAME ON MH / HAND HOLE / PEDESTAL OTHER _____

DESIGNATED BY: EAI UTIL. OWNER UNK. OTHER _____

WAS UTILITY TONABLE?: YES NO

TRACER FOUND: PLASTIC TAPE METAL TAPE WIRE NONE OTHER _____

VISUAL CONFIRMATION OF UTILITY: YES NO

REASON FOR NO VISUAL CONFIRMATION OF UTILITY: WATER INTRUSION DEPTH
 SOIL TYPE OTHER _____

IF NOT VISUAL HOW WAS LOCATION DETERMINED: RADIO DETECTION GPR

HAND PROBE WATER PROBE ASPH. PATCH OTHER _____

SURFACE TYPE: ASPH. CONC. BRICK MANHOLE GRASS LIMEROCK

DIRT GRAVEL VAULT SHELL PULL BOX OTHER _____

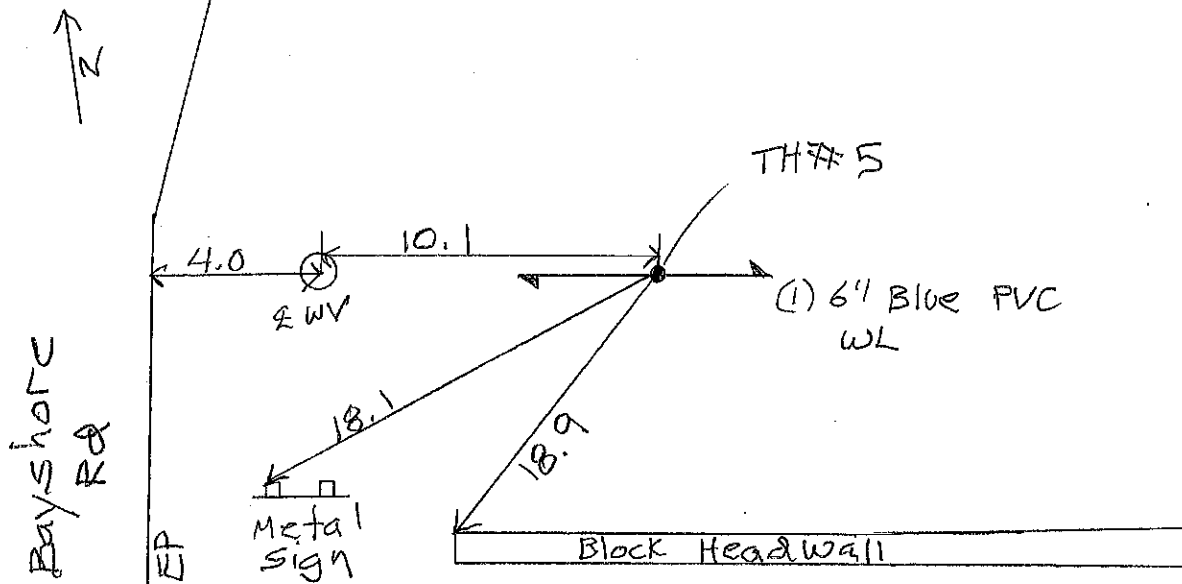
SOIL CONDITION: HARD SOFT WET MOIST DRY SAND CLAY

ROCK SOLID ROCK LIMEROCK NOT NOTED

MARKER SET: 3/8" ROD NAIL/FLASHER 60d NAIL HUB PAINT DOT

X-CUT OTHER _____

SITE SKETCH:
 NOT TO SCALE



SURVEY DATA:

SURVEY PT. # _____

STATION _____

SURVEYED

ROADWAY _____

OFFSET _____

ft. LT. RT.

PLAN

BASELINE: SURVEY CONSTR. OTHER _____

SURVEY PT. ELEV. _____

SCALED



S.U.E. (Vvh) TEST HOLE - FIELD WORK SHEET

PROJECT: BAYSHORE RD. - PALMETTO

TEST HOLE NUMBER 6

EAI JOB No.: 21027.00

DATE: 3-26-21

LOCATE BY: EM, ZW, AW

SURVEY BY: _____

CHECKED BY: _____

REQUESTED LOCATE: GAS STORM SANITARY CATV F.O.C. RECLAIMED
FORCE MAIN ELEC TELECOM TRAFFIC SIG. WATER ST. LIGHTS
ITS UNKNOWN OTHER _____

LOCATED UTILITY: GAS STORM SANITARY CATV F.O.C. RECLAIMED
FORCE MAIN ELEC TELECOM TRAFFIC SIG. WATER ST. LIGHTS
ITS UNKNOWN OTHER _____

MATERIAL FOUND: DBC (DIRECT BURY CABLE) CONC. VCP DIP CIP POLY
LEAD PVC WRAPPED STEEL EPOXY STEEL CONCRETE STEEL
RCP CMP UNKNOWN OTHER _____

SIZE / TYPE EXPECTED: _____

SIZE FOUND: _____ I.D. O.D. NOMINAL SIZE: 4" +/-

COLOR: WHITE GRAY BLUE GREEN PURPLE BLACK ORANGE
YELLOW PINK PEACH OTHER UNK

UTILITY OWNER: _____

FIELD REP.: _____ PHONE #: _____

HOW WAS OWNER DETERMINED?: PAINT MARKS SIGN FIELD REP.

NAME ON MH / HAND HOLE / PEDESTAL OTHER _____

DESIGNATED BY: EAI UTIL. OWNER UNK. OTHER _____

WAS UTILITY TONABLE?: YES NO

TRACER FOUND: PLASTIC TAPE METAL TAPE WIRE NONE OTHER

VISUAL CONFIRMATION OF UTILITY: YES NO

REASON FOR NO VISUAL CONFIRMATION OF UTILITY: WATER INTRUSION DEPTH
SOIL TYPE OTHER collapse

IF NOT VISUAL HOW WAS LOCATION DETERMINED: RADIO DETECTION GPR

HAND PROBE WATER PROBE ASPH. PATCH OTHER

SURFACE TYPE: ASPH. CONC. BRICK MANHOLE GRASS LIMEROCK

DIRT GRAVEL VAULT SHELL PULL BOX OTHER _____

SOIL CONDITION: HARD SOFT WET MOIST DRY SAND CLAY

ROCK SOLID ROCK LIMEROCK NOT NOTED

MARKER SET: 3/8" ROD NAIL/FLASHER 60d NAIL HUB PAINT DOT

X-CUT OTHER _____

MEASURED DEPTH: 8.30 ft. 2.529 m

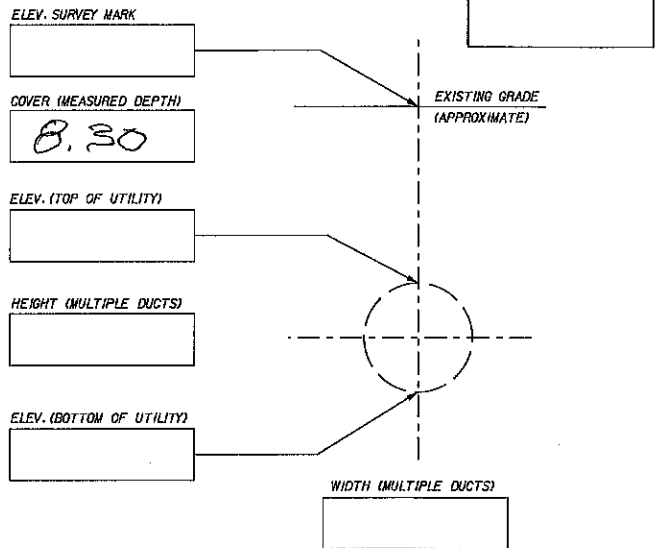
NOTES:

Designated w/ Radio Detection.

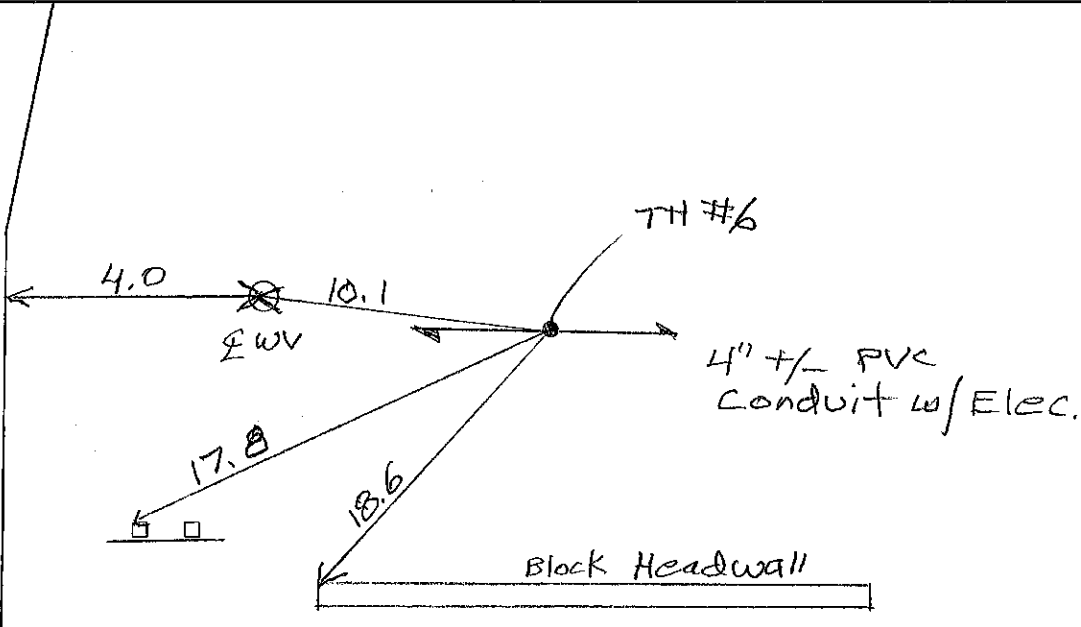
Found w/ water probe only
water intrusion + trench collapse.

FOR: _____

CROSS SECTION SKETCH:



SITE SKETCH:
NOT TO SCALE



SURVEY DATA:

SURVEY PT. # _____

STATION _____

SURVEYED

ROADWAY _____

OFFSET _____

ft. LT. RT.

PLAN

BASELINE: SURVEY CONSTR. OTHER _____

SURVEY PT. ELEV. _____

SCALED