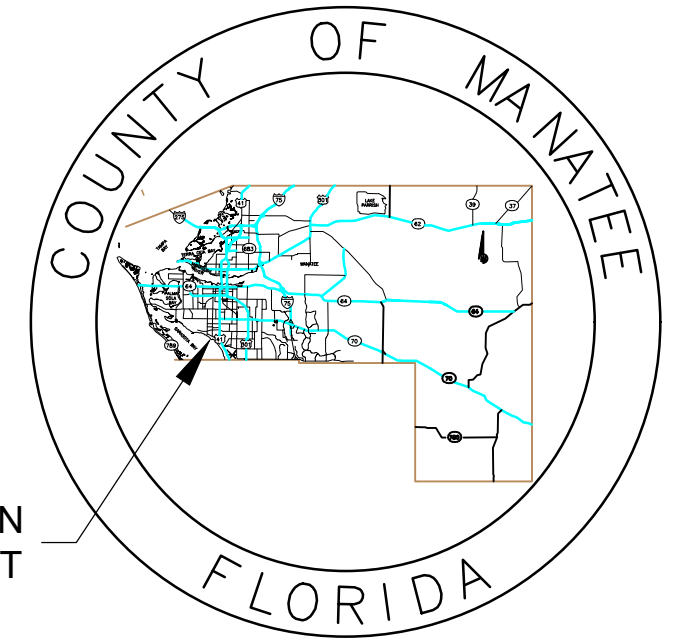


CONTRACT PLAN COMPONENTS  
DREDGING PLANS

# STATE OF FLORIDA COUNTY OF MANATEE

## PLANS FOR PROPOSED STORMWATER DISCHARGE MAINTENANCE PROGRAM TRAILER ESTATES BRADENTON, FLORIDA



LOCATION  
OF PROJECT

INDEX OF ROADWAY PLANS

SHEET NO.	DESCRIPTION
01	COVER SHEET
02	GENERAL NOTES & LEGEND
03	PLAN & PROFILE LOC. NOS. 1-4, 6-8, 10-11
04-05	AERIAL MAP LOCATION 1-4
06	AERIAL MAP LOC. NO. 6
07	AERIAL MAP LOC. NOS. 7-8
08	AERIAL MAP LOC. NOS. 10-11
09	PLAN & PROFILE LOC. NOS. 5 & 9
10	AERIAL MAP LOC. NO. 5
11	AERIAL MAP LOC. NO. 9



PROJECT AREA



ATTENTION IS DIRECTED TO THE FACT THAT THESE PLANS MAY HAVE BEEN ENLARGED IN SIZE BY REPRODUCTION. THIS MUST BE CONSIDERED WHEN OBTAINING SCALED DATA.



Know what's below  
Call before you dig

N.T.S

THIS PROJECT CONSISTS OF DREDGING 461 CY OF MATERIAL FROM ELEVEN (11) OUTFALLS AS INDICATED ON THESE PLANS.

KEY SHEET REVISIONS	
DATE	DESCRIPTION

DREDGING PLANS  
PROFESSIONAL OF RECORD: KENNETH KOHN  
FLORIDA P.E. # 51995

CONSTRUCTION CONTRACT NO.	FISCAL YEAR	SHEET NO.
T0000	2020	01

**GENERAL NOTES**

1. A PRE-CONSTRUCTION MEETING SHALL BE REQUIRED BEFORE ANY DREDGING COMMENCES.
2. THIS PROJECT HAS RECEIVED AN EXEMPTION DETERMINATION BY FDEP, FILE NO. 41-0149088-004. THE CONSTRUCTION ACTIVITIES PERFORMED IN ACCORDANCE WITH THE CONSTRUCTION PLANS AND SPECIFICATIONS ARE ANTICIPATED TO HAVE A MINIMAL IMPACT AND ARE DEEMED EXEMPT OR AS DE MINIMIS ACTIVITY. CONSTRUCTION ACTIVITIES MUST CEASE AND APPLICABLE REGULATORY STATE AND FEDERAL PERMITS/AUTHORIZATION MUST BE OBTAINED SHOULD CONSTRUCTION ACTIVITIES BE DEEMED NECESSARY TO DEVIATE FROM WHAT IS NOTED ON THE APPROVED PLANS AND SPECIFICATIONS.
3. ALL WORK SHALL BE ACCOMPLISHED IN ACCORDANCE WITH ALL APPLICABLE FEDERAL, STATE, AND LOCAL CODE, ORDINANCE AND REGULATIONS. IT SHALL BE THE RESPONSIBILITY OF THE CONTRACTOR TO INSURE THAT ALL REQUIRED PERMITS/AUTHORIZATIONS/EXEMPTIONS ARE OBTAINED IN HAND BEFORE BEGINNING ANY DREDGING.
4. CONTRACTOR SHALL PROTECT, STABILIZE AND MAINTAIN STRUCTURAL INTEGRITY OF SEA WALLS, DOCKS, OR OTHER STRUCTURES IN PROXIMITY OF PROPOSED DREDGING LIMITS THAT COULD BE COMPROMISED FROM THE DREDGING AND ASSOCIATED WORK. ANY IMPACTS TO EXISTING SEA WALLS, FENCES, REAR YARD, DOCKS, OR ANY PRIVATE/PUBLIC PROPERTY SHALL BE REPLACED AND RECONSTRUCTED TO THE SAME OR BETTER CONDITION BY CONTRACTOR AT NO CHARGE TO THE COUNTY.
5. ALL DISTURBED AREAS NOT INCLUDING THE AREAS SHOWN ON THE PLANS WHERE DREDGING WILL OCCUR, WILL BE RESTORED TO THEIR PRE-DREDGED CONDITION.
6. THE CONTRACTOR SHALL CONTACT THE PROPERTY OWNERS WHOSE PROPERTY ABUTS THE CANAL WHERE DREDGING WILL OCCUR NO LATER THAN 14 DAYS IN ADVANCE OF THE PROPOSED WORK. SUCH CONTACT SHALL INCLUDE WRITTEN NOTIFICATION OF THE PROPOSED WORK, DATES AND TIMES OF THE PROPOSED WORK AND ANY IMPACTS TO NAVIGATION, ROADS, AND/OR UTILITIES THAT MAY OCCUR. IN ADDITION CONTACT INFORMATION SHALL BE PROVIDED ON THE WRITTEN NOTIFICATION INCLUDING CONTRACTOR AND COUNTY CONTACTS, PHONE NUMBERS AND BUSINESS HOURS.
7. ALL DREDGED MATERIAL SHALL BE DISPOSED OF AT THE MANATEE COUNTY CLASS I LANDFILL (LENA ROAD). ALL DISPOSAL MATERIAL PLACED IN THE LANDFILL SHALL BE IN COMPLIANCE WITH "TEST METHODS FOR EVALUATING SOLID WASTE, PHYSICAL CHEMICAL METHOD" METHOD 9095 (PAINT FILTER LIQUIDS TEST) (EPA PUBLICATION NO. SW-846). CONTRACTOR TO MAINTAIN PRECISE RECORDS OF THE VOLUME OF MATERIAL DISPOSED OF THAT MEETS THE PAINT TEST. METHODOLOGY FOR QUANTIFYING DREDGED MATERIAL DISPOSED SHALL BE APPROVED BY THE COUNTY ENGINEER.
8. HAULING SHALL BE IN SEALED TRUCKS OVER A CONTRACTOR DESIGNATED, COUNTY APPROVED HAUL ROUTE TO MANATEE COUNTY LANDFILL. ANY ROADWAY DAMAGE ALONG THE HAUL ROUTE FROM SPOIL TRANSPORTATION SHALL BE REPAIRED PER FDOT OR COUNTY STANDARDS AT NO COST TO THE OWNER OR ENGINEER.
9. DREDGING WILL OCCUR ONLY AT THE LOCATIONS, DEPTHS, AREAS AS SHOWN ON THE PLANS. A PRE AND POST DREDGING SURVEY WILL BE PROVIDED TO DEMONSTRATE DREDGING WAS CONSISTENT WITH THE DEPTH, AREAS AND LOCATIONS INDICATED ON THE PLANS.
10. THE CONTRACTOR SHALL NOT EXCAVATE, DREDGE, REMOVE OR OTHERWISE DISTURB ANY MATERIAL STRUCTURE OR PART OF A STRUCTURE WHICH IS LOCATED OUTSIDE THE DREDGING AREA INDICATED ON THE PLANS, EXCEPT WHERE SUCH EXCAVATIONS, DREDGING OR REMOVAL IS PROVIDED FOR IN THE CONTRACT, PLANS OR SPECIFICATIONS.
11. APPARENT ERRORS, DISCREPANCIES OR OMISSIONS ON THE DRAWINGS SHALL BE BROUGHT TO THE ENGINEERS ATTENTION BEFORE BIDDING.
12. THE CONTRACTOR SHALL PERFORM SITE OPERATION AND CARE FOR THE REMOVAL OF ALL TRASH, DEBRIS, EXCESS MATERIALS AND EQUIPMENT. IT SHALL BE THE CONTRACTOR'S RESPONSIBILITY TO PRESENT THE PROJECT CLEAN AND IN GOOD ORDER AT ALL TIMES UNTIL FINAL ACCEPTANCE.
13. THE CONTRACTOR SHALL COMPLY WITH THE LEGAL LOAD RESTRICTIONS IN HAULING MATERIALS IN PUBLIC ROADS BEYOND THE LIMITS OF WORK. A SPECIAL PERMIT WILL NOT RELIEVE THE CONTRACTOR OF LIABILITY FOR DAMAGE WHICH MAY RESULT FROM THE MOVING OF MATERIAL AND EQUIPMENT.
14. ALL EXISTING DRAINAGE STRUCTURES TO REMAIN UNLESS OTHERWISE NOTED.
15. THE CONTRACTOR SHALL VERIFY LOCATION OF EXISTING UTILITIES PRIOR TO CONSTRUCTION. EXISTING UTILITIES ARE TO REMAIN IN PLACE UNLESS OTHERWISE NOTED. CONTRACTOR MUST EXERCISE EXTREME CAUTION WHILE WORKING OR EXCAVATING NEAR NATURAL GAS LINES, UNDERGROUND ELECTRIC, AND GRAVITY SEWER. THIS MAY NECESSITATE HAND DIGGING TO AVOID DAMAGE OR SERIOUS INJURY.
16. THE CONTRACTOR TO NOTIFY SUNSHINE STATE ONE-CALL OF FLORIDA AT 1-800-432-4770, TWO FULL BUSINESS DAYS PRIOR TO CONSTRUCTION.
17. THE CONTRACTOR TO NOTIFY THE U.S. COAST GUARD AND ANY OTHER NAVIGATIONAL AUTHORITY REGARDING INGRESS AND EGRESS TO THE PROPOSED PROJECT INCLUDING ANY NAVIGATIONAL HAZARDS OR REQUIREMENTS FOR SUCH WORK THAT MAY EXIST.
18. ALL MANATEE PROTECTION DEVICES AND CONTROLS SHALL BE MAINTAINED AS REQUIRED BY STATE LAW.
19. ELEVATIONS SHOWN HEREON ARE BASED ON NAVD 88.
20. ALL CONSTRUCTION ACTIVITIES SHALL BE COORDINATED WITH THE PUBLIC WORKS DEPARTMENT, PROJECT MANAGEMENT DIVISION AND ENGINEERING SERVICES DIVISION.

**EROSION AND TURBIDITY/SEDIMENT CONTROL:**

1. CONTRACTOR SHALL INSTALL PRIOR TO AND MAINTAIN DURING THE DREDGING OPERATION ALL SEDIMENT CONTROL MEASURES TO MEET APPLICABLE STATE, FEDERAL AND LOCAL WATER QUALITY STANDARDS.
2. THE PROPOSED DUAL FLOATING TURBIDITY SCREENS WILL BE PLACED AS SHOWN ON THE PLANS AND WILL REMAIN IN PLACE THROUGHOUT THE DURATION OF THE DREDGING OPERATION. ADDITIONAL EROSION AND SEDIMENT CONTROL MEASURES WILL BE IMPLEMENTED AS REQUIRED TO MAINTAIN WATER QUALITY STANDARDS THROUGHOUT THE PROJECT. THE CONTRACTOR SHALL BE RESPONSIBLE TO ADJUST, RELOCATE, AND MAINTAIN EROSION CONTROLS TO MEET APPLICABLE WATER QUALITY STANDARDS.
3. THE MAINTENANCE SCHEDULE FOR THE EROSION AND TURBIDITY/SEDIMENT CONTROL WILL BE DAILY.
4. EROSION AND TURBIDITY/SEDIMENT CONTROL BMP'S IN ADDITION TO THOSE PRESENTED ON THE PLANS SHALL BE IMPLEMENTED AS NECESSARY TO PREVENT TURBIDITY OR OTHER WATER QUALITY VIOLATIONS. BMP'S SHALL BE MAINTAINED TO ENSURE THAT APPLICABLE SURFACE WATER QUALITY STANDARDS ARE MET.
5. THE CONTRACTOR SHALL FAMILIARIZE WITH ALL APPLICABLE SURFACE WATER QUALITY STANDARDS (STATE, FEDERAL AND LOCAL) TO ENSURE THE DREDGING OPERATION DOES NOT RESULT IN APPLICABLE SURFACE WATER QUALITY VIOLATIONS. TURBIDITY WHICH EXCEEDS 29 NTU'S ABOVE BACKGROUND SHALL BE CORRECTED IMMEDIATELY AND SUCH INCIDENTS SHALL BE REPORTED TO THE COUNTY ENGINEER AND STATE WARNING POINT NO LATER THAN 24 HOURS AFTER THE OCCURRENCE. THE REPORT SHALL INCLUDE THE CAUSE OF THE EXCEEDANCE AND CORRECTIVE ACTION TAKEN.
6. WATER QUALITY SAMPLES FOR TURBIDITY WILL BE AT THE EXPENSE OF THE CONTRACTOR IF NECESSARY IN THE EVENT A WATER QUALITY VIOLATION OR TURBIDITY PLUME OCCURS OR EROSION AND SEDIMENT CONTROLS ARE COMPROMISED OR OTHERWISE NOT PROVIDING FOR THE REQUIRED PROTECTION NECESSARY TO MEET APPLICABLE SURFACE WATER QUALITY STANDARDS. IF REQUIRED, AN ADEQUATE MIXING ZONE MAY BE ESTABLISHED IN ACCORDANCE WITH FAC CHAPTERS 62-4 AND 62-302 AND WILL BE APPROVED BY THE APPLICABLE REGULATORY AGENCY. WHERE REQUIRED, MONITORING WILL OCCUR WITHIN THE AFFECTED AREA AND AT A DOWNSTREAM UNIMPACTED BACKGROUND LOCATION. SAMPLES WILL BE COLLECTED AT THE SURFACE AND AT MIDEPTH. MONITORING WILL CONTINUE ON NO LESS THAN A DAILY BASIS UNTIL WATER QUALITY STANDARDS ARE MET. ALL CONSTRUCTION/DREDGING ACTIVITY WILL CEASE IN EVENT WATER QUALITY VIOLATIONS OCCUR AS A RESULT OF THE PROJECT.
7. CONTRACTOR TO BE SOLELY RESPONSIBLE FOR CONTROL OF EROSION WITHIN THE WORK SITE AND PREVENTION OF SEDIMENTATION AND TURBIDITY OF ANY ADJACENT OR DOWNSTREAM WATERWAYS. THE EROSION AND SEDIMENT/TURBIDITY CONTROL MEASURES SHOWN ON THE PLANS ARE THE MINIMUM REQUIREMENTS. THE CONTRACTOR'S METHOD OF OPERATION MAY DICTATE ADDITIONAL EROSION AND SEDIMENTATION/TURBIDITY CONTROL MEASURES. THE CONTRACTOR SHALL BE RESPONSIBLE FOR DETERMINING AND INSTALLING ADDITIONAL MEASURES.
8. TEMPORARY DEWATERING SHALL NOT OCCUR WITHOUT PRIOR APPROVAL FROM FDEP AND MANATEE COUNTY.
9. ALL TEMPORARY EROSION CONTROL DEVICES SHALL BE REMOVED AT THE COMPLETION OF THE PROJECT.
10. REFER TO THE EROSION AND SEDIMENT CONTROL PLAN(S) FOR ADDITIONAL INFORMATION.

H:\Stormwater Engineering\SedimentOutfalls-Dredging\2020 Budget-178K\Trailer Estates-2020\Plans.dwg [7/28/2020 10:00:00 AM]

NUMBER	DESCRIPTION	DATE	PROJECT #	000-0000000	SURVEYED	XXX	XX/XX/XX
			SURVEY #	0577-0036	DESIGNED	KK	07-01-20
			SEC./TWN./RGE	22.27-37S-17E	DRAWN	JKP	07-01-20
			SCALE	1"=40'	CHECKED	KK	7-15-20

KENNETH KOHN, P.E.  
FLORIDA P.E. # 51995

Signature & Date

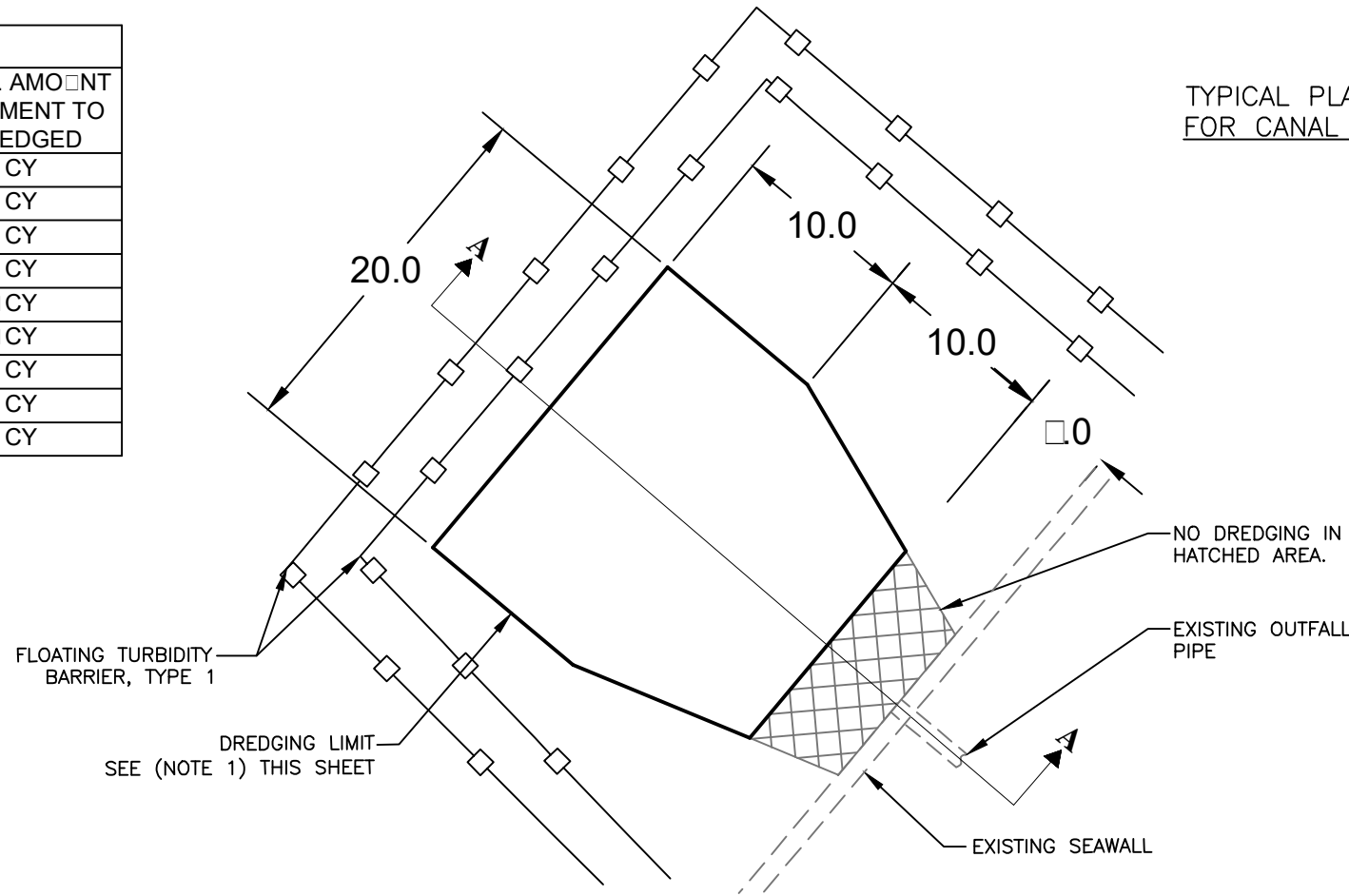


PUBLIC WORKS DEPARTMENT  
ENGINEERING SERVICES  
1022 26th Avenue East, Bradenton, FL 34208

**STORMWATER MAINTENANCE PROGRAM  
TRAILER ESTATES  
GENERAL NOTES & LEGEND**

SHEET NO.  
02

OUTFALL LOCATION	APPROX. ELEV. OF SEDIMENT	APPROX. AMOUNT OF SEDIMENT TO BE DREDGED
LOCATION 1	1.0	0 CY
LOCATION 2	1.0	0 CY
LOCATION 3	3.0	30 CY
LOCATION 4	2.0	38 CY
LOCATION 5	2.0	0 CY
LOCATION 7	1.0	0 CY
LOCATION 8	1.0	0 CY
LOCATION 10	3.0	28 CY
LOCATION 11	3.0	30 CY

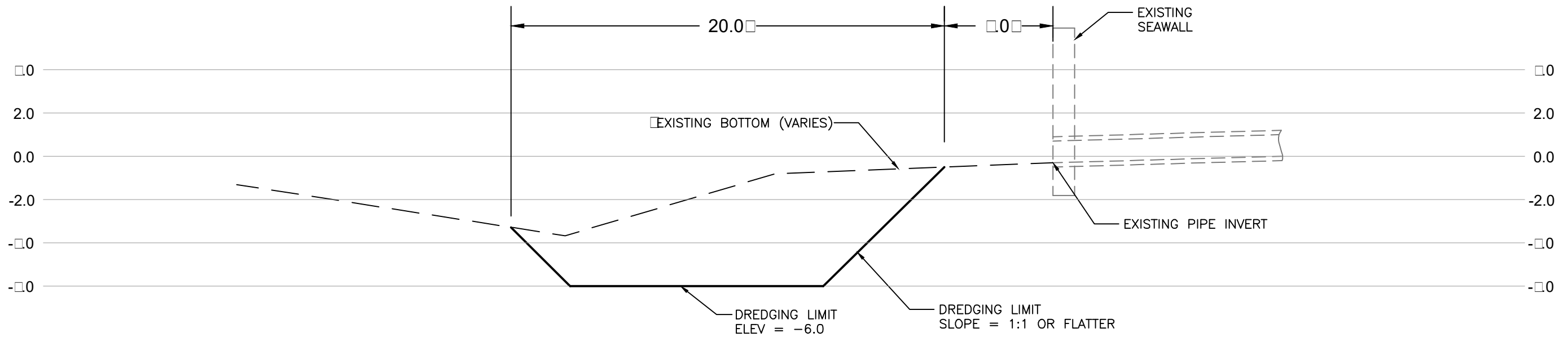


TYPICAL PLAN AND SECTION FOR CANAL LOCATIONS 1-4, 6-8, 10-11.

NOTE 1: DREDGING LIMITS NOT TO EXCEED AREA AS SHOWN, VARIES FOR EACH OUTFALL LOCATION RESPECTIVELY. MAINTAIN 10 FT MINIMUM SEPARATION FROM DOCKS AND OTHER MANMADE STRUCTURES INCLUDING SEAWALLS.

NO IMPACT SHALL OCCUR TO MANGROVE TREES WITHOUT REQUIRED PERMIT OR APPROVALS FROM STATE, LOCAL OR FEDERAL AGENCIES.

HORZ SCALE: 1"=10'  
VERT. SCALE: 1"=10'



SECTION A-A

HORZ SCALE: 1"=5'  
VERT. SCALE: 1"=5'

TO BE DETERMINED BY FIELD PROBE DEPTH NOT TO EXCEED ORIGINAL BOTTOM OR (-) 6.0 FT, WHICHEVER IS LESS

MHW & MLW ARE BASED ON STATION 8726273  
DESOTO POINT, FL. EPOCH 1983-2001 NOAA.  
ELEVATIONS SHOWN BASED ON NAVD 88

H:\Stormwater\Engineering\Sediment\Outfalls-Dredging\2020 Budget-178\KTTrailer Estates-2020\Plans.dwg [7/28/2020 10:32 AM]

ELEVATIONS BASED UPON NAVD 1988		DATE		PROJECT #		SURVEYED		XXX		XX/XX/XX	
NUMBER	DESCRIPTION										
				000-0000000	000-0000000	DESIGNED	KK	07-01-20			
				22,27/35S/17E		DRAWN	JKP	07-01-20			
				AS SHOWN	CHECKED	KK		7-15-20			

KENNETH KOHN, P.E.  
FLORIDA P.E. # 51995

Signature & Date



PUBLIC WORKS DEPARTMENT  
ENGINEERING SERVICES  
1022 26th Avenue East, Bradenton, FL 34208

**STORMWATER MAINTENANCE PROGRAM  
TRAILER ESTATES  
PLAN & PROFILE**

SHEET NO.  
03

H:\Stormwater\Engineering\SedimentOutfalls-Dredging\2020 Budget-178K\Trailer Estates-2020\Plans.dwg [7/28/2020 10:10:00 AM]



ELEVATIONS BASED UPON NAVD 1988

NUMBER	DESCRIPTION	DATE	PROJECT #	000-0000000	SURVEYED	XXX	XX/XX/XX
			SURVEY #	000-0000000	DESIGNED	KK	07-01-20
			SEC./TWN./RGE	22.27/35S/17E	DRAWN	JKP	07-01-20
			SCALE	AS SHOWN	CHECKED	KK	7-15-20

KENNETH KOHN, P.E.  
FLORIDA P.E. # 51995

Signature & Date



PUBLIC WORKS DEPARTMENT  
ENGINEERING SERVICES  
1022 26th Avenue East, Bradenton, FL 34208

**STORMWATER MAINTENANCE PROGRAM  
TRAILER ESTATES  
AERIAL MAP LOCATIONS 1 & 2**

SHEET NO.  
04

H:\Stormwater Engineering\SedimentOutfalls-Dredging\2020 Budget-178K\Trailer Estates-2020\Plans.dwg [7/28/2020 10:10 AM]



ELEVATIONS BASED UPON NAVD 1988

NUMBER	DESCRIPTION	DATE	PROJECT #	000-0000000	SURVEYED	XXX	XX/XX/XX
			SURVEY #	000-0000000	DESIGNED	KK	07-01-20
			SEC./TWN./RGE	22.27/35S/17E	DRAWN	JKP	07-01-20
			SCALE	AS SHOWN	CHECKED	KK	7-15-20

KENNETH KOHN, P.E.  
FLORIDA P.E. # 51995

Signature & Date



PUBLIC WORKS DEPARTMENT  
ENGINEERING SERVICES  
1022 26th Avenue East, Bradenton, FL 34208

**STORMWATER MAINTENANCE PROGRAM  
TRAILER ESTATES  
AERIAL MAP LOCATIONS 3 & 4**

SHEET NO.  
05



ELEVATIONS BASED UPON NAVD 1988

NUMBER	DESCRIPTION	DATE	PROJECT #	000-0000000	SURVEYED	XXX	XX/XX/XX
			SURVEY #	000-0000000	DESIGNED	KK	07-01-20
			SEC./TWN./RGE	22,27/35S/17E	DRAWN	JKP	07-01-20
			SCALE	AS SHOWN	CHECKED	KK	7-15-20

KENNETH KOHN, P.E.  
FLORIDA P.E. # 51995

Signature & Date



PUBLIC WORKS DEPARTMENT  
ENGINEERING SERVICES  
1022 26th Avenue East, Bradenton, FL 34208

**STORMWATER MAINTENANCE PROGRAM  
TRAILER ESTATES  
AERIAL MAP LOCATION 6**

SHEET NO.  
06

H:\Stormwater\Engineering\Sediment\Outfalls-Dredging\2020 Budget-178KT\Trailer Estates-2020\Plans.dwg [7/28/2020 10:11 AM]



ELEVATIONS BASED UPON NAVD 1988

NUMBER	DESCRIPTION	DATE	PROJECT #	000-0000000	SURVEYED	xxx	xx/xx/xx
			SURVEY #	000-0000000	DESIGNED	KK	07-01-20
			SEC./TWN./RGE	22,27/35S/17E	DRAWN	JKP	07-01-20
			SCALE	AS SHOWN	CHECKED	KK	7-15-20

KENNETH KOHN, P.E.  
FLORIDA P.E. # 51995

Signature & Date



**PUBLIC WORKS DEPARTMENT  
ENGINEERING SERVICES**  
1022 26th Avenue East, Bradenton, FL 34208

**STORMWATER MAINTENANCE PROGRAM  
TRAILER ESTATES  
AERIAL MAP LOCATIONS 7 & 8**

SHEET NO.  
07

H:\Stormwater\Engineering\SedimentOutfalls-Dredging\2020 Budget-178K\Trailer Estates-2020\Plans.dwg [7/28/2020 10:12 AM]



ELEVATIONS BASED UPON NAVD 1988

NUMBER	DESCRIPTION	DATE	PROJECT #	000-0000000	SURVEYED	XXX	XX/XX/XX
			SURVEY #	000-0000000	DESIGNED	KK	07-01-20
			SEC./TWN./RGE	22.27/35S/17E	DRAWN	JKP	07-01-20
			SCALE	AS SHOWN	CHECKED	KK	7-15-20

KENNETH KOHN, P.E.  
FLORIDA P.E. # 51995

Signature & Date



PUBLIC WORKS DEPARTMENT  
ENGINEERING SERVICES  
1022 26th Avenue East, Bradenton, FL 34208

**STORMWATER MAINTENANCE PROGRAM  
TRAILER ESTATES  
AERIAL MAP LOCATIONS 10-11**

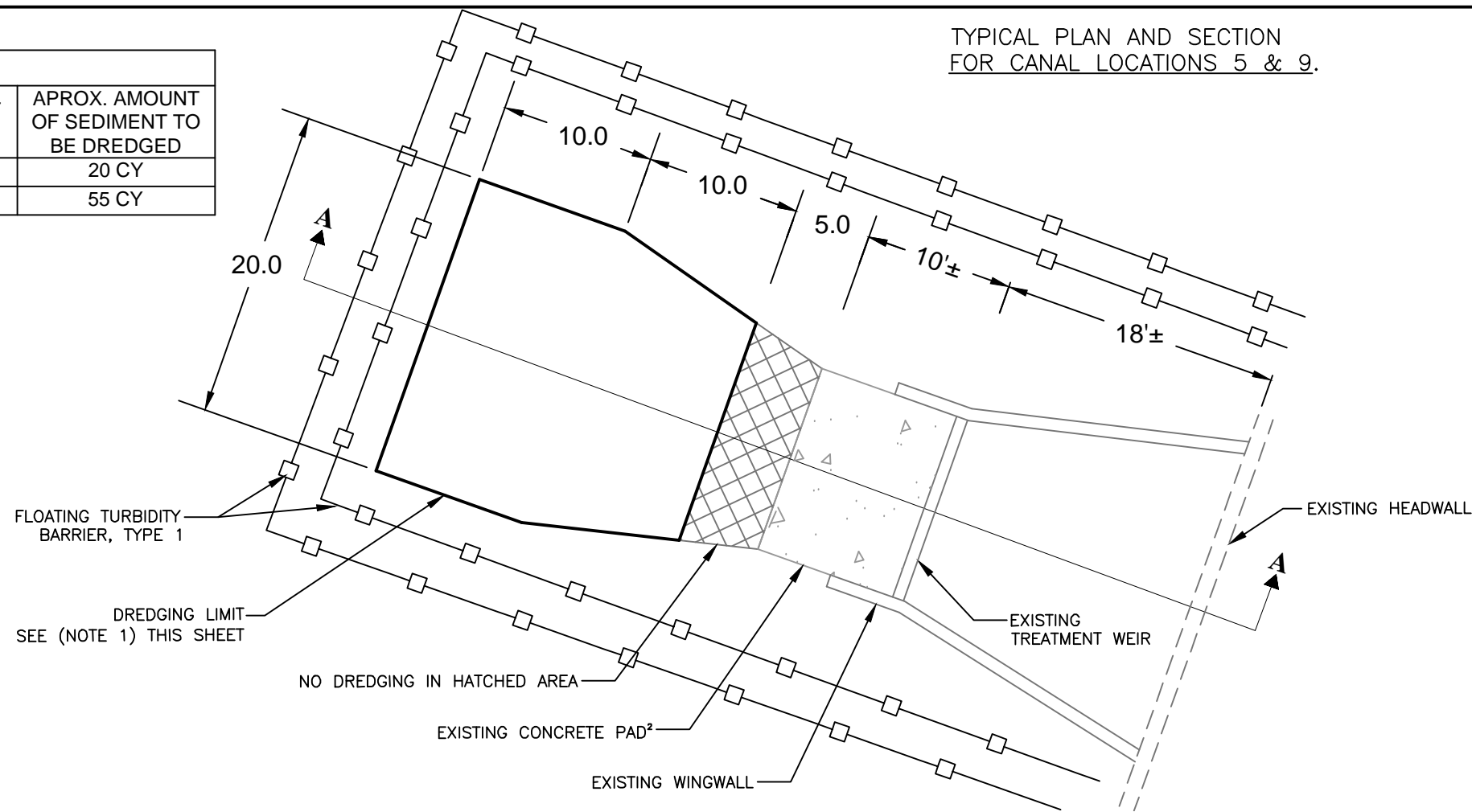
SHEET NO.

08



OUTFALL LOCATION	APROX. ELEV OF SEDIMENT	APROX. AMOUNT OF SEDIMENT TO BE DREDGED
LOCATION 5	(-) 4.0	20 CY
LOCATION 9	(-) 1.0	55 CY

TYPICAL PLAN AND SECTION FOR CANAL LOCATIONS 5 & 9.

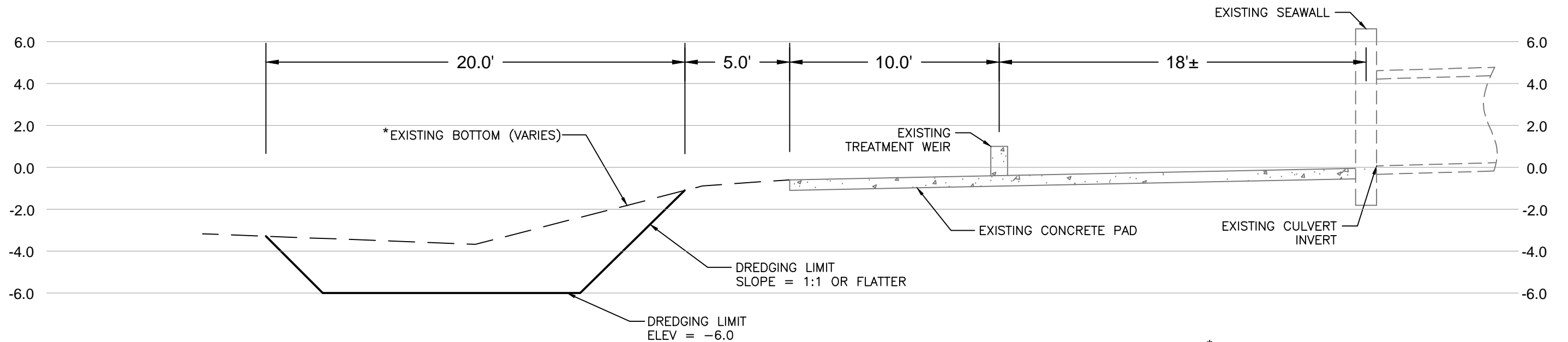


NOTE 1: DREDGING LIMITS NOT TO EXCEED AREA AS SHOWN, VARIES FOR EACH OUTFALL LOCATION RESPECTIVELY. MAINTAIN 10 FT MINIMUM SEPARATION FROM DOCKS AND OTHER MANMADE STRUCTURES INCLUDING SEAWALLS.

NO IMPACT SHALL OCCUR TO MANGROVE TREES WITHOUT REQUIRED PERMIT OR APPROVALS FROM STATE, LOCAL OR FEDERAL AGENCIES.

NOTE 2: CONCRETE PAD AT LOCATION 5, ONLY. AT LOCATION # 9, REMOVE SEDIMENT IN FRONT OF HEADWALL BY NON-MECHANICAL MEANS

HORZ SCALE: 1"=10'  
VERT. SCALE: 1"=10'



MHW & MLW ARE BASED ON STATION 8726273  
DESOTO POINT, FL. EPOCH 1983-2001 NOAA.  
ELEVATIONS SHOWN BASED ON NAVD 88

SECTION A-A

HORZ SCALE: 1"=5'  
VERT. SCALE: 1"=5'

\*TO BE DETERMINED BY FIELD PROBE  
DEPTH NOT TO EXCEED ORIGINAL  
BOTTOM OR (-) 6.0 FT, WHICHEVER IS  
LESS

H:\Stormwater Engineering\SedimentOutfalls-Dredging\2020 Budget-178K\Trailer Estates-2020\Plans.dwg [7/28/2020 10:29 AM]

ELEVATIONS BASED UPON NAVD 1988

NUMBER	DESCRIPTION	DATE	PROJECT #	000-0000000	SURVEYED	XXX	XX/XX/XX
			SURVEY #	000-0000000	DESIGNED	KK	07-01-20
			SEC./TWN./RGE	22.27/35S/17E	DRAWN	JKP	07-01-20
			SCALE	AS SHOWN	CHECKED	KK	7-15-20

KENNETH KOHN, P.E.  
FLORIDA P.E. # 51995

Signature & Date



PUBLIC WORKS DEPARTMENT  
ENGINEERING SERVICES  
1022 26th Avenue East, Bradenton, FL 34208

**STORMWATER MAINTENANCE PROGRAM  
TRAILER ESTATES  
PLAN & PROFILE**

SHEET NO.  
09

H:\Stormwater\Engineering\SedimentOutfalls-Dredging\2020 Budget-178K\Trailer Estates-2020\Plans.dwg [7/28/2020 10:12 AM]



ELEVATIONS BASED UPON NAVD 1988

NUMBER	DESCRIPTION	DATE	PROJECT #	000-0000000	SURVEYED	XXX	XX/XX/XX
			SURVEY #	000-0000000	DESIGNED	KK	07-01-20
			SEC./TWN./RGE	22.27/35S/17E	DRAWN	JKP	07-01-20
			SCALE	AS SHOWN	CHECKED	KK	7-15-20

KENNETH KOHN, P.E.  
FLORIDA P.E. # 51995

Signature & Date



PUBLIC WORKS DEPARTMENT  
ENGINEERING SERVICES  
1022 26th Avenue East, Bradenton, FL 34208

**STORMWATER MAINTENANCE PROGRAM  
TRAILER ESTATES  
AERIAL MAP LOCATION 5**

SHEET NO.

10

H:\Stormwater\Engineering\Sediment\Outfalls-Dredging\2020 Budget-178K\Trailer Estates-2020\Plans.dwg [7/28/2020 10:13 AM]



ELEVATIONS BASED UPON NAVD 1988

NUMBER	DESCRIPTION	DATE	PROJECT #	000-0000000	SURVEYED	XXX	XX/XX/XX
			SURVEY #	000-0000000	DESIGNED	KK	07-01-20
			SEC./TWN./RGE	22.27/35S/17E	DRAWN	JKP	07-01-20
			SCALE	AS SHOWN	CHECKED	KK	7-15-20

KENNETH KOHN, P.E.  
FLORIDA P.E. # 51995

Signature & Date



PUBLIC WORKS DEPARTMENT  
ENGINEERING SERVICES  
1022 26th Avenue East, Bradenton, FL 34208

**STORMWATER MAINTENANCE PROGRAM  
TRAILER ESTATES  
AERIAL MAP LOCATION 9**

SHEET NO.

11