



Financial Management Department  
Purchasing Division  
1112 Manatee Ave W Suite 803  
Bradenton, FL 34205  
Phone: (941) 749-3074  
www.mymanatee.org

Email

June 20, 2016

TO: All Interested Bidders

SUBJECT: Invitation for Bid #16-1731DC  
Master Lift Station 1M Emergency Generator Replacement

ADDENDUM #2


**Bidders are hereby notified that this Addendum shall be acknowledged on the Bid Form and made a part of the above named bidding and contract documents.**

1. Bid Opening is extended to July 1, 2016 at 3:30 P.M., same location.
2. To meet Manatee County's flood requirements, the elevation of the generator platform is raised as revised on the attached plans:
  - Sheet C-6, dated 06/20/2016
  - Sheet E-3, dated 06/17/2016
  - Sheet E-7, dated 06/17/2016
  - Sheet S-2, dated 06/17/2016
  - Sheet S-3, dated 06/17/2016

If you have submitted a bid prior to receiving this addendum you may request in writing that your original, sealed bid be returned to your firm. All sealed bids received will be opened on the date stated.

Bids will be received at Manatee County Purchasing, 1112 Manatee Avenue West, Suite 803, Bradenton, Florida 34205 until **July 1, 2016 at 3:30 P.M.**

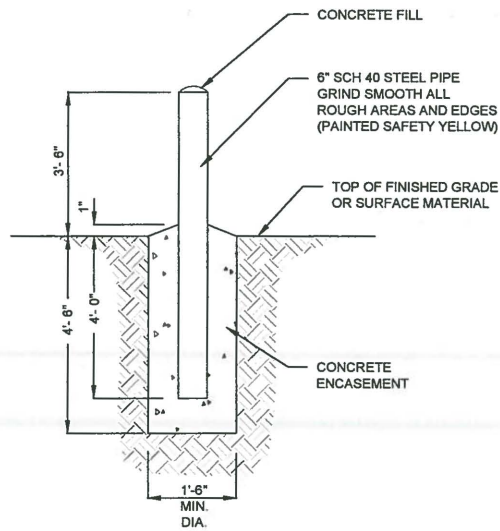
Sincerely,

  
Melissa M. Wendel, CPPO *for*  
Purchasing Official

/dcr

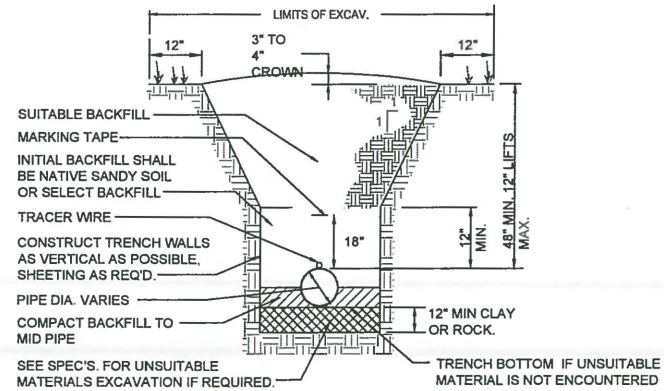
Attachments





TYPICAL BOLLARD DETAIL

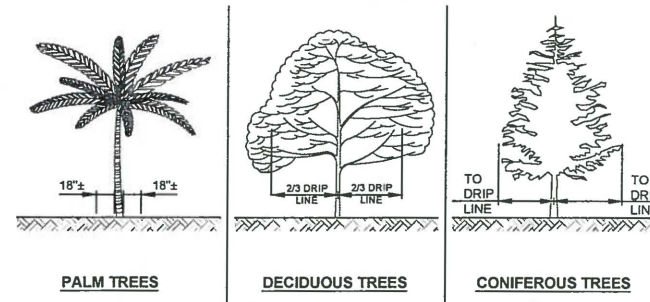
NTS



UNPAVED AREAS

PIPE BEDDING & TRENCH DETAILS

NTS



PALMS AND SMALL TREES

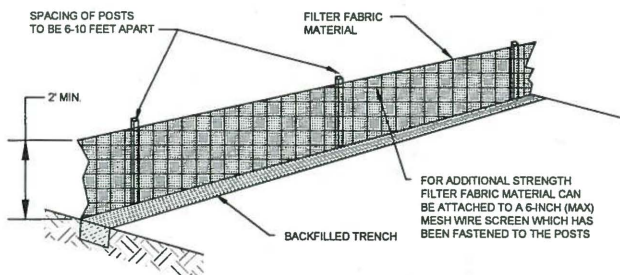
LARGE TREES AND BUSHES

NOTES:

1. NO TRUCKS OR HEAVY EQUIPMENT ALLOWED WITHIN BARRIERS, ONLY HAND LABOR ALLOWED.
2. NO CONSTRUCTION MATERIALS, SOILS DEPOSITS, OR SOLVENTS SHALL BE ALLOWED WITHIN BARRIERS.
3. BARRIERS ARE TO BE IN PLACE PRIOR TO ANY CONSTRUCTION ACTIVITIES WITHIN TREE AREA.
4. BARRIERS ARE TO STAY IN PLACE UNTIL ALL PAVING, CONSTRUCTION, AND HEAVY EQUIPMENT IS REMOVED FROM THE AREA.

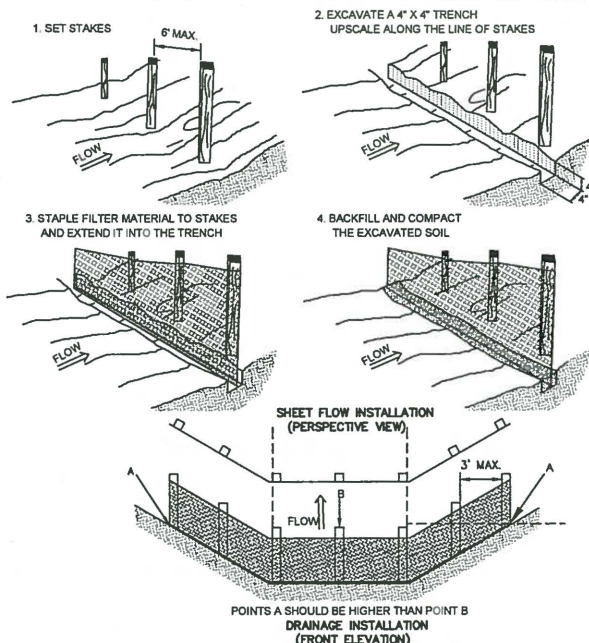
TREE PROTECTION BARRIERS DETAIL

NTS



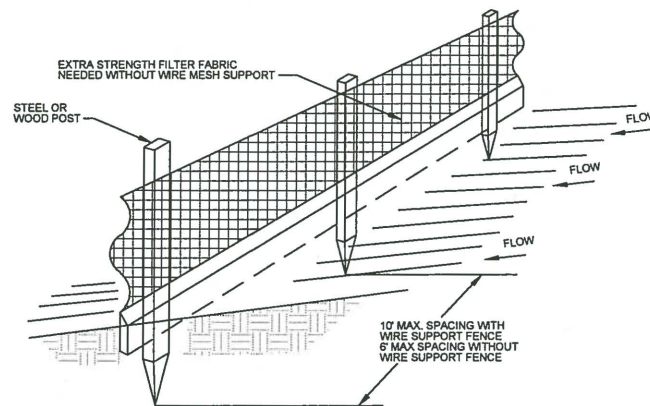
INSTALLING A FILTER FABRIC SILT FENCE

NTS



INSTALLING A FILTER FABRIC SILT FENCE

NTS



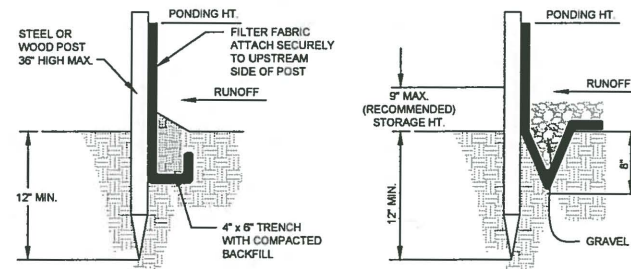
STANDARD DETAIL  
TRENCH WITH NATIVE BACKFILL

NOTES:

1. INSPECT AND REPAIR FENCE AFTER EACH STORM EVENT AND REMOVE SEDIMENT WHEN NECESSARY.
2. REMOVED SEDIMENT SHALL BE DEPOSITED TO AN AREA THAT WILL NOT CONTRIBUTE SEDIMENT OFF-SITE AND CAN BE PERMANENTLY STABILIZED.
3. SILT FENCE SHALL BE PLACED ON SLOPE CONTOURS TO MAXIMIZE PONDING EFFICIENCY.

INSTALLING A FILTER FABRIC SILT FENCE

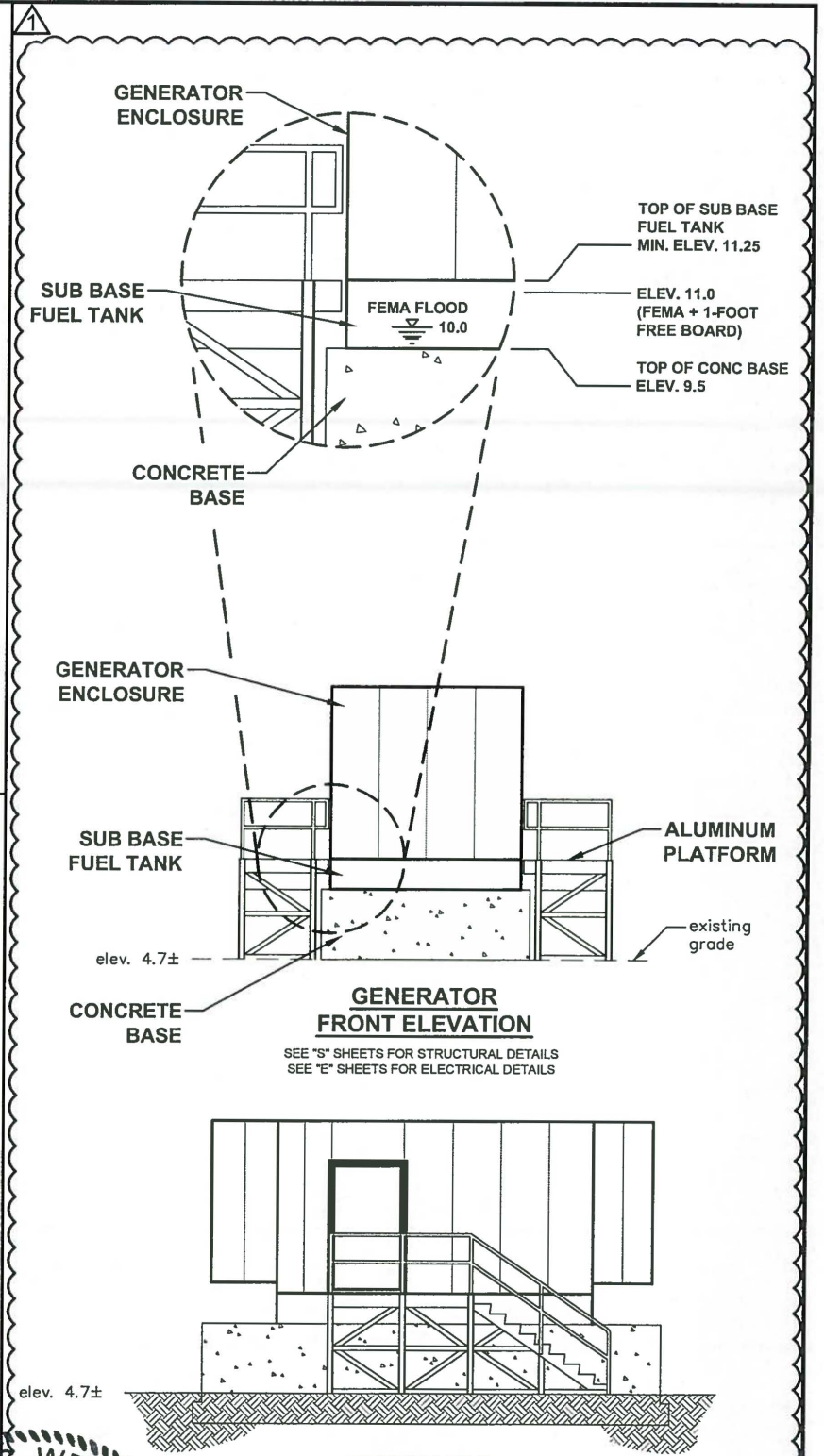
NTS



ALTERNATE DETAIL  
TRENCH WITH GRAVEL

EROSION CONTROL NOTES

1. IT IS THE RESPONSIBILITY OF THE CONTRACTOR TO CONTROL AND PREVENT EROSION AND THE TRANSPORTATION OF SEDIMENT TO SURFACE DRAINS AND OUTFALLS. (REFER TO CONSTRUCTION PLANS, DETAILS, SPECIFICATIONS, AND APPROVED PERMITS FOR DETAILS.)
2. DURING CONSTRUCTION THE CONTRACTOR SHALL PLACE GEOBALE BARRIERS AROUND SUCH STRUCTURES TO PREVENT EROSION AND THE MIGRATION OF SEDIMENT TO POINTS OUTSIDE THE CONSTRUCTION AREA. THE BARRIERS SHALL BE PLACED IN ACCORDANCE WITH THE REQUIREMENTS OF FDOT INDEX NO. 102 OR AS DIRECTED BY THE ENGINEER.
3. THE CONTRACTOR SHALL PROVIDE SILT BARRIERS AS DIRECTED BY THE ENGINEER TO CONTROL EROSION AND SEDIMENTATION FROM TAKING PLACE OUTSIDE THE LIMITS OF THE PROJECT. THE SILT BARRIERS SHALL BE PLACED IN ACCORDANCE WITH THE REQUIREMENTS OF FDOT INDEX NO. 102, 103 AND 104 OR AS DIRECTED BY THE OWNER.
4. REQUIRED EROSION CONTROL MEASURES MUST REMAIN INTACT THROUGHOUT CONSTRUCTION. FAILURE TO INSTALL OR PROPERLY MAINTAIN REQUIRED EROSION CONTROL WILL RESULT IN ENFORCEMENT ACTION WHICH MAY INCLUDE CITATIONS AS PROVIDED BY APPLICABLE LOCAL ORDINANCE AND CHAPTERS 40D-4 AND 40D-40, F.A.C. INITIATION OF CIVIL PENALTY PROCEDURES PURSUANT TO SECTION 373.129, F.A.C. CAN RESULT IN A PENALTY NOT TO EXCEED \$10,000 PER OFFENSE WITH EACH DATE DURING WHICH SUCH VIOLATION OCCURS CONSTITUTING A SEPARATE OFFENSE.
5. ALL WORK PERFORMED SHALL COMPLY WITH THE REGULATIONS AND ORDINANCES OF THE VARIOUS GOVERNMENTAL AGENCIES HAVING JURISDICTION OVER THE WORK.



elev. 4.7±

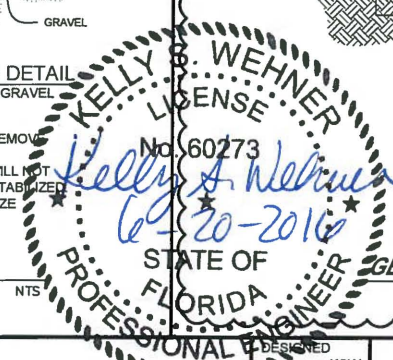
elev. 4.7±

GENERATOR FRONT ELEVATION

SEE "S" SHEETS FOR STRUCTURAL DETAILS  
SEE "E" SHEETS FOR ELECTRICAL DETAILS

GENERATOR SIDE ELEVATION

SEE "S" SHEETS FOR STRUCTURAL DETAILS  
SEE "E" SHEETS FOR ELECTRICAL DETAILS



GENERATOR ENCLOSURE DETAILS

NTS

NO.	DESCRIPTION	BY	DATE
1	REVISION PER ADDENDUM No. 2	DES	6/2016

MANATEE COUNTY

MLS 1M EMERGENCY  
GENERATOR REPLACEMENT

**Cardno**  
Shaping the Future  
380 PARK PLACE BLVD, STE 300, CLEARWATER, FL 33759  
TEL: (727) 531-3505 (800) 861-8314  
www.cardno.com Certificate of Authorization No. 29915

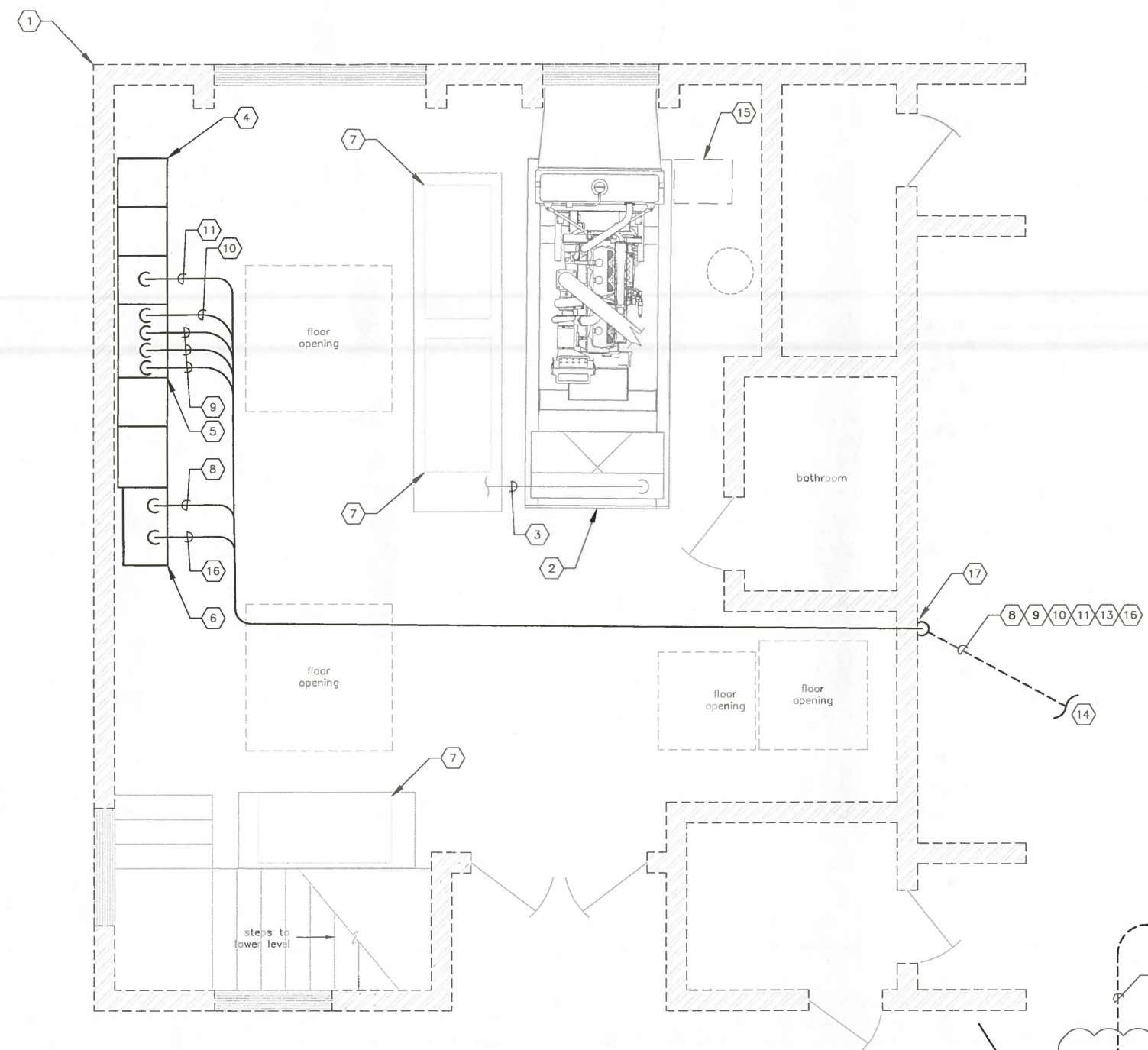
KELLY S. WEHNER, PE DATE  
LIC. NO.: 60273

DESIGNED	KSW
DRAWN	DES
Q.C.	DRM
APPROVED	

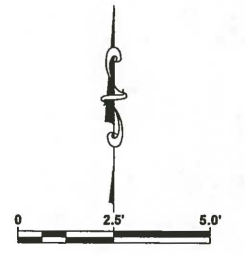
DETAIL SHEET

PROJECT NO:	00193009.05
DATE:	MARCH 2016
SHEET NO:	C-6





- KEYED NOTES:**
- 1 EXISTING BUILDING FOR LIFT STATION 1M.
  - 2 EXISTING GENERATOR SET TO BE REMOVED. REFER TO CIVIL/MECHANICAL SHEETS FOR DETAILS.
  - 3 EXISTING GENERATOR 480V FEEDER TO BE REMOVED. CONTRACTOR SHALL REMOVE ENTIRE LENGTH OF CONDUCTORS AND CONDUIT. CONTRACTOR SHALL ALSO REMOVE ALL ANCILLARY EQUIPMENT CONDUCTORS AND CONDUIT (BATTERY CHARGER CIRCUIT, GENERATOR STARTER CIRCUIT, ETC., (NOT SHOWN FOR CLARITY)). CONTRACTOR SHALL REMOVE ENTIRE LENGTH OF CONDUCTORS AND CONDUIT.
  - 4 EXISTING MOTOR CONTROL CENTER (MCC) FOR LIFT STATION 1M. REFER TO SHEET E-5 FOR MCC ELEVATION AND WORK REQUIRED.
  - 5 EXISTING TRANSFER SWITCH FOR LIFT STATION 1M. TRANSFER SWITCH TO BE REPLACED. REFER TO SHEET E-5 FOR WORK REQUIRED.
  - 6 EXISTING PLC CONTROL CABINET. REFER TO SHEET E-5 FOR ELEVATION OF PLC CONTROL CABINET ELEVATION AND WORK REQUIRED.
  - 7 EXISTING VARIABLE FREQUENCY DRIVE (VFD) NO WORK REQUIRED.
  - 8 PROVIDE AND INSTALL 8-#12 THWN CU + 1-#12 THWN CU GND IN 3/4" CONDUIT. FIELD ROUTE CONDUIT FROM PLC CONTROL CABINET TO NEW GENERATOR FOR SCADA MONITORING OF GENERATOR. 2-#12 FOR GENERATOR RUNNING INDICATION, 2-#12 FOR GENERATOR FAIL INDICATION AND 4-#12 SPARE.
  - 9 PROVIDE AND INSTALL THREE (3) PARALLEL RUNS CONSISTING OF 3-#350 kcmil THWN CU + 1-#2/0 THWN CU GND IN 3" CONDUIT. FIELD ROUTE CONDUIT FROM EXISTING TRANSFER SWITCH TO NEW GENERATOR FOR 480V STANDBY POWER FEEDER CIRCUIT.
  - 10 PROVIDE AND INSTALL 4-#12 THWN CU + 1-#12 THWN CU GND IN 3/4" CONDUIT. FIELD ROUTE CONDUIT FROM EXISTING TRANSFER SWITCH TO NEW GENERATOR FOR GENERATOR START SIGNAL. CONTRACTOR TO COORDINATE/VERIFY GENERATOR STARTER CONTROL REQUIREMENTS WITH GENERATOR AND TRANSFER SWITCH MANUFACTURERS.
  - 11 PROVIDE AND INSTALL 3-#8 THWN CU + 1-#10 THWN CU GND IN 1" CONDUIT. FIELD ROUTE CONDUIT FROM NEW MCC FEEDER CIRCUIT BREAKER TO NEW GENERATOR DISCONNECT SWITCH FOR 480V ANCILLARY EQUIPMENT FEEDER CIRCUIT.
  - 12 GENERATOR EMERGENCY SHUT DOWN PUSH BUTTON STATION. MAINTAINED 2 POSITION SWITCH WITH 1-5/8" DIA. OPERATOR, 1 N.O. & 1 N.C. CONTACT MOUNTED IN A NEMA 4X SS ENCLOSURE, 4'-6" ABOVE FINISHED CONCRETE PAD GRADE. REFER TO SHEET E-7 FOR DETAILS.
  - 13 PROVIDE AND INSTALL 2-#12 THWN CU + 1-#12 THWN CU GND IN 3/4" CONDUIT. FIELD ROUTE CONDUIT FROM PUSH BUTTON STATION TO NEW GENERATOR FOR SHUT DOWN SIGNAL.
  - 14 FOR CONTINUATION OF CONDUITS TO GENERATOR REFER TO SHEET E-5.
  - 15 EXISTING DAY TANK TO BE REMOVED. REFER TO CIVIL/MECHANICAL SHEETS FOR DETAILS.
  - 16 PROVIDE AND INSTALL 8-#12 THWN CU + 1-#12 THWN CU GND IN 3/4" CONDUIT TO EXISTING PLC CONTROL CABINET FOR SCADA MONITORING OF GENERATOR BASE TANK. 2-#12 BASE TANK LEAK DETECTION ALARM, 2-#12 FOR BASE TANK LOW LEVEL ALARM, 2-#12 FOR BASE TANK HIGH LEVEL ALARM AND 2-#12 SPARE. CONTRACTOR SHALL COORDINATE/VERIFY CONNECTION LOCATION AND TYPE WITH ENCLOSURE MANUFACTURER.
  - 17 CORE DRILL PENETRATION 1/4" LARGER THAN CONDUIT DIAMETER. FILL VOID WITH PAINTABLE SILICONE CHALK (BOTH SIDES OF WALL). PAINT WITH COLOR TO MATCH EXISTING WALL. TYPICAL FOR ALL EXTERIOR WALL PENETRATIONS.



**BUILDING GROUND LEVEL FLOOR PLAN**

1  
E-2 | E-3

- GENERAL NOTES :**
1. THIS DRAWING SHOWS EXISTING CONDITIONS USING THE BEST AS-BUILT INFORMATION AVAILABLE AT THE TIME OF DESIGN. IT IS PROVIDED FOR REFERENCE ONLY. THE CONTRACTOR SHALL FIELD VERIFY ALL EXISTING INSTALLATIONS PRIOR TO SUBMITTING A BID AND PRIOR TO COMMENCING CONSTRUCTION.
  2. CONDUIT ROUTING SHOWN IS DIAGRAMMATICAL. CONTRACTOR SHALL FIELD ROUTE CONDUIT BASED ON EXISTING FIELD CONDITIONS. CONTRACTOR SHALL PROVIDE JUNCTION BOXES, PULL BOXES AND/OR CONDUIT LB FITTINGS AS REQUIRED TO MEET THE REQUIREMENTS OF THE NATIONAL ELECTRICAL CODE.

NO.	DESCRIPTION	BY	DATE

**MANATEE COUNTY**

**MLS 1M EMERGENCY GENERATOR REPLACEMENT**

**Cardno**  
Shaping the Future

**CLEARWATER**  
300 PARK PLACE BLVD, STE 300, CLEARWATER, FL 33789  
TEL: (727) 531-3505 (800) 861-8314  
www.cardno.com Certificate of Authorization No. 25915

TIMOTHY THOMAS  
LICENSEE  
No 47079

DESIGNED  
DRAWN  
CHECKED  
APPROVED

TIMOTHY THOMAS, PE  
P.L.C. No. 47079

**BUILDING LAYOUT GROUND LEVEL**

PROJECT NO:  
00193009.05

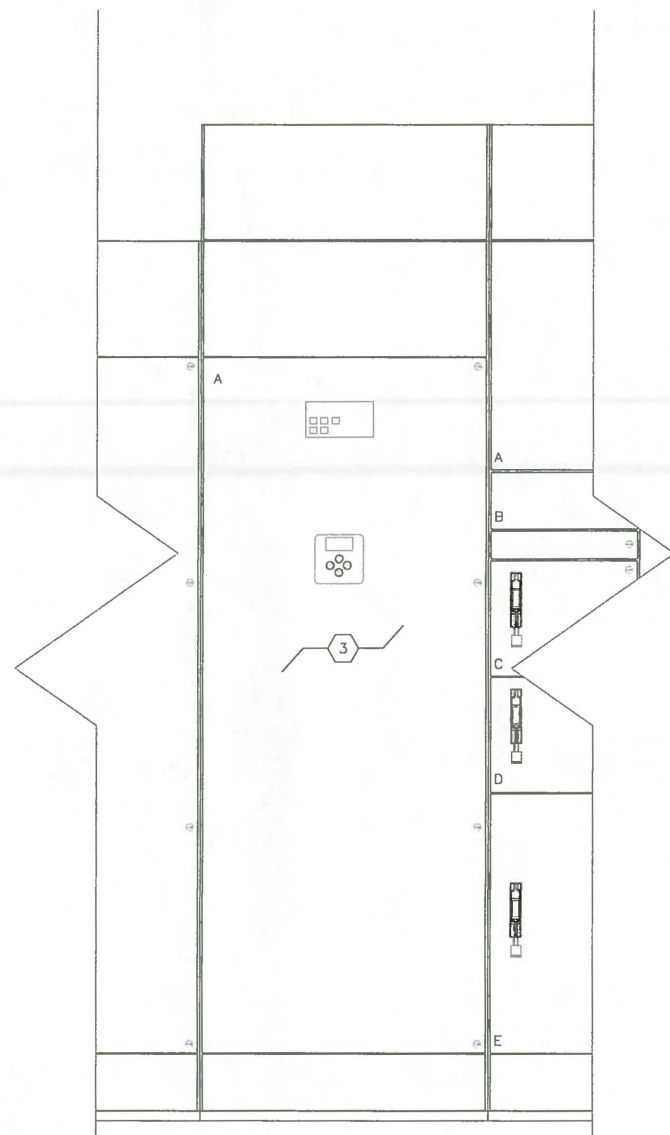
DATE:  
JANUARY 2016

SHEET NO:  
**E-3**

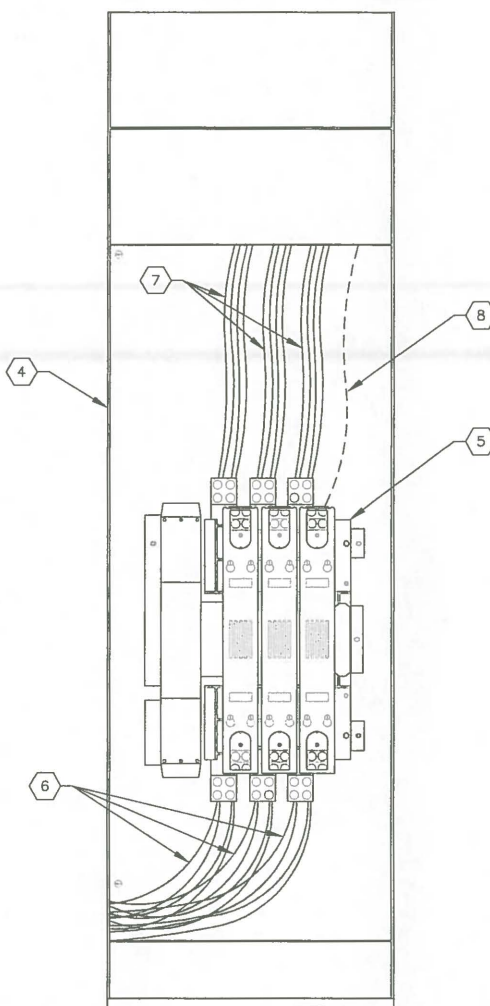
**TRICON ENGINEERING**

771 S. Indian Shores Blvd., STE 601, TAMPA, FL 33623  
813.227.3190 FAX 813.227.9195  
Certificate of Authorization No. 00031028

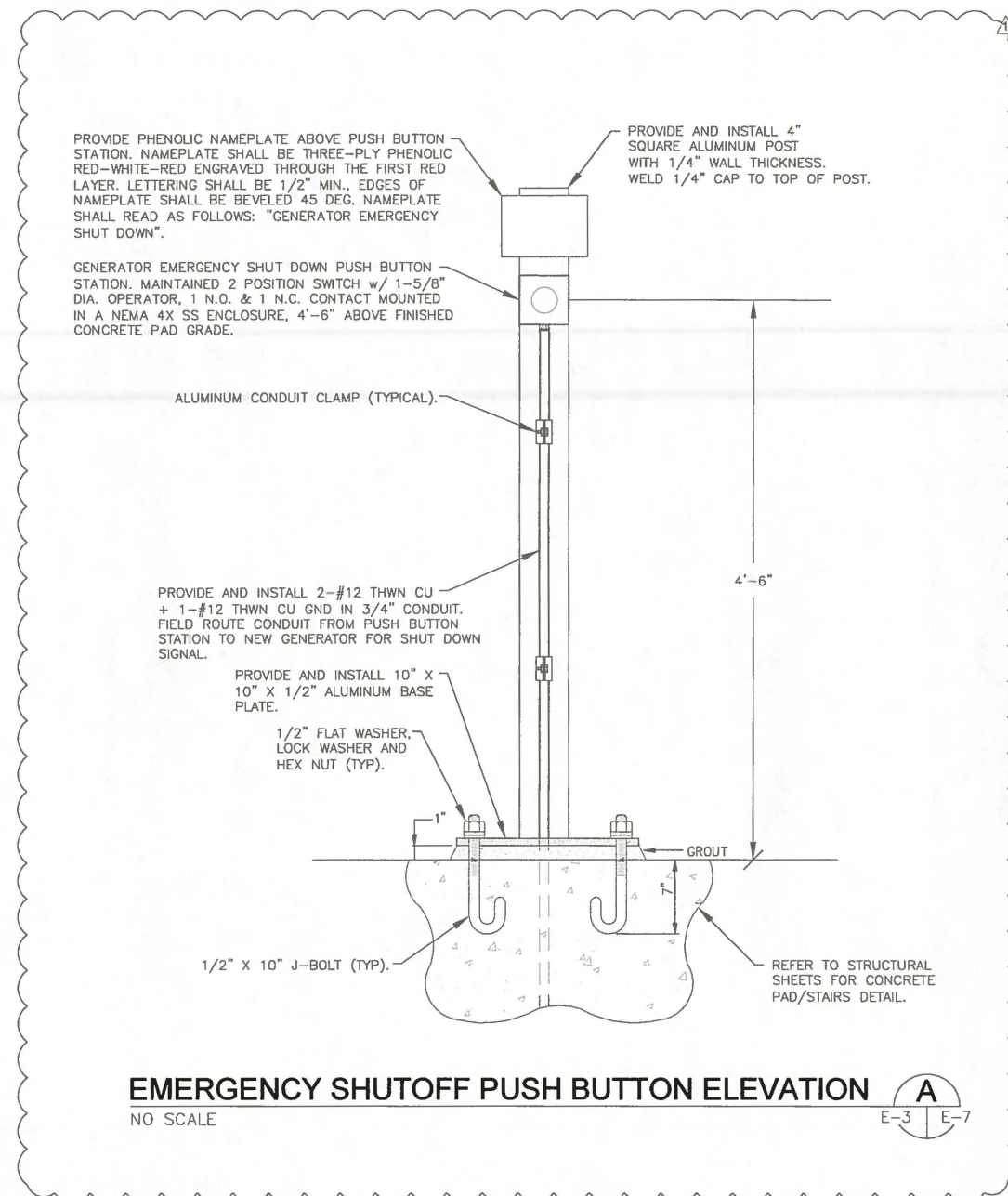




**EXISTING ATS ENCLOSURE ELEVATION**  
 NO SCALE



**EXISTING ATS INTERIOR ELEVATION**  
 NO SCALE



**EMERGENCY SHUTOFF PUSH BUTTON ELEVATION** **A**  
 NO SCALE E-3 | E-7

**KEYED NOTES:**

- |   |   |
|---|---|
| <p>1 EXISTING AUTOMATIC TRANSFER SWITCH (ATS) ENCLOSURE. ENCLOSURE IS INTEGRAL TO SQUARE D MODEL 6 MOTOR CONTROL CENTER FOR LIFT STATION 13A. EXISTING ENCLOSURE FOR 1200A, 480V, 3-POLE, S/N TRANSFER SWITCH TO REMAIN.</p> <p>2 EXISTING USER INTERFACE FOR ATS CONTROL PANEL. USER INTERFACE AND CONTROL PANEL SHALL BE REPLACED. REFER ALSO TO SPECIFICATIONS.</p> <p>3 EXISTING USER CONTROLS AND INDICATORS. USER CONTROLS AND INDICATORS SHALL BE REPLACED. REFER ALSO TO SPECIFICATIONS.</p> <p>4 EXISTING ATS ENCLOSURE SHOWN WITH DOOR OPEN.</p> <p>5 EXISTING 1200A, 480V, 3-POLE, S/N TRANSFER SWITCH TO BE REPLACED.</p> | <p>6 EXISTING NORMAL POWER CONDUCTORS FROM EXISTING MAIN CIRCUIT BREAKER. CONTRACTOR SHALL REMOVE ALL EXISTING NORMAL POWER CONDUCTORS AND REPLACE WITH FOUR (4) PARALLEL RUNS CONSISTING OF 3-#350 kcmil THWN CU.</p> <p>7 EXISTING LOAD SIDE CONDUCTORS. LOAD SIDE CONDUCTORS CONTINUE TO MCC BUS. CONTRACTOR SHALL REMOVE ALL EXISTING LOAD SIDE CONDUCTORS AND REPLACE WITH FOUR (4) PARALLEL RUNS CONSISTING OF 3-#350 kcmil THWN CU.</p> <p>8 EXISTING EMERGENCY POWER CONDUCTORS FROM EXISTING GENERATOR (NOT ALL CONDUCTORS SHOWN FOR CLARITY. CONTRACTOR SHALL REMOVE ALL EXISTING EMERGENCY POWER CONDUCTORS AND REPLACE WITH THREE (3) PARALLEL RUNS CONSISTING OF 3-#350 kcmil THWN CU + 1-2/O THWN CU GND.</p> |
|---|---|

**ATS GENERAL NOTES:**

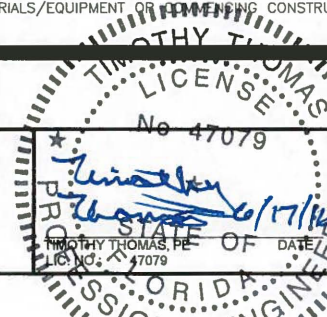
- WITH THE EXCEPTION OF THE ATS ENCLOSURE AND SUPPORTS, THE ENTIRE AUTOMATIC TRANSFER SWITCH SHALL BE REPLACED. THE REPLACEMENT SHALL INCLUDE NOT ONLY THE ATS, BUT THE CONTROL PANEL (AND USER INTERFACE), USER CONTROLS AND INDICATORS, WIRING HARNESSSES, ETC.
- THE CONTRACTOR SHALL PROVIDE LUGS AS REQUIRED TO ACCOMMODATE THE NEW CONDUCTORS TO BE INSTALLED.
- THE CONTRACTOR SHALL CONNECT ALL EQUIPMENT GROUND CONDUCTORS (NOT SHOWN FOR CLARITY).
- CONTRACTOR TO REMOVE ALL EXISTING CONTROL CONDUCTORS FROM EXISTING GENERATOR (TO BE REMOVED) TO EXISTING ATS (TO BE REMOVED). REFER TO OTHER SHEETS FOR CONTROL WIRING REQUIRED BETWEEN NEW ATS AND NEW GENERATOR.
- REFER TO SPECIFICATION SECTION 00800 FOR TEMPORARY POWER REQUIREMENTS.
- CONTRACTOR SHALL DUPLICATE ALL EXISTING CONDUCTOR ROUTES/SIZES/QUANTITIES. CONTRACTOR TO FIELD VERIFY ALL EXISTING CONDITIONS PRIOR TO ORDERING MATERIALS/EQUIPMENT OR BEGINNING CONSTRUCTION.

NO.	DESCRIPTION	BY	DATE
1	REVISED PER ADDENDUM #2	TDT	6-17-16

**MANATEE COUNTY**

**MLS 1M EMERGENCY GENERATOR REPLACEMENT**

**Cardno**  
 Shaping the Future  
 CLEARWATER  
 380 PARK PLACE BLVD, STE 300, CLEARWATER, FL 33709  
 TEL: (727) 531-3905 (800) 861-8314  
 www.cardno.com Certificate of Authorization No. 28915

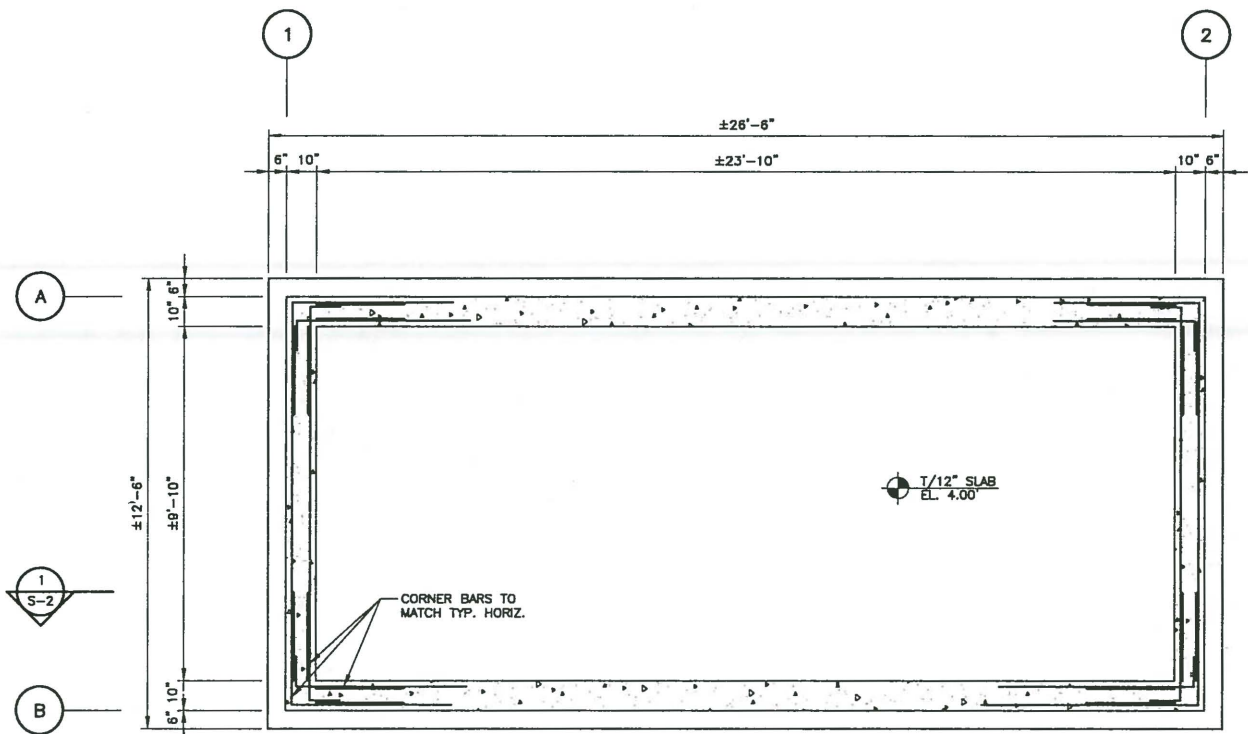


DESIGNED	TDT
DRAWN	JHL
CHECKED	DEV
APPROVED	

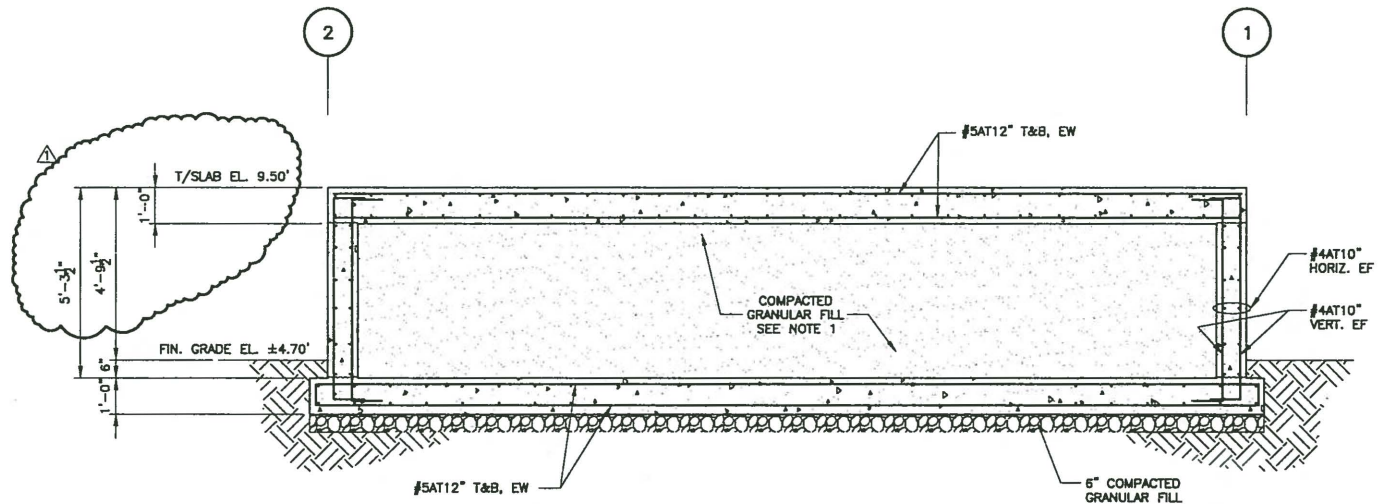
**LIFT STATION 1M  
 ATS REPLACEMENT  
 DETAILS**

PROJECT NO:	00193009.05
DATE:	JANUARY 2016
SHEET NO:	E-7





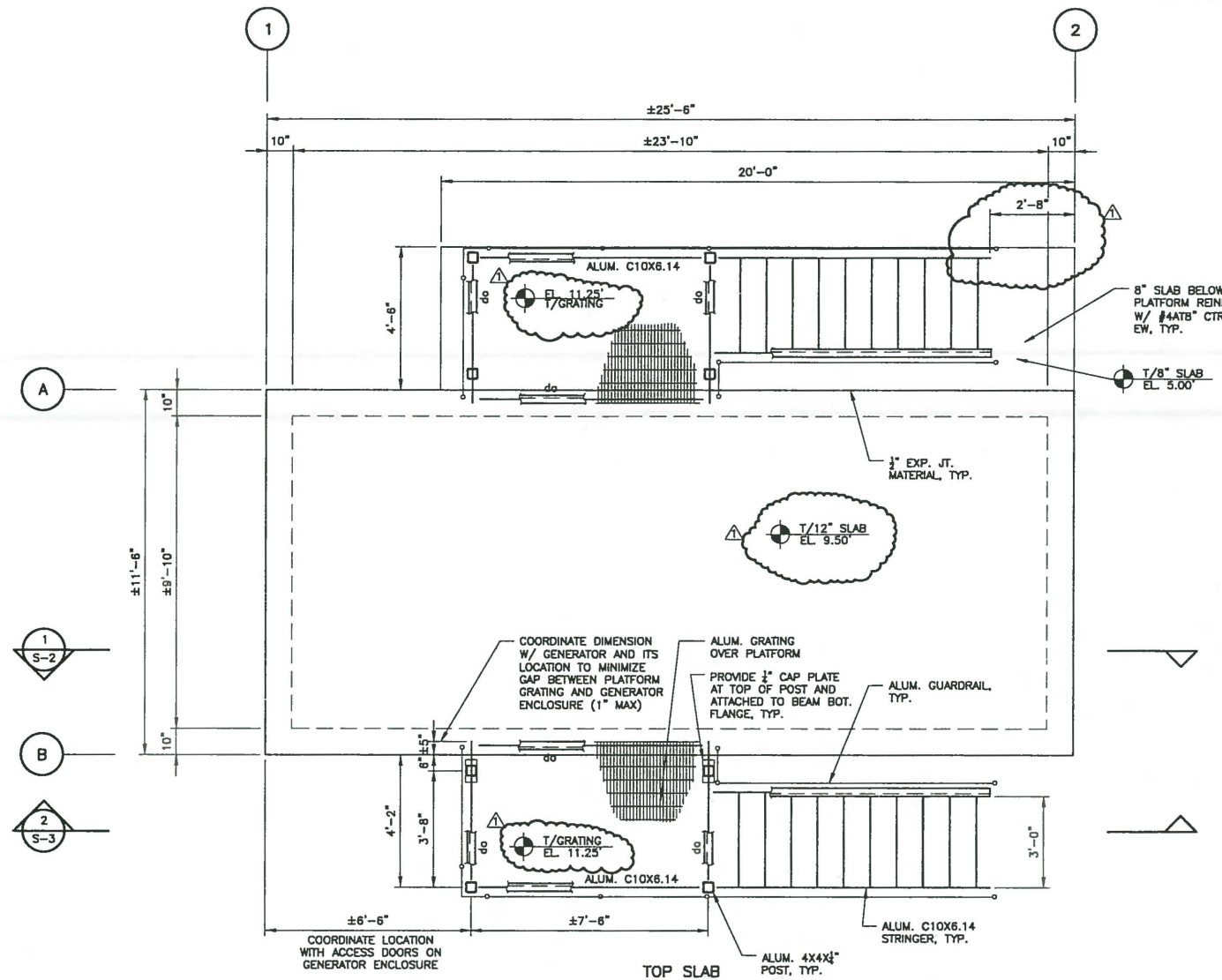
FOUNDATION PLAN  
3/8"=1'-0"



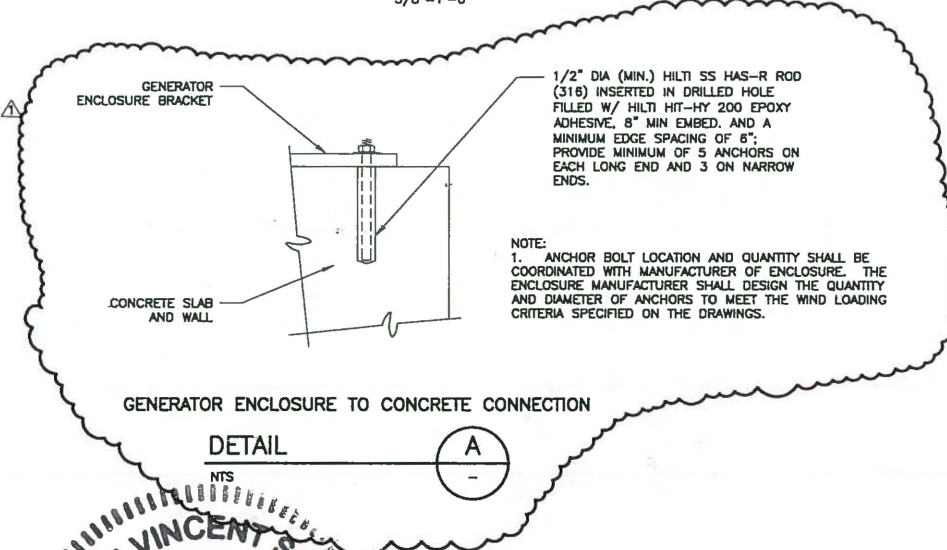
SECTION 1  
1/4"=1'-0"

NOTES:

- BACKFILL SHALL BE CLEAN GRANULAR FILL FREE OF ANY ORGANICS AND DELETERIOUS MATERIAL. BACKFILL SHALL BE COMPACTED IN 8" LIFTS WITH PLATE COMPACTOR, TO 95 PERCENT OF MAXIMUM MODIFIED PROCTOR D-1557 DRY DENSITY.
- SLAB SUPPORTING GENERATOR SHALL BE COORDINATED WITH GENERATOR MANUFACTURER PRIOR TO ANY CONSTRUCTION TO ENSURE MINIMUM DIMENSIONS ARE MET.



TOP SLAB PLAN  
3/8"=1'-0"



GENERATOR ENCLOSURE TO CONCRETE CONNECTION  
DETAIL A

**e/T ENGINEERING TECHNOLOGIES, INC.**  
3551 W. LAKE MARY BLVD., SUITE 210  
LAKE MARY, FL 32746  
PHONE: (407) 322-0500 FAX: (407) 322-0023  
ET PROJECT NO. - 10-141

MANATEE COUNTY

MLS 1-M EMERGENCY GENERATOR REPLACEMENT

**Cardno**  
CLEARWATER Shaping the Future  
380 PARK PLACE BLVD, STE 300, CLEARWATER, FL 33759  
TEL: (727) 531-3505 (800) 861-8314  
www.cardno.com Certificate of Authorization No. 29915

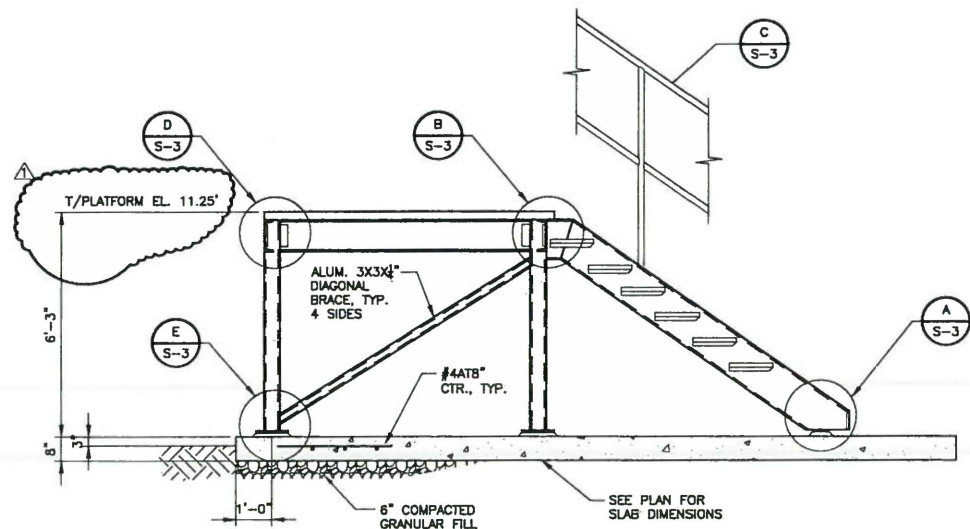
JOHN VINCENT SOBczAK  
LICENSE No. 71407  
STATE OF FLORIDA  
PROFESSIONAL ENGINEER

GENERATOR SLAB PLAN, SECTION, AND DETAILS

PROJECT NO: 00193009.05  
DATE: MARCH 2016  
SHEET NO: S-2

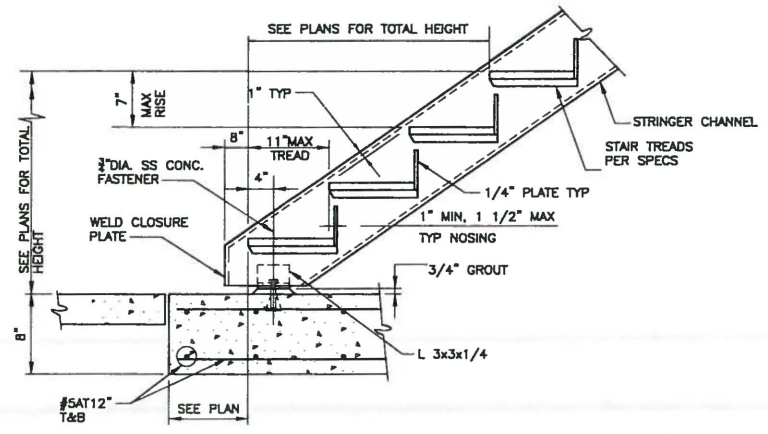
NO.	DESCRIPTION	BY	DATE
1	REVISED PER ADDENDUM #2	JS	06/14/2016





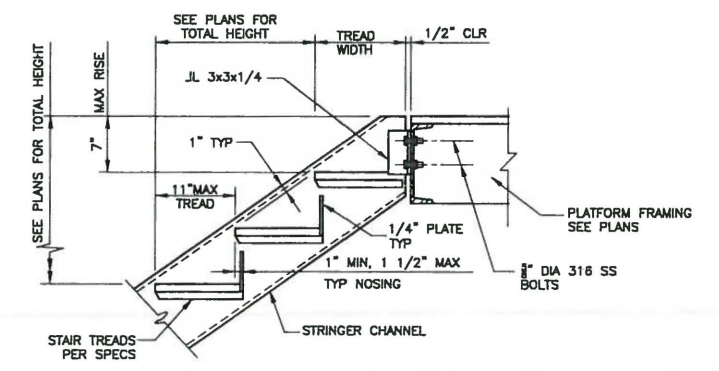
TYPICAL PLATFORM SECTION 2  
1/4"=1'-0"

NOTE:  
1. PROVIDE HANDRAIL AT ALL STAIRS IN COMPLIANCE W/ FLORIDA BUILDING CODE REQUIREMENTS.



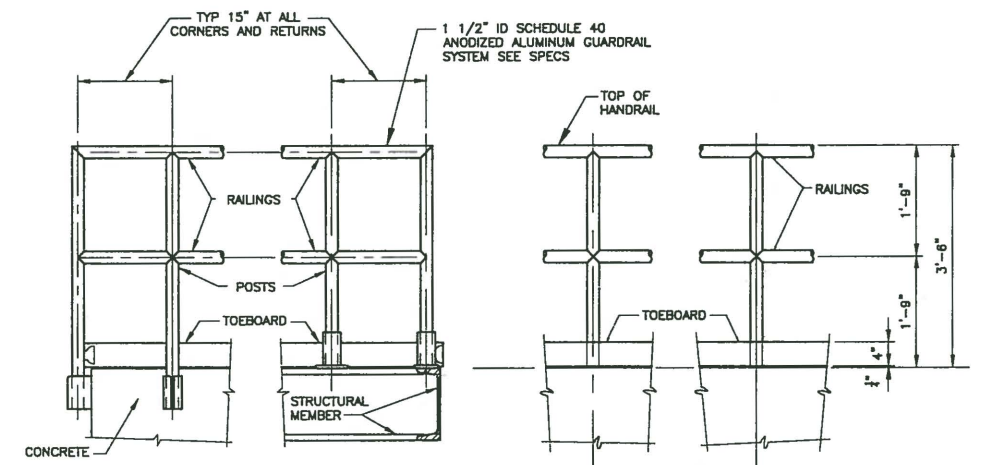
ALUM STAIR STRINGER TO CONCRETE PLATFORM

DETAIL A  
NTS

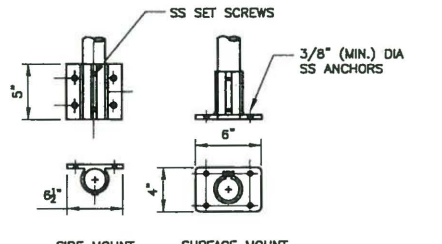


ALUM STAIR STRINGER TO PLATFORM

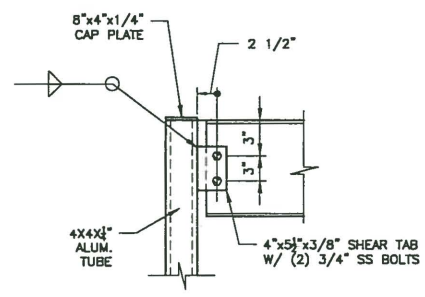
DETAIL B  
NTS



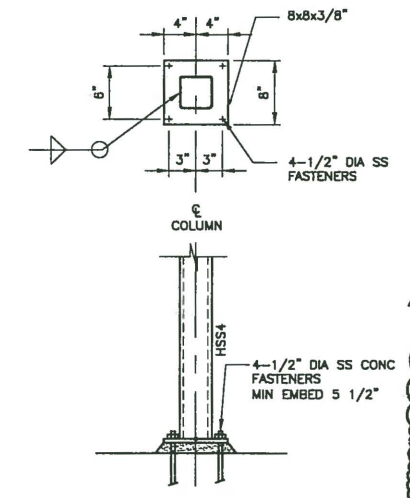
FACE MOUNTED GUARD RAILS  
SURFACE MOUNTED GUARD RAILS  
RAIL-POST ARRANGEMENT  
DETAIL C  
NTS



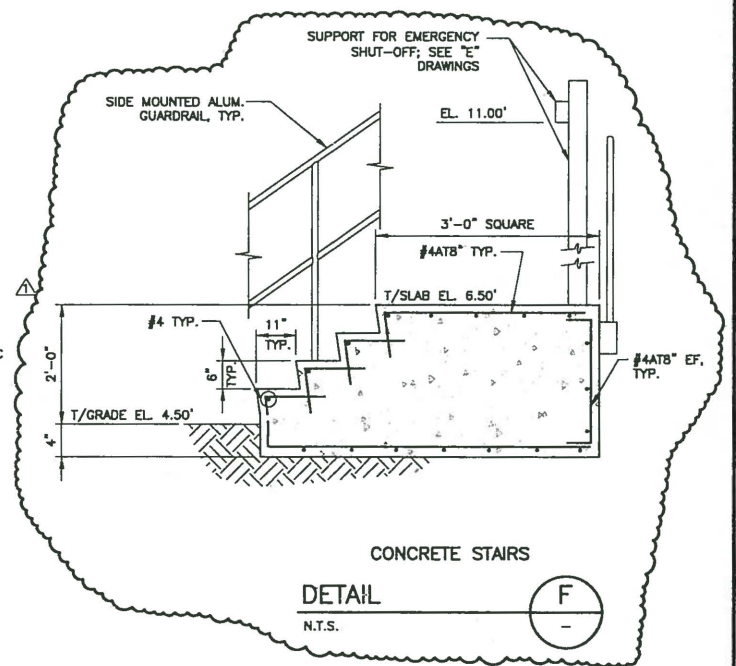
CONNECTIONS  
EXPANSION JT  
BASE CONNECTION NOTE:  
4 ANCHOR PATTERN SHOWN, 2 BOLT PATTERN WILL BE ACCEPTABLE GIVEN THE LOADING REQUIREMENTS SPECIFIED ARE SATISFIED AND A MINIMUM OF 1/2\"/>



TYPICAL FRAMING CONNECTION  
DETAIL D  
NTS



COLUMN TO SLAB CONNECTION  
DETAIL E  
NTS



CONCRETE STAIRS  
DETAIL F  
NTS

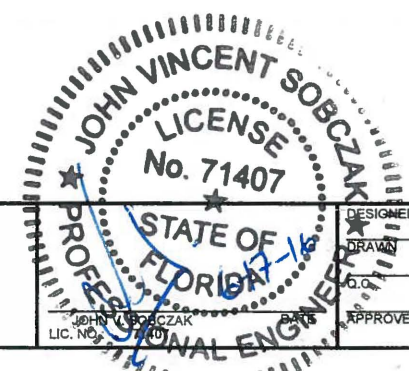
**ENGINEERING TECHNOLOGIES, INC.**  
3551 W. LAKE MARY BLVD., SUITE 210  
LAKE MARY, FL 32746  
PHONE: (407) 322-0500 FAX: (407) 322-0023  
ET PROJECT NO. - 10-141

NO.	DESCRIPTION	BY	DATE
1	REVISED PER ADDENDUM #2	JS	08/14/2016

MANATEE COUNTY

MLS 1-M EMERGENCY GENERATOR REPLACEMENT

**Cardno**  
CLEARWATER  
380 PARK PLACE BLVD, STE 300, CLEARWATER, FL 33759  
TEL: (727) 531-3505 (800) 861-8314  
www.cardno.com Certificate of Authorization No. 29915



DESIGNED JS.  
DRAWN JS.  
CHECKED BE.  
APPROVED

GENERATOR SLAB PLAN, SECTION, AND DETAILS

PROJECT NO: 00193009.05  
DATE: MARCH 2016  
SHEET NO: S-3