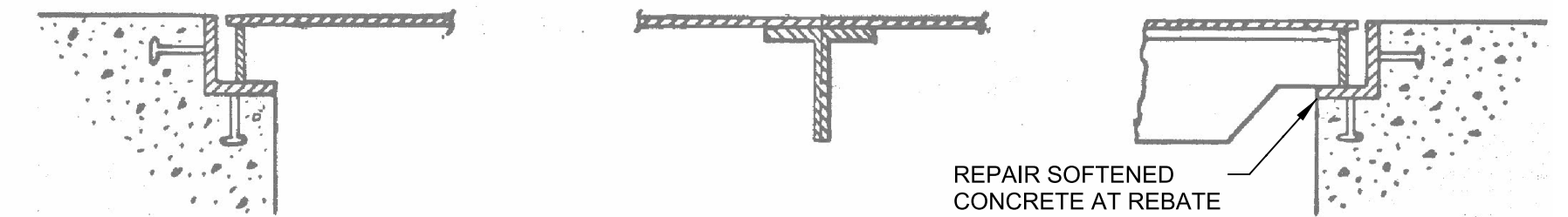


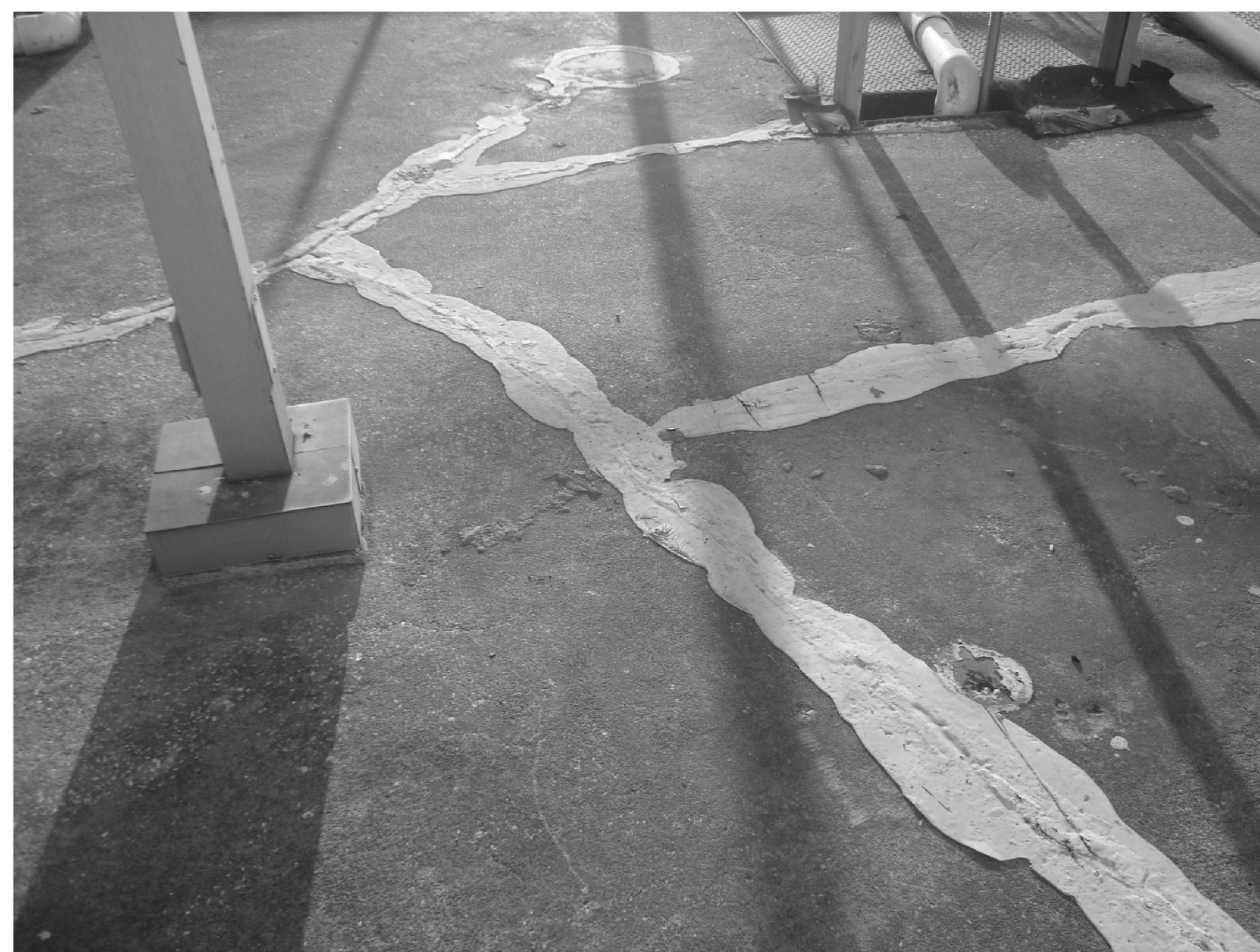
KEY NOTES:

- 1 INSTALL ANTI-SLIP SAFETY TREADS ON STAIRS FROM WOOSTER PRODUCTS STARMASTER TYPE 333 WITH TAPCON SCREWS WITH RIE COATING FOR CORROSIVE ENVIRONMENT AND GRAINGER SURE-FOOT STAR TREAD ADHESIVE. CONTRACTOR TO ENSURE THAT STAIRS AND LANDING ARE SLOPED TO PROVIDE DRAINAGE TO ELIMINATE PONDING. THE SLOPE SHALL NOT BE MORE THAN 1:48 OR 1/4 INCH PER 12 INCHES
- 2 SEE DRAWING S-02 FOR WORK ASSOCIATED WITH THE 2 GRIT CHAMBERS.
- 3 REMOVE HANDRAIL AS REQUIRED TO PLACE A NEW CONCRETE CURB. REPLACE EXISTING HANDRAIL AFTER CURB INSTALLATION.



**A** DETAIL  
SCALE: NOT TO SCALE  
FILE:

**A** PLAN  
SCALE: 1/4" = 1'-0"  
FILE:



**B** REPAIR DAMAGED AREAS



**C** REPAIR CRACKS IN CONCRETE



**D** REPAIR SOFTENED CONCRETE AT REBATE

REV	DATE	BY	DESCRIPTION
1	SEPT 2013		ADDENDUM NO.1

DESIGNED	JS
DRAWN	DVP
CHECKED	EP
DATE	MARCH 2013



MANATEE COUNTY  
 SWWRF HEADWORKS REHABILITATION  
 STRUCTURAL  
 TOP OF STRUCTURE PLAN

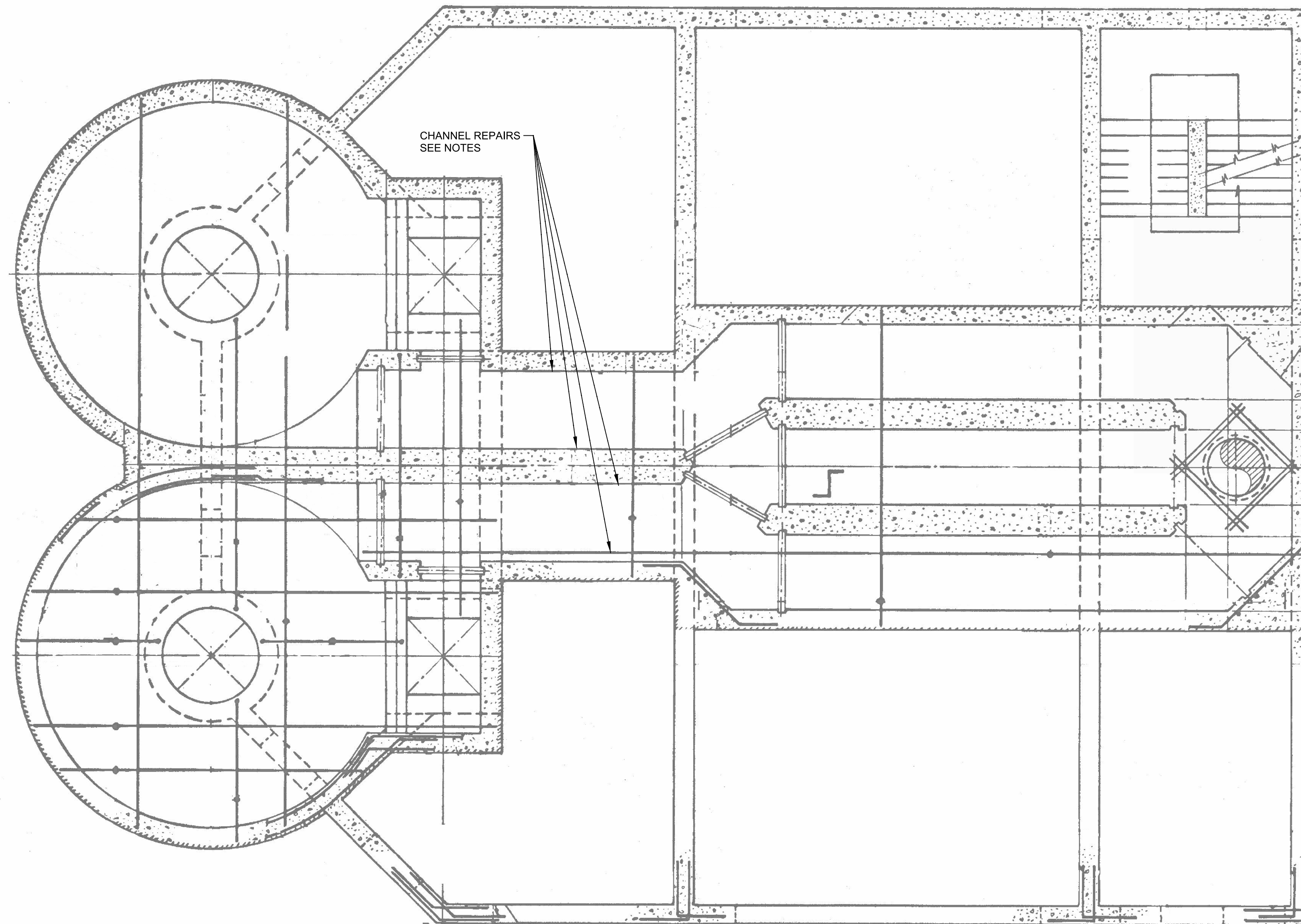
VERIFY SCALES	JOB NO. 7880K10
BAR IS ONE INCH ON ORIGINAL DRAWING	DRAWING NO. S-01
0 1" IF NOT ONE INCH ON THIS SHEET, ADJUST SCALES ACCORDINGLY	

Plot Date: 11-SEP-2013 5:03:15 PM

User: DPerry

Model: Layout1 ColorTable: gshade.ctb DesignScript: Carollo Std Pen\_v0905.pen PlotScale: 1:1

LAST SAVED BY: dperry

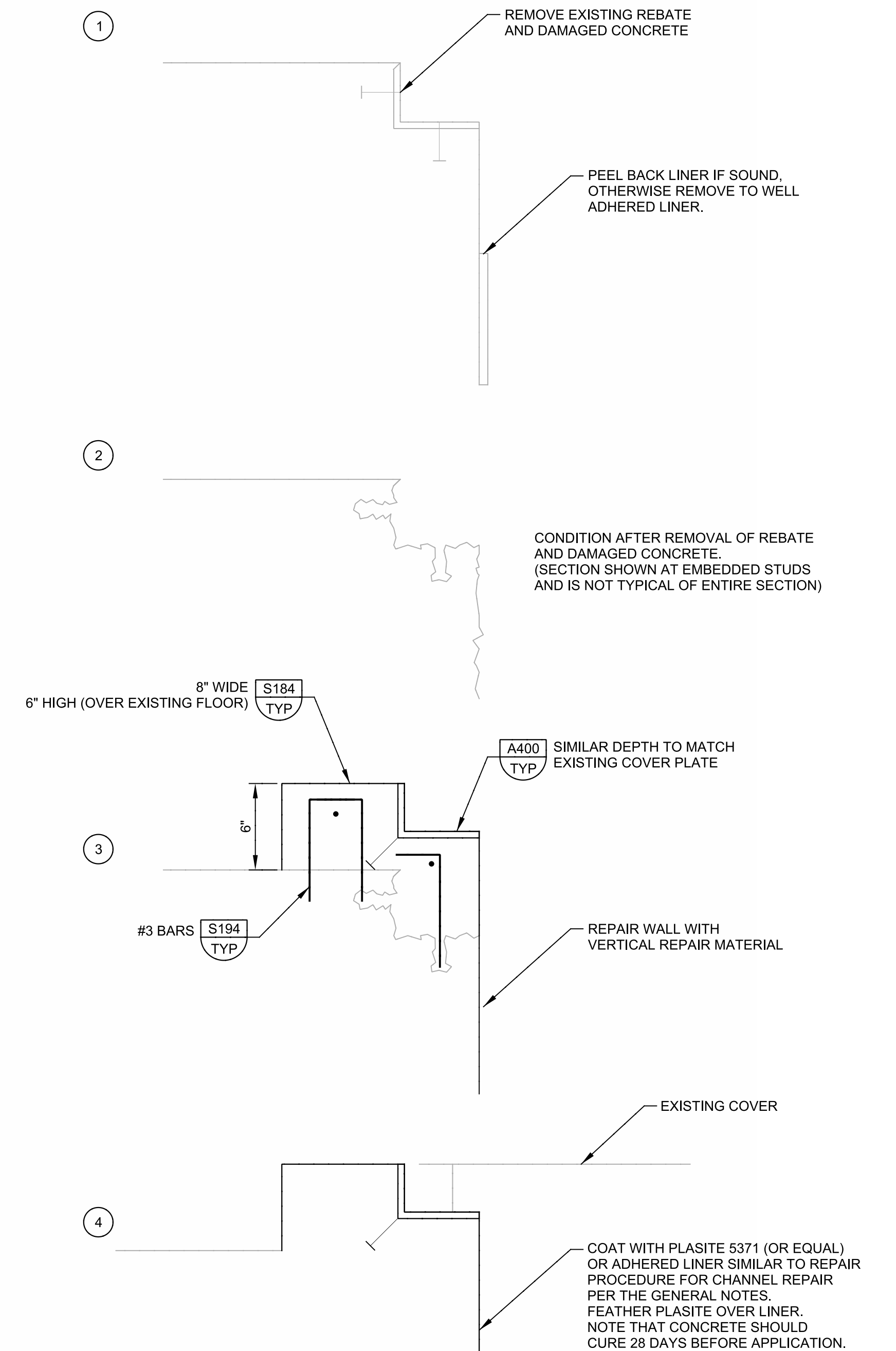


**A PLAN**  
SCALE: 1/4" = 1'-0"  
FILE:

**GENERAL NOTES:**

1. DETERMINE DAMAGED AREAS BY:  
A. CHECKING FOR SOFT MATERIAL WITH HAMMER.  
B. OBVIOUS SIGNS OF DAMAGE.
2. MARK DAMAGED AREAS
3. REMOVE INFLUENT CHANNELS FLOORS AND WALLS LINER WHERE DAMAGED.
4. BLAST SOFT OR OTHERWISE DAMAGED CONCRETE TO SOLID SUBSTRATE USING HIGH PRESSURE WATER.
5. REPAIR CONCRETE WITH A REPAIR MORTAR AND LET CURE.
6. REPLACE LINER WITH ARROW LOCK OR EQUAL. ADHERE TO REPAIR MORTAR AND SEAL JOINTS USING APPROVED MANUFACTURER'S PROCEDURES.
7. LINE INFLUENT CHANNELS FLOORS, AND WALLS WITH HYDROGEN SULFIDE RESISTANT COATING PER SPECIFICATION 09984.
8. HOLIDAY TEST ENTIRE CHANNEL, INCLUDING REPAIRED REGIONS, AND REPAIR PINHOLES AND OTHER INDICATIONS.
9. COUNTY WILL ISOLATE INDIVIDUAL CHANNELS AND BY-PASS INFLUENT PORTION OF THE CHANNEL TO ALLOW FOR LINER AND CONCRETE REPAIRS.

**GRIT CHAMBERS (2) REPAIR SEQUENCE**



DESIGNED	JS	
DRAWN	DVP	
CHECKED	EP	
DATE	MARCH 2013	
REVISION	DATE	DESCRIPTION
1	SEPT 2013	ADDENDUM NO.1

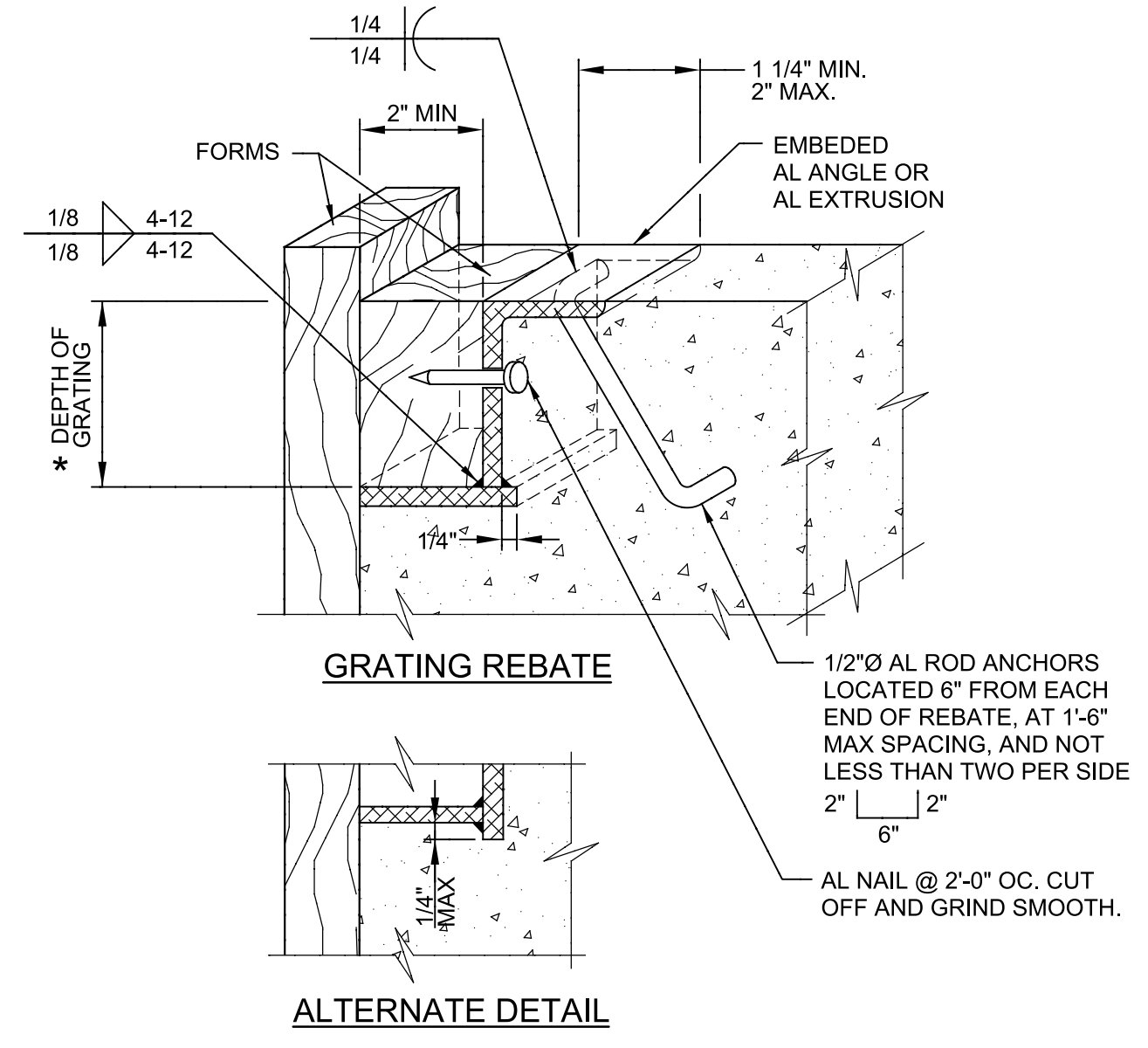
PROJECT NO. 7880K10 FILE NAME: 7880K10-S-02.dgn



MANATEE COUNTY  
 SWWRF HEADWORKS REHABILITATION  
 STRUCTURAL  
 INTERMEDIATE PLAN

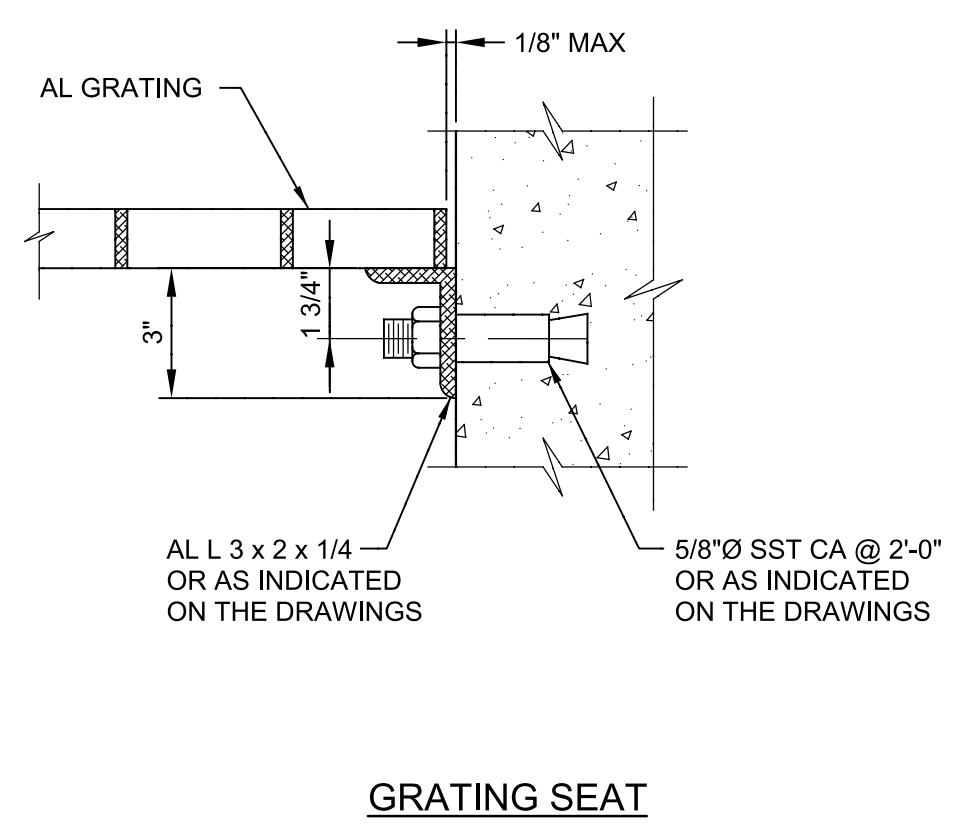
VERIFY SCALES  
 BAR IS ONE INCH ON ORIGINAL DRAWING  
 0 1"  
 IF NOT ONE INCH ON THIS SHEET, ADJUST SCALES ACCORDINGLY

JOB NO.  
7880K10  
 DRAWING NO.  
S-02



- NOTES:**
- FOR AL GRATING, SEE SPECIFICATIONS.
  - REBATE ANGLE SHALL BE CONTINUOUS AROUND ENTIRE OPENING.
  - ANGLE AND BEARING PLATE SHALL BE 1/4" MIN THICK.
  - REBATE MAY BE EXTRUDED, SUBJECT TO ENGINEER'S ACCEPTANCE.
  - COAT ALUMINUM SURFACES IN CONTACT WITH CONCRETE AS SPECIFIED.
  - \* = DIMENSION AS REQUIRED BY GRATING MANUFACTURER.

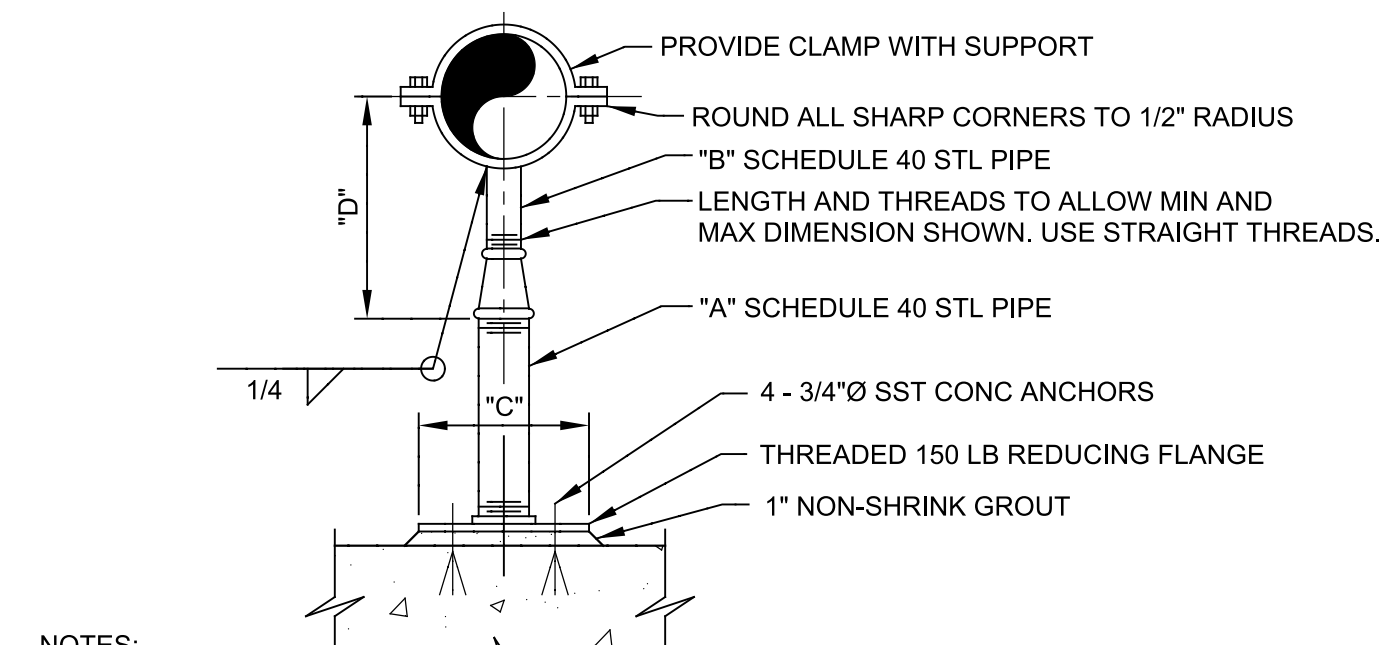
**A400 ALUMINUM GRATING REBATE AND SEAT**  
TYP NS SHEET 1 OF 2 06/06/13



**A400 ALUMINUM GRATING REBATE AND SEAT**  
TYP NS SHEET 2 OF 2 06/06/13

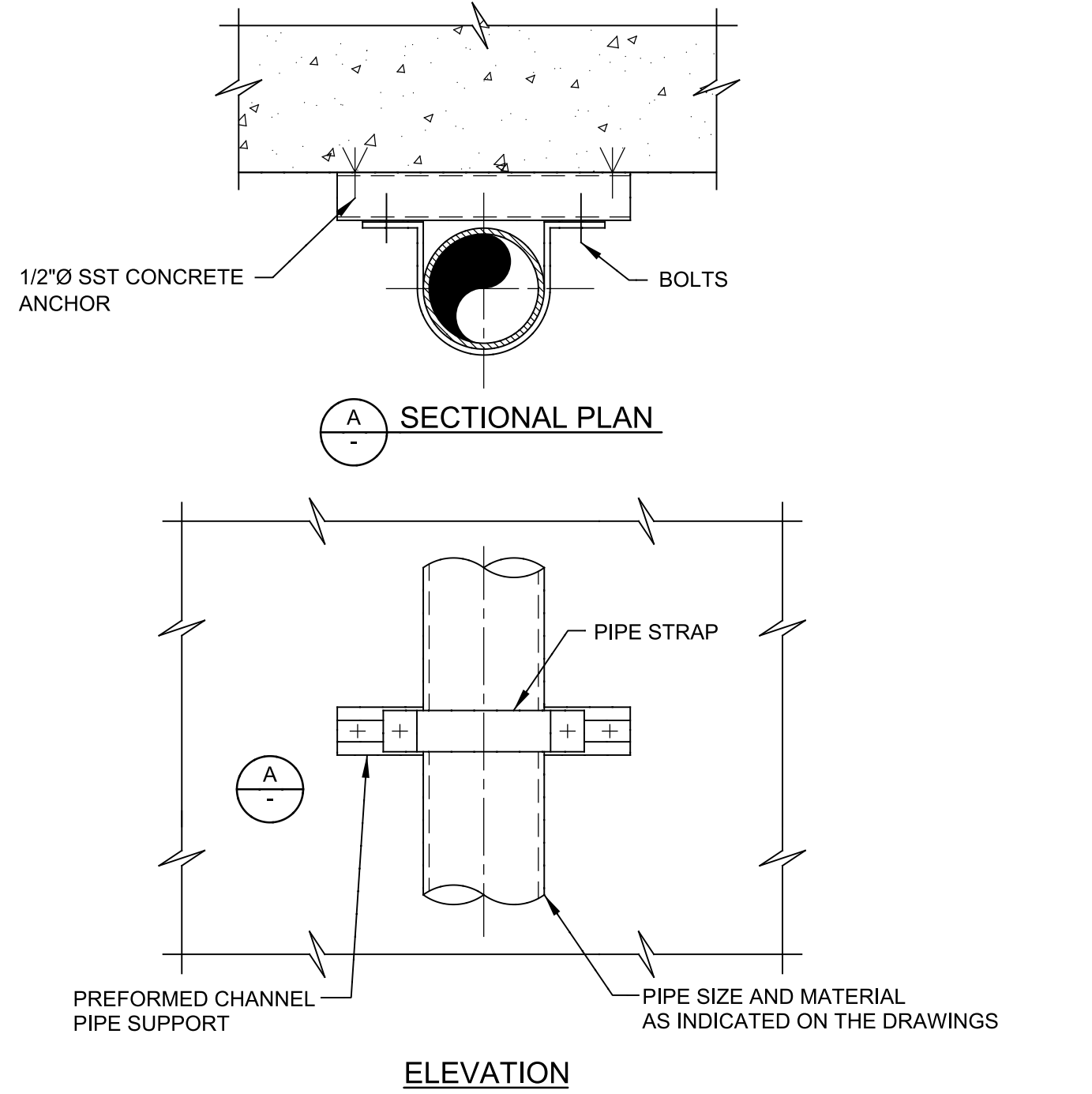
**ADJUSTABLE PIPE SADDLE SUPPORT SCHEDULE (INCHES)**

SIZE OF SUPPORTED PIPE	PIPE SIZE "A"	PIPE SIZE "B"	"C"	"D"	
				MINIMUM	MAXIMUM
2 1/2 *	2 1/2	1 1/2	9	8	13
3	2 1/2	1 1/2	9	8 1/2	13 1/2
3 1/2	2 1/2	1 1/2	9	8 1/2	13 1/2
4	3	2 1/2	9	9 1/2	14
6	3	2 1/2	9	10 1/2	15 1/2
8	3	2 1/2	9	11 1/2	16 1/2
10	3	2 1/2	9	13 1/2	18 1/2
12	3	2 1/2	9	15	19 1/2
14	4	3	11	16 1/2	20 1/2
16	4	3	11	17 1/2	22 1/2
18	6	3 1/2	13 1/2	19 1/2	24
20	6	3 1/2	13 1/2	21	25 1/2
24	6	4	13 1/2	23 1/2	28 1/2
30	6	4	13 1/2	27	31 1/2
32	6	4	13 1/2	28 1/2	32 1/2
36	6	4	13 1/2	30 1/2	34 1/2



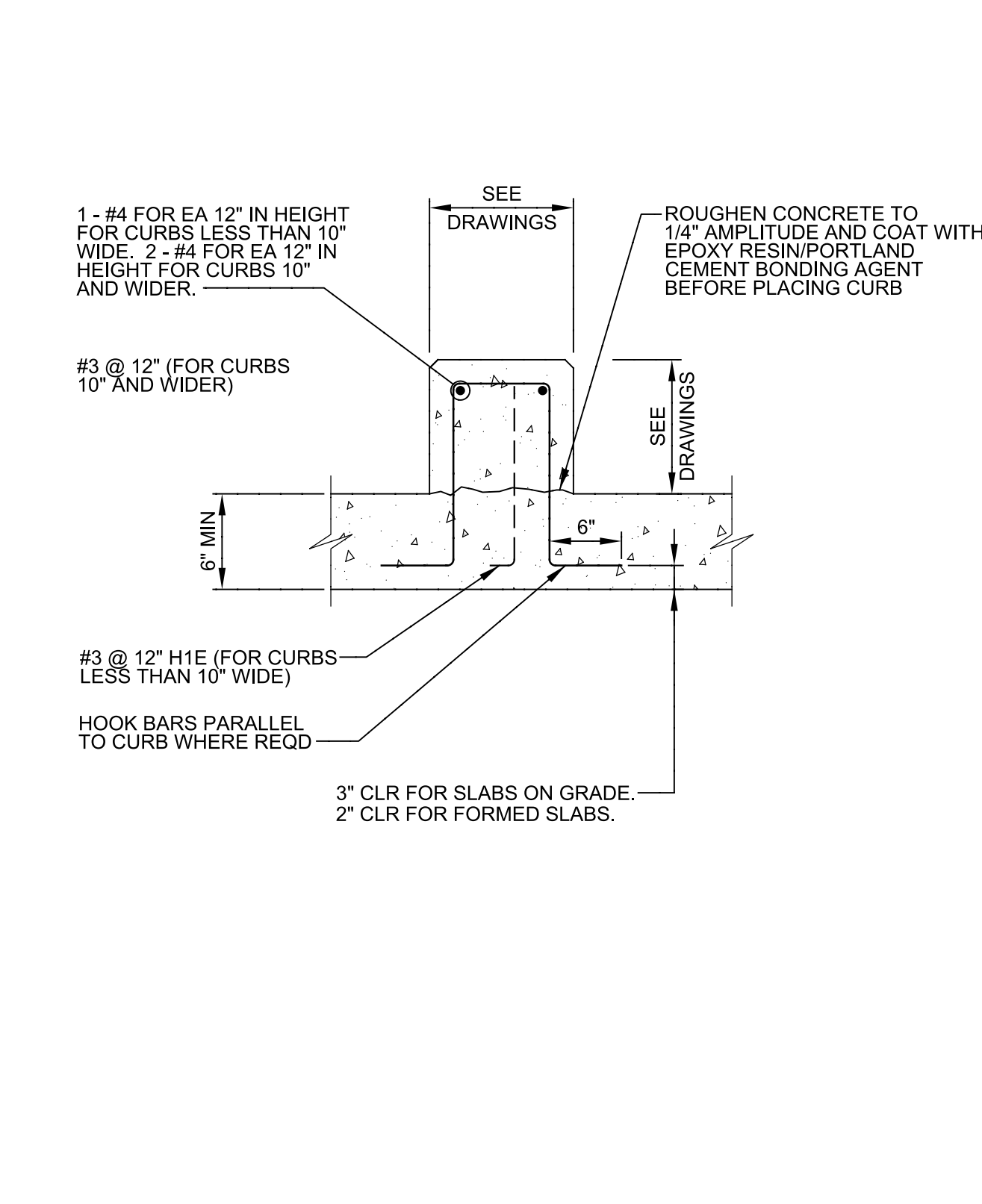
- NOTES:**
- 316SS SUPPORT AFTER FABRICATION.
  - \* = USE 2 1/2" SUPPORTS FOR PIPES LESS THAN 2 1/2" Ø.

**P624 ADJUSTABLE PIPE SUPPORT**  
TYP R 05/16/09

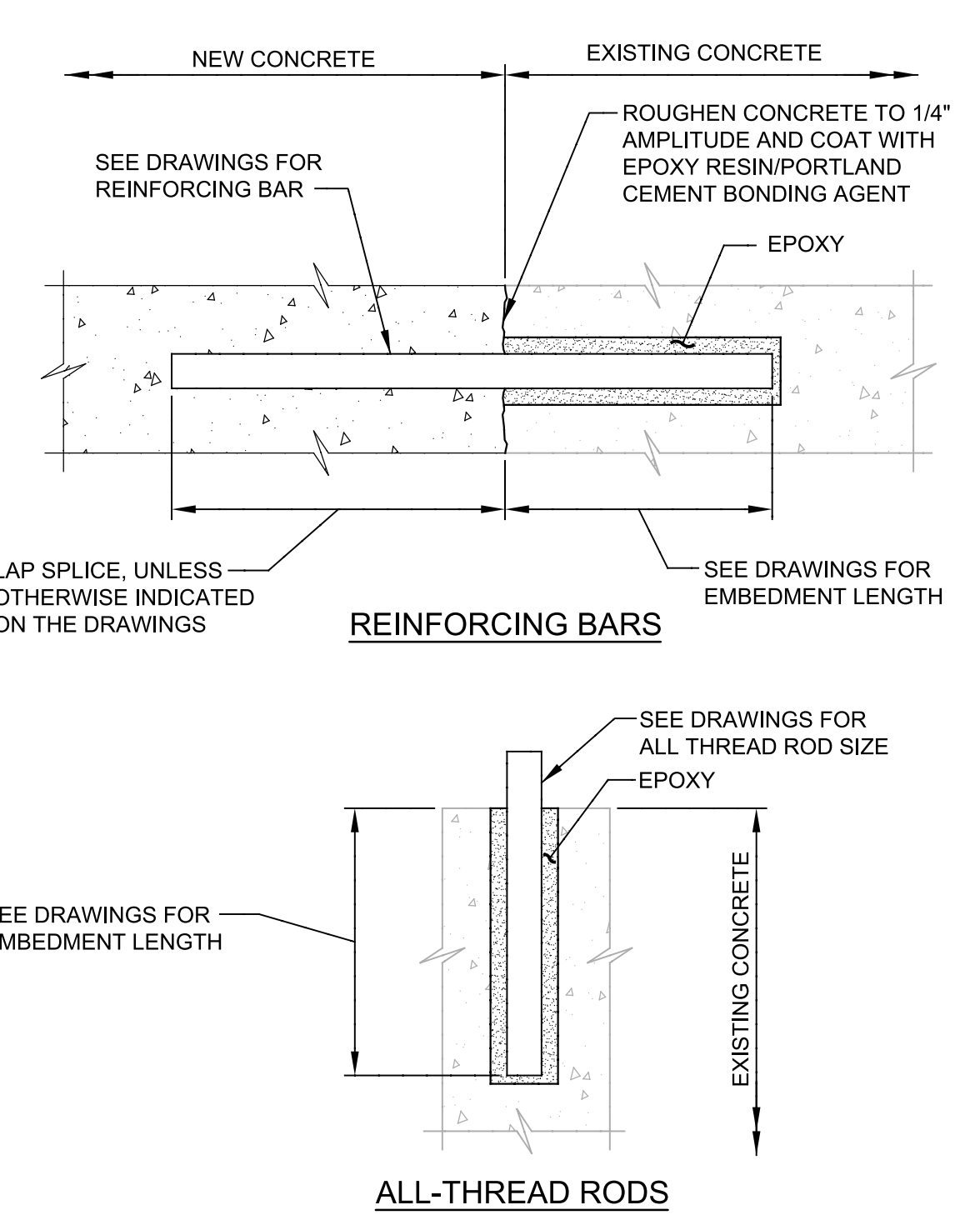


- NOTE:**
- IF SUPPORT IS SUBMERGED OR LOCATED BELOW THE TOP OF WALL IN WATER BEARING STRUCTURE, ALL MATERIAL SHALL BE STAINLESS STEEL. IN ALL OTHER AREAS, THE MATERIALS SHALL BE HOT-DIP GALVANIZED STEEL UNLESS OTHERWISE INDICATED ON THE DRAWINGS.

**P662 PIPE SUPPORT FOR ONE VERTICAL RISER**  
TYP NS 07/31/08

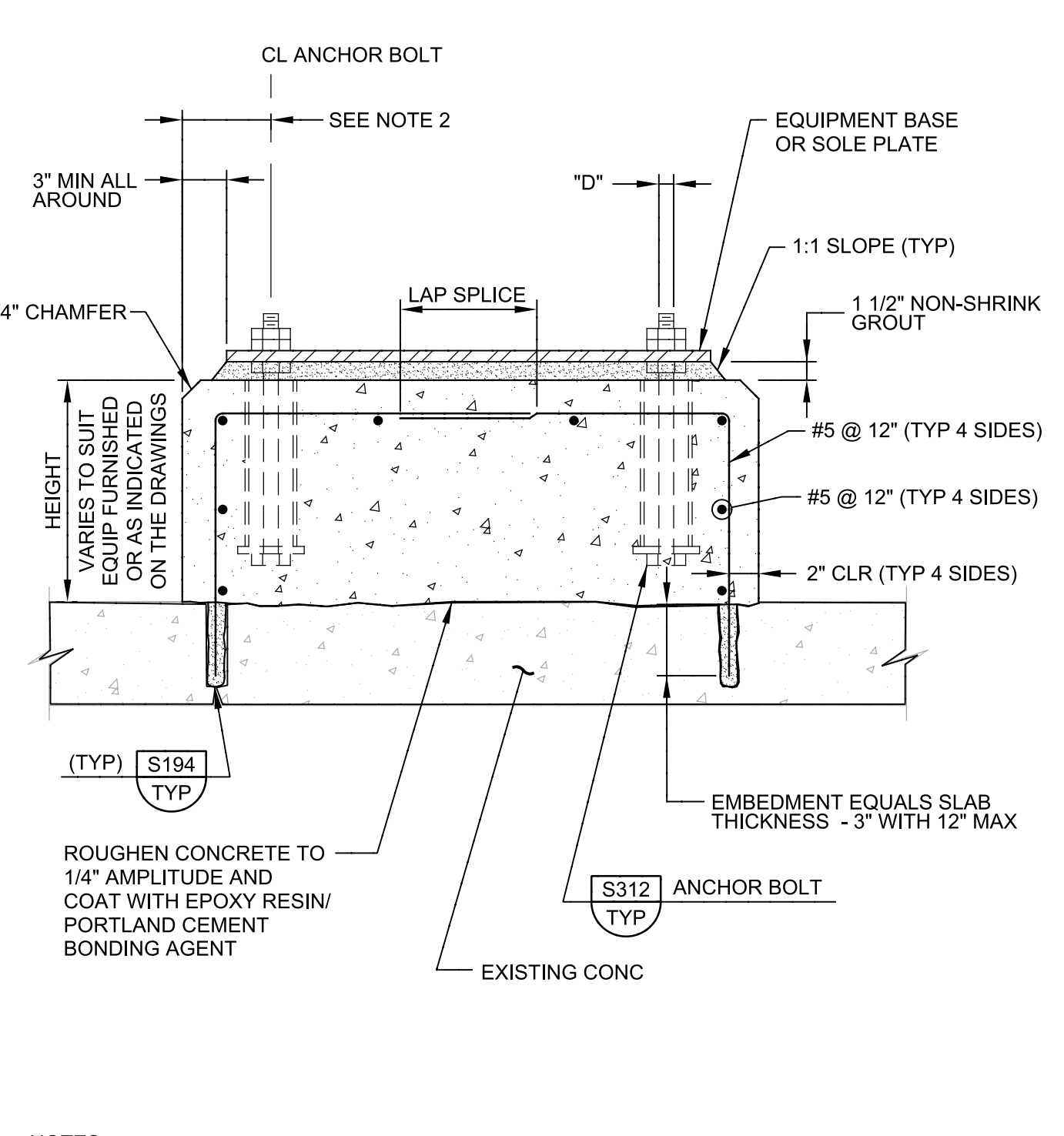


**S184 CONCRETE CURB**  
TYP S 09/05/12



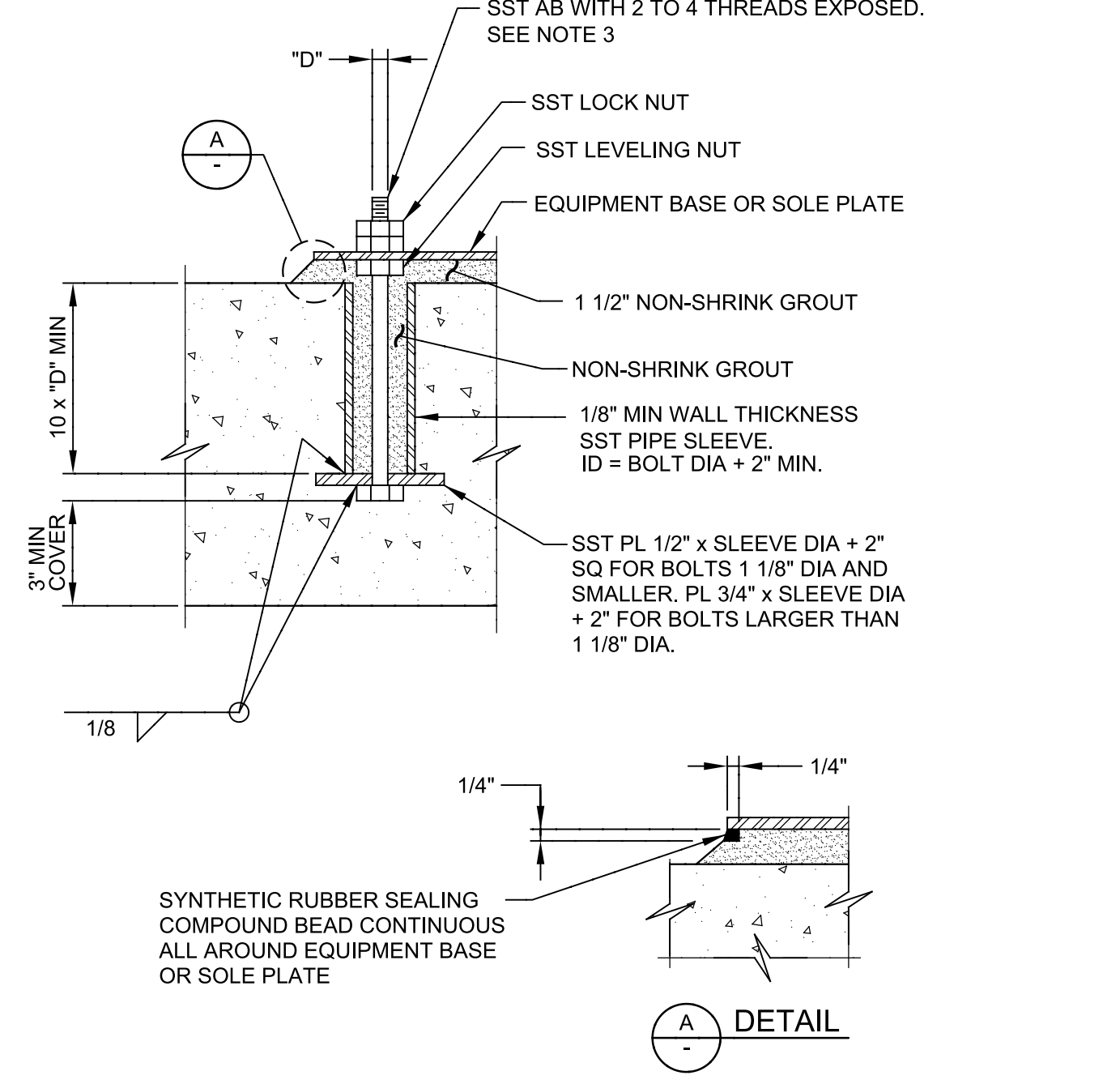
- NOTE:**
- INSTALLATION OF REINFORCING BARS AND ALL THREAD RODS AS INDICATED IN THE SPECIFICATIONS.

**S194 EPOXY BONDED REINFORCING BARS OR ALL-THREAD RODS**  
TYP N 04/30/07



- NOTES:**
- "D" = DIAMETER OF ANCHOR BOLT.
  - THE EDGE DISTANCE ON THE ANCHOR BOLTS SHALL NOT BE LESS THAN 6" OR 8 x "D".

**S304 EQUIPMENT BASE ON EXISTING CONCRETE SLAB**  
TYP N 07/31/08



- NOTES:**
- "D" = DIAMETER OF ANCHOR BOLT.
  - ANCHOR BOLT DIAMETER AS INDICATED ON THE DRAWINGS. IF NOT INDICATED ON THE DRAWINGS, THE ANCHOR BOLT SIZE SHALL BE AS RECOMMENDED BY THE EQUIPMENT MANUFACTURER.
  - DO NOT USE ALL-THREAD RODS AS A SUBSTITUTE FOR BOLTS WITH A BOLT HEAD.

**S312 ANCHOR BOLT - IN SLEEVE**  
TYP N 07/31/08

DESIGNED	MV
DRAWN	DVP
CHECKED	EP
DATE	MARCH 2013

REVISION	DATE	DESCRIPTION
1	SEPT 2013	ADDENDUM NO.1



MANATEE COUNTY  
SWWRF HEADWORKS REHABILITATION  
DETAILS  
**TYPICAL DETAILS**

VERIFY SCALES	JOB NO. 7880K10
BAR IS ONE INCH ON ORIGINAL DRAWING	DRAWING NO. T-01
0 1"	
IF NOT ONE INCH ON THIS SHEET, ADJUST SCALES ACCORDINGLY	