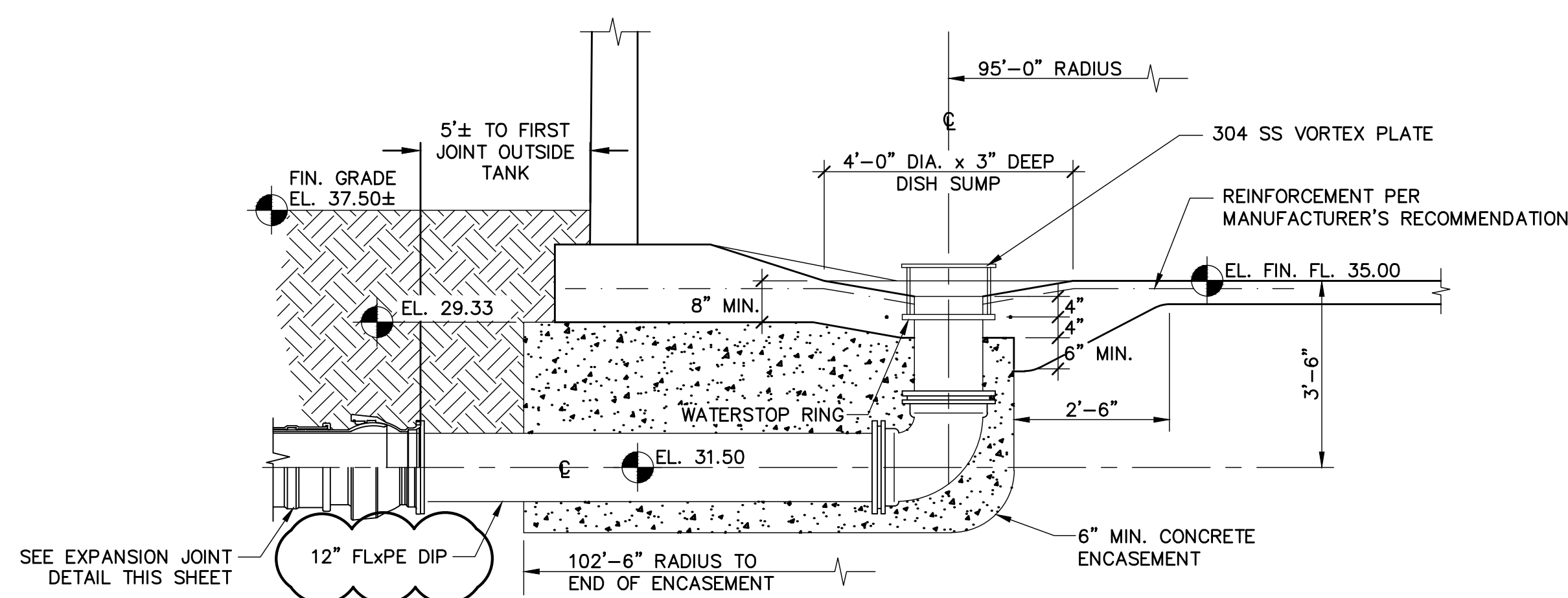


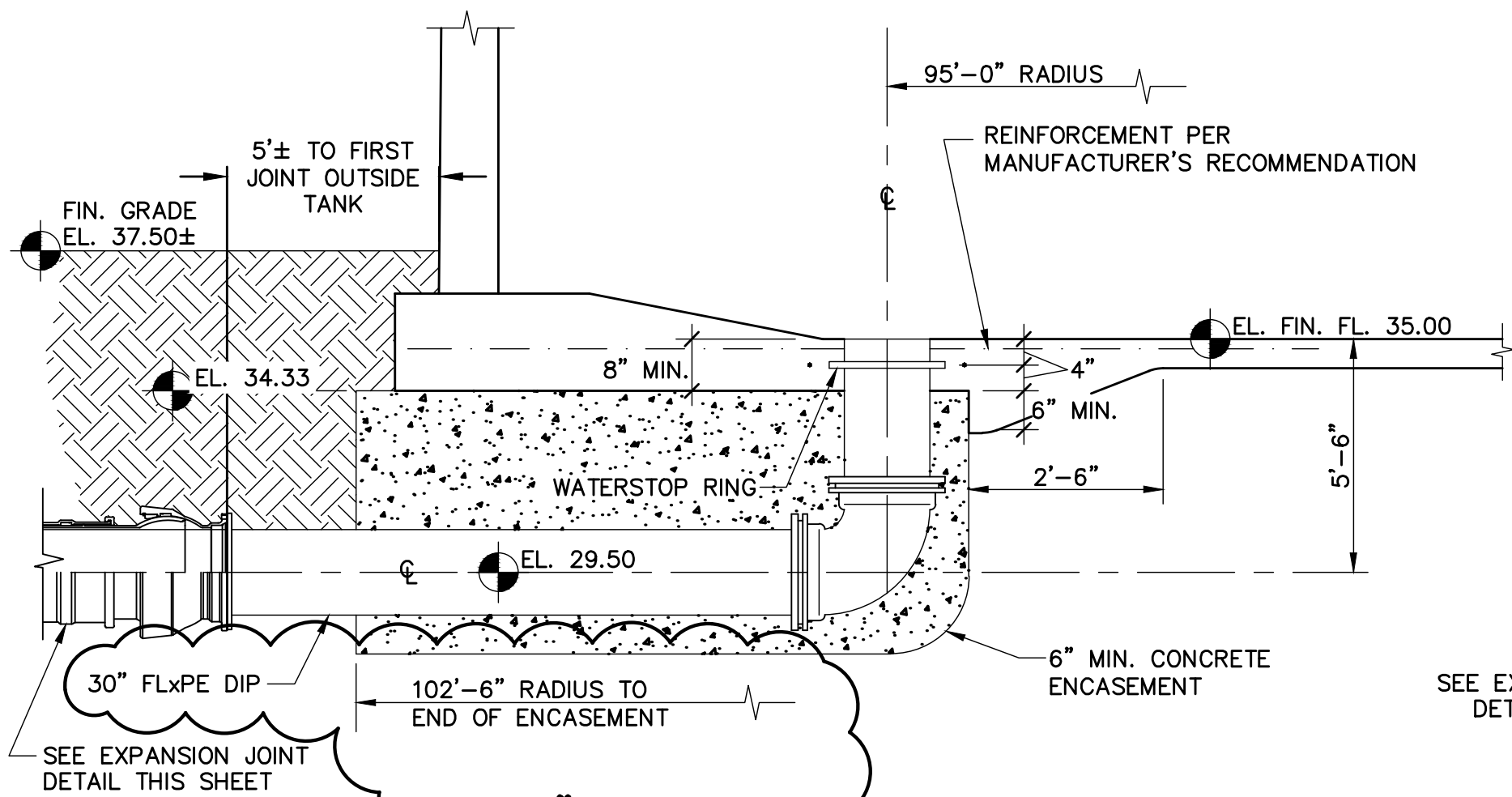
EXPANSION JOINT DETAIL

NTS



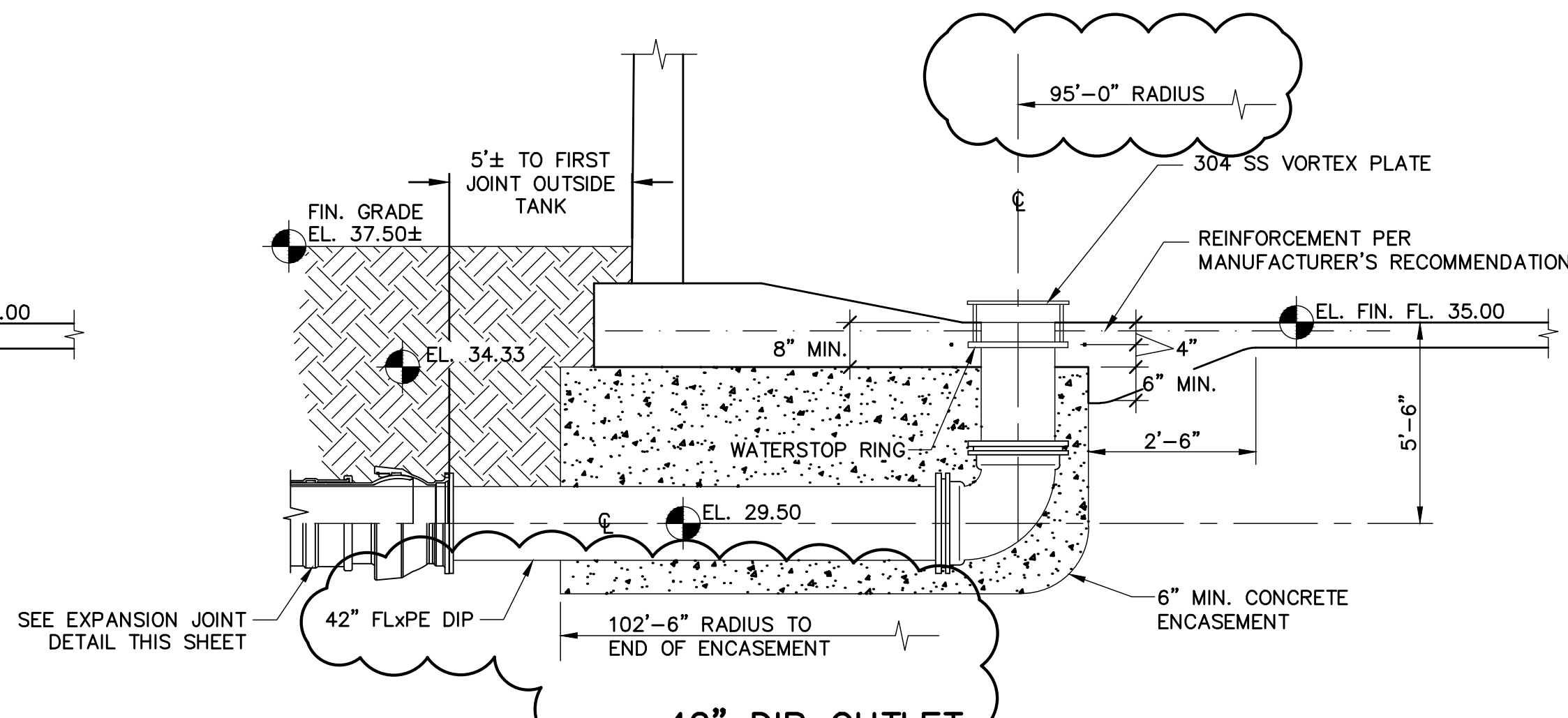
12" DIP DRAIN

NTS



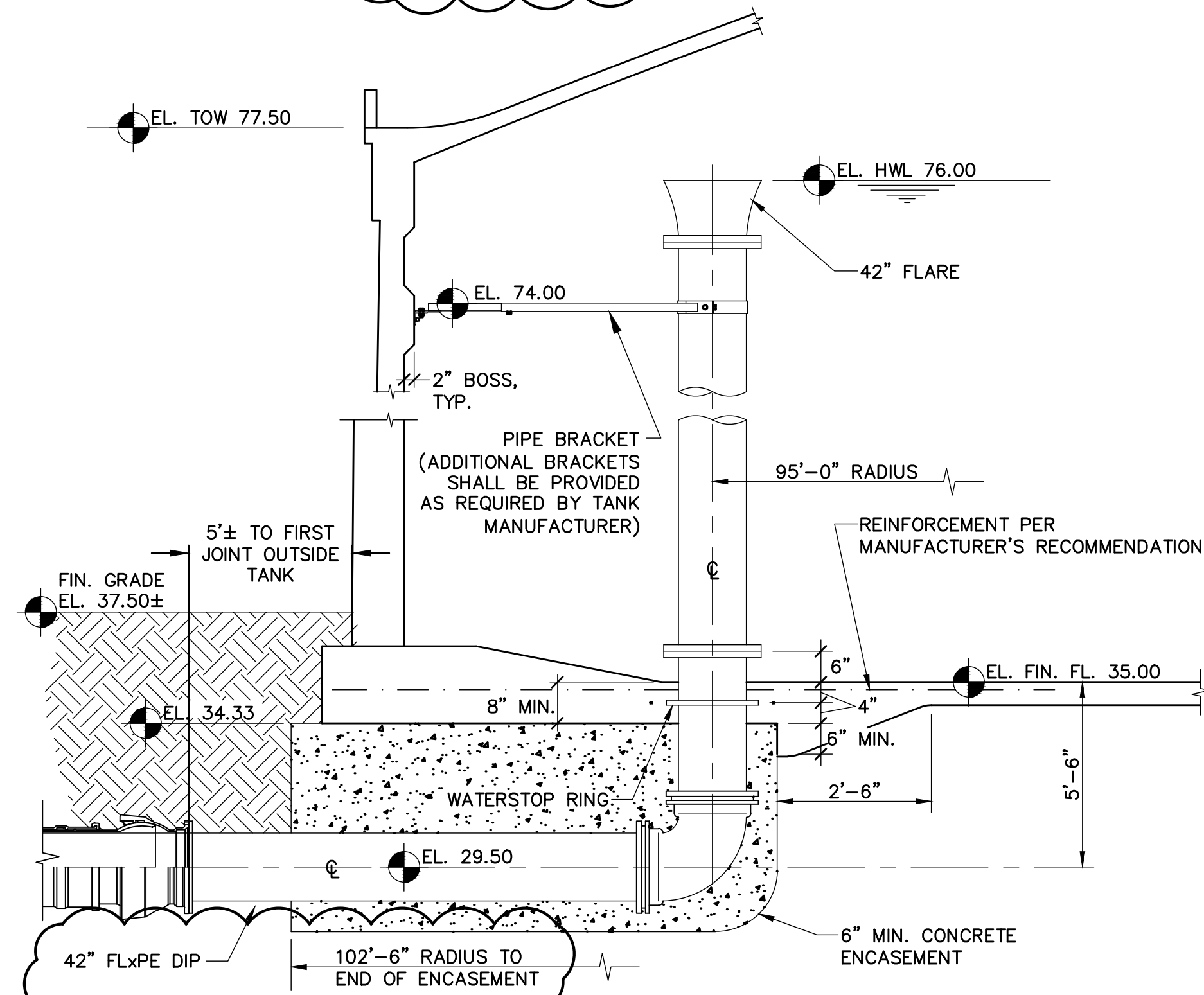
30" DIP INLET

NTS



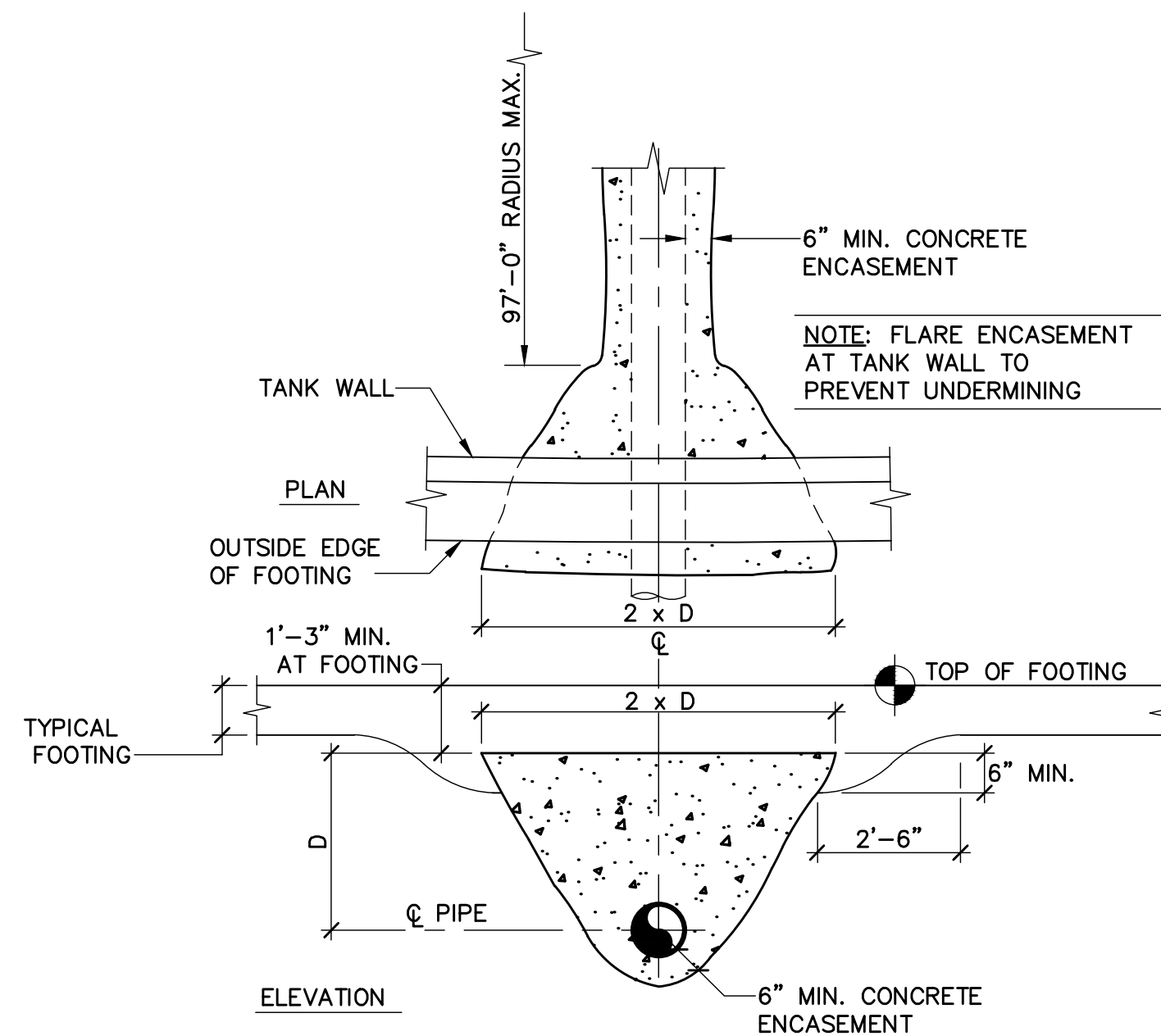
42" DIP OUTLET

NTS



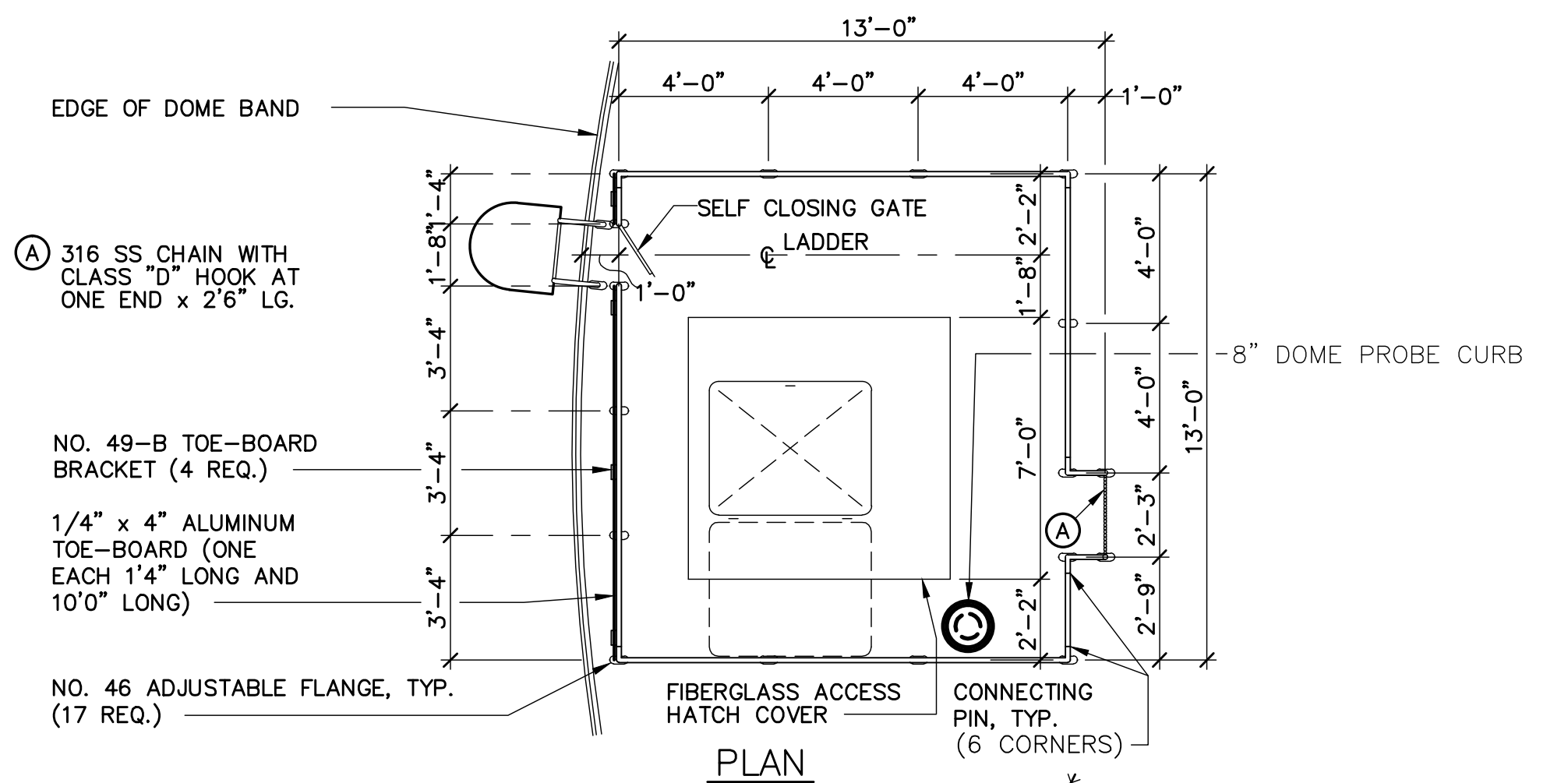
42" DIP OVERFLOW

NTS

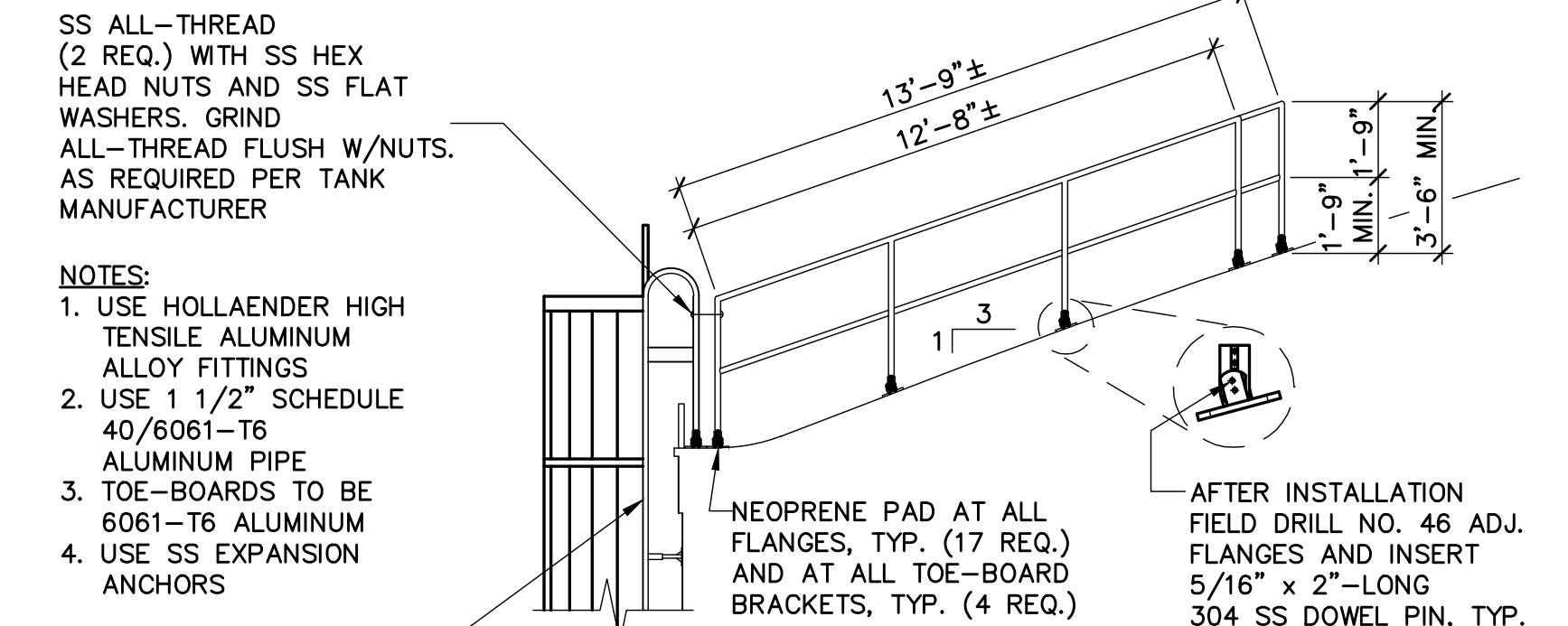


TYPICAL PIPE ENCASEMENT AT FOOTING

NTS



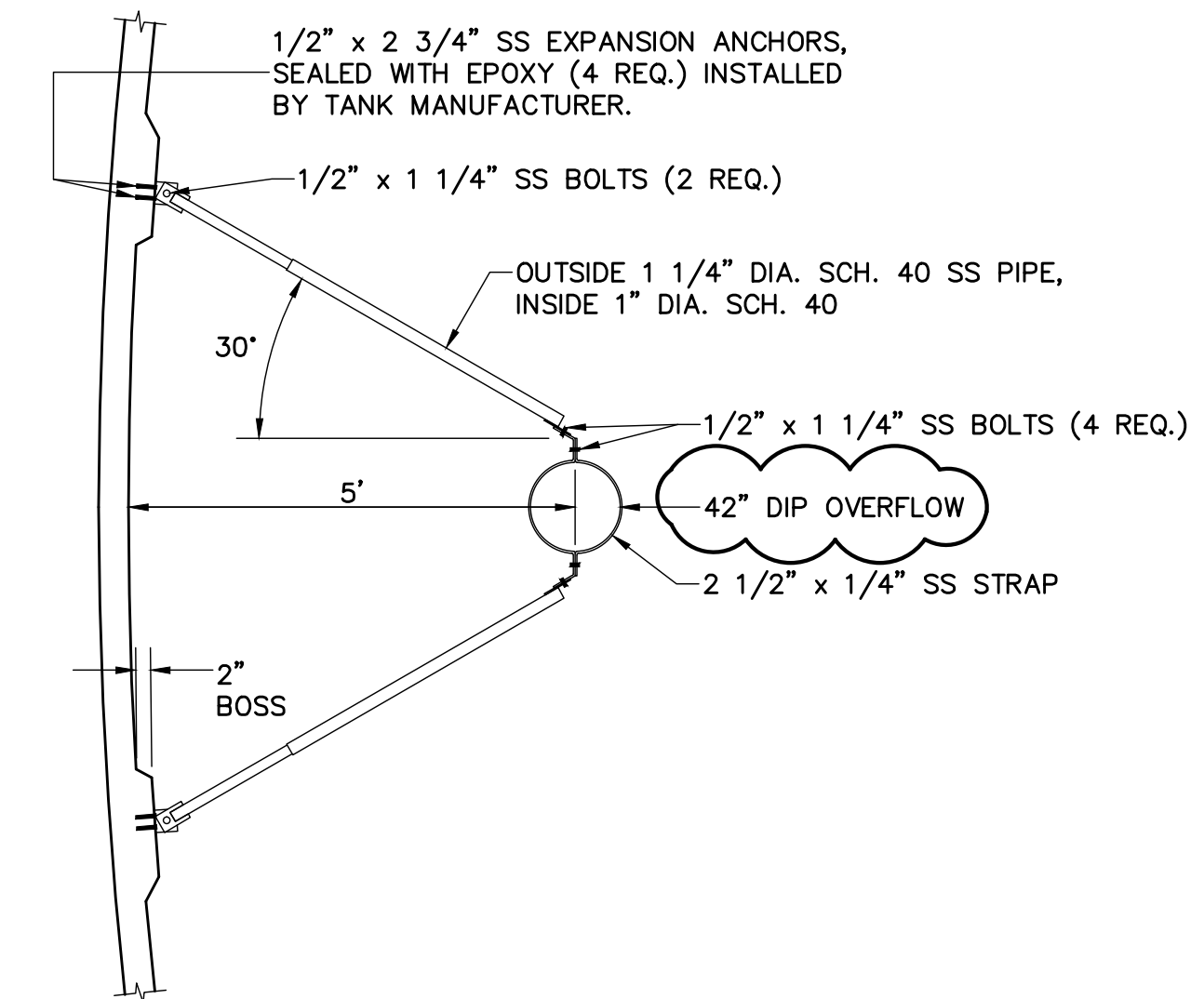
PLAN



ELEVATION

ALUMINUM HANDRAIL

NTS



PIPE BRACKET

NTS

REINFORCEMENT NOTE:
 1. THE INFORMATION PROVIDED ON THIS DRAWING IS FOR BIDDING PURPOSES ONLY. THE TANK MANUFACTURER SHALL SUBMIT COMPLETE DESIGN ANALYSES, WORKING DRAWINGS AND DETAILS OF THE STRUCTURE SIGNED AND SEALED BY A REGISTERED FLORIDA PROFESSIONAL ENGINEER.

s:\1024\01610\DWG-drawing\Mechanical\M2014-01-102401610.dwg, 7/29/2014, 12:08:23 PM, Brian Houghton

REV. NO.	DESCRIPTIONS	DATE

SEAL
 MATTHEW S. LOVE, P.E.
 No. 66118

SEAL

MCKIM & CREED
 1365 Hamlet Avenue
 Clearwater, Florida 33756
 Phone: (727)442-7196, Fax: (727)461-3827
 EB0006691
 www.mckimcreed.com

MANATEE COUNTY, FLORIDA

SEWRF 10 MG STORAGE TANK AND INTERCONNECTION
PRESTRESSED CONCRETE TANK
DETAILS 2 OF 3

DATE: JULY 2014	SCALE	DRAWING NUMBER
MCE PROJ. # 1024-0160	HORIZONTAL: NA	M-4.2
DRAWN: BFN	VERTICAL: NA	
DESIGNED: MSL		
CHECKED: MSL		
PROJ. MGR. MSL		
STATUS: ADDENDUM #1		REVISION