



FLORIDA DEPARTMENT OF Environmental Protection

Southwest District Office
13051 North Telecom Parkway #101
Temple Terrace, Florida 33637-0926

Ron DeSantis
Governor

Jeanette Nuñez
Lt. Governor

Shawn Hamilton
Secretary

Oct. 29, 2021

Manatee County Board of County Commissioners
% Charlie Hunsicker, Parks and Natural Resources Director
5502 33rd Avenue Drive West
Bradenton, Florida 34209
charlie.hunsicker@mymanatee.org

Dear Mr. Hunsicker:

Enclosed is the Environmental Resource Permit, DEP Project No. 41-0293084-005-EI, issued pursuant to Part IV of Chapter 373, Florida Statutes, and Title 62, Florida Administrative Code.

Appeal rights for you and for any affected third party are described in the text of the permit along with conditions that must be met when authorized activities are undertaken.

You, as the applicant, are responsible for all aspects of permit compliance. You should therefore review this permit document carefully to ensure compliance with the general conditions and specific conditions contained herein.

Please be aware of permit General Condition number 4, which states, "At least 48 hours prior to beginning the authorized activities, the permittee shall submit to the Agency a fully executed Form 62-330.350(1), "Construction Commencement Notice"."

If you have any questions about this document, please contact me at alexandria.moorehead@floridadep.gov or 813-470-5704.

Thank you for your participation in the permit process and in managing the natural resources of the State of Florida.

Sincerely,

A handwritten signature in black ink, appearing to read "M. Lynch", is written over a horizontal line.

Michael Lynch
Permitting Program Administrator
Southwest District

cc: Grady Timmins, Coastal Engineering Consultants, Inc., gtimmins@cecifl.com
Alan LaiHipp, Manatee County, alan.laihipp@mymanatee.org
Southwest District, FDEP, SW_ERP@floridadep.gov
Alexandria Moorehead, DEP SWD, alexandria.moorehead@floridadep.gov
U.S. Army Corps of Engineers, tampareg@usace.army.mil

Enclosure: Environmental Resource Permit with Attachments



FLORIDA DEPARTMENT OF Environmental Protection

Southwest District Office
13051 North Telecom Parkway #101
Temple Terrace, Florida 33637-0926

Ron DeSantis
Governor

Jeanette Nuñez
Lt. Governor

Shawn Hamilton
Secretary

Permittee/Authorized Entity:

Manatee County Board of County Commissioners
% Charlie Hunsicker, Parks and Natural Resources Director
5502 33rd Avenue Drive West
Bradenton, Florida 34209

Highland Shores Boat Ramp

Authorized Agent:

Coastal Engineering Consultants
% Grady Timmins
3106 South Horseshoe Drive
Naples, Florida 34104

Individual Environmental Resource Permit

State-owned Submerged Lands Authorization – Approved

U.S. Army Corps of Engineers Authorization – Not Approved

Permit No.: 41-0293084-005-EI

Permit Issuance Date: October 29, 2021

Permit Construction Phase Expiration Date: October 29, 2026



FLORIDA DEPARTMENT OF Environmental Protection

Southwest District Office
13051 North Telecom Parkway #101
Temple Terrace, Florida 33637-0926

Ron DeSantis
Governor

Jeanette Nuñez
Lt. Governor

Shawn Hamilton
Secretary

Consolidated Environmental Resource Permit and Sovereignty Submerged Lands Authorization

Permittee: Manatee County Board of County Commissioners
Permit No: 41-0293084-005-EI

PROJECT LOCATION

The activities authorized by this permit and sovereignty submerged lands authorization are located at 353 Shore Drive, Ellenton, Florida 34222, in Section 18, Township 34 South, Range 18 East in Manatee County, at latitude 27° 30' 53.9894" / longitude -82° 32' 1.0684".

PROJECT DESCRIPTION

The permittee is authorized to extend an existing dock 308 square feet and make repairs to an existing boat ramp. Boat ramp repairs include resetting panel 5 and installing two concrete stop piles at the ramp's toe to prevent future panel shifting, and installing prefabricated articulating concrete mats (256 square-feet or 4 cubic-yards) along with bedding stone (11 cubic-yards) to prevent further scouring within Manatee River below Braden River, a Class III Florida Waterbody. Authorized activities are depicted on the attached exhibits.

AUTHORIZATIONS

Environmental Resource Permit

The Department has determined that the activity qualifies for an Environmental Resource Permit. Therefore, the Environmental Resource Permit is hereby granted, pursuant to Part IV of Chapter 373, Florida Statutes (F.S.), and Chapter 62-330, Florida Administrative Code (F.A.C.).

Sovereignty Submerged Lands Authorization

The activity is located on sovereignty submerged lands owned by the State of Florida. It therefore also requires authorization from the Board of Trustees of the Internal Improvement Trust Fund (Board of Trustees), pursuant to Article X, Section 11 of the Florida Constitution, and Section 253.77, F.S.

As staff to the Board of Trustees of the Internal Improvement Trust Fund (Board of Trustees) under Sections 253.002, F.S., the Department has determined that the activity qualifies for and requires a Letter of Consent, as long as the work performed is located within the boundaries as described and is consistent with the terms and conditions herein.

During the term of this Letter of Consent you shall maintain satisfactory evidence of sufficient upland interest as required by paragraph 18-21.004(3)(b), Florida Administrative Code. If such interest is terminated or the Board of Trustees determines that such interest did not exist on the date of issuance of this Letter of Consent, this Letter of Consent may be terminated by the Board of

Trustees at its sole option. If the Board of Trustees terminates this Letter of Consent, you agree not to assert a claim or defense against the Board of Trustees arising out of this Letter of Consent.

Federal Authorization

Your proposed activity as outlined on your application and attached drawings **does not qualify** for Federal authorization pursuant to the State Programmatic General Permit and a **SEPARATE permit** or authorization **shall be required** from the Corps. You must apply separately to the Corps using the Application for Department of the Army Permit (ENG 4345) or alternative as allowed by Corps regulations. More information on Corps permitting may be found online in the Jacksonville District Regulatory Division Sourcebook:

(<https://www.saj.usace.army.mil/Missions/Regulatory/Source-Book/>).

Authority for review - an agreement with the USACOE entitled "Coordination Agreement Between the U. S. Army Corps of Engineers (Jacksonville District) and the Florida Department of Environmental Protection (or Duly Authorized Designee), State Programmatic General Permit", Section 10 of the Rivers and Harbor Act of 1899, and Section 404 of the Clean Water Act.

Coastal Zone Management

Issuance of this authorization also constitutes a finding of consistency with Florida's Coastal Zone Management Program, as required by Section 307 of the Coastal Zone Management Act.

Water Quality Certification

This permit also constitutes a water quality certification under Section 401 of the Clean Water Act, 33 U.S.C. 1341.

Other Authorizations

You are advised that authorizations or permits for this activity may be required by other federal, state, regional, or local entities including but not limited to local governments or municipalities. This permit does not relieve you from the requirements to obtain all other required permits or authorizations.

The activity described may be conducted only in accordance with the terms, conditions and attachments contained in this document. Issuance and granting of the permit and authorizations herein do not infer, nor guarantee, nor imply that future permits, authorizations, or modifications will be granted by the Department.

PERMIT SOVEREIGNTY SUBMERGED LANDS CONDITIONS

The activities described must be conducted in accordance with:

- **The Specific Conditions**
- **The General Conditions**
- **The Special Consent Conditions**
- **The General Conditions for Sovereignty Submerged Lands Authorization**
- **The limits, conditions and locations of work shown in the attached drawings**
- **The term limits of this authorization**

You are advised to read and understand these conditions and drawings prior to beginning the authorized activities, and to ensure the work is conducted in conformance with all the terms, conditions, and drawings herein. If you are using a contractor, the contractor also should read and understand these conditions and drawings prior to beginning any activity. Failure to comply with these conditions, including any mitigation

requirements, shall be grounds for the Department to revoke the permit and authorization and to take appropriate enforcement action. Operation of the facility is not authorized except when determined to be in conformance with all applicable rules and this permit and sovereignty submerged lands authorization, as described.

SPECIFIC CONDITIONS

1. Submittals required herein (e.g., progress reports, as-built drawings, etc.) shall include the permittee's name and permit number 41-0293084-005-EI and shall be directed by e-mail to SW_ERP@floridadep.gov with a subject line of "Compliance: permit number 41-0293084-005-EI", or by mail to:

Department of Environmental Protection
Southwest District
ATTN: ERP Compliance Assurance
13051 North Telecom Parkway, Suite 101
Temple Terrace, FL 33637-0926

2. The structure/work authorized by this permit shall not be placed/conducted on any property, other than that owned by the permittee, without the prior written approval of that property owner.
3. In the event the permittee files for bankruptcy prior to completion of work permitted and required by this permit, the permittee must notify the Department within 30 days of filing. The notification shall identify the bankruptcy court and case number and shall include a copy of the bankruptcy petition.
4. This permit does not authorize the permittee to cause any adverse impact to or "take" of state listed species and other regulated species of fish and wildlife. Compliance with state laws regulating the take of fish and wildlife is the responsibility of the owner or applicant associated with this project. Please refer to Chapter 68A-27 of the Florida Administrative Code for definitions of "take" and a list of fish and wildlife species. If listed species are observed onsite, FWC staff are available to provide decision support information or assist in obtaining the appropriate FWC permits. Most marine endangered and threatened species are statutorily protected and a "take" permit cannot be issued. Requests for further information or review can be sent to FWCConservationPlanningServices@MyFWC.com.

SPECIFIC CONDITIONS - PRIOR TO ANY CONSTRUCTION

5. Best management practices for erosion control shall be implemented prior to construction commencement and shall be maintained at all times during construction to prevent siltation and turbid discharges in excess of State water quality standards (>29 NTU's above background, pursuant to Rule 62-302, F.A.C. Methods may include, but are not limited to the use of staked hay bales, staked filter cloth, sodding, seeding, staged construction and the installation of turbidity screens around the immediate project site.

SPECIFIC CONDITIONS – CONSTRUCTION ACTIVITIES

6. Wetland areas or waterbodies that are outside the specific limits of construction authorized by this permit, must be protected from erosion, sedimentation, siltation, scouring, excess turbidity, and/or dewatering. There shall be no discharge in violation of the water quality standards in Chapter 62-302, F.A.C. Turbidity/erosion controls shall be installed prior to clearing, excavation or placement of fill material, shall be maintained until construction is completed, disturbed areas are

- stabilized, and turbidity levels have fallen to less than 29 NTU's above background. The turbidity and erosion control devices shall be removed within 14 days once these conditions are met.
7. Areas of exposed soils shall be isolated from wetlands or other surface waters to prevent erosion and deposition of these soils into wetlands or other surface waters during construction and operation of permitted activities.
 8. Side-slopes, exposed and/or disturbed land surfaces shall be stabilized with sod, seed or mulch within 48 hours following completion of final grades at the project site to prevent erosion, sedimentation, siltation or scouring.
 9. The permittee shall be responsible for ensuring erosion control devices/procedures are inspected and maintained daily during all phases of construction authorized by this permit until areas disturbed during construction are sufficiently stabilized to prevent erosion, siltation, and turbid discharges.
 10. Staked filter cloth shall be positioned at the edge of the permitted fill slopes adjacent to wetlands to prevent turbid run-off and erosion.

SPECIFIC MANATEE CONDITIONS

11. All personnel associated with the project shall be instructed about the presence of manatees and manatee speed zones, and the need to avoid collisions with, and injury to manatees. The permittee shall advise all construction personnel that there are civil and criminal penalties for harming, harassing, or killing manatees which are protected under the Marine Mammal Protection Act, the Endangered Species Act, and the Florida Manatee Sanctuary Act.
12. All vessels associated with the construction project shall operate at "Idle Speed/No Wake" at all times while in the immediate area and while in water where the draft of the vessel provides less than a four-foot clearance from the bottom. All vessels shall follow routes of deep water whenever possible.
13. Siltation or turbidity barriers shall be made of material in which manatees cannot become entangled, shall be properly secured, and shall be regularly monitored to avoid manatee entanglement or entrapment. Barriers shall not impede manatee movement.
14. All on-site project personnel are responsible for observing water-related activities for the presence of manatees. All in-water operations, including vessels, shall be shutdown if a manatee comes within 50 feet of the operation. Activities shall not resume until every manatee has moved beyond the 50-foot radius of the project operation, or until 30 minutes has elapsed wherein a manatee has not reappeared within 50 feet of the operation. Animals shall not be herded away or harassed into leaving.
15. Any collision with or injury to a manatee shall be reported immediately to the FWC Hotline at 1-888-404-FWCC. Collision and/or injury should also be reported to the U.S. Fish and Wildlife Service in Jacksonville (1-904-731-3336) for north Florida or Vero Beach (1-772-562-3909) for south Florida.
16. Temporary signs concerning manatees shall be posted prior to and during all in-water project activities. All signs are to be removed by the permittee upon completion of the project. Awareness signs that have already been approved for this use by the Florida Fish and Wildlife Conservation Commission (FWC) must be used. One sign measuring at least 3 ft. by 4 ft. which reads *Caution:*

- Manatee Area* must be posted. A second sign measuring at least 8 1/2" by 11" explaining the requirements for "Idle Speed/No Wake" and the shutdown of in-water operations must be posted in a location prominently visible to all personnel engaged in water-related activities. Please see the Florida Fish and Wildlife Conservation Commission website for information on how to obtain appropriate signs: http://www.myfwc.com/docs/WildlifeHabitats/Manatee_EducationalSign.pdf
17. Prior to the transfer to operations of the docking facility, the applicant shall forward a project site sign plan (a drawing of the facility with the applicant's proposed number, types, and locations for signs), a chart indicating the location of the facility in relation to waterways and county location, and the permit and/or lease number associated with the project to:

Department of Environmental Protection
Office of Waterways Management
3900 Commonwealth Blvd., Mail Station 630
Tallahassee, FL 32399
 18. Prior to transfer to operations of the docking facility, permanent manatee information and/or caution sign(s) shall be installed to increase the awareness of boaters using marine facilities of the presence of manatees and of the need to minimize the threat of boats to these animals. These signs are non-regulatory in nature.
 19. Two types of permanent manatee signs that may be required, a "Caution Manatee Sign" (1 sign) and/or "Manatee Informational Displays" (2 signs).
 - a. Manatee Information Displays may be located in a prominent location, such as near walkways, so they are visible to the maximum foot traffic access points to piers/docks. Large facilities may be required to post two sets of Manatee Informational Displays, depending upon the size and configuration of the facility.
 - b. "Caution Manatee" signs must be visible while accessing the marine facility by land and/or by water, depending upon the facility (i.e., temporary mooring only docks would require signs facing the water).
 - c. "Caution Manatee" signs should not be attached to navigational markers nor in any way impede navigation. If a facility has separate docks with separate access walkways, a "Caution Manatee" sign should be installed near each walkway.
 20. In order to provide protection to manatees during the operation of this facility, permanent manatee information and/or awareness sign(s) will be installed and maintained to increase boater awareness of the presence of manatees, and of the need to minimize the threat of boats to these animals. The signs shall be installed prior to the facility opening and beginning operations, shall be replaced in the event the signs fade or become damaged, and shall be maintained for the life of the facility in a manner acceptable to the Department. The number, type and procedure for sign installation shall be in accordance with the attachment "Permanent Manatee Signs". This attachment, which includes addresses for sign suppliers, can be obtained from the Imperiled Species Management Section (ISMS), Mail Station 245, 3900 Commonwealth Boulevard, Tallahassee, Florida 32399-3000 (phone 904/922-4330).
 21. The BPSM will review the proposed site sign plan, and will either approve the number, types and locations of signs or will offer suggestions on the type, number and locations of sign(s) needed. The

Office of Waterways Management will send an approval letter to the applicant after review and approval of the site plan.

22. A list of approved sign suppliers, and examples of each type of permanent sign should be included as an attachment to this document.
23. The applicant shall send a certified verification letter when the signs are installed to the DEP Office of Waterways Management. This verification letter must contain a statement that permanent signs were installed at the designated approved locations. Signs remain the responsibility of the owner(s) and are to be maintained for the life of the facility in a manner acceptable to Department.
24. An innovative and creative Department approved manatee educational program shall be developed and implemented before new docking facilities are occupied and transferred to operations. This presents a unique opportunity to provide educational materials to a segment of the boating public because of the potentially large number of customers that will frequent the facility by boats. The Imperiled Species Management Section is available to assist the applicant in developing an appropriate manatee protection and boater education program, to include but not be limited to: permanent manatee signs, brochures, speed zones maps, and other give away items such as placemats. This program shall be ongoing and occasionally updated, for the life of the docking facility. This partnership in education should be mutually beneficial, although the applicant should devote the necessary resources to carry out the charge.
25. Prior to transfer to operation of the docking facility, the permittee shall install and maintain a literature display to distribute (at no charge) copies of "Boat Speed Zones in Sarasota County" information booklets. These booklets can be obtained from the Sarasota County Natural Resources Department, (941/378-6113).
26. Prior to transfer to operation of the docking facility, the permittee shall install and maintain a literature display to distribute (at no charge) copies of "Boat Speed Zones in Manatee County" information booklets. Please contact the FWC Imperiled Species Management Section (ISMS) for information on obtaining copies of the booklet.

SPECIFIC CONDITIONS - OTHER LISTED SPECIES

27. This permit does not authorize the permittee to cause any adverse impact to or "take" of state listed species and other regulated species of fish and wildlife. Compliance with state laws regulating the take of fish and wildlife is the responsibility of the owner or applicant associated with this project. Please refer to Chapter 68A-27 of the Florida Administrative Code for definitions of "take" and a list of fish and wildlife species. If listed species are observed onsite, FWC staff are available to provide decision support information or assist in obtaining the appropriate FWC permits. Most marine endangered and threatened species are statutorily protected and a "take" permit cannot be issued. Requests for further information or review can be sent to FWCConservationPlanningServices@MyFWC.com.

SPECIFIC CONDITIONS - CONSTRUCTION COMPLETION

The permittee shall comply with the following conditions prior to the transfer to operation phase of the facility. All documentation required below shall be included with the permittee's request to transfer the project to the operation phase [Form No. 62-330.310(2), F.A.C.].

28. Within 30 days after completion of construction of the permitted or authorized activity, and prior to transfer to operation, the permittee/lessee shall submit an as-built survey signed, sealed and dated by a Florida licensed Surveyor and Mapper in accordance with Chapter 61G17-7, Florida Administrative Code. The survey shall depict the boundaries of the lease, including the entire preempted area and shall show the size and dimensions of all existing overwater structures and activities, including mooring pilings, located within the project area. Constructed deviations may require a permit or lease modification.
29. The permittee shall submit one set of signed, dated and sealed as-built drawings to the Department via email at SW_ERP@dep.state.fl.us for review and approval within 30 days of completion of construction. (Please contact the Department for files that are too large to email for alternative means of submitting electronically.) The as-built drawings shall be based on the Department permitted construction drawings and any pertinent specific conditions, which should be revised to reflect changes made during construction. Both the original design and constructed elevations must be clearly shown. The plans must be clearly labeled as "as-built" or "record" drawings. Surveyed dimensions and elevations required shall be verified and signed, dated and sealed by a Florida registered professional. *As-builts shall be submitted to the Department regardless of whether or not deviations are present. In addition, the permittee shall submit the "As-Built Certification and Request for Conversion to Operation Phase" form (Ch. 62-330.310(1), F.A.C.); as required in General Condition #6.*

The following information shall be verified on the as-built drawings from the engineering drawings signed and sealed by Grady Timmins, P.E., #86500, on June 14, 2021:

Plan View/ Cross Section Name	Drawing Number
Highland Shores Boat Ramp Proposed Plan	Sheet 3
Highland Shores Boat Ramp Proposed Typical Sections	Sheet 4

SPECIFIC CONDITIONS – OPERATION AND MAINTENANCE ACTIVITIES

30. A minimum navigational access of two feet below mean low water in tidal waters or mean annual low water in non-tidal waters must already exist to the proposed ramp. Depth indicators shall be installed at the ramp to identify the controlling depths of the navigational access.
31. The construction, alteration, or use of the boat ramp, including any accessory docks, shall not adversely impede navigation or create a navigational hazard in the water body.
32. There shall be no dredging or filling of submerged grassbeds or live bottom communities.
33. The boat ramp shall be concrete or otherwise stabilized with a geotextile or a cellular confinement system to prevent turbidity and erosion. Asphalt is prohibited.
34. All dredged material that result from activities authorized by this permit shall be deposited in an upland spoil site designed and located to prevent the escape of dredged material into wetlands or other surface waters.
35. Water depth at the mooring area shall be sufficient to prevent bottom scouring by boat propellers.
36. No portion of the boat slip/mooring area shall be constructed over submerged grass beds.

37. Any non-water dependent structures shall be located on the uplands.
38. This permit does not authorize enclosures.
39. No overboard discharges of trash, human or animal waste, or fuel shall occur at the dock.
40. The work shall be done during periods of average or low water.
41. The docking facility shall be for the sole use of the general public and government agencies. Any fee charged for use of the approved facility shall be nominal and used exclusively for maintenance of the facility. Prior to any change in use of the approved facility to a revenue-generating/income-related activity as defined in Section 18-21.003(44), F.A.C., the grantee and/or successor will be required to obtain a submerged land lease and be assessed a fee for the use of the sovereignty submerged land. Failure to notify the Department could result in assessment of lease fees in arrears and an administrative fine.
42. The pile supported decking design and construction shall ensure maximum light penetration, with full consideration of safety and practicality.
43. This permit does not authorize the construction of additional structures not illustrated on the permit drawings. Examples of additional structures, which are not authorized by this permit include but are not limited to: walkways, doors, awnings, and decking around or under the bottom of the pile-supported structures. Storage of equipment, pesticides, herbicides, construction material, trash receptacles, or part of a septic tank system beneath the pile-supported structure is prohibited.

GENERAL CONDITIONS FOR INDIVIDUAL PERMITS

The following general conditions are binding on all individual permits issued under this chapter, except where the conditions are not applicable to the authorized activity, or where the conditions must be modified to accommodate project-specific conditions.

1. All activities shall be implemented following the plans, specifications and performance criteria approved by this permit. Any deviations must be authorized in a permit modification in accordance with rule 62-330.315, F.A.C. Any deviations that are not so authorized may subject the permittee to enforcement action and revocation of the permit under chapter 373, F.S.
2. A complete copy of this permit shall be kept at the work site of the permitted activity during the construction phase, and shall be available for review at the work site upon request by the Agency staff. The permittee shall require the contractor to review the complete permit prior to beginning construction.
3. Activities shall be conducted in a manner that does not cause or contribute to violations of state water quality standards. Performance-based erosion and sediment control best management practices shall be installed immediately prior to, and be maintained during and after construction as needed, to prevent adverse impacts to the water resources and adjacent lands. Such practices shall be in accordance with the State of Florida Erosion and Sediment Control Designer and Reviewer Manual (Florida Department of Environmental Protection and Florida Department of Transportation, June 2007), and the Florida Stormwater Erosion and Sedimentation Control Inspector's Manual (Florida Department of Environmental Protection, Nonpoint Source

Management Section, Tallahassee, Florida, July 2008), which are both incorporated by reference in subparagraph 62-330.050(9)(b)5., F.A.C., unless a project-specific erosion and sediment control plan is approved or other water quality control measures are required as part of the permit.

4. At least 48 hours prior to beginning the authorized activities, the permittee shall submit to the Agency a fully executed Form 62-330.350(1), "Construction Commencement Notice," (October 1, 2013), (<http://www.flrules.org/Gateway/reference.asp?No=Ref-02505>), incorporated by reference herein, indicating the expected start and completion dates. A copy of this form may be obtained from the Agency, as described in subsection 62-330.010(5), F.A.C., and shall be submitted electronically or by mail to the Agency. However, for activities involving more than one acre of construction that also require a NPDES stormwater construction general permit, submittal of the Notice of Intent to Use Generic Permit for Stormwater Discharge from Large and Small Construction Activities, DEP Form 62-621.300(4)(b), shall also serve as notice of commencement of construction under this chapter and, in such a case, submittal of Form 62-330.350(1) is not required.
5. Unless the permit is transferred under rule 62-330.340, F.A.C., or transferred to an operating entity under rule 62-330.310, F.A.C., the permittee is liable to comply with the plans, terms, and conditions of the permit for the life of the project or activity.
6. Within 30 days after completing construction of the entire project, or any independent portion of the project, the permittee shall provide the following to the Agency, as applicable:
 - a. For an individual, private single-family residential dwelling unit, duplex, triplex, or quadruplex – "Construction Completion and Inspection Certification for Activities Associated with a Private Single-Family Dwelling Unit" [Form 62-330.310(3)]; or
 - b. For all other activities – "As-Built Certification and Request for Conversion to Operation Phase" [Form 62-330.310(1)].
 - c. If available, an Agency website that fulfills this certification requirement may be used in lieu of the form.
7. If the final operation and maintenance entity is a third party:
 - a. Prior to sales of any lot or unit served by the activity and within one year of permit issuance, or within 30 days of as-built certification, whichever comes first, the permittee shall submit, as applicable, a copy of the operation and maintenance documents (see sections 12.3 thru 12.3.4 of Volume I) as filed with the Florida Department of State, Division of Corporations, and a copy of any easement, plat, or deed restriction needed to operate or maintain the project, as recorded with the Clerk of the Court in the County in which the activity is located.
 - b. Within 30 days of submittal of the as-built certification, the permittee shall submit "Request for Transfer of Environmental Resource Permit to the Perpetual Operation and Maintenance Entity" [Form 62-330.310(2)] to transfer the permit to the operation and maintenance entity, along with the documentation requested in the form. If available, an Agency website that fulfills this transfer requirement may be used in lieu of the form.
8. The permittee shall notify the Agency in writing of changes required by any other regulatory agency that require changes to the permitted activity, and any required modification of this permit must be obtained prior to implementing the changes.

9. This permit does not:

- a. Convey to the permittee any property rights or privileges, or any other rights or privileges other than those specified herein or in chapter 62-330, F.A.C.;
- b. Convey to the permittee or create in the permittee any interest in real property;
- c. Relieve the permittee from the need to obtain and comply with any other required federal, state, and local authorization, law, rule, or ordinance; or
- d. Authorize any entrance upon or work on property that is not owned, held in easement, or controlled by the permittee.

10. Prior to conducting any activities on state-owned submerged lands or other lands of the state, title to which is vested in the Board of Trustees of the Internal Improvement Trust Fund, the permittee must receive all necessary approvals and authorizations under chapters 253 and 258, F.S. Written authorization that requires formal execution by the Board of Trustees of the Internal Improvement Trust Fund shall not be considered received until it has been fully executed.

11. The permittee shall hold and save the Agency harmless from any and all damages, claims, or liabilities that may arise by reason of the construction, alteration, operation, maintenance, removal, abandonment or use of any project authorized by the permit.

12. The permittee shall notify the Agency in writing:

- a. Immediately if any previously submitted information is discovered to be inaccurate; and
- b. Within 30 days of any conveyance or division of ownership or control of the property or the system, other than conveyance via a long-term lease, and the new owner shall request transfer of the permit in accordance with rule 62-330.340, F.A.C. This does not apply to the sale of lots or units in residential or commercial subdivisions or condominiums where the stormwater management system has been completed and converted to the operation phase.

13. Upon reasonable notice to the permittee, Agency staff with proper identification shall have permission to enter, inspect, sample and test the project or activities to ensure conformity with the plans and specifications authorized in the permit.

14. If prehistoric or historic artifacts, such as pottery or ceramics, projectile points, stone tools, dugout canoes, metal implements, historic building materials, or any other physical remains that could be associated with Native American, early European, or American settlement are encountered at any time within the project site area, the permitted project shall cease all activities involving subsurface disturbance in the vicinity of the discovery. The permittee or other designee shall contact the Florida Department of State, Division of Historical Resources, Compliance Review Section (DHR), at (850)245-6333, as well as the appropriate permitting agency office. Project activities shall not resume without verbal or written authorization from the Division of Historical Resources. If unmarked human remains are encountered, all work shall stop immediately and the proper authorities notified in accordance with section 872.05, F.S. For project activities subject to prior consultation with the DHR and as an alternative to the above requirements, the permittee may follow procedures for unanticipated discoveries as set forth within a cultural resources assessment survey determined complete and sufficient by DHR and included as a specific permit condition herein.

15. Any delineation of the extent of a wetland or other surface water submitted as part of the permit application, including plans or other supporting documentation, shall not be considered binding unless a specific condition of this permit or a formal determination under rule 62-330.201, F.A.C., provides otherwise.

16. The permittee shall provide routine maintenance of all components of the stormwater management system to remove trapped sediments and debris. Removed materials shall be disposed of in a landfill or other uplands in a manner that does not require a permit under chapter 62-330, F.A.C., or cause violations of state water quality standards.

17. This permit is issued based on the applicant's submitted information that reasonably demonstrates that adverse water resource-related impacts will not be caused by the completed permit activity. If any adverse impacts result, the Agency will require the permittee to eliminate the cause, obtain any necessary permit modification, and take any necessary corrective actions to resolve the adverse impacts.

18. A Recorded Notice of Environmental Resource Permit may be recorded in the county public records in accordance with subsection 62-330.090(7), F.A.C. Such notice is not an encumbrance upon the property.

19. In addition to those general conditions in subsection (1), above, the Agency shall impose any additional project-specific special conditions necessary to assure the permitted activities will not be harmful to the water resources, as set forth in rules 62-330.301 and 62-330.302, F.A.C., Volumes I and II, as applicable, and the rules incorporated by reference in this chapter.

SPECIAL CONSENT CONDITIONS

1. The applicant agrees to indemnify, defend and hold harmless the Board of Trustees and the State of Florida from all claims, actions, lawsuits and demands in any form arising out of the authorization to use sovereignty submerged lands or the applicant's use and construction of structures on sovereignty submerged lands. This duty to indemnify and hold harmless will include any and all liabilities that are associated with the structure or activity including special assessments or taxes that are now or in the future assessed against the structure or activity during the period of the authorization.

2. Failure by the Board of Trustees to enforce any violation of a provision of the authorization or waiver by the Board of Trustees of any provision of the authorization will not invalidate the provision not enforced or waived, nor will the failure to enforce or a waiver prevent the Board of Trustees from enforcing the unenforced or waived provision in the event of a violation of that provision.

3. Applicant binds itself and its successors and assigns to abide by the provisions and conditions set forth in the authorization. If the applicant or its successors or assigns fails or refuses to comply with the provisions and conditions of the authorization, the authorization may be terminated by the Board of Trustees after written notice to the applicant or its successors or assigns. Upon receipt of such notice, the applicant or its successors or assigns will have thirty (30) days in which to correct

the violations. Failure to correct the violations within this period will result in the automatic revocation of this authorization.

4. All costs incurred by the Board of Trustees in enforcing the terms and conditions of the authorization will be paid by the applicant. Any notice required by law will be made by certified mail at the address shown on page one of the authorization. The applicant will notify the Board of Trustees in writing of any change of address at least ten days before the change becomes effective.
5. This authorization does not allow any activity prohibited in a conservation easement or restrictive covenant that prohibits the activity.

GENERAL CONDITIONS FOR SOVEREIGNTY SUBMERGED LANDS AUTHORIZATION

Any use of sovereignty submerged lands is subject to the following general conditions are binding upon the applicant and are enforceable under Chapter 253, F.S.

1. Sovereignty submerged lands may be used only for the specified activity or use. Any unauthorized deviation from the specified activity or use and the conditions for undertaking that activity or use will constitute a violation. Violation of the authorization will result in suspension or revocation of the applicant's use of the sovereignty submerged lands unless cured to the satisfaction of the Board of Trustees.
2. Authorization under Rule 18-21.005, F.A.C., conveys no title to sovereignty submerged lands or water column, nor does it constitute recognition or acknowledgment of any other person's title to such land or water.
3. Authorizations under Rule 18-21.005, F.A.C., may be modified, suspended or revoked in accordance with its terms or the remedies provided in Sections 253.04, F.S. and Chapter 18-14, F.A.C.
4. Structures or activities will be constructed and used to avoid or minimize adverse impacts to resources.
5. Construction, use, or operation of the structure or activity will not adversely affect any species which is endangered, threatened or of special concern, as listed in Rules 68A-27.003, 68A-27.004, and 68A-27.005, F.A.C.
6. Structures or activities will not unreasonably interfere with riparian rights. When a court of competent jurisdiction determines that riparian rights have been unlawfully affected, the structure or activity will be modified in accordance with the court's decision.
7. Structures or activities will not create a navigational hazard.
8. Activities shall not interfere with the public easement for traditional uses of the sandy beaches provided in section 161.141, F.S.

9. Structures shall be maintained in a functional condition and shall be repaired or removed if they become dilapidated to such an extent that they are no longer functional. This shall not be construed to prohibit the repair or replacement subject to the provisions of rule 18-21.005, F.A.C., within one year, of a structure damaged in a discrete event such as a storm, flood, accident, or fire.

10. Structures or activities shall be constructed, operated, and maintained solely for water dependent purposes, or for non-water dependent activities authorized under paragraph 18-21.004(1)(g), F.A.C., or any other applicable law.

11. The applicant agrees to indemnify, defend and hold harmless the Board of Trustees and the State of Florida from all claims, actions, lawsuits and demands in any form arising out of the authorization to use sovereignty submerged lands or the applicant's use and construction of structures on sovereignty submerged lands. This duty to indemnify and hold harmless will include any and all liabilities that are associated with the structure or activity including special assessments or taxes that are now or in the future assessed against the structure or activity during the period of the authorization.

12. Failure by the Board of Trustees to enforce any violation of a provision of the authorization or waiver by the Board of Trustees of any provision of the authorization will not invalidate the provision not enforced or waived, nor will the failure to enforce or a waiver prevent the Board of Trustees from enforcing the unenforced or waived provision in the event of a violation of that provision.

13. Applicant binds itself and its successors and assigns to abide by the provisions and conditions set forth in the authorization. If the applicant or its successors or assigns fails or refuses to comply with the provisions and conditions of the authorization, the authorization may be terminated by the Board of Trustees after written notice to the applicant or its successors or assigns. Upon receipt of such notice, the applicant or its successors or assigns will have thirty (30) days in which to correct the violations. Failure to correct the violations within this period will result in the automatic revocation of this authorization.

14. All costs incurred by the Board of Trustees in enforcing the terms and conditions of the authorization will be paid by the applicant. Any notice required by law will be made by certified mail at the address shown on page one of the authorization. The applicant will notify the Board of Trustees in writing of any change of address at least ten days before the change becomes effective.

15. This authorization does not allow any activity prohibited in a conservation easement or restrictive covenant that prohibits the activity.

NOTICE OF RIGHTS

This action is final and effective on the date filed with the Clerk of the Department unless a petition for an administrative hearing is timely filed under Sections 120.569 and 120.57, F.S., before the deadline for filing a petition. On the filing of a timely and sufficient petition, this action will not be final and effective until further order of the Department. Because the administrative hearing process is designed to formulate final agency action, the hearing process may result in a modification of the agency action or even denial of the application.

Petition for Administrative Hearing

A person whose substantial interests are affected by the Department's action may petition for an administrative proceeding (hearing) under Sections 120.569 and 120.57, F.S. Pursuant to Rules 28-106.201 and 28-106.301, F.A.C., a petition for an administrative hearing must contain the following information:

- (a) The name and address of each agency affected and each agency's file or identification number, if known;
- (b) The name, address, any e-mail address, any facsimile number, and telephone number of the petitioner, if the petitioner is not represented by an attorney or a qualified representative; the name, address, and telephone number of the petitioner's representative, if any, which shall be the address for service purposes during the course of the proceeding; and an explanation of how the petitioner's substantial interests will be affected by the agency determination;
- (c) A statement of when and how the petitioner received notice of the agency decision;
- (d) A statement of all disputed issues of material fact. If there are none, the petition must so indicate;
- (e) A concise statement of the ultimate facts alleged, including the specific facts that the petitioner contends warrant reversal or modification of the agency's proposed action;
- (f) A statement of the specific rules or statutes that the petitioner contends require reversal or modification of the agency's proposed action, including an explanation of how the alleged facts relate to the specific rules or statutes; and
- (g) A statement of the relief sought by the petitioner, stating precisely the action that the petitioner wishes the agency to take with respect to the agency's proposed action.

The petition must be filed (received by the Clerk) in the Office of General Counsel of the Department at 3900 Commonwealth Boulevard, Mail Station 35, Tallahassee, Florida 32399-3000, or via electronic correspondence at Agency_Clerk@dep.state.fl.us. Also, a copy of the petition shall be mailed to the applicant at the address indicated above at the time of filing.

Time Period for Filing a Petition

In accordance with Rule 62-110.106(3), F.A.C., petitions for an administrative hearing by the applicant and persons entitled to written notice under Section 120.60(3), F.S., must be filed within 14 days of receipt of this written notice. Petitions filed by any persons other than the applicant, and other than those entitled to written notice under Section 120.60(3), F.S., must be filed within 14 days of publication of the notice or within 14 days of receipt of the written notice, whichever occurs first. You cannot justifiably rely on the finality of this decision unless notice of this decision and the right of substantially affected persons to challenge this decision has been duly published or otherwise provided to all persons substantially affected by the decision. While you are not required to publish notice of this action, you may elect to do so pursuant Rule 62-110.106(10)(a).

The failure to file a petition within the appropriate time period shall constitute a waiver of that person's right to request an administrative determination (hearing) under Sections 120.569 and 120.57, F.S., or to intervene in this proceeding and participate as a party to it. Any subsequent intervention (in a proceeding initiated by another party) will be only at the discretion of the presiding officer upon the filing of a motion in compliance with Rule 28-106.205, F.A.C. If you do not publish notice of this action, this waiver will not apply to persons who have not received written notice of this action.

Extension of Time

Under Rule 62-110.106(4), F.A.C., a person whose substantial interests are affected by the Department's action may also request an extension of time to file a petition for an administrative hearing. The Department may, for good cause shown, grant the request for an extension of time. Requests for extension of time must be filed with the Office of General Counsel of the Department at 3900 Commonwealth Boulevard, Mail Station 35, Tallahassee, Florida 32399-3000, or via electronic correspondence at Agency_Clerk@dep.state.fl.us, before the deadline for filing a petition for an administrative hearing. A timely request for extension of time shall toll the running of the time period for filing a petition until the request is acted upon.

Mediation

Mediation is not available in this proceeding.

FLAWAC Review

The applicant, or any party within the meaning of Section 373.114(1)(a) or 373.4275, F.S., may also seek appellate review of this order before the Land and Water Adjudicatory Commission under Section 373.114(1) or 373.4275, F.S. Requests for review before the Land and Water Adjudicatory Commission must be filed with the Secretary of the Commission and served on the Department within 20 days from the date when this order is filed with the Clerk of the Department.

Judicial Review

Once this decision becomes final, any party to this action has the right to seek judicial review pursuant to Section 120.68, F.S., by filing a Notice of Appeal pursuant to Florida Rules of Appellate Procedure 9.110 and 9.190 with the Clerk of the Department in the Office of General Counsel (Station #35, 3900 Commonwealth Boulevard, Tallahassee, Florida 32399-3000) and by filing a copy of the Notice of Appeal accompanied by the applicable filing fees with the appropriate district court of appeal. The notice must be filed within 30 days from the date this action is filed with the Clerk of the Department.

Executed in Temple Terrace, Florida.

STATE OF FLORIDA DEPARTMENT
OF ENVIRONMENTAL PROTECTION



Michael Lynch
Permitting Program Administrator
Southwest District

Attachments:

Project Drawings and Design Specs., 4 pages
Standard Manatee Construction Conditions 2011
Construction Commencement Notice/Form 62-330.350(1)
As-built Certification and Request for Conversion to Operational Phase/ Form 62-330.310(1)
Request for Transfer to the Perpetual Operation Entity/Form 62-330.310(2)
Request to Transfer Permit/Form 62-330.340(1)
Operation and Maintenance Inspection Certification/Form 62-330.311(1)

Copies furnished to:

Grady Timmins, Coastal Engineering Consultants, Inc., gtimmins@cecifl.com
Alan LaiHipp, Manatee County, alan.laihipp@mymanatee.org
Michael Lynch, DEP SWD, michael.lynch@floridadep.gov
Southwest District, FDEP, SW_ERP@floridadep.gov
Alexandria Moorehead, DEP SWD, alexandria.moorehead@floridadep.gov
U.S. Army Corps of Engineers, tampareg@usace.army.mil

CERTIFICATE OF SERVICE

The undersigned hereby certifies that this permit and authorization to use sovereignty submerged lands, including all copies, were mailed before the close of business on **Oct. 29, 2021**, to the above listed persons.

FILING AND ACKNOWLEDGMENT

FILED, on this date, under 120.52(7) of the Florida Statutes, with the designated Department Clerk, receipt of which is hereby acknowledged.

 Marie Harvey Oct. 29, 2021
Clerk Date

STANDARD MANATEE CONDITIONS FOR IN-WATER WORK

2011

The permittee shall comply with the following conditions intended to protect manatees from direct project effects:

- a. All personnel associated with the project shall be instructed about the presence of manatees and manatee speed zones, and the need to avoid collisions with and injury to manatees. The permittee shall advise all construction personnel that there are civil and criminal penalties for harming, harassing, or killing manatees which are protected under the Marine Mammal Protection Act, the Endangered Species Act, and the Florida Manatee Sanctuary Act.
- b. All vessels associated with the construction project shall operate at "Idle Speed/No Wake" at all times while in the immediate area and while in water where the draft of the vessel provides less than a four-foot clearance from the bottom. All vessels will follow routes of deep water whenever possible.
- c. Siltation or turbidity barriers shall be made of material in which manatees cannot become entangled, shall be properly secured, and shall be regularly monitored to avoid manatee entanglement or entrapment. Barriers must not impede manatee movement.
- d. All on-site project personnel are responsible for observing water-related activities for the presence of manatee(s). All in-water operations, including vessels, must be shutdown if a manatee(s) comes within 50 feet of the operation. Activities will not resume until the manatee(s) has moved beyond the 50-foot radius of the project operation, or until 30 minutes elapses if the manatee(s) has not reappeared within 50 feet of the operation. Animals must not be herded away or harassed into leaving.
- e. Any collision with or injury to a manatee shall be reported immediately to the Florida Fish and Wildlife Conservation Commission (FWC) Hotline at 1-888-404-3922. Collision and/or injury should also be reported to the U.S. Fish and Wildlife Service in Jacksonville (1-904-731-3336) for north Florida or Vero Beach (1-772-562-3909) for south Florida, and to FWC at ImperiledSpecies@myFWC.com
- f. Temporary signs concerning manatees shall be posted prior to and during all in-water project activities. All signs are to be removed by the permittee upon completion of the project. Temporary signs that have already been approved for this use by the FWC must be used. One sign which reads *Caution: Boaters* must be posted. A second sign measuring at least 8 ½" by 11" explaining the requirements for "Idle Speed/No Wake" and the shut down of in-water operations must be posted in a location prominently visible to all personnel engaged in water-related activities. These signs can be viewed at MyFWC.com/manatee. Questions concerning these signs can be sent to the email address listed above.

CAUTION: MANATEE HABITAT


All project vessels

IDLE SPEED / NO WAKE

When a manatee is within 50 feet of work
all in-water activities must

SHUT DOWN

Report any collision with or injury to a manatee:
Wildlife Alert:
1-888-404-FWCC(3922)
cell *FWC or #FWC



HIGHLAND SHORES BOAT RAMP REPAIR PERMIT DRAWINGS

PREPARED FOR:
MANATEE COUNTY BOARD OF COUNTY COMMISSIONERS

INDEX

1. COVER SHEET
2. EXISTING CONDITIONS
3. PROPOSED PLAN
4. PROPOSED TYPICAL SECTIONS

NOTES

1. SURVEY COMPLETED BY COASTAL ENGINEERING CONSULTANTS, INC., ON 3/11/2021.
2. POST-CONSTRUCTION BATHYMETRIC SURVEY COMPLETED BY COASTAL ENGINEERING CONSULTANTS, INC., ON 5/13/2019.
3. PLANE COORDINATES ARE BASED ON THE TRANSVERSE MERCATOR PROJECTION FOR THE WEST ZONE OF FLORIDA AND REFERENCED TO THE NORTH AMERICAN DATUM OF 1983 (NAD 83).
4. ELEVATIONS SHOWN HEREON ARE IN FEET AND TENTHS AND REFERENCED TO THE NORTH AMERICAN VERTICAL DATUM OF 1988 (NAVD 1988). REFERENCE BENCHMARK: W 565, EL. = 8.73 FT NAVD AND SAINT LUCIE, EL. = 6.90 FT NAVD.
5. SURVEY ACCURACY STANDARDS, QUALITY CONTROL, AND QUALITY ASSURANCE REQUIREMENTS WERE FOLLOWED DURING THIS SURVEY IN ACCORDANCE WITH USACE EM 1110-2-1003, HYDROGRAPHIC SURVEYING MANUAL, 11/30/2013.
6. INFORMATION SHOWN HEREON REFLECTS CONDITIONS AS THEY EXISTED ON THE SURVEY DATE SHOWN AND CAN ONLY BE CONSIDERED INDICATIVE OF CONDITIONS AT THAT TIME.
7. AERIAL PHOTOGRAPHY OBTAINED FROM THE FLORIDA DEPARTMENT OF TRANSPORTATION, DATED 2020.



LOCATION MAP
N.T.S.

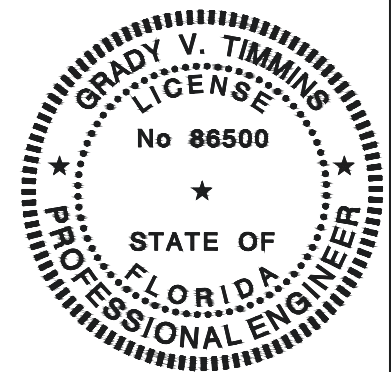
FOR PERMITTING
PURPOSES ONLY.
NOT TO BE USED FOR
CONSTRUCTION.

PUBLISHED TIDAL INFORMATION

TIDAL DATUMS AT BRADENTON, MANATEE RIVER
ARE BASED ON FLORIDA 872 6247 TIDE STATION,
PUBLISHED 05-11-2015.
LENGTH OF SERIES = 1 YEAR
TIME PERIOD = JANUARY 1977 - DECEMBER 1977
TIDAL EPOCH = 1983 - 2001
CONTROL TIDE STATION = 872 6520 ST PETERSBURG, TAMPA BAY

ELEVATIONS OF TIDAL DATUMS ARE REFERENCED IN
NAVD 1988.

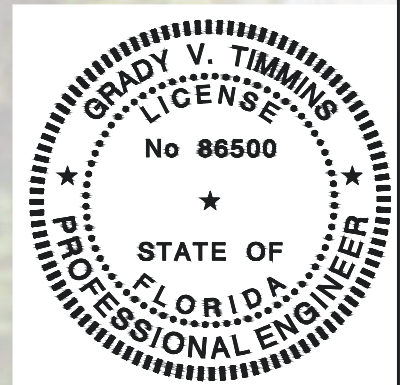
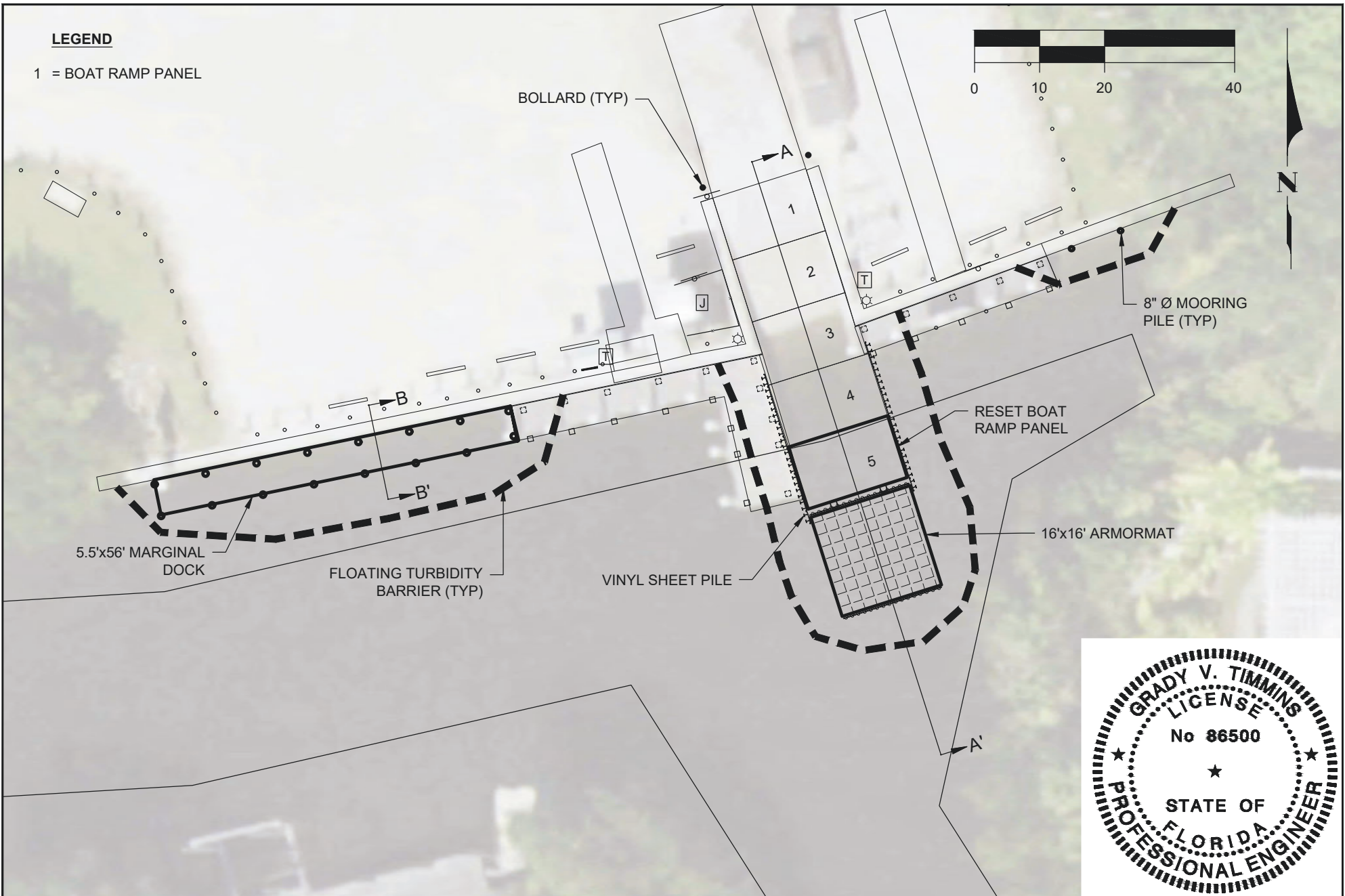
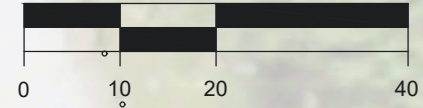
MEAN HIGH WATER (MHW) = +0.47 FT NAVD
MEAN TIDE LEVEL (MTL) = -0.35 FT NAVD
MEAN LOW WATER (MLW) = -1.18 FT NAVD
MEAN LOWER LOW WATER (MLLW) = -1.51 FT NAVD



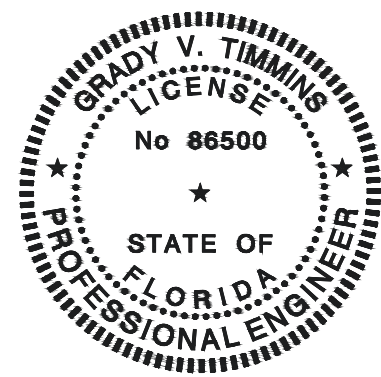
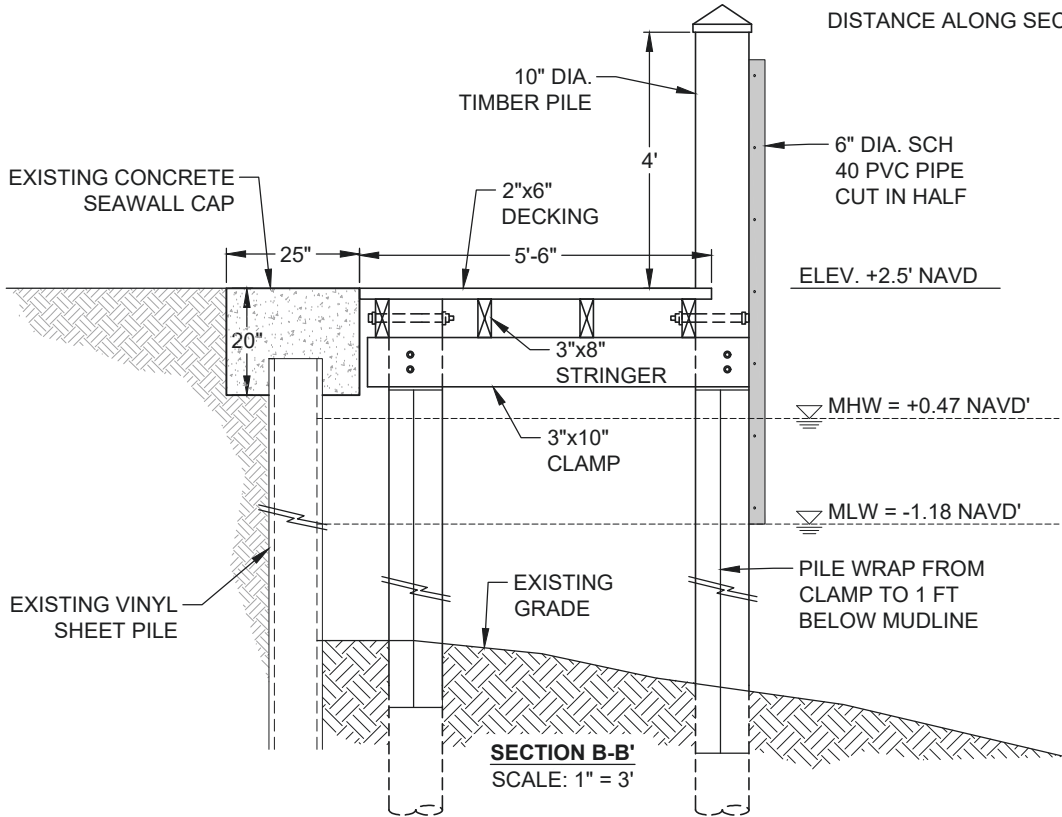
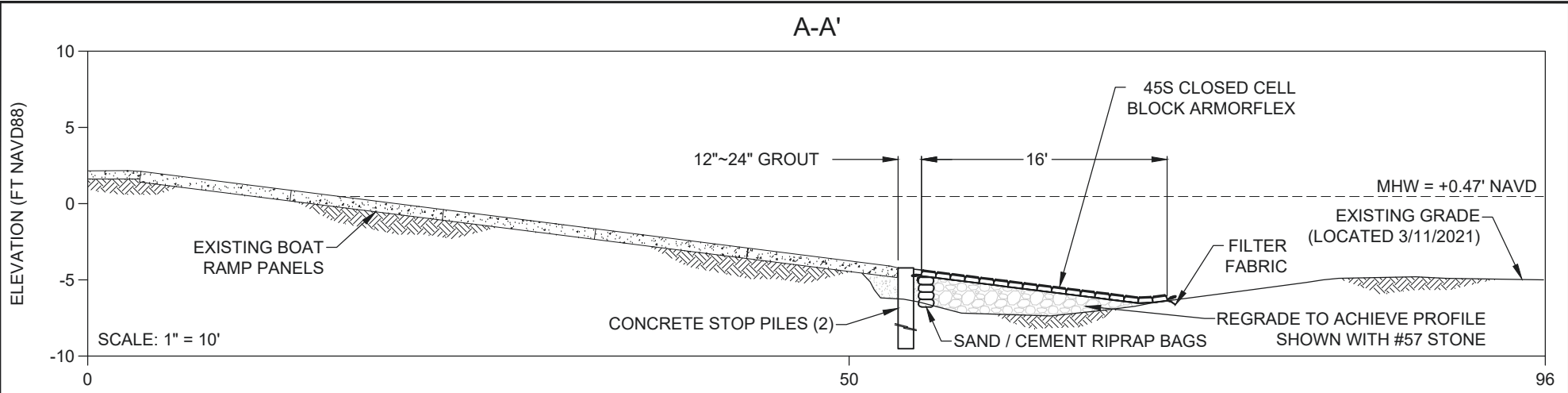
SHEET 1 FILE NO.: 20204-P-1 COASTAL ENGINEERING CONSULTANTS INC. Serving Florida Since 1977 28421 BONITA CROSSINGS BLVD BONITA SPRINGS, FLORIDA 34135 COASTAL & MARINE ENGINEERING ENVIRONMENTAL & GEOLOGICAL SERVICES SURVEY AND MAPPING ENGINEERING: CA 2464 SURVEYING: LB 2464 PHONE: (239)643-2324 FAX: (239)643-1143 www.coastalengineering.com E-Mail: info@cecifi.com	CLIENT:	MANATEE COUNTY	DATE:	6/14/2021	SCALE:	AS NOTED			
	TITLE:	HIGHLAND SHORES BOAT RAMP COVER SHEET	DRAWN:	GVT	F.B.				
			CHECKED:	MAK	PG.				
			SEC.	TWP.	RNG.				
			ACAD NO.	20204-P.dwg		1	8/27/2021	GVT	DEP RAI #1
		REF. NO.	20.204		NO.	DATE	BY	REVISION DESCRIPTION	

LEGEND

1 = BOAT RAMP PANEL



<p>SHEET 3 FILE NO.: 20204-P-3</p> <p>COASTAL ENGINEERING CONSULTANTS INC. Serving Florida Since 1977 28421 BONITA CROSSINGS BLVD BONITA SPRINGS, FLORIDA 34135</p>	<p>COASTAL & MARINE ENGINEERING ENVIRONMENTAL & GEOLOGICAL SERVICES SURVEY AND MAPPING ENGINEERING: CA 2464 SURVEYING: LB 2464</p>		<p>CLIENT: MANATEE COUNTY</p>	<p>DATE: 6/14/2021 SCALE: AS NOTED</p>			
	<p>PHONE: (239)643-2324 FAX: (239)643-1143 www.coastalengineering.com E-Mail: info@cecifl.com</p>		<p>TITLE: HIGHLAND SHORES BOAT RAMP PROPOSED PLAN</p>	<p>DRAWN: GVT F.B.</p>			
				<p>CHECKED: MAK PG.</p>			
				<p>SEC. TWP. RNG.</p>			
				<p>ACAD NO. 20204-P.dwg</p>	1	8/27/2021	GVT
			<p>REF. NO. 20.204</p>				REVISION DESCRIPTION



SHEET 4 FILE NO.: 20204-P4 COASTAL ENGINEERING CONSULTANTS INC. Serving Florida Since 1977 28421 BONITA CROSSINGS BLVD BONITA SPRINGS, FLORIDA 34135	COASTAL & MARINE ENGINEERING ENVIRONMENTAL & GEOLOGICAL SERVICES SURVEY AND MAPPING ENGINEERING: CA 2464 SURVEYING: LB 2464		CLIENT: MANATEE COUNTY	DATE: 6/14/2021 DRAWN: GVT CHECKED: MAK SEC.: TWP. RNG.	SCALE: AS NOTED F.B. PG.				
	TITLE: HIGHLAND SHORES BOAT RAMP PROPOSED TYPICAL SECTIONS			ACAD NO.: 20204-P.dwg	REF. NO.: 20.204	1 NO.	8/27/2021 DATE	GVT BY	DEP RAI #1 REVISION DESCRIPTION
	PHONE: (239)643-2324 FAX: (239)643-1143 www.coastalengineering.com E-Mail: info@cecif.com								
	28421 BONITA CROSSINGS BLVD BONITA SPRINGS, FLORIDA 34135								
	COASTAL & MARINE ENGINEERING ENVIRONMENTAL & GEOLOGICAL SERVICES SURVEY AND MAPPING ENGINEERING: CA 2464 SURVEYING: LB 2464								

OPERATION AND MAINTENANCE INSPECTION CERTIFICATION

Instructions: Submit this form to the Agency within 30 days of completion of the inspection after any failure of a stormwater management system or deviation from the permit. This form may also be used to document inspections required under Section 12.4 of Applicant's Handbook Volume I, however submittal to the Agency is not required unless requested by the Agency.

Permit No.: _____ Application No.: _____ Date Issued: _____

Identification or Name of Stormwater Management System: _____

Phase of Stormwater Management System (if applicable): _____

Inspection Date: _____

Inspection results: (check all that apply)

The undersigned hereby certifies that the works or activities are functioning in substantial conformance with the permit. This certification is based upon on-site observation of the system conducted by me or my designee under my direct supervision and my review of as-built plans.

The following maintenance was conducted since the last inspection (attach additional pages if needed):

The undersigned hereby certifies that I or my designee under my direct supervision has inspected this surface water management system and the system does not appear to be functioning in substantial conformance with the permit. I am aware that maintenance or alteration is required to bring the system into substantial compliance with the terms and conditions of the permit. As appropriate, I have informed the owner of the following:

- (a) The system does not appear to be functioning properly;
- (b) That maintenance or repair is required to bring the system into compliance; and
- (c) If maintenance or repair measures are not adequate to bring the system into compliance, the system may have to be replaced or an alternative design constructed subsequent to approval by the agency below.

The following components of the system do not appear to be functioning properly (attach additional pages if needed):

Any components of the constructed system that are not in substantial conformance with the permitted system shall require a written request to modify the permit in accordance with the provisions of Rule 62-330.315, F.A.C. If such modification request is not approved by the agency below, the components of the system that are not in conformance with the permit are subject to enforcement action under Sections 373.119, .129, .136, and .430, F.S.



Name of Inspector: _____ Florida Registration Number: _____

Company Name: _____

Mailing Address: _____

City: _____ State: _____ Zip Code: _____

Phone: _____ Fax: _____ Email: _____

Signature of Inspector

Date

Report Reviewed by Permittee:

Name of Permittee: _____

Signature of Permittee

Date

Title (if any)

As-Built Certification And Request for Conversion to Operation Phase

Instructions: Complete and submit this page within 30 days of completion of the entire project, or any independent portion of the project, as required by the permit conditions. The operation phase of the permit is effective when the construction certification for the entire permit/application is approved by the Agency. If the final operation and maintenance entity is not the permittee, the permittee shall operate the project, system, works, or other activities temporarily until such time as the transfer to the operation entity is finalized (use Form 62-330.310(2)).

Permit No: _____ Application No: _____ Permittee: _____
 Project Name: _____ Phase or Independent Portion (if applicable): _____

I HEREBY CERTIFY THAT (please check only one box):

- To the best of my knowledge, information, and belief, construction of the project has been completed in substantial conformance with the plans specifications and conditions permitted by the Agency. Any minor deviations will not prevent the project from functioning in compliance with the requirements of Chapter 62-330, F.A.C. Attached are documents to demonstrate satisfaction of the outstanding permit conditions, other than long term monitoring and inspection requirements.
- Construction of the project was NOT completed in substantial conformance with the plans and specifications permitted by the Agency. Any deviations or independent phasing will not prevent the project from functioning in compliance with the requirements of Chapter 62-330, F.A.C. (Contact the permitting agency to determine whether a modification of the permit will be required in accordance with Rule 62-330.315, F.A.C.) Attached is a description of substantial deviations, a set of as-built drawings, and documents to demonstrate satisfaction of the outstanding permit conditions, other than long term monitoring and inspection requirements.
- Construction of the project was NOT completed in substantial conformance with the plans and specifications permitted by the Agency. There are substantial deviations that prevent the project from functioning in compliance with the requirements of Chapter 62-330, F.A.C. I acknowledge that corrections to the project and/or a modification of the permit will likely be required, and that conversion to the operation phase cannot be approved at this time. As-built or record drawings reflecting the substantial deviations are attached.

For activities that require certification by a registered professional:

By: _____ (Print Name) (Fla. Lic. or Reg. No.)
Signature
 _____ (Company Name) _____ (Company Address)
 _____ (Telephone Number) _____ (Email Address)

AFFIX SEAL

(Date)

For activities that do not require certification by a registered professional:

By: _____ (Print Name)
Signature
 _____ (Company Name) _____ (Company Address)



(Telephone Number)

(Email Address)

(Date)



Drawings and Information Checklist

Following is a list of information that is to be verified and/or submitted by the Registered Professional or Permittee:

1. All surveyed dimensions and elevations shall be certified by a registered Surveyor or Mapper under Chapter 472, F.S.
2. The registered professional's certification shall be based upon on-site observation of construction (scheduled and conducted by the registered professional of record or by a project representative under direct supervision) and review of as-built drawings, with field measurements and verification as needed, for the purpose of determining if the work was completed in accordance with original permitted construction plans, specifications, and conditions.
3. If submitted, the as-built drawings are to be based on the permitted construction drawings revised to reflect any substantial deviations made during construction. Both the original design and constructed condition must be clearly shown. The plans need to be clearly labeled as "as-built" or "record" drawings that clearly highlight (such as through "red lines" or "clouds") any substantial deviations made during construction. As required by law, all surveyed dimensions and elevations required shall be verified and signed, dated, and sealed by an appropriate registered professional. The following information, at a minimum, shall be verified on the as-built drawings, and supplemental documents if needed:
 - a. Discharge structures - Locations, dimensions and elevations of all, including weirs, orifices, gates, pumps, pipes, and oil and grease skimmers;
 - b. Detention/Retention Area(s) – Identification number, size in acres, side slopes (h:v), dimensions, elevations, contours, or cross-sections of all, sufficient to determine stage-storage relationships of the storage area and the permanent pool depth and volume below the control elevation for normally wet systems,
 - c. Side bank and underdrain filters, or exfiltration trenches - locations, dimensions, and elevations of all, including clean-outs, pipes, connections to control structures, and points of discharge to receiving waters;
 - d. System grading - dimensions, elevations, contours, final grades, or cross-sections to determine contributing drainage areas, flow directions, and conveyance of runoff to the system discharge point(s);
 - e. Conveyance - dimensions, elevations, contours, final grades, or cross-sections of systems utilized to divert off-site runoff around or through the new system;
 - f. Benchmark(s) - location and description (minimum of one per major water control structure);
 - g. Datum- All elevations should be referenced to a vertical datum clearly identified on the plans, preferably the same datum used in the permit plans.
4. Wetland mitigation or restoration areas - Show the plan view of all areas, depicting a spatial distribution of plantings conducted by zone (if plantings are required by permit), with a list showing all species planted in each zone, numbers of each species, sizes, date(s) planted, and identification of source of material; also provide the dimensions, elevations, contours, and representative cross-sections depicting the construction.
5. A map depicting the phase or independent portion of the project being certified, if all components of the project authorized in the permit are not being certified at this time.
6. Any additional information or outstanding submittals required by permit conditions or to document permit compliance, other than long-term monitoring or inspection requirements.

REQUEST FOR TRANSFER OF ENVIRONMENTAL RESOURCE PERMIT TO THE PERPETUAL OPERATION ENTITY

Instructions: Complete this form to transfer to the permit to the operation and maintenance entity. This form can be completed concurrently with, or within 30 days of approval of the As-Built Certification and Request for Conversion to Operation Phase (Form 62-330.310(1)). Please include all documentation required under Section 12.2.1(b) of Applicant's Handbook Volume 1. (see checklist below). **Failure to submit the appropriate final documents will result in the permittee remaining liable for operation and maintenance of the permitted activities.**

Permit No.:	Application No(s).
Project Name:	Phase (if applicable):

A. **REQUEST TO TRANSFER:** The permittee requests that the permit be transferred to the legal entity responsible for operation and maintenance (O&M).

By: _____

Signature of Permittee	Name and Title
Company	Company Address
Phone	City, State, Zip

B. **AGREEMENT FOR SYSTEM OPERATION AND MAINTENANCE RESPONSIBILITY:** The below-named legal entity agrees to operate and maintain the works or activities in compliance with all permit conditions and provisions of Chapter 62-330, Florida Administrative Code (F.A.C.) and Applicant's Handbook Volumes I and II in perpetuity. Authorization for any proposed modification to the permitted activities shall be applied for and obtained prior to conducting such modification.

By: _____

Signature of Representative of O&M Entity	Name of Entity for O&M
Name and Title	Address
Email Address	City, State, Zip
Phone	Date

Enclosed are the following documents, as applicable:

- Copy of recorded transfer of title to the operating entity for the common areas on which the stormwater management system is located (unless dedicated by plat)
- Copy of all recorded plats
- Copy of recorded declaration of covenants and restrictions, amendments, and associated exhibits
- Copy of filed articles of incorporation and documentary evidence of active corporate status with the Department of State, Division of Corporations (for corporations)
- A completed, signed, and notarized affidavit attesting that the operating entity meets the requirements of Section 12.3 of Environmental Resource Permit Applicant's Handbook Volume I.(Note- this is optional, but aids in processing of this request)



REQUEST TO TRANSFER PERMIT

Instructions: Submit this form to the Agency within 30 days after any transfer of ownership or control of the real property where the permitted activity is located.

Note: Use of this form is not required when a valid permit is in the operation and maintenance phase. In such case, the owner must notify the Agency in writing within 30 days of a change in ownership or control of the entire real property, project, or activity covered by the permit. The notification may be letter, e-mail, or using this form, sent to the office that issued the permit. A processing fee is not required for this notice. The permit shall automatically transfer to the new owner or person in control, except in cases of abandonment, revocation, or modification of a permit as provided in Sections 373.426 and 373.429, F.S. (2012). If a permittee fails to provide written notice to the Agency within 30 days of the change in ownership or control, or if the change does not include the entire real property or activity covered by the permit, then the transfer must be requested using this form.

Permit No.: _____ Application No(s): _____ Date Issued: _____

Identification or Name of Surface Water Management System: _____

Phase of Surface Water Management System (if applicable): _____

PART 1: PROPOSED PERMIT HOLDER

The undersigned hereby notifies the Agency that I have acquired ownership or control of the land on which the permitted system is located through the sale or other legal transfer of the land. By signing below, I hereby certify that I have sufficient real property interest or control in the land in accordance with subsection 4.2.3 (d) of Applicant's Handbook Volume I; attached is a copy of my title, easement, or other demonstration of ownership or control in the land, including any revised plats, as recorded in the Public Records. I request that the permit be modified to reflect that I agree to be the new permittee. By so doing, I acknowledge that I have examined the permit terms, conditions, and drawings, and agree to accept all rights and obligations as permittee, including agreeing to be liable for compliance with all of the permit terms and conditions, and to be liable for any corrective actions required as a result of any violations of the permit after approval of this modification by the Permitting Agency. Also attached are copies of any recorded restrictive covenants, articles of incorporation, and certificate of incorporation that may have been changed as a result of my assuming ownership or control of the lands. As necessary, I agree to furnish the Agency with demonstration that I have the ability to provide for the operation and maintenance of the system for the duration of the permit in accordance with subsection 12.3 of Applicant's Handbook Volume I.

Name of Proposed Permit Holder: _____

Mailing Address: _____

City: _____ State: _____ Zip Code: _____

Telephone: _____ Fax: _____ E-mail: _____



Signature of Proposed Permittee

Date

Title (if any)

PART 2: RESPONSIBLE REGISTERED PROFESSIONAL

Name of Registered Professional who will be responsible for system inspections and reporting as required by Chapter 62-330, F.A.C. (if applicable): _____

Mailing Address: _____

City: _____

State: _____

Zip Code: _____

Telephone: _____

Fax: _____

E-mail: _____

Enclosures:

Copy of recorded transfer of title for surface water management system

Copy of plat(s)

Copy of recorded restrictive covenants, articles of incorporation, and certificate of incorporation

Other