



**INVITATION FOR BID  
(IFB) #11-1726-DS  
2011 Lift Station Rehab Group 2  
Project 402-0019707 6.2**

<b>LIFT STATION NAME</b>	<b>RTU #</b>	<b>LOCATION</b>
18-AA	484	14 <sup>th</sup> Street West
30-EE	333	11 <sup>th</sup> Street East
LWR Town Center 2	380	9025 Town Center Pkwy
LWR Town Center 3	382	6162 Lake Osprey Dr.
Palm Aire 10	450	5670 Country Lakes Dr.
Tide Vue 3	503	1407 45 Ave. Dr. E.

Manatee County, a political subdivision of the State of Florida, (hereinafter the "County") will receive sealed bids from individuals, corporations, partnerships, and other legal entities organized under the laws of the State of Florida or authorized to conduct business in the State of Florida.

**NON-MANDATORY INFORMATION CONFERENCE**

In order to insure that all prospective bidders have sufficient information and understanding of the County's needs, an Information Conference will be held **May 11, 2011 @ 3:00 PM at the Manatee County Public Works Department, Project Management Division, (Conference Room A) address 1022 26<sup>th</sup> Avenue East, Bradenton, FL 34208.** Attendance is not mandatory, but is highly encouraged.


**NOTE:** Article B. 05, page 00020-2; **Inspection of Site** – All potential contractors, it is mandatory that a site visit be performed at each location to familiarize yourselves with the full scope of the construction site.

**Site Visits:** Lift Station Site Visits may be coordinated with Mr. Jim Marble (941) 755-1853 x 5277.

**DEADLINE FOR CLARIFICATION REQUESTS:** June 9, 2011 at 2:00 PM  
(Reference Bid Article A.06)

**TIME AND DATE DUE:** June 24, 2011 at 3:00 PM  
Manatee County Purchasing, 1112 Manatee Avenue West, Bradenton, FL 34205

**Important Note:** Lobbying is prohibited (reference Bid Article A.08)

**FOR INFORMATION CONTACT:**  
**Donna M. Stevens (941) 749-3045**  
[donna.stevens@mymanatee.org](mailto:donna.stevens@mymanatee.org)  
AUTHORIZED FOR RELEASE: 

**TABLE OF CONTENTS**

00010 Information to Bidders .....	00010-2 - 11
00020 Basis of Award .....	00020-1 - 2
00030 Terms and Conditions .....	00030-1 - 8
00100 Bid Summary .....	00100-1 - 4
00150 Manatee County Local Preference.....	00150-1 - 4
00300 Bid Form .....	00300-1- 38
00430 Contractor's Questionnaire .....	00430-1 - 4
00491 Certification Forms.....	00491-1 - 4
00500 Form of Agreement .....	00500-1 - 5
00700 General Conditions .....	00700-1-19
Plan Set .....	11 pages
General Specifications.....	136 pages

## SECTION 00010

**INFORMATION TO BIDDERS****A.01 OPENING LOCATION**

These bids will be **publicly opened** at **Manatee County Purchasing, 1112 Manatee Avenue West, Suite 803, Bradenton, Florida 34205** in the presence of County officials at the time and date stated, or soon thereafter. All bidders or their representatives are invited to be present.

Any bids received after the stated time and date will not be considered. It shall be the sole responsibility of the bidder to have their bid delivered to the Manatee County Purchasing Division for receipt on or before the stated time and date. If a bid is sent by U.S. Mail, the bidder shall be responsible for its timely delivery to the Purchasing Division. Bids delayed by mail shall not be considered, shall not be opened at the public opening, and arrangements shall be made for their return at the respondent's request and expense.

**A.02 SEALED & MARKED**

**One original and two copies** of your **signed bid** shall be submitted in one **sealed package**, clearly marked on the outside **"Sealed Bid #11-1726-DS, 2011 Lift Station Rehab Group 2"** with your company name.

Address package to: Manatee County Purchasing Division  
1112 Manatee Avenue West, Suite 803  
Bradenton, Florida 34205

**A.03 SECURING OF DOCUMENTS**

Complete individual copies of the bidding documents for the project and/or products can be obtained, free of charge, at the Manatee County Public Works Department located at: 1022 26<sup>th</sup> Avenue East, Bradenton, FL 34208: **941-708-7450, Extension 7420 or 7334** between the hours of 8:00 AM to 4:00 PM, Monday through Friday, exception of holidays. Complete set of the bidding document must be used in preparing bids. The County assumes no responsibility for errors and misinterpretations resulting from the use of incomplete sets of bidding document.

**A.04 BID DOCUMENTS**

**Bids** on <http://www.mymanatee.org> , Bid documents and the Notices of Source Selection related to those Bids are available for download in a portable document format (.PDF) file on the Manatee County web page on the Purchasing tab under "Bids." You may view and print these files using Adobe Acrobat software. You may download a free copy of this software (Adobe) from the Owner's web page if you do not have it.

**Manatee County collaborates with the Manatee Chamber of Commerce** on distributing solicitations using the RFP Tool web page on the Chambers website: <http://www.Manateechamber.com> to post Bid documents in a portable document

#### A.04 BID DOCUMENTS (Continued)

format (.PDF) file. This step is in addition to the posting on Manatee County Government web pages.

Manatee County may also use an internet service provider to distribute Bids. A link to that service, <http://www.DemandStar.com>, is provided on this website under the Tab "DemandStar". Participation in the DemandStar system is not a requirement for doing business with Manatee County.

Note: The County posts the Notice of Source Selection seven calendar days prior to the effective date of the award.

IT IS THE RESPONSIBILITY OF EACH VENDOR, PRIOR TO SUBMITTING THEIR BID, TO CONTACT THE MANATEE COUNTY PURCHASING OFFICE (see contact information on page one of this document) TO DETERMINE IF ADDENDA WERE ISSUED AND TO MAKE SUCH ADDENDA A PART OF THEIR BID .

#### A.05 MODIFICATION OF BID SPECIFICATIONS

If a bidder wishes to recommend changes to the bid specifications, the bidder shall furnish in writing, data and information necessary to aid the Owner in evaluating the request to modify the specifications. The Owner is not obligated to make any changes to the bid specifications. Unless an addendum is issued, the bid specifications shall remain unaltered. **Bidders must fully comply with the bid specifications, terms, and conditions.**

#### A.06 DEADLINE FOR CLARIFICATION REQUESTS

**June 9, 2011 at 2:00 PM** shall be the deadline to submit all inquiries, suggestions, or requests concerning interpretation, clarification or additional information pertaining to the Invitation for Bids to the Manatee County Purchasing Office.

This deadline has been established to maintain fair treatment for all potential bidders, while maintaining the expedited nature of the Economic Stimulus that the contracting of this work may achieve.

#### A.07 CLARIFICATION & ADDENDA

Each bidder shall examine all Invitation For Bid documents and shall judge all matters relating to the adequacy and accuracy of such documents. Any inquiries, suggestions or requests concerning interpretation, clarification or additional information pertaining to the Invitation for Bids shall be made through the Manatee County Purchasing Office. The County shall not be responsible for oral interpretations given by any County employee, representative, or others. The issuance of a written addendum is the only official method whereby interpretation, clarification or additional information can be given.

**A.07 CLARIFICATION & ADDENDA (Continued)**

If any addenda are issued to this Invitation for Bid, the County will Broadcast the addenda on the Demand Star distribution system to "Planholders" on this web service, and post the documents on the Purchasing Division's web page at <http://www.myanatee.org> which can be accessed by clicking on the "Purchasing" button and then clicking on the "Bids" button. It shall be the responsibility of each bidder, prior to submitting their bid, to contact Manatee County Purchasing (see contact on page 1) to determine if addenda were issued and to make such addenda a part of their bid.

**A.08 LOBBYING**

After the issuance of any Invitation For Bid, prospective bidders, or any agent, representative or person acting at the request of such bidder shall not contact, communicate with or discuss any matter relating in any way to the Invitation For Bid with any officer, agent or employee of Manatee County other than the Purchasing Official or as directed in the Invitation For Bid. This prohibition begins with the issuance of any Invitation For Bid, and ends upon execution of the final contract or when the invitation has been canceled. Violators of this prohibition shall be subject to sanctions as provided in the Manatee County Purchasing Code.

The County reserves the right to amend or to add to the names listed as persons to contact. All amendments or additions to the names listed as persons to contact shall be issued by the Purchasing Division, in writing.

**A.09 UNBALANCED BIDDING PROHIBITED**

Manatee County recognizes that large and/or complex projects will often result in a variety of methods, sources and prices; however, where in the opinion of the County such variation does not appear to be justified, given bid specifications and industry and market conditions, the bid will be presumed to be unbalanced. Examples of unbalanced bids will include:

1. Bids showing omissions, alterations of form, additions not specified or required conditional or unauthorized alternate bids.
2. Bids quoting prices that substantially deviate, either higher or lower, from those included in the bids of competitive bidders for the same line item unit costs.
3. Bids where the unit costs offered are in excess of or below reasonable cost analysis values.

In the event the County determines that a bid is presumed unbalanced, it will request the opportunity to, and reserves the right to, review all source quotes, bids, price lists, letters of intent, etc., which the bidder obtained and upon which the bidder relied upon to develop the bid. The County reserves the right to reject as non-responsive any

**A.09 UNBALANCED BIDDING PROHIBITED (Continued)**

presumptive unbalanced bids where the bidder is unable to demonstrate the validity and/or necessity of the unbalanced unit costs.

**A.10 FRONT END LOADING OF BID PRICING PROHIBITED**

Prices offered for performance and/or acquisition activities to occur early in the project schedule, such as: mobilization, clearing and grubbing; or maintenance of traffic, that are substantially higher than pricing of competitive bidders within the same portion of the project schedule, will be presumed to be front end loaded. Front end loaded bids could reasonably appear to be an attempt to obtain unjustified early payments creating a risk of insufficient incentive for the Contractor to complete the work or otherwise creating an appearance of an under-capitalized bidder.

In the event the County determines that a bid is presumed to be front end loaded, it will request the opportunity to, and reserves the right to, review all source quotes, bids, price lists, letters of intent, etc., which the bidder obtained and upon which the bidder relied upon to develop the pricing or acquisition timing for these bid items. The County reserves the right to reject as non-responsive any presumptive front end loaded bids where the bidder is unable to demonstrate the validity and/or necessity of the front end loaded costs.

**A.11 WITHDRAWAL OF OFFERS**

Vendors may withdraw offers as follows: a) Mistakes discovered before the opening of a solicitation may be withdrawn by written notice from the bidder submitting the offer. This request must be received in the office designated for receipt of offers in the solicitation document prior to the time set for delivery and opening of the offers. A copy of the request shall be retained and the unopened offer returned to that vendor. b) After the responses to a solicitation are opened or a selection has been determined, but before a contract is signed, a vendor alleging a material mistake of fact may be permitted to withdraw their offer if: (1) the mistake is clearly evident on the solicitation document; or (2) the bidder submits evidence which clearly and convincingly demonstrates that a mistake was made. Request to withdraw an offer must be in writing and approved by the Purchasing Official.

**A.12 IRREVOCABLE OFFER**

Any bid may be withdrawn up until the date and time set for opening of the bid. Any bid not so withdrawn shall, upon opening, constitute an irrevocable offer for a period of 90 days to sell to Manatee County the goods or services set forth in the attached specifications until one or more of the bids have been duly accepted by the County.

**A.13 BID EXPENSES**

All expenses for making bids to the County are to be borne by the bidder.

#### A.14 RESERVED RIGHTS

The County reserves the right to accept or reject any and/or all bids, to waive irregularities and technicalities, and to request resubmission. Also, the County reserves the right to accept all or any part of the bid and to increase or decrease quantities to meet additional or reduced requirements of the County. Any sole response received by the first submission date may or may not be rejected by the County depending on available competition and current needs of the County. For all items combined, the bid of the lowest responsive, responsible bidder will be accepted, unless all bids are rejected. The lowest responsible bidder shall mean **that bidder who makes the lowest bid to sell goods and/or services of a quality which** conforms closest to or most exceeds the quality of goods and/or services set forth in the attached specifications or otherwise required by the County, and who is fit and capable to perform the bid as made.

To be responsive, a bidder shall submit a bid which conforms in all material respects to the requirements set forth in the Invitation For Bid. To be a responsible bidder, the bidder shall have the capability in all respects to perform fully the contract requirements, and the tenacity, perseverance, experience, integrity, reliability, capacity, facilities, equipment, and credit which will assure good faith performance. Also, the County reserves the right to make such investigation as it deems necessary to determine the ability of any bidder to furnish the service requested. Information the County deems necessary to make this determination shall be provided by the bidder. Such information may include, but shall not be limited to: current financial statements, verification of availability of equipment and personnel, and past performance records.

#### A.15 APPLICABLE LAWS

Bidder must be authorized to transact business in the State of Florida. All applicable laws and regulations of the State of Florida and ordinances and regulations of Manatee County will apply to any resulting agreement. Any involvement with any Manatee County procurement shall be in accordance with Manatee County Purchasing Code of Laws as amended. Any actual or prospective bidder who is aggrieved in connection with the solicitation or award of a contract may protest to the Board of County Commissioners of Manatee County as required in Section 2-26/61 of the Purchasing Code.

A protest with respect to this Invitation For Bid shall be submitted in writing prior to the scheduled opening date of this bid, unless the aggrieved person did not know and could not have been reasonably expected to have knowledge of the facts giving rise to such protest prior to the scheduled opening date of this bid. The protest shall be submitted within seven calendar days after such aggrieved person knows or could have reasonably been expected to know of the facts giving rise thereto.

#### A.16 COLLUSION

By offering a submission to this Invitation For Bid, the bidder certifies that he has not divulged, discussed or compared their bid with other bidder, and has not colluded with any other bidder or parties to this bid whatsoever. Also, bidder certifies, and in the case

**A.16 COLLUSION (Continued)**

of a joint bid each party thereto certifies as to their own organization, that in connection with this bid:

- a. any prices and/or cost data submitted have been arrived at independently, without consultation, communication, or agreement, for the purpose of restricting competition, as to any matter relating to such prices and/or cost data, with any other bidder or with any competitor;
- b. any prices and/or cost data quoted for this bid have not been knowingly disclosed by the bidder and will not knowingly be disclosed by the bidder, prior to the scheduled opening, directly or indirectly to any other bidder or to any competitor;
- c. no attempt has been made or will be made by the bidder to induce any other person or firm to submit or not to submit a bid for the purpose of restricting competition;
- d. the only person or persons interested in this bid, principal or principals is/are named therein and that no person other than therein mentioned has any interest in this bid or in the contract to be entered into; and
- e. no person or agency has been employed or retained to solicit or secure this contract upon an agreement or understanding or a commission, percentage, brokerage, or contingent fee excepting bona fide employees or established commercial agencies maintained by bidder for purpose of doing business.

**A.17 CODE OF ETHICS**

With respect to this bid, if any bidder violates or is a party to a violation of the Code of Ethics of Manatee County per Manatee County Purchasing Code Ordinance 08-43, Article 3, Ethics in Public Contracting, and/or the State of Florida per Florida Statutes, Chapter 112, Part III, Code of Ethics for Public Officers and Employees, such bidder may be disqualified from performing the work described in this bid or from furnishing the goods or services for which the bid is submitted and shall be further disqualified from submitting any future bids for work or for goods or services for Manatee County. The Owner anticipates that all statements made and materials submitted in a bid will be truthful. If a bidder is determined to be untruthful in its bid or any related presentation, such bidder may be disqualified from further consideration regarding this Invitation For Bid.

**A.18 BID FORMS**

Bids must be submitted on attached County forms, although additional pages may be attached.- **Bidders must fully complete all pages of the Bid Forms for both Bid A and Bid B. Bid Forms must be executed by an authorized signatory who has the legal authority to make the offer and bind the company. Bidders must fully comply with all bid specifications, terms and conditions.** Failure to comply shall result in contract default, whereupon, the defaulting vendor shall be required to pay for any and all re-procurement costs, damages, and attorney fees as incurred by the County.



**A.19 LEGAL NAME**

Bids shall clearly indicate the legal name, address and telephone number of the bidder. Bids shall be signed above the typed or printed name and title of the signer. The signer must have the authority to bind the bidder to the submitted bid.

**A.20 DRUG FREE WORK PLACE**

The Manatee County Board of County Commissioners adopted a policy regarding bidders maintaining a Drug Free Work Place, prohibiting the award of bids to any person or entity that has not submitted written certification to the County that it has complied with those requirements. A Drug Free Work Place Certification Form is attached to this bid for this purpose.

**A.21 PUBLIC CONTRACTING AND ENVIRONMENTAL CRIMES**

A person or affiliate who has been placed on the State's convicted vendor list following a conviction for a public entity crime, as that term is defined in Florida Statute § 287.133, may not submit a bid, proposal, or reply on a contract to provide any goods or services to a public entity; may not submit a bid, proposal, or reply on a contract with a public entity for the construction or repair of a public building or public work; may not submit bids, proposals or replies on leases of real property to a public entity; may not be awarded or perform work as a contractor, supplier, subcontractor, or consultant under a contract with any public entity; and may not transact business with any public entity in excess of the threshold amount provided in Florida Statute § 287.017 for CATEGORY TWO for a period of 36 months following the date of being placed on the convicted list.

In addition, the Manatee County Code prohibits the award of any contract to any person or entity who/which has, within the past 5 years, been convicted of, or admitted to in court or sworn to under oath, a public entity crime or of any environmental law that, in the reasonable opinion of the purchasing official, establishes reasonable grounds to believe the person or business entity will not conduct business in a responsible matter. To insure compliance with the foregoing, the Code requires all persons or entities desiring to contract with the County to execute and file with the purchasing official an affidavit, executed under the pain and penalties of perjury, confirming that person, entity and any person(s) affiliated with the entity, does not have such a record and is therefore eligible to seek and be awarded business with the County. In the case of a business entity other than a partnership or a corporation, such affidavit shall be executed by an authorized agent of the entity. In the case of a partnership, such affidavit shall be executed by the general partner(s). A Public Contracting and Environmental Crimes Certification is attached for this purpose.

**A.22 DISCOUNTS**

Any and all discounts must be incorporated in the prices contained in the bid and not shown separately. The prices as shown on the bid form shall be the price used in determining award.

**A.23 TAXES**

Manatee County is exempt from Federal Excise and State Sales Taxes. (F.E.T. Exempt Cert. No. 59-78-0089K; FL Sales Tax Exempt Cert. No. 85-8012622206C-6); therefore, the vendor is prohibited from delineating a separate line item in his bid for any sales or service taxes. Nothing herein shall affect the vendor's normal tax liability.

**A.24 DESCRIPTIVE INFORMATION**

Unless otherwise specifically provided in the specifications, all equipment, materials and articles incorporated in the work covered by this contract shall be new and of the most suitable grade for the purpose intended. Unless otherwise specifically provided in the specifications, reference to any equipment, material, article or patented process, by trade name, brand name, make or catalog number, shall be regarded as establishing a standard of quality and shall not be construed as limiting competition.

**A.25 AMERICANS WITH DISABILITIES ACT**

The Board of County Commissioners of Manatee County, Florida, does not discriminate upon the basis of any individual's disability status. This non-discrimination policy involves every aspect of the County's functions including one's access to, participation, employment, or treatment in its programs or activities. Anyone requiring reasonable accommodation for an **Information Conference** or **Bid Opening** should contact the person named on the first page of this bid document at least twenty-four (24) hours in advance of either activity.

**A.26 EQUAL EMPLOYMENT OPPORTUNITY CLAUSE**

Manatee County, in accordance with the provisions of Title VI of the Civil Rights Act of 1964 and the Regulations of the Department of Commerce (15 CFR, Part 8) issued pursuant to such Act, hereby notifies all vendors that it will affirmatively ensure that in any contract entered into pursuant to this advertisement, minority business enterprises will be afforded full opportunity to submit bids in response to this advertisement and will not be discriminated against on the grounds of race, color or national origin in consideration for an award.

**A.27 MBE/WBE**

The State of Florida, **Office of Supplier Diversity** provides the certification process and the database for identifying certified MBE/WBE firms. This service may be directly accessed at: <http://www.osd.dms.state.fl.us/iframe.htm>

If you have any questions regarding this State service, please contact their office at (850) 487-0915.

**A.28 MATHEMATICAL ERRORS**

In the event of multiplication/extension error(s), the unit price shall prevail. In the event of addition error(s) the extension totals will prevail. All bids shall be reviewed mathematically and corrected, if necessary, using these standards, prior to additional evaluation.

**A.29 DISCLOSURE**

Upon receipt, all inquires and responses to inquires related to this Invitation for Bid become "Public Records" and are subject to public disclosure consistent with Chapter 119, Florida Statutes.

**Bids become "Public Records" ten (10) days after the bid opening or if an award decision is made earlier than this time as provided by Florida Statue 119.071.** No announcement or review of the bid documents shall be conducted at the public opening of the bids.

Based on the above, Manatee County will receive bids at the date and time stated, and will make public at the opening the names of the business entities of all that submitted an offer and any amount presented as a total offer without any verification of the mathematics or the completeness of the offer. Upon the expiration of the statutory term for exemption the actual documents may be inspected or copied. When County staff have completed a mathematic validation and inspected the completeness of the offers, tabulation shall be posted on [www.mymanatee.org](http://www.mymanatee.org).

**NOTE: ANY OR ALL STATEMENTS CONTAINED IN THE FOLLOWING SECTIONS: BASIS OF AWARD, TERMS AND CONDITIONS OF THE CONTRACT, OR SPECIFICATIONS, WHICH VARY FROM THE INFORMATION TO BIDDERS, SHALL HAVE PRECEDENCE.**

**END OF SECTION A**

SECTION 00020  
**BASIS OF AWARD**

**B.01 BASIS OF AWARD**

Award shall be to the most responsive, responsible bidder meeting specifications and having the lowest Total Bid Price for **Bid "A"**, or the lowest Total Bid Price for **Bid "B"**, for the requirements listed on the Bid Form for the Work as set forth in this Invitation For Bid. Bid Prices shall include costs for furnishing all labor, equipment and/or materials for the completion of the Work in accordance with and in the manner set forth and described in the Contract Documents to the County's satisfaction within the prescribed time.

**Two schedules for Completion of the Work shall be considered. Each bid for completion by the specified stated time shall be offered as a separate "Total Bid Price". The County has the sole authority to select the bid based on the Completion Time which is in the best interest of the County. Only one award shall be made.**

In evaluating bids, the County shall consider the qualifications of the bidders; and if required, may also consider the qualifications of the subcontractors, suppliers, and other persons and organizations proposed. County may also consider the operating costs, maintenance requirements, performance data and guarantees of major items of materials and equipment proposed for incorporation in the Work.

Whenever two or more bids are equal with respect to price, quality and service, the bid received from a local business shall be given preference in award. Whenever two or more bids which are equal with respect to price, quality and service are received, and both bids and neither of these bids are received from a local business, the award shall be determined by a chance drawing conducted by the Purchasing Office and open to the public.

Local business is defined as a business duly licensed and authorized to engage in the sale of goods and/or services to be procured, which has a place of business in Manatee County with full time employees at that location.

**B.02 SUBCONTRACTORS**

Subcontractors shall be bound by the terms and conditions of this contract insofar as it applies to their Work, but this shall not relieve the prime contractor from the full responsibility of the County for the proper completion of all Work to be executed under this contract.

The employment of unauthorized aliens by any vendor is considered a violation of Section 274 (e) of the Immigration and Employment Act. If the vendor knowingly employs unauthorized aliens, such violation shall be cause for unilateral cancellation of this agreement.

**B.03 QUALIFICATIONS OF BIDDERS**

Each bidder must secure all licenses required (in accordance with Chapter 489 Florida Statutes) for the Work which is the subject of this bid; and, upon request, shall submit a true copy of all applicable licenses. The minimum license requirement for this project is a **Certified General Contractor's or Underground Utility Contractor's license**

To demonstrate qualifications to perform the Work, each bidder must be prepared to submit within five days of County's request; written evidence such as financial data, previous experience, present commitments and other such data as may be requested. Bidder must be able to provide evidence of Bidder's qualification to do business in the state of Florida. Each bidder shall submit as a portion of their bid, a completed Contractor's Questionnaire included as Section 00430.

A complete list of all subcontractors proposed for any portion of the Work may be requested of any Bidder deemed necessary by the County. Subcontracts shall be awarded only to those subcontractors considered satisfactory by the County.

**B.04 PREPARATION OF CONTRACT**

A written notice confirming award or recommendation thereof will be forwarded to the Successful Bidder accompanied by the required number of unsigned counterparts of the Agreement. Within 10 days thereafter, Successful Bidder shall sign and deliver the required number of counterparts of the Agreement with any other required documents to County. (Note: Contract must be approved in accordance with the Manatee County Code of Laws, Chapter 2-26, Manatee County Purchasing Ordinance and the Standard and Procedures approved by the County Administrator).

**B.05 INSPECTION OF SITE**

Prior to submitting a Bid Form, each bidder shall examine the site and all conditions thereon fully familiarizing themselves with the full scope of the project. Failure to become familiar with site conditions will in no way relieve the successful bidder from the necessity of furnishing any materials or performing any work that is required to complete the project in accordance with the plans and specifications.

**END OF SECTION B**

SECTION 00030  
**GENERAL TERMS AND CONDITIONS OF THE CONTRACT**

**C.01 CONTRACT FORMS**

The agreement resulting from the acceptance of a bid shall be in the form of the agreement stated in this bid.

**C.02 ASSIGNMENT OF CONTRACT**

Contractor shall not assign, transfer, convey, sublet or otherwise dispose of this Contract or of his right, title, or interest therein, or his power to execute such Contract, or to assign any monies due or to become due there under to any other person, firm or corporation unless first obtaining the written consent of the County. The giving of such consent to a particular subcontractor assignment shall not dispense with the necessity of such consent to any further or other assignment.

**C.03 COMPLETION OF WORK**

The Work will be completed and ready for final inspection within the specified calendar days from the date the Contract Time commences to run. Two bids shall be considered based on **Bid "A" 325 calendar days** and **Bid "B" based on 365 calendar days**. The County has the sole authority to select the bid based on the Completion Time which is in the best interest of the County. Only one award shall be made.

**C.04 LIQUIDATED DAMAGES**

If the Contractor refuses or fails to prosecute the Work, or any separable part thereof, with such diligence as will hinder its completion within the time specified, the County may seek damages. The actual damages for delay will be impossible to determine and in lieu thereof, the Contractor shall pay to the County the sum of **\$566.00** as fixed, agreed, and liquidated damages for each calendar day of the delay until the Work is finally accepted by the County and the Contractor and his Surety shall be liable for the amount thereof.

**C.05 PAYMENT**

Contractor may apply for partial payment on monthly estimates, based on the amount of Work done or completed in compliance with the provisions of the Contract. Contractor shall submit an application, on a standard pay application form provided or approved by the County, of an approximate estimate of the proportionate value of the Work done, items and locations of the Work performed up to and including the last day of the period then ending. The County will then review said estimate and make any necessary revisions so that the estimate can receive approval for payment. If the Contractor and the County do not agree on the approximate estimate of the proportionate value of the Work done for any pay period, the determination of the County will be binding. The amount of said estimate after deducting any required retainage and all previous payments shall be due and payable to the Contractor within 20 days after the pay estimate has been approved by the County. It is the Contractor's responsibility for the care of the materials.

#### C.05 PAYMENT (Continued)

Any damage to or loss of said materials is the full responsibility of the Contractor. Any Periodical Pay Estimate signed by the Contractor shall be final as to the Contractor for any or all work covered by the Periodical Pay Estimate.

Any requests for payment of materials stored on site must be accompanied with a paid receipt. The Contractor warrants and guarantees that title to all work, materials and equipment covered by any application for payment, whether incorporated in the project or not, will pass to the County at the time of payment free and clear of all liens, claims, security interests and encumbrances (hereafter referred to as "Liens").

The Contractor agrees to furnish an affidavit stating that all laborers, material men, and subcontractors have been paid on the project for Work covered by the application for payment and that a partial or complete release of lien, as may be necessary, be properly executed by the material men, laborers, subcontractors on the project for Work covered by the application for payment, sufficient to secure the County from any claim whatsoever arising out of the aforesaid Work.

When the Contractor has completed the Work in compliance with the terms of the Contract Documents, he shall notify the County in writing that the project is ready for final inspection. The County will then advise the Contractor as to the arrangements for final inspection and what Work, if any, is required to prepare the project or a portion thereof for final inspection. When the County determines the project or portion thereof is ready for final inspection, the County shall perform same. Upon completion of final inspection, the County will notify Contractor of all particulars in which this inspection reveals that the Work is incomplete or defective. Contractor shall immediately take such measures as are necessary to complete such Work or remedy such deficiencies. When all such errors have been corrected, a final re-inspection will be made. The process will be repeated until, in the opinion of the County, the project has been completed in compliance with the terms of the Contract Documents.

When final acceptance has been made by the County, the County will make final payment of the Contract amount, plus all approved additions, less approved deductions and previous payments made. The Contract will be considered complete when all work has been finished, the final inspection made, approved as-builts received, and the project finally accepted in writing by the County. The Contractor's responsibility shall then terminate except as otherwise stated.

#### C.06 RETAINAGE

A **retainage** of 2.5% of the total contract amount shall be withheld from payments after 75% completion of the Work. Upon substantial completion, this retainage shall be reduced to 1% of the total contract amount plus such amount as the County may reasonably deem necessary to repair, replace, complete or correct any damaged, defective, incorrect or incomplete work. Upon final acceptance, the remaining retainage shall be included in the final payment.

**C.07 WARRANTY AND GUARANTEE PROVISIONS**

All work, materials, and equipment furnished as defined herein shall be guaranteed and warranted by the contractor for a minimum period of three (3) years, unless otherwise specified, from final acceptance by the County to be free from defects due either to faulty materials or equipment or faulty workmanship.

All materials, equipment, and workmanship furnished and installed by the contractor is warranted and guaranteed by the contractor to be such as to meet the required standards and to accomplish the purposes and functions required standards and to accomplish the purposes and functions of the project as defined, detailed, and specified herein.

The County shall, following discovery thereof, promptly give written notice to the contractor of faulty materials, equipment, or workmanship within the period of the guarantee and the contractor shall promptly replace any part of the faulty equipment, material, or workmanship at his own cost. These warranty and guarantee provisions create no limitations on the County as to any claims or actions for breach of guaranty or breach of warranty that the County might have against parties other than the contractor, and do not constitute exclusive remedies of the County against the contractor.

**C.8 ROYALTIES AND PATENTS**

The contractor shall pay all royalties and license fees for equipment or processes in conjunction with the equipment and/or services being furnished. Contractor shall defend all suits or claims for infringement of any patent, trademark or copyright, and shall save the County harmless from loss on account thereof, including costs and attorney's fees.

**C.9 AUTHORIZED PRODUCT REPRESENTATION**

The contractor, by virtue of submitting the name and specifications of a manufacturer's product, will be required to furnish the named manufacturer's product. Failure to perform accordingly may, in the County's sole discretion, be deemed a breach of contract, and shall constitute grounds for the County's immediate termination of the contract.

**C.10 REGULATIONS**

It shall be the responsibility of the bidder to assure compliance with any OSHA, EPA and/or other federal or state of Florida rules, regulations or other requirements, as each may apply.



### C.11 CANCELLATION

Any failure of the contractor to furnish or perform the Work (including, but not limited to, commencement of the Work, failure to supply sufficient skilled workers or suitable materials or equipment) in accordance with the contract, the County may order the stop of the Work, or any portion thereof, until the cause for such order has been eliminated. If the contractor persistently fails to perform the Work in accordance with the contract, the County reserves the right to terminate the contract and select the next qualified bidder or re-advertise this procurement in part or in whole. The County reserves the right to cancel all or any undelivered or unexecuted portion of this contract with or without cause.

### C.12 INDEMNIFICATION

The contractor covenants and agrees to indemnify and save harmless the County, its agents and employees, from and against all claims, suits, actions, damages, causes of action, or judgments arising out of the terms of the resulting agreement for any personal injury, loss of life, or damage to the property sustained as a result of the performance or non-performance of services or delivery of goods; from and against any orders, judgments, or decrees, which may be entered against the County, its agents or employees; and from and against all costs, attorney's fees, expenses and other liabilities incurred in the defense of any such claim, suit or action, and the investigation thereof. Nothing in the award, resulting agreement, contract or Purchase Order shall be deemed to affect the rights, privileges and immunities of the County as set forth in Florida Statute Section 768.28.

### C.13 MANUALS, SCHEMATICS, HANDBOOKS (IF APPLICABLE)

All manuals, schematics and handbooks shall be provided which are applicable to the equipment delivered. An operators manual, parts manual and technician manual must also be provided. Parts lists (manuals) must include OEM part numbers for items not manufactured by the bidder. Vendor shall furnish two (2) copies of each.

### C.14 INSURANCE

The contractor will not commence work under a contract until all insurance under this section and such insurance coverage as might be required by the County has been obtained. The contractor shall obtain, and submit to purchasing within 10 calendar days of request, at his expense, the following minimum amounts of insurance (inclusive of any amounts provided by an umbrella or excess policy):

- a. Workers' Compensation/Employers' Liability  
Part One - There shall be no maximum limit (other than as limited by the applicable statute) for liability imposed by Florida Workers' Compensation Act or any other coverage required by the contract documents which are customarily insured under Part One of the standard Workers' Compensation Policy.

C.14 INSURANCE (Continued)

Part Two - The minimum amount of coverage required by the contract documents which are customarily insured under Part Two of the standard Workers' Compensation Policy shall be:

<u>\$100,000</u>	(Each Accident)
<u>\$500,000</u>	(Disease-Policy Limit)
<u>\$100,000</u>	(Disease-Each Employee)

b. Commercial General Liability

The limits are to be applicable only to work performed under this contract and shall be those that would be provided with the attachment of the Amendment of Limits of Insurance (Designated Project or Premises) endorsement (ISO Form CG 25 03) a Commercial General Liability Policy with the following minimum limits.

General Aggregate:

Products/Completed Operations Aggregate	<u>\$1,000,000</u>
Personal and Advertising Injury	<u>\$1,000,000</u>
Each Occurrence	<u>\$1,000,000</u>
Fire Damage (Any One Fire)	<u>\$Nil</u>
Medical Expense (Any One Person)	<u>\$Nil</u>

c. Business Auto Policy

Each Occurrence Bodily Injury and Property Damage Liability Combined	<u>\$300,000</u>
Annual Aggregate (if applicable):	<u>\$1,000,000</u>

d. County's Protective Liability Coverage

The minimum OPC Policy limits per occurrence and, if subject to an aggregate, annual aggregate to be provided by the contractor shall be the same as the amounts shown above as the minimum per occurrence and general policy aggregate limits respectively required for the Commercial General Liability coverage. The limits afforded by the OPC Policy and any excess policies shall apply only to the County and the County's officials, officers, agents and employees and only to claims arising out of or in connection with the work under this contract.

e. Property Insurance

**If this contract includes** construction of or additions to above ground buildings or structures, contractor shall provide "**Builder's Risk**" insurance with the minimum amount of insurance to be 100% of the value of such addition(s), building(s), or structure(s).

**C.14 INSURANCE (Continued)****f. Installation Floater**

**If this contract does not include** construction of or additions to above ground building or structures, **but does involve** the installation of machinery or equipment, contractor shall provide an "**Installation Floater**" with the minimum amount of insurance to be 100% of the value of such addition(s), building(s), or structure(s).

**g. Certificates of Insurance and Copies of Policies**

Certificates of Insurance in triplicate evidencing the insurance coverage specified in the six above paragraphs a., b., c., d., e., and f., shall be filed with the Purchasing Official before operations are begun. The required certificates of insurance shall name the types of policy, policy number, date of expiration, amount of coverage, companies affording coverage, and also shall refer specifically to the bid number, project title and location of project. Insurance shall remain in force at least one year after completion and acceptance of the project by the County, in the amounts and types as stated herein, with coverage for all products and services completed under this contract.

**ADDITIONAL INSURED: The contractor shall name Manatee County as additional insured in each of the applicable policies.**

If the initial insurance expires prior to the completion of operations and/or services by the contractor, renewal certificates of insurance and required copies of policies shall be furnished by the contractor and delivered to the Purchasing Official thirty (30) days prior to the date of their expiration.

Nothing herein shall in any manner create any liability of the County in connection with any claim against the contractor for labor, services, or materials, or of subcontractors; and nothing herein shall limit the liability of the contractor or contractor's sureties to the County or to any workers, suppliers, material men or employees in relation to this contract.

**C.15 BID BOND/CERTIFIED CHECK**

By offering a submission to this Invitation For Bid, the bidder agrees should the bidder's bid be accepted, **to execute the form of contract and present the same to Manatee County for approval within 10 days after being notified of the awarding of the contract.** The bidder further agrees that failure to execute and deliver said form of contract **within 10 days** will result in damages to Manatee County and as guarantee of payment of same a bid bond/certified check shall be enclosed within the submitted sealed bid in the amount of five (5%) percent of the total amount of the bid.

C.15 BID BOND/CERTIFIED CHECK (Continued)

The bidder further agrees that in case the bidder fails to enter into a contract, as prescribed by Manatee County, the bid bond/certified check accompanying the bid shall be forfeited to Manatee County as agreed liquidated damages. If the County enters into a contract with a bidder, or if the County rejects any and/or all bids, accompanying bond will be promptly returned.

C.16 PERFORMANCE AND PAYMENT BONDS

The successful bidder shall furnish surety bonds as security for faithful performance of the contract awarded as a result of this bid, and for the payment of all persons performing labor and/or furnishing material in connection therewith. Surety of such bonds shall be in an amount equal to the bid award (100% each) and from a duly authorized and nationally recognized surety company, authorized to do business in Florida, satisfactory to this County. The attorney-in-fact who signs the bonds must file with the bonds a certificate and effective dated copy of power-of-attorney. (Reference Florida Statute 255.05)

Furnishing the performance and payment bonds shall be requisite to execution of a contract with the County. Said performance and payment bonds will remain in force for the duration of the contract with the premiums paid by the contractor. Failure of successful bidder to execute such contract and to supply the required bonds shall be just cause for annulment of the award.

The County may then contract with another acceptable bidder or re-advertise this Invitation For Bid. If another bidder is accepted, and notice given within 90 days after the opening of bids, this acceptance shall bind the bidder as though they were originally the successful bidder.

Failure of the County at any time, to require performance by the contractor of any provisions set out in the contract will in no way affect the right of the County, thereafter, to enforce the provisions. Bonds to remain in effect for one year after final payment becomes due.

C.17 NO DAMAGES FOR DELAY

No claim for damages or any claim other than for an extension of time shall be made or asserted against the County by reason of any delays. The Contractor shall not be entitled to an increase in the Total Contract Price or payment or compensation of any kind from the County or direct, indirect, consequential impact or other costs, expenses for damages, including but not limited to costs of acceleration or inefficiency arising because of delay, disruption, interference or hindrance from any cause whatsoever; provided, however, that this provision shall not preclude recovery or damages by the Contractor for hindrance or delays due solely to fraud, bad faith, or active interference on part of the County or its agents. Otherwise, the Contractor shall only be entitled to extensions of the Contract Time as the sole and exclusive remedy for such resulting delay, in accordance with and to the extent specifically provided above.

**C.18 NO INTEREST**

Any monies not paid by the County when claimed to be due to the Contractor under this Contract shall not be subject to interest including prejudgment interest. Any monies not paid by the County when claimed to be due to the Contractor for damages awarded in the case of construction delays shall not be subject to prejudgment interest.

**C.19 CONSTRUCTION OF CONTRACT**

This Contract and the rights and responsibilities hereunder shall not be construed more strongly against either party, regardless of the extent to which such party may have participated in the preparation hereof.

**C.20 BE GREEN**

All Vendors/Bidders/Quoters/Proposers (*as applicable*) are encouraged to use as many **environmentally preferable** "green" products, materials, supplies, etc. as possible in order to promote a safe and healthy environment. **Environmentally preferable are products or services that have a reduced adverse effect on the environment.** Provide detail of your organization's initiative and its ability to meet the goal of environmental sustainability.

**END OF SECTION C**

## SECTION 00100 BID SUMMARY

### D.01 THE WORK

The work included in this contract consists of the rehabilitation of six (6) sewage lift stations, which includes, but is not limited to, the replacement of discharge piping, fitting, valves, swing valves, guide rails, pipe bracing, base ells, mounting plates, wet well cleaning, wet well lining and/or wet well/valve vault top replacement. See individual plan sheets for specific rehabilitation requirements for each lift station.

The Contractor shall furnish all shop drawings, working drawings, labor, materials, equipment, tools, services and incidentals necessary to complete all work required by these Specifications, the current Manatee County Public Works Utility Standards, and as shown on the Contract Drawings.

The Contractor shall perform the work complete, in place and ready for continuous service and shall include any repairs, replacements, and/or restoration required as a result of damages caused prior to acceptance by the County.

The Contractor is responsible for any work and incidentals involved in obtaining any and all required permits. The Contractor shall furnish and install all materials, equipment and labor which are reasonably and properly inferable and necessary for the proper completion of the work, whether specifically indicated in the Contract Documents or not.

### D.02 SUBCONTRACTORS, SUPPLIERS AND OTHERS

The identity of subcontractors, suppliers, and other persons and organizations (including those who are to furnish the principal items of material and equipment) may be requested by the County for each bid item from any of the Bidders; and the Bidder shall respond within five days after the date of such request. Such list shall be accompanied by an experience statement with pertinent information regarding similar projects and other evidence of qualification for each such subcontractor, supplier, persons or organization if requested by County. If County, after due investigation, has reasonable objection to any proposed subcontractor, supplier, other person or organization, County may, before the Notice of Award is given, request the apparent successful Bidder to submit an acceptable substitute without an increase in Contract Price or Contract Time.

If apparent successful Bidder declines to make any such substitution, County may award the contract to the next lowest qualified Bidder that proposes to use acceptable subcontractors, suppliers, and other persons who County does not make written objection to Contractor shall not be required to employ any subcontractor, supplier, other person or organization who Contractor has reasonable objection to.

**D.02 SUBCONTRACTORS, SUPPLIERS AND OTHERS (Continued)**

Subcontractors shall be bound by the terms and conditions of this contract insofar as it applies to their Work, but this shall not relieve the prime contractor from the full responsibility to the County for the proper completion of all Work to be executed under this contract.

**D.03 BIDS**

Bids are to be submitted in triplicate, one original and two copies, upon the County supplied forms. All blank spaces must be filled in as noted with amounts extended and totaled and no changes shall be made in the wording of the forms or in the items mentioned therein. In the event a change is made in your submittal, the Bidder shall write its initials by the change. Any bid may be rejected which contains any omissions, alterations, irregularities of any kind, or which shall in any manner fail to conform to bid requirements.

A bid made by an individual, either in his/her own or proper person or under a trade or firm name, shall be executed under the individual's signature. If made by a partnership, the bid shall be executed by two or more of the general partners. If made by a corporation, the bid shall be executed by its President or other legally authorized corporate officer or agent.

**D.04 EXAMINATION OF CONTRACT DOCUMENTS AND SITE**

It is the responsibility of each Bidder before submitting a Bid, to (a) examine the Bid Documents thoroughly; (b) visit the site to become familiar with local conditions that may affect cost, progress, performance, or furnishing of the Work; (c) consider federal, state, and local codes, laws, and regulations that may affect costs, progress, performance, or furnishing of the Work; (d) study and carefully correlate Bidder's observations with the Bid Documents; and (e) notify County of all conflicts, errors, or discrepancies in the Bid Document.

The accuracy of the existing utility locations shown on the plans is approximate and without express or implied warranty. Each Bidder may, at Bidder's own expense, make or obtain any additional examinations, investigations, explorations, tests and studies, and obtain any additional information and data which pertain to the physical conditions at or contiguous to the site or otherwise which may affect cost, progress, performance or furnishing of the Work and which Bidder deems necessary to determine his Bid for performing and furnishing the Work in accordance with the time, price and other terms and conditions of the Contract Documents. County will provide each Bidder access to the site to conduct such explorations and tests. Bidder shall fill all holes, clean up and restore the site to its former condition upon completion of such explorations. The lands upon which the Work is to be performed, rights-of-way and easements for access thereto, and other lands designated for use by Contractor in performing the Work are identified in the Contract Documents.

**D.04 EXAMINATION OF CONTRACT DOCUMENTS AND SITE (Continued)**

All additional lands and access thereto required for temporary construction facilities or storage of materials and equipment are to be provided by Contractor. Easements for permanent structures or permanent changes in existing structures are to be obtained and paid for by County unless otherwise provided in the Contract Documents.

**D.05 MATERIALS AND WORKMANSHIP**

All materials and apparatus required for this Work, except as specifically specified otherwise, shall be new, of first class quality, and shall be furnished, delivered, connected and finished in every detail. Construction shall be prescribed by good industry practice and in accordance with manufacturer's recommendations for the type being installed.

Use skilled workman trained and experienced in the necessary trades and who are completely familiar with the specified requirements and the methods needed for proper performance of the Work of this section.

**D.06 REGULATIONS AND MATERIAL DISPOSAL**

It shall be the responsibility of the contractor to assure compliance with any OSHA, EPA, federal, state, and/or local rules, regulations or other requirements as each may apply.

**D.07 PROJECT CLOSE-OUT**

Clean construction site and remove any and all excess materials. Correct any damages to property that may have occurred as a result of installation and/or delivery. Repair and patch all surfaces cut for installation. The Contractor shall remedy any deficiencies promptly should the County determine any work is incomplete or defective.

When the County determines the Work is acceptable in accordance with this Invitation for Bid, the Contractor shall provide the close out submittals, including but not necessarily limited to the following:

- |       |                                   |                   |
|-------|-----------------------------------|-------------------|
| 1 set | Certificate of warranties         |                   |
| 1 set | Manufacturer's product literature | (when applicable) |
| 1 set | Project Record Drawings           |                   |
| 1 set | Subcontractor Information         | (when applicable) |



**D.08 DISCRETIONARY WORK**

This Bid Item entails minor increases (that may be directed by staff) to existing bid item quantities or minor modification items not bid which were unforeseen and necessary during the construction to provide a safe, complete project in accordance with Bid Documents. (This will not affect the requirement for change orders involving major modifications to the project.) Payment for all Work under this item shall be made only at the County's discretion in order to satisfactorily complete the project. In general, this item is for unanticipated conflicts and/or design changes required during construction which are necessary to complete the project without changing the initial scope of Work and without costly delays.

**D.09 PROGRESS REQUIREMENTS**

Bidders shall take notice of progress requirements detailed in the Contract Documents, Section 01010, Summary of Work, Article 1.03; Work Sequence, Page 13/136.

**END OF SECTION D**

## SECTION 00150

**MANATEE COUNTY LOCAL PREFERENCE LAW AND VENDOR REGISTRATION****E.01 Vendor Registration**

All vendors are encouraged to register with Manatee County using the on-line "Vendor Registration" web page on [www.mymanatee.org](http://www.mymanatee.org).

Enclosed are a copy of the current Manatee County law that details the County's Local Preference and the County's definition of a Local Business.

If you assert that your firm meets the stated definition of a Local Business, we ask that in addition to registering on the County's Web page, you fill out the attached "**Affidavit As To Local Business Form**" that is included in this section, have the completed document notarized, and mail the original to the following address: Manatee County Administration Center, 1112 Manatee Avenue West, Suite 803, Bradenton, FL 34205.

Your cooperation in registering your business with Manatee County will enhance our opportunities to identify sources for goods and services, plus identify Local Businesses. This information is used for soliciting quotations up to \$250,000.00 and for competitive solicitations of larger purchases.

You will note that Manatee County collaborates with the Manatee Chamber of Commerce, posting bids on [www.manateechamber.com](http://www.manateechamber.com) as well as using the same vendor categories for registration.

Our staff can assist you with your registration as needed. Our office hours are 8:00 A.M. to 5:00 P.M., Monday through Friday on regular business days. Please call (941) 749-3014 if you wish to have a purchasing staff member assist you.

**Quick steps to registration:**                      **[www.mymanatee.org](http://www.mymanatee.org)**

A link to "Purchasing" is listed under "Quick Links" on page one of the County Web Site.

On the left hand side of the Purchasing Web page, click on "Vendor Registration".

This will bring up the Vendor Registration form for on-line input. Please note that the definition of a "Local Business" changed on March 17, 2009. The Web page will be updated to include the current Law which has been provided in this section of the bid.

Thank you for reviewing this information and considering registering your business with Manatee County. Registration is not mandatory; however, by taking the time to register, you are helping the County to provide timely notifications of quotation, bid and proposal opportunities to your business.

**E.02 Section 2-26-6. Local preference, tie bids, local business defined.**

(a) Whenever a responsible local business bidder and a responsible non-local business bidder are found, upon the opening of bids, to have both submitted the lowest responsive bid, the bid of the local bidder shall be awarded the contract. Should more than one responsible local business bidder match the responsible non-local business bidder's lowest responsive bid, or should no responsible local business bidder match the lowest responsive bid but two or more responsible non-local business bidders submit lowest responsive bids for equal amounts, then the award of the contract shall be determined by a chance drawing, coin toss, or similar tie-breaking method conducted by the purchasing office and open to the public. Any bidders seeking to be recognized as local businesses for purposes of this local business preference provision may be required by the terms of the bid announcement to certify they meet the definition of local business set forth in this section, and to register as a local business with the County in the manner prescribed by the County to facilitate the County's ability to track the award of contracts to local businesses and to allow the County to provide future notifications to its local businesses concerning other bidding opportunities.

(b) Nothing herein shall be deemed to prohibit the inclusion of requirements with respect to operating and maintaining a local place of business in any invitation for bids when the bidder's location materially affects the provisions of the services or supplies that are required by the invitation.

**(c) Local business is defined as a business legally authorized to engage in the sale of the goods and/or services to be procured, and which certifies within its bid that for at least six (6) months prior to the announcement of the solicitation of bids it has maintained a physical place of business in Manatee, Desoto, Hardee, Hillsborough, Pinellas or Sarasota County with at least one full-time employees at that location.**

(d) **Each solicitation for bids made by the County shall contain terms expressly describing the local business preference policies of the County, and shall provide that by electing to submit a bid pursuant to a request for bids, all bidders are deemed to understand and agree to those policies.**

(e) For all contracts for architecture, professional engineering, or other professional services governed by Florida Statute § 287.055, the Consultants' Competitive Negotiation Act, the County shall include the local business status of a firm among the factors considered when selecting which firms are "most highly qualified." In determining which firm is the "most qualified" for purposes of negotiating a satisfactory contract, preference shall be given to a local business where all other relevant factors are equal.

(f) Local preference shall not apply to the following categories of contracts:

1. Goods or services provided under a cooperative purchasing agreement or similar "piggyback" contract;
2. Contracts for professional services subject to Florida Statute § 287.055, the Consultants' Competitive Negotiation Act, except as provided for in subsection (e) above;

**E.02 Section 2-26-6. Local preference, tie bids, local business defined. (Continued)**

3. Purchases or contracts which are funded, in whole or in part, by a governmental or other funding entity, where the terms and conditions of receipt of the funds prohibit the preference;

4. Purchases or contracts made pursuant to a non-competitive award process, unless otherwise provided by this section;

5. Any bid announcement which specifically provides that the general local preference policies set forth in this section are suspended due to the unique nature of the goods or services sought, the existence of an emergency as found by either the County commission or County administrator, or where such suspension is, in the opinion of the County attorney, required by law.

(g) To qualify for local preference under this section, **a local business must certify to the County that it:**

1. Has not within the five years prior to the bid announcement admitted guilt or been found guilty by any court or state or federal regulatory enforcement agency of violation of any criminal law, or a law or administrative regulation regarding fraud;

2. Is not currently subject to an unresolved citation or notice of violation of any Manatee County Code provision, except citations or notices which are the subject of a current legal appeal, as of the date of the bid announcement;

3. Is not delinquent in the payment of any fines, liens, assessments, fees or taxes to any governmental unit or taxing authority within Manatee County, except any such sums which are the subject of a current legal appeal.

Ref: Ordinance 09-21 and 09-23 **PASSED AND DULY ADOPTED** in open session, with a quorum present and voting, on the 17<sup>th</sup> day of March, 2009.

**END OF SECTION E**

**MANATEE COUNTY GOVERNMENT  
AFFIDAVIT AS TO LOCAL BUSINESS  
(Complete and Initial Items B-F)**

**A. Authorized Representative**

I, [name] \_\_\_\_\_, am the [title] \_\_\_\_\_

and the duly authorized representative of: [name of business] \_\_\_\_\_

\_\_\_\_\_, and that I possess direct personal knowledge to make informed responses to these certifications and the legal authority to make this Affidavit on behalf of myself and the business for which I am acting; and by electing to submit a bid pursuant to this Invitation for Bids, shall be deemed to understand and agree to the local business preference policies of Manatee County; and that I have the direct knowledge to state that this firm complies with all of the following conditions to be considered to be a Local Business as required by the Manatee County Code of Law, Section 2-26-6.

**B. Place of Business:** I certify that the above business is legally authorized to engage in the sale of goods and/or services and has a physical place of business in Manatee, DeSoto, Hardee, Hillsborough, Pinellas or Sarasota County with at least one (1) fulltime employee at that location. The physical address of the location which meets the above criteria is: \_\_\_\_\_ [Initial]\_\_\_\_\_

**C. Business History:** I certify that business operations began at the above physical address with at least one fulltime employee on [date] \_\_\_\_\_ [Initial]\_\_\_\_\_

**D. Criminal Violations:** I certify that within the past five years of the date of this Bid announcement, this business has not admitted guilt nor been found guilty by any court or local, state or federal regulatory enforcement agency of violation of any criminal law or administrative regulation regarding fraud. [Initial]\_\_\_\_\_

**E. Citations or Code Violations:** I certify that this business is not currently subject to any unresolved citation or notice of violation of any Manatee County Code provision, with the exception of citations or notices which are the subject of a legal current appeal within the date of this bid announcement. [Initial] \_\_\_\_\_

**F. Fees and Taxes:** I certify that within this business is not delinquent in the payment of fines, liens, assessments, fees or taxes to any governmental unit or taxing authority within Manatee County, with the exception of those which are the subject of a legal current appeal. [Initial]\_\_\_\_\_

*Each of the above certifications is required to meet the qualification of "Local Business" under Manatee County Code of Law, 2-26-6.*

Signature of Affiant \_\_\_\_\_

STATE OF FLORIDA

COUNTY OF \_\_\_\_\_

Sworn to (or affirmed) and subscribed before me this \_\_\_\_ day of \_\_\_\_\_, 2011, by (name of person making statement).

(Notary Seal) Signature of Notary: \_\_\_\_\_

Name of Notary (Typed or Printed) \_\_\_\_\_

Personally Known \_\_\_\_ OR Produced Identification \_\_\_\_ Type of Identification Produced \_\_\_\_\_

**Submit executed copy to Manatee County Purchasing, Suite 803, 1112 Manatee Avenue W., Bradenton, FL 34205.**

**BID FORM  
SECTION 00300  
(SUBMIT IN TRIPLICATE)**

**For: 2011 Lift Station Rehab Group 2**

<b>TOTAL BID PRICE "A": \$ _____</b>
Based on a Completion Time of <b>325</b> calendar days
<b>TOTAL BID PRICE "B": \$ _____</b>
Based on a Completion Time of <b>365</b> calendar days

Two schedules for Completion of the Work shall be considered. Each bid for completion by the specified stated time shall be offered as a separate "Total Bid Price". The County has the sole authority to select the bid based on the Completion Time which is the best interest of the County. Only one award shall be made.

We, the undersigned, hereby declare that we have carefully reviewed the bid documents, and with full knowledge and understanding of the aforementioned herewith submit this bid, meeting each and every specification, term, and condition contained in the Invitation for Bids.

We understand that the bid technical specifications, terms, and conditions in their entirety shall be made a part of any agreement or contract between Manatee County and the successful bidder. Failure to comply shall result in contract default, whereupon, the defaulting contractor shall be required to pay for any and all re-procurement costs, damages, and attorney fees as incurred by the County.

Communications concerning this Bid shall be addressed as follows:

Person's Name: \_\_\_\_\_

Address: \_\_\_\_\_ Phone: \_\_\_\_\_

Date: \_\_\_\_\_ FL Contractor License# \_\_\_\_\_

Bidder is a WBE/MBE Vendor? \_\_\_\_\_ Certification \_\_\_\_\_

COMPANY'S NAME: \_\_\_\_\_

AUTHORIZED SIGNATURE(S): \_\_\_\_\_

Name and Title of Above Signer(s) \_\_\_\_\_

CO. MAILING ADDRESS: \_\_\_\_\_

STATE OF INCORPORATION \_\_\_\_\_ (if applicable)

TELEPHONE: (\_\_\_\_) \_\_\_\_\_ FAX: (\_\_\_\_) \_\_\_\_\_

Email address: \_\_\_\_\_

I, \_\_\_\_\_ on \_\_\_\_\_ attest that I have visited the  
(name) (date)  
project site (s) to familiarize myself with the full scope of work required for the bid.

Acknowledge Addendum No. \_\_\_\_\_ Dated: \_\_\_\_\_ Acknowledge Addendum No. \_\_\_\_\_ Dated: \_\_\_\_\_  
 Acknowledge Addendum No. \_\_\_\_\_ Dated: \_\_\_\_\_ Acknowledge Addendum No. \_\_\_\_\_ Dated: \_\_\_\_\_  
 Acknowledge Addendum No. \_\_\_\_\_ Dated: \_\_\_\_\_ Acknowledge Addendum No. \_\_\_\_\_ Dated: \_\_\_\_\_

**SWORN STATEMENT  
THE FLORIDA TRENCH SAFETY ACT**

THIS FORM MUST BE SIGNED IN THE PRESENCE OF A NOTARY PUBLIC OR BY AN OFFICER AUTHORIZED TO ADMINISTER OATHS.

1. This Sworn Statement is submitted with IFB No. #11-1726-DS
2. This Sworn Statement is submitted by \_\_\_\_\_ whose business address is \_\_\_\_\_ and, if applicable, its Federal Employer Identification Number (FEIN) is \_\_\_\_\_. If the entity has no FEIN, include the Social Security Number of the individual signing this sworn statement \_\_\_\_\_.
3. Name of individual signing this Sworn Statement is: \_\_\_\_\_, Whose relationship to the above entity is: \_\_\_\_\_.
4. The Trench Safety Standards that will be in effect during the construction of this project shall include, but are not limited to: Laws of Florida, Chapters 90-96, TRENCH SAFETY ACT, and OSHA RULES AND REGULATIONS 29 CFR 1926.650 Subpart P, effective October 1, 1990.
5. The undersigned assures that the entity will comply with the applicable Trench Safety Standards and agrees to indemnify and hold harmless the County and Engineer, and any of their agents or employees from any claims arising from the failure to comply with said standard.
6. The undersigned has appropriated the following costs for compliance with the applicable standards:

Trench Safety Measure (Description)	Units of Measure (LF, SY)	Unit Quantity	Unit Cost	Extended Cost
a. _____	_____	_____	\$ _____	_____
b. _____	_____	_____	\$ _____	_____
c. _____	_____	_____	\$ _____	_____
d. _____	_____	_____	\$ _____	_____

7. The undersigned intends to comply with these standards by instituting the following procedures:  
\_\_\_\_\_  
\_\_\_\_\_  
\_\_\_\_\_.

THE UNDERSIGNED, in submitting this Bid, represents that they have reviewed and considered all available geotechnical information and made such other investigations and tests as they may deem necessary to adequately design the trench safety system(s) to be utilized on this project.

\_\_\_\_\_  
(AUTHORIZED SIGNATURE / TITLE)

SWORN to and subscribed before me this \_\_\_\_ day of \_\_\_\_\_, 2011.  
(impress official seal)

\_\_\_\_\_  
Notary Public, State of Florida  
My commission expires: \_\_\_\_\_

**BID FORM**  
(Submit in Triplicate)

**BID "A"**

IFB# 11-1726-DS ----- 2011 Lift Station Rehab Group 2

**PROJECT SITE:** 18-AA (RTU 484)  
**PROJECT NUMBER:** 402.0019707-5001326  
**SECTION / TOWNSHIP / RANGE:** S23 / T35S / R17E  
**PROJECT DESCRIPTION:** Rehab wetwell & valve vault piping for lift station  
**PROJECT SITE DIMENSIONS:** All work within LS site

**BID "A" BASED ON COMPLETION OF 325 Calendar Days**

ITEM NO.	DESCRIPTION	UNITS	QTY.	UNIT PRICE (\$)	EXTENDED PRICE (\$)
1	<i>Intentionally Left Blank</i>				
2	Remove Ex. Conc. Pad (4.5" thick)	SY	25	\$	\$
3	Sod, Bahia Grass	SY	6	\$	\$
4	Wetwell Cleaning	SF	546	\$	\$
5	4" DR-11 HDPE Piping	LF	43	\$	\$
6	4" HDPE Flange Adapters	EA	4	\$	\$
7	4" HDPE Fittings	LB	5	\$	\$
8	4" BPIU-14 Base Ells	EA	2	\$	\$
9	4" Base Ell Mounting Plate	EA	2	\$	\$
10	S.S. Pipe Bracing - 8' Duplex	EA	3	\$	\$
11	<i>Intentionally Left Blank</i>				
12	Raise Existing 8-ft Dia. Wet Well Rim, 8 inches	VF	0.7	\$	\$
13	2 Inch S.S. Pump Guide Rail System	LF	38	\$	\$
14	Resilient (Link) Seals w/ Carrier Pipe (4" FM) & Liner Repair	EA	4	\$	\$
15	<i>Intentionally Left Blank</i>				
16	<i>Intentionally Left Blank</i>				
17	Remove & Replace 2" PVC drain P-trap (re-grout) & Liner Repair	EA	1	\$	\$

BIDDER (FIRM NAME) \_\_\_\_\_

AUTHORIZED SIGNATURE: \_\_\_\_\_

BID "A"



**BID FORM**  
(Submit in Triplicate)

**BID "A"**

IFB# 11-1726-DS ----- 2011 Lift Station Rehab Group 2

**PROJECT SITE:** 18-AA (RTU 484)  
**PROJECT NUMBER:** 402.0019707-5001326  
**SECTION / TOWNSHIP / RANGE:** S23 / T35S / R17E  
**PROJECT DESCRIPTION:** Rehab wetwell & valve vault piping for lift station  
**PROJECT SITE DIMENSIONS:** All work within LS site

**BID "A" BASED ON COMPLETION OF 325 Calendar Days**

ITEM NO.	DESCRIPTION	UNITS	QTY.	UNIT PRICE (\$)	EXTENDED PRICE (\$)
18	4" Flanged Gate Valve	EA	3	\$	\$
19	4" Flanged Swing Check Valve	EA	2	\$	\$
20	<i>Intentionally Left Blank</i>				
21	Ductile Iron Fittings (inc. spool piece(s))	LB	275	\$	\$
22	4" D.I. Flanged Adapters	EA	2	\$	\$
23	4" Quick Coupler Adapter	EA	1	\$	\$
24	S.S. Valve Supports	EA	4	\$	\$
25	<i>Intentionally Left Blank</i>				
26	<i>Intentionally Left Blank</i>				
27	<i>Intentionally Left Blank</i>				
28	8" Influent Line Plug	EA	1	\$	\$
29	By-Pass Pumping <500 gpm	DAY	10	\$	\$
30	<i>Intentionally Left Blank</i>				
31	Backflow Preventer	EA	1	\$	\$
32	<i>Intentionally Left Blank</i>				
33	Raise Existing Valve Vault Rim, 8 inches	VF	0.7	\$	\$
34	Raise Existing Meter Vault Rim, 8 inches	VF	0.7	\$	\$
35	Washed Shell w/ Weed Barrier	SY	25	\$	\$
	<b>Subtotal Construction Cost</b>				\$

BIDDER (FIRM NAME) \_\_\_\_\_

AUTHORIZED SIGNATURE: \_\_\_\_\_

BID "A"

BID FORM  
(Submit in Triplicate)

BID "A"

IFB# 11-1726-DS ----- 2011 Lift Station Rehab Group 2

PROJECT SITE:	18-AA (RTU 484)
PROJECT NUMBER:	402.0019707-5001326
SECTION / TOWNSHIP / RANGE:	S23 / T35S / R17E
PROJECT DESCRIPTION:	Rehab wetwell & valve vault piping for lift station
PROJECT SITE DIMENSIONS:	All work within LS site

**BID "A" BASED ON COMPLETION OF 325 Calendar Days**

ITEM NO.	DESCRIPTION	UNITS	QTY.	UNIT PRICE (\$)	EXTENDED PRICE (\$)
36	Mobilization				\$
37	Miscellaneous Work , Clean Up & Record Drawings				\$
38	<b>Discretionary Work</b>				<b>\$5,500.00</b>
	<b>Total Construction Cost</b>				\$
	<b>TOTAL BID PRICE "A" Based on Completion Time of 325 Calendar Days</b>				\$

BIDDER (FIRM NAME) \_\_\_\_\_

AUTHORIZED SIGNATURE: \_\_\_\_\_

BID "A"

**BID FORM**  
(Submit in Triplicate)

**BID "B"**

IFB# 11-1726-DS ----- 2011 Lift Station Rehab Group 2

PROJECT SITE: 18-AA (RTU 484)  
 PROJECT NUMBER: 402.0019707-5001326  
 SECTION / TWSHP / RANGE: S23 / T35S / R17E  
 PROJECT DESCRIPTION: Rehab wetwell & valve vault piping for lift station  
 PROJECT SITE DIMENSIONS: All work within LS site

**BID "B" BASED ON COMPLETION OF 365 Calendar Days**

ITEM NO.	DESCRIPTION	UNITS	QTY.	UNIT PRICE (\$)	EXTENDED PRICE (\$)
1	<i>Intentionally Left Blank</i>				
2	Remove Ex. Conc. Pad (4.5" thick)	SY	25	\$	\$
3	Sod, Bahia Grass	SY	6	\$	\$
4	Wetwell Cleaning	SF	546	\$	\$
5	4" DR-11 HDPE Piping	LF	43	\$	\$
6	4" HDPE Flange Adapters	EA	4	\$	\$
7	4" HDPE Fittings	LB	5	\$	\$
8	4" BPIU-14 Base Ells	EA	2	\$	\$
9	4" Base Ell Mounting Plate	EA	2	\$	\$
10	S.S. Pipe Bracing - 8' Duplex	EA	3	\$	\$
11	<i>Intentionally Left Blank</i>				
12	Raise Existing 8-ft Dia. Wet Well Rim, 8 inches	VF	0.7	\$	\$
13	2 Inch S.S. Pump Guide Rail System	LF	38	\$	\$
14	Resilient (Link) Seals w/ Carrier Pipe (4" FM) & Liner Repair	EA	4	\$	\$
15	<i>Intentionally Left Blank</i>				
16	<i>Intentionally Left Blank</i>				
17	Remove & Replace 2" PVC drain P-trap (re-grout) & Liner Repair	EA	1	\$	\$

BIDDER (FIRM NAME) \_\_\_\_\_

AUTHORIZED SIGNATURE: \_\_\_\_\_

BID "B"

**BID FORM**  
(Submit in Triplicate)

**BID "B"**

**IFB# 11-1726-DS ----- 2011 Lift Station Rehab Group 2**

**PROJECT SITE:** 18-AA (RTU 484)  
**PROJECT NUMBER:** 402.0019707-5001326  
**SECTION / TWSHP / RANGE:** S23 / T35S / R17E  
**PROJECT DESCRIPTION:** Rehab wetwell & valve vault piping for lift station  
**PROJECT SITE DIMENSIONS:** All work within LS site

**BID "B" BASED ON COMPLETION OF 365 Calendar Days**

ITEM NO.	DESCRIPTION	UNITS	QTY.	UNIT PRICE (\$)	EXTENDED PRICE (\$)
18	4" Flanged Gate Valve	EA	3	\$	\$
19	4" Flanged Swing Check Valve	EA	2	\$	\$
20	<i>Intentionally Left Blank</i>				
21	Ductile Iron Fittings (inc. spool piece(s))	LB	275	\$	\$
22	4" D.I. Flanged Adapters	EA	2	\$	\$
23	4" Quick Coupler Adapter	EA	1	\$	\$
24	S.S. Valve Supports	EA	4	\$	\$
25	<i>Intentionally Left Blank</i>				
26	<i>Intentionally Left Blank</i>				
27	<i>Intentionally Left Blank</i>				
28	8" Influent Line Plug	EA	1	\$	\$
29	By-Pass Pumping <500 gpm	DAY	10	\$	\$
30	<i>Intentionally Left Blank</i>				
31	Backflow Preventer	EA	1	\$	\$
32	<i>Intentionally Left Blank</i>				
33	Raise Existing Valve Vault Rim, 8 inches	VF	0.7	\$	\$
34	Raise Existing Meter Vault Rim, 8 inches	VF	0.7	\$	\$
35	Washed Shell w/ Weed Barrier	SY	25	\$	\$

BIDDER (FIRM NAME) \_\_\_\_\_

AUTHORIZED SIGNATURE: \_\_\_\_\_

BID "B"

**BID FORM**  
(Submit in Triplicate)

**BID "B"**

IFB# 11-1726-DS ----- 2011 Lift Station Rehab Group 2

**PROJECT SITE:** 18-AA (RTU 484)  
**PROJECT NUMBER:** 402.0019707-5001326  
**SECTION / TOWNSHIP / RANGE:** S23 / T35S / R17E  
**PROJECT DESCRIPTION:** Rehab wetwell & valve vault piping for lift station  
**PROJECT SITE DIMENSIONS:** All work within LS site

**BID "B" BASED ON COMPLETION OF 365 Calendar Days**

ITEM NO.	DESCRIPTION	UNITS	QTY.	UNIT PRICE (\$)	EXTENDED PRICE (\$)
	<b>Subtotal Construction Cost</b>				\$
36	Mobilization				\$
37	Miscellaneous Work , Clean Up & Record Drawings				\$
38	<b>Discretionary Work</b>				<b>\$5,500.00</b>
	<b>Total Construction Cost</b>				\$
	<b>TOTAL BID PRICE "B" Based on Completion Time of 365 Calendar Days</b>				\$

BIDDER (FIRM NAME) \_\_\_\_\_

AUTHORIZED SIGNATURE: \_\_\_\_\_

BID "B"

**BID FORM**  
(Submit in Triplicate)

**BID "A"**

IFB# 11-1726-DS ----- 2011 Lift Station Rehab Group 2

PROJECT NAME: 30-EE (RTU 333)  
 PROJECT NUMBER: 402.0019707-5001329  
 SECTION / TWSHP / RANGE: S01 / T35S / R17E  
 PROJECT DESCRIPTION: Rehab wetwell & valve vault piping for lift station  
 PROJECT SITE DIMENSIONS: All work within lift station site

**BID "A" BASED ON COMPLETION OF 325 Calendar Days**

ITEM NO.	DESCRIPTION	UNITS	QTY.	UNIT PRICE (\$)	EXTENDED PRICE (\$)
1	<i>Intentionally Left Blank</i>				
2	Remove Ex. Conc. Pad (4.5" thick)	SY	6	\$	\$
3	Sod, Bahia Grass	SY	6	\$	\$
4	Wet Well Cleaning	SF	634	\$	\$
5	4" DR-11 HDPE Piping	LF	50	\$	\$
6	4" HDPE Flange Adapters	EA	4	\$	\$
7	4" HDPE Fittings	LB	5	\$	\$
8	4" BPIU-14 Base Ells	EA	2	\$	\$
9	4" Base Ell Mounting Plate	EA	2	\$	\$
10	S.S. Pipe Bracing - 8' Duplex	EA	3	\$	\$
11	<i>Intentionally Left Blank</i>				
12	<i>Intentionally Left Blank</i>				
13	2 Inch S.S. Pump Guide Rail System	LF	43	\$	\$
14	Resilient (Link) Seals w/ Carrier Pipe (4' FM) & Liner Repair	EA	4	\$	\$
15	<i>Intentionally Left Blank</i>				
16	Repair Ex. T-Lock Liner, (excl. Bid Items 14 & 17)	SF	24	\$	\$
17	Remove & Replace 2" PVC drain P-trap (re-grout) & Liner Repair	EA	1	\$	\$

BIDDER (FIRM NAME) \_\_\_\_\_

AUTHORIZED SIGNATURE: \_\_\_\_\_

BID "A"

**BID FORM**  
(Submit in Triplicate)

**BID "A"**

**IFB# 11-1726-DS ----- 2011 Lift Station Rehab Group 2**

<b>PROJECT NAME:</b>	<b>30-EE (RTU 333)</b>
<b>PROJECT NUMBER:</b>	402.0019707-5001329
<b>SECTION / TWSHP / RANGE:</b>	S01 / T35S / R17E
<b>PROJECT DESCRIPTION:</b>	Rehab wetwell & valve vault piping for lift station
<b>PROJECT SITE DIMENSIONS:</b>	All work within lift station site

**BID "A" BASED ON COMPLETION OF 325 Calendar Days**

18	4" Flanged Gate Valve	EA	3	\$	\$
19	4" Flanged Swing Check Valve	EA	2	\$	\$
20	<i>Intentionally Left Blank</i>				
21	Ductile Iron Fittings (inc. spool piece(s))	LB	275	\$	\$
22	4" D.I. Flanged Adapters	EA	2	\$	\$
23	4" Quick Coupler Adapter	EA	1	\$	\$
24	S.S. Valve Supports	EA	4	\$	\$
25	<i>Intentionally Left Blank</i>				
26	<i>Intentionally Left Blank</i>				
27	<i>Intentionally Left Blank</i>				
28	8" Influent Line Plug	EA	1	\$	\$
29	By-Pass Pumping <500 gpm	DAY	10	\$	\$
30	<i>Intentionally Left Blank</i>				
31	Backflow Preventer	EA	1	\$	\$
32	<i>Intentionally Left Blank</i>				
33	<i>Intentionally Left Blank</i>				
34	<i>Intentionally Left Blank</i>				
35	Washed Shell w/ Weed Barrier	SY	6	\$	\$

BIDDER (FIRM NAME) \_\_\_\_\_

AUTHORIZED SIGNATURE: \_\_\_\_\_

BID "A"

**BID FORM**  
(Submit in Triplicate)

**BID "A"**

IFB# 11-1726-DS ----- 2011 Lift Station Rehab Group 2

**PROJECT NAME:** 30-EE (RTU 333)  
**PROJECT NUMBER:** 402.0019707-5001329  
**SECTION / TOWNSHIP / RANGE:** S01 / T35S / R17E  
**PROJECT DESCRIPTION:** Rehab wetwell & valve vault piping for lift station  
**PROJECT SITE DIMENSIONS:** All work within lift station site

**BID "A" BASED ON COMPLETION OF 325 Calendar Days**

	<b>Subtotal Construction Cost</b>		\$
36	Mobilization		\$
37	Miscellaneous Work & Clean Up, Record Drawings		\$
38	<b>DISCRETIONARY WORK</b>		<b>\$4,500.00</b>
	<b>Total Construction Cost</b>		\$
	<b>TOTAL BID PRICE "A" Based on Completion Time of 325 Calendar Days</b>		\$

BIDDER (FIRM NAME) \_\_\_\_\_

AUTHORIZED SIGNATURE: \_\_\_\_\_

BID "A"



**BID FORM**  
(Submit in Triplicate)

**BID "B"**

IFB# 11-1726-DS ----- 2011 Lift Station Rehab Group 2

**PROJECT NAME:** 30-EE (RTU 333)  
**PROJECT NUMBER:** 402.0019707-5001329  
**SECTION / TWSHP / RANGE:** S01 / T35S / R17E  
**PROJECT DESCRIPTION:** Rehab wetwell & valve vault piping for lift station  
**PROJECT SITE DIMENSIONS:** All work within lift station site

**BID "B" BASED ON COMPLETION OF 365 Calendar Days**

ITEM NO.	DESCRIPTION	UNITS	QTY.	UNIT PRICE (\$)	EXTENDED PRICE (\$)
1	<i>Intentionally Left Blank</i>				
2	Remove Ex. Conc. Pad (4.5" thick)	SY	6	\$	\$
3	Sod, Bahia Grass	SY	6	\$	\$
4	Wet Well Cleaning	SF	634	\$	\$
5	4" DR-11 HDPE Piping	LF	50	\$	\$
6	4" HDPE Flange Adapters	EA	4	\$	\$
7	4" HDPE Fittings	LB	5	\$	\$
8	4" BPIU-14 Base Ells	EA	2	\$	\$
9	4" Base Ell Mounting Plate	EA	2	\$	\$
10	S.S. Pipe Bracing - 8' Duplex	EA	3	\$	\$
11	<i>Intentionally Left Blank</i>				
12	<i>Intentionally Left Blank</i>				
13	2 Inch S.S. Pump Guide Rail System	LF	43	\$	\$
14	Resilient (Link) Seals w/ Carrier Pipe (4' FM) & Liner Repair	EA	4	\$	\$
15	<i>Intentionally Left Blank</i>				
16	Repair Ex. T-Lock Liner, (excl. Bid Items 14 & 17)	SF	24	\$	\$
17	Remove & Replace 2" PVC drain P-trap (re-grout) & Liner Repair	EA	1	\$	\$

BIDDER (FIRM NAME) \_\_\_\_\_

AUTHORIZED SIGNATURE: \_\_\_\_\_

BID "B"

**BID FORM**  
(Submit in Triplicate)

**BID "B"**

**IFB# 11-1726-DS ----- 2011 Lift Station Rehab Group 2**

**PROJECT NAME:** 30-EE (RTU 333)  
**PROJECT NUMBER:** 402.0019707-5001329  
**SECTION / TWNSHP / RANGE:** S01 /T35S / R17E  
**PROJECT DESCRIPTION:** Rehab wetwell & valve vault piping for lift station  
**PROJECT SITE DIMENSIONS:** All work within lift station site

**BID "B" BASED ON COMPLETION OF 365 Calendar Days**

18	4" Flanged Gate Valve	EA	3	\$	\$
19	4" Flanged Swing Check Valve	EA	2	\$	\$
20	<i>Intentionally Left Blank</i>				
21	Ductile Iron Fittings (inc. spool piece(s))	LB	275	\$	\$
22	4" D.I. Flanged Adapters	EA	2	\$	\$
23	4" Quick Coupler Adapter	EA	1	\$	\$
24	S.S. Valve Supports	EA	4	\$	\$
25	<i>Intentionally Left Blank</i>				
26	<i>Intentionally Left Blank</i>				
27	<i>Intentionally Left Blank</i>				
28	8" Influent Line Plug	EA	1	\$	\$
29	By-Pass Pumping <500 gpm	DAY	10	\$	\$
30	<i>Intentionally Left Blank</i>				
31	Backflow Preventer	EA	1	\$	\$
32	<i>Intentionally Left Blank</i>				
33	<i>Intentionally Left Blank</i>				
34	<i>Intentionally Left Blank</i>				
35	Washed Shell w/ Weed Barrier	SY	6	\$	\$

BIDDER (FIRM NAME) \_\_\_\_\_

AUTHORIZED SIGNATURE: \_\_\_\_\_

**BID "B"**

**BID FORM**  
(Submit in Triplicate)

**BID "B"**

IFB# 11-1726-DS ----- 2011 Lift Station Rehab Group 2

**PROJECT NAME:** 30-EE (RTU 333)  
**PROJECT NUMBER:** 402.0019707-5001329  
**SECTION / TOWNSHIP / RANGE:** S01 / T35S / R17E  
**PROJECT DESCRIPTION:** Rehab wetwell & valve vault piping for lift station  
**PROJECT SITE DIMENSIONS:** All work within lift station site

**BID "B" BASED ON COMPLETION OF 365 Calendar Days**

	<b>Subtotal Construction Cost</b>		\$
36	Mobilization		\$
37	Miscellaneous Work & Clean Up, Record Drawings		\$
38	<b>DISCRETIONARY WORK</b>		<b>\$4,500.00</b>
	<b>Total Construction Cost</b>		\$
	<b>TOTAL BID PRICE "B" Based on Completion Time of 365 Calendar Days</b>		\$

BIDDER (FIRM NAME) \_\_\_\_\_

AUTHORIZED SIGNATURE: \_\_\_\_\_

**BID "B"**

**BID FORM**  
(Submit in Triplicate)

**BID "A"**

**IFB# 11-1726-DS ----- 2011 Lift Station Rehab Group 2**

**PROJECT NAME:** LWR Town Center 2 (RTU 380)  
**PROJECT NUMBER:** 402.0019707-5001327  
**SECTION / TOWNSHIP / RANGE:** S36/T35S/R18E  
**PROJECT DESCRIPTION:** Rehab wetwell & valve vault piping for lift station  
**PROJECT SITE DIMENSIONS:** All work within lift station site

**BID "A" BASED ON COMPLETION OF 325 Calendar Days**

ITEM NO.	DESCRIPTION	UNITS	QTY.	UNIT PRICE (\$)	EXTENDED PRICE (\$)
1	Concrete Sidewalk Remove & Replace (4" min. thick)	10	SY	\$	\$
2	<i>Intentionally Left Blank</i>				
3	<i>Intentionally Left Blank</i>				
4	Wetwell Cleaning	482	SF	\$	\$
5	6" DR-11 HDPE Piping	53	LF	\$	\$
6	6" HDPE Flange Adapters	4	EA	\$	\$
7	6" HDPE Fittings	14	LB	\$	\$
8	6" BPIU-16 Base Ells	2	EA	\$	\$
9	6" Base Ell Mounting Plate	2	EA	\$	\$
10	S.S. Pipe Bracing - 6' Duplex	3	EA	\$	\$
11	<i>Intentionally Left Blank</i>				
12	<i>Intentionally Left Blank</i>				
13	2 Inch S.S. Pump Guide Rail System	46	LF	\$	\$
14	Resilient (Link) Seals w/ Carrier Pipe (6" FM) & Liner Repair	5	EA	\$	\$
15	<i>Intentionally Left Blank</i>				
16	<i>Intentionally Left Blank</i>				
17	<i>Intentionally Left Blank</i>				

BIDDER (FIRM NAME) \_\_\_\_\_

AUTHORIZED SIGNATURE: \_\_\_\_\_

Bid "A"

**BID FORM**  
(Submit in Triplicate)

**BID "A"**

**IFB# 11-1726-DS ----- 2011 Lift Station Rehab Group 2**

**PROJECT NAME:** LWR Town Center 2 (RTU 380)  
**PROJECT NUMBER:** 402.0019707-5001327  
**SECTION / TOWNSHIP / RANGE:** S36/T35S/R18E  
**PROJECT DESCRIPTION:** Rehab wetwell & valve vault piping for lift station  
**PROJECT SITE DIMENSIONS:** All work within lift station site

**BID "A" BASED ON COMPLETION OF 325 Calendar Days**

ITEM NO.	DESCRIPTION	UNITS	QTY.	UNIT PRICE (\$)	EXTENDED PRICE (\$)
18	6" Flanged Gate Valve	3	EA	\$	\$
19	6" Flanged Swing Check Valve	2	EA	\$	\$
20	<i>Intentionally Left Blank</i>				
21	Ductile Iron Fittings	315	LB	\$	\$
22	<i>Intentionally Left Blank</i>				
23	6" Quick Coupler Adapter	1	EA	\$	\$
24	S.S. Valve Supports	3	EA	\$	\$
25	<i>Intentionally Left Blank</i>				
26	6" Plug Valve	1	EA	\$	\$
27	6" PVC Pipe (C900) (cross/tee to plug valve)	6	LF	\$	\$
28	8" Influent Line Plug	1	EA	\$	\$
29	By-Pass Pumping <500 gpm	10	DAY	\$	\$
30	<i>Intentionally Left Blank</i>				
31	Backflow Preventer	1	EA	\$	\$
32	<i>Intentionally Left Blank</i>				
33	<i>Intentionally Left Blank</i>				
34	<i>Intentionally Left Blank</i>				
35	<i>Intentionally Left Blank</i>				
	<b>Subtotal Construction Cost</b>				

BIDDER (FIRM NAME) \_\_\_\_\_

AUTHORIZED SIGNATURE: \_\_\_\_\_

Bid "A"

**BID FORM**

(Submit in Triplicate)

**BID "A"**

**IFB# 11-1726-DS ----- 2011 Lift Station Rehab Group 2**

**PROJECT NAME:** LWR Town Center 2 (RTU 380)  
**PROJECT NUMBER:** 402.0019707-5001327  
**SECTION / TOWNSHIP / RANGE:** S36/T35S/R18E  
**PROJECT DESCRIPTION:** Rehab wetwell & valve vault piping for lift station  
**PROJECT SITE DIMENSIONS:** All work within lift station site

**BID "A" BASED ON COMPLETION OF 325 Calendar Days**

ITEM NO.	DESCRIPTION	UNITS	QTY.	UNIT PRICE (\$)	EXTENDED PRICE (\$)
36	Mobilization			\$	\$
37	Miscellaneous Work , Clean Up & Record Drawings			\$	\$
38	<b>DISCRETIONARY WORK</b>			\$	<b>\$4,500.00</b>
	<b>Total Construction Cost</b>				\$
	<b>TOTAL BID PRICE "A" Based on Completion Time of 325 Calendar Days</b>				\$

BIDDER (FIRM NAME) \_\_\_\_\_

AUTHORIZED SIGNATURE: \_\_\_\_\_

Bid "A"

**BID FORM**

(Submit in Triplicate)

**BID "B"**

**IFB# 11-1726-DS ----- 2011 Lift Station Rehab Group 2**

**PROJECT NAME:** LWR Town Center 2 (RTU 380)  
**PROJECT NUMBER:** 402.0019707-5001327  
**SECTION / TWSHP / RANGE:** S36/T35S/R18E  
**PROJECT DESCRIPTION:** Rehab wetwell & valve vault piping for lift station  
**PROJECT SITE DIMENSIONS:** All work within lift station site

**BID "B" BASED ON COMPLETION OF 365 Calendar Days**

ITEM NO.	DESCRIPTION	UNITS	QTY.	UNIT PRICE (\$)	EXTENDED PRICE (\$)
1	Concrete Sidewalk Remove & Replace (4" min. thick)	10	SY	\$	\$
2	<i>Intentionally Left Blank</i>				
3	<i>Intentionally Left Blank</i>				
4	Wetwell Cleaning	482	SF	\$	\$
5	6" DR-11 HDPE Piping	53	LF	\$	\$
6	6" HDPE Flange Adapters	4	EA	\$	\$
7	6" HDPE Fittings	14	LB	\$	\$
8	6" BPIU-16 Base Ells	2	EA	\$	\$
9	6" Base Ell Mounting Plate	2	EA	\$	\$
10	S.S. Pipe Bracing - 6' Duplex	3	EA	\$	\$
11	<i>Intentionally Left Blank</i>				
12	<i>Intentionally Left Blank</i>				
13	2 Inch S.S. Pump Guide Rail System	46	LF	\$	\$
14	Resilient (Link) Seals w/ Carrier Pipe (6" FM) & Liner Repair	5	EA	\$	\$
15	<i>Intentionally Left Blank</i>				
16	<i>Intentionally Left Blank</i>				
17	<i>Intentionally Left Blank</i>				

BIDDER (FIRM NAME) \_\_\_\_\_

AUTHORIZED SIGNATURE: \_\_\_\_\_

Bid "B"

**BID FORM**  
(Submit in Triplicate)

**BID "B"**

**IFB# 11-1726-DS ----- 2011 Lift Station Rehab Group 2**

**PROJECT NAME:** LWR Town Center 2 (RTU 380)  
**PROJECT NUMBER:** 402.0019707-5001327  
**SECTION / TOWNSHIP / RANGE:** S36/T35S/R18E  
**PROJECT DESCRIPTION:** Rehab wetwell & valve vault piping for lift station  
**PROJECT SITE DIMENSIONS:** All work within lift station site

**BID "B" BASED ON COMPLETION OF 365 Calendar Days**

ITEM NO.	DESCRIPTION	UNITS	QTY.	UNIT PRICE (\$)	EXTENDED PRICE (\$)
18	6" Flanged Gate Valve	3	EA	\$	\$
19	6" Flanged Swing Check Valve	2	EA	\$	\$
20	<i>Intentionally Left Blank</i>				
21	Ductile Iron Fittings	315	LB	\$	\$
22	<i>Intentionally Left Blank</i>				
23	6" Quick Coupler Adapter	1	EA	\$	\$
24	S.S. Valve Supports	3	EA	\$	\$
25	<i>Intentionally Left Blank</i>				
26	6" Plug Valve	1	EA	\$	\$
27	6" PVC Pipe (C900) (cross/tee to plug valve)	6	LF	\$	\$
28	8" Influent Line Plug	1	EA	\$	\$
29	By-Pass Pumping <500 gpm	10	DAY	\$	\$
30	<i>Intentionally Left Blank</i>				
31	Backflow Preventer	1	EA	\$	\$
32	<i>Intentionally Left Blank</i>				
33	<i>Intentionally Left Blank</i>				
34	<i>Intentionally Left Blank</i>				
35	<i>Intentionally Left Blank</i>				
	<b>Subtotal Construction Cost</b>				

BIDDER (FIRM NAME) \_\_\_\_\_

AUTHORIZED SIGNATURE: \_\_\_\_\_

Bid "B"



**BID FORM**  
(Submit in Triplicate)

**BID "B"**

**IFB# 11-1726-DS ----- 2011 Lift Station Rehab Group 2**

**PROJECT NAME:** LWR Town Center 2 (RTU 380)  
**PROJECT NUMBER:** 402.0019707-5001327  
**SECTION / TOWNSHIP / RANGE:** S36/T35S/R18E  
**PROJECT DESCRIPTION:** Rehab wetwell & valve vault piping for lift station  
**PROJECT SITE DIMENSIONS:** All work within lift station site

**BID "B" BASED ON COMPLETION OF 365 Calendar Days**

ITEM NO.	DESCRIPTION	UNITS	QTY.	UNIT PRICE (\$)	EXTENDED PRICE (\$)
36	Mobilization			\$	\$
37	Miscellaneous Work , Clean Up & Record Drawings			\$	\$
38	DISCRETIONARY WORK			\$	\$4,500.00
	<b>Total Construction Cost</b>				\$
	<b>TOTAL BID PRICE "B" Based on Completion Time of 365 Calendar Days</b>				\$

BIDDER (FIRM NAME) \_\_\_\_\_

AUTHORIZED SIGNATURE: \_\_\_\_\_

Bid "B"

**BID FORM**  
(Submit in Triplicate)

**BID "A"**

**IFB# 11-1726-DS ----- 2011 Lift Station Rehab Group 2**

**PROJECT NAME:** LWR Town Center 3 RTU 382  
**PROJECT NUMBER:** 402.0019707-5001328  
**SECTION / TOWNSHIP / RANGE:** S31/T35S/R19E  
**PROJECT DESCRIPTION:** Rehab wetwell & valve vault piping for lift station  
**PROJECT SITE DIMENSIONS:** All work within lift station site

**BID "A" BASED ON COMPLETION OF 325 Calendar Days**

ITEM NO.	DESCRIPTION	UNITS	QTY.	UNIT PRICE (\$)	EXTENDED PRICE (\$)
	<i>Intentionally Left Blank</i>				
	<i>Intentionally Left Blank</i>				
	<i>Intentionally Left Blank</i>				
1	Wetwell Cleaning	468	SF	\$	\$
2	4" DR-11 HDPE Piping	51	LF	\$	\$
3	4" HDPE Flange Adapters	4	EA	\$	\$
4	4" HDPE Fittings	5	LB	\$	\$
5	4" BPIU-14 Base Ells	2	EA	\$	\$
6	4" Base Ell Mounting Plate	2	EA	\$	\$
7	S.S. Pipe Bracing - 6' Duplex	3	EA	\$	\$
	<i>Intentionally Left Blank</i>				
	<i>Intentionally Left Blank</i>				
8	2 Inch S.S. Pump Guide Rail System	44	LF	\$	\$
9	Resilient (Link) Seals w/ Carrier Pipe (4" FM) & Liner Repair	4	EA	\$	\$
	<i>Intentionally Left Blank</i>				
	<i>Intentionally Left Blank</i>				
	<i>Intentionally Left Blank</i>				

BIDDER (FIRM NAME) \_\_\_\_\_

AUTHORIZED SIGNATURE: \_\_\_\_\_

Bid "A"

**BID FORM**  
(Submit in Triplicate)

**BID "A"**

**IFB# 11-1726-DS ----- 2011 Lift Station Rehab Group 2**

**PROJECT NAME:** LWR Town Center 3 RTU 382  
**PROJECT NUMBER:** 402.0019707-5001328  
**SECTION / TOWNSHIP / RANGE:** S31/T35S/R19E  
**PROJECT DESCRIPTION:** Rehab wetwell & valve vault piping for lift station  
**PROJECT SITE DIMENSIONS:** All work within lift station site

**BID "A" BASED ON COMPLETION OF 325 Calendar Days**

ITEM NO.	DESCRIPTION	UNITS	QTY.	UNIT PRICE (\$)	EXTENDED PRICE (\$)
10	4" Flanged Gate Valve	3	EA	\$	\$
11	4" Flanged Swing Check Valve	2	EA	\$	\$
	<i>Intentionally Left Blank</i>				
12	Ductile Iron Fittings	45	LB	\$	\$
	<i>Intentionally Left Blank</i>				
13	4" Quick Coupler Adapter	1	EA	\$	\$
14	S.S. Valve Supports	3	EA	\$	\$
	<i>Intentionally Left Blank</i>				
	<i>Intentionally Left Blank</i>				
	<i>Intentionally Left Blank</i>				
15	8" Influent Line Plug	1	EA	\$	\$
16	By-Pass Pumping <500 gpm	10	DAY	\$	\$
	<i>Intentionally Left Blank</i>				
	<i>Intentionally Left Blank</i>				
	<i>Intentionally Left Blank</i>				
	<i>Intentionally Left Blank</i>				
	<i>Intentionally Left Blank</i>				
	<i>Intentionally Left Blank</i>				
	<i>Intentionally Left Blank</i>				
	<b>Subtotal Construction Cost</b>			\$	\$

BIDDER (FIRM NAME) \_\_\_\_\_

AUTHORIZED SIGNATURE: \_\_\_\_\_

Bid "A"

**BID FORM**  
(Submit in Triplicate)

**BID "A"**

**IFB# 11-1726-DS ----- 2011 Lift Station Rehab Group 2**

**PROJECT NAME:** LWR Town Center 3 RTU 382  
**PROJECT NUMBER:** 402.0019707-5001328  
**SECTION / TOWNSHIP / RANGE:** S31/T35S/R19E  
**PROJECT DESCRIPTION:** Rehab wetwell & valve vault piping for lift station  
**PROJECT SITE DIMENSIONS:** All work within lift station site

**BID "A" BASED ON COMPLETION OF 325 Calendar Days**

ITEM NO.	DESCRIPTION	UNITS	QTY.	UNIT PRICE (\$)	EXTENDED PRICE (\$)
17	Mobilization			\$	\$
18	Miscellaneous Work , Clean Up & Record Drawings			\$	\$
19	<b>DISCRETIONARY WORK</b>			\$	<b>\$4,000.00</b>
	<b>Total Construction Cost</b>				\$
	<b>TOTAL BID PRICE "A" Based on Completion Time of 325 Calendar Days</b>				\$

BIDDER (FIRM NAME) \_\_\_\_\_

AUTHORIZED SIGNATURE: \_\_\_\_\_

Bid "A"

**BID FORM**  
(Submit in Triplicate)

**BID "B"**

**IFB# 11-1726-DS ----- 2011 Lift Station Rehab Group 2**

**PROJECT NAME:** LWR Town Center 3 RTU 382  
**PROJECT NUMBER:** 402.0019707-5001328  
**SECTION / TOWNSHIP / RANGE:** S31/T35S/R19E  
**PROJECT DESCRIPTION:** Rehab wetwell & valve vault piping for lift station  
**PROJECT SITE DIMENSIONS:** All work within lift station site

**BID "B" BASED ON COMPLETION OF 365 Calendar Days**

ITEM NO.	DESCRIPTION	UNITS	QTY.	UNIT PRICE (\$)	EXTENDED PRICE (\$)
	<i>Intentionally Left Blank</i>				
	<i>Intentionally Left Blank</i>				
	<i>Intentionally Left Blank</i>				
1	Wetwell Cleaning	468	SF	\$	\$
2	4" DR-11 HDPE Piping	51	LF	\$	\$
3	4" HDPE Flange Adapters	4	EA	\$	\$
4	4" HDPE Fittings	5	LB	\$	\$
5	4" BPIU-14 Base Ells	2	EA	\$	\$
6	4" Base Ell Mounting Plate	2	EA	\$	\$
7	S.S. Pipe Bracing - 6' Duplex	3	EA	\$	\$
	<i>Intentionally Left Blank</i>				
	<i>Intentionally Left Blank</i>				
8	2 Inch S.S. Pump Guide Rail System	44	LF	\$	\$
9	Resilient (Link) Seals w/ Carrier Pipe (4" FM) & Liner Repair	4	EA	\$	\$
	<i>Intentionally Left Blank</i>				
	<i>Intentionally Left Blank</i>				
	<i>Intentionally Left Blank</i>				

BIDDER (FIRM NAME) \_\_\_\_\_

AUTHORIZED SIGNATURE: \_\_\_\_\_

Bid "B"

**BID FORM**  
(Submit in Triplicate)

**BID "B"**

**IFB# 11-1726-DS ----- 2011 Lift Station Rehab Group 2**

**PROJECT NAME:** LWR Town Center 3 RTU 382  
**PROJECT NUMBER:** 402.0019707-5001328  
**SECTION / TOWNSHIP / RANGE:** S31/T35S/R19E  
**PROJECT DESCRIPTION:** Rehab wetwell & valve vault piping for lift station  
**PROJECT SITE DIMENSIONS:** All work within lift station site

**BID "B" BASED ON COMPLETION OF 365 Calendar Days**

ITEM NO.	DESCRIPTION	UNITS	QTY.	UNIT PRICE (\$)	EXTENDED PRICE (\$)
10	4" Flanged Gate Valve	3	EA	\$	\$
11	4" Flanged Swing Check Valve	2	EA	\$	\$
	<i>Intentionally Left Blank</i>				
12	Ductile Iron Fittings	45	LB	\$	\$
	<i>Intentionally Left Blank</i>				
13	4" Quick Coupler Adapter	1	EA	\$	\$
14	S.S. Valve Supports	3	EA	\$	\$
	<i>Intentionally Left Blank</i>				
	<i>Intentionally Left Blank</i>				
	<i>Intentionally Left Blank</i>				
15	8" Influent Line Plug	1	EA	\$	\$
16	By-Pass Pumping <500 gpm	10	DAY	\$	\$
	<i>Intentionally Left Blank</i>				
	<i>Intentionally Left Blank</i>				
	<i>Intentionally Left Blank</i>				
	<i>Intentionally Left Blank</i>				
	<i>Intentionally Left Blank</i>				
	<i>Intentionally Left Blank</i>				
	<i>Intentionally Left Blank</i>				
	<b>Subtotal Construction Cost</b>			\$	\$

BIDDER (FIRM NAME) \_\_\_\_\_

AUTHORIZED SIGNATURE: \_\_\_\_\_

Bid "B"

**BID FORM**  
(Submit in Triplicate)

**BID "B"**

**IFB# 11-1726-DS ----- 2011 Lift Station Rehab Group 2**

**PROJECT NAME:** LWR Town Center 3 RTU 382  
**PROJECT NUMBER:** 402.0019707-5001328  
**SECTION / TOWNSHIP / RANGE:** S31/T35S/R19E  
**PROJECT DESCRIPTION:** Rehab wetwell & valve vault piping for lift station  
**PROJECT SITE DIMENSIONS:** All work within lift station site

**BID "B" BASED ON COMPLETION OF 365 Calendar Days**

ITEM NO.	DESCRIPTION	UNITS	QTY.	UNIT PRICE (\$)	EXTENDED PRICE (\$)
17	Mobilization			\$	\$
18	Miscellaneous Work , Clean Up & Record Drawings			\$	\$
19	<b>DISCRETIONARY WORK</b>			\$	<b>\$4,000.00</b>
	<b>Total Construction Cost</b>				\$
	<b>TOTAL BID PRICE "B" Based on Completion Time of 365 Calendar Days</b>				\$

BIDDER (FIRM NAME) \_\_\_\_\_

AUTHORIZED SIGNATURE: \_\_\_\_\_

Bid "B"

**BID FORM**

(Submit in Triplicate)

**BID "A"****IFB# 11-1726-DS ----- 2011 Lift Station Rehab Group 2**

**PROJECT NAME:** Palm Aire 10 (RTU 450)  
**PROJECT NUMBER:** 402.0019707-5001325  
**SECTION / TOWNSHIP / RANGE:** S22/T35S/R18E  
**PROJECT DESCRIPTION:** Rehab wetwell & valve vault piping for lift station  
**PROJECT SITE DIMENSIONS:** All work within lift station site

**BID "A" BASED ON COMPLETION OF 325 Calendar Days**

ITEM NO.	DESCRIPTION	UNITS	QTY.	UNIT PRICE (\$)	EXTENDED PRICE (\$)
1	<i>Intentionally Left Blank</i>				
2	<i>Intentionally Left Blank</i>				
3	<i>Intentionally Left Blank</i>				
4	Wetwell Cleaning	401	SF	\$	\$
5	4" DR-11 HDPE Piping	44	LF	\$	\$
6	4" HDPE Flange Adapters	4	EA	\$	\$
7	4" HDPE Fittings	5	LB	\$	\$
8	4" BPIU-14 Base Ells	2	EA	\$	\$
9	4" Base Ell Mounting Plate	2	EA	\$	\$
10	S.S. Pipe Bracing - 6' Duplex	3	EA	\$	\$
11	<i>Intentionally Left Blank</i>				
12	<i>Intentionally Left Blank</i>				
13	2 Inch S.S. Pump Guide Rail System	37	LF	\$	\$
14	Resilient (Link) Seals w/ Carrier Pipe (4" FM)	4	EA	\$	\$
15	Spray Liner	401	SF	\$	\$
16	<i>Intentionally Left Blank</i>				
17	Remove & Replace 2" PVC drain P-trap (re-grout)	1	EA	\$	\$

BIDDER (FIRM NAME) \_\_\_\_\_

AUTHORIZED SIGNATURE: \_\_\_\_\_

Bid "A"



**BID FORM**  
(Submit in Triplicate)

**BID "A"**

**IFB# 11-1726-DS ----- 2011 Lift Station Rehab Group 2**

**PROJECT NAME:** Palm Aire 10 (RTU 450)  
**PROJECT NUMBER:** 402.0019707-5001325  
**SECTION / TOWNSHIP / RANGE:** S22/T35S/R18E  
**PROJECT DESCRIPTION:** Rehab wetwell & valve vault piping for lift station  
**PROJECT SITE DIMENSIONS:** All work within lift station site

**BID "A" BASED ON COMPLETION OF 325 Calendar Days**

ITEM NO.	DESCRIPTION	UNITS	QTY.	UNIT PRICE (\$)	EXTENDED PRICE (\$)
18	4" Flanged Gate Valve	3	EA	\$	\$
19	4" Flanged Swing Check Valve	2	EA	\$	\$
20	4" D.I. Flanged Pipe	6	LF	\$	\$
21	Ductile Iron Fittings	295	LB	\$	\$
22	4" D.I. Flanged Adapters	4	EA	\$	\$
23	4" Quick Coupler Adapter	1	EA	\$	\$
24	S.S. Valve Supports	3	EA	\$	\$
25	<i>Intentionally Left Blank</i>				
26	4" Plug Valve	1	EA	\$	\$
27	<i>Intentionally Left Blank</i>				
28	10" Influent Line Plug	1	EA	\$	\$
29	By-Pass Pumping <500 gpm	10	DAY	\$	\$
30	<i>Intentionally Left Blank</i>				
31	<i>Intentionally Left Blank</i>				
32	Core Bore Holes & Patch Ex. Holes for Piping	4	EA	\$	\$
33	<i>Intentionally Left Blank</i>				
34	<i>Intentionally Left Blank</i>				
35	<i>Intentionally Left Blank</i>				
	<b>Subtotal Construction Cost</b>			\$	\$

BIDDER (FIRM NAME) \_\_\_\_\_

AUTHORIZED SIGNATURE: \_\_\_\_\_

Bid "A"

**BID FORM**  
(Submit in Triplicate)

**BID "A"**

**IFB# 11-1726-DS ----- 2011 Lift Station Rehab Group 2**

**PROJECT NAME:** Palm Aire 10 (RTU 450)  
**PROJECT NUMBER:** 402.0019707-5001325  
**SECTION / TOWNSHIP / RANGE:** S22/T35S/R18E  
**PROJECT DESCRIPTION:** Rehab wetwell & valve vault piping for lift station  
**PROJECT SITE DIMENSIONS:** All work within lift station site

**BID "A" BASED ON COMPLETION OF 325 Calendar Days**

ITEM NO.	DESCRIPTION	UNITS	QTY.	UNIT PRICE (\$)	EXTENDED PRICE (\$)
36	Mobilization			\$	\$
37	Miscellaneous Work , Clean Up & Record Drawings			\$	\$
38	DISCRETIONARY WORK			\$	\$5,500.00
	<b>Total Construction Cost</b>				\$
	<b>TOTAL BID PRICE "A" Based on Completion Time of 325 Calendar Days</b>				\$

BIDDER (FIRM NAME) \_\_\_\_\_

AUTHORIZED SIGNATURE: \_\_\_\_\_

Bid "A"

**BID FORM**  
(Submit in Triplicate)

**BID "B"**

IFB# 11-1726-DS ----- 2011 Lift Station Rehab Group 2

**PROJECT NAME:** Palm Aire 10 (RTU 450)  
**PROJECT NUMBER:** 402.0019707-5001325  
**SECTION / TOWNSHIP / RANGE:** S22/T35S/R18E  
**PROJECT DESCRIPTION:** Rehab wetwell & valve vault piping for lift station  
**PROJECT SITE DIMENSIONS:** All work within lift station site

**BID "B" BASED ON COMPLETION OF 365 Calendar Days**

ITEM NO.	DESCRIPTION	UNITS	QTY.	UNIT PRICE (\$)	EXTENDED PRICE (\$)
1	<i>Intentionally Left Blank</i>				
2	<i>Intentionally Left Blank</i>				
3	<i>Intentionally Left Blank</i>				
4	Wetwell Cleaning	401	SF	\$	\$
5	4" DR-11 HDPE Piping	44	LF	\$	\$
6	4" HDPE Flange Adapters	4	EA	\$	\$
7	4" HDPE Fittings	5	LB	\$	\$
8	4" BPIU-14 Base Ells	2	EA	\$	\$
9	4" Base Ell Mounting Plate	2	EA	\$	\$
10	S.S. Pipe Bracing - 6' Duplex	3	EA	\$	\$
11	<i>Intentionally Left Blank</i>				
12	<i>Intentionally Left Blank</i>				
13	2 Inch S.S. Pump Guide Rail System	37	LF	\$	\$
14	Resilient (Link) Seals w/ Carrier Pipe (4" FM)	4	EA	\$	\$
15	Spray Liner	401	SF	\$	\$
16	<i>Intentionally Left Blank</i>				
17	Remove & Replace 2" PVC drain P-trap (re-grout)	1	EA	\$	\$

BIDDER (FIRM NAME) \_\_\_\_\_

AUTHORIZED SIGNATURE: \_\_\_\_\_

Bid "B"

**BID FORM**  
(Submit in Triplicate)

**BID "B"**

**IFB# 11-1726-DS ----- 2011 Lift Station Rehab Group 2**

**PROJECT NAME:** Palm Aire 10 (RTU 450)  
**PROJECT NUMBER:** 402.0019707-5001325  
**SECTION / TOWNSHIP / RANGE:** S22/T35S/R18E  
**PROJECT DESCRIPTION:** Rehab wetwell & valve vault piping for lift station  
**PROJECT SITE DIMENSIONS:** All work within lift station site

**BID "B" BASED ON COMPLETION OF 365 Calendar Days**

ITEM NO.	DESCRIPTION	UNITS	QTY.	UNIT PRICE (\$)	EXTENDED PRICE (\$)
18	4" Flanged Gate Valve	3	EA	\$	\$
19	4" Flanged Swing Check Valve	2	EA	\$	\$
20	4" D.I. Flanged Pipe	6	LF	\$	\$
21	Ductile Iron Fittings	295	LB	\$	\$
22	4" D.I. Flanged Adapters	4	EA	\$	\$
23	4" Quick Coupler Adapter	1	EA	\$	\$
24	S.S. Valve Supports	3	EA	\$	\$
25	<i>Intentionally Left Blank</i>				
26	4" Plug Valve	1	EA	\$	\$
27	<i>Intentionally Left Blank</i>				
28	10" Influent Line Plug	1	EA	\$	\$
29	By-Pass Pumping <500 gpm	10	DAY	\$	\$
30	<i>Intentionally Left Blank</i>				
31	<i>Intentionally Left Blank</i>				
32	Core Bore Holes & Patch Ex. Holes for Piping	4	EA	\$	\$
33	<i>Intentionally Left Blank</i>				
34	<i>Intentionally Left Blank</i>				
35	<i>Intentionally Left Blank</i>				
	<b>Subtotal Construction Cost</b>			\$	\$

BIDDER (FIRM NAME) \_\_\_\_\_

AUTHORIZED SIGNATURE: \_\_\_\_\_

Bid "B"

**BID FORM**  
(Submit in Triplicate)

**BID "B"**

**IFB# 11-1726-DS ----- 2011 Lift Station Rehab Group 2**

**PROJECT NAME:** Palm Aire 10 (RTU 450)  
**PROJECT NUMBER:** 402.0019707-5001325  
**SECTION / TOWNSHIP / RANGE:** S22/T35S/R18E  
**PROJECT DESCRIPTION:** Rehab wetwell & valve vault piping for lift station  
**PROJECT SITE DIMENSIONS:** All work within lift station site

**BID "B" BASED ON COMPLETION OF 365 Calendar Days**

ITEM NO.	DESCRIPTION	UNITS	QTY.	UNIT PRICE (\$)	EXTENDED PRICE (\$)
36	Mobilization			\$	\$
37	Miscellaneous Work , Clean Up & Record Drawings			\$	\$
38	DISCRETIONARY WORK			\$	\$5,500.00
	<b>Total Construction Cost</b>				\$
	<b>TOTAL BID PRICE "B" Based on Completion Time of 365 Calendar Days</b>				\$

BIDDER (FIRM NAME) \_\_\_\_\_

AUTHORIZED SIGNATURE: \_\_\_\_\_

Bid "B"

**BID FORM**  
(Submit in Triplicate)

BID "A"

IFB# 11-1726-DS ----- 2011 Lift Station Rehab Group 2

**PROJECT NAME:** Tide Vue 3 (RTU 503)  
**PROJECT NUMBER:** 402.0019707-5001330  
**SECTION / TWSHP / RANGE:** S17/T34S/R18E  
**PROJECT DESCRIPTION:** Rehab wetwell & valve vault piping for lift station  
**PROJECT SITE DIMENSIONS:** All work within lift station site

**BID "A" BASED ON COMPLETION OF 325 Calendar Days**

ITEM NO.	DESCRIPTION	UNITS	QTY.	UNIT PRICE (\$)	EXTENDED PRICE (\$)
1	<i>Intentionally Left Blank</i>				
2	<i>Intentionally Left Blank</i>				
3	Sod, Bahia Grass	SY	10	\$	\$
4	Wet well Cleaning	317	SF	\$	\$
5	4" DR-11 HDPE Piping	34	LF	\$	\$
6	4" HDPE Flange Adapters	4	EA	\$	\$
7	4" HDPE Fittings	5	LB	\$	\$
8	4" BPIU-14 Base Ells	2	EA	\$	\$
9	4" Base Ell Mounting Plate	2	EA	\$	\$
10	S.S. Pipe Bracing - 6' Duplex	2	EA	\$	\$
11	6" PVC (C900)	25	LF	\$	\$
12	Raise Existing 6-ft Dia. Wet Well Rim, 8 inches	0.7	VF	\$	\$
13	2 Inch S.S. Pump Guide Rail System	29	LF	\$	\$
14	Resilient (Link) Seals w/ Carrier Pipe (6" FM)	5	EA	\$	\$
15	Spray Liner	317	SF	\$	\$
16	<i>Intentionally Left Blank</i>				
17	Remove & Replace 2" PVC drain P-trap (re-grout)	1	EA	\$	\$

BIDDER (FIRM NAME) \_\_\_\_\_

AUTHORIZED SIGNATURE: \_\_\_\_\_

Bid "A"

**BID FORM**  
(Submit in Triplicate)

**BID "A"**

IFB# 11-1726-DS ----- 2011 Lift Station Rehab Group 2

**PROJECT NAME:** Tide Vue 3 (RTU 503)  
**PROJECT NUMBER:** 402.0019707-5001330  
**SECTION / TOWNSHIP / RANGE:** S17/T34S/R18E  
**PROJECT DESCRIPTION:** Rehab wetwell & valve vault piping for lift station  
**PROJECT SITE DIMENSIONS:** All work within lift station site

**BID "A" BASED ON COMPLETION OF 325 Calendar Days**

ITEM NO.	DESCRIPTION	UNITS	QTY.	UNIT PRICE (\$)	EXTENDED PRICE (\$)
18	4" Flanged Gate Valve	3	EA	\$	\$
19	4" Flanged Swing Check Valve	2	EA	\$	\$
20	<i>Intentionally Left Blank</i>				
21	Ductile Iron Fittings	350	LB	\$	\$
22	<i>Intentionally Left Blank</i>				
23	4" Quick Coupler Adapter	1	EA	\$	\$
24	S.S. Valve Supports	3	EA	\$	\$
25	New Precast Conc. Valve Vault and Hatch Cover (5'x5')	1	EA	\$	\$
26	4" Plug Valve	1	EA	\$	\$
27	4" PVC Pipe (C900) (cross/tee to plug valve)	6	LF	\$	\$
28	8" Influent Line Plug	1	EA	\$	\$
29	By-Pass Pumping <500 gpm	10	DAY	\$	\$
30	Water Service	10	LF	\$	\$
31	Backflow Preventer, Meter & Hose Bibb	1	EA	\$	\$
32	Core Bore Holes & Patch Ex. Holes for Piping	2	EA	\$	\$
33	<i>Intentionally Left Blank</i>				
34	<i>Intentionally Left Blank</i>				
35	<i>Intentionally Left Blank</i>				
	<b>Subtotal Construction Cost</b>			\$	\$

BIDDER (FIRM NAME) \_\_\_\_\_

AUTHORIZED SIGNATURE: \_\_\_\_\_

Bid "A"

**BID FORM**  
(Submit in Triplicate)

**BID "A"**

**IFB# 11-1726-DS ----- 2011 Lift Station Rehab Group 2**

**PROJECT NAME:** Tide Vue 3 (RTU 503)  
**PROJECT NUMBER:** 402.0019707-5001330  
**SECTION / TOWNSHIP / RANGE:** S17/T34S/R18E  
**PROJECT DESCRIPTION:** Rehab wetwell & valve vault piping for lift station  
**PROJECT SITE DIMENSIONS:** All work within lift station site

**BID "A" BASED ON COMPLETION OF 325 Calendar Days**

ITEM NO.	DESCRIPTION	UNITS	QTY.	UNIT PRICE (\$)	EXTENDED PRICE (\$)
36	Mobilization			\$	\$
37	Miscellaneous Work , Clean Up & Record Drawings			\$	\$
38	DISCRETIONARY WORK			\$	\$6,000.00
	<b>Total Construction Cost</b>				\$
	<b>TOTAL BID PRICE "A" Based on Completion Time of 325 Calendar Days</b>				\$

BIDDER (FIRM NAME) \_\_\_\_\_

AUTHORIZED SIGNATURE: \_\_\_\_\_

Bid "A"



**BID FORM**  
(Submit in Triplicate)

**BID "B"**

IFB# 11-1726-DS ----- 2011 Lift Station Rehab Group 2

**PROJECT NAME:** Tide Vue 3 (RTU 503)  
**PROJECT NUMBER:** 402.0019707-5001330  
**SECTION / TOWNSHIP / RANGE:** S17/T34S/R18E  
**PROJECT DESCRIPTION:** Rehab wetwell & valve vault piping for lift station  
**PROJECT SITE DIMENSIONS:** All work within lift station site

**BID "B" BASED ON COMPLETION OF 365 Calendar Days**

ITEM NO.	DESCRIPTION	UNITS	QTY.	UNIT PRICE (\$)	EXTENDED PRICE (\$)
1	<i>Intentionally Left Blank</i>				
2	<i>Intentionally Left Blank</i>				
3	Sod, Bahia Grass	SY	10	\$	\$
4	Wet well Cleaning	317	SF	\$	\$
5	4" DR-11 HDPE Piping	34	LF	\$	\$
6	4" HDPE Flange Adapters	4	EA	\$	\$
7	4" HDPE Fittings	5	LB	\$	\$
8	4" BPIU-14 Base Ells	2	EA	\$	\$
9	4" Base Ell Mounting Plate	2	EA	\$	\$
10	S.S. Pipe Bracing - 6' Duplex	2	EA	\$	\$
11	6" PVC (C900)	25	LF	\$	\$
12	Raise Existing 6-ft Dia. Wet Well Rim, 8 inches	0.7	VF	\$	\$
13	2 Inch S.S. Pump Guide Rail System	29	LF	\$	\$
14	Resilient (Link) Seals w/ Carrier Pipe (6" FM)	5	EA	\$	\$
15	Spray Liner	317	SF	\$	\$
16	<i>Intentionally Left Blank</i>				
17	Remove & Replace 2" PVC drain P-trap (re-grout)	1	EA	\$	\$

BIDDER (FIRM NAME) \_\_\_\_\_

AUTHORIZED SIGNATURE: \_\_\_\_\_

Bid "B"

**BID FORM**  
(Submit in Triplicate)

**BID "B"**

**IFB# 11-1726-DS ----- 2011 Lift Station Rehab Group 2**

**PROJECT NAME:** Tide Vue 3 (RTU 503)  
**PROJECT NUMBER:** 402.0019707-5001330  
**SECTION / TWNSHP / RANGE:** S17/T34S/R18E  
**PROJECT DESCRIPTION:** Rehab wetwell & valve vault piping for lift station  
**PROJECT SITE DIMENSIONS:** All work within lift station site

**BID "B" BASED ON COMPLETION OF 365 Calendar Days**

ITEM NO.	DESCRIPTION	UNITS	QTY.	UNIT PRICE (\$)	EXTENDED PRICE (\$)
18	4" Flanged Gate Valve	3	EA	\$	\$
19	4" Flanged Swing Check Valve	2	EA	\$	\$
20	<i>Intentionally Left Blank</i>				
21	Ductile Iron Fittings	350	LB	\$	\$
22	<i>Intentionally Left Blank</i>				
23	4" Quick Coupler Adapter	1	EA	\$	\$
24	S.S. Valve Supports	3	EA	\$	\$
25	New Precast Conc. Valve Vault and Hatch Cover (5'x5')	1	EA	\$	\$
26	4" Plug Valve	1	EA	\$	\$
27	4" PVC Pipe (C900) (cross/tee to plug valve)	6	LF	\$	\$
28	8" Influent Line Plug	1	EA	\$	\$
29	By-Pass Pumping <500 gpm	10	DAY	\$	\$
30	Water Service	10	LF	\$	\$
31	Backflow Preventer, Meter & Hose Bibb	1	EA	\$	\$
32	Core Bore Holes & Patch Ex. Holes for Piping	2	EA	\$	\$
33	<i>Intentionally Left Blank</i>				
34	<i>Intentionally Left Blank</i>				
35	<i>Intentionally Left Blank</i>				
	<b>Subtotal Construction Cost</b>			\$	\$

BIDDER (FIRM NAME) \_\_\_\_\_

AUTHORIZED SIGNATURE: \_\_\_\_\_

Bid "B"

**BID FORM**  
(Submit in Triplicate)

**BID "B"**

IFB# 11-1726-DS ----- 2011 Lift Station Rehab Group 2

**PROJECT NAME:** Tide Vue 3 (RTU 503)  
**PROJECT NUMBER:** 402.0019707-5001330  
**SECTION / TOWNSHIP / RANGE:** S17/T34S/R18E  
**PROJECT DESCRIPTION:** Rehab wetwell & valve vault piping for lift station  
**PROJECT SITE DIMENSIONS:** All work within lift station site

**BID "B" BASED ON COMPLETION OF 365 Calendar Days**

ITEM NO.	DESCRIPTION	UNITS	QTY.	UNIT PRICE (\$)	EXTENDED PRICE (\$)
36	Mobilization			\$	\$
37	Miscellaneous Work , Clean Up & Record Drawings			\$	\$
38	<b>DISCRETIONARY WORK</b>			\$	<b>\$6,000.00</b>
	<b>Total Construction Cost</b>				\$
	<b>TOTAL BID PRICE "B" Based on Completion Time of 365 Calendar Days</b>				\$

BIDDER (FIRM NAME) \_\_\_\_\_

AUTHORIZED SIGNATURE: \_\_\_\_\_

Bid "B"

SECTION 00430  
**CONTRACTOR'S QUESTIONNAIRE**  
(Submit in Triplicate)

The Bidder warrants the truth and accuracy of all statements and answers herein contained. (Include additional sheets if necessary.)

THIS QUESTIONNAIRE MUST BE COMPLETED AND SUBMITTED WITH YOUR BID/QUOTE.

1. LICENSE #: \_\_\_\_\_  
COMPANY'S NAME: \_\_\_\_\_  
\_\_\_\_\_  
CO. PHYSICAL ADDRESS  
\_\_\_\_\_  
CITY  
\_\_\_\_\_ STATE of INCORPORATION, IF APPLICABLE) \_\_\_\_\_ (ZIP CODE)  
(\_\_\_\_\_) \_\_\_\_\_ TELEPHONE NUMBER: (\_\_\_\_\_) \_\_\_\_\_ FAX  
EMAIL ADDRESS: \_\_\_\_\_

2. Bidding as an individual \_\_\_ a partnership: \_\_\_ a corporation; \_\_\_ a joint venture \_\_\_

3. If a partnership: list names and addresses of partners; if a corporation: list names of officers, directors, shareholders, and state of incorporation; if joint venture: list names and address of ventures' and the same if any venture are a corporation for each such corporation, partnership, or joint venture:  
\_\_\_\_\_  
\_\_\_\_\_  
\_\_\_\_\_  
\_\_\_\_\_

4. Your organization has been in business (under this firm's name) as a  
\_\_\_\_\_  
\_\_\_\_\_  
for how many years? \_\_\_\_\_  
\_\_\_\_\_  
\_\_\_\_\_ Years holding a Certified General Contractors license. **OR**  
\_\_\_\_\_  
\_\_\_\_\_ Years holding an Underground Utility Contractor license.

Has license ever been suspended, revoked, removed or under investigation?  
\_\_\_\_\_  
\_\_\_\_\_

5. Describe and give the date and County of the last three government projects you've completed which are similar in cost, type, size, and nature as the one proposed (for a public entity), include contact name and phone number. Provide the Budget, Actual Cost, Size and Summary of Work for each project. "Attach additional pages as necessary".

---

---

---

---

6. Have you ever been assessed liquidated damages under a contract during the past five (5) years? If so, state when, where (contact name, address, and phone number) and why.

---

---

---

7. Have you ever failed to complete work awarded to you? If so, state when, where (Contact name, address, phone number) and why?

---

---

---

---

8. Have you ever been debarred or prohibited from bidding on a governmental entity's construction project? If yes, name the entity and describe the circumstances:

---

---

---

---

9. Name three individuals, governmental entities, or corporations for which you have performed similar work and to which you refer. Include contact name and phone number:

- 1. \_\_\_\_\_
- 2. \_\_\_\_\_
- 3. \_\_\_\_\_

10. What specific steps have you taken to examine the physical conditions at or contiguous to the site, including but not limited to, the location of existing underground facilities?

Have you visited the sites? \_\_\_\_\_

Provide dates of site visit: \_\_\_\_\_

\_\_\_\_\_  
\_\_\_\_\_  
\_\_\_\_\_

11. What specific physical conditions, including, but not limited to, the location of existing underground facilities have you found which will, in any manner, affect cost, progress, performance, or finishing of the work?

\_\_\_\_\_  
\_\_\_\_\_  
\_\_\_\_\_

12. Will you subcontract any part of this Work? If so, describe which major portion(s):

\_\_\_\_\_  
\_\_\_\_\_  
\_\_\_\_\_

13. If any, list (with contract amount) WBE/MBE to be utilized:

\_\_\_\_\_  
\_\_\_\_\_  
\_\_\_\_\_

14. What equipment do you own to accomplish this Work?

---

---

---

15. What equipment will you purchase/rent for the Work? (Specify which)

---

---

---

16. List the following in connection with the Surety which is providing the Bond(s):

Surety's Name: \_\_\_\_\_

Surety's Address: \_\_\_\_\_

Surety's Address: \_\_\_\_\_

Name, address and phone number of Surety's resident agent for service of process in Florida:

---

---

---

Phone: (\_\_\_\_\_) \_\_\_\_\_

**PUBLIC CONTRACTING AND ENVIRONMENTAL CRIMES CERTIFICATION****SWORN STATEMENT PURSUANT TO ARTICLE 6,  
MANATEE COUNTY PURCHASING CODE**

**THIS FORM MUST BE SIGNED AND SWORN TO IN THE PRESENCE OF A NOTARY PUBLIC OR OTHER OFFICIAL AUTHORIZED TO ADMINISTER OATHS.**

This sworn statement is submitted to the Manatee County Board of County Commissioners by

\_\_\_\_\_ [print individual's name and title]

\_\_\_\_\_ for \_\_\_\_\_ [print name of entity submitting sworn statement]

whose business address is: \_\_\_\_\_

and (if applicable) its Federal Employer Identification Number (FEIN) is \_\_\_\_\_. If the entity has no FEIN, include

the Social Security Number of the individual signing this sworn statement: \_\_\_\_\_

I understand that no person or entity shall be awarded or receive a county contract for public improvements, procurement of goods or services (including professional services) or a county lease, franchise, concession or management agreement, or shall receive a grant of county monies unless such person or entity has submitted a written certification to the County that it has not:

- (1) been convicted of bribery or attempting to bribe a public officer or employee of Manatee County, the State of Florida, or any other public entity, including, but not limited to the Government of the United States, any state, or any local government authority in the United States, in that officer's or employee's official capacity; or
- (2) been convicted of an agreement or collusion among bidders or prospective bidders in restraint of freedom of competition, by agreement to bid a fixed price, or otherwise; or
- (3) been convicted of a violation of an environmental law that, in the sole opinion of the County's Purchasing Director, reflects negatively upon the ability of the person or entity to conduct business in a responsible manner; or
- (4) made an admission of guilt of such conduct described in items (1), (2) or (3) above, which is a matter of record, but has not been prosecuted for such conduct, or has made an admission of guilt of such conduct, which is a matter of record, pursuant to formal prosecution. An admission of guilt shall be construed to include a plea of nolo contendere; or
- (5) where an officer, official, agent or employee of a business entity has been convicted of or has admitted guilt to any of the crimes set forth above on behalf of such an entity and pursuant to the direction or authorization of an official thereof (including the person committing the offense, if he is an official of the business entity), the business shall be chargeable with the conduct herein above set forth. A business entity shall be chargeable with the conduct of an affiliated entity, whether wholly owned, partially owned, or one which has common ownership or a common Board of Directors. For purposes of this Form, business entities are affiliated if, directly or indirectly, one business entity controls or has the power to control another business entity, or if an individual or group of individuals controls or has the power to control both entities. Indicia of control shall include, without limitation, interlocking management or ownership, identity of interests among family members, shared organization of a business entity following the ineligibility of a business entity under this Article, or using substantially the same management, ownership or principles as the ineligible entity.



(Cont'd.)

Any person or entity who claims that this Article is inapplicable to him/her/it because a conviction or judgment has been reversed by a court of competent jurisdiction shall prove the same with documentation satisfactory to the County's Purchasing Director. Upon presentation of such satisfactory proof, the person or entity shall be allowed to contract with the County.

I UNDERSTAND THAT THE SUBMISSION OF THIS FORM TO THE CONTRACTING OFFICER FOR MANATEE COUNTY IS VALID THROUGH DECEMBER 31 OF THE CALENDAR YEAR IN WHICH IT IS FILED. I ALSO UNDERSTAND THAT ANY CONTRACT OR BUSINESS TRANSACTION SHALL PROVIDE FOR SUSPENSION OF PAYMENTS, OR TERMINATION, OR BOTH, IF THE CONTRACTING OFFICER OR THE COUNTY ADMINISTRATOR DETERMINES THAT **SUCH PERSON OR ENTITY HAS MADE FALSE CERTIFICATION.**

\_\_\_\_\_  
[Signature]

STATE OF FLORIDA  
COUNTY OF \_\_\_\_\_

Sworn to and subscribed before me this \_\_\_\_ day of \_\_\_\_\_, 2011 by \_\_\_\_\_

Personally known \_\_\_\_\_ OR Produced identification \_\_\_\_\_  
[Type of identification]

\_\_\_\_\_  
Notary Public Signature My commission expires \_\_\_\_\_

\_\_\_\_\_  
[Print, type or stamp Commissioned name of Notary Public]

**Signatory Requirement** - In the case of a business entity other than a partnership or a corporation, this affidavit shall be executed by an authorized agent of the entity. In the case of a partnership, this affidavit shall be executed by the general partner(s). In the case of a corporation, this affidavit shall be executed by the corporate president.

**SECTION 00491  
Drug Free Work Place Certification**

SWORN STATEMENT PURSUANT TO SECTION 6-101(7) (B),  
MANATEE COUNTY PURCHASING CODE

**THIS FORM MUST BE SIGNED AND SWORN TO IN THE PRESENCE OF A NOTARY PUBLIC OR OTHER OFFICIAL AUTHORIZED TO ADMINISTER OATHS.**

This sworn statement is submitted to the Manatee County Board of County Commissioners'

by \_\_\_\_\_  
[Print individual's name and title]

\_\_\_\_\_ for \_\_\_\_\_  
(print name of entity submitting sworn statement)

Whose business address is \_\_\_\_\_

and (if applicable) its Federal Employer Identification Number (FEIN) is \_\_\_\_\_

(If the entity has no FEIN, include the Social Security Number of the individual signing this sworn statement:  
\_\_\_\_\_.

I understand that no person or entity shall be awarded or receive a county contract for public improvements, procurement of goods or services (including professional services) or a county lease, franchise, concession or management agreement, or shall receive a grant of county monies unless such person or entity has submitted a written certification to the County that it will provide a drug free work place by:

(1) providing a written statement to each employee notifying such employee that the unlawful manufacture, distribution, dispensation, possession or use of a controlled substance as defined by § 893.02(4), Florida Statutes, as the same may be amended from time to time, in the person's or entity's work place is prohibited specifying the actions that will be taken against employees for violation of such prohibition. Such written statement shall inform employees about:

- (i) the dangers of drug abuse in the work place;
- (ii) the person's or entity's policy of maintaining a drug free environment at all its work places, including but not limited to all locations where employees perform any task relating to any portion of such contract, business transaction or grant;
- (iii) any available drug counseling, rehabilitation, and employee assistance programs; and
- (iv) the penalties that may be imposed upon employees for drug abuse violations.

(2) Requiring the employee to sign a copy of such written statement to acknowledge his or her receipt of same and advice as to the specifics of such policy. Such person or entity shall retain the statements signed by its employees. Such person or entity shall also post in a prominent place at all of its work places a written statement of its policy containing the foregoing elements (i) through (iv).

(3) Notifying the employee in the statement required by subsection (1) that as a condition of employment the employee will:

- (i) abide by the terms of the statement; and

ATTACHMENT B (Cont'd.)

(ii) notify the employer of any criminal drug statute conviction for a violation occurring in the work place no later than five (5) days after such a conviction.

(4) Notifying the County within ten (10) days after receiving notice under subsection (3) from an employee or otherwise receiving actual notice of such conviction.

(5) Imposing appropriate personnel action against such employee up to and including termination; or requiring such employee to satisfactorily participate in a drug abuse assistance or rehabilitation program approved for such purposes by a federal, state, or local health, law enforcement, or other appropriate agency.

(6) Making a good faith effort to continue to maintain a drug free work place through implementation of sections (1) through (5) stated above.

I UNDERSTAND THAT THE SUBMISSION OF THIS FORM TO THE CONTRACTING OFFICER FOR MANATEE COUNTY IS VALID THROUGH DECEMBER 31 OF THE CALENDAR YEAR IN WHICH IT IS FILED. I ALSO UNDERSTAND THAT ANY CONTRACT OR BUSINESS TRANSACTION SHALL PROVIDE FOR SUSPENSION OF PAYMENTS, OR TERMINATION, OR BOTH, IF THE CONTRACTING OFFICER OR THE COUNTY ADMINISTRATOR DETERMINES THAT:

- (1) Such person or entity has made false certification.
- (2) Such person or entity violates such certification by failing to carry out the requirements of sections (1), (2), (3), (4), (5), or (6) or subsection 3-101(7)(B); or
- (3) Such a number of employees of such person or entity have been convicted of violations occurring in the work place as to indicate that such person or entity has failed to make a good faith effort to provide a drug free work place as required by subsection 3-101(7) (B).

\_\_\_\_\_  
[Signature]

STATE OF FLORIDA  
COUNTY OF \_\_\_\_\_

Sworn to and subscribed before me this \_\_ day of \_\_\_\_\_, 2011 by \_\_\_\_\_

Personally known \_\_\_\_\_ OR Produced identification \_\_\_\_\_  
[Type of identification]

\_\_\_\_\_  
Notary Public Signature My commission expires \_\_\_\_\_

\_\_\_\_\_  
[Print, type or stamp Commissioned name of Notary Public]

**Signatory Requirement** - In the case of a business entity other than a partnership or a corporation, this affidavit shall be executed by an authorized agent of the entity. In the case of a partnership, this affidavit shall be executed by the general partner(s). In the case of a corporation, this affidavit shall be executed by the corporate president.

**SECTION 00500  
FORM OF AGREEMENT  
BETWEEN THE  
COUNTY OF MANATEE, FLORIDA  
AND THE CONTRACTOR AS IDENTIFIED BELOW  
ON THE BASIS OF A STIPULATED UNIT COST CONTRACT PRICE**

THIS AGREEMENT is made and entered into by and between the COUNTY OF MANATEE, a political subdivision of the state of Florida, hereinafter referred to as the "OWNER" and XXXXXXXXXXXXXXXXXXXXXXXXXXXXXXXXXXXX hereinafter referred to as the "CONTRACTOR," duly authorized to transact business in the state of Florida, with offices located at XXXXXXXXXXXXXXXXXXXXXXXXXXXXXXXXXXXX Phone: (    ) \_\_\_\_\_

**Article 1. WORK**

CONTRACTOR shall furnish all labor, materials, supplies, and other items required to complete the Work for IFB No. 11-1726-DS 2011 Lift Station Rehab Group 2 in strict accordance with Contract Documents and any duly authorized subsequent addenda thereto, all of which are made a part hereof.

**Article 2. ENGINEER**

The County of Manatee, Project Management Department, is responsible as the OWNER and Mr. Shea Shoun, Project Engineer, Infrastructure Engineering Division/Manatee County Public Works Department – Engineering hereinafter referred to as "ENGINEER," designed this project and is responsible for technical/engineering reviews and decisions. The ENGINEER is a member of the OWNER'S project management team which is collectively responsible in ensuring the Work is completed in accordance with the Contract Documents.

All communication involving this project will be addressed to Mr. Sal Bordonaro, Project Manager, Public Works Department and to Manatee County Infrastructure Engineering Division. All invoicing will be addressed to the attention of Mr. Sal Bordonaro, (address noted below) with invoice copies sent to Manatee County Infrastructure Division. (Mr. Shea Shoun).

County of Manatee  
Public Works Department  
Attention: Mr. Sal Bordonaro  
IFB# 11-1726-DS  
Project Manager  
1022 26<sup>th</sup> Avenue East  
Bradenton Florida 34208  
Phone (941) 708-7450 Ext. 7341

County of Manatee County  
Infrastructure Engineering Division  
Attn: Mr. Shea Shoun  
IFB# 11-1726-DS  
Project Engineer  
1022 26<sup>th</sup> Avenue East  
Bradenton Florida 34208  
Phone (708-7463), Ext. 7661

Where the terms ENGINEER and/or OWNER are used in the Contract Documents, it shall mean the OWNER'S project management team.

### **Article 3. CONTRACTOR'S REPRESENTATIONS**

In order to induce OWNER to enter into this Agreement, CONTRACTOR makes the following representations:

- 3.1 CONTRACTOR has familiarized itself with the nature and extent of the Bid Documents, Work, site, locality and all local conditions and laws and regulations that in any manner may affect cost, progress, performance or furnishing of the Work.
- 3.2 CONTRACTOR has studied carefully all drawings of the physical conditions upon which CONTRACTOR is entitled to rely.
- 3.3 CONTRACTOR has obtained and carefully studied (or assumes responsibility for obtaining and carefully studying) all such examinations, investigations, explorations, tests, reports and studies which pertain to the physical conditions at or contiguous to the site or which otherwise may affect the cost, progress, performance or furnishing of the Work as CONTRACTOR considers necessary for the performance or furnishing of the Work at the Contract Price, within the Contract Time and in accordance with the other terms and conditions of the Bid Documents; and no additional examinations, investigations, explorations, tests, reports, studies or similar information or data are or will be required by CONTRACTOR for such purposes.

- 3.4 CONTRACTOR has reviewed and checked all information and data shown or indicated on the Bid Documents with respect to existing underground facilities at or contiguous to the site and assumes responsibility for the accurate location of said underground facilities. Any additional examinations, investigations, explorations, tests, reports, studies or similar information or data in respect of said underground facilities conducted by the CONTRACTOR will be done at the CONTRACTOR'S expense.
- 3.5 CONTRACTOR has correlated the results of all such observations, examinations, investigations, explorations, tests, reports and studies with the terms and conditions of the Bid.
- 3.6 CONTRACTOR has given OWNER written notice of all conflicts, errors or discrepancies that have been discovered in the Bid Documents and the written resolution thereof by OWNER is acceptable to CONTRACTOR.
- 3.7 CONTRACTOR shall schedule and perform the Work subject to OWNER'S approval and shall hold OWNER harmless from all liabilities incurred due to CONTRACTOR'S failure to coordinate with the OWNER.

#### **Article 4. CONTRACT DOCUMENTS**

The Contract Documents which comprise the entire Agreement between OWNER and CONTRACTOR concerning the Work consist of the following:

- 4.1 This Agreement and Bid Document **IFB#11-1726-DS**
- 4.2 Performance and/or other Bonds and Insurance Certificate(s)
- 4.3 Drawings (not attached)
- 4.4 Addenda numbers \_\_\_\_\_ to \_\_\_\_\_, inclusive.
- 4.5 CONTRACTOR'S Bid Form and any other information submitted by Contractor prior to Notice of Award.

- 4.6 The following which may be delivered or issued after the effective date of the Agreement and are not attached hereto: all written Change Orders and other documents amending, modifying, or supplementing the Contract Documents.
- 4.7 The documents listed in paragraphs above are attached to this Agreement (except as noted otherwise above). There are no Contract Documents other than those listed above in this Article 4.

## **Article 5.**

### **MISCELLANEOUS**

- 5.1 Terms used in this Agreement are defined in Article 1 of the General Conditions.
- 5.2 No assignment by a party hereto of any rights under or interest in the Contract Documents will be binding on another party hereto without the written consent of the party sought to be bound; and specifically but without limitation, monies that may become due and monies that are due may not be assigned without such consent (except to the extent that the effect of this restriction may be limited by law); and unless specifically stated to the contrary in any written consent to an assignment, no assignment will release or discharge the assignee from any duty or responsibility under the Contract Documents.
- 5.3 OWNER and CONTRACTOR each binds itself, its partners, successors, assigns and legal representatives to the other party hereto, its partners, successors, assigns and legal representatives in respect of all covenants, agreements and obligations contained in the Contract Documents.

The OWNER will pay, and the CONTRACTOR will accept in full consideration for the performance of the Work (**IFB No. #11-1726-DS, 2011 Lift Station Rehab Group 1**) subject to additions and deductions as provided therein, the sum of Dollars and xxxxxxxxxxxxxx Cents (\$ xxxxxxxxxxxxxx) for Bid "X" based on Completion Time of xxx calendar days and the sum of **\$566.00** as liquidated damages for each calendar day of delay.

\_\_\_\_\_  
CONTRACTOR

BY: \_\_\_\_\_  
Signature

\_\_\_\_\_  
Name and Title of Signer (printed)

Date: \_\_\_\_\_

MANATEE COUNTY GOVERNMENT

BY: \_\_\_\_\_ For the County  
Signature

R. C. "Rob" Cuthbert, C.P.M.; CPPO, Purchasing Official  
Name and Title of Signer

Date: \_\_\_\_\_



SECTION 00700  
GENERAL CONDITIONS

ARTICLE I - DEFINITIONS

Whenever used in the Bid Documents, the following terms have the meaning indicated which are applicable to both the singular and plural thereof:

Addendum - Written or graphic instruments issued prior to the opening of bids which clarify or change the bidding documents or the contract documents.

Agreement - The written Agreement between Owner and Contractor covering the Work to be performed; other contract documents are attached to the Agreement and made a part thereof as provided therein.

Written Amendment - A written amendment of the contract documents, signed by Owner and Contractor on or after the effective date of the Agreement and normally dealing with the non-engineering or non-technical rather than strictly work related aspects of the contract documents.

Application for Payment - The form accepted by Project Representative which is to be used by Contractor in requesting progress or final payments and which is to include such supporting documentation as is required by the contract documents.

Award - Acceptance of the bid from the person, firm, or corporation which in the Owner's sole and absolute judgment will under all circumstances best serve the public interest. Award shall be made in accordance with Manatee County Code of Laws.

Bid - The offer of the bidder submitted on the prescribed form setting forth the prices for the Work to be performed.

Bidder - One who submits a bid directly to the Owner, as distinct from a sub-bidder, who submits a bid to a Bidder.

Bidding Documents - Consists of the Invitation For Bid, which includes but is not limited to: the bid form, drawings, technical specifications, terms and conditions, and the proposed contract documents (including all Addenda issued prior to receipt of bids); and becomes a part of the Agreement.

Bonds - Performance and payment bonds and other instruments of security.

Change Order - A document recommended by Project Representative which is signed by Contractor and Owner and authorizes an addition, deletion, or revision in the Work or an adjustment in the contract price or the contract time, issued on or after the effective date of the Agreement.

Compensable Delay - Any delay beyond the control and without the fault or negligence of the Contractor resulting from Owner-caused changes in the Work, differing site conditions, suspensions of the Work, or termination for convenience by Owner.

Contract Documents - The Agreement, Addenda (which pertain to the contract documents), Contractor's bid (including documentation accompanying the bid and any post-bid documentation submitted prior to the Notice of Award), the bonds, the specifications and the drawings, together with all amendments, modifications and supplements issued on or after the effective date of the Agreement.

Contract Price - The monies payable by Owner to Contractor under the contract documents as stated in the Agreement.

Contract Time - The number of days or the date stated in the Notice to Proceed for the completion of the Work.

Contractor - The person, firm or corporation with whom Owner has entered into an Agreement.

Days - All references to days are to be considered calendar days except as specified differently.

Defective - An adjective which when modifying the work refers to work that is unsatisfactory, faulty or deficient, or does not conform to the contract documents, or does not meet the requirements of any inspection, reference standard, test or approval referred to in the contract documents, or has been damaged prior to Project Representative's recommendation of final payment (unless responsibility for the protection thereof has been assumed by Owner).

Discretionary - Payment for all work that shall be made only at the Owner's discretion in order to satisfactorily complete the project in accordance with the Plans and Specifications.

Drawings - The drawings which show the character and scope of the Work to be performed and which have been prepared or approved by Engineer and are referred to in the bidding and contract documents.

Effective Date of the Agreement - The date indicated in the Agreement on which it becomes effective (date of execution).

Excusable Delay - Any delay beyond the control and without the negligence of the Contractor, the Owner, or any other contractor caused by events or circumstances such as, but not limited to, acts of God or of the public enemy, fires, floods, freight embargoes, acts of government other than Owner or epidemics. Labor disputes and above average rainfall shall give rise only to excusable delays.

Float or Slack Time - The time available in the progress schedule during which an unexpected activity can be completed without delaying substantial completion of the Work.

Inexcusable Delay - Any delay caused by events or circumstances within the control of the Contractor, such as inadequate crewing, slow submittals, etc., which might have been avoided by the exercise of care, prudence, foresight, or diligence on the part of the Contractor.

Non-prejudicial Delay - Any delay impacting a portion of the Work within the available total float or slack time and not necessarily preventing completion of the Work within the contract time.

Notice of Award - The written notice to the successful bidder stating Award has been approved by the Board of County Commissioners; or by the Purchasing Official in accordance with Manatee County Purchasing Code of Law, Chapter 2-26, Manatee County Purchasing Ordinance.

Notice of Intent to Award - The written notice to the apparent low bidder stating Award has been recommended with final Award to be authorized by the Board of County Commissioners.

Notice to Proceed - Written notice by Owner (after execution of contract) to Contractor fixing the date on which the contract time will commence to run and on which Contractor shall start to perform (ten (10) days from date of such notice) Contractor's obligations under the contract documents.

Owner - Manatee County, Florida, Board of County Commissioners.

Preconstruction Conference - Prior to starting the Work, a meeting scheduled by Owner with Contractor to review the Work schedules, to establish procedures for handling shop drawings and other submissions, for processing periodical pay estimates, and such other matters as may be pertinent to the project.

Prejudicial Delay - Any excusable or compensable delay impacting the Work and exceeding the total float available in the progress schedule, thus preventing completion of the Work within the contract time unless the Work is accelerated.

Pre-operation Testing - All field inspections, installation checks, water tests, performance tests and necessary corrections required of Contractor to demonstrate that individual components of the work have been properly constructed and do operate in accordance with the contract documents for their intended purposes.

Project - The total construction of which the Work to be provided under the contract documents may be the whole or a part as indicated elsewhere in the contract documents.

Project Representative - The authorized representative of Owner who is assigned to the project or any part thereof.

**Shop Drawings** - All drawings, diagrams, illustrations, schedules and other data which are specifically prepared by or for Contractor to illustrate some portion of the Work and all illustrations, brochures, standard schedules, performance charts, instructions, diagrams and other information prepared by a supplier and submitted by Contractor to illustrate material or equipment for some portion of the Work.

**Specifications** - Those portions of the contract documents consisting of written technical descriptions of materials, equipment, construction systems, standards and workmanship as applied to the Work and certain administrative details applicable thereto.

**Subcontractor** - An individual or corporation having a direct contact with Contractor or with any other subcontractor for the performance of a part of the Work at the site. Such person or firm has contractual relations with the Contractor, not with the Owner.

**Substantial Completion** - The Work (or a specified part thereof) has progressed to the point when, in the opinion of the Engineer as evidenced by Engineer's definitive certificate of Substantial Completion, it is sufficiently complete in accordance with contract documents so that the work can be utilized for the purposes for which it is intended; or if there be no such certificate issued, when final payment is due.

**Successful Bidder** - The lowest qualified, responsible and responsive bidder to whom an award is made.

**Supplier** - A manufacturer, fabricator, supplier, distributor, materialman or vendor.

**Underground Facilities** - All pipelines, conduits, ducts, cables, wires, manholes, vaults, tanks, tunnels or other such facilities or attachments and any encasement containing such facilities which have been installed underground to furnish any of the following services or materials: electricity, gases, steam, liquid petroleum products, telephone or other communications, cable television, sewage and drainage removal, traffic or other control systems or water.

**Unit Price Work** - Work to be paid for on the basis of unit prices.

**Work** - The entire completed construction or the various separately identifiable parts thereof required to be furnished under the contract documents. Work is the result of performing services, furnishing labor and furnishing and incorporating materials and equipment into the construction, all as required by the contract documents.

**Work Directive Change** - A written directive to contractor, issued on or after the effective date of the Agreement and signed by Owner and recommended by Project Representative ordering an addition, deletion or revision in the Work, or responding to differing or unforeseen physical conditions under which the Work is to be performed or to emergencies. A work directive change may not change the contract price or the contract time; but is evidence that the parties expect that the change directed or documented by a work directive change will be incorporated in a subsequently issued change order following negotiations by the parties as to its effect, if any, on the contract price or contract time.

## ARTICLE 2 - PRELIMINARY MATTERS

Computation of Time: When time is referred to in the contract documents by days, it will be computed to exclude the first and include the last day of such period. If the last day of any such period falls on a Saturday or Sunday or legal holiday, such day will be omitted from the computation.

- 2.1 The Contractor must submit a proposed schedule of the Work at the preconstruction conference. The purpose of this schedule is to enable the Owner to govern the Work, to protect the functions of the local government and its citizens and to aid in providing appropriate surveillance. The Owner shall have the right to reschedule work provided such rescheduling is in accord with the remainder of terms of the contract. The schedule shall show, as a minimum, the approximate dates on which each segment of the work is expected to be started and finished, the proposed traffic flows during each month, the anticipated earnings by the Contractor for each month and the approximate number of crews and equipment to be used. The Owner, after necessary rescheduling and obtaining additional information for specific purposes, shall review and approve the schedule. The Contractor shall also forward to the Owner, as soon as practicable after the first day of each month, a summary report of the progress of the various parts of the work under the contract, in fabrication and in the field, stating the existing status, estimated time of completion and cause of delay, if any. Together with the summary report, the Contractor shall submit any necessary revisions to the original schedule for the Owner's review and approval. In addition, more detailed schedules may be required by the Owner for daily traffic control.
- 2.2 A Notice to Proceed may be given at any time within thirty (30) days after the effective date of the Agreement. The contract time will commence at the time specified in such notice. Contractor shall start to perform the Work on the date specified in the notice to proceed, but no work shall be done at the site prior to the date on which the contract time commences to run.
- 2.3 If at any time the materials and appliances to be used appear to the Owner as insufficient or improper for securing the quality of work required or the required rate of progress, the Owner may order the Contractor to increase his efficiency or to improve the character of his work and the Contractor shall conform to such an order. The failure of the Owner to demand any increase of such efficiency of any improvement shall not release the Owner from his obligation to secure the quality of work or the rate of progress necessary to complete the Work within the limits imposed by the contract. The Owner may require the Contractor to remove from the Work such employees as the Owner deems incompetent, careless, insubordinate or otherwise objectionable, or whose continued employment on the Work is deemed to be contrary to the Owner's interest.
- 2.4 The Owner reserves the right to let other Contracts in connection with this Work. The Contractor shall afford other Contractors reasonable opportunity for the introduction and storage of their materials and execution of their Work, and promptly connect and coordinate the Work with theirs.

**ARTICLE 3 - CONTRACT DOCUMENTS: INTENT, AMENDING, RE-USE**

- 3.1 The contract documents comprise the entire Agreement between Owner and Contractor concerning the work. The contract documents are complementary; what is called for by one is as binding as if called for by all. The contract documents will be construed in accordance with the laws and ordinances of the State of Florida and Manatee County.

Should a conflict exist within the contract documents, the precedence in ascending order of authority are as follows: 1) Standard Printed Contract Documents, 2) Special Conditions, 3) General Conditions and 4) Drawings. Note: Computed dimensions shall govern over scaled dimensions.

- 3.2 It is the intent of the contract documents to describe a functionally complete project (or part thereof) to be constructed in accordance with the contract documents. Any work, materials or equipment that may reasonably be inferred from the contract documents as being required to produce the intended result will be supplied whether or not specifically called for. When words which have a well-known technical or trade meaning are used to describe work, materials, or equipment, such words shall be interpreted in accordance with that meaning. Reference to standard specifications, manuals or codes of any technical society, organization or association, or to the laws or regulations of any governmental authority, whether such reference be specific or by implication, shall mean the latest standard specification, manual, code or laws or regulations in effect at the time of opening of bids, except as may be otherwise specifically stated. However, no provision of any referenced standard specification, manual or code (whether or not specifically incorporated by reference in the contract documents) shall be effective to change the duties and responsibilities of Owner, Contractor or Engineer, or any of their agents or employees from those set forth in the Contract Documents.

- 3.3 The contract documents may be amended to provide for additions, deletions and revisions in the Work or to modify the terms and conditions thereof in one or more of the following ways:

- 3.3.1 A Formal Written Amendment
- 3.3.2 A Change Order
- 3.3.3 Administrative Contract Adjustment (ACA)

- 3.4 In addition, the requirements of the contract documents may be supplemented and minor variations and deviations in the Work may be authorized in one or more of the following ways:

- 3.4.1 Discretionary Work – Field Directive
- 3.4.2 Engineer's approval of a Shop Drawing or sample.

## ARTICLE 4 - CONTRACTOR'S RESPONSIBILITIES

- 4.1 Contractor shall keep on the Work at all times during its progress a competent resident superintendent; who shall be the Contractor's representative at the site and shall have authority to act on behalf of Contractor. All communications given to the superintendent shall be as binding as if given to Contractor.
- 4.2 Contractor shall provide competent, suitable qualified personnel to survey and lay out the Work and perform construction as required by the contract documents. Contractor shall at all times maintain good discipline and order at the site. Except in connection with the safety or protection of persons or the Work or property at the site or adjacent thereto and except as otherwise indicated in the contract documents, all Work at the site shall be performed during regular working hours and Contractor will not permit overtime work or the performance of work on Saturday, Sunday or legal holiday without Owner's written consent given after prior notice to Engineer (at least 72 hours in advance).
- 4.2.1 Contractor shall pay for all additional engineering charges to the Owner for any overtime work which may be authorized. Such additional engineering charges shall be a subsidiary obligation of Contractor and no extra payment shall be made by Owner on account of such overtime work. At Owner's option, overtime costs may be deducted from Contractor's monthly payment request or Contractor's retainage prior to release of final payment.
- 4.3 Unless otherwise specified, Contractor shall furnish and assume full responsibility for all bonds, insurance, materials, equipment, labor, transportation, construction equipment and machinery, tools, appliances, fuel, power, light, heat, telephone, water, sanitary facilities, temporary facilities and all other facilities and incidentals necessary for the furnishing, performance, testing, start-up and completion of the Work.
- 4.4 All materials and equipment shall be of good quality and new, except as otherwise provided in the contract documents. If required by Engineer, Contractor shall furnish satisfactory evidence (including reports of required tests) as to the kind and quality of materials and equipment. All materials and equipment shall be applied, installed, connected, erected, used, cleaned and conditioned in accordance with the instruction of the applicable supplier except as otherwise provided in the contract documents.
- 4.5 Contractor shall be fully responsible to Owner for all acts and omissions of the subcontractors, suppliers and other persons and organizations performing or furnishing any of the Work under a direct or indirect contract with Contractor just as Contractor is responsible for Contractor's own acts and omissions. Nothing in the Contract Documents shall create any contractual relationship between Owner or Engineer and any such subcontractor, supplier or other person or organization, nor shall it create any obligation on the part of Owner to pay or to see to the payment of any monies due any such subcontractor, supplier or other person or organization.

- 4.6 **Permits:** Unless otherwise provided, Contractor shall obtain and pay for all construction permits and licenses. Owner shall assist Contractor, when necessary, in obtaining such permits and licenses. Contractor shall pay all governmental charges and inspection fees necessary for the prosecution of the Work.
- 4.7 During the progress of the Work, Contractor shall keep the premises free from accumulation of waste materials rubbish and other debris resulting from the Work. At the completion of the Work, Contractor shall remove all waste materials, rubbish and debris from and about the premises as well as all tools, appliances, construction equipment and machinery and surplus materials and shall leave the site clean and ready for occupancy by Owner. Contractor shall restore to original conditions all property not designated for alteration by the Contract Documents.
- 4.8 Contractor shall not load nor permit any part of any structure to be loaded in any manner that will endanger the structure, nor shall Contractor subject any part of the Work or adjacent property to stresses or pressures that will endanger it.
- 4.9 **Safety and Protection:** Contractor shall comply with the Florida Department of Commerce Safety Regulations and any local safety regulations. Contractor shall be responsible for initiating, maintaining and supervising all safety precautions and programs in connection with the Work. Contractor shall take all necessary precautions for the safety of and shall provide the necessary protection to prevent damage, injury or loss to:
- 4.9.1 all employees on the work and other persons and organizations who may be affected thereby;
  - 4.9.2 all the work and materials and equipment to be incorporated therein, whether in storage on or off the site; and
  - 4.9.3 other property at the site or adjacent thereto, including trees, shrubs, lawns, walks, pavements, roadways, structures, utilities and underground facilities not designated for removal, relocation or replacement in the course of construction.

Contractor shall comply with all applicable laws and regulations of any public body having jurisdiction for the safety of persons or property or to protect them from damage, injury or loss; and shall erect and maintain all necessary safeguards for such safety and protection. Contractor shall provide and maintain all passageways, guard fences, lights and other facilities for the protection required by public authority or local conditions. Contractor shall provide reasonable maintenance of traffic way for the public and preservation of the Owner's business, taking into full consideration all local conditions. Contractor's duties and responsibilities for the safety and protection of the work shall continue until such time as all the work is completed.



- 4.10 **Emergencies:** In emergencies affecting the safety or protection of persons or the work or property at the site or adjacent thereto, Contractor, without special instruction or authorization from Engineer or Owner, is obligated to act to prevent threatened damage, injury or loss. Contractor shall give Owner prompt written notice if Contractor believes that any significant changes in the work or variations from the contract documents have been caused thereby. If Owner determines that a change in the contract documents is required because of the action taken in response to an emergency, a Work Directive Change or Change Order will be issued to document the consequences of the changes or variation.
- 4.11 For substitutes not included with the bid, but submitted after the effective date of the Agreement, Contractor shall make written application to Engineer for acceptance thereof, certifying that the proposed substitute will perform adequately the functions and achieve the results called for by the general design, be similar and of equal substance to that specified and be suited to the same use as that specified. The application will also contain an itemized estimate of all costs and delays or schedule impacts that will result directly or indirectly from review, acceptance and provisions of such substitute, including costs of redesign and claims of other contractors affected by the resulting change, all of which will be considered by the Engineer in evaluating the proposed substitute. Engineer may require Contractor to furnish at Contractor's expense, additional data about the proposed substitute. In rendering a decision, Owner/Engineer and Contractor shall have access to any available float time in the construction schedule. In the event that substitute materials or equipment not included as part of the bid, but proposed after the effective date of the agreement, are accepted and are less costly than the originally specified materials or equipment, then the net difference in cost shall be credited to the Owner and an appropriate change order executed.
- 4.11.1 If a specific means, method, technique, sequence of procedure of construction is indicated in or required by the contract documents, Contractor may furnish or utilize a substitute means, method, sequence, technique or procedure of construction acceptable to Engineer if Contractor submits sufficient information to allow Engineer to determine that the substitute proposed is equivalent to that indicated or required by the contract documents.
- 4.11.2 Engineer will be allowed a reasonable time within which to evaluate each proposed substitute. Engineer will be the sole judge of acceptability and no substitute will be ordered, installed or utilized without Engineer's prior written acceptance which will be evidenced by either a change order or an approved shop drawing. Owner may require Contractor to furnish at Contractor's expense a special performance guarantee or other surety with respect to any substitute.
- 4.11.3 Contractor shall reimburse Owner for the charges of Engineer and Engineer's Consultants for evaluating each proposed substitute submitted after the effective date of the Agreement and all costs resulting from any delays in the work while the substitute was undergoing review.

- 4.12 The Contractor shall furnish, free of charge, all labor, stakes, surveys, batter boards for structures, grade lines and other materials and supplies and shall set construction stakes and batter boards for establishing lines, position of structures, slopes and other controlling points necessary for the proper prosecution of the construction work. Where rights-of-way, easements, property lines or any other conditions which make the lay-out of the project or parts of the project critical are involved, the Contractor will employ a competent surveyor who is registered in the State of Florida for lay-out and staking. These stakes and marks shall constitute the field control by and in accord with which the Contractor shall govern and execute the work. The Contractor will be held responsible for the preservation of all stakes, marks and if for any reason any of the stakes or marks or batter boards become destroyed or disturbed, they will be immediately and accurately replaced by the Contractor.
- 4.13 The Contractor has, by careful examination, satisfied himself as to the nature and location of the work and all other matters which can in any way affect the work under this contract, including, but not limited to details pertaining to boring, as shown on the drawings, are not guaranteed to be more than a general indication of the materials likely to be found adjacent to holes bored at the site of the work, approximately at the locations indicated. The Contractor shall examine boring data, where available, and make his own interpretation of the subsoil investigations and other preliminary data, and shall base his bid on his own opinion of the conditions likely to be encountered. In no event shall an extension of time be considered for any conditions that existed at the time of bidding, nor shall the Contractor receive extra compensation for completion of the project as intended by the drawings and in keeping with the contract documents. No verbal agreement or conversation with any officer, agent or employee of the Owner, before or after the execution of this contract, shall affect or modify any of the terms or obligations herein contained.
- 4.14 If the Contractor, in the course of the work, finds that the drawings and/or Contract Documents cannot be followed, he shall immediately inform the Owner in writing, and the Owner shall promptly check the accuracy of the information. Any work done after such discovery, until any necessary changes are authorized, will be done at the Contractor's risk.

## ARTICLE 5 - OWNER'S RESPONSIBILITIES

- 5.1 Owner shall furnish the data required of Owner under the contract documents promptly and shall make payments to the Contractor within a reasonable time (no more than 45 days) after the Work has been accepted by the Owner. The form of all submittals, notices, change orders and other documents permitted or required to be used or transmitted under the contract documents shall be determined by the Owner/Engineer. Standard County forms shall be utilized.
- 5.2 The Owner shall provide the lands upon which the Work under this contract is to be done, except that the Contractor shall provide all necessary additional land required for the erection of temporary construction facilities and storage of his materials, together with right of access to same.

- 5.3 The Owner shall have the right to take possession of and use any completed portions of the work, although the time for completing the entire work or such portions may not have expired, but such taking possession and use shall not be deemed an acceptance of any work not completed in accordance with the Contract Documents.

#### ARTICLE 6 - CHANGES IN THE WORK

- 6.1 Without invalidating the Agreement and without notice to any surety, Owner may, at any time, order additions, deletions or revisions in the Work. These will be authorized by a written amendment, a change order, or a work directive change. Upon receipt of any such document, Contractor shall promptly proceed with the Work involved which will be performed under the applicable conditions of the contract documents (except as otherwise specifically provided).
- 6.2 Contractor shall not be entitled to an increase in the contract price or an extension of the contract time with respect to any Work performed that is not required by the contract documents as amended, modified and supplemented.
- 6.3 Owner and Contractor shall execute appropriate change orders (or written amendments) covering changes in the Work which are ordered by Owner, or which may be required because of acceptance of defective Work.
- 6.4 At any time Engineer may request a quotation from Contractor for a proposed change in the Work and within twenty-one (21) calendar days after receipt, Contractor shall submit a written and detailed proposal for an increase or decrease in the contract price or contract time for the proposed change. Engineer shall have 21 calendar days after receipt of the detailed proposal to respond in writing. The proposal shall include an itemized estimate of all costs and time for performance that will result directly or indirectly from the proposed change. Unless otherwise directed, itemized estimates shall be in sufficient detail to reasonably permit an analysis by Engineer of all material, labor, equipment, subcontracts, overhead costs and fees, and shall cover all Work involved in the change, whether such Work was deleted, added, changed or impacted. Notwithstanding the request for quotation, Contractor shall carry on the Work and maintain the progress schedule. Delays in the submittal of the written and detailed proposal will be considered non-prejudicial.

#### ARTICLE 7 - CHANGE OF CONTRACT PRICE

- 7.1 The contract price constitutes the total compensation (subject to authorized adjustments) payable to Contractor for performing the Work. All duties, responsibilities and obligations assigned to or undertaken by Contractor shall be at his expense without change in the contract price.

- 7.2 The contract price may only be changed by change order or by a written amendment. Any claim for an increase or decrease in the contract price shall be based on written notice delivered by the party making the claim to the other party. Notice of the amount of the claim with supporting data shall be delivered within ten (10) days from the beginning of such occurrence and shall be accompanied by claimant's written statement that the amount claimed covers all known amounts (direct, indirect and consequential) to which the claimant is entitled as a result of the occurrence of said event.
- 7.3 The value of any Work covered by a change order or of any claim for an increase or decrease in the contract price shall be determined in one of the following ways (at Owner's discretion):
- 7.3.1 Where the Work involved is covered by unit prices contained in the contract documents, cost will be determined by application of such unit prices to the quantities of the items involved.
  - 7.3.2 By mutual acceptance of lump sum.
  - 7.3.3 On the basis of the cost of the Work, plus a 20% Contractor's fee for overhead and profit. (Contractor shall submit an itemized cost breakdown together with supporting data.)
- 7.4 Either Owner or Contractor may make a claim for an adjustment in the contract price. The unit price of an item of unit price Work shall be subject to re-evaluation and adjustment under the following conditions:
- 7.4.1 If the total cost of a particular item of unit price Work amounts to 5% or more of the contract price and the variation in the quantity of the particular item of unit price Work performed by Contractor differs by more than 15% from the estimated quantity of such item indicated in the Agreement; and
  - 7.4.2 If there is no corresponding adjustment with respect to any other item of Work; and
  - 7.4.3 If a Contractor believes that it has incurred additional expense as a result thereof; or
  - 7.4.4 If Owner believes that the quantity variation entitles it to an adjustment in the unit price; or
  - 7.4.5 If the parties are unable to agree as to the effect of any such variations in the quantity of unit price Work performed.

## ARTICLE 8 - CHANGE OF CONTRACT TIME

- 8.1 Contract time may only be changed by a change order or a written amendment. Any claim for an extension or shortening of the contract time shall be based on written notice delivered by the party making the claim to the other party. Notice of the extent of the claim with supporting data shall be delivered within fifteen (15) days from detection or beginning of such occurrence and shall be accompanied by the claimant's written statement that the adjustment claimed is the entire adjustment to which the claimant has reason to believe it is entitled as a result of the occurrence of said event.
- 8.2 The contract time will be extended in an amount equal to time lost due to delays beyond the control of Contractor. Such delays shall include, but not be limited to, acts or neglect by Owner or others performing additional work; or to fires, floods, epidemics, abnormal weather conditions or acts of God.
- 8.3 All time limits stated in the contract documents are of the essence.

## ARTICLE 9 - WARRANTY, TEST/INSPECTION, CORRECTION

- 9.1 Contractor warrants (for a minimum period of three years or as otherwise stated herein) and guarantees to Owner that all work will be in accordance with the contract documents and will not be defective; that Owner, representatives of Owner, governmental agencies with jurisdictional interests will have access to the work at reasonable time for their observation, inspecting and testing (Contractor shall give Engineer timely notice of readiness of the work for all required approvals and shall assume full responsibility, including costs, in obtaining required tests, inspections, and approval certifications and/or acceptance, unless otherwise stated by Owner).
- 9.2 If any work (including work of others) that is to be inspected, tested, or approved is covered without written concurrence of Engineer, it must, if requested by Engineer, be uncovered for observation. Such uncovering shall be at Contractor's expense unless Contractor has given Engineer timely notice of Contractor's intention to cover the same and Engineer has not acted with reasonable promptness in response to such notice. Neither observations by Engineer nor inspections, tests, or approvals by others shall relieve Contractor from Contractor's obligations to perform the work in accordance with the contract documents.
- 9.3 If the work is defective, or Contractor fails to supply sufficient skilled workers, or suitable materials or equipment, or fails to furnish or perform the work in such a way that the completed work will conform to the contract documents, Owner may order Contractor to stop the work, or any portion thereof and terminate payments to the Contractor until the cause for such order has been eliminated. Contractor shall bear all direct, indirect and consequential costs for satisfactory reconstruction or removal and replacement with non-defective work, including, but not limited to fees and charges of engineers, architects, attorneys and other professionals and any additional expenses experienced by Owner due to delays to other Contractors performing additional work and an appropriate deductive change order shall be issued. Contractor shall further bear the responsibility for maintaining schedule and shall not be entitled to an extension of the contract time and the recovery of delay damages due to correcting or removing defective work.

- 9.3.1 If Contractor fails within seven (7) days after written notice to correct defective work, or fails to perform the work in accordance with the contract documents, or fails to comply with any other provision of the contract documents, Owner may correct and remedy any such deficiency. To the extent necessary to complete corrective and remedial action, Owner may exclude Contractor from all or part of the site, take possession of all or part of the work, Contractor's tools, construction equipment and machinery at the site or for which Owner has paid Contractor but which are stored elsewhere. All direct, indirect and costs of Owner in exercising such rights and remedies will be charged against Contractor in an amount approved as to reasonableness by Engineer and a change order will be issued incorporating the necessary revisions.
- 9.3.2 If within three years after the date of completion or such longer period of time as may be prescribed by laws or regulations or by the terms of any applicable special guarantee required by the contract documents, any work is found to be defective, Contractor shall promptly, without cost to Owner and in accordance with Owner's written instructions, either correct such defective work or if it has been rejected by Owner, remove it from the site and replace it with non-defective work. If Contractor does not promptly comply with the terms of such instruction, Owner may have the defective work corrected/removed and all direct, indirect and consequential costs of such removal and replacement will be paid by Contractor.

#### ARTICLE 10 - SUSPENSION/TERMINATION OF WORK

- 10.1 Owner may, at any time and without cause, suspend the work or any portion thereof for a period of not more than ninety (90) days by written notice to Contractor, which will fix the date on which work will be resumed. Contractor shall be allowed an increase in the contract price or an extension of the contract time, or both, directly attributable to any suspension if Contractor makes an approved claim therefore.
- 10.2 Owner may terminate the contract if Contractor commences a voluntary case under any chapter of the Bankruptcy Code or any similar action by filing a petition under any other federal or state law relating to the bankruptcy or insolvency; if a petition is filed against the Contractor under any chapter of the Bankruptcy Code or similar relief under any other federal or state law; if Contractor persistently fails to perform the work in accordance with the contract documents; if Contractor disregards laws or regulations of any public body having jurisdiction or the Engineer; or otherwise violates in any substantial way any provisions of the contract.

- 10.2.1 Owner may, after giving Contractor (and the surety, if there is one) seven (7) days written notice and to the extent permitted by laws and regulations, terminate the services of Contractor; exclude Contractor from the site and take possession of the work and of all Contractor's tools, construction equipment and machinery at the site and use the same to the full extent they could be used (without liability to Contractor for trespass or conversion); incorporate in the work all materials and equipment stored at the site or for which Owner has paid Contractor but which are stored elsewhere, and finish the work as Owner may deem expedient. In such case, Contractor shall not be entitled to receive any further payment beyond an amount equal to the value of material and equipment not incorporated in the work, but delivered and suitably stored, less the aggregate of payments previously made. If the direct and indirect costs of completing the work exceed the unpaid balance of the contract price, Contractor shall pay the difference to Owner. Such costs incurred by Owner shall be verified by Owner and incorporated in a change order; but in finishing the work, Owner shall not be required to obtain the lowest figure for the work performed. Contractor's obligations to pay the difference between such costs and such unpaid balance shall survive termination of the Agreement.
- 10.3 If, through no act or fault of Contractor, the work is suspended for a period of more than ninety (90) days by Owner or under an order of court or other public authority, or Engineer fails to act on any application or fails to pay Contractor any sum finally determined to be due; then Contractor may, upon seven (7) days written notice to Owner terminate the Agreement and recover from Owner payment for all work executed, any expense sustained plus reasonable termination expenses. In lieu of terminating the Agreement, if Engineer has failed to act on any application of payment or Owner has failed to make any payment as aforesaid, Contractor may upon seven (7) days written notice to Owner stop the work until payment of all amounts then due.

## ARTICLE 11 - CONTRACT CLAIMS

- 11.1 The rendering of a decision by Engineer with respect to any such claim, dispute or other matter (except any which have been waived by the making or acceptance of final payment) will be a condition precedent to any exercise by Owner or Contractor of such right or remedies as either may otherwise have under the contract documents or by laws or regulations in respect of any such claim, dispute or other matter. No action, either at law or at equity, shall be brought in connection with any such claim, dispute or other matter later than thirty (30) days after the date on which Owner/Engineer has rendered such written decision in respect thereof. Failure to bring an action within said thirty (30) day period shall result in Engineer's decision being final and binding on the Contractor. In no event may any such action be brought after the time at which instituting such proceedings would be otherwise barred by the applicable statute of limitations.

- 11.2 Before bringing any action in court pertaining to any claim, dispute or other matter in question(s) arising out of or relating to the contract documents or the breach thereof, or Engineer's final decision, except for claims which have been waived by the making and acceptance of final payment, the Contractor shall first submit written notice(s) of contract claims to the Purchasing Official for a decision; within the earlier of sixty (60) days after the last date on which the contractor provided any goods or services required by the contract or after the date on which the contractor knew or should have known such a claim existed. The Manatee County Code of Law section 2-26-63 Contract Claims details the requirements and process for such a claim.

#### ARTICLE 12 - RESIDENT PROJECT REPRESENTATIVE - DUTIES, RESPONSIBILITIES

- 12.1 Resident Project Representative is Engineer/Owner's Agent, who will act as directed by and under the supervision of the Engineer, and who will confer with Owner/Engineer regarding his actions. Resident Project Representative's dealing in matters pertaining to the on-site work shall, in general, be only with the Owner/Engineer and Contractor and dealings with subcontractors shall only be through or with the full knowledge of Contractor.
- 12.2 Resident Project Representative will:
- 12.2.1 Review the progress schedule, schedule of shop drawing submissions and schedule of values prepared by Contractor and consult with Owner/Engineer concerning their acceptability.
  - 12.2.2 Attend preconstruction conferences. Arrange a schedule of progress meetings and other job conferences as required in consultation with Owner/Engineer and notify those expected to attend in advance. Attend meetings and maintain and circulate copies of minutes thereof.
  - 12.2.3 Serve as Owner/Engineer's liaison with Contractor, working principally through Contractor's superintendent and assist him in understanding the intent of the contract documents. As requested by Owner/Engineer, assist in obtaining additional details or information when required at the job site for proper execution of the Work.
  - 12.2.4 Receive and record date of receipt of shop drawings and samples, receive samples which are furnished at the site by Contractor and notify Owner/Engineer of their availability for examination.
  - 12.2.5 Advise Owner/Engineer and Contractor or his superintendent immediately of the commencement of any work requiring a shop drawing or sample submission if the submission has not been approved by the Owner/Engineer.
  - 12.2.6 Conduct on-site observations of the work in progress to assist Owner/Engineer in determining if the work is proceeding in accordance with the contract documents and that completed work will conform to the contract documents.



- 12.2.7 Report to Owner/Engineer whenever he believes that any work is unsatisfactory, faulty or defective or does not conform to the contract documents, or does not meet the requirements of any inspections, tests or approvals required or if work has been damaged prior to final payment; and advise Owner/Engineer when he believes work should be corrected or rejected or should be uncovered of observation or requires special testing, inspection or approval.
- 12.2.8 Verify that tests, equipment and system start-ups and operating and maintenance instructions are conducted as required by the contract documents and in the presence of the required personnel, and that Contractor maintains adequate records thereof; observe, record and report to Engineer appropriate details relative to the test procedures and start-ups.
- 12.2.9 Accompany visiting inspectors representing public or other agencies having jurisdiction over the project; record the outcome of these inspections and report to Owner/Engineer.
- 12.2.10 Transmit to Contractor, Owner/Engineer's clarifications and interpretations of the contract documents.
- 12.2.11 Consider and evaluate Contractor's suggestions or modifications in drawings or Contract Documents and report them with recommendations to Owner/Engineer.
- 12.2.12 Maintain at the job site orderly files for correspondence, reports of job conferences, shop drawings and sample submissions, reproductions of original contract documents including all addenda, change orders, field orders, additional drawings issued subsequent to the execution of the contract, Owner/Engineer's clarifications and interpretations of the contract documents, progress reports and other project related documents.
- 12.2.13 Keep a diary or log book, recording hours on the job site, weather conditions, data relative to questions of extras or deductions; list of visiting officials and representatives or manufacturers, fabricators, suppliers and distributors; daily activities, decisions, observations in general and specific observations in more detail as in the case of observing test procedures. Send copies to Owner/Engineer.
- 12.2.14 Record names, addresses and telephone numbers of all Contractors, subcontractors and major suppliers of materials and equipment.
- 12.2.15 Furnish Owner/Engineer periodic reports as required of progress of the work and Contractor's compliance with the approved progress schedule and schedule of shop drawing submissions.
- 12.2.16 Consult with Owner/Engineer in advance of scheduling major tests, inspections or start of important phases of the work.
- 12.2.17 Report immediately the occurrence of any accident.

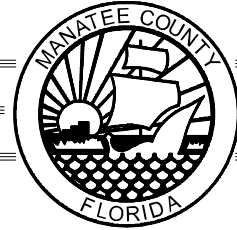
- 12.2.18 Review applications for payment with Contractor for compliance with the established procedure for their submission and forward them with recommendations to Owner/Engineer, noting particularly their relation to the schedule of values, work completed and materials and equipment delivered at the site but not incorporated in the work.
- 12.2.19 During the course of the work, verify that certificates, maintenance and operations manuals and other data required to be assembled and furnished by Contractor are applicable to the items actually installed, and deliver this material to Owner/Engineer for his review prior to final acceptance of the work.
- 12.2.20 Before Owner/Engineer issues a Certificate of Substantial Completion, submit to Contractor a list of observed items requiring completion or correction.
- 12.2.21 Conduct final inspection in the company of Owner/Engineer and Contractor and prepare a final list of items to be completed or corrected.
- 12.2.22 Verify that all items on final list have been completed or corrected and make recommendations to Owner/Engineer concerning acceptance.
- 12.3 Except upon written instructions of Owner/Engineer, Resident Project Representative.
- 12.3.1 Shall not authorize any deviation from the contract documents or approve any substitute materials or equipment;
- 12.3.2 Shall not exceed limitations on Owner/Engineer's authority as set forth in the contract documents;
- 12.3.3 Shall not undertake any of the responsibilities of Contractor, Subcontractors or Contractor's Superintendent, or expedite the work;
- 12.3.4 Shall not advise on or issue directions relative to any aspect of the means, methods, techniques, sequences or procedures of construction unless such is specifically called for in the contract documents;
- 12.3.5 Shall not advise on or issue directions as to safety precautions and programs in connection with the work;
- 12.3.6 Shall not authorize Owner to occupy the project in whole or in part; and
- 12.3.7 Shall not participate in specialized field or laboratory tests.

ARTICLE 13 - APPRENTICES

13.1 If Successful Contractor employees Apprentices, he shall be governed and comply with the provisions of Florida State Statute 446.011.

NOTE: The form of all submittals, notices, change orders and other documents permitted or required to be used or transmitted under the Contract shall be determined by the Owner. Standard County forms shall be utilized.

**END OF SECTION**



# MANATEE COUNTY, FLORIDA

## FY 2011 LIFT STATION REHABILITATION

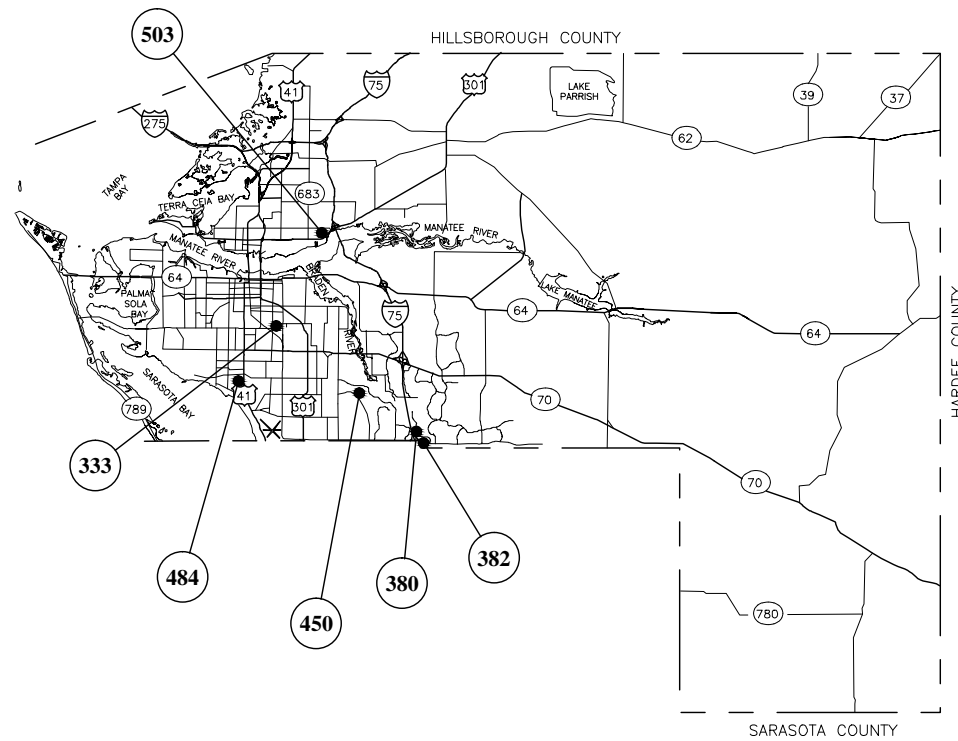
### GROUP 2

#### 402-0019707 / 5001301

MARCH 2011

**FY 2011 LIFT STATION  
REHABILITATION GROUP 2  
COVER SHEET**

L.S.NAME/NO.	RTU #	ADDRESS
18-AA	484	6322 14TH ST W
30-EE	333	3831 11TH ST E
LWR TOWN CENTER 2	380	9025 TOWN CENTER PARKWAY
LWR TOWN CENTER 3	382	6162 LAKE OSPREY DRIVE
PALM AIRE 10	450	5670 COUNTRY LAKES DR
TIDE VUE 3	503	1407 45TH AVE DR E



NO.	INDEX OF SHEETS
1.	COVER SHEET
2.	GENERAL NOTES & LEGEND
3.	VICINITY MAPS
4.	18-AA (RTU 484)
5.	30-EE (RTU 333)
6.	LWR TOWN CENTER 2 (RTU 380)
7.	LWR TOWN CENTER 3 (RTU 382)
8.	PALM AIRE 10 (RTU 450)
9.	TIDE VUE (RTU 503)
10.	DETAILS
11.	EROSION CONTROL

**PROJECT DESCRIPTION**

REHABILITATE SIX (6) SEWAGE LIFT STATIONS TO REDUCE RISK TO PUBLIC HEALTH AND ENVIRONMENTAL POLLUTION. THE WORK SHALL CONSIST OF, BUT NOT LIMITED TO, WET WELL CLEANING, THE REPLACEMENT OF DISCHARGE PIPING, FITTINGS, VALVES, SWING CHECK VALVES, GUIDE RAILS, PIPE BRACINGS, BASE ELLS, AND/OR MOUNTING PLATES. WET WELL LINER MAY NEED TO BE INSTALLED, REPAIRED OR REPLACED. SEE INDIVIDUAL PLAN SHEETS FOR SPECIFIC REHABILITATION REQUIREMENTS FOR EACH LIFT STATION.

DATE	BY	REVISION DESCRIPTION

PROJECT #	402-0019707 / 5001301
SURVEY #	-
SEC./TWN./RGE	-
SCALE	N.T.S.

	BY	DATE
SURVEYED	----	----
DESIGNED	JSS	01/2011
DRAWN	JSS	01/2011
CHECKED		

JOHN S. SHOUN, P.E.  
FLORIDA P.E. # 60923

Signature & Date

COPYRIGHT 2010 MANATEE COUNTY GOVERNMENT I:\N\PD\_Engineering\Shore\Utl\_Eng\_Design\Proj\SSAN\_SWR\_Proj\SSAN\_SWR\_Proj\SSAN\_SWR\_Proj\FY 2011 LS Rehab Group 2.dwg - Cover - 3/17/2011 2:16 PM Steve Shoun, P.E. ANSII full bleed B (11.009 x 17.009 inches)

COPYRIGHT 2010 MANATEE COUNTY GOVERNMENT | S:\VEND-Engineering-Shores\081-Eng-Design\Proj-5-SAN-Strk-Proj\SAN-Spr-Srv - LS-Update\FY 2011-LS-Update\FY 2011-LS-Update-Group 2-Genl-Draws\FY 2011-LS-Update-Group 2-Genl-Draws-Notes-3/17/2011 2:16 PM-Share-Share-1:1-ANSI-001-bases-B (11.00 x 17.00 inches)

GENERAL

- 1. ALL CONSTRUCTION ACTIVITIES SHALL BE COORDINATED WITH THE PROJECT MANAGEMENT DIVISION...
2. SITE VISITS ARE MANDATORY FOR ALL BIDDERS. THESE SITE VISITS CAN BE ARRANGED THROUGH THE PROJECT MANAGEMENT...
3. ALL CONSTRUCTION ON THIS PROJECT SHALL BE IN ACCORDANCE WITH THE LATEST EDITION OF MANATEE COUNTY UTILITY AND TRANSPORTATION STANDARDS AND/OR FDOT "STANDARD SPECIFICATIONS FOR ROAD AND BRIDGE CONSTRUCTION" UNLESS OTHERWISE INDICATED ON THE PLANS...
4. VERTICAL CONTROL FOR THIS PROJECT WAS ESTABLISHED BY A MINIMUM OF TWO REFERENCE BENCHMARKS DESCRIBED ON THE "THE NATIONAL GEODETIC VERTICAL DATUM OF 1929", (NGVD '29)...

SAFETY

- 10. THE CONTRACTOR SHALL BE RESPONSIBLE FOR COMPLIANCE WITH THE FLORIDA TRENCH SAFETY ACT, 90-96, LAWS OF FLORIDA EFFECTIVE OCTOBER 1, 1990 AND THE OCCUPATIONAL SAFETY AND HEALTH ADMINISTRATION EXCAVATION SAFETY STANDARDS, 29 CFR 1926.650, SUBPART P, AS AMENDED. THE CONTRACTOR SHALL INCLUDE IN THE TOTAL BID PRICE ALL COSTS FOR COMPLIANCE WITH THESE REGULATIONS...
11. THE CONTRACTOR SHALL USE SHEET PILING, SHEETING, BRACING, ETC., AS REQUIRED IN ALL EXCAVATION AREAS AND CONFORM TO ALL OSHA REQUIREMENTS...
12. THE CONTRACTOR SHALL USE ALL NECESSARY SAFETY PRECAUTIONS TO AVOID CONTACT WITH OVERHEAD AND UNDERGROUND UTILITIES, POWER LINES, ETC...
13. THESE DRAWINGS DO NOT INCLUDE NECESSARY COMPONENTS FOR CONSTRUCTION SAFETY. THIS EXCLUSION DOES NOT ALLEVIATE THE CONTRACTOR FOR PROVIDING A CONTINUOUS SAFE WORKSPACE.

ENVIRONMENTAL

- 14. WHEN A BENTONITE SPILL OR FRACK-OUT OCCURS OR THERE IS A LOSS OF RETURN INDICATING EXCESSIVE SEEPAGE OR LOSS OF DRILLING FLUID, DRILLING MUST BE STOPPED UNTIL THE LOCATION OF THE SPILL IS IDENTIFIED. UNDER NO CIRCUMSTANCES WILL DRILLING CONTINUE WHEN A SPILL IS APPARENT...
15. ONCE LOCATED, THE BENTONITE SPILL MUST BE ISOLATED AND SEEPAGE INTO ANY NEARBY WATER BODIES WILL BE BLOCKED DEPENDING ON THE DEGREE OF THE SPILL, THE ISOLATED BENTONITE MUST BE REMOVED MANUALLY OR MECHANICALLY AND DISPOSED OF BY APPROPRIATE MEANS OR REUSED...
16. THE CONTRACTOR SHALL PROVIDE AND INSTALL ALL NECESSARY STORM WATER, EROSION, AND SEDIMENTATION CONTROL MEASURES IN ACCORDANCE WITH THE FDEP "FLORIDA STORM WATER, EROSION AND SEDIMENTATION CONTROL INSPECTOR'S MANUAL"...
17. STOCKPILES SHALL BE PROTECTED AT ALL TIMES BY ON-SITE DRAINAGE CONTROLS WHICH PREVENT EROSION OF THE STOCKPILED MATERIAL. CONTROL OF DUST FROM SUCH STOCKPILES IS REQUIRED, DEPENDING UPON THEIR LOCATION AND THE EXPECTED LENGTH OF TIME THE STOCKPILES WILL BE PRESENT...
18. STORM WATER INLETS IN THE VICINITY OF THE PROJECT SHALL BE PROTECTED BY SEDIMENT TRAPS SUCH AS SECURED HAY BALES, SOD, STONE, ETC., WHICH SHALL BE MAINTAINED AND MODIFIED AS REQUIRED BY CONSTRUCTION PROGRESS...

UTILITIES

- 32. LOCATIONS, ELEVATIONS AND DIMENSIONS OF EXISTING UTILITIES, STRUCTURES AND OTHER FEATURES ARE SHOWN TO THE BEST INFORMATION AVAILABLE AT THE TIME OF PREPARATION OF THESE PLANS BUT DO NOT PURPORT TO BE ABSOLUTELY CORRECT. THERE MAY BE OTHER IMPROVEMENTS, UTILITIES, ETC. WHICH ARE WITHIN THE PROJECT AREA AND WHICH HAVE NOT BEEN LOCATED OR IDENTIFIED, MAY NOT BE IN THE EXACT LOCATION SHOWN OR RELOCATED SINCE THE PREPARATION OF THESE PLANS...
33. THE CONTRACTOR SHALL PROTECT ALL EXISTING STRUCTURES, WATER AND SEWER LINES, STORM DRAINS, UTILITIES, DRIVEWAYS, SIDEWALKS, SIGNS, MAIL BOXES, FENCES, TREES, LANDSCAPING, AND ANY OTHER IMPROVEMENT OR FACILITY IN THE CONSTRUCTION AREA...
34. THE CONTRACTOR SHALL USE APPROPRIATE TECHNIQUES, AS APPROVED, RECOMMENDED OR OFFERED BY FLORIDA POWER AND LIGHT TO PREVENT UNDERMINING OF POWER POLES DURING CONSTRUCTION...
35. ANY TEMPORARY SHUTDOWNS FOR MODIFICATIONS OF EXISTING UTILITY SYSTEMS THAT MUST REMAIN IN SERVICE DURING CONSTRUCTIONS SHALL BE KEPT TO A MINIMUM AND SHALL BE COORDINATED WITH AND APPROVED BY THE MANATEE COUNTY UTILITY OPERATIONS DEPARTMENT...

RESTORATION

- 37. ALL RESTORATION WORK PERFORMED THROUGHOUT THE PROJECT SHALL CONFORM TO EXISTING LINES AND GRADES UNLESS SHOWN OTHERWISE...
38. ALL DISTURBED GRASSED AREAS SHALL BE SODDED OR SEEDED UNLESS OTHERWISE INDICATED. THE TYPE OF SOD USED TO REPLACE OWNER MAINTAINED AREAS IN RIGHT-OF-WAY SHALL BE COORDINATED WITH THE PROPERTY OWNER...
39. ALL CONCRETE THRUST BLOCKS INSTALLED FOR TESTING PURPOSES AND NOT REQUIRED FOR THE OPERATION OF THE PIPELINE SHALL BE REMOVED AND DISPOSED OF BY THE CONTRACTOR, PRIOR TO FINAL ACCEPTANCE...
40. ASPHALT DRIVES THAT ARE CUT SHALL BE RESTORED PER SECTION 02513...
41. CONCRETE DRIVEWAYS OR SIDEWALKS THAT ARE CUT SHALL BE RESTORED TO MATCH EXISTING ACCORDING TO THE CURRENT EDITIONS OF THE F.D.O.T. SPECIFICATIONS FOR ROAD AND BRIDGE DESIGN, SECTION 522, AND SECTION 310 OF THE F.D.O.T. DESIGN STANDARDS...
42. WHENEVER A PERMANENT ROADWAY SURFACE IS NOT PLACED IMMEDIATELY AFTER BACKFILLING AND COMPACTION OF THE NEWLY INSTALLED PIPE LINE IN AREAS WHERE TRAFFIC MUST PASS, THE CONTRACTOR SHALL INSTALL A TEMPORARY SURFACE CONSISTING OF NINE INCHES OF COMPACTED LIME ROCK BASE AND A COAT OF ASPHALT EMULSION...

CONSTRUCTION

- 44. THE EXHAUST SYSTEM OF ALL GASOLINE AND DIESEL ENGINES SHALL BE EQUIPPED WITH MUFFLERS THAT MEET THE EQUIPMENT MANUFACTURER'S REQUIREMENTS FOR NOISE SUPPRESSION...
45. NO MATERIAL SHALL BE STOCKPILED IN ROADWAYS. ALL DIRT AND DEBRIS SHALL BE REMOVED FROM THE JOB SITE DAILY. ROADS SHALL BE SWEEP DAILY AS PART OF DAILY CLEAN UP...
46. THE CONTRACTOR IS TO CONTROL ALL FUGITIVE DUST ORIGINATING ON THIS PROJECT BY WATERING OR OTHER METHODS AS REQUIRED...
47. INGRESS AND EGRESS TO ALL THE PROPERTIES IN THE CONSTRUCTION AREA SHALL BE MAINTAINED AT ALL TIMES...
48. PRIOR APPROVAL WILL BE REQUIRED FOR REMOVAL OF ANY TREE WITHIN THE CONSTRUCTION AREA...
49. THE CONTRACTOR SHALL PROVIDE ALL DEWATERING EQUIPMENT NECESSARY TO KEEP ALL EXCAVATIONS DRY...
50. ALL PIPING AND FITTINGS USED ON THIS PROJECT SHALL BE AS NOTED ON THE PLANS AND IN THE CONTRACT DOCUMENT AND SHALL BE INSTALLED TO THE LINES AND GRADES SHOWN ON THE PLANS AND PROFILES...
51. ALL PIPE SHALL BE COLOR CODED TO CONFORM TO MANATEE COUNTY STANDARDS...
52. ALL PIPE AND FITTINGS SHALL BE INSTALLED AS RECOMMENDED BY THE MANUFACTURER AND ALL PIPE JOINTS SHALL BE RESTRAINED WHERE REQUIRED...
53. ALL FITTINGS FOR PRESSURE CLASS-RATED PIPE SHALL BE RESTRAINED DUCTILE IRON...
54. WHERE IT IS NECESSARY TO DEFLECT PIPE EITHER HORIZONTALLY OR VERTICALLY, PIPE DEFLECTION SHALL NOT EXCEED 75% OF THE MANUFACTURER'S MAXIMUM ALLOWABLE RECOMMENDED DEFLECTION...
55. ALL PIPE LENGTHS ARE PLUS OR MINUS AND MAY BE ADJUSTED IN THE FIELD AS REQUIRED...
56. ALL ROCKS OR STONES LARGER THAN SIX INCH DIAMETER SHALL BE REMOVED FROM THE BACKFILL MATERIAL...
57. ONLY MANATEE COUNTY UTILITY OPERATIONS STAFF ARE AUTHORIZED TO OPERATE VALVES ON COUNTY OWNED AND MAINTAINED UTILITY SYSTEMS...
58. ALL PENETRATION OF EXISTING STRUCTURES SHALL BE BY THE MECHANICAL ROTARY CORE BORING METHOD...
59. ALL CONCRETE PENETRATED OR DISTURBED SHALL BE COATED WITH TWO COATS OF EPOXY...
60. THE CONTRACTOR, PRIOR TO ANY TEMPORARY WATER SHUT-OFFS DURING WATER MAIN TIE-IN, ETC., SHALL NOTIFY THE AFFECTED RESIDENTS BY POSTING INFORMATIONAL SIGNS IN THE NEIGHBORHOOD AT LEAST TWO DAYS (48 HRS) PRIOR TO THE WATER SHUT-OFF...
61. ALL NEW PIPE LINES SHALL BE PIG CLEANED (4" AND LARGER), FLUSHED, PRESSURE TESTED, DISINFECTED AND CERTIFIED PRIOR TO TIE-INS TO EXISTING FACILITIES...
62. ALL TEST POINT PIPING SHALL BE CUT LOOSE FROM THE CORPORATION STOP AND COMPLETELY REMOVED AND DISPOSED OF BY THE CONTRACTOR PRIOR TO FINAL ACCEPTANCE...
63. ALL EXISTING MAINS THAT ARE BEING REPLACED SHALL BE ABANDONED IN PLACE UPON ACCEPTANCE AND ACTIVATION OF THE NEW MAINS...
64. WATER MAINS CROSSING OVER OR UNDER SANITARY SEWERS, FORCE MAINS, AND RECLAIMED WATER LINES SHALL BE LAID PER CURRENT EDITION OF "10 STATE STANDARDS" AND MANATEE COUNTY UTILITY STANDARDS UNLESS NOTED OTHERWISE ON THE PLANS...
65. FIELD CONDITIONS MAY NECESSITATE MINOR ALIGNMENT AND GRADE DEVIATION OF THE PROPOSED UTILITIES TO AVOID OBSTACLES...

AS ORDERED BY THE ENGINEER.

- 66. CONTRACTOR SHALL PROVIDE RECORD DRAWINGS IN ACCORDANCE WITH SECTION 14 IN THE CURRENT MANATEE COUNTY UTILITY STANDARDS AT NO COST TO THE OWNER. RECORD DRAWINGS SHALL BE SIGNED & SEALED BY A SURVEYOR CURRENTLY LICENSED BY THE STATE OF FLORIDA. ALL RECORD DRAWING INFORMATION REQUIREMENTS IN SECTION 14 SHALL BE STRICTLY ENFORCED. A COPY OF SECTION 14 WILL BE PROVIDED UPON REQUEST.

EMERGENCY CONTACTS

- MANATEE COUNTY PUBLIC WORKS DEPT. WAYNE TROXLER, P.E. 1022 26TH AVENUE EAST BRADENTON, FL 34208 (941) 708-7450 EXT. 7650 FAX: (941) 708-7415
TECO/PEOPLES GAS CO. DAN SHANAHAN 8261 VICO COURT SARASOTA, FL 34240 (941) 342-4030 FAX: (941) 342-4011 EMERGENCY: 1-877-832-6911
VERIZON FLORIDA INC. JOHN PLOTT 1701 RINGLING BLVD. SARASOTA, FL 34236 (941) 906-6707 FAX: (941) 906-6706 John.Plott@verizon.com
FLORIDA POWER & LIGHT GREG COKER 1253 12TH AVENUE EAST PALMETTO, FL 34221 (941) 723-4430 FAX: (941) 723-4444 EMERGENCY: 1-800-4-OUTAGE Greg.Coker@fpl.com
MANATEE COUNTY HEALTH DEPT. HARRY MESSICK 410 8th AVENUE EAST BRADENTON, FL 34208 (941) 748-0747 EXT. 1355 FAX: (941) 750-9364
SOUTHWEST FLORIDA WATER MANAGEMENT DISTRICT SARASOTA SERVICE OFFICE DARYL R. FLATT, P.E. 6750 FRUITVILLE ROAD SARASOTA, FL 34240 (941) 377-3722 FAX: (941) 373-7660
FLORIDA GAS TRANSMISSION CHAD HARRRELL 7804 ANDERSON RD. TAMPA FL 33634 PHONE: (813) 466-3327 E-mail: chad.harrrell@ug.com
DEPARTMENT OF ENVIRONMENTAL PROTECTION STEPHANIE BARIOS 13051 N. TELECOM PKWY TEMPLE TERRACE, FL 33637 PHONE: (813) 632-7600, EXT. 408 FAX: (813) 632-7662
BRIGHT HOUSE NETWORKS TOM WRIGHT 5413 E. STATE ROAD 64 BRADENTON, FL 34208-5535 (941) 748-3816 EXT. 21348 Tom.Wright@mybrighthouse.com
SUNSHINE STATE ONE CALL OF FLORIDA 1-(800) 432-4770
PEACE RIVER ELECTRIC COOPERATIVE, INC. P.O. BOX 1310 WACHULA, FL 33873 KENDELL COKER (863) 767-4660 kendell.coker@preco.coop
MANATEE COUNTY PUBLIC WORKS DEPT. AUTOMATED TRAFFIC MANAGEMENT SYSTEM BOB AGRUSA 2101 47TH TERRACE EAST BRADENTON, FL 34203 (941) 749-3500 X 7812 bob.agrusa@mymanatee.org

LEGEND

Table with columns: EXISTING, LEGEND, ABBREVIATIONS. Lists various symbols and line styles for utilities, structures, and features like bench marks, concrete monuments, pipes, manholes, and easements.



FY 2011 LIFT STATION REHABILITATION GROUP 2 GENERAL NOTES & LEGEND

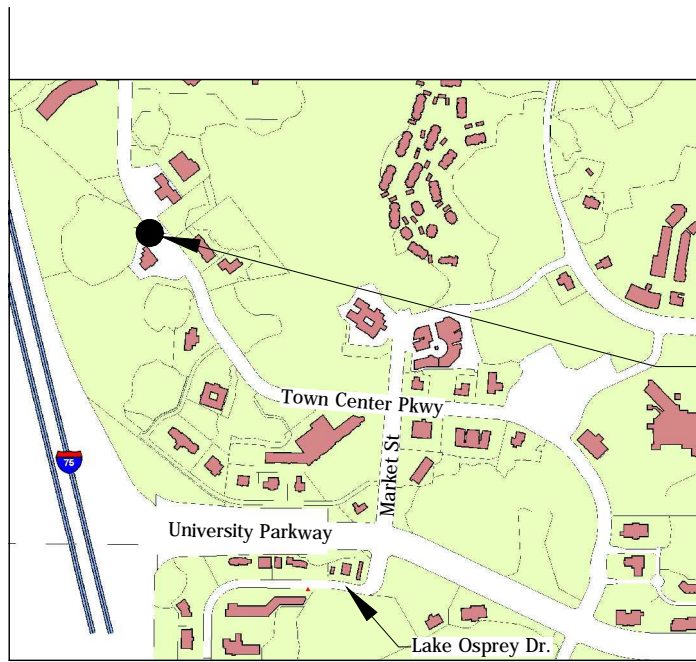
Table with columns: DATE, BY, REVISION DESCRIPTION, NO., PROJECT #, SURVEY #, SEC./TWN./RGE, SCALE, BY, DATE, DESIGNED, DRAWN, CHECKED, and Signature & Date. Includes project details like Project # 402-0019707 / 5001301 and signature of John S. Shoun, P.E.

PROPOSED PROJECT NOTES JOB SPECIFIC (EXAMPLE): WATER LINE CALL-OUT (TYPICAL) STA. 40+60, 17' LT. 1-6" GATE VALVE 1-6" FITTING

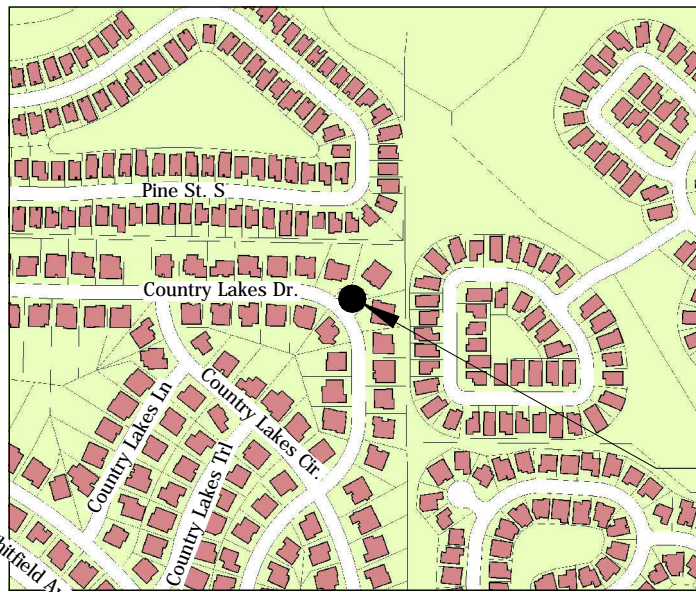
COPYRIGHT 2010 MANATEE COUNTY GOVERNMENT (S:\P\PD\_Engineering\_Shores\Util\_Eng\_Design\_Proj\San\_Swr\_Ls\_Update\FY\_2011\_Ls\_Rehab\_Group\_2.dwg) 3-10-11 2:16 PM Shee Shoun, T1, ANS full sheet B (11.00 x 17.00 inches)



L.S. 18-AA, RTU 484, 6322 14TH ST. W.



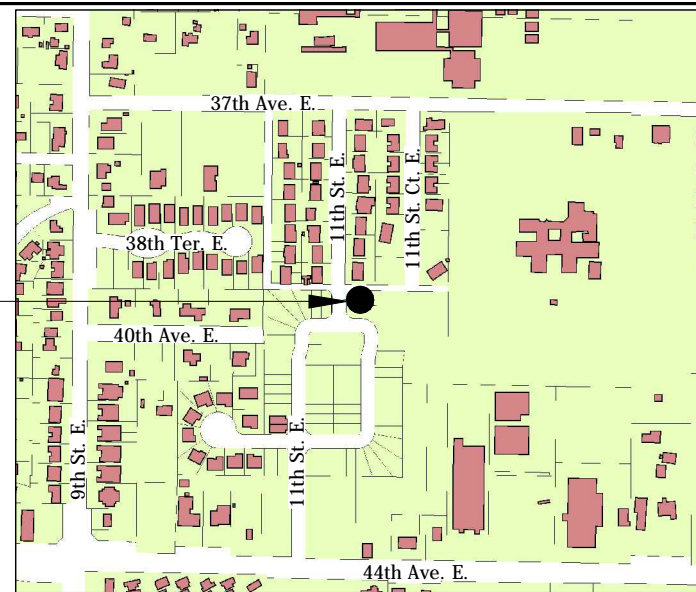
L.S. LWR TOWN CENTER 2, RTU 380, 9025 TOWN CENTER PKWY



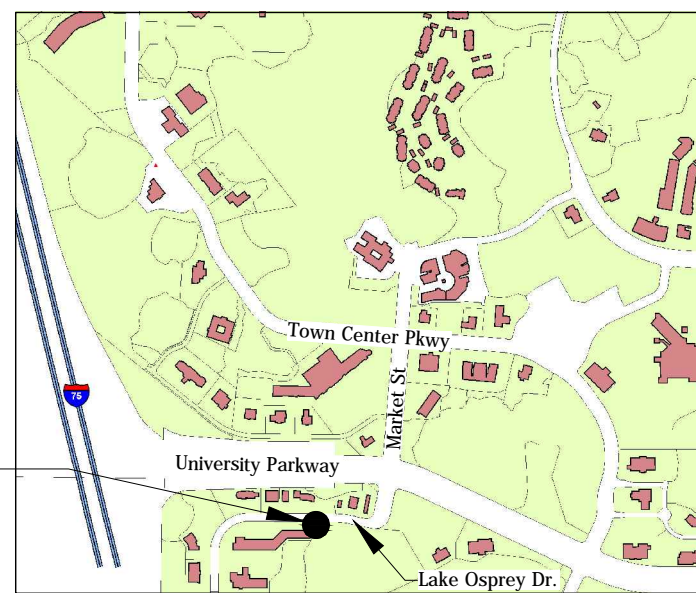
L.S. PALM AIRE 10, RTU 450, 5670 COUNTRY LAKES DR.

NOTE(S):

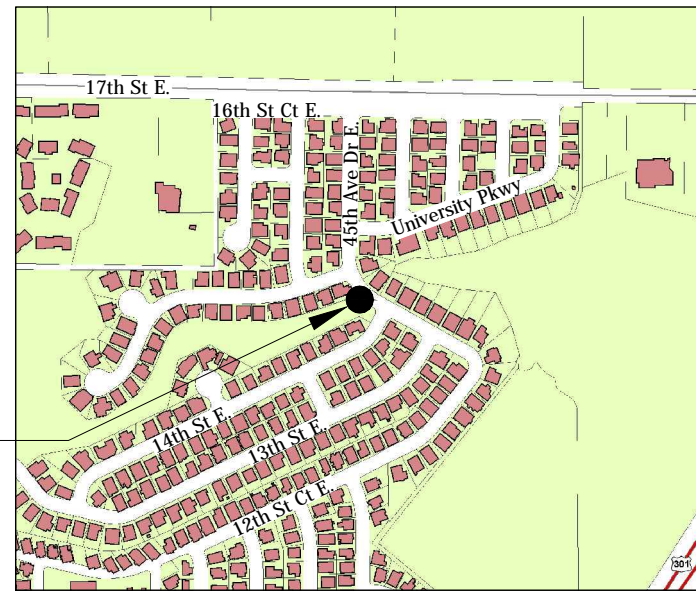
- LIFT STATION SITE VISITS MAY BE COORDINATED WITH JIM MARBLE, 941-755-1853 x5277.



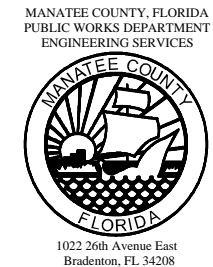
L.S. 30-EE, RTU 333, 3831 11TH ST. E.



L.S. LWR TOWN CENTER 3, RTU 382, 6162 LAKE OSPREY DR.



L.S. TIDE VUE 3, RTU 503, 1407 45 AVE. DR. E.



**FY 2011 LIFT STATION  
REHABILITATION GROUP 2  
VICINITY MAPS**

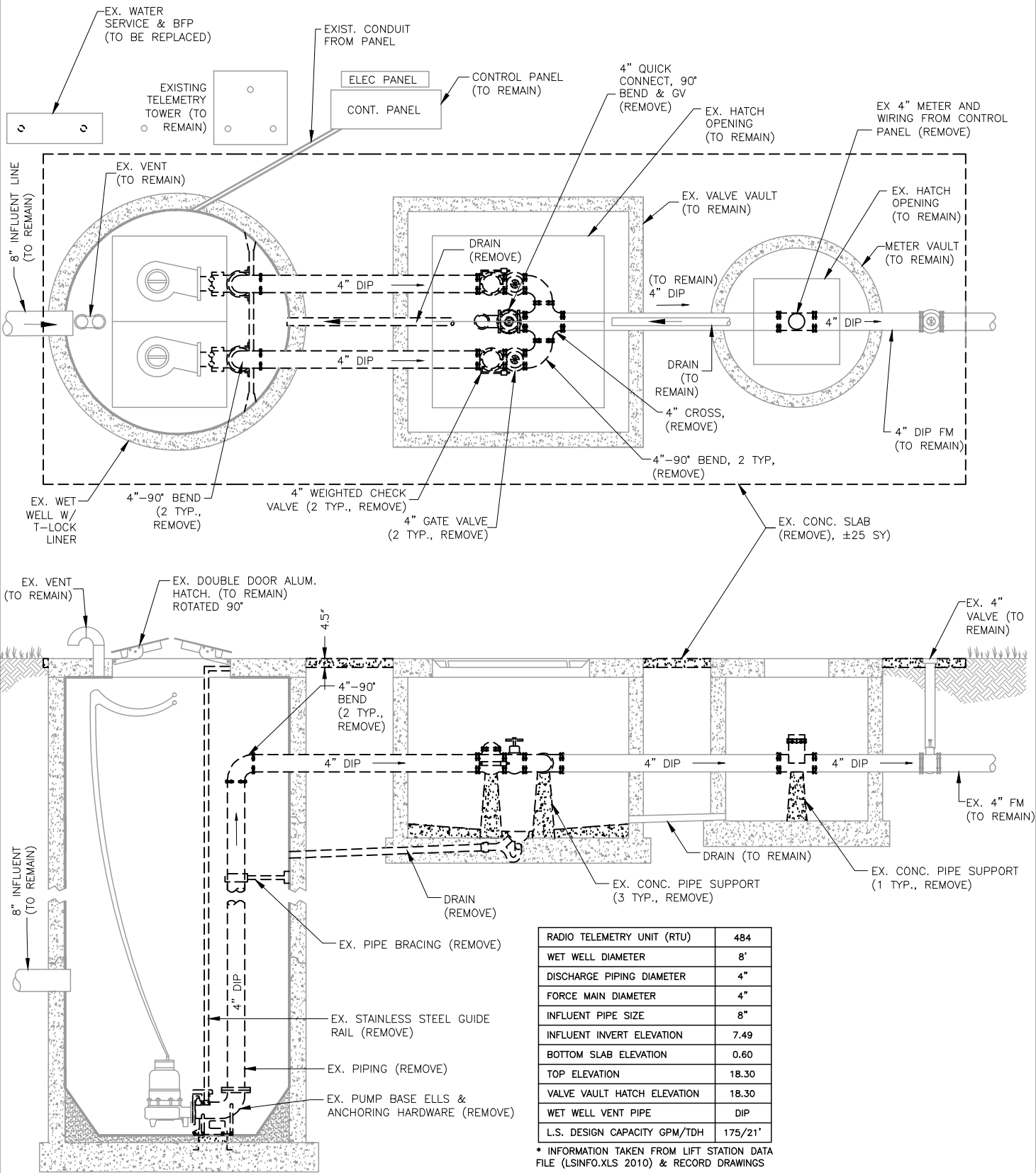
NO.	REVISION DESCRIPTION	BY	DATE
PROJECT #	402-0019707 / 5001301		
SURVEY #	-		
SEC./TWN./RGE	-		
SCALE	N.T.S.		
		BY	DATE
SURVEYED	----		
DESIGNED	JSS	01/2011	
DRAWN	JSS	01/2011	
CHECKED			
JOHN S. SHOUN, P.E. FLORIDA P.E. # 60923			
Signature & Date			

# EXISTING

## NOTES:

1. THE WET WELL AND VALVE VAULT CONFIGURATION SHOWN ON THESE GRAPHICS IS FOR IDENTIFICATION OF COMPONENTS TO BE REMOVED. THE CONTRACTOR SHALL FIELD VERIFY ALL EXISTING CONDITIONS, ELEVATIONS, CONFIGURATION, ETC. FOR ACCURACY.
2. THE CONTRACTOR/BIDDER SHALL FIELD VERIFY ALL EXISTING CONDITIONS AND DIMENSIONS.
3. THE CONTRACTOR/BIDDER SHALL DETERMINE THE DISCHARGE PIPING ELEVATIONS DURING THE SITE VISITS.
4. REMOVAL AND REINSTALLATION OF THE PUMPS DURING THE REHABILITATION SHALL BE DONE BY MANATEE COUNTY PERSONNEL IN COORDINATION WITH THE CONTRACTOR.

5. BY-PASS PUMPING IS THE RESPONSIBILITY OF THE CONTRACTOR.
6. MANATEE COUNTY GOVERNMENT WILL PROVIDE ONE (1) LIFT STATION SHUT-DOWN AT NO COST TO THE CONTRACTOR. ADDITIONAL SHUT-DOWNS WILL COST THE CONTRACTOR \$3,500 EACH, IF NEEDED.
7. THE CONTRACTOR IS RESPONSIBLE FOR RESTORING ANY DAMAGED LANDSCAPING TO EXISTING OR DESIGN CONDITIONS.
8. THE WORK AREA IS LIMITED TO THE LIFT STATION SITE.



RADIO TELEMETRY UNIT (RTU)	484
WET WELL DIAMETER	8'
DISCHARGE PIPING DIAMETER	4"
FORCE MAIN DIAMETER	4"
INFLUENT PIPE SIZE	8"
INFLUENT INVERT ELEVATION	7.49
BOTTOM SLAB ELEVATION	0.60
TOP ELEVATION	18.30
VALVE VAULT HATCH ELEVATION	18.30
WET WELL VENT PIPE	DIP
L.S. DESIGN CAPACITY GPM/TD	175/21'

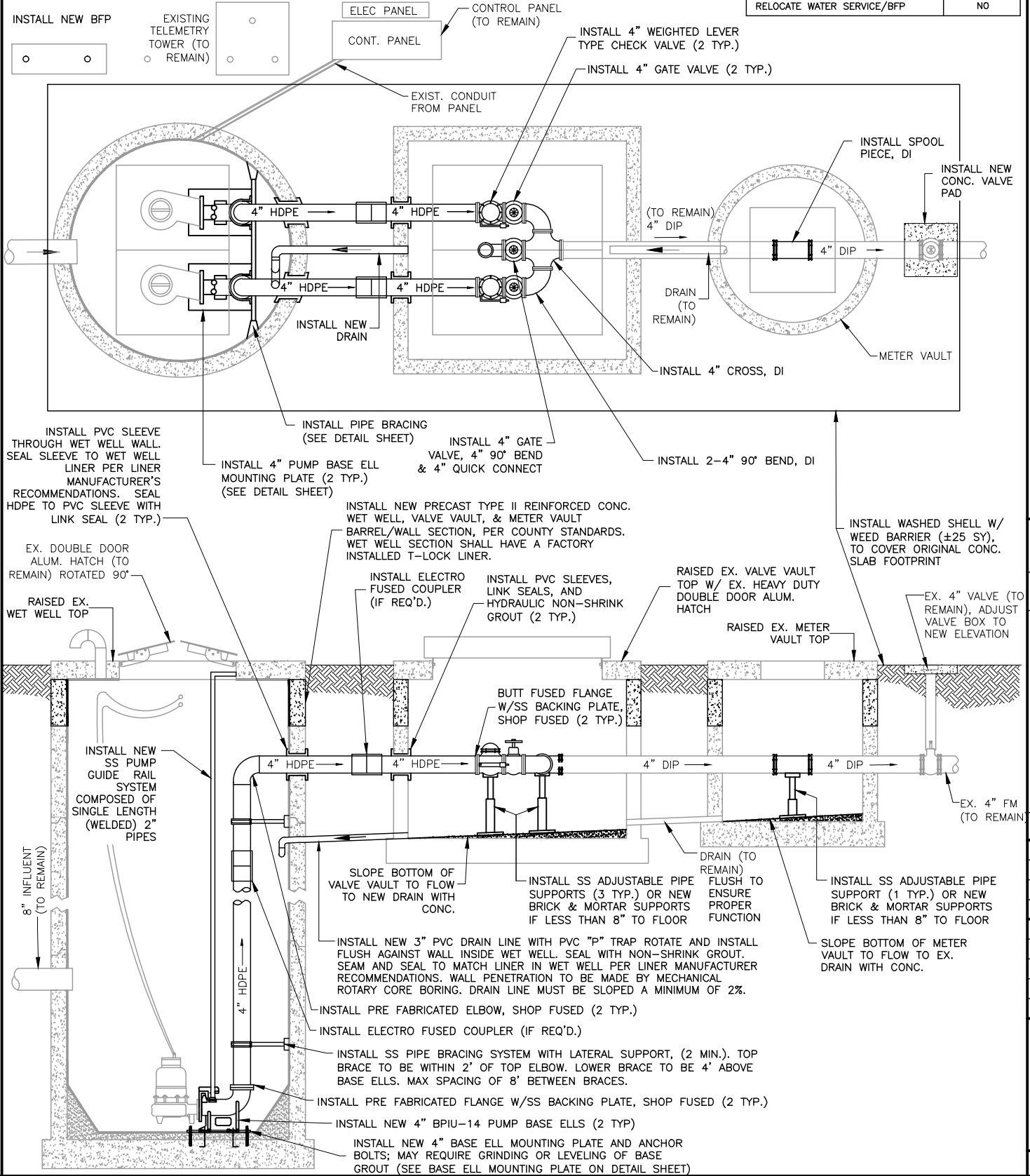
\* INFORMATION TAKEN FROM LIFT STATION DATA FILE (LSINFO.XLS 2010) & RECORD DRAWINGS

# PROPOSED

## NOTES:

1. CONTRACTOR SHALL NOT BACKFILL OVER ELECTROFUSED COUPLINGS UNTIL INSPECTOR HAS VISUALLY CHECKED IT FOR LEAKS DURING PUMP STARTUP OR PRESSURE TEST AS DIRECTED BY THE ENGINEER.
2. ALL MATERIALS AND INSTALLATION SHALL BE IN ACCORDANCE WITH THE LATEST MANATEE COUNTY PUBLIC WORKS UTILITY STANDARDS.
3. WET WELL, VALVE VAULT, & METER VAULT RIMS TO BE RAISED 8 INCHES.
4. SEAMS BETWEEN THE EX. T-LOCK LINER AND NEW BARREL SECTION T-LOCK LINER SHALL BE SEALED PER THE LINER MANUFACTURER'S RECOMMENDATIONS.

INSTALL FIBERGLASS W.W. LINER	NO
APPLY SPRAY LINER W.W. LINER	NO
INSTALL STILLING WELL	NO
INSTALL P.V. OUTSIDE OF METER BOX	NO
NEW HDPE PIPING IN W.W.	YES, 4"
NEW BASE ELL	4" BPIU-14
RAISE TOP OF WET WELL:	YES
RAISE TOP OF VALVE & METER VAULT:	YES
REPLACE WET WELL VENT PIPE	NO
UPGRADE BFP TO STANDARD, (US-15)	YES
RELOCATE WATER SERVICE/BFP	NO



MANATEE COUNTY, FLORIDA  
PUBLIC WORKS DEPARTMENT  
ENGINEERING SERVICES



1022 26th Avenue East  
Bradenton, FL 34208

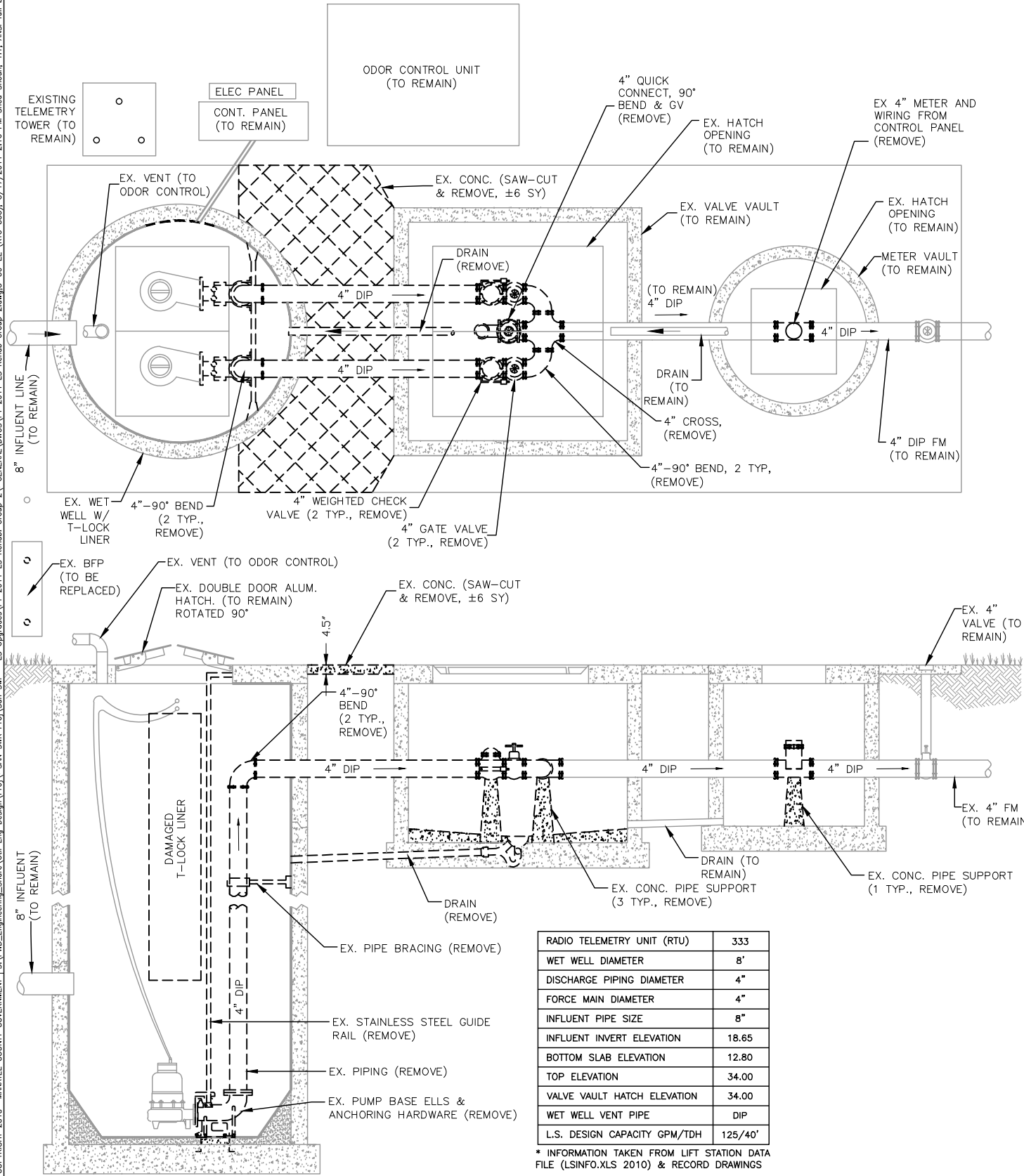
# FY 2011 LIFT STATION REHABILITATION GROUP 2 LS 18-AA, (RTU 484)

DATE				
BY				
REVISION DESCRIPTION				
NO.				
PROJECT #	402-0019707 / 5001301			
SURVEY #	-			
SEC./TWN./RGE	22&23/35/17			
SCALE	N.T.S.			
	BY	DATE		
SURVEYED	JSS	01/2011		
DESIGNED	JSS	01/2011		
DRAWN	JSS	01/2011		
CHECKED				
JOHN S. SHOUN, P.E. FLORIDA P.E. # 60923				
Signature & Date				

# EXISTING

### NOTES:

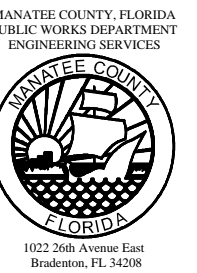
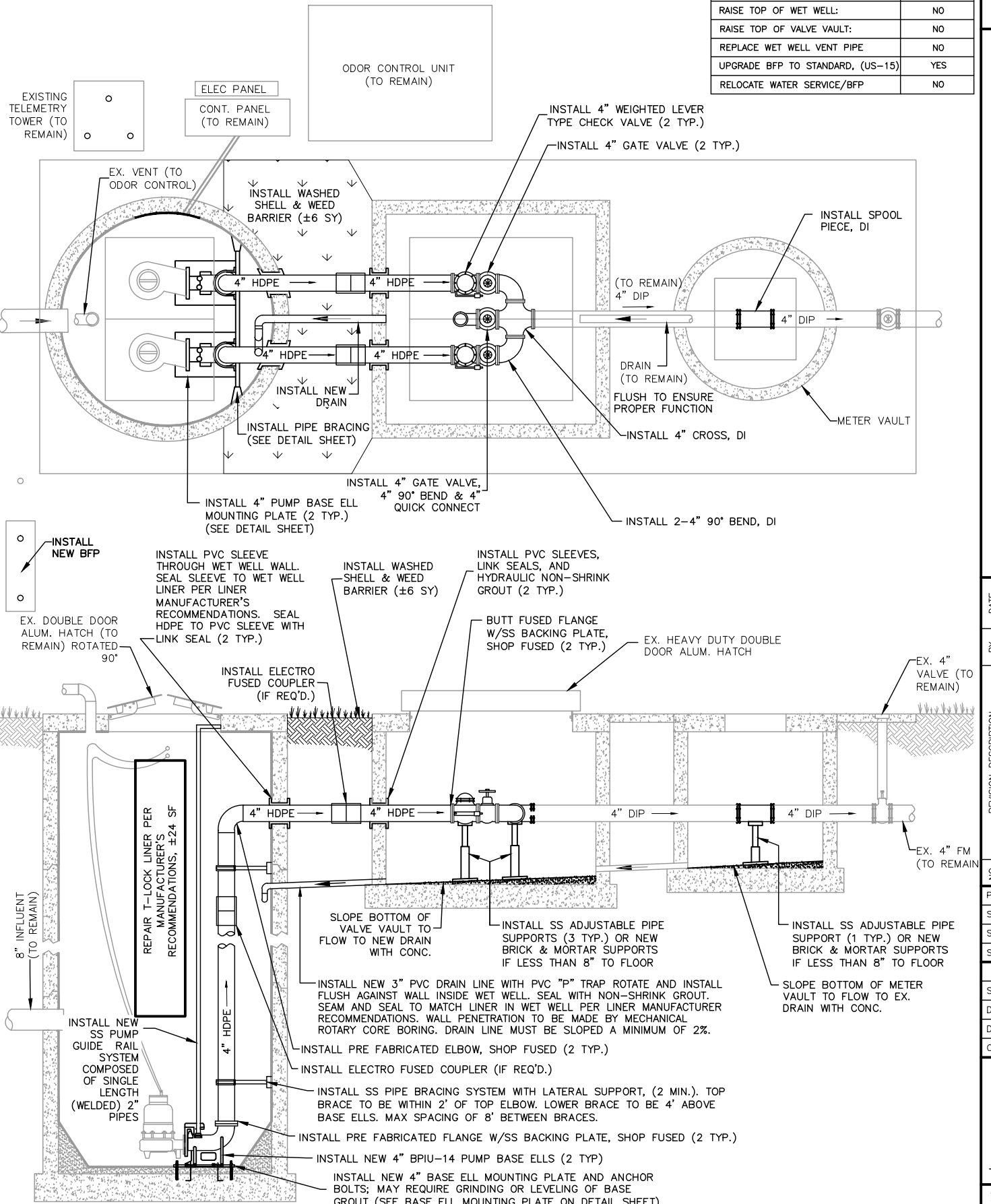
- THE WET WELL AND VALVE VAULT CONFIGURATION SHOWN ON THESE GRAPHICS IS FOR IDENTIFICATION OF COMPONENTS TO BE REMOVED. THE CONTRACTOR SHALL FIELD VERIFY ALL EXISTING CONDITIONS, ELEVATIONS, CONFIGURATION, ETC. FOR ACCURACY.
- THE CONTRACTOR/BIDDER SHALL FIELD VERIFY ALL EXISTING CONDITIONS AND DIMENSIONS.
- THE CONTRACTOR/BIDDER SHALL DETERMINE THE DISCHARGE PIPING ELEVATIONS DURING THE SITE VISITS.
- REMOVAL AND REINSTALLATION OF THE PUMPS DURING THE REHABILITATION SHALL BE DONE BY MANATEE COUNTY PERSONNEL IN COORDINATION WITH THE CONTRACTOR.
- BY-PASS PUMPING IS THE RESPONSIBILITY OF THE CONTRACTOR.
- MANATEE COUNTY GOVERNMENT WILL PROVIDE ONE (1) LIFT STATION SHUT-DOWN AT NO COST TO THE CONTRACTOR. ADDITIONAL SHUT-DOWNS WILL COST THE CONTRACTOR \$3,500 EACH, IF NEEDED.
- THE CONTRACTOR IS RESPONSIBLE FOR RESTORING ANY DAMAGED LANDSCAPING TO EXISTING OR DESIGN CONDITIONS.
- THE WORK AREA IS LIMITED TO THE LIFT STATION SITE.



# PROPOSED

### NOTES:

- CONTRACTOR SHALL NOT BACKFILL OVER ELECTROFUSED COUPLINGS UNTIL INSPECTOR HAS VISUALLY CHECKED IT FOR LEAKS DURING PUMP STARTUP OR PRESSURE TEST AS DIRECTED BY THE ENGINEER.
- ALL MATERIALS AND INSTALLATION SHALL BE IN ACCORDANCE WITH THE LATEST MANATEE COUNTY PUBLIC WORKS UTILITY STANDARDS.



## FY 2011 LIFT STATION REHABILITATION GROUP 2 LS 30-EE, (RTU 333)

NO.	DATE	BY	REVISION DESCRIPTION

PROJECT #	402-0019707 / 5001301
SURVEY #	-
SEC./TWN./RGE	01/35/17
SCALE	N.T.S.
BY	DATE
SURVEYED	----
DESIGNED	JSS 01/2011
DRAWN	CAB 01/2011
CHECKED	

JOHN S. SHOUN, P.E.  
FLORIDA P.E. # 60923

Signature & Date



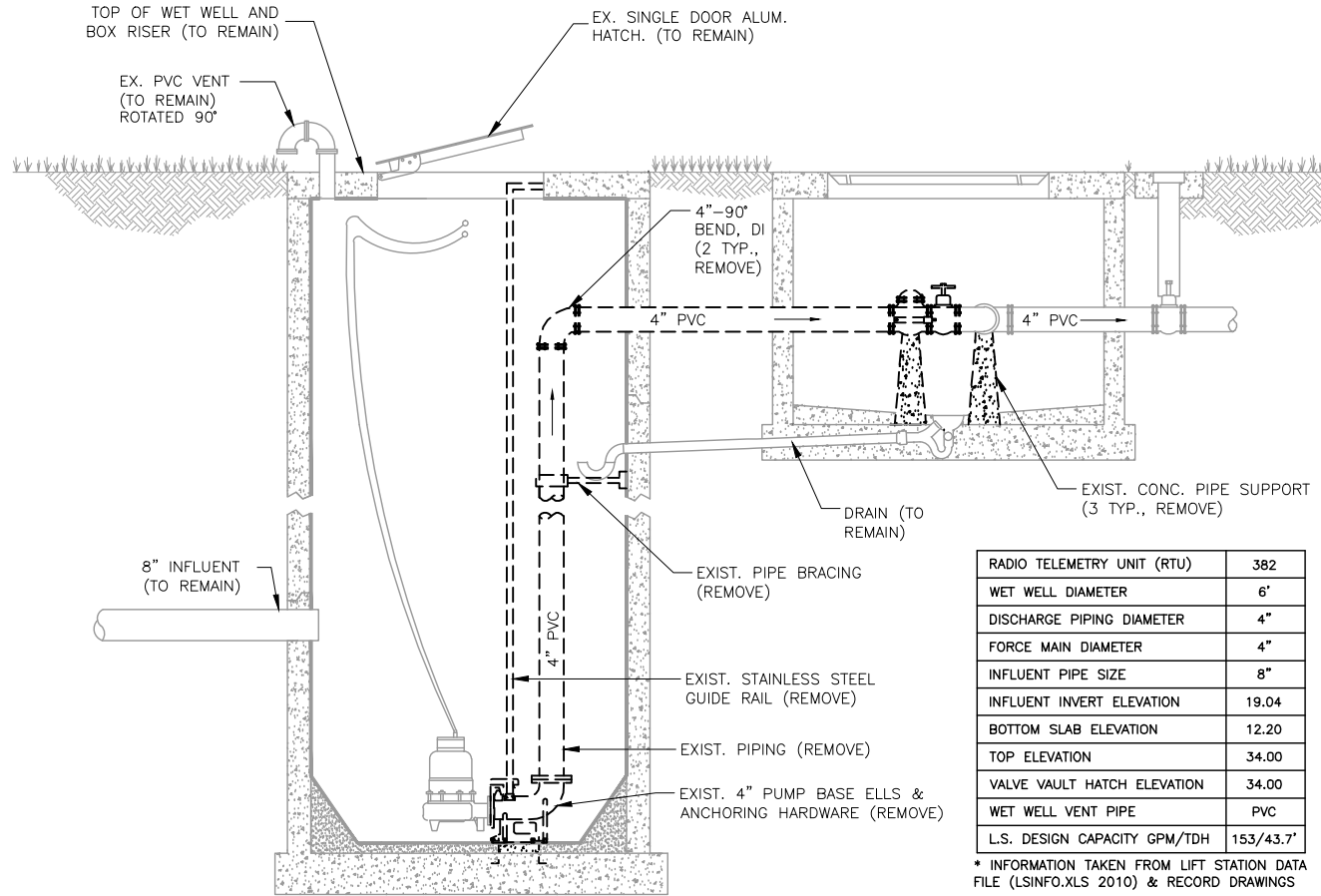
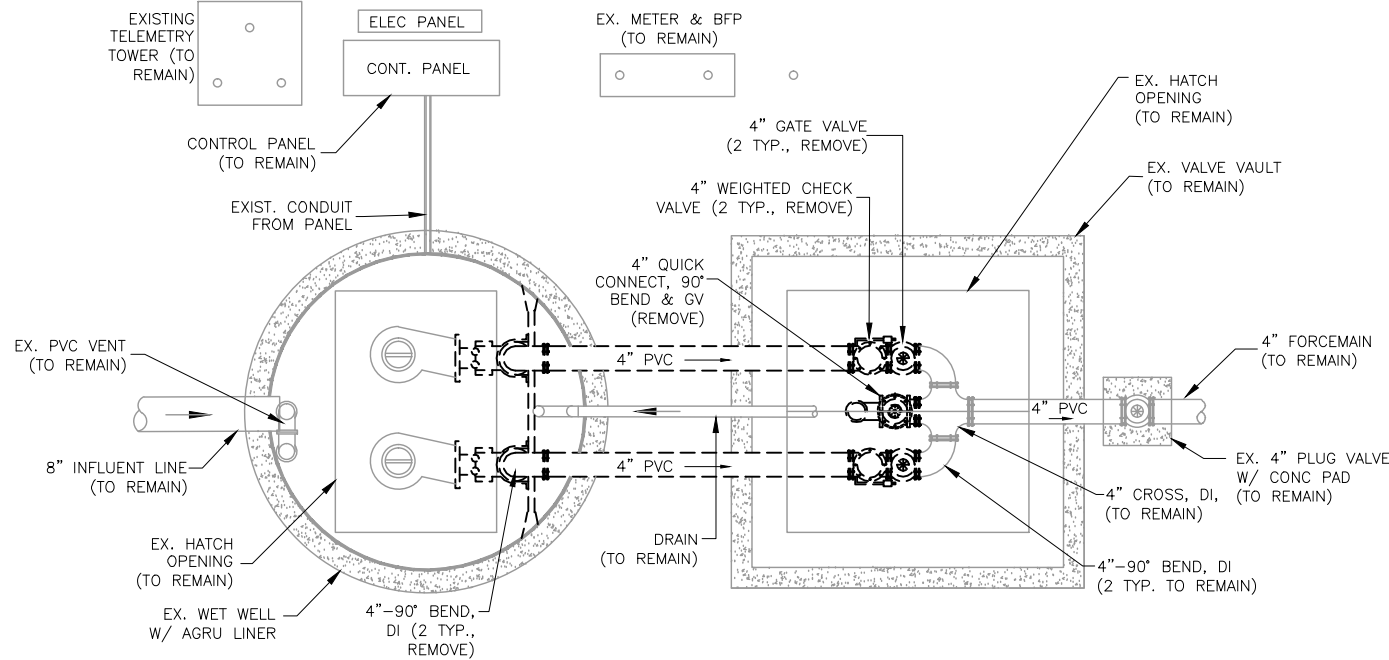


# EXISTING

## NOTES:

1. THE WET WELL AND VALVE VAULT CONFIGURATION SHOWN ON THESE GRAPHICS IS FOR IDENTIFICATION OF COMPONENTS TO BE REMOVED. THE CONTRACTOR SHALL FIELD VERIFY ALL EXISTING CONDITIONS, ELEVATIONS, CONFIGURATION, ETC. FOR ACCURACY.
2. THE CONTRACTOR/BIDDER SHALL FIELD VERIFY ALL EXISTING CONDITIONS AND DIMENSIONS.
3. THE CONTRACTOR/BIDDER SHALL DETERMINE THE DISCHARGE PIPING ELEVATIONS DURING THE SITE VISITS.
4. REMOVAL AND REINSTALLATION OF THE PUMPS DURING THE REHABILITATION SHALL BE DONE BY MANATEE COUNTY PERSONNEL IN COORDINATION WITH THE CONTRACTOR

5. BY-PASS PUMPING IS THE RESPONSIBILITY OF THE CONTRACTOR.
6. MANATEE COUNTY GOVERNMENT WILL PROVIDE ONE (1) LIFT STATION SHUT-DOWN AT NO COST TO THE CONTRACTOR. ADDITIONAL SHUT-DOWNS WILL COST THE CONTRACTOR \$3,500 EACH, IF NEEDED.
7. THE CONTRACTOR IS RESPONSIBLE FOR RESTORING ANY DAMAGED LANDSCAPING TO EXISTING OR DESIGN CONDITIONS.
8. THE WORK AREA IS LIMITED TO THE LIFT STATION SITE.



RADIO TELEMETRY UNIT (RTU)	382
WET WELL DIAMETER	6'
DISCHARGE PIPING DIAMETER	4"
FORCE MAIN DIAMETER	4"
INFLUENT PIPE SIZE	8"
INFLUENT INVERT ELEVATION	19.04
BOTTOM SLAB ELEVATION	12.20
TOP ELEVATION	34.00
VALVE VAULT HATCH ELEVATION	34.00
WET WELL VENT PIPE	PVC
L.S. DESIGN CAPACITY GPM/TDH	153/43.7'

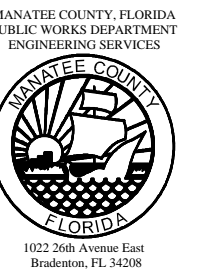
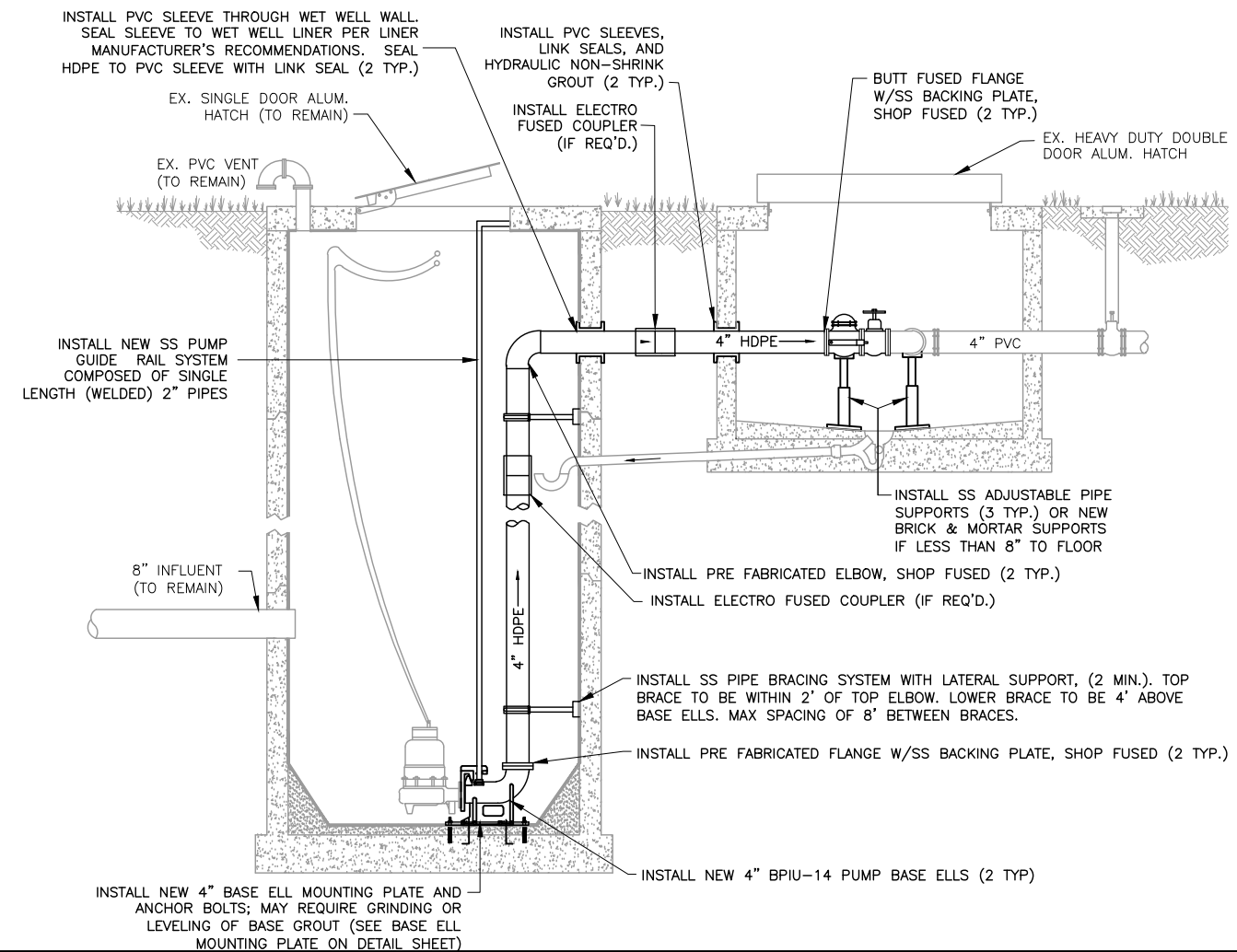
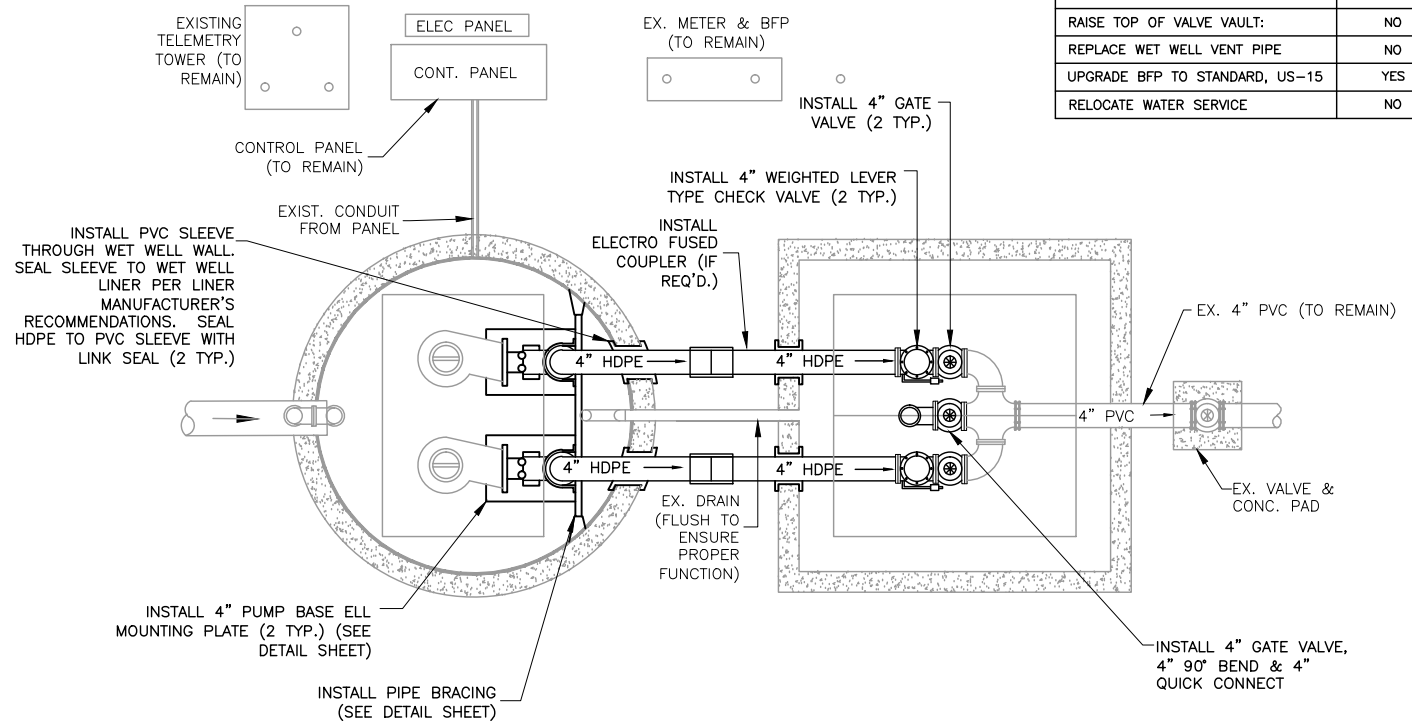
\* INFORMATION TAKEN FROM LIFT STATION DATA FILE (LSINFO.XLS 2010) & RECORD DRAWINGS

# PROPOSED

INSTALL FIBERGLASS W.W. LINER	NO
APPLY SPRAY LINER W.W. LINER	NO
INSTALL STILLING WELL	NO
INSTALL P.V. OUTSIDE OF METER BOX	NO
NEW HDPE PIPING IN W.W.	YES, 4"
NEW BASE ELL	4" BPIU-14
RAISE TOP OF WET WELL:	NO
RAISE TOP OF VALVE VAULT:	NO
REPLACE WET WELL VENT PIPE	NO
UPGRADE BFP TO STANDARD, US-15	YES
RELOCATE WATER SERVICE	NO

## NOTES:

1. CONTRACTOR SHALL NOT BACKFILL OVER ELECTROFUSED COUPLINGS UNTIL INSPECTOR HAS VISUALLY CHECKED IT FOR LEAKS DURING PUMP STARTUP OR PRESSURE TEST AS DIRECTED BY THE ENGINEER.
2. ALL MATERIALS AND INSTALLATION SHALL BE IN ACCORDANCE WITH THE LATEST MANATEE COUNTY PUBLIC WORKS UTILITY STANDARDS.



# FY 2011 LIFT STATION REHABILITATION GROUP 2 LWR TOWN CENTER 3, (RTU 382)

DATE			
BY			
REVISION DESCRIPTION			
NO.			
PROJECT #	402-0019707 / 5001301		
SURVEY #	-		
SEC./TWN./RGE	31/35/19		
SCALE	N.T.S.		
	BY	DATE	
SURVEYED	----	----	
DESIGNED	JSS	01/2011	
DRAWN	BLR	01/2011	
CHECKED			
JOHN S. SHOUN, P.E. FLORIDA P.E. # 60923			
Signature & Date			

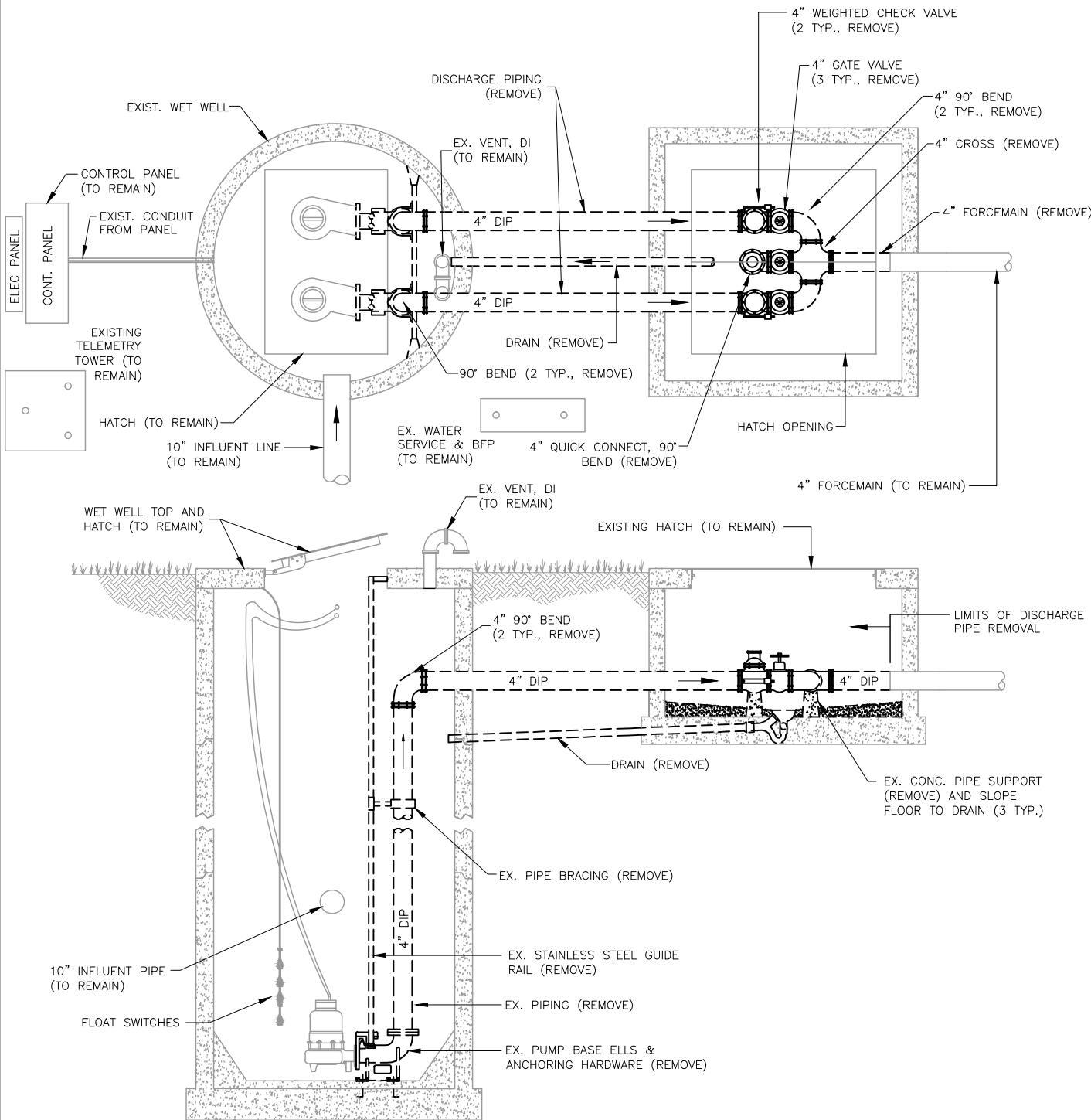
# EXISTING

## NOTES:

1. THE WET WELL AND VALVE VAULT CONFIGURATION SHOWN ON THESE GRAPHICS IS FOR IDENTIFICATION OF COMPONENTS TO BE REMOVED. THE CONTRACTOR SHALL FIELD VERIFY ALL EXISTING CONDITIONS, ELEVATIONS, CONFIGURATION, ETC. FOR ACCURACY.
2. THE CONTRACTOR/BIDDER SHALL FIELD VERIFY ALL EXISTING CONDITIONS AND DIMENSIONS.
3. THE CONTRACTOR/BIDDER SHALL DETERMINE THE DISCHARGE PIPING ELEVATIONS DURING THE SITE VISITS.
4. REMOVAL AND REINSTALLATION OF THE PUMPS DURING THE REHABILITATION SHALL BE DONE BY MANATEE COUNTY PERSONNEL IN COORDINATION WITH THE CONTRACTOR
5. BY-PASS PUMPING IS THE RESPONSIBILITY OF THE CONTRACTOR.
6. MANATEE COUNTY GOVERNMENT WILL PROVIDE ONE (1) LIFT STATION SHUT-DOWN AT NO COST TO THE CONTRACTOR. ADDITIONAL SHUT-DOWNS WILL COST THE CONTRACTOR \$3,500 EACH, IF NEEDED.
7. THE CONTRACTOR IS RESPONSIBLE FOR RESTORING ANY DAMAGED LANDSCAPING TO EXISTING OR DESIGN CONDITIONS.
8. THE WORK AREA IS LIMITED TO THE LIFT STATION SITE.

RADIO TELEMETRY UNIT (RTU)	450
WET WELL DIAMETER	6'
DISCHARGE PIPING DIAMETER	4"
FORCE MAIN DIAMETER	4"
INFLUENT PIPE SIZE	10"
INFLUENT INVERT ELEVATION	2.68
BOTTOM SLAB ELEVATION	-1.32
TOP ELEVATION	16.93
VALVE VAULT HATCH ELEVATION	16.93
WET WELL VENT PIPE	DIP
L.S. DESIGN CAPACITY gpm/TDH	100/28'

\* INFORMATION TAKEN FROM LIFT STATION DATA FILE (LSINFO.XLS 2010) & RECORD DRAWINGS

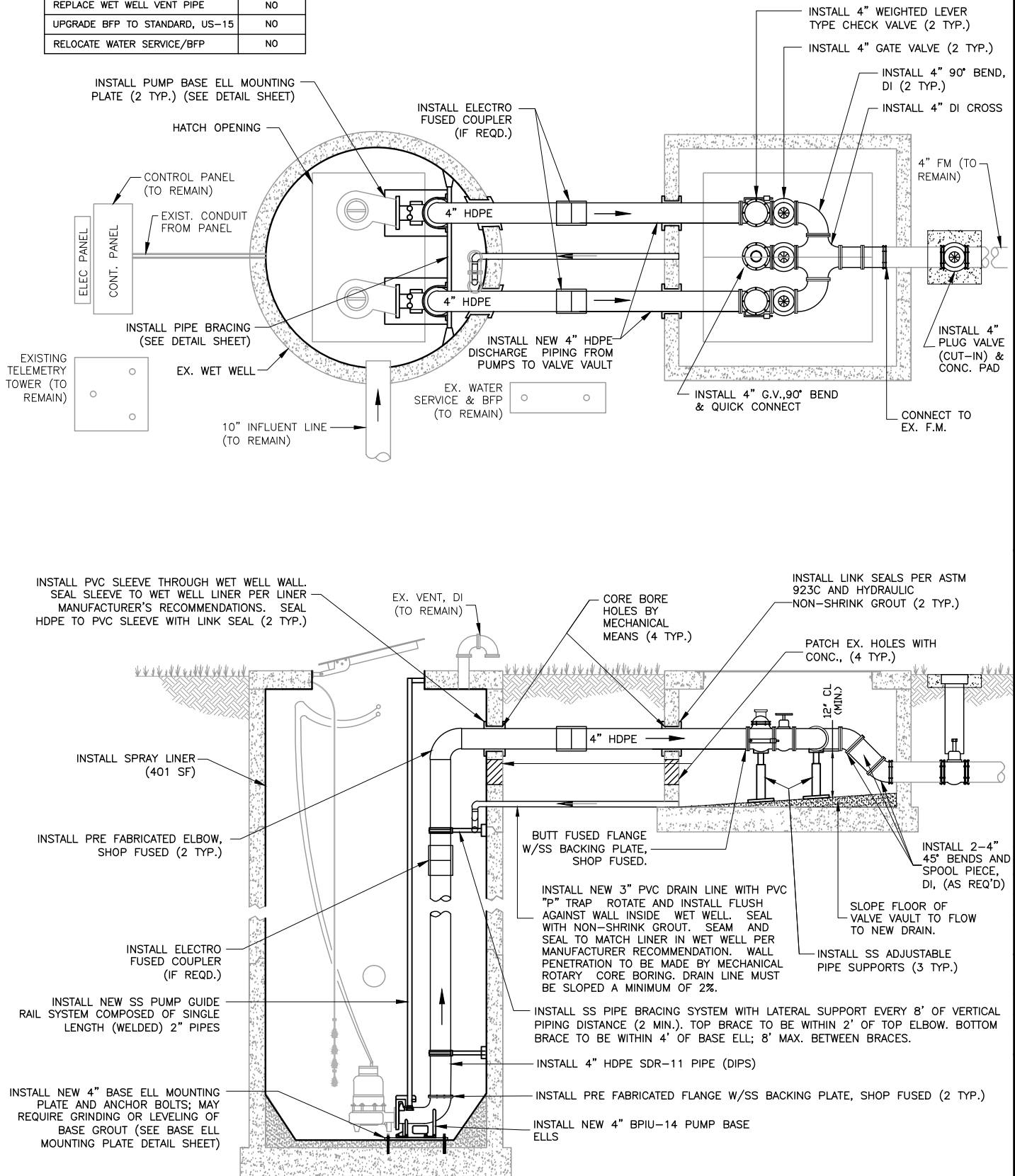


# PROPOSED

INSTALL FIBERGLASS W.W. LINER	NO
APPLY SPRAY LINER W.W. LINER	YES
INSTALL STILLING WELL	NO
INSTALL P.V. OUTSIDE OF V.V.	YES
NEW HDPE PIPING IN W.W.	YES, 4"
NEW BASE ELL	4" BPIU-14
RAISE TOP OF WET WELL:	NO
RAISE TOP OF VALVE VAULT:	NO
REPLACE WET WELL VENT PIPE	NO
UPGRADE BFP TO STANDARD, US-15	NO
RELOCATE WATER SERVICE/BFP	NO

## NOTES:

1. CONTRACTOR SHALL NOT BACKFILL OVER ELECTROFUSED COUPLINGS UNTIL INSPECTOR HAS VISUALLY CHECKED IT FOR LEAKS DURING PUMP STARTUP OR PRESSURE TEST AS DIRECTED BY THE ENGINEER.
2. RAISE VALVE ASSEMBLY 8"-10" WITHIN VALVE VAULT.
3. CONTRACTOR SHALL CORE BORE NEW HOLES FOR THE DISCHARGE PIPING AND PATCH EXISTING HOLES WITH CONCRETE.
4. SPRAY LINER TO BE APPLIED AFTER ALL CORE BORES, PATCHES, PVC SLEEVES, AND NEW DRAIN HAVE BEEN INSTALLED AND CONCRETE ALLOWED TO SET.
5. ALL MATERIALS AND INSTALLATION SHALL BE IN ACCORDANCE WITH THE LATEST MANATEE COUNTY PUBLIC WORKS UTILITY STANDARDS.



# FY 2011 LIFT STATION REHABILITATION GROUP 2 PALM AIRE 10, (RTU 450)

DATE	
BY	
REVISION DESCRIPTION	
NO.	
PROJECT #	402-0019707 / 5001301
SURVEY #	-
SEC./TWN./RGE	22/35/18
SCALE	N.T.S.
	BY DATE
SURVEYED	----
DESIGNED	JSS 01/2011
DRAWN	BLR 01/2011
CHECKED	
JOHN S. SHOUN, P.E. FLORIDA P.E. # 60923	
Signature & Date	

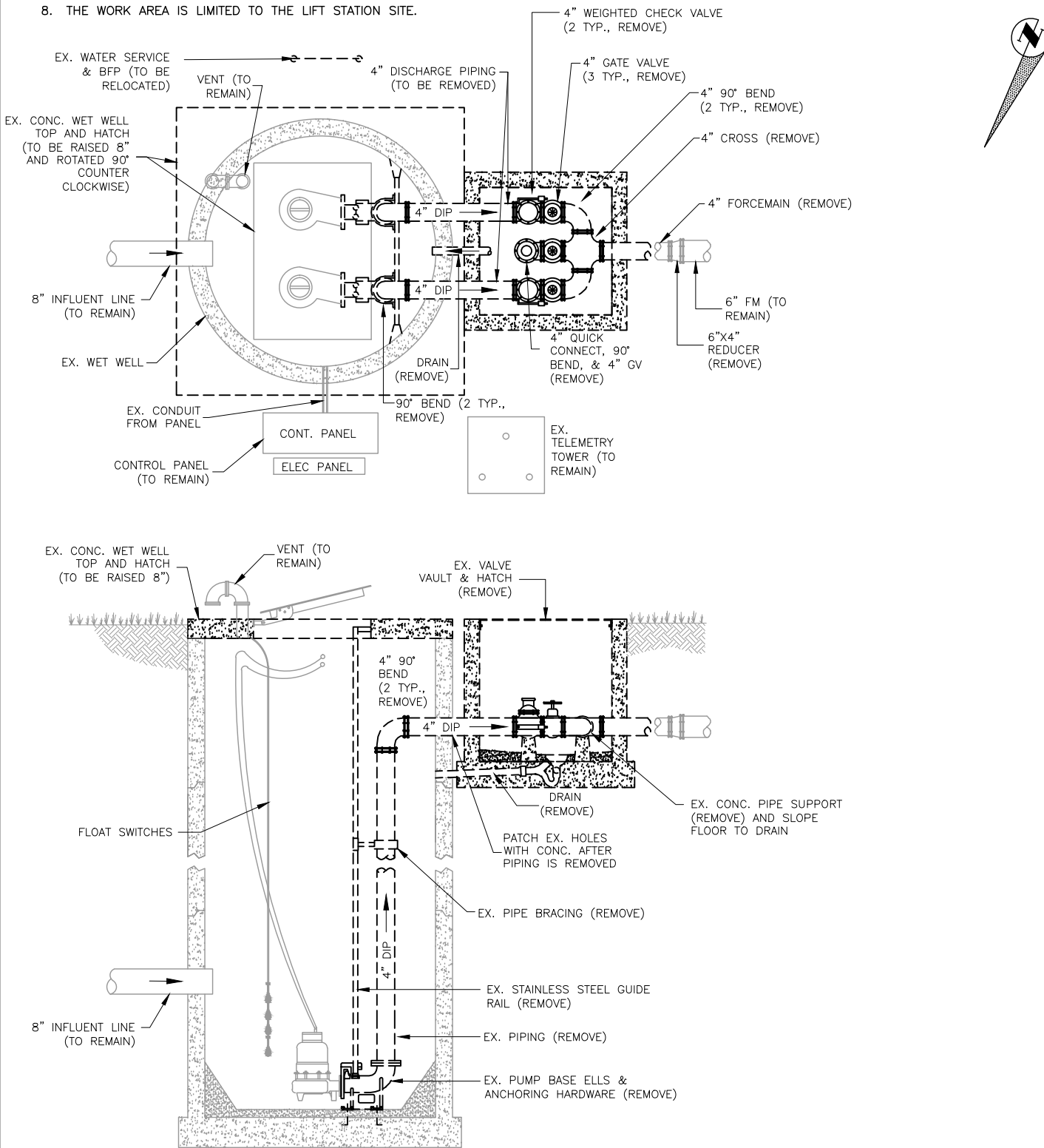
# EXISTING

## NOTES:

1. THE WET WELL AND VALVE VAULT CONFIGURATION SHOWN ON THESE GRAPHICS IS FOR IDENTIFICATION OF COMPONENTS TO BE REMOVED. THE CONTRACTOR SHALL FIELD VERIFY ALL EXISTING CONDITIONS, ELEVATIONS, CONFIGURATION, ETC. FOR ACCURACY.
2. THE CONTRACTOR/BIDDER SHALL FIELD VERIFY ALL EXISTING CONDITIONS AND DIMENSIONS.
3. THE CONTRACTOR/BIDDER SHALL DETERMINE THE DISCHARGE PIPING ELEVATIONS DURING THE SITE VISITS.
4. REMOVAL AND REINSTALLATION OF THE PUMPS DURING THE REHABILITATION SHALL BE DONE BY MANATEE COUNTY PERSONNEL IN COORDINATION WITH THE CONTRACTOR
5. BY-PASS PUMPING IS THE RESPONSIBILITY OF THE CONTRACTOR.
6. MANATEE COUNTY GOVERNMENT WILL PROVIDE ONE (1) LIFT STATION SHUT-DOWN AT NO COST TO THE CONTRACTOR. ADDITIONAL SHUT-DOWNS WILL COST THE CONTRACTOR \$3,500 EACH, IF NEEDED.
7. THE CONTRACTOR IS RESPONSIBLE FOR RESTORING ANY DAMAGED LANDSCAPING TO EXISTING OR DESIGN CONDITIONS.
8. THE WORK AREA IS LIMITED TO THE LIFT STATION SITE.

RADIO TELEMETRY UNIT (RTU)	503
WET WELL DIAMETER	6"
DISCHARGE PIPING DIAMETER	4"
FORCE MAIN DIAMETER	4"
INFLUENT PIPE SIZE	8"
INFLUENT INVERT ELEVATION	0.82
BOTTOM SLAB ELEVATION	-2.36
TOP ELEVATION	10.79
VALVE VAULT HATCH ELEVATION	10.79
WET WELL VENT PIPE	PVC
L.S. DESIGN CAPACITY gpm/TDH	170/26'

\* INFORMATION TAKEN FROM LIFT STATION DATA FILE (LSINFO.XLS 2010) & RECORD DRAWINGS

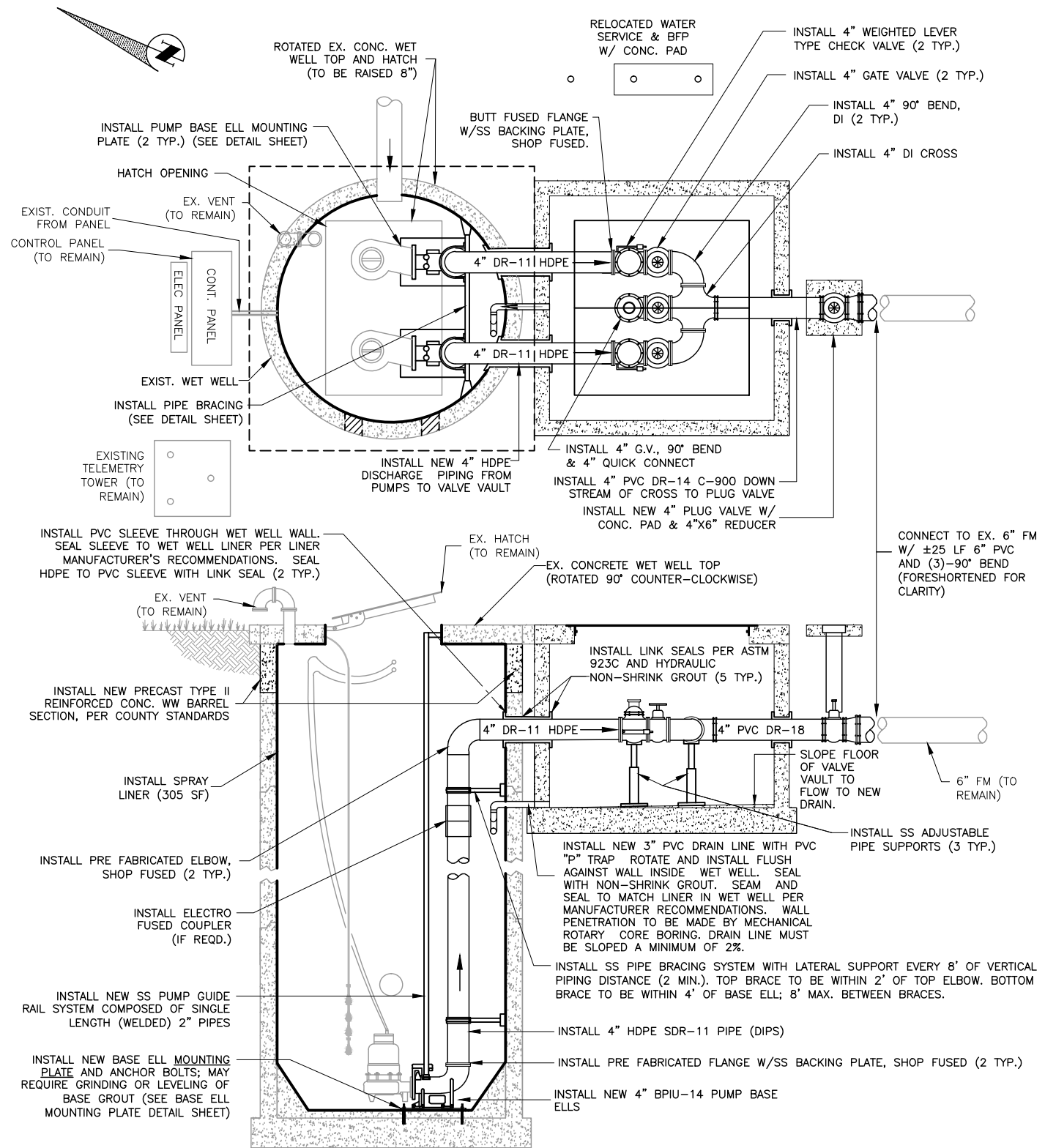


# PROPOSED

INSTALL FIBERGLASS W.W. LINER	NO
APPLY SPRAY LINER W.W. LINER	YES
INSTALL STILLING WELL	NO
INSTALL P.V. OUTSIDE OF V.V.	YES
NEW HDPE PIPING IN W.W.	YES, 4"
NEW BASE ELL	4" BPIU-14
RAISE TOP OF WET WELL:	YES, 8"
RAISE TOP OF VALVE VAULT:	YES, 8"
REPLACE WET WELL VENT PIPE	NO
UPGRADE BFP TO STANDARD, US-15	NO
RELOCATE WATER SERVICE/BFP	YES

## NOTES:

1. CONTRACTOR SHALL NOT BACKFILL OVER ELECTROFUSED COUPLINGS UNTIL INSPECTOR HAS VISUALLY CHECKED IT FOR LEAKS DURING PUMP STARTUP OR PRESSURE TEST AS DIRECTED BY THE ENGINEER.
2. THE CONTRACTOR MAY INSTALL ELECTRO FUSED COUPLER (IF REQ'D.) BETWEEN THE WET WELL AND VALVE VAULT.
3. ALL MATERIALS AND INSTALLATION SHALL BE IN ACCORDANCE WITH THE LATEST MANATEE COUNTY PUBLIC WORKS UTILITY STANDARDS.
4. ROTATE EXISTING CONCRETE WET WELL TOP 90° COUNTER-CLOCKWISE AND RAISE 8 INCHES.
5. INSTALL NEW 5'X5' PRECAST CONCRETE VALVE VAULT WITH 48"X48" HEAVY DUTY DOUBLE DOOR ALUMINUM HATCH. TOP ELEVATION TO MATCH RAISED WET WELL TOP ELEVATION.
6. CONTRACTOR SHALL CORE BORE NEW HOLES FOR THE DISCHARGE PIPING AND PATCH EXISTING HOLES WITH CONCRETE.
7. PVC SLEEVES FOR THE DISCHARGE PIPING SHALL BE INSTALLED FROM THE WET WELL TO THE VALVE VAULT AND EXTEND THROUGH THE WALLS OF BOTH STRUCTURES.
8. SPRAY LINER TO BE APPLIED AFTER ALL CORE BORES, PATCHES, PVC SLEEVES, AND NEW DRAIN HAVE BEEN INSTALLED AND CONCRETE ALLOWED TO SET.
9. THE FORCE MAIN FROM THE NEW VALVE VAULT SHALL BE ROUTED AS SUCH TO AVOID DAMAGE TO THE EXISTING TREES. CONTRACTOR SHALL BE RESPONSIBLE FOR REPLACEMENT OF ANY TREES DAMAGED OR KILLED BY CONSTRUCTION ACTIVITIES.



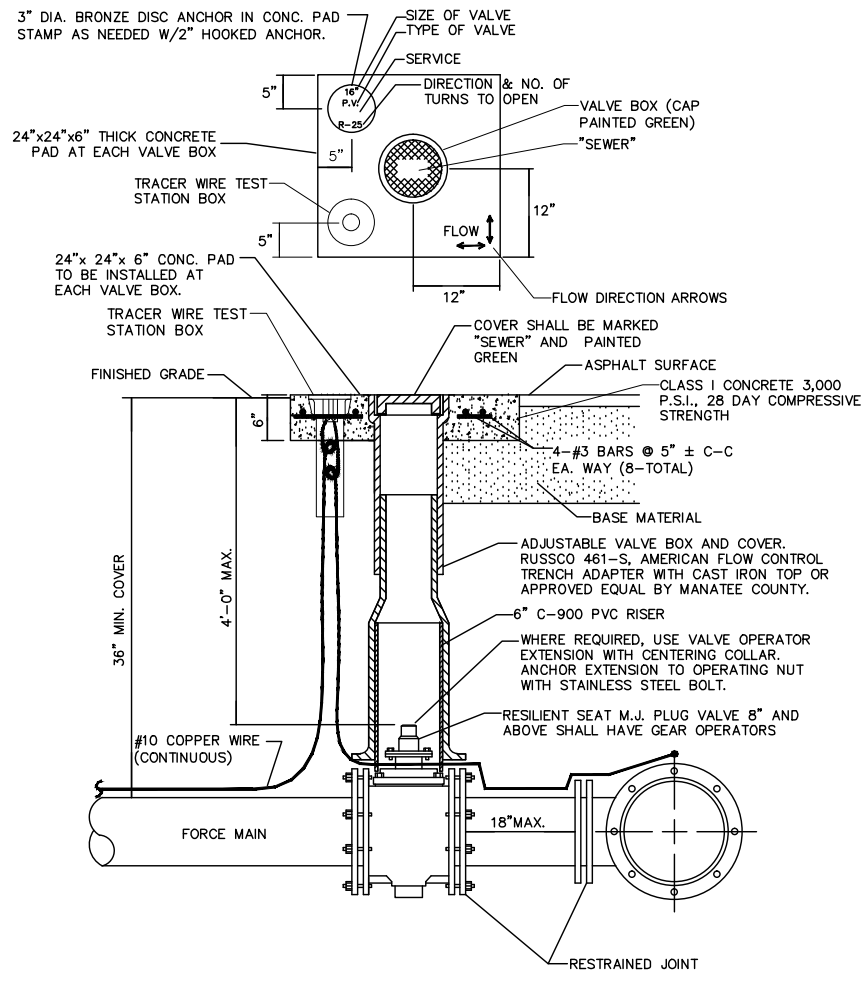
# FY 2011 LIFT STATION REHABILITATION GROUP 2 TIDE VUE 3, (RTU 503)

DATE	
BY	
REVISION DESCRIPTION	
NO.	
PROJECT #	402-0019707 / 5001301
SURVEY #	-
SEC./TWN./RGE	17/34/18
SCALE	N.T.S.
BY	DATE
SURVEYED	----
DESIGNED	JSS 01/2011
DRAWN	BLR 01/2011
CHECKED	
JOHN S. SHOUN, P.E. FLORIDA P.E. # 60923	
Signature & Date	

**FY 2011 LIFT STATION  
REHABILITATION GROUP 2  
DETAILS**

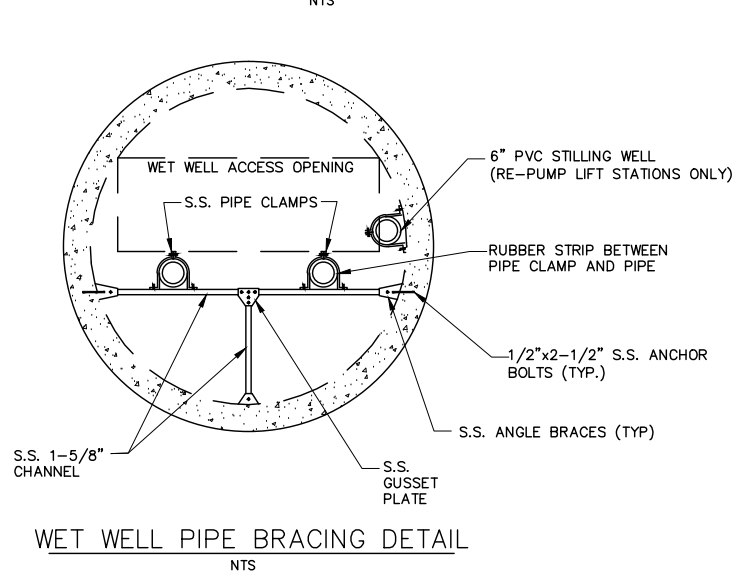
**NOTES:**

- ALL ACCESS COVERS SHALL BE ALUMINUM, WITH STAINLESS STEEL HARDWARE AND RATED FOR 300 P.S.F. LOADING. ALL ALUMINUM SURFACES IN CONTACT WITH CONCRETE SHALL HAVE 2 COATS BITUMASTIC EPOXY, TOTAL 16 MILS DFT. ALL ACCESS COVERS SHALL BE EQUIPPED WITH A LOCKING STAPLE OR BAR FOR USE WITH A PADLOCK. PADLOCKS FOR WETWELL, VALVE VAULT, FENCE GATE AND CONTROL PANELS OF PUBLICLY OWNED & MAINTAINED LIFT STATIONS SHALL BE FURNISHED BY THE MANATEE COUNTY UTILITIES DEPARTMENT.
- INSTALL WET WELL VENT ON THE HINGED SIDE OF THE WET WELL HATCH COVER.
- GROUND SHALL BE SLOPED AWAY FROM SLAB TO NATURAL GROUND ELEVATION IN ALL DIRECTIONS. SITE SHALL INCLUDE A WEED BARRIER FABRIC THAT IS COVERED WITH WASHED SHELL OR ROCK WITHIN LIFT STATION FENCING, SITE SHALL INCLUDE A WEED BARRIER FABRIC THAT IS COVERED WITH SHREDDED WOOD TYPE MULCH UNDER THE SHRUBS AND UP TO OUTSIDE OF THE FENCE. WEED BARRIER FABRIC THAT IS COVERED WITH SHREDDED WOOD-TYPE MULCH SHALL BE LOCATED UNDER THE TREES FOR A MINIMUM DISTANCE OF 3 FEET FROM THE TREE. SODDING OR SHREDDED WOOD-TYPE MULCH SHALL BE INSTALLED ON THE REMAINDER OF THE SITE TO THE EDGE OF THE EASEMENT.
- DUCTILE IRON OR CAST IRON VALVES AND FITTINGS SHALL HAVE A FACTORY APPLIED FUSION BONDED EPOXY EXTERIOR AND INTERIOR COATING.
- ALL FORCE MAIN PIPING AND FITTINGS WITHIN THE WETWELL AND THE VALVE VAULT, FROM THE PUMP BASE ELBOW TO THE CHECK VALVE, SHALL BE DR11 HDPE. ALL CONNECTIONS TO IRON BODIED FLANGE FITTINGS IN THE WETWELL (PUMP BASE ELLS) AND TO THE VALVE VAULT CHECK VALVES SHALL BE MADE USING HDPE FLANGE ADAPTERS WITH 316 STAINLESS STEEL BACKUP RINGS. ALL HDPE CONNECTIONS SHALL BE THERMAL FUSED OR ELECTRO-FUSED. ALL PIPING DOWNSTREAM OF THE CROSS IN THE VALVE VAULT TO THE PLUG VALVE SHALL BE PVC DR 14 C-900.
- ALL PIPING SHALL BE COLOR CODED IN ACCORDANCE WITH THESE STANDARDS. GREEN-RAW SEWAGE; PANTONE 522C PURPLE-RECLAIMED; BLUE-POTABLE WATER.
- ANCHORS & LIFTING DEVICES SHALL NOT PENETRATE THE WALLS OF THE WET WELL.
- ALL METAL APPURTENANCES INCLUDING BOLTS, NUTS AND WASHERS INSIDE THE WET WELL AND VALVE VAULT SHALL BE STAINLESS STEEL UNLESS OTHERWISE NOTED (TYPE 316). ALL STAINLESS STEEL BOLTS SHALL BE TREATED WITH NEVER-SEIZE PRIOR TO ASSEMBLY.
- VERTICAL HDPE PUMP DISCHARGE PIPE IN THE WET WELL SHALL BE BRACED EVERY EIGHT (8) LINEAR FEET TO PREVENT EXCESSIVE BOWING. THE PIPE SHALL BE CLAMPED TO A SINGLE LENGTH OF 1-5/8" STAINLESS STEEL CHANNEL INSTALLED HORIZONTALLY AND ANCHORED TO THE WET WELL WALL AT EACH END WITH A CENTER BRACE OF 1-5/8" CHANNEL ATTACHED TO THE BACK OF THE WET WELL. THE PIPE CLAMPS SHALL BE A MINIMUM OF 1-1/2" WIDE, 12 GA. STAINLESS STEEL. WET WELLS LARGER THAN 8 FEET OR PIPING LARGER THAN 6 INCHES SHALL HAVE BRACING CONSTRUCTED FROM 1/4 INCH X 4 INCH STAINLESS STEEL ANGLE.
- VALVE & METER VAULTS SHALL BE PRECAST TYPE II REINFORCED CONCRETE.
- FOR 5/8" WATER METER, PROVIDE POTABLE WATER SERVICE CONNECTION WITH 3/4" BRASS LOCKSHIELD AND LOOSE KEY HOSE BIB. PROVIDE WATTS 909 BACKFLOW PREVENTER (OR APPROVED EQUAL). ALL WATER SERVICE PIPING FROM WATER METER TO BE TYPE "K" COPPER OR BRASS, 3/4" MIN. DIAMETER FOR 5/8" METER AND 2" MIN. DIAMETER PIPING FOR 2" METER, SEE DETAIL US-15.
- HOSE BIB TO BE A MAXIMUM OF 2 FEET FROM THE VALVE VAULT, A MINIMUM OF 6 FEET FROM THE ELECTRICAL CONTROL PANEL, 24" ABOVE THE SURROUNDING FINISH GRADE, AND ANCHORED TO A 4" PVC CONCRETE FILLED PIPE.
- EVERY EFFORT SHALL BE MADE BY THE CONTRACTOR TO CONSTRUCT WATERTIGHT STRUCTURES WITH NO VISIBLE LEAKS. COMPLETED STRUCTURES THAT ARE NOT WATERTIGHT AND/OR DO NOT MEET THE REQUIREMENTS OF ASTM C-443 WILL BE REJECTED.
- FLEXIBLE GASKET CONNECTORS SHALL MEET THE REQUIREMENTS OF ASTM C-923 LATEST REVISION AND ARE REQUIRED IN ALL MANHOLES.
- ALL GATE VALVES SHALL BE RESILIENT SEAT IN ACCORDANCE WITH THESE STANDARDS.
- ELECTRICAL CONDUIT SHALL BE RUN BY THE SHORTEST ROUTE POSSIBLE FROM THE ELECTRICAL SOURCE TO THE CONTROL PANEL AND FROM THE CONTROL PANEL TO THE LIFT STATION WET WELL. NO ELECTRICAL SHALL BE INSTALLED BETWEEN THE WET WELL AND VALVE VAULT STRUCTURES.
- THE VALVE VAULT SHALL HAVE A MINIMUM CLEARANCE OF 12" FROM FLANGES TO THE VALVE VAULT WALL, 18" FROM FLANGES TO THE VALVE VAULT FLOOR AND 12" FROM THE CROSS TO THE VALVE VAULT WALL AT THE FORCE MAIN EXIT POINT.
- PVC RESTRAINTS SHALL BE EBAA IRON MEGA FLANGE. MEGA LUG OR APPROVED EQUAL.
- ALL BURIED FITTINGS SHALL BE RESTRAINED MECHANICAL JOINT, DUCTILE IRON.
- MANATEE COUNTY UTILITY OPERATIONS DEPT. SHALL HAVE THE OPTION TO PICK-UP AT THE SITE ANY REMOVED ITEM SUCH AS VALVES FOR POSSIBLE REUSE. THE CONTRACTOR SHALL BE RESPONSIBLE FOR THE PROPER DISPOSAL OF ALL REMOVED ITEMS NOT PICKED UP BY THE UTILITY OPERATIONS DEPT.

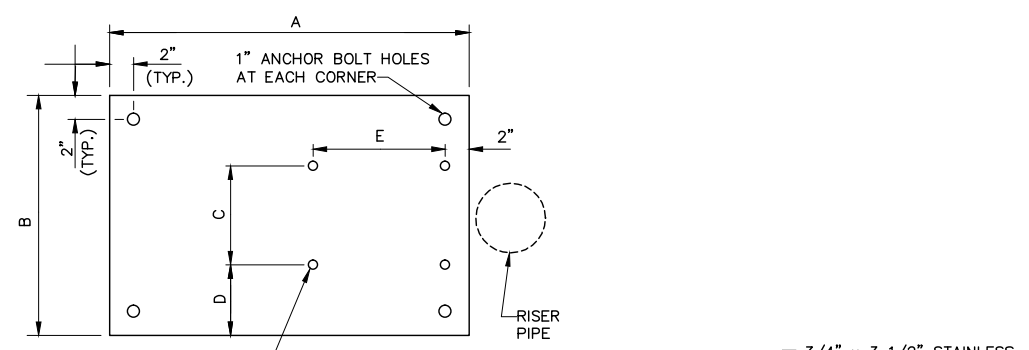


- NOTES:**
- "SV" TO BE IMPRESSED INTO THE NEWLY-POURED CONCRETE CURB, ALONG WITH DISTANCE IN FEET TO THE VALVE. IF NO CURB, INSTALL A GREEN DISC WITH "SV" AND A 1/8"x1" GALVANIZED STEEL SCREW IN THE EDGE OF PAVEMENT WITH THE DISTANCE (FT.) FROM THE DISC TO THE VALVE.
  - ALL EXISTING AND PROPOSED VALVE BOXES SHALL BE ADJUSTED TO FINISHED GRADES AS ESTABLISHED IN THE FIELD.
  - SEWER VALVES SHALL NOT BE PLACED IN HANDICAPPED RAMPS.
  - PRECAST CONCRETE PADS SHALL NOT BE USED.
  - ALL EXPOSED EDGES OF CONCRETE SHALL BE CHAMFERED 1/2".
  - PLUG VALVES SHALL NOT BE USED AS A TAPPING VALVE. A SEPARATE TAPPING GATE VALVE AND TAPPING SLEEVE IS REQUIRED IN ADDITION TO PLUG VALVE. SEE STANDARD DETAIL UW-4.

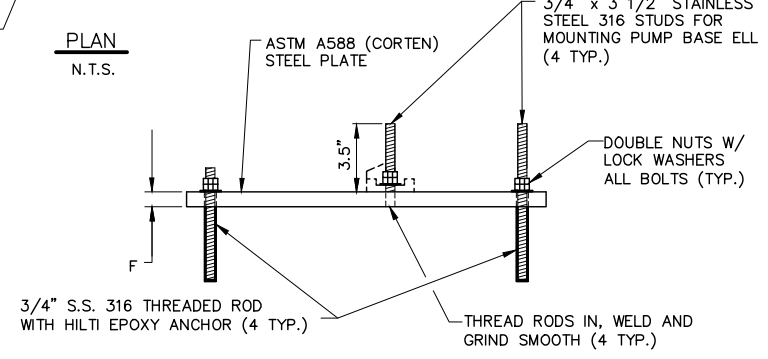
**PLUG VALVE, BOX COVER AND TAG**  
NTS



**WET WELL PIPE BRACING DETAIL**  
NTS



**PLAN**  
N.T.S.



**PROFILE**  
N.T.S.

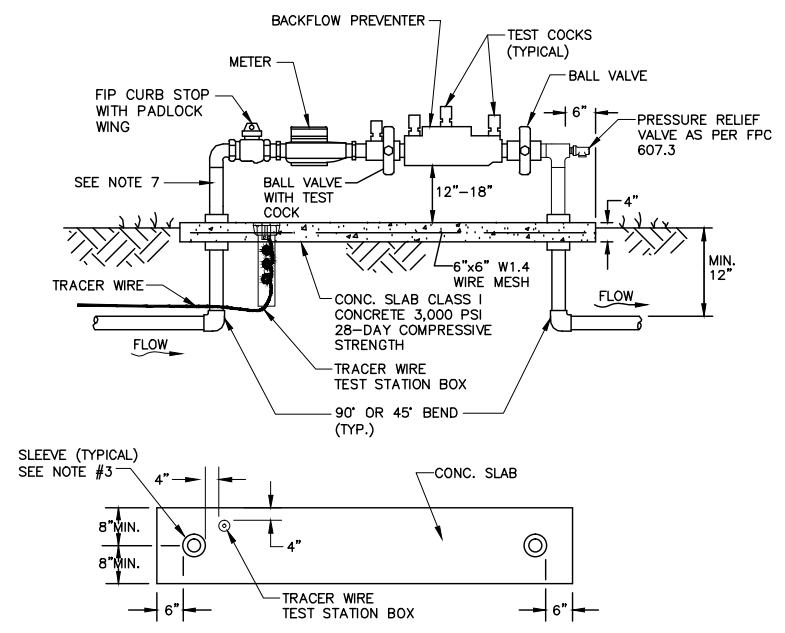
**PUMP BASE ELL MOUNTING PLATE DIMENSIONS**

DIMENSIONS	A	B	C	D	E	F	G
FOR 6" PUMPS	24"	20"	8.25"	5.875"	11"	3/4"	N/A
FOR 4" PUMPS	20"	16"	6"	5"	10"	1/2"	N/A

**NOTES:**

- INSTALL DOUBLE NUTS ON ALL EIGHT (8) THREADED RODS.
- THE PLATE EDGES AND ALL HOLES SHALL BE GROUND SMOOTH TO REMOVE ALL BURRS.
- DIMENSIONS "C" & "E" ARE FOR BARNEY'S PUMPS, INC. BASE ELLS.
- FOR PUMPS WITH A 2-INCH DISCHARGE OR LESS, A SINGLE BASE PLATE SHALL BE INSTALLED UNDER BOTH GRINDER PUMPS.

**PUMP BASE ELL MOUNTING PLATE**  
NTS



**WATER METER & BACKFLOW PREVENTER FOR LIFT STATIONS**  
NTS

**NOTES:**

- BACKFLOW DEVICE MUST BE INSTALLED DOWNSTREAM OF METER, AS CLOSE TO METER AS POSSIBLE.
- COPPER PIPE TYPE "L" OR BRASS PIPE MINIMUM SCHEDULE 40 SHALL BE USED TO A MINIMUM DEPTH OF 12" BELOW GRADE. PIPES PASSING THROUGH OR ENCASED IN CONCRETE MUST BE PROPERLY PROTECTED AND SLEEVED.
- THE SYSTEM MUST MEET ALL REQUIREMENTS OF THE FLORIDA PLUMBING CODE (LATEST EDITION) AND THE MANATEE COUNTY BACKFLOW PREVENTION ORDINANCE (LATEST EDITION). ALL EXPOSED EDGES OF CONCRETE SHALL BE CHAMFERED 1/2".
- BACKFLOW PREVENTER SHALL BE TESTED AT THE TIME OF INSTALLATION. PRESSURE REDUCING VALVE REQUIRED UPSTREAM OF BACKFLOW IF SYSTEM PRESSURE EXCEEDS 80 PSI.
- 2' MINIMUM CLEARANCE FROM LANDSCAPING PLANTS TO EDGE OF CONCRETE SLAB AND CLEAR OPENING FOR ACCESS FROM STREET.
- THE WATER METER AND BACKFLOW PREVENTER SHALL BE LOCATED WITHIN THE LIFT STATION SECURITY FENCING FOR PUBLICLY OWNED AND MAINTAINED LIFT STATIONS. THE WATER METER AND BACKFLOW PREVENTER SHALL NOT BE LOCATED WITHIN THE LIFT STATION FENCING FOR PRIVATE LIFT STATIONS. WATER METER FOR PRIVATE LIFT STATIONS SHALL BE LOCATED WITHIN THE ROW, ADJACENT TO THE ROW LINE OR WITHIN AN EASEMENT.
- LIFT STATIONS SHALL HAVE A 5/8 INCH WATER METER, WITH A REDUCED PRESSURE BACKFLOW PREVENTER, AS SHOWN IN THIS DETAIL. LIFT STATIONS WITH A WETWELL DIAMETER GREATER THAN OR EQUAL TO 12 FT SHALL HAVE A 2 INCH WATER METER, WITH A REDUCED PRESSURE BACKFLOW PREVENTER, AS SHOWN IN STANDARD DETAIL UW-13.

NO.	DATE	BY	REVISION DESCRIPTION

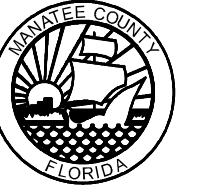
PROJECT #	402-0019707 / 5001301
SURVEY #	-
SEC./TWN./RGE	-
SCALE	N.T.S.

	BY	DATE
SURVEYED	----	----
DESIGNED	JSS	01/2011
DRAWN	JSS	01/2011
CHECKED		

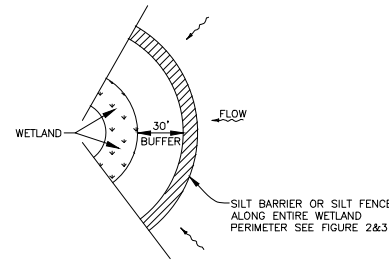
JOHN S. SHOUN, P.E.  
FLORIDA P.E. # 60923

Signature & Date

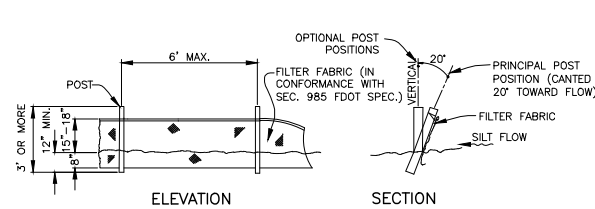
COPYRIGHT 2010 MANATEE COUNTY GOVERNMENT (S:\P\MD\_Engineering\Shoun\U081\_Eng\_Design\Proj\2011\_SAN\_SWR\_Proj\San\_Swr\_-\_LS\_Upgrade\FY\_2011\_LS\_Rehab\_Group\_2\10-Details\_3/17/2011\_2:16 PM\_Shouh.dwg (1:100 x 17:00 inches)



**FY 2011 LIFT STATION  
REHABILITATION GROUP 2  
EROSION CONTROL**

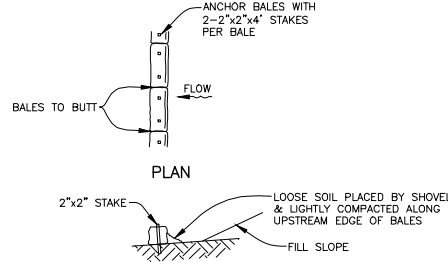


**WETLAND BUFFER**  
FIGURE 1

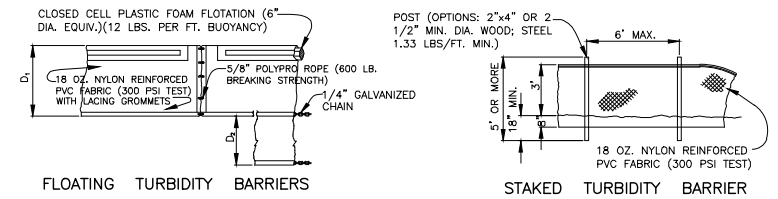


NOTE: SILT FENCE TO BE PAID FOR UNDER THE CONTRACT UNIT PRICE FOR STAKED SILT FENCE (LF).

**TYPICAL SILT FENCE**  
FIGURE 2



**TYPICAL BALE SILT BARRIER**  
FIGURE 3

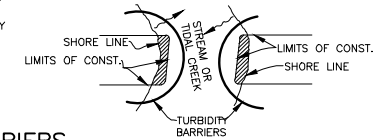


**FLOATING TURBIDITY BARRIERS**

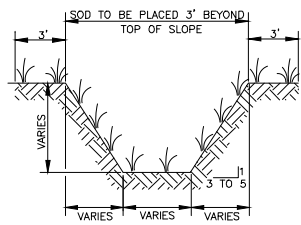
**STAKED TURBIDITY BARRIER**

D<sub>50</sub> = 5' STD. (SINGLE PANEL FOR DEPTHS 5' OR LESS). D<sub>50</sub> = 5' STD. (ADDITIONAL PANEL FOR DEPTHS > 5'). CURTAIN TO REACH BOTTOM UP TO DEPTHS OF 10 FEET. TWO(2) PANELS TO BE USED FOR DEPTHS GREATER THAN 10 FEET UNLESS SPECIAL DEPTH CURTAINS SPECIFICALLY CALLED FOR IN THE PLANS OR AS DETERMINED BY THE ENGINEER.

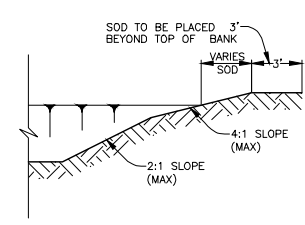
NOTICE: COMPONENTS OF TYPES I AND II MAY BE SIMILAR OR IDENTICAL TO PROPRIETARY DESIGNS. ANY INFRINGEMENT ON THE PROPRIETARY RIGHTS OF THE DESIGNER SHALL BE THE SOLE RESPONSIBILITY OF THE USER. SUBSTITUTIONS FOR TYPES I AND II SHALL BE AS APPROVED BY THE ENGINEER.



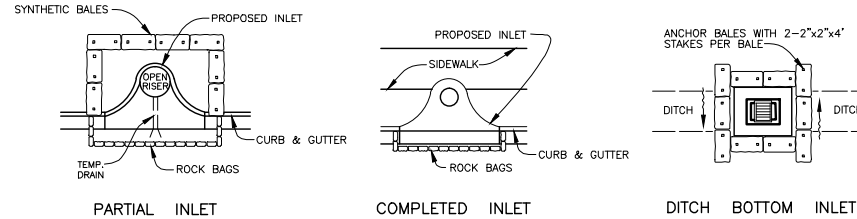
**TURBIDITY BARRIERS**  
FIGURE 4



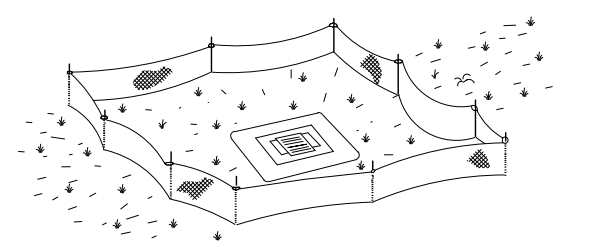
**TYPICAL SWALE SECTION**  
FIGURE 5



**TYPICAL RETENTION/DETENTION POND SECTION**  
FIGURE 6

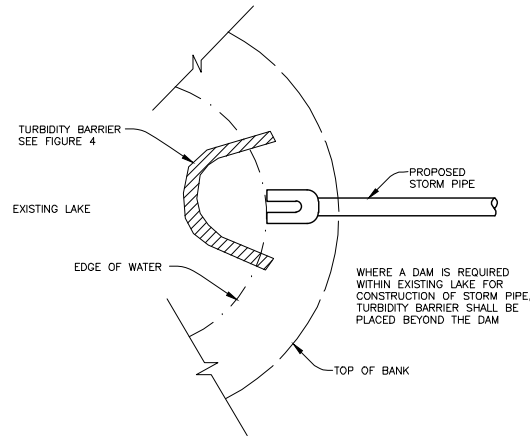


**SYNTHETIC BALE PROTECTION AROUND  
INLETS OR SIMILAR STRUCTURES**  
FIGURE 7

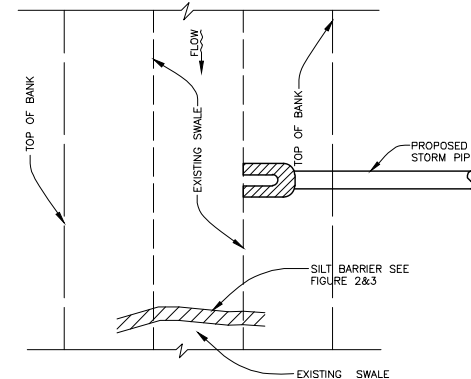


**TYPE III SILT FENCE PROTECTION  
AROUND DITCH BOTTOM INLETS**

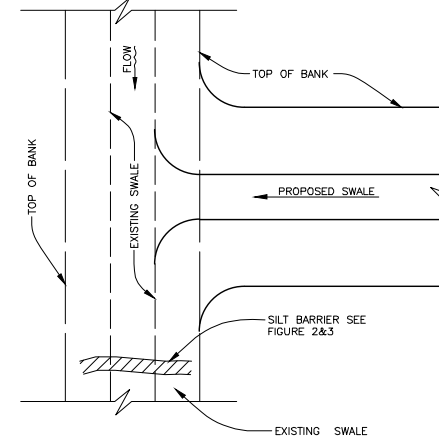
**STAKED SILT BARRIER OR SILT FENCE  
PROTECTION AROUND DITCH BOTTOM INLETS**  
FIGURE 8



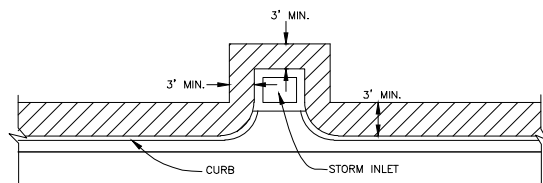
**TURBIDITY BARRIER AT CONNECTION OF  
STORM PIPE TO EXISTING LAKE**  
FIGURE 9



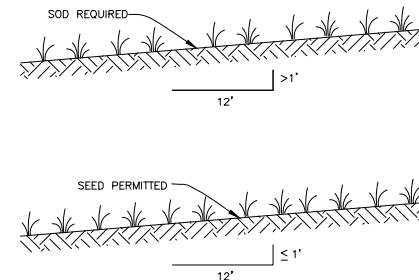
**SILT BARRIER AT CONNECTION OF  
STORM PIPE TO EXISTING SWALE**  
FIGURE 10



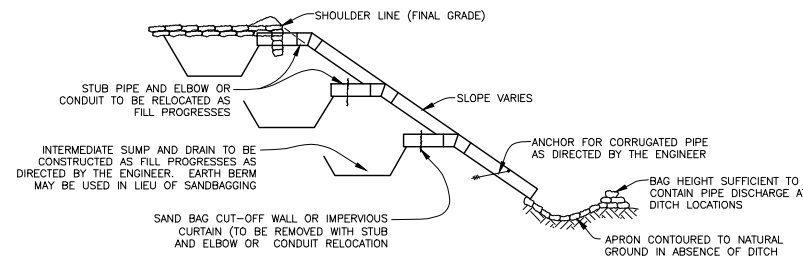
**SILT BARRIER AT CONNECTION  
OF SWALE TO EXISTING SWALE**  
FIGURE 11



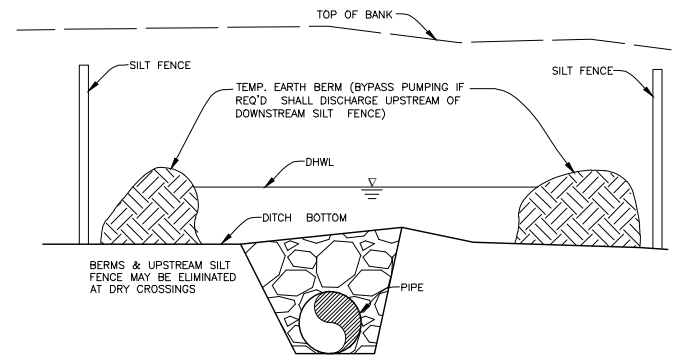
**SOD ALONG CURB  
AND AROUND INLET**  
FIGURE 14



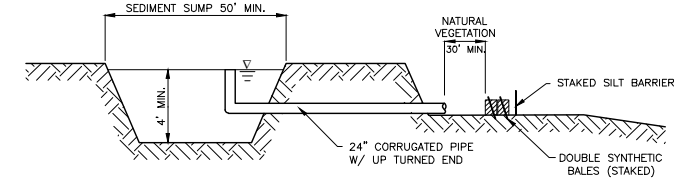
**GRASS SLOPES**  
FIGURE 13



**SECTION AA  
TEMPORARY SLOPE DRAIN**  
FIGURE 15



**UNDERGROUND PIPE CROSSING**  
FIGURE 12



**SEDIMENT SUMP SECTION**  
FIGURE 16

NOTE:  
REFERENCE THE FDOT DESIGN STANDARDS  
LATEST EDITION FOR ALL TEMPORARY  
EROSION CONTROL MEASURES.

NO.	DATE	BY	REVISION DESCRIPTION

PROJECT #	402-0019707 / 5001301
SURVEY #	-
SEC./TWN./RGE	-
SCALE	N.T.S.

	BY	DATE
SURVEYED	---	---
DESIGNED	JSS	01/2011
DRAWN	JSS	01/2011
CHECKED		

JOHN S. SHOUN, P.E.  
FLORIDA P.E. # 60923

Signature & Date

Copyright 2010 Manatee County Government. All rights reserved. This drawing is the property of Manatee County Government and shall not be reproduced without the written consent of the Engineering Services Department. If you have any questions regarding this drawing, please contact the Engineering Services Department at 941-755-6000.