

Stantec
6900 Professional Pkwy East, Suite 100
Sarasota, Florida 34240, U.S.A.

Tel. 941.907.6900
Fax. 941.907.6910
www.stantec.com

Contract # 1507000103 - Florida License # LC-0000170

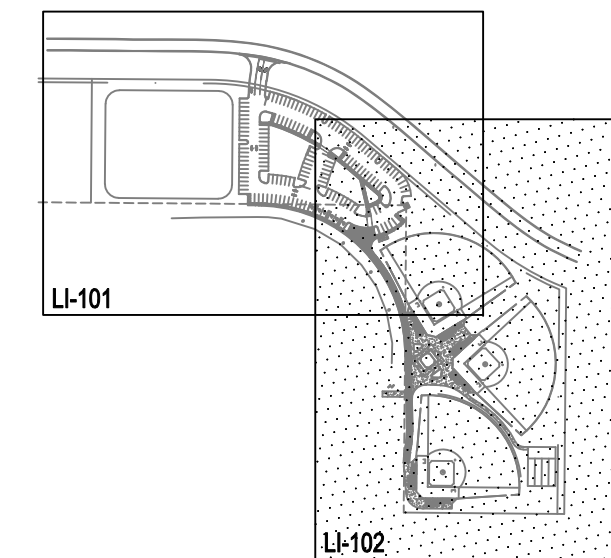
Copyright Reserved

The Contractor shall verify and be responsible for all dimensions. DO NOT scale the drawing - any errors or omissions shall be reported to Stantec without delay.
The Copyrights to all designs and drawings are the property of Stantec. Reproduction or use for any purpose other than that authorized by Stantec is forbidden.

Consultants

Colborn Design Group, Inc.
803 87th St. Cl. NW, Bradenton, FL 34209
Phone: (941) 795-7458

Legend



Notes

Revision	By	Appd.	MM.DD.YY
2. 100% PLAN SET	ASM	SAB	02.22.13
1. 90% PLAN SET	ASM	SAB	02.13.13
Issued			
File Name:	ASM	SAB	12.04.12
	Dwn.	Chkd.	Dsgn.
			MM.DD.YY

Client/Project

Manatee County Board of County Commissioners
Blackstone Park Expansion
City of Palmetto, Florida

Title

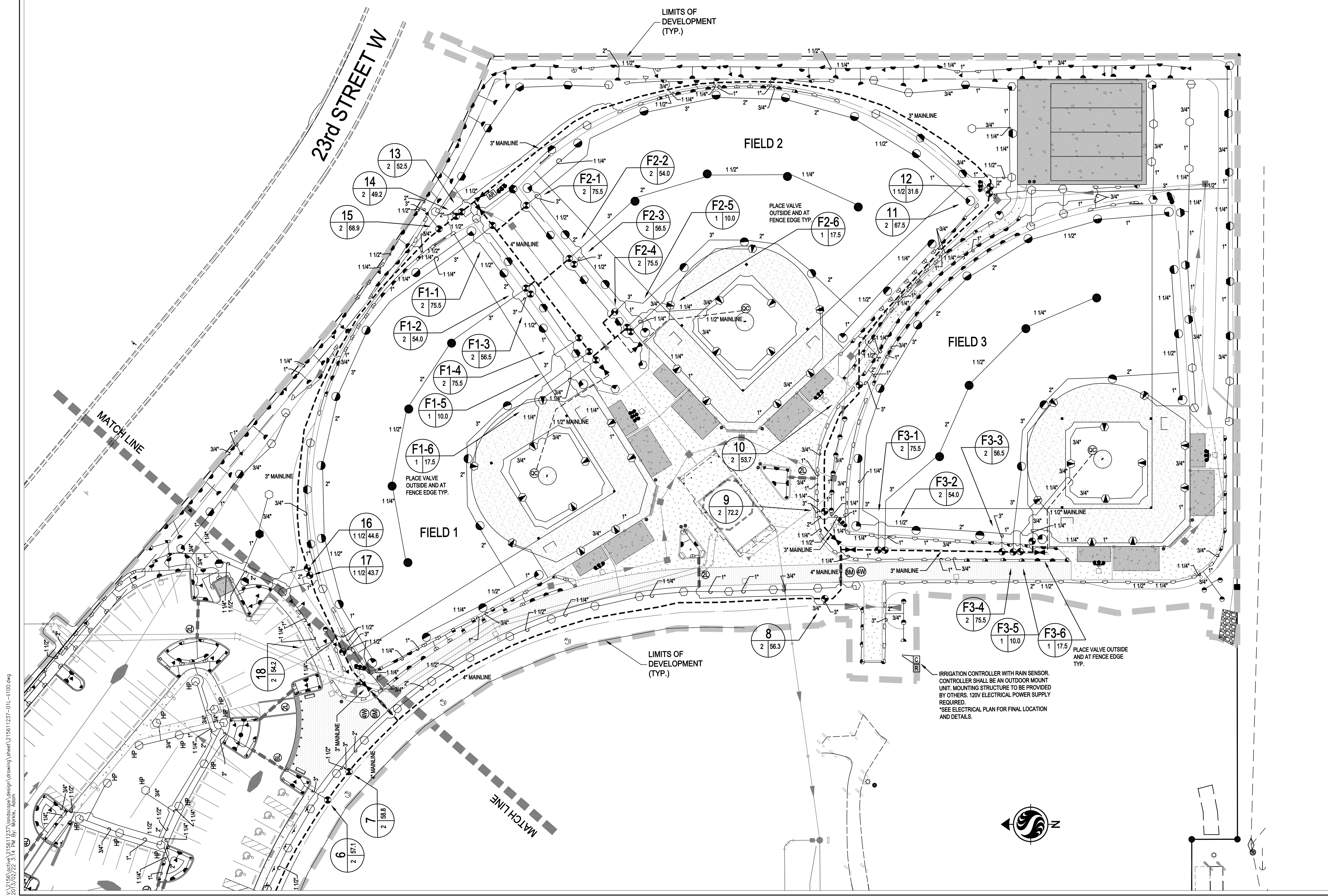
LANDSCAPE
IRRIGATION PLAN - SOUTH EAST

Project No.
215611237

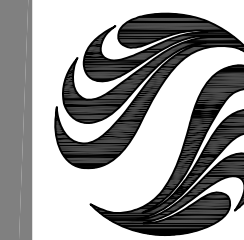
Scale 15 30 45 75
Drawing No. Sheet of Revision

LI-102

of 0



V:\215611237\landscape\design\sheet\215611237-01-11.00.dwg
 2013/02/22 3:14 PM By: Markie, Adam
 ORIGINAL SHEET - ARCH D



Stantec
6900 Professional Pkwy East, Suite 100
Sarasota, Florida 34240, U.S.A.

Tel. 941.907.6900
Fax. 941.907.6910
www.stantec.com

Circle 4 of AutoCAD 2011 - Pkgs License # 12-000170

Copyright Reserved

The Contractor shall verify and be responsible for all dimensions. DO NOT scale the drawing - any errors or omissions shall be reported to Stantec without delay. The Copyrights to all designs and drawings are the property of Stantec. Reproduction or use for any purpose other than that authorized by Stantec is forbidden.

Consultants

Colborn Design Group, Inc.
803 87th St. Cl. NW, Bradenton, FL 34209
Phone: (941) 795-7458

Legend

Notes

Revision	By	Appd.	MM.DD.YY	
3. REVISE SWING JOINT NOTE TO REQUIRE RISER	DJB	ASM	06.24.13	
2. 100% PLAN SET	ASM	SAB	02.22.13	
1. 90% PLAN SET	ASM	SAB	02.13.13	
Issued	By	Appd.	MM.DD.YY	
File Name:	ASM	SAB	12.04.12	
	Dwn.	Chkd.	Dsgn.	MM.DD.YY

SCOTT A. BUTTAR, L.A.
FLORIDA LICENSE NO. 0061798

Client/Project
Manatee County Board of County Commissioners

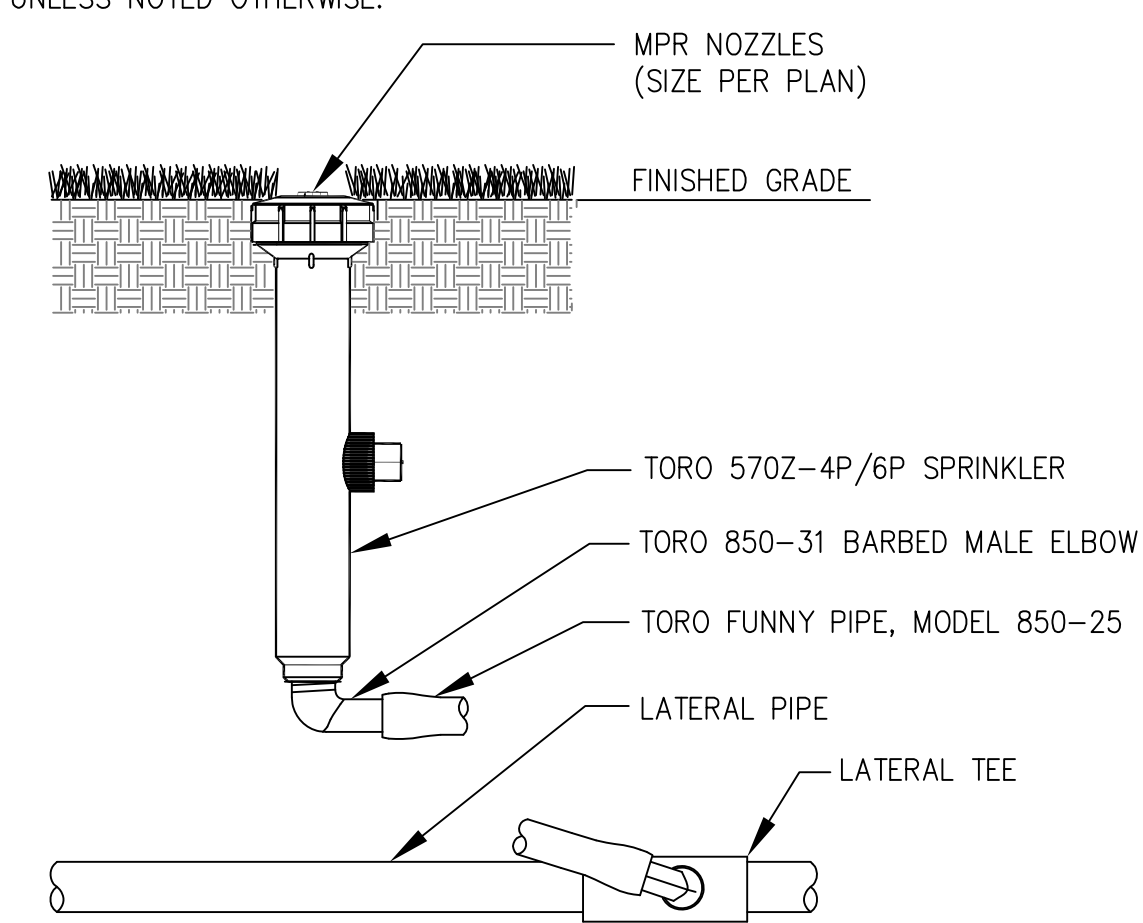
Blackstone Park Expansion
City of Palmetto, Florida

Title
LANDSCAPE IRRIGATION DETAILS

Project No. 215611237	Scale 15 30 45 75
Drawing No.	Sheet of Revision

LI-501 of 0

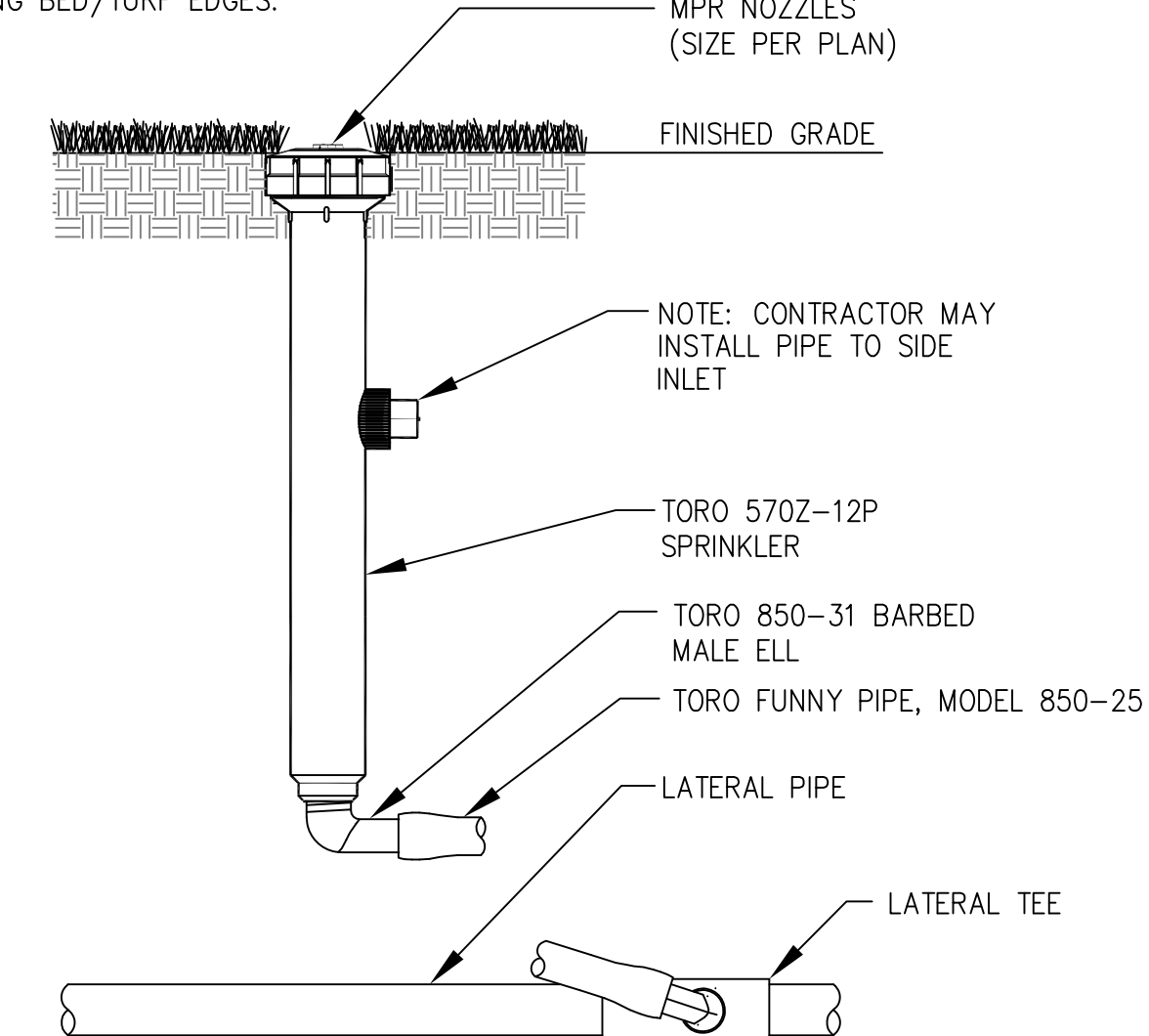
NOTE: TORO 570Z-6P SPRINKLERS TO BE INSTALLED UNLESS NOTED OTHERWISE.



TORO 570Z-6P SPRINKLER

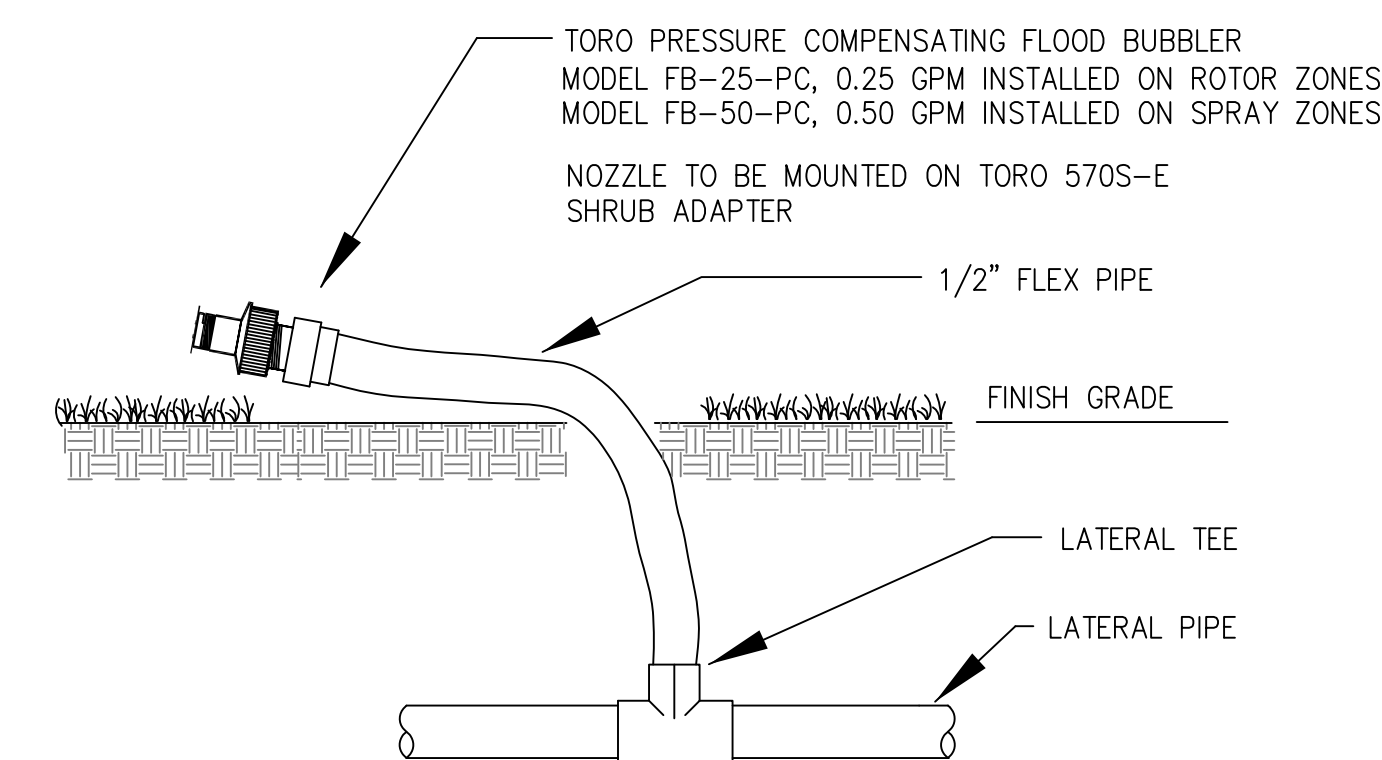
NTS

NOTE: TORO 570Z-12P SPRINKLERS TO BE INSTALLED IN PLANTING BED/TURF EDGES.



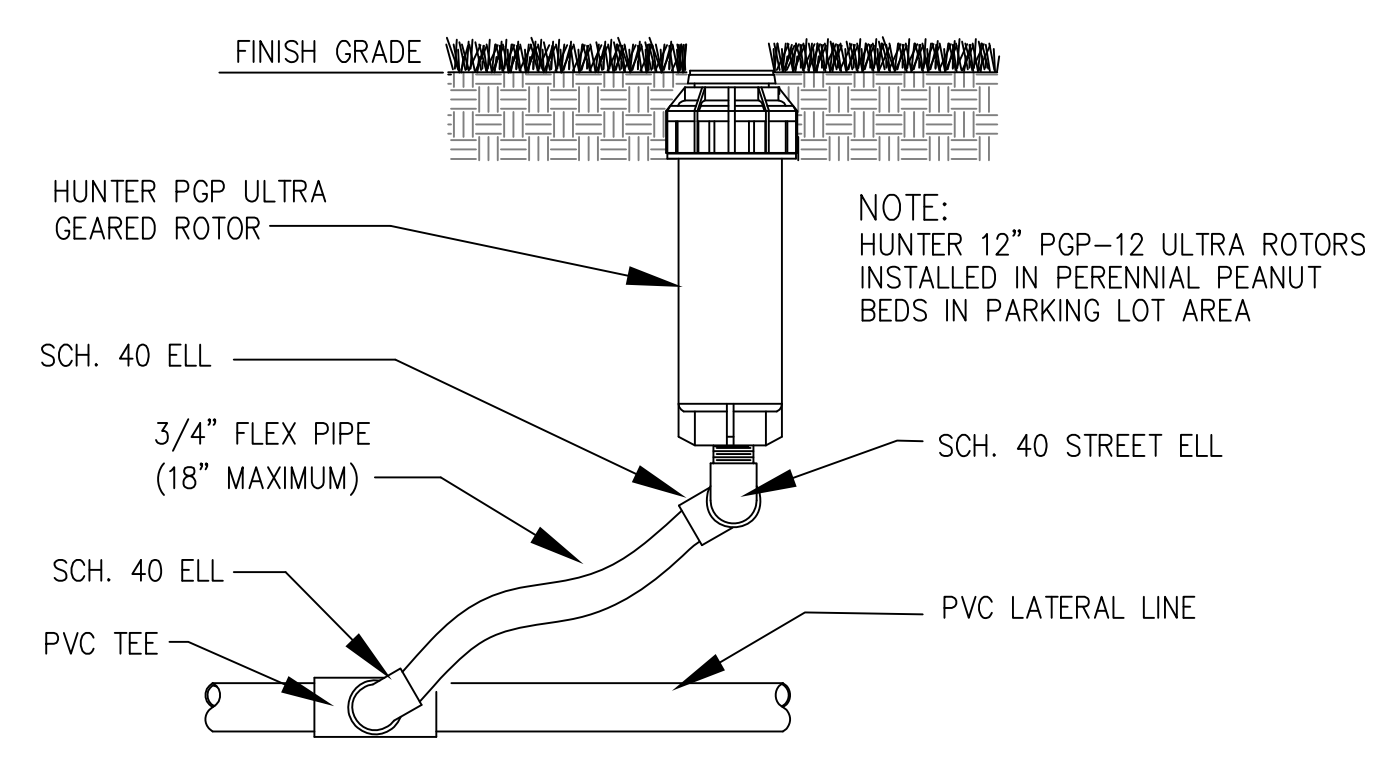
TORO 570Z-12P SPRINKLER

NTS



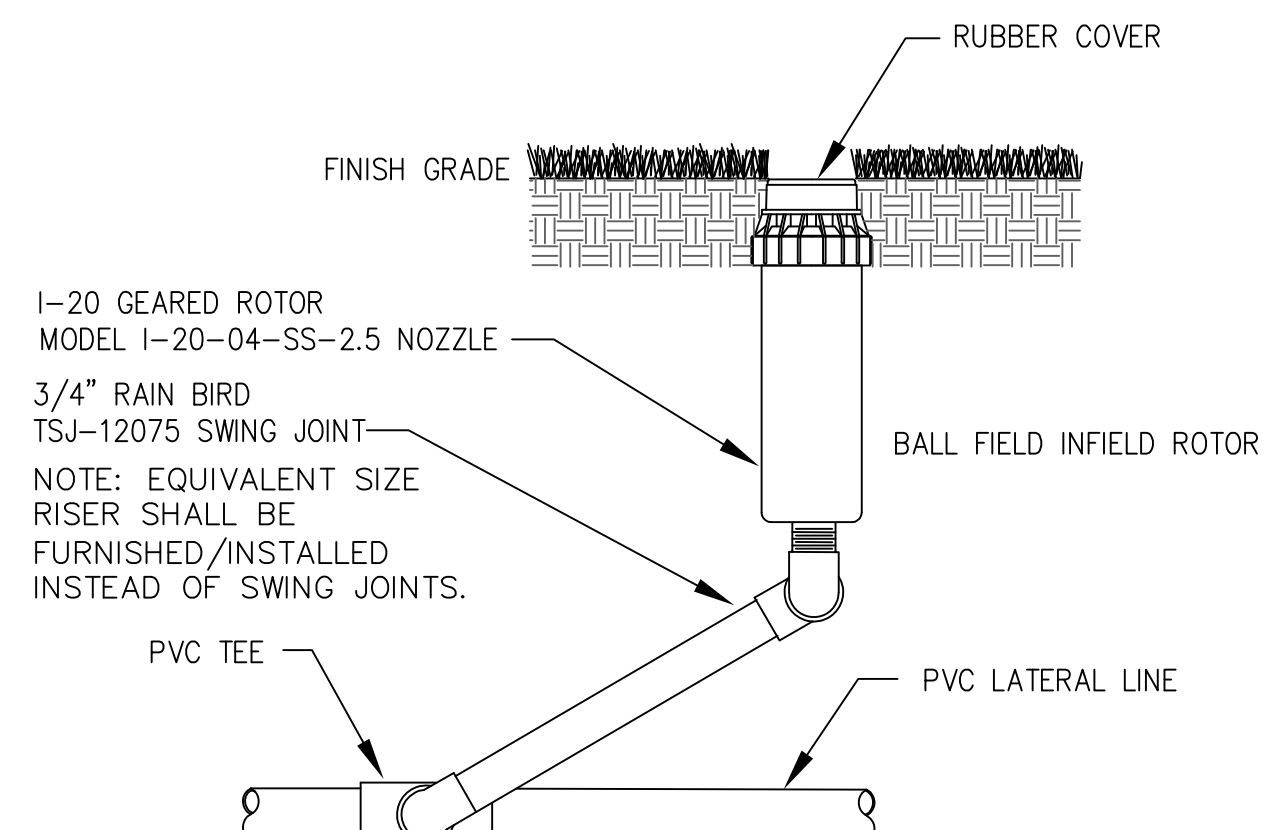
TORO FB SERIES BUBBLER

NTS



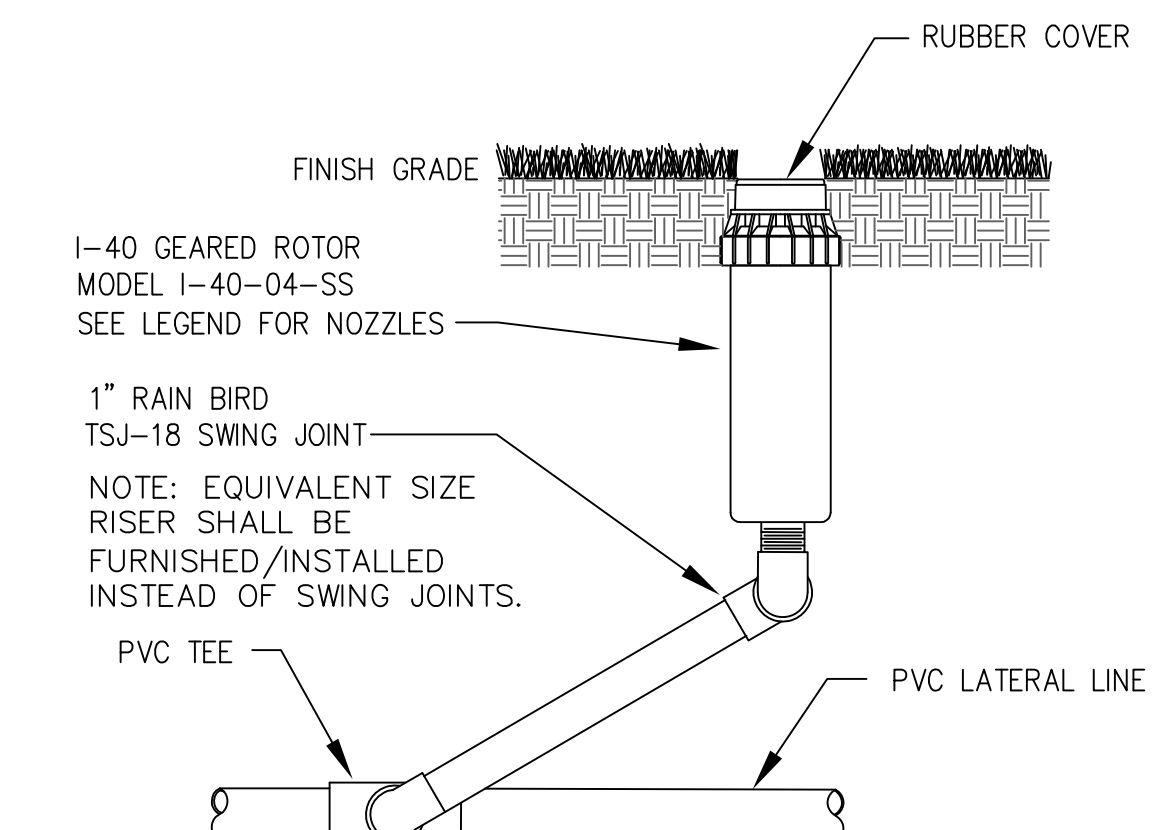
HUNTER 4 1/2" PGP ULTRA SERIES ROTOR

NTS



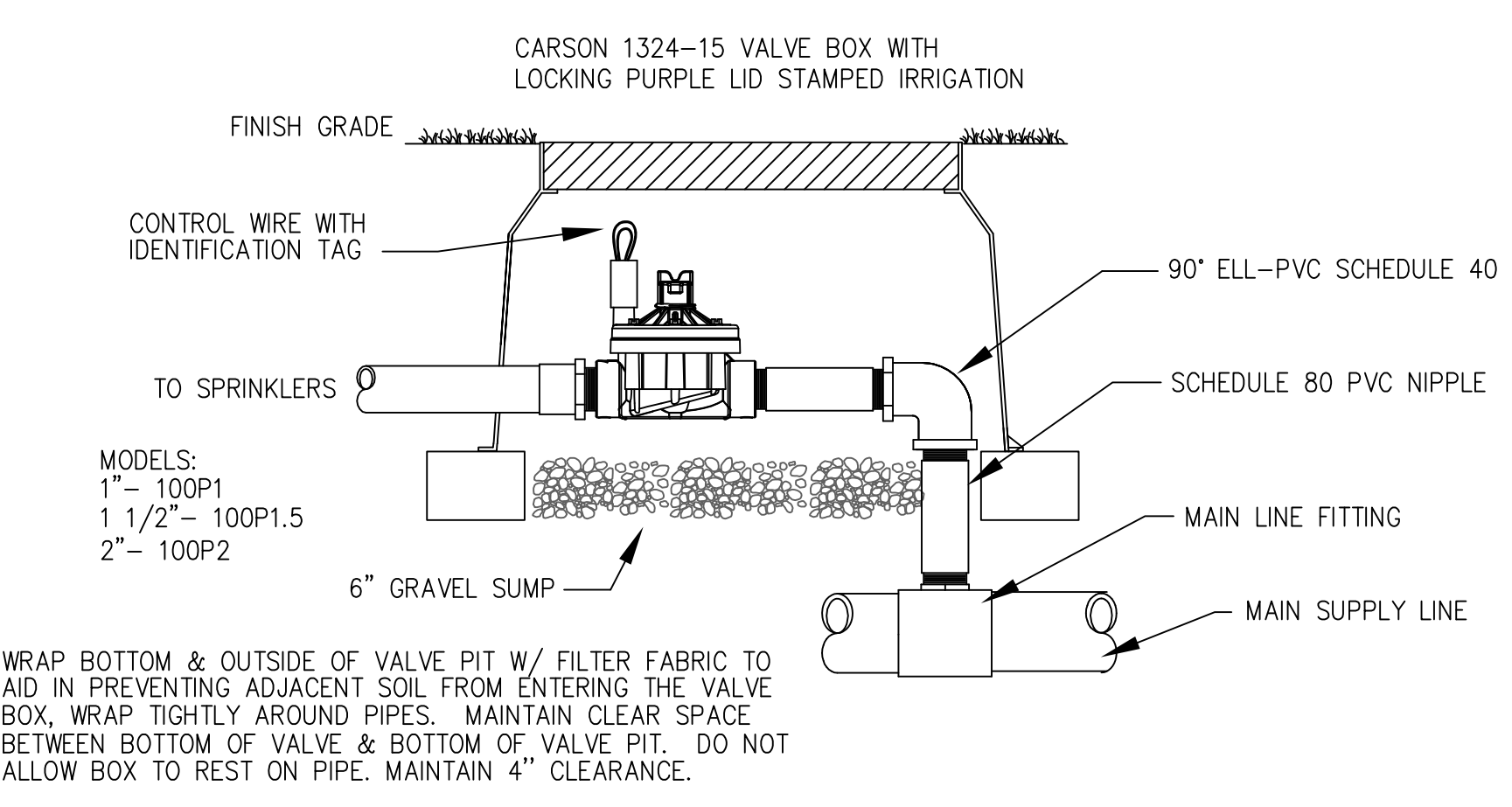
HUNTER I-20 GEAR ROTOR

NTS



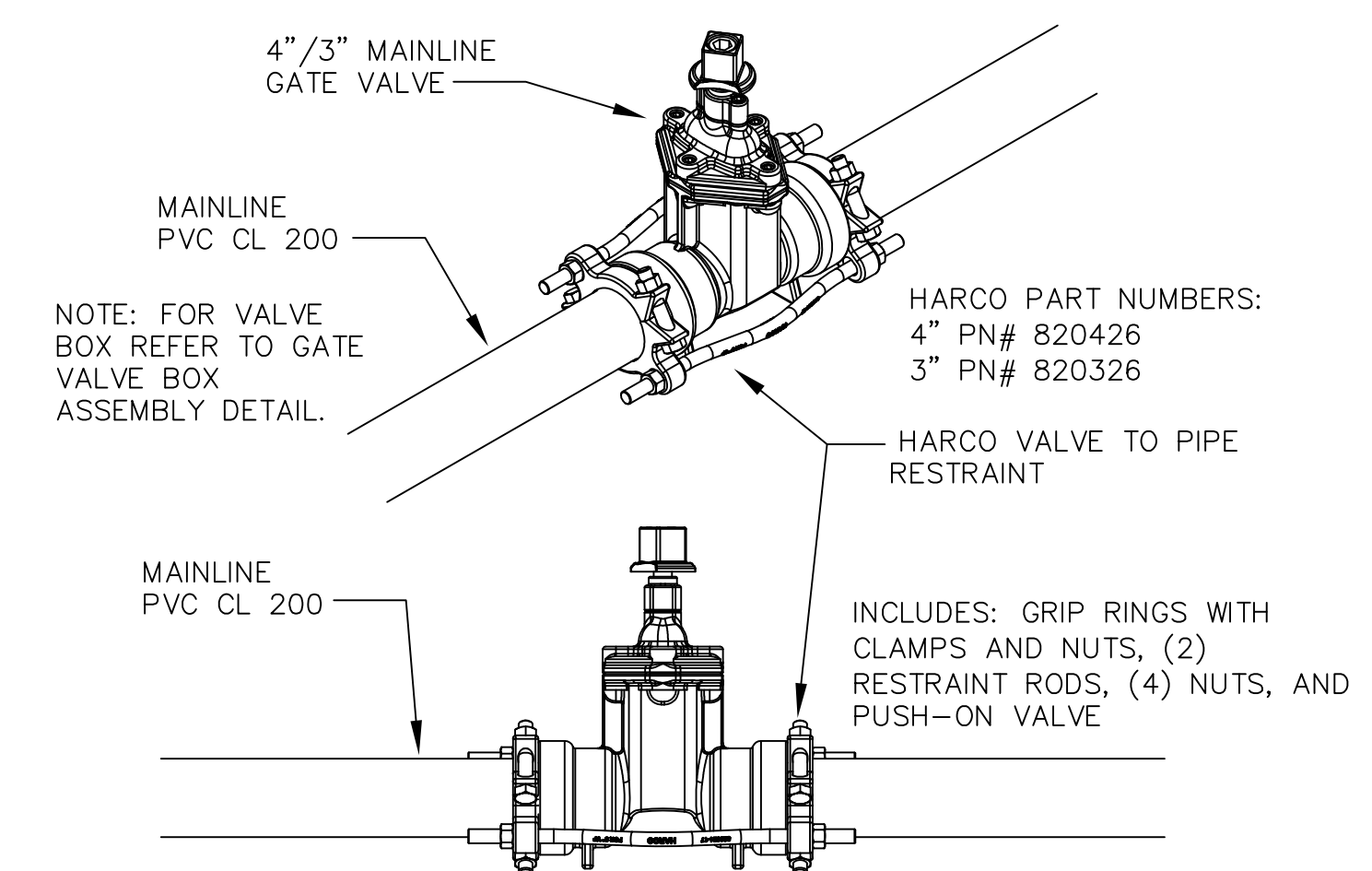
HUNTER I-40 GEAR ROTOR

NTS



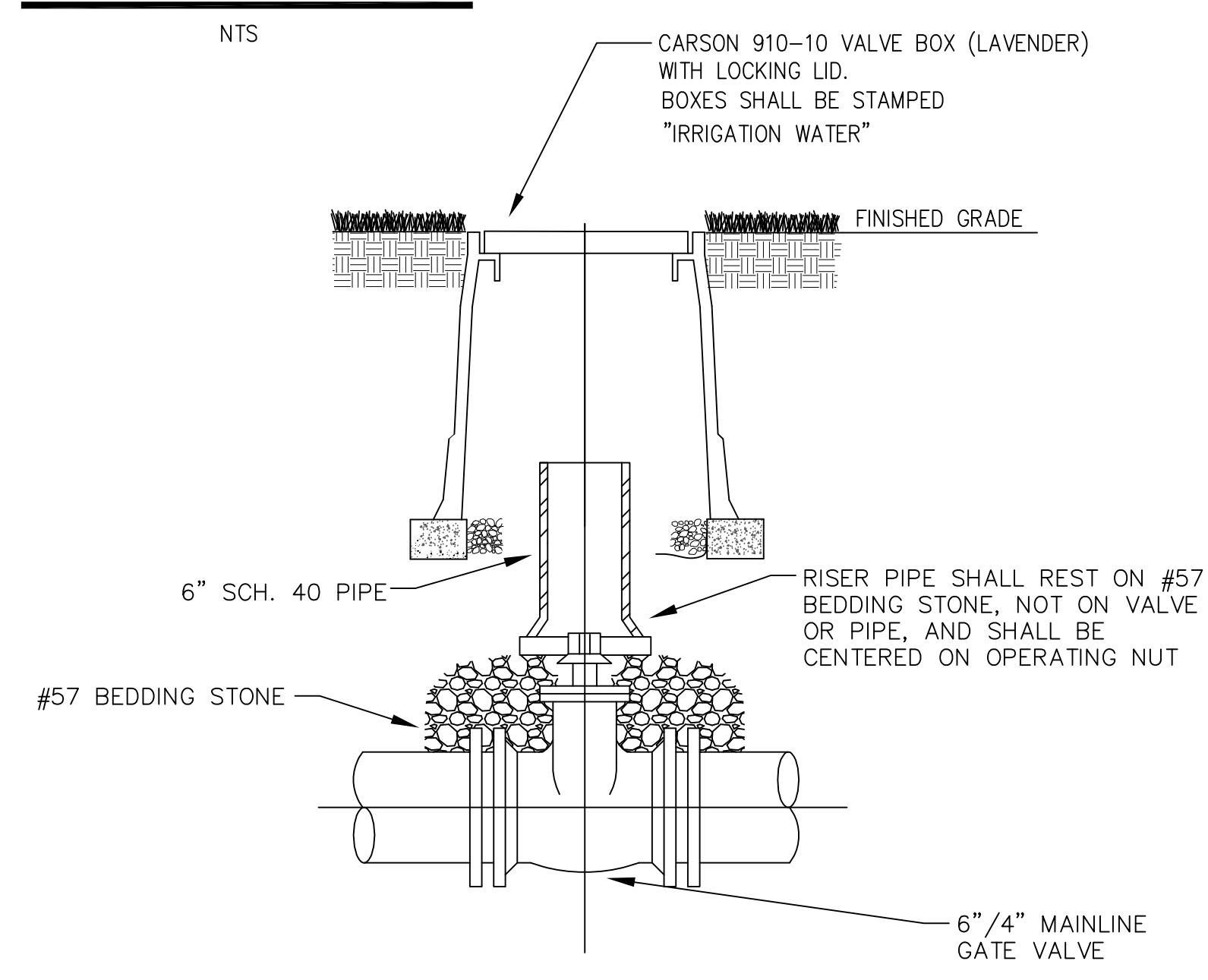
IRRITROL 100-S SERIES CONTROL VALVE

NTS



4 1/3" MAINLINE GATE ASSEMBLY

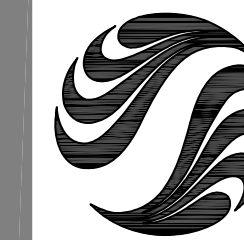
NTS



GATE VALVE BOX ASSEMBLY

NTS

V:\215611237\landscape\design\sheet\sheet1237-01-1050.dwg
2013/05/24 3:22 PM By: Brandon



Stantec
6900 Professional Pkwy East, Suite 100
Sarasota, Florida 34240, U.S.A.

Tel. 941.907.6900
Fax. 941.907.6910
www.stantec.com

Contractor License # 120000000

Copyright Reserved

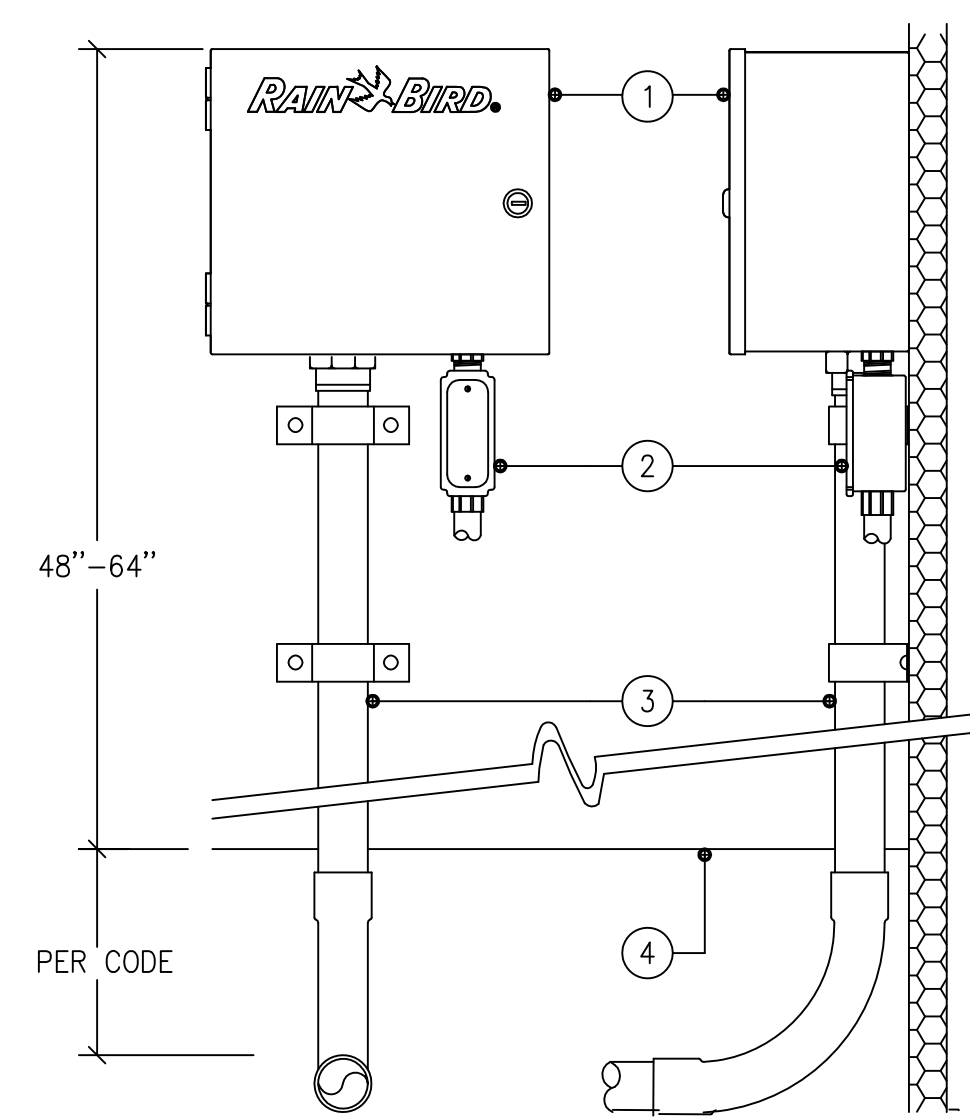
The Contractor shall verify and be responsible for all dimensions. DO NOT scale the drawing - any errors or omissions shall be reported to Stantec without delay. The Copyrights to all designs and drawings are the property of Stantec. Reproduction or use for any purpose other than that authorized by Stantec is forbidden.

Consultants

Colborn Design Group, Inc.
803 87th St. Cl. NW, Bradenton, FL 34209
Phone: (941) 795-7458

Legend

Notes



FRONT SECTION/ELEVATION
RIGHT-SIDE SECTION/ELEVATION

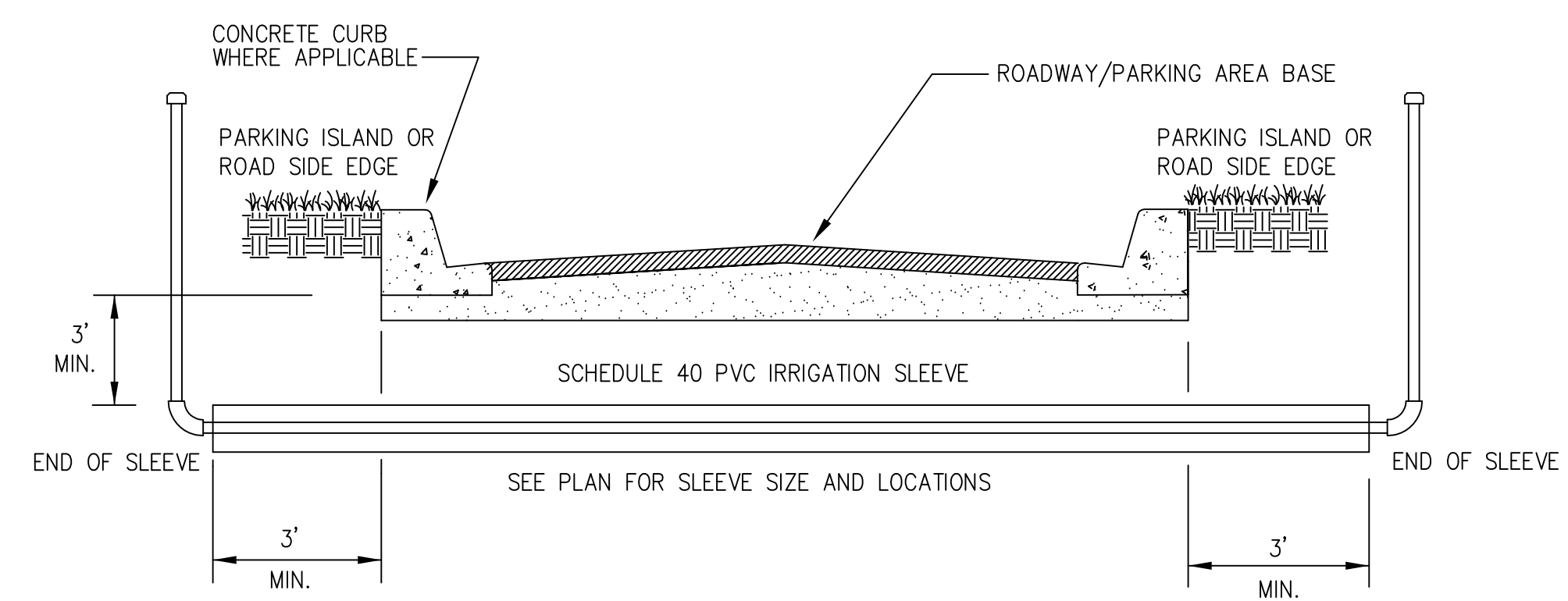
RAIN BIRD ESP-LXME CONTROLLER

NTS

- ① RAIN BIRD LXME CONTROLLER MODEL ESP12LXME WITH (2) ESPLXMSM12 MODULES
WALL MOUNT ANCHOR SECURELY TO WALL
- ② 3/4" CONDUIT FOR ELECTRICAL POWER CONDUCTORS PER LOCAL AND NATIONAL CODES
- ③ 2" CONDUIT FOR REMOTE CONTROL VALVES AND SENSOR WIRES
SECURE TO WALL WITH APPROPRIATE PIPE CLAMPS
- ④ FINISHED SURFACE

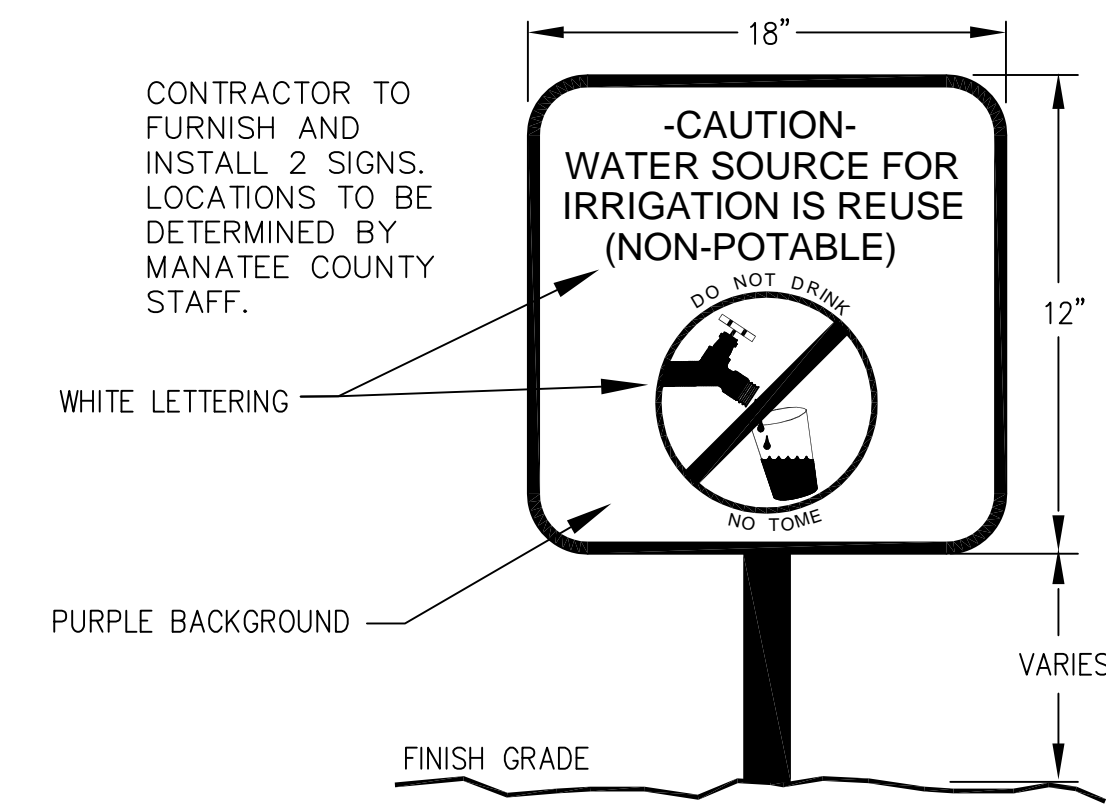
NOTES:

1. FOR EASE OF INSTALLATION INTO A CONTROLLER WITH MORE THAN 24 STATIONS, INSTALL A JUNCTION BOX AT THE BASE OF CONTROLLER AND TRANSITION LARGER VALVE AND COMMON WIRES FROM FIELD TO 18 AWG MULTI CONDUCTOR WIRE TO BE USED IN CONTROLLER.
2. USE STEEL CONDUIT FOR ABOVE GRADE AND SCH 40 PVC CONDUIT FOR BELOW GRADE CONDITIONS.
3. PROVIDE PROPER GROUNDING COMPONENTS TO ACHIEVE GROUND RESISTANCE OF 10 OHMS OR LESS.
4. MULTI-VALVE CAPACITY: MAXIMUM (5) 24 VAC 7VA SOLENIOD VALVES MAY RUN SIMULTANEOUSLY INCLUDING A MASTER VALVE, MAXIMUM (2) SOLENIOD VALVES PER STATION.



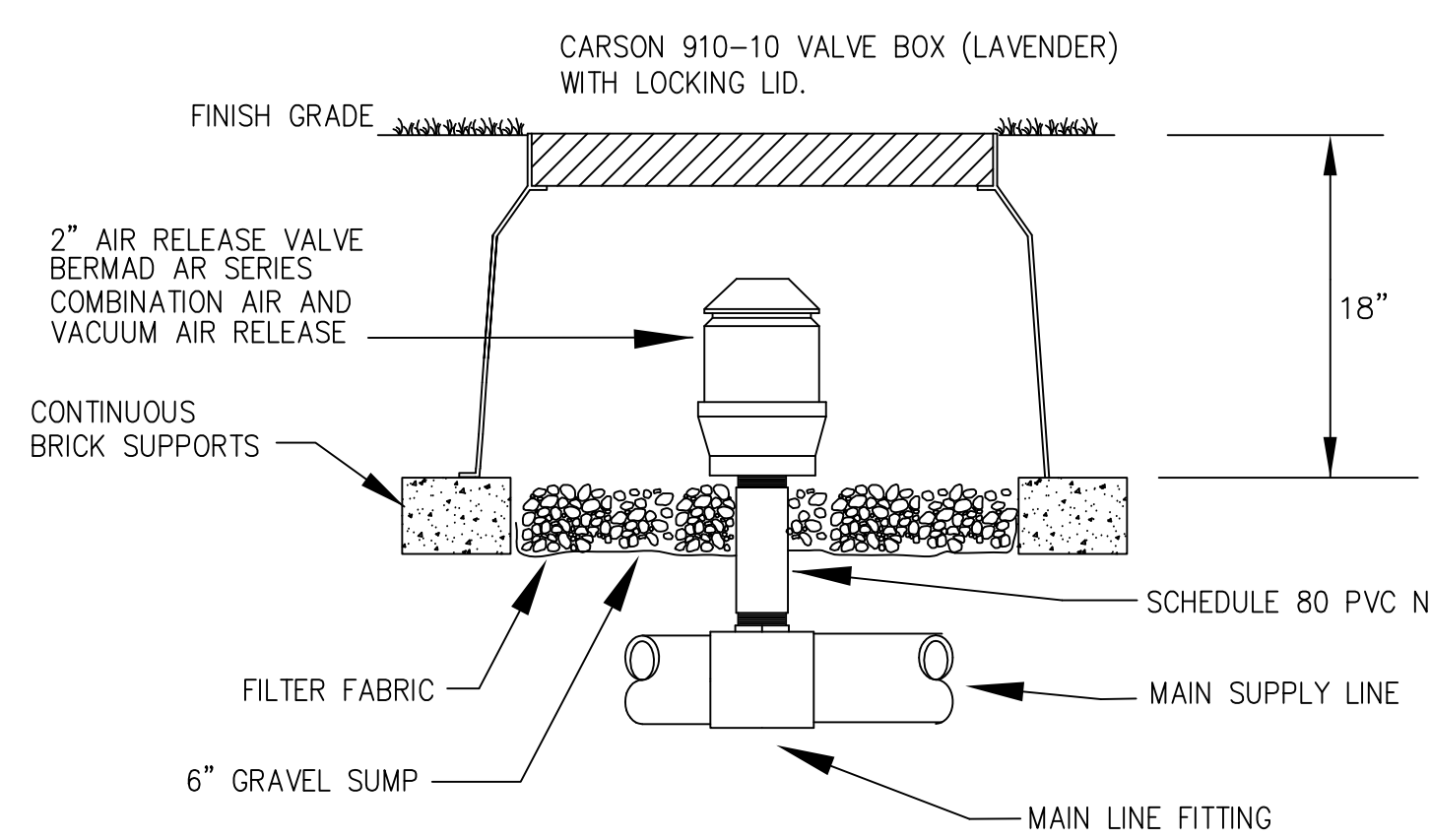
SLEEVE DETAIL

NTS



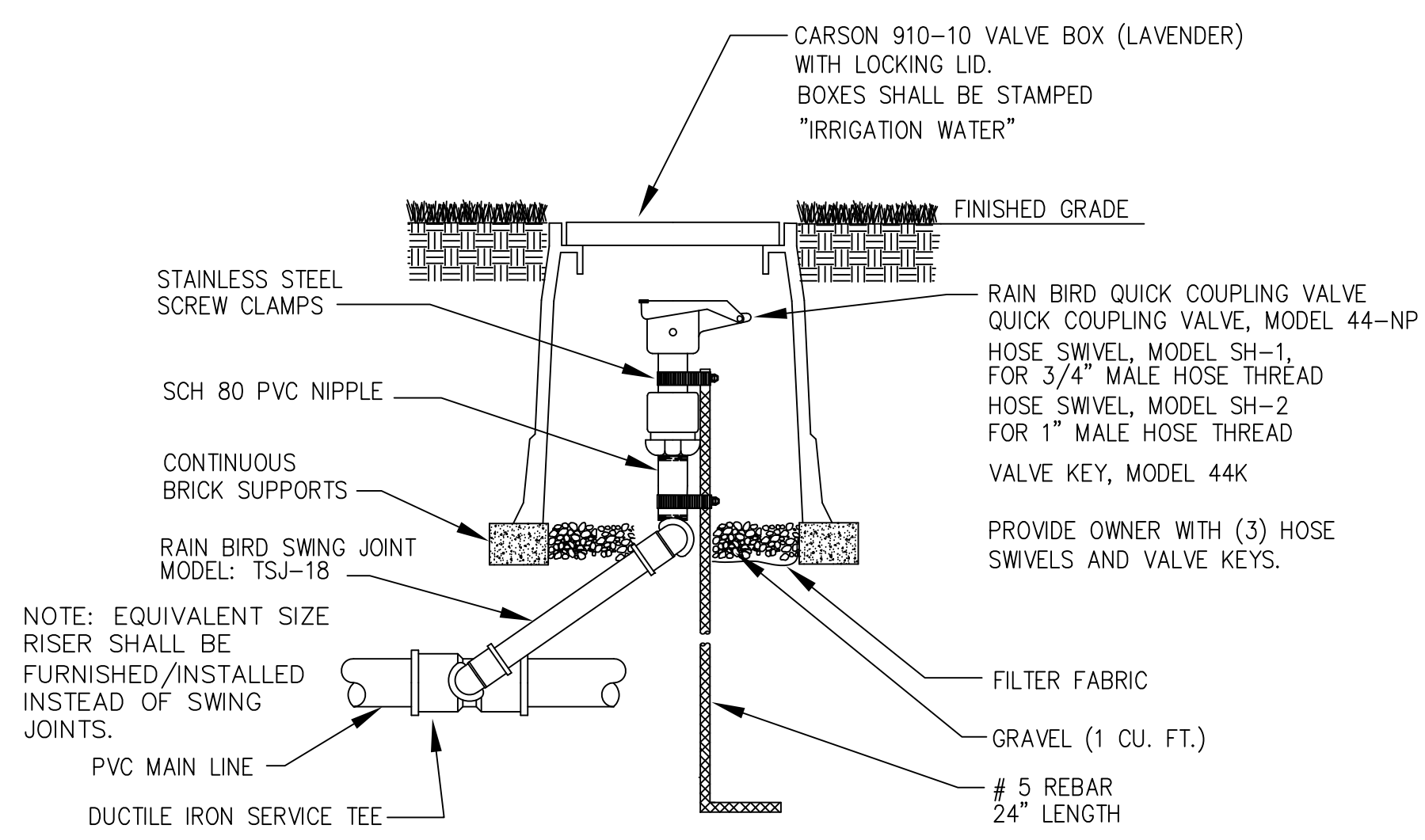
REUSE WATER SIGN

NTS



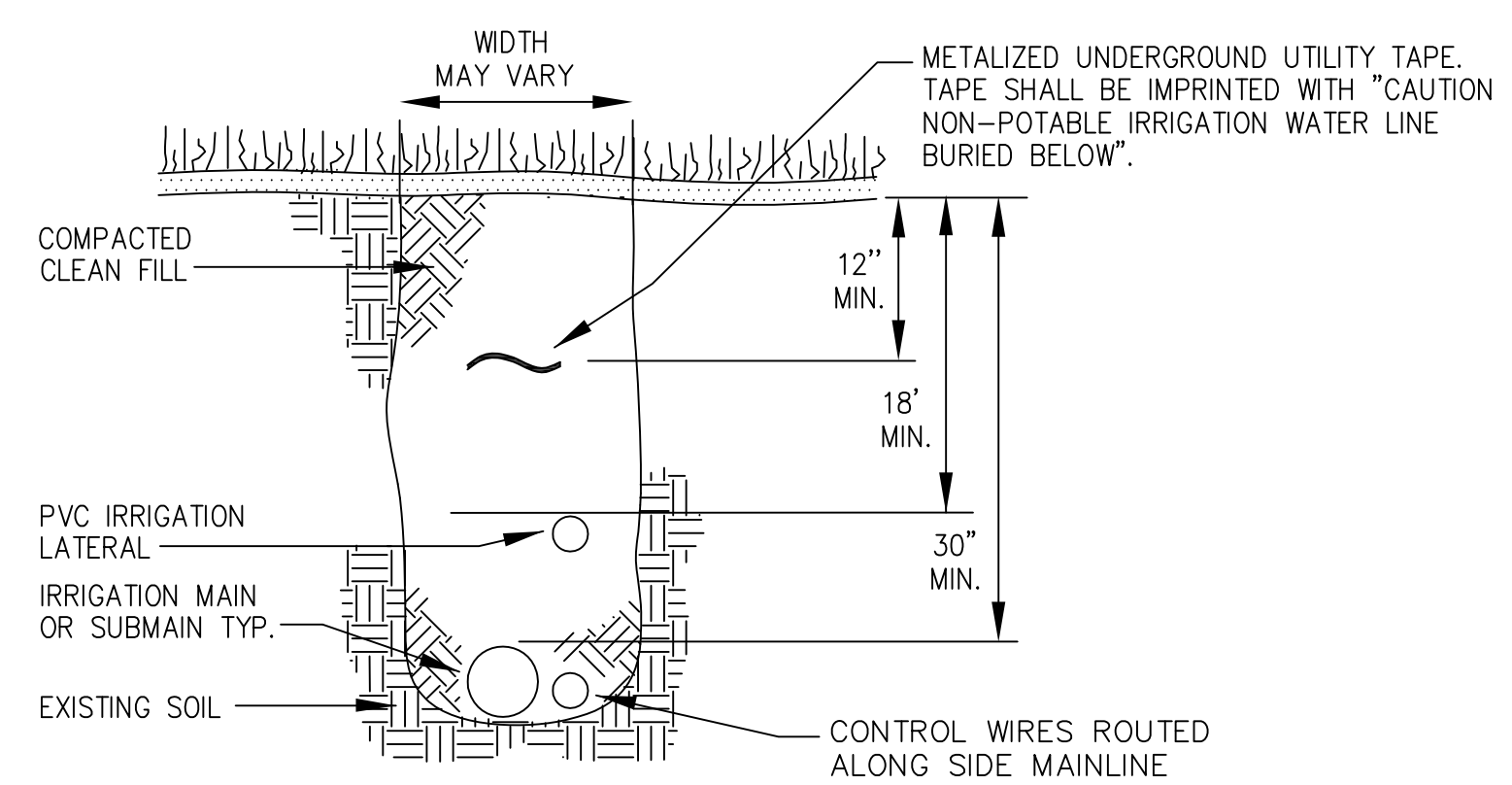
BERMAD AIR RELEASE VALVE

NTS



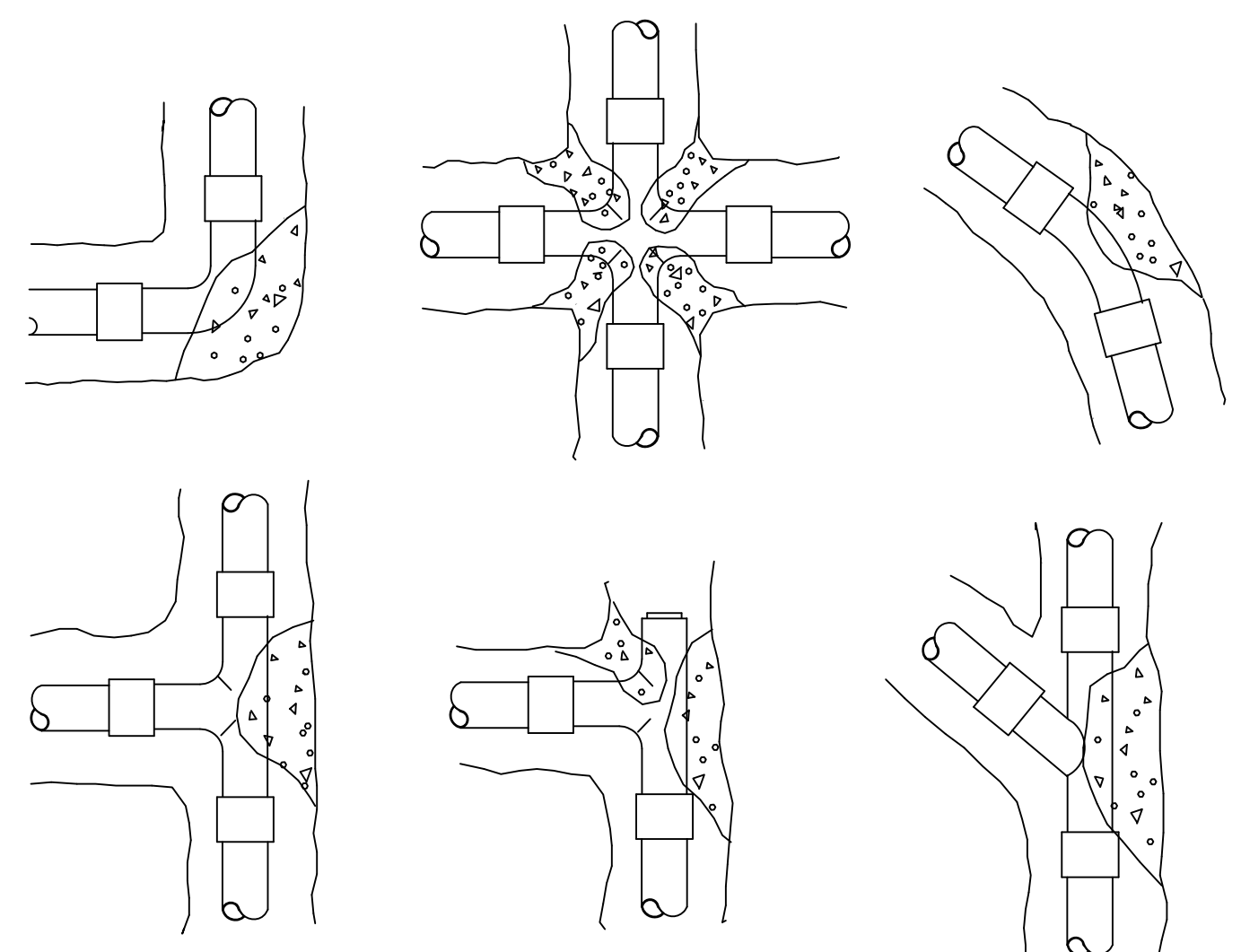
RAIN BIRD QUICK COUPLING VALVE

NTS



TRENCHING DETAIL

NTS



INSTALLATION NOTES

1. 3000 PSI CONCRETE OR BETTER IS TO BE USED FOR THRUST BLOCKS.
2. FOR 45/90° FITTINGS, MINIMUM OF 2 CUBIC FEET OF CONCRETE TO BE USED.
3. FOR 22 1/2° FITTINGS, MINIMUM OF 0.5 CUBIC FEET OF CONCRETE TO BE USED.
4. FOR TEES, MINIMUM OF 2 CUBIC FEET OF CONCRETE TO BE USED.

THRUST BLOCKS REQUIRED FOR IRRIGATION MAINLINE 2 1/2" AND LARGER.

THRUST BLOCK REINFORCEMENT

NTS

Revision	By	Appd.	MM.DD.YY	
3. REVISE SWING JOINT NOTE TO REQUIRE RISER	DJB	ASM	06.24.13	
2. 100% PLAN SET	ASM	SAB	02.22.13	
1. 90% PLAN SET	ASM	SAB	02.13.13	
Issued	By	Appd.	MM.DD.YY	
File Name:	ASM	SAB	12.04.12	
	Dwn.	Chkd.	Dsgn.	MM.DD.YY

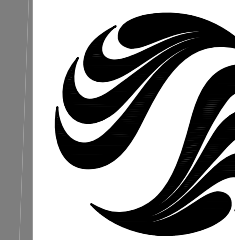
Client/Project
Manatee County Board of County Commissioners

Blackstone Park Expansion
City of Palmetto, Florida

Title
LANDSCAPE IRRIGATION DETAILS

Project No. 215611237	Scale 15 30 45 75
Drawing No.	Sheet of Revision

V:\215611237\landscape\design\drawing\sheet\215611237-01-1500.dwg
2013/05/24 3:24 PM By: Brandon



Stantec
6900 Professional Pkwy East, Suite 100
Sarasota, Florida 34240, U.S.A.

Tel. 941.907.6900
Fax. 941.907.6910
www.stantec.com

Continued from sheet #10 - Florida License #12-000170

Copyright Reserved

The Contractor shall verify and be responsible for all dimensions. DO NOT scale the drawing - any errors or omissions shall be reported to Stantec without delay. The Copyrights to all designs and drawings are the property of Stantec. Reproduction or use for any purpose other than that authorized by Stantec is forbidden.

Consultants

Colborn Design Group, Inc.
803 87th St. Cl. NW, Bradenton, FL 34209
Phone: (941) 795-7458

Legend

Notes

Revision	By	Appd.	MM.DD.YY
2. 100% PLAN SET	ASM	SAB	02.22.13
1. 90% PLAN SET	ASM	SAB	02.13.13
Issued	By	Appd.	MM.DD.YY
File Name:	ASM	SAB	12.04.12
	Dwn.	Chkd.	Dsgn.
			MM.DD.YY

SCOTT A. BUTTAR, L.A.
FLORIDA LICENSE NO. 0601795

Client/Project

Manatee County Board of County Commissioners

Blackstone Park Expansion

City of Palmetto, Florida

Title

LANDSCAPE
IRRIGATION NOTES

Project No.

215611237

Drawing No.

LI-601

Scale

15 30 45 75

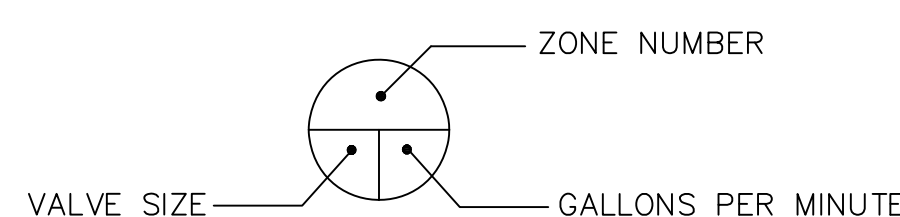
Sheet

of 0

CONTROLLER SCHEDULE

ZONE	GPM	VALVE SIZE	TYPE
1	23.1	1 1/2"	ROTOR
2	30.1	1 1/2"	SPRAY PLANTS
3	66.1	2"	SPRAY TURF
4	78.1	2"	SPRAY TURF
5	75.9	2"	ROTOR PLANTS
6	57.1	2"	SPRAY PLANTS
7	58.8	2"	ROTOR
8	56.3	2"	SPRAY TURF
9	72.2	2"	SPRAY TURF
10	53.7	2"	SPRAY TURF
11	67.5	2"	ROTOR
12	31.6	1 1/2"	ROTOR
13	52.5	2"	ROTOR
14	49.2	2"	SPRAY TURF
15	68.9	2"	SPRAY PLANTS
16	44.6	1 1/2"	SPRAY PLANTS
17	43.7	1 1/2"	ROTOR
18	64.2	2"	SPRAY PLANTS
F1-1	75.5	2"	FIELD 1 ROTOR
F1-2	54.0	2"	FIELD 1 ROTOR
F1-3	56.5	2"	FIELD 1 ROTOR
F1-4	75.5	2"	FIELD 1 ROTOR
F1-5	10.0	1"	FIELD 1 ROTOR
F1-6	17.5	1"	FIELD 1 ROTOR
F2-1	75.5	2"	FIELD 2 ROTOR
F2-2	54.0	2"	FIELD 2 ROTOR
F2-3	56.5	2"	FIELD 2 ROTOR
F2-4	75.5	2"	FIELD 2 ROTOR
F2-5	10.0	1"	FIELD 2 ROTOR
F2-6	17.5	1"	FIELD 2 ROTOR
F3-1	75.5	2"	FIELD 3 ROTOR
F3-2	54.0	2"	FIELD 3 ROTOR
F3-3	56.5	2"	FIELD 3 ROTOR
F3-4	75.5	2"	FIELD 3 ROTOR
F3-5	10.0	1"	FIELD 3 ROTOR
F3-6	17.5	1"	FIELD 3 ROTOR

IRRIGATION DESIGN BASE: 180 GPM AT 60 PSI AT POINT OF CONNECTION.
CONTRACTOR HAS OPTION OF PROGRAMMING CONTROLLER TO ALLOW TWO OR MORE ZONES TO RUN SIMULTANEOUSLY. DO NOT EXCEED 180 GPM DESIGN BASE.
*NOTE: AN ADDITIONAL MODULE (4, 8, OR 12 STATION) CAN BE ADDED FOR FUTURE ZONES.



IRRIGATION NOTES

- THE HEAD LAYOUT HAS BEEN DESIGNED TO PROVIDE 100% COVERAGE. ANY CHANGES MADE IN THE HEAD LAYOUT DUE TO FIELD CONDITIONS SHALL BE IN ACCORDANCE WITH THESE STANDARDS.
- SET SPRAY HEADS 3" AND ROTORS 6" IN FROM BACK OF CURB OR 12" IF PAVEMENT HAS NO CURB.
- VERIFY LOCATIONS OF ALL UNDERGROUND UTILITIES PRIOR TO INSTALLATION OF IRRIGATION SYSTEM. MAINLINE SHALL NOT BE LOCATED WITHOUT PRIOR APPROVAL OF THE PROJECT MANAGER AND THE LANDSCAPE ARCHITECT. ALL UTILITIES AND STRUCTURES MAY NOT BE SHOWN ON THESE PLANS—CONTRACTOR SHALL VERIFY.
- ALL PRESSURE MAINLINES UNDER ASPHALT PAVEMENT SHALL BE WITHIN SLEEVES AS NOTED. IRRIGATION COMMUNICATION CABLE SHALL HAVE ITS OWN SEPARATE SLEEVE. LATERAL LINES SHALL BE CONTAINED WITHIN THEIR OWN SLEEVE WHERE SHOWN ON THE PLAN.
- ALL SLEEVES UTILIZED BY THE IRRIGATION CONTRACTOR, WHETHER INSTALLED BY HIM OR NOT, SHALL BE LOCATED ON THE "AS-BUILT" DRAWINGS. THE DEPTH BELOW FINISH GRADE, TO THE NEAREST FOOT OF EACH END OF EACH SLEEVE SHALL BE NOTED AT EACH SLEEVE LOCATION ON THE "AS-BUILT" DRAWINGS.
- MAINLINE AND VALVES ARE SHOWN IN SCHEMATIC FORM. LOCATE AS NOTED ON PLANS.
- LOCATE ALL VALVES A MINIMUM OF 24" FROM BACK OF CURB OR EDGE OF PAVEMENT, UNLESS NOTED OTHERWISE.
- ALL UNSIZED PIPE SHALL BE 3/4" UNLESS OTHERWISE NOTED.
- ALL VALVES SHALL BE INSTALLED IN A CARSON LAVENDER COLOR VALVE BOX WITH LOCKING LID AND STAMPED "IRRIGATION WATER". SEE DETAILS FOR MODEL NUMBERS.
- IRRIGATION CONTRACTOR SHALL SECURE ANY AND ALL NECESSARY PERMITS FOR THE WORK PRIOR TO COMMENCEMENT OF HIS OPERATIONS ON-SITE. COPIES OF THE PERMITS SHALL BE SENT TO THE OWNER/GENERAL CONTRACTOR. WORK IN THE R.O.W. SHALL CONFORM TO THE STANDARDS AND SPECIFICATIONS OF LOCAL AND/OR STATE HIGHWAY JURISDICTION.
- VERIFY POINT OF CONNECTION AND IRRIGATION CONTROLLER LOCATION AT PROJECT SITE WITH OWNER.
- ELECTRIC SERVICE TO THE IRRIGATION CONTROLLER SHALL BE PROVIDED BY THE GENERAL CONTRACTOR.
- ALL 24 VAC WIRING SHALL BE OF DIRECT BURIAL COPPER WIRE AS FOLLOWS:
CONTROL WIRES - #14
COMMON WIRES - #12
- DURING INSTALLATION AND UPON COMPLETION OF THE IRRIGATION SYSTEM, VALVES SHALL BE WIRED TO THE CONTROLLER AS PER THE IRRIGATION ZONE NUMBERS.
- ALL CONNECTIONS TO THE IRRIGATION MAINLINE SHALL BE ACCOMPLISHED USING HARCO DUCTILE IRON SERVICE TEES. ALL CHANGES IN DIRECTION OF THE MAINLINE SHALL BE ACCOMPLISHED USING HARCO DUCTILE IRON 45 DEGREE ELBOWS.
- CONTRACTOR SHALL INSTALL METALIZED IDENTIFICATION TAPE ABOVE ALL IRRIGATION MAINLINES AS SHOWN ON TRENCHING DETAIL.
- INSTALLATION OF WORK SHALL BE COORDINATED WITH OTHER CONTRACTORS IN SUCH A MANNER AS TO ALLOW FOR A SPEEDY AND ORDERLY COMPLETION OF ALL WORK ON THE SITE.
- IRRIGATION COMPONENTS SHALL BE DESIGNATED FOR RECLAIMED WATER APPLICATION AS REQUIRED PER LOCAL CODE.
- PRODUCTS SHALL BE AS SPECIFIED.

IRRIGATION LEGEND

TORO MPR PLUS SPRAY NOZZLES
570Z-6P TURF AREAS
570Z-12P TURF AREAS

- 15-Q 27' TRAJECTORY
- 15-T 27' TRAJECTORY
- 15-H 27' TRAJECTORY
- 15-TQ 27' TRAJECTORY
- 15-F 27' TRAJECTORY
- 12-Q 23' TRAJECTORY
- 12-T 23' TRAJECTORY
- 12-H 23' TRAJECTORY
- 12-TQ 23' TRAJECTORY
- 12-F 23' TRAJECTORY
- 10-Q 12' TRAJECTORY
- 10-T 12' TRAJECTORY
- 10-H 12' TRAJECTORY
- 10-F 12' TRAJECTORY
- 8-Q 5' TRAJECTORY
- 8-H 5' TRAJECTORY
- 4-EST
- 4-SST
- 4-CST
- TORO FB-25-PC BUBBLER, (ROTOR ZONES)
- TORO FB-50-PC BUBBLER, (SPRAY ZONES)
- HUNTER PGP ULTRA ROTOR PGP-04-2.0 NOZZLE, 90° ADJUSTABLE
- HUNTER PGP ULTRA ROTOR PGP-04-3.0 NOZZLE, 180° ADJUSTABLE
- HUNTER PGP ULTRA ROTOR PGP-04-5.0 NOZZLE, 270° ADJUSTABLE
- HUNTER PGP ULTRA ROTOR PGP-04-6.0 NOZZLE, 360° ADJUSTABLE
- HUNTER PGP ULTRA ROTOR PGP-04-2.0 LA NOZZLE, 90° ADJUSTABLE
- HUNTER PGP ULTRA ROTOR PGP-04-2.5 LA NOZZLE, 180° ADJUSTABLE
- HUNTER PGP ULTRA ROTOR PGP-04-3.5 LA NOZZLE, 270° ADJUSTABLE
- HUNTER PGP ULTRA ROTOR PGP-04-4.5 LA NOZZLE, 360° ADJUSTABLE
- HUNTER PGP ULTRA ROTOR PGP-12-2.0 LA NOZZLE, 90° ADJUSTABLE
- HUNTER PGP ULTRA ROTOR PGP-12-2.5 LA NOZZLE, 180° ADJUSTABLE
- HUNTER PGP ULTRA ROTOR PGP-12-4.5 LA NOZZLE, 360° ADJUSTABLE
- HUNTER 1-20 ROTOR 1-20-04-SS-2.5 NOZZLE, 180° ADJUSTABLE
- HUNTER 1-40 ROTOR 1-40-04-SS-40 NOZZLE, 90° ADJUSTABLE
- HUNTER 1-40 ROTOR 1-40-04-SS-43 NOZZLE, 180° ADJUSTABLE
- HUNTER 1-40 ROTOR 1-40-04-SS-43 NOZZLE, 360° ADJUSTABLE
- RAIN BIRD ESP-LXME WALL MOUNT CONTROLLER. SEE DETAIL FOR MODEL COMPONENTS, PROVIDE CONNECTION & MATERIALS NECESSARY FOR CONTROLLER INSTALLATION AND OPERATION.
- HUNTER MINI-CLIK RAIN SENSOR
- IRRITROL 100-S SERIES ELECTRIC CONTROL VALVE
- BERMAD AR SERIES COMBINATION AIR AND VACUUM RELEASE VALVE
- RAIN BIRD MODEL 44-NP 1" QUICK COUPLING VALVE
- HARCO RESTRAINT GATE VALVE, INSTALLED PER LINE SIZE AND IN 12" VALVE BOX
- CLASS 200 PVC GASKETED MAINLINE W/DUCTILE IRON FITTINGS, PANTONE PURPLE 522C
- CLASS 200 PVC LATERAL LINE, SOLVENT WELD, PANTONE PURPLE 522C
- SCHEDULE 40 PVC SLEEVE (SEE PLAN FOR SLEEVE SIZE)
- 8" MAINLINE SLEEVE
- 6" MAINLINE SLEEVE
- 6" LATERAL SLEEVE
- 4" LATERAL SLEEVE
- 2" LATERAL SLEEVE
- 4" CONTROL WIRE SLEEVE