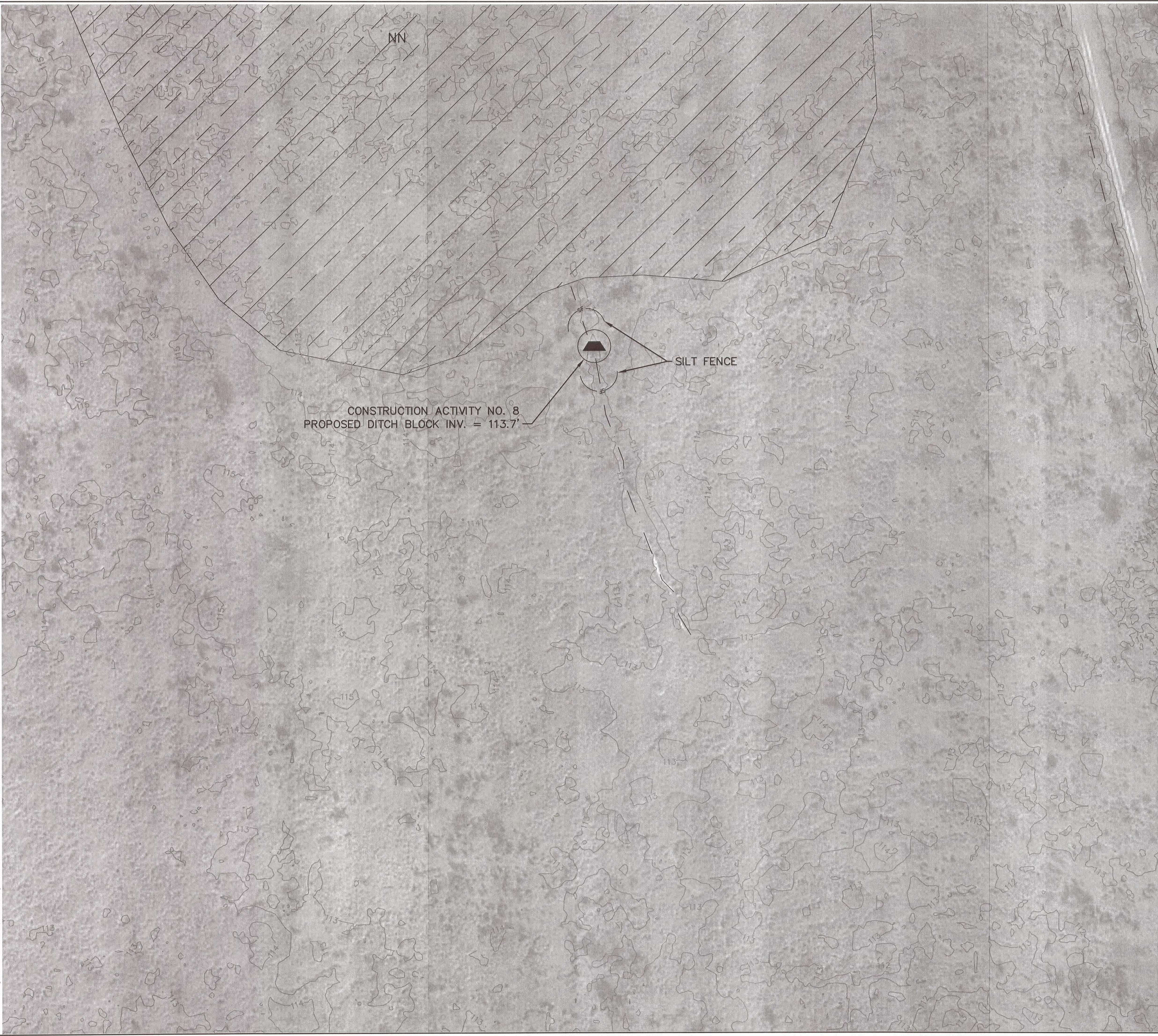


Plotted By: Wm. Jared Sheet: Set: DUETTE PRESERVE Layout: C409 SITE PLAN(2) October 21, 2014 05:44:21pm K:\LAK-Civil\14800006 - Duette Preserve Construction Plans\CADD\CONSTR\C400 SITE PLAN.dwg  
 This document, together with the concepts and designs presented herein, is intended only for the specific purpose and client for which it was prepared. Release of any improper reliance on this document without written authorization and adaptation by Kimley-Horn and Associates, Inc. shall be without liability to Kimley-Horn and Associates, Inc.

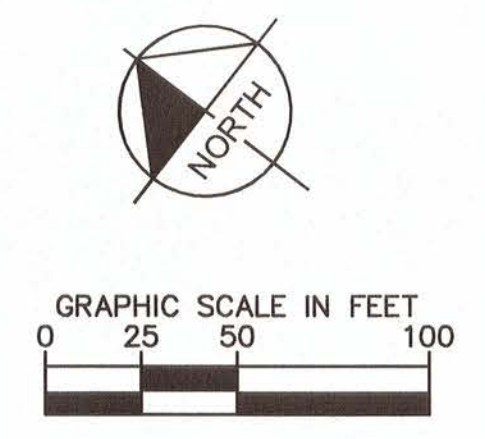


**LEGEND**

- PROPOSED DITCH BLOCK LOCATION
- EXISTING DITCH
- PROPOSED DITCH FILLING
- EXISTING WETLAND LIMITS
- PROJECT AREA BOUNDARY
- EXISTING PIPE
- PROPOSED PIPE
- DUETTE PRESERVE BOUNDARY
- SILT FENCE
- EXISTING CONTOUR

**NOTES**

1. REFER TO NOTES ON SHEET NO. C402



KHA PROJECT 14800006	DATE	OCT 2014	SCALE AS SHOWN	DESIGNED BY	JMW	DRAWN BY	JMW	CHECKED BY	RBC	DATE	BY
	SCALE	AS SHOWN		DESIGNED BY	JMW		DRAWN BY		JMW	CHECKED BY	RBC

**DUETTE PRESERVE WATERSHED IMPROVEMENTS**  
 PREPARED FOR  
 MANATEE COUNTY BOARD OF COUNTY COMMISSIONERS  
 MANATEE COUNTY FLORIDA

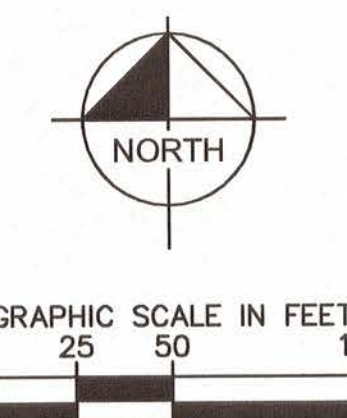
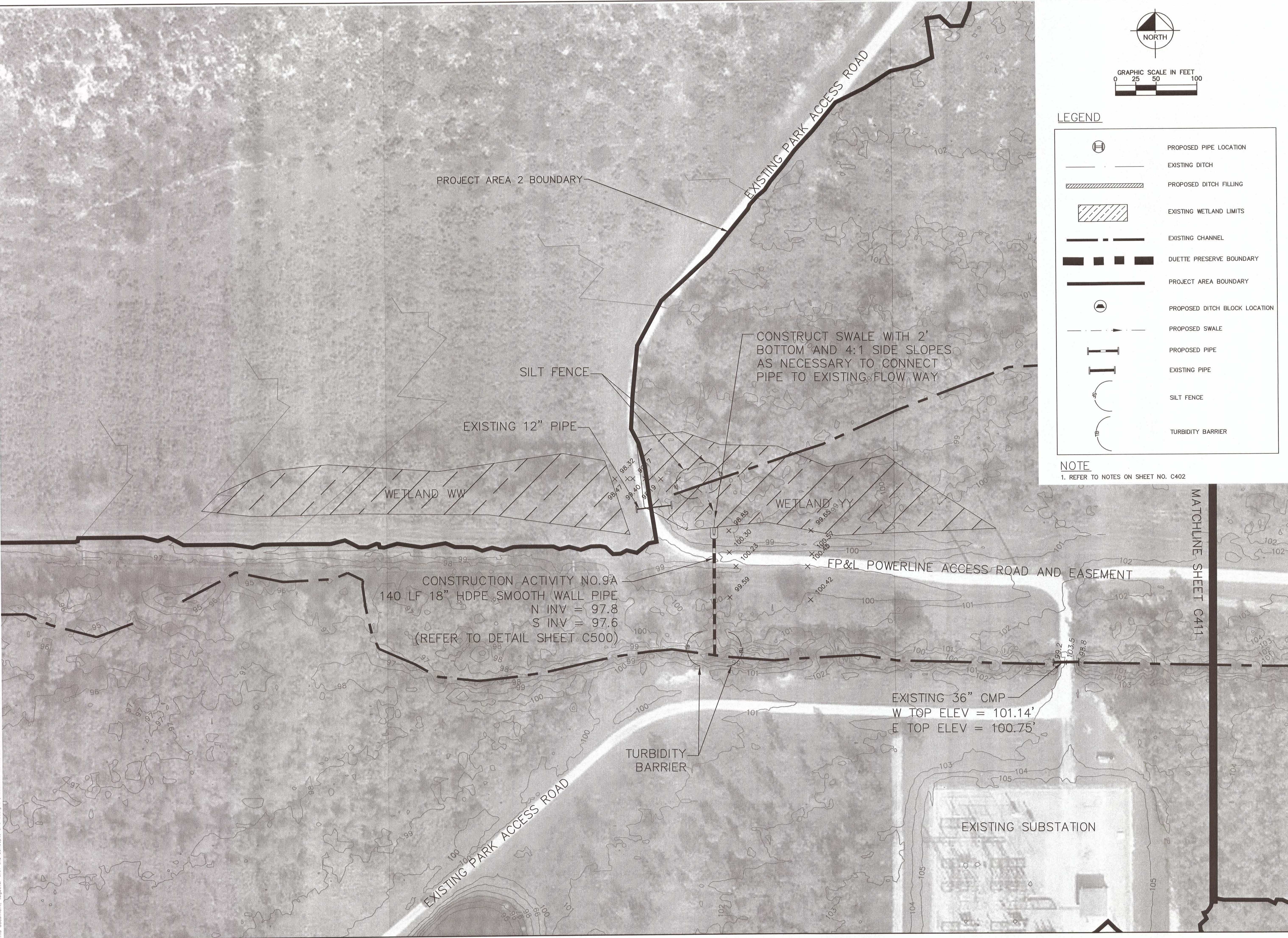
**GRADING AND DRAINAGE PLAN**

**Kimley Horn**  
 © 2014 KIMLEY-HORN AND ASSOCIATES, INC.  
 116 SOUTH KETCHUM AVENUE  
 PHOENIX, ARIZONA 85016  
 WWW.KIMLEY-HORN.COM  
 CA00000696

NO.	REVISIONS	DATE	BY



Plotted By: Wynn, Jared    Sheet: Sst:DUETTE PRESERVE    Layout: C410 SITE PLAN    December 23, 2014    09:20:11am    K:\LAK\_GIS\14800006 - Duette Preserve Construction Plans\CADD\CONSTR\C410 SITE PLAN.ctb  
 This document, together with the contracts and designs presented herein, is an instrument of service. It is intended only for the specific purpose and client for which it was prepared. Release of and approval of this document without written authorization and approval by Kimley-Horn and Associates, Inc. shall be without liability to Kimley-Horn and Associates, Inc.



**LEGEND**

- PROPOSED PIPE LOCATION
- EXISTING DITCH
- PROPOSED DITCH FILLING
- EXISTING WETLAND LIMITS
- DUETTE PRESERVE BOUNDARY
- PROJECT AREA BOUNDARY
- PROPOSED DITCH BLOCK LOCATION
- PROPOSED SWALE
- PROPOSED PIPE
- EXISTING PIPE
- SILT FENCE
- TURBIDITY BARRIER

**NOTE**  
 1. REFER TO NOTES ON SHEET NO. C402

NO.	REVISIONS	DATE	BY

**Kimley Horn**  
 © 2014 KIMLEY-HORN AND ASSOCIATES, INC.  
 116 SOUTH KENTUCKY AVENUE, LAKELAND, FL 33801  
 PHONE: 863-701-8702  
 WWW.KIMLEY-HORN.COM  
 CA00000696

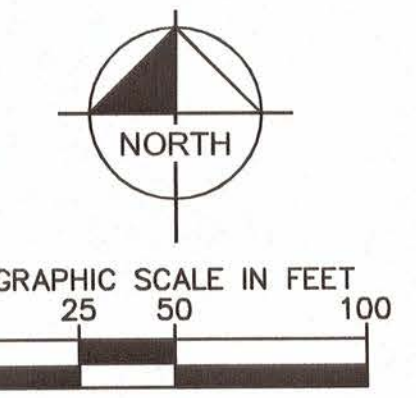
Professional Engineer  
 ROBERT BO COOPER  
 STATE OF FLORIDA  
 PROFESSIONAL ENGINEER NO. 12572  
 EXPIRES 12/31/2015  
 MAILED 11/17/2015

KHA PROJECT 14800006  
 DATE OCT 2014  
 SCALE AS SHOWN  
 DESIGNED BY JMW  
 DRAWN BY JMW  
 CHECKED BY REC  
 DATE

**DUETTE PRESERVE WATERSHED IMPROVEMENTS**  
 PREPARED FOR  
 MANATEE COUNTY BOARD OF COUNTY COMMISSIONERS  
 MANATEE COUNTY FLORIDA

SHEET NUMBER  
**C410**





**LEGEND**

	PROPOSED PIPE LOCATION
	EXISTING DITCH
	PROPOSED DITCH FILLING
	EXISTING WETLAND LIMITS
	EXISTING CHANNEL
	DUETTE PRESERVE BOUNDARY
	PROJECT AREA BOUNDARY
	EXISTING CHANNEL
	PROPOSED DITCH BLOCK LOCATION
	PROPOSED SWALE
	PROPOSED PIPE
	EXISTING PIPE
	SILT FENCE
	TURBIDITY BARRIER

**NOTE**  
1. REFER TO NOTES ON SHEET NO. 402

Plotted By: Wm. Jozed, Sheet Set: DUETTE\_PRESERVE\_Layout:C411 SITE PLAN December 23, 2014 09:34:39am K:\LAK-CIV\14800006 - Duette Preserve Construction Plans\CADD\CONSTR\C401 SITE PLAN latest.dwg  
 This document, together with the contracts and designs presented herein, is intended only for the specific purpose and client for which it was prepared. Resubmission of any part of this document without written authorization and adaptation by Kimley-Horn and Associates, Inc. shall be without liability to Kimley-Horn and Associates, Inc.

**Kimley»Horn**

© 2014 KIMLEY-HORN AND ASSOCIATES, INC.  
 116 SOUTH KENTUCKY AVENUE, LAKELAND, FL 33801  
 PHONE: 863-100-6702  
 WWW.KIMLEY-HORN.COM  
 CAG006898

No.	REVISIONS	DATE	BY

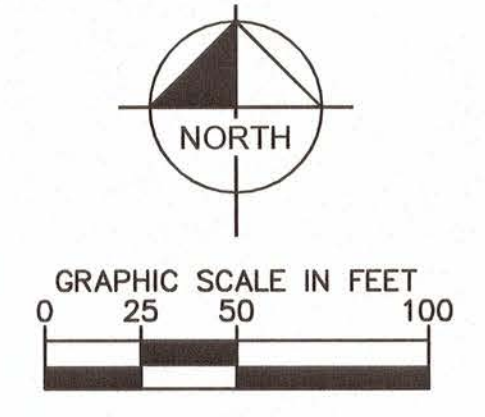
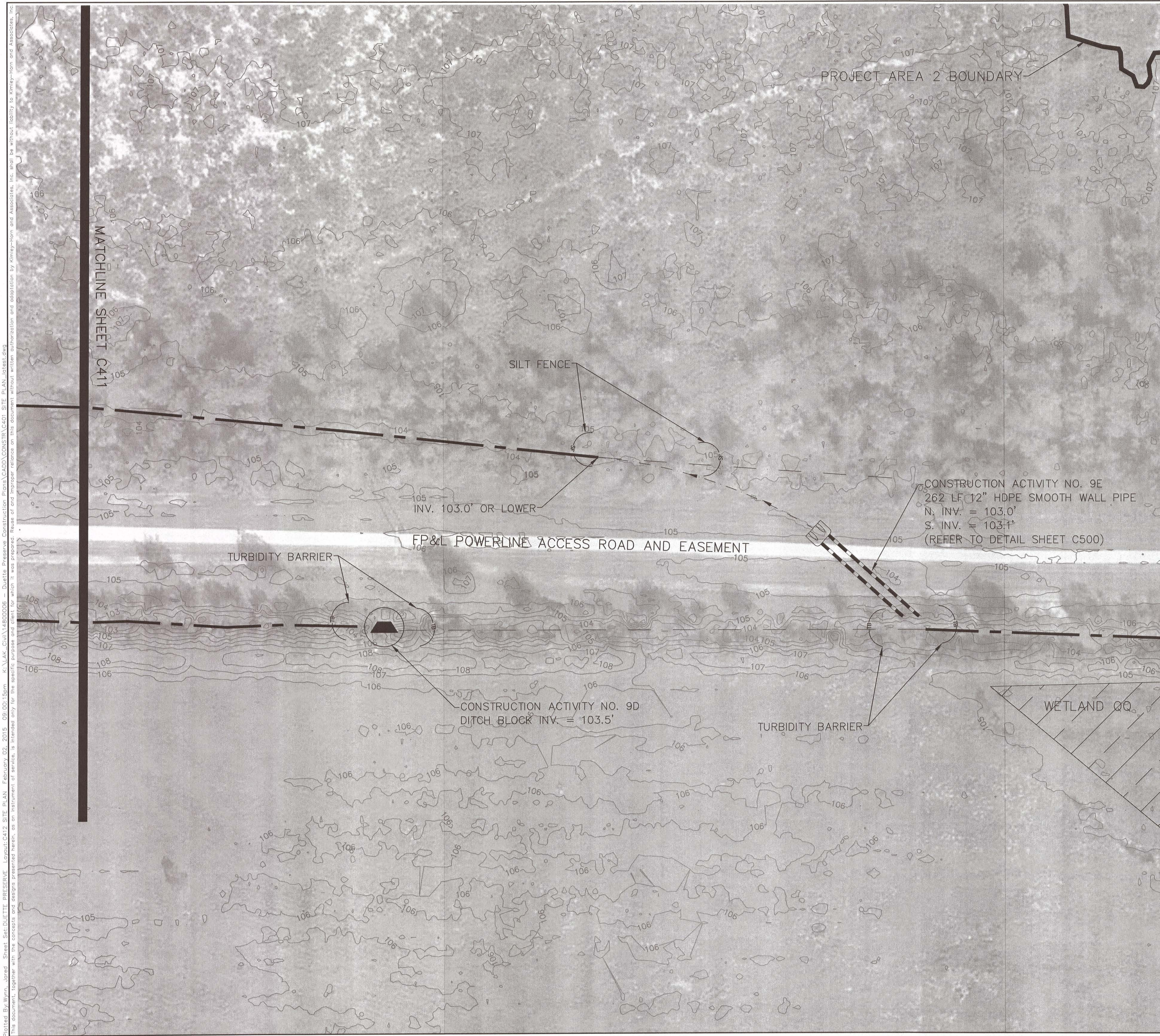
KHA PROJECT 14800006  
 DATE OCT 2014  
 SCALE AS SHOWN  
 DESIGNED BY JMW  
 DRAWN BY JMW  
 CHECKED BY RBC  
 DATE:

**DUETTE PRESERVE**  
**WATERSHED IMPROVEMENTS**  
 PREPARED FOR  
 MANATEE COUNTY BOARD OF COUNTY COMMISSIONERS

**GRADING AND DRAINAGE PLAN**

SHEET NUMBER  
**C411**





**LEGEND**

- PROPOSED PIPE LOCATION
- EXISTING DITCH
- PROPOSED DITCH FILLING
- EXISTING WETLAND LIMITS
- EXISTING CHANNEL
- DUETTE PRESERVE BOUNDARY
- PROJECT AREA BOUNDARY
- EXISTING CHANNEL
- PROPOSED DITCH BLOCK LOCATION
- PROPOSED SWALE
- PROPOSED PIPE
- EXISTING PIPE
- SILT FENCE
- TURBIDITY BARRIER

**NOTES**

1. REFER TO NOTES ON SHEET C402

No.	REVISIONS	DATE	BY

**Kimley»Horn**  
 © 2014 KIMLEY-HORN AND ASSOCIATES, INC.  
 116 SOUTH KENTUCKY AVENUE, LAKELAND, FL 33801  
 PHONE: 863-701-8702  
 WWW.KIMLEY-HORN.COM  
 CAD0000696

REGISTERED PROFESSIONAL ENGINEER  
 STATE OF FLORIDA  
 ENGINEERING NUMBER: 12417  
 EXPIRES: 12/31/2015  
 MAJ 11 2015

KHA PROJECT	14800006
DATE	OCT 2014
SCALE	AS SHOWN
DESIGNED BY	JMW
DRAWN BY	JMW
CHECKED BY	RBC
DATE	

**GRADING AND DRAINAGE PLAN**

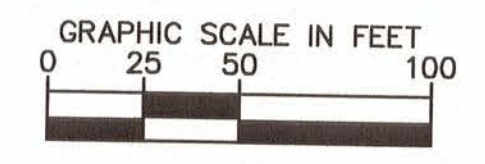
**DUETTE PRESERVE WATERSHED IMPROVEMENTS**  
 PREPARED FOR  
 MANATEE COUNTY BOARD OF COUNTY COMMISSIONERS  
 MANATEE COUNTY  
 FLORIDA

SHEET NUMBER  
**C412**

Plotted By: Wm. Jared Sheet Set: DUETTE PRESERVE Layout: C412 SITE PLAN February 02, 2015 09:00:15pm K:\AK-Civil\14800006 - Duette Preserve Construction Plans\CADD\CONSTR\C401 SITE PLAN\_latest.dwg  
 This document, together with the concepts and designs presented herein, is intended only for the specific purpose and client for which it was prepared. Reuse of and improper reliance on this document without written authorization and adaptation by Kimley-Horn and Associates, Inc. shall be without liability to Kimley-Horn and Associates, Inc.



Plotted By: Wynn, Jared Sheet Set: DUETTE PRESERVE Layout: C413 SITE PLAN October 21, 2014 08:30:35am K:\LAK\_CIV\14800006 - Duette Preserve Construction Plans\CADD\CONSTR\C401 SITE PLAN.dwg  
 This document, together with the concepts and designs presented herein, is intended only for the specific purpose and client for which it was prepared. Reuse of and improper reliance on this document without written authorization and approval by Kimley-Horn and Associates, Inc. shall be without liability to Kimley-Horn and Associates, Inc.



**LEGEND**

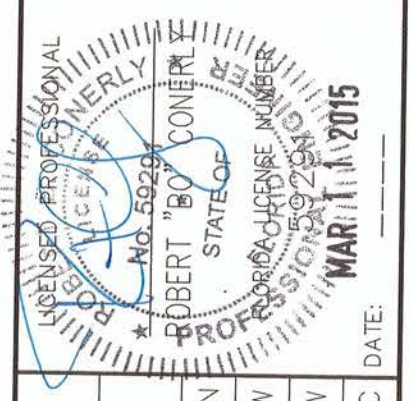
	PROPOSED PIPE LOCATION
	EXISTING DITCH
	PROPOSED DITCH FILLING
	EXISTING WETLAND LIMITS
	EXISTING CHANNEL
	DUETTE PRESERVE BOUNDARY
	PROJECT AREA BOUNDARY
	EXISTING CHANNEL
	PROPOSED DITCH BLOCK LOCATION
	PROPOSED SWALE
	PROPOSED PIPE
	EXISTING PIPE
	SILT FENCE
	TURBIDITY BARRIER

**NOTES**

1. REFER TO NOTES ON SHEET NO. C402

No.	REVISIONS	DATE	BY

**Kimley»Horn**  
 © 2014 KIMLEY-HORN AND ASSOCIATES, INC.  
 116 SOUTH KENTUCKY AVENUE, LAKELAND, FL 33801  
 PHONE: 883-701-6702  
 WWW.KIMLEY-HORN.COM  
 CAG006956



KHA PROJECT	14800006
DATE	OCT 2014
SCALE	AS SHOWN
DESIGNED BY	JMW
DRAWN BY	JMW
CHECKED BY	RBC
DATE	MAR 11 2015

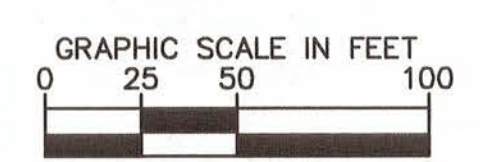
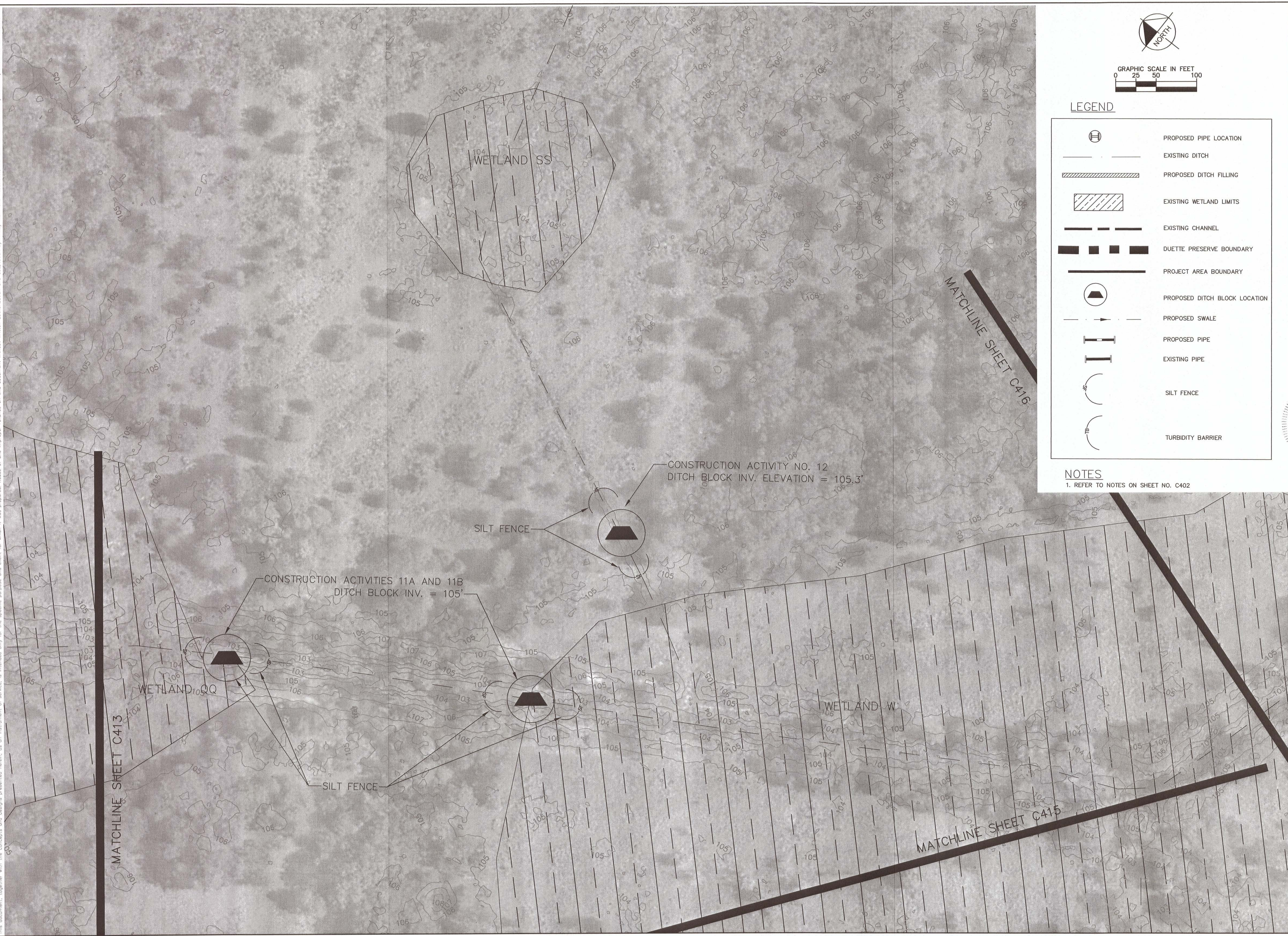
**GRADING AND DRAINAGE PLAN**

DUETTE PRESERVE  
 WATERSHED IMPROVEMENTS  
 PREPARED FOR  
 MANATEE COUNTY BOARD OF COUNTY  
 COMMISSIONERS  
 MANATEE COUNTY  
 FLORIDA



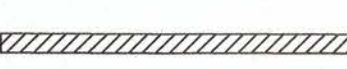









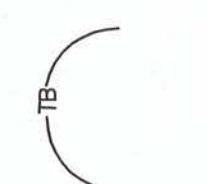
SHEET NUMBER  
**C413**



Plotted By: Wynn, Jared Sheet: Set: DUETTE PRESERVE - LOYOLLE C414 SITE PLAN - October 21, 2014 06:32:54pm K:\LAK\_Civil\14800006 - Duette Preserve Construction Plans\CADD\CONSTR\C401 SITE PLAN\_1.dwg  
 This document, together with the concepts and designs presented herein, as an instrument of service, is intended only for the specific purpose and client for which it was prepared. Reuse of and improper reliance on this document without written authorization and adaptation by Kimley-Horn and Associates, Inc. shall be without liability to Kimley-Horn and Associates, Inc.



**LEGEND**

-  PROPOSED PIPE LOCATION
-  EXISTING DITCH
-  PROPOSED DITCH FILLING
-  EXISTING WETLAND LIMITS
-  EXISTING CHANNEL
-  DUETTE PRESERVE BOUNDARY
-  PROJECT AREA BOUNDARY
-  PROPOSED DITCH BLOCK LOCATION
-  PROPOSED SWALE
-  PROPOSED PIPE
-  EXISTING PIPE
-  SILT FENCE
-  TURBIDITY BARRIER

**NOTES**

1. REFER TO NOTES ON SHEET NO. C402

No.	REVISIONS	DATE	BY

**Kimley & Horn**  
 © 2014 KIMLEY-HORN AND ASSOCIATES, INC. 33801  
 116 SOUTH KENTUCKY AVENUE, LAKELAND, FL  
 PHONE: 863-701-8702  
 WWW.KIMLEY-HORN.COM  
 CA00000616

**Professional Engineer Seal**  
 JARED WYNN  
 No. 40941  
 State of Florida  
 MAR 11 2015

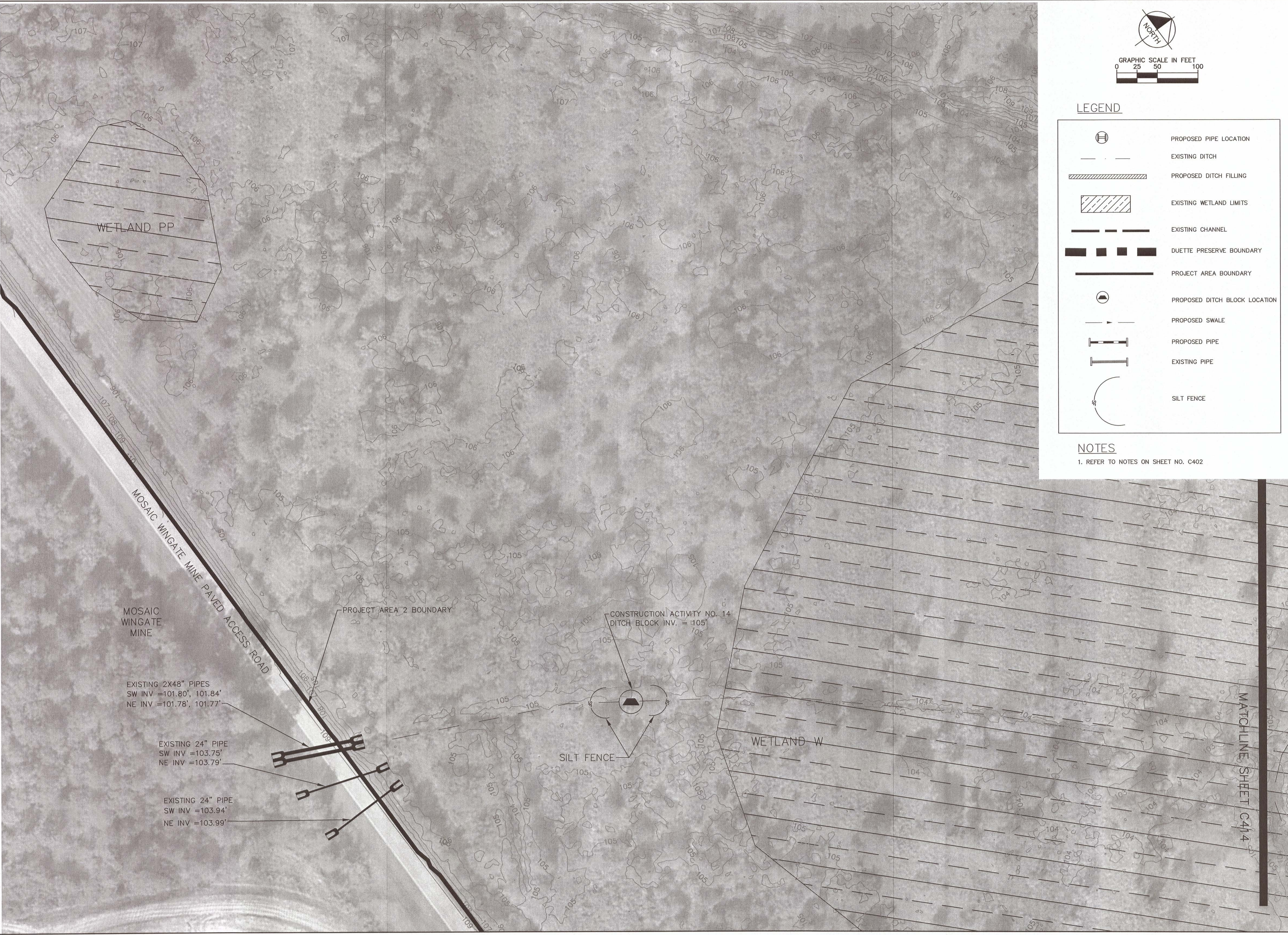
KHA PROJECT: 14800006  
 DATE: OCT 2014  
 SCALE: AS SHOWN  
 DESIGNED BY: JMW  
 DRAWN BY: JMW  
 CHECKED BY: JBC  
 REC DATE:

**DUETTE PRESERVE  
 WATERSHED IMPROVEMENTS  
 PREPARED FOR  
 MANATEE COUNTY BOARD OF COUNTY  
 COMMISSIONERS  
 MANATEE COUNTY  
 FLORIDA**

SHEET NUMBER  
**C414**



Plotted By: Wynn, Jared Sheet: Set/DUETTE PRESERVE Layout: C415 SITE PLAN October 21, 2014 06:35:02pm K:\LAK\_Civil\14800006 - Duette Preserve Construction Plans\CADD\CONSTR\C401 SITE PLAN\_djtest.dwg  
 This document, together with the concepts and designs presented herein, is intended only for the specific purpose and client for which it was prepared. Reuse of and improper reliance on this document without written authorization and adaptation by Kimley-Horn and Associates, Inc. shall be without liability to Kimley-Horn and Associates, Inc.



EXISTING 2X48" PIPES  
 SW INV = 101.80', 101.84'  
 NE INV = 101.78', 101.77'

EXISTING 24" PIPE  
 SW INV = 103.75'  
 NE INV = 103.79'

EXISTING 24" PIPE  
 SW INV = 103.94'  
 NE INV = 103.99'

PROJECT AREA 2 BOUNDARY

CONSTRUCTION ACTIVITY NO. 14  
 DITCH BLOCK INV. = 105'

SILT FENCE

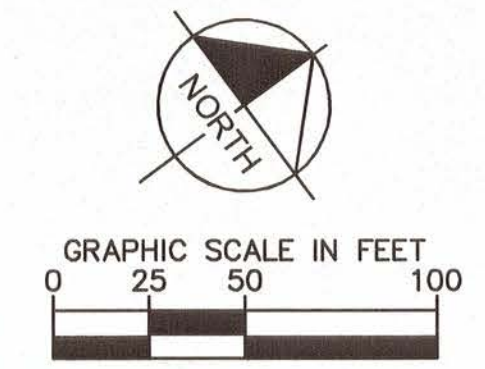
WETLAND W

WETLAND PP

MOSAIC WINGATE MINE PAVED ACCESS ROAD

MOSAIC WINGATE MINE

MATCHLINE SHEET C414



LEGEND

- PROPOSED PIPE LOCATION
- EXISTING DITCH
- PROPOSED DITCH FILLING
- EXISTING WETLAND LIMITS
- EXISTING CHANNEL
- DUETTE PRESERVE BOUNDARY
- PROJECT AREA BOUNDARY
- PROPOSED DITCH BLOCK LOCATION
- PROPOSED SWALE
- PROPOSED PIPE
- EXISTING PIPE
- SILT FENCE

NOTES

1. REFER TO NOTES ON SHEET NO. C402

NO.	REVISIONS	DATE	BY

**Kimley-Horn**  
 © 2014 KIMLEY-HORN AND ASSOCIATES, INC.  
 116 SOUTH KENTUCKY AVENUE, LAKELAND, FL 33801  
 PHONE: 863-701-8702  
 WWW.KIMLEY-HORN.COM  
 CA00000696



KHA PROJECT	14800006
DATE	OCT 2014
SCALE	AS SHOWN
DESIGNED BY	JMW
DRAWN BY	JMW
CHECKED BY	RBC
DATE	

**GRADING AND DRAINAGE PLAN**

DUETTE PRESERVE  
 WATERSHED IMPROVEMENTS  
 PREPARED FOR  
 MANATEE COUNTY BOARD OF COUNTY COMMISSIONERS  
 MANATEE COUNTY  
 FLORIDA

SHEET NUMBER  
**C415**