

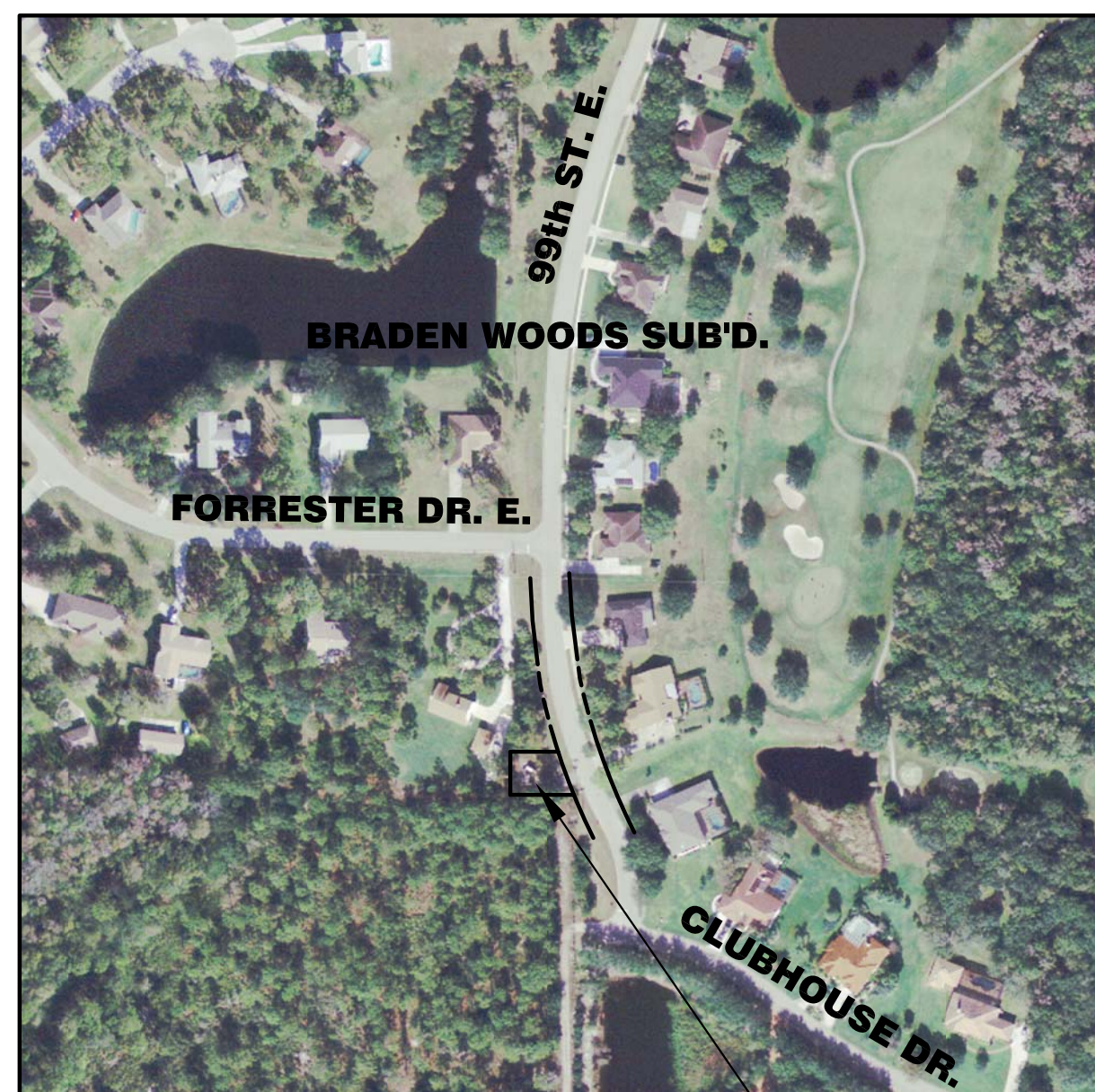
MANATEE COUNTY, FLORIDA

LIFT STATION UPGRADES

BRADEN WOODS LIFT STATION REHAB

404-6067780/5310001

NOVEMBER 2008

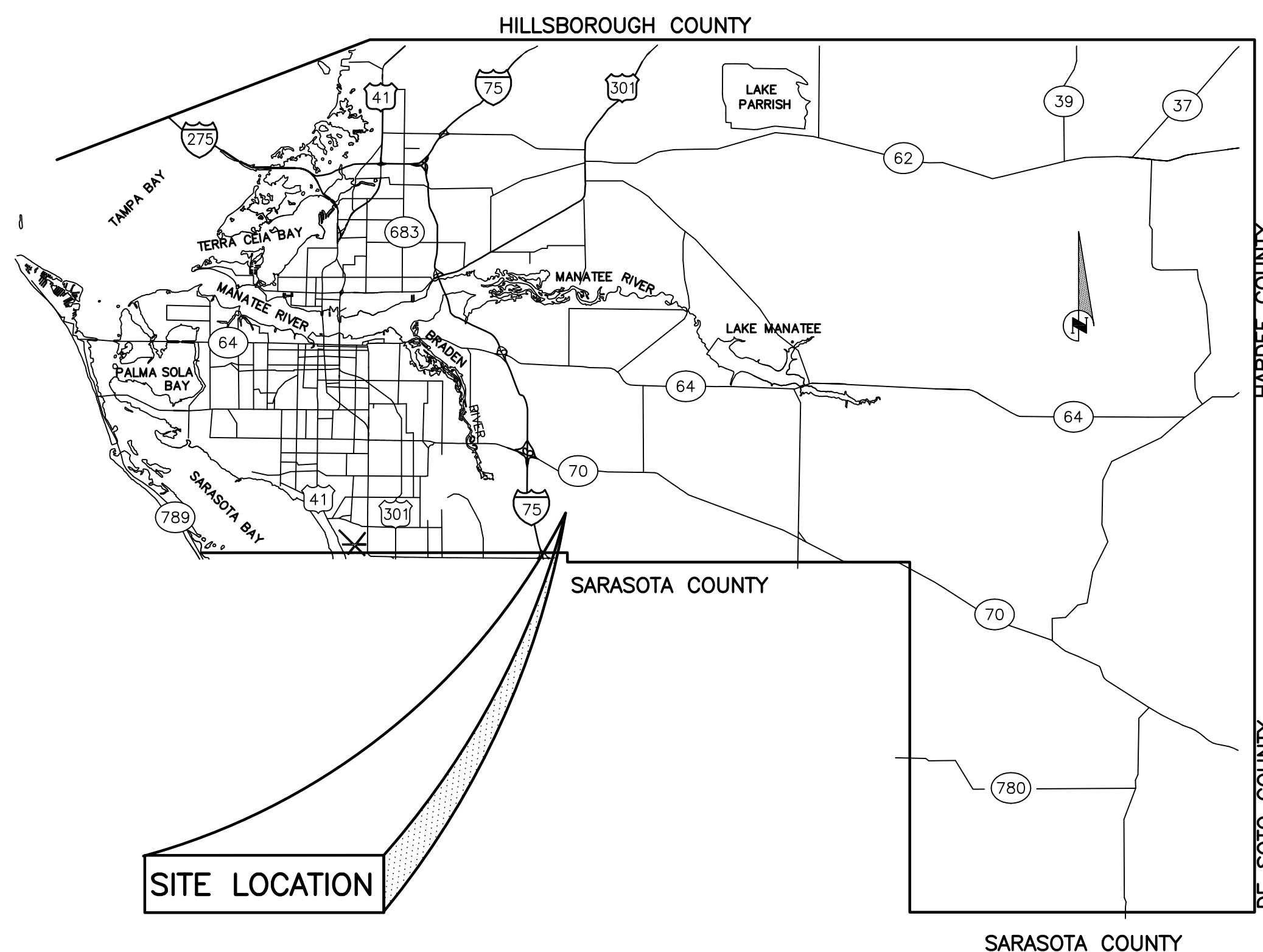


VICINITY MAP
N.T.S.

PROJECT SITE
BRADEN WOODS LIFT STATION
RTU 326

PROJECT DESCRIPTION

REMOVE AND REPLACE PUMP BASE ELLS, PIPING, VALVES, FITTINGS, FLOW METER AND REPAIR LINER PER MANATEE COUNTY STANDARDS, IN EXISTING WET WELL, VALVE VAULT AND METER VAULT.



SITE LOCATION

NO. INDEX OF SHEETS


- | | |
|---|------------------------|
| 1 | COVER SHEET |
| 2 | GENERAL NOTES & LEGEND |
| 3 | PLAN & ELEVATION |
| 4 | DETAILS |
| 5 | EROSION CONTROL |

SEC. TWP. RGE	19/35S/19E		
SURVEY BOOK NO.	----		
PROJECT NUMBER	404-6067780		
	By	Checked	Date
Surveyed	N/A	----	----
Drawn	JEL		02/22/08
Designed	WRT		

NOTE:
THESE PLANS DO NOT REFLECT A TRUE BOUNDARY OR RIGHTS-OF-WAY SURVEY. THE LOCATION OF THE STREET RIGHTS-OF-WAY LINES SHOWN IS APPROXIMATE AND IS BASED ON INFORMATION CONTAINED IN THE SUBDIVISION PLATS, RIGHTS-OF-WAY MAPS ON RECORD IN MANATEE COUNTY AND ON TOPOGRAPHIC DATA COLLECTED ON THE ROUTE SURVEY OF THE RIGHTS-OF-WAY BY MANATEE COUNTY SURVEY PERSONNEL. CONSEQUENTLY THE RIGHTS-OF-WAY LINES SHOWN ARE NOT INTENDED TO INDICATE THE EXACT PROPERTY CORNERS.

WAYNE R. TROXLER/62204
Engineer / Reg. No.

Date

PUBLIC WORKS DEPT.-ENGINEERING DIVISION

4422-B 66th Street West, Bradenton, FL 34210

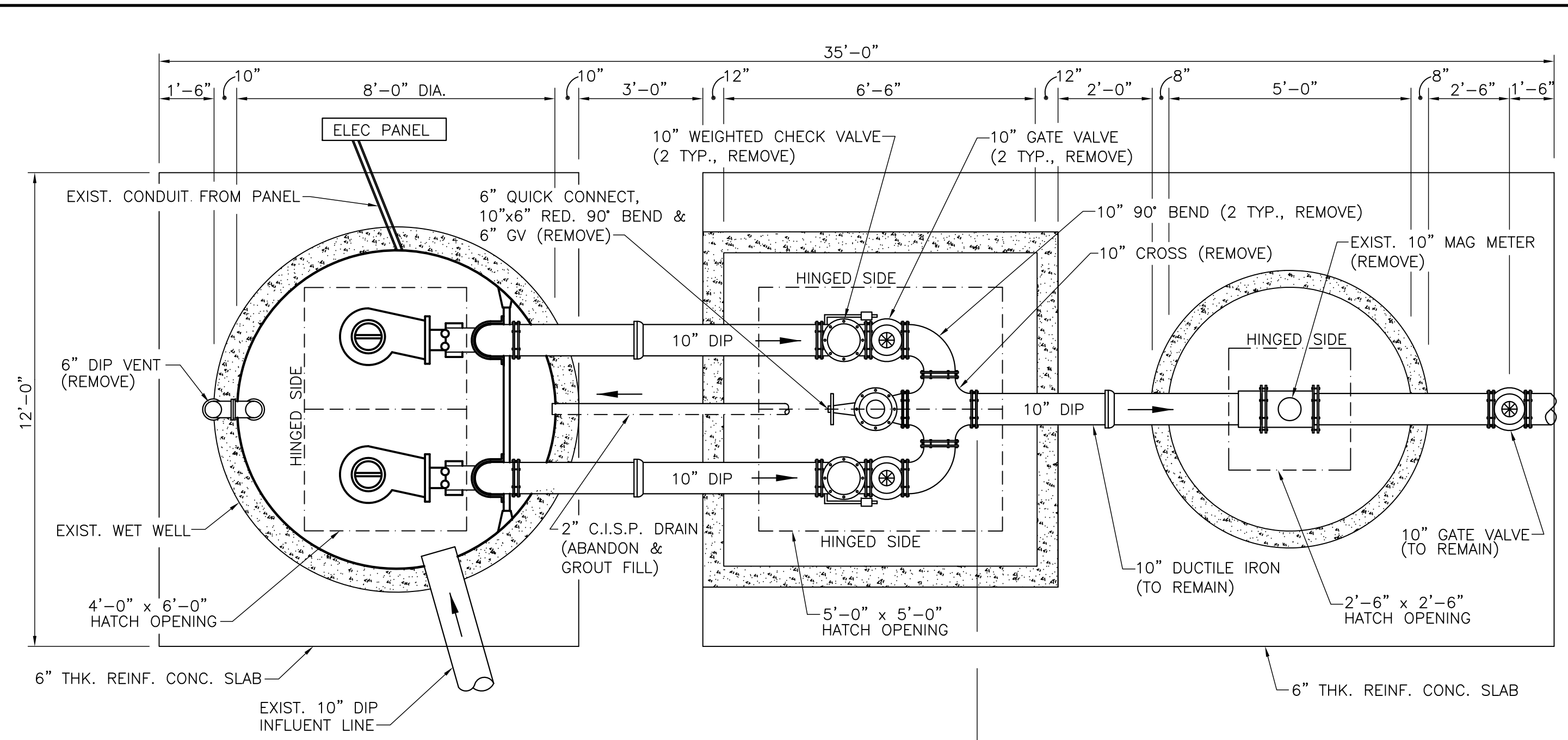
NO.	REVISION DESCRIPTION	BY	DATE

LIFT STATION UPGRADES
BRADEN WOODS LIFT STATION REHAB

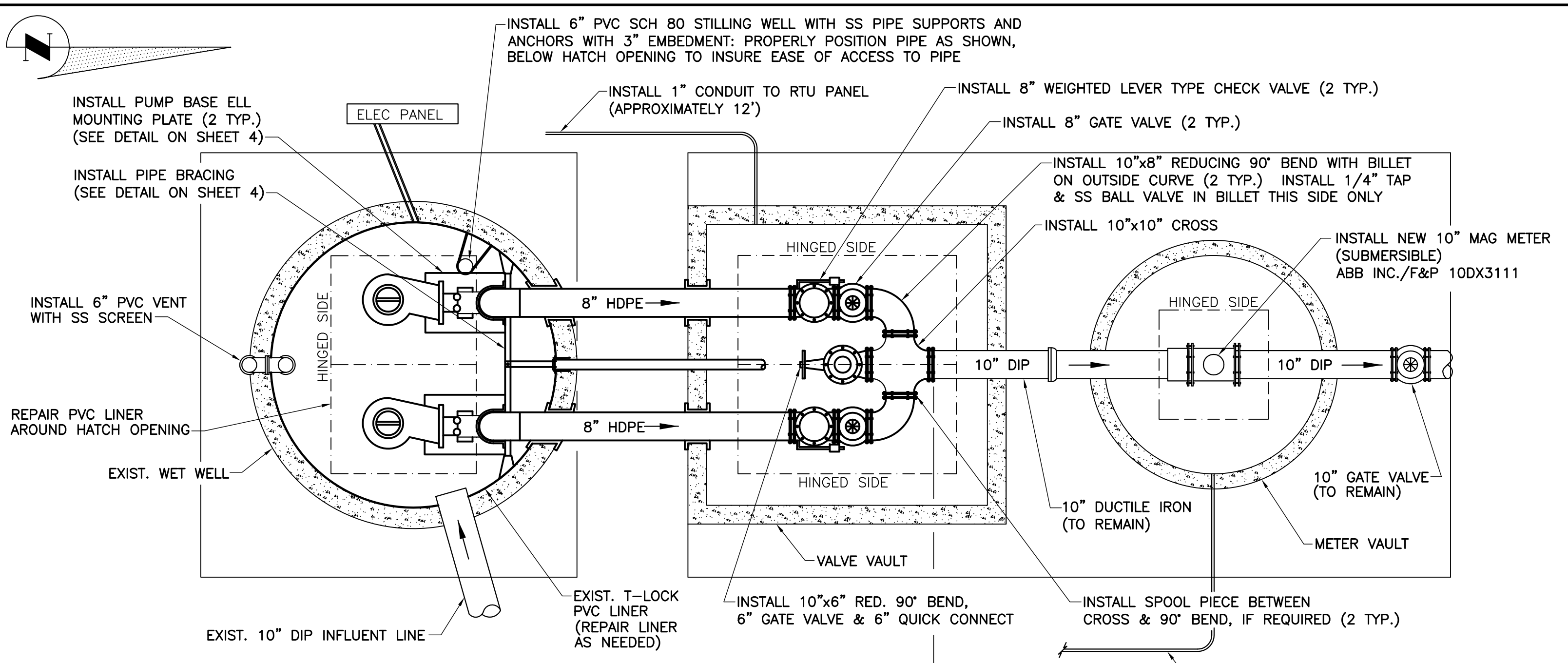
COVER SHEET

Sheet 1 5

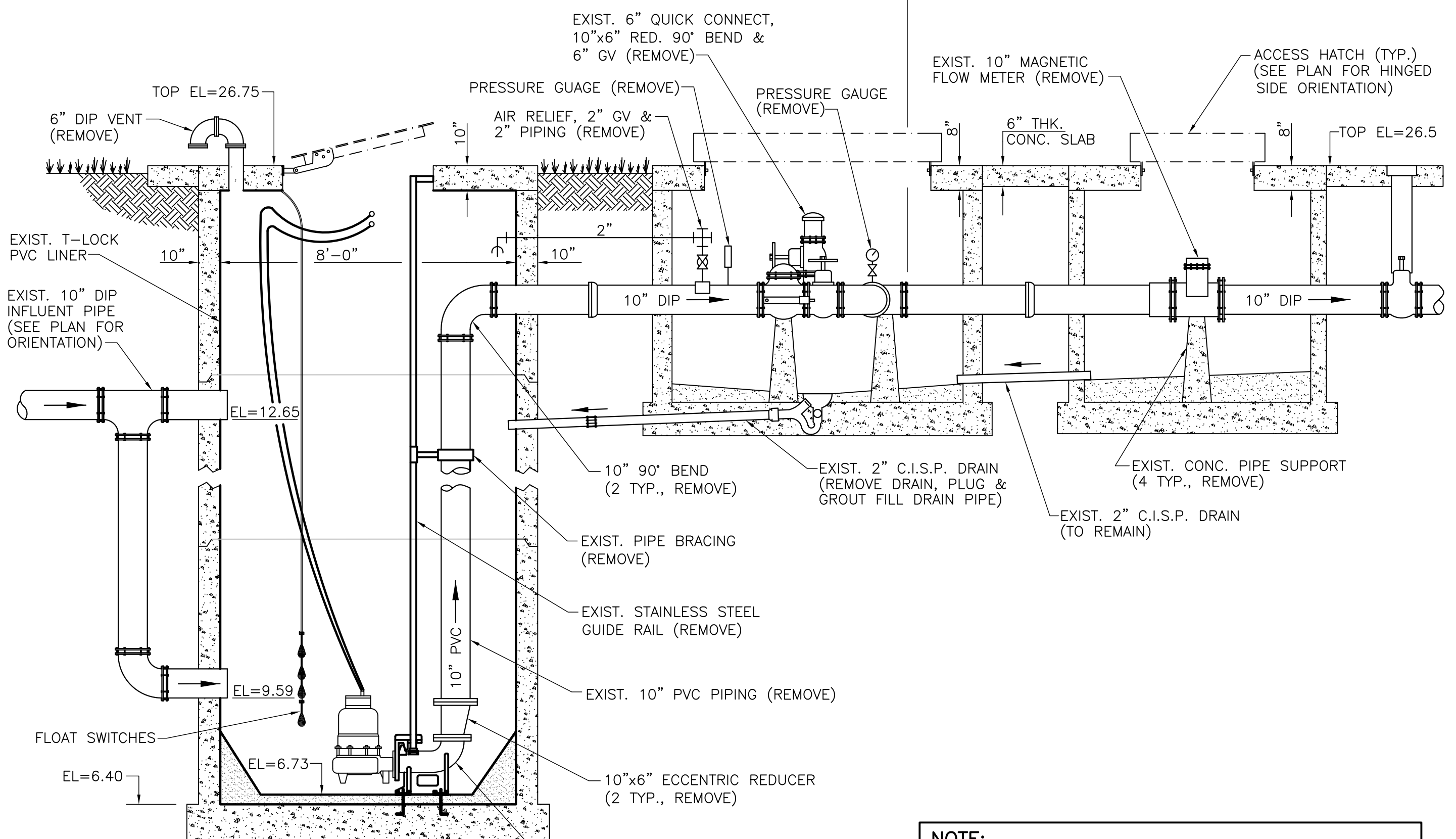
C:\Documents and Settings\braden\Desktop\100\Braden Woods.dwg Cover Sheet, 11/23/2008 2:12 PM Bruce Robertson, 11_ARCH D



PLAN
NTS

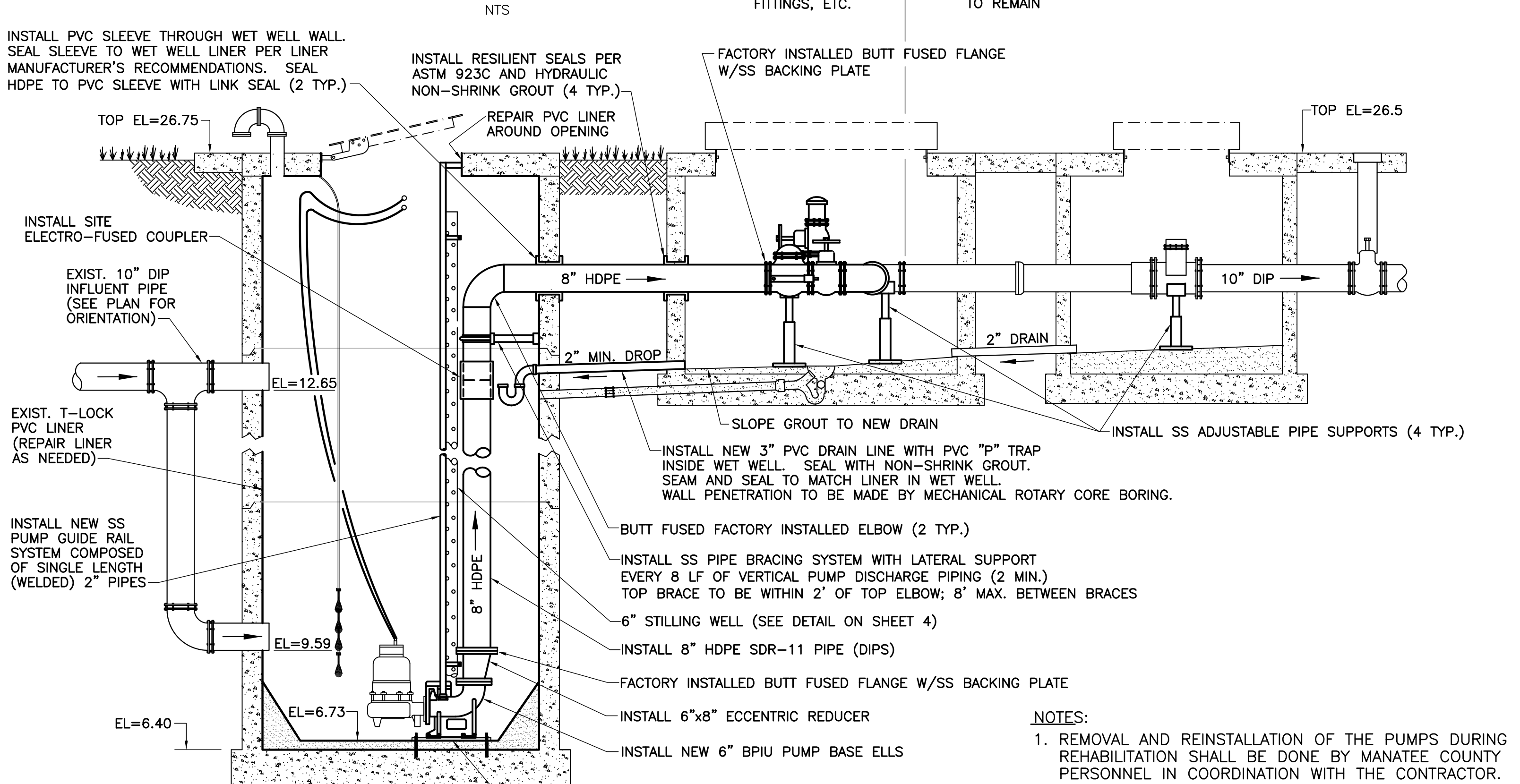


PLAN
NTS



ELEVATION

**BRADEN WOODS LIFT STATION
EXISTING**
NTS



ELEVATION

**BRADEN WOODS LIFT STATION
PROPOSED**
NTS

NOTE:
THE EXISTING INFORMATION SHOWN ON THIS SHEET WAS OBTAINED FROM RECORD DRAWINGS DATED 10/12/88. THE CONTRACTOR SHALL FIELD VERIFY ALL EXISTING CONDITIONS, ELEVATIONS, ETC. FOR ACCURACY.

- NOTES:**
- REMOVAL AND REINSTALLATION OF THE PUMPS DURING REHABILITATION SHALL BE DONE BY MANATEE COUNTY PERSONNEL IN COORDINATION WITH THE CONTRACTOR.
 - BY-PASS PUMPING CONDITION IS 600 GPM @ 108' TDH.
 - MANATEE COUNTY GOVERNMENT WILL PROVIDE ONE (1) LIFT STATION SHUT-DOWN. ADDITIONAL SHUT-DOWNS WILL COST THE CONTRACTOR \$3,500 EACH, IF NEEDED.

C:\Documents and Settings\braden\Desktop\100%Bradens\100%Plan & Elev. 11/20/2008 2:12 PM Bruce Robertson, 11_ARCH.D


SEC. TWP. RGE	19/35S/19E		
SURVEY BOOK NO.	---		
PROJECT NUMBER	404-6067780		
	By	Checked	Date
Surveyed	N/A	---	---
Drawn	JEL	---	02/25/08
Designed	WRT	---	---

NOTE:
THESE PLANS DO NOT REFLECT A TRUE BOUNDARY OR RIGHTS-OF-WAY SURVEY. THE LOCATION OF THE STREET RIGHTS-OF-WAY LINES SHOWN IS APPROXIMATE AND IS BASED ON INFORMATION CONTAINED IN THE SUBDIVISION PLATS, RIGHTS-OF-WAY MAPS ON RECORD IN MANATEE COUNTY AND ON TOPOGRAPHIC DATA COLLECTED ON THE ROUTE SURVEY OF THE RIGHTS-OF-WAY BY MANATEE COUNTY SURVEY PERSONNEL. CONSEQUENTLY THE RIGHTS-OF-WAY LINES SHOWN ARE NOT INTENDED TO INDICATE THE EXACT PROPERTY CORNERS.

WAYNE R. TROXLER/62204
Engineer / Reg. No.

Date

PUBLIC WORKS DEPT.-ENGINEERING DIVISION

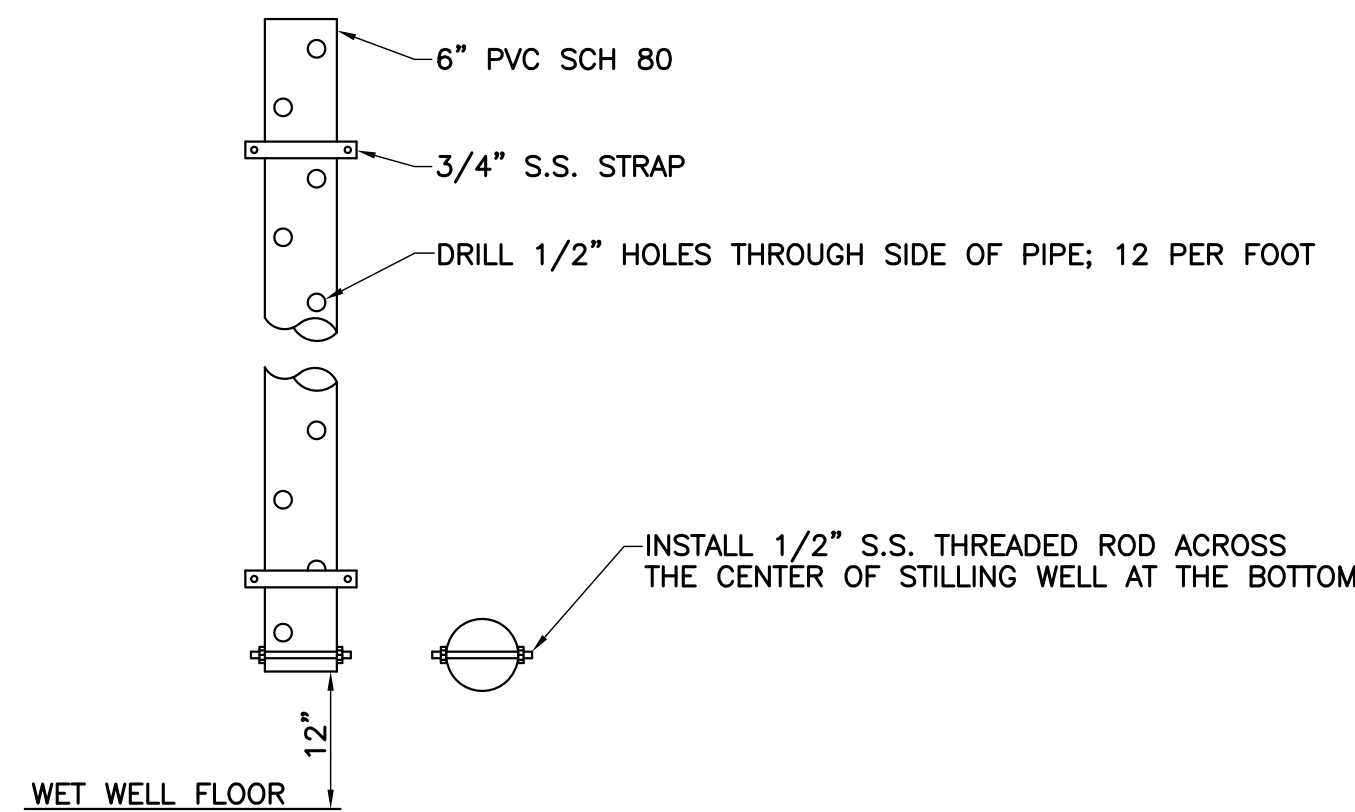

4422-B 66th Street West, Bradenton, FL 34210

NO.	REVISION DESCRIPTION	BY	DATE

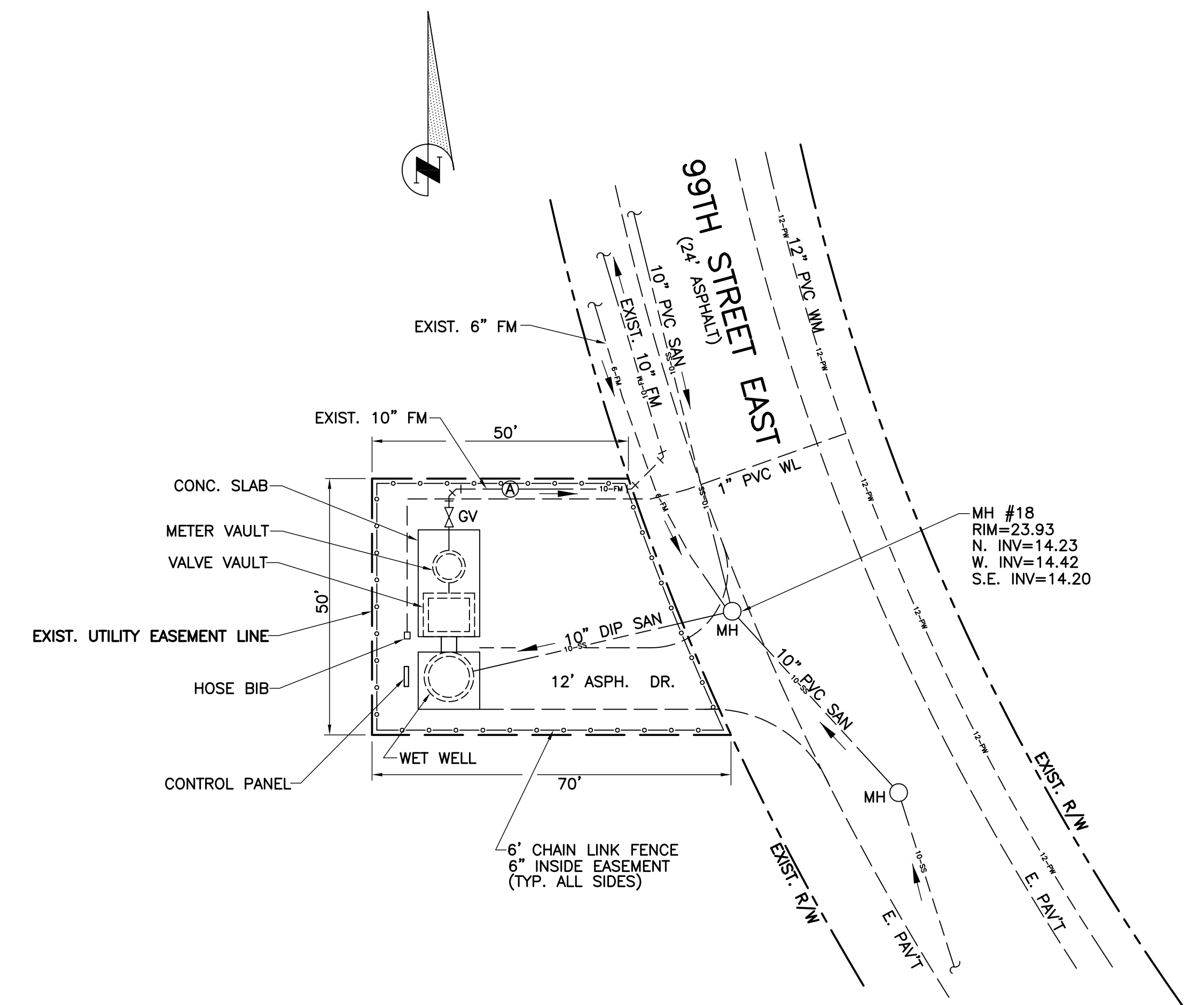
**LIFT STATION UPGRADES
BRADEN WOODS LIFT STATION REHAB**

PLAN & ELEVATION

Sheet
3
5

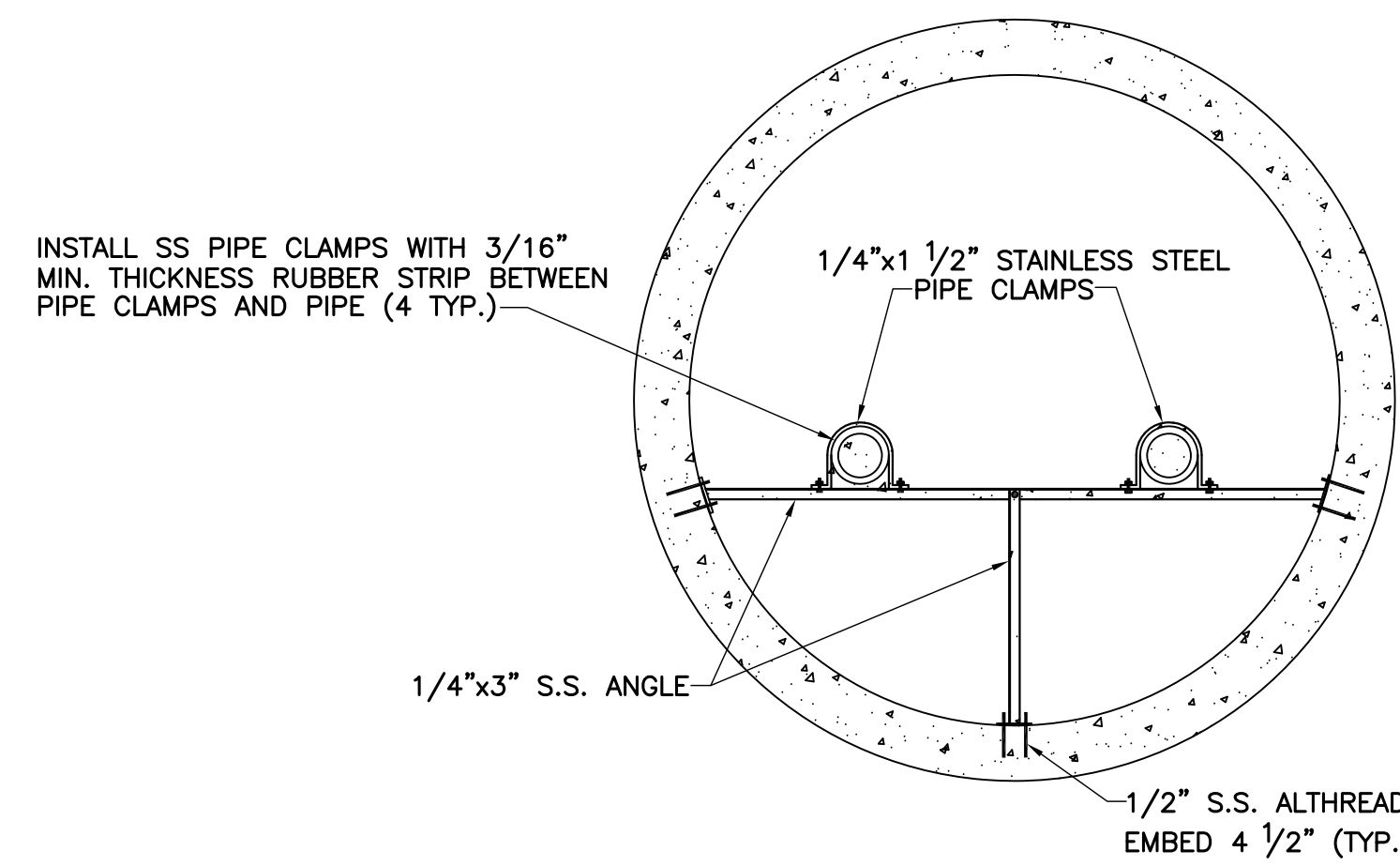


STILLING WELL DETAIL
NTS



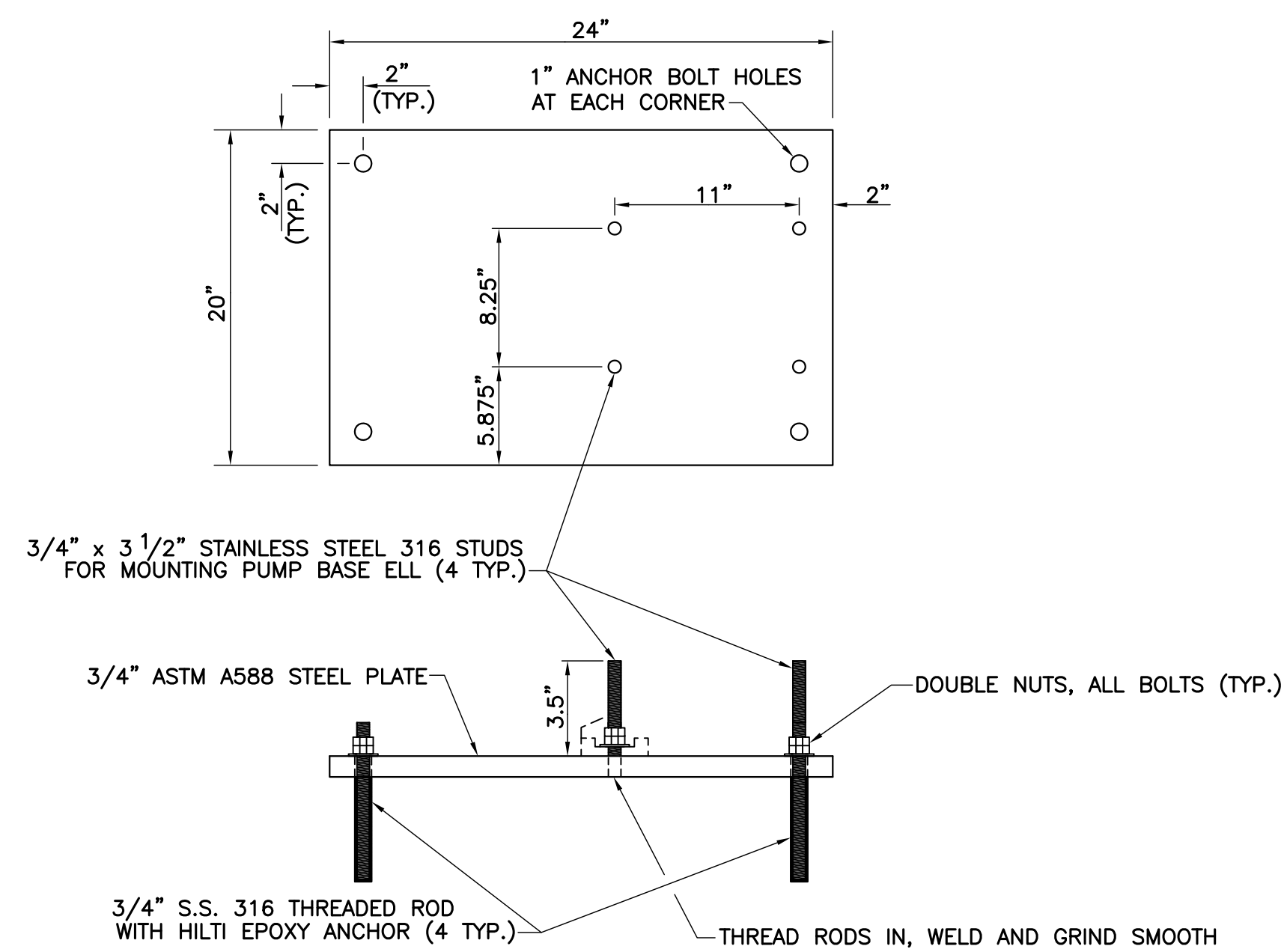
EXISTING SITE PLAN
BRADEN WOODS L.S. #18
SCALE: 1"=20'

NOTE:
THE EXISTING UTILITY EASEMENT INFORMATION WAS DERIVED FROM RECORD DRAWINGS FOR THE SOUTHEAST SUBREGIONAL WASTEWATER TREATMENT FACILITIES, SUBMERSIBLE PUMP STATION DETAILS, BRADEN WOODS - 18, DATED 10-12-88.



WET WELL PIPE BRACING DETAIL
NTS

NOTE:
THE PIPE CLAMPS SHALL BE CONSTRUCTED FROM MIN. 1 1/2" x 1/4" STAINLESS STEEL FLAT STOCK. ALL BRACING SYSTEM COMPONENTS SHALL BE CONNECTED USING STAINLESS STEEL FASTENERS. ALL THREADED CONNECTIONS SHALL HAVE STAINLESS STEEL FLAT WASHERS AND STAINLESS STEEL NYLON INSERT LOCK NUTS.



6" PUMP BASE ELL MOUNTING PLATE
NTS

NOTES:
1. INSTALL DOUBLE NUTS ON ALL EIGHT (8) THREADED RODS.
2. THE PLATE EDGES AND ALL HOLES SHALL BE GROUND SMOOTH TO REMOVE ALL BURS.

C:\Documents and Settings\braden\desktop\100%Braden Woods\Details_11/2/2008 2:13 PM Bruce Robertson_11_ARCH.D

SEC. TWP. RGE	19/35S/19E		
SURVEY BOOK NO.	----		
PROJECT NUMBER	404-6067780		
	By	Checked	Date
Surveyed	N/A	----	----
Drawn	JEL		02/25/08
Designed	WRT		

NOTE:
THESE PLANS DO NOT REFLECT A TRUE BOUNDARY OR RIGHTS-OF-WAY SURVEY. THE LOCATION OF THE STREET RIGHTS-OF-WAY LINES SHOWN IS APPROXIMATE AND IS BASED ON INFORMATION CONTAINED IN THE SUBDIVISION PLATS, RIGHTS-OF-WAY MAPS ON RECORD IN MANATEE COUNTY AND ON TOPOGRAPHIC DATA COLLECTED ON THE ROUTE SURVEY OF THE RIGHTS-OF-WAY BY MANATEE COUNTY SURVEY PERSONNEL. CONSEQUENTLY THE RIGHTS-OF-WAY LINES SHOWN ARE NOT INTENDED TO INDICATE THE EXACT PROPERTY CORNERS.

WAYNE R. TROXLER/62204
Engineer / Reg. No.

Date

PUBLIC WORKS DEPT.-ENGINEERING DIVISION

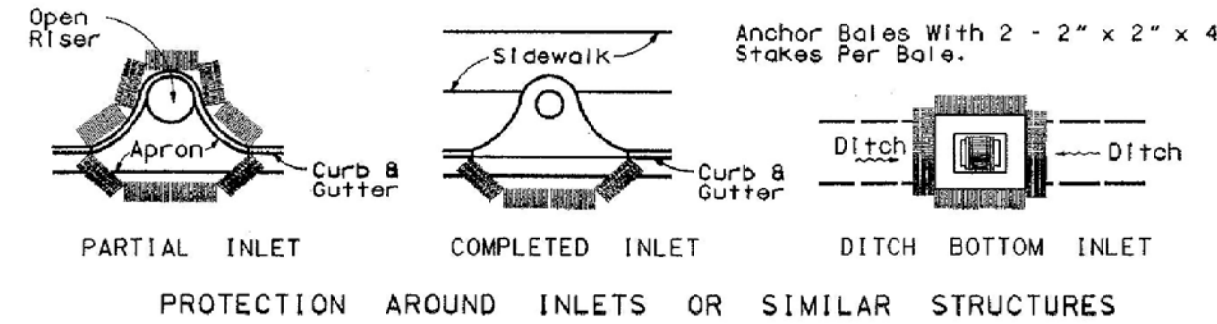
4422-B 66th Street West, Bradenton, FL 34210

NO.	REVISION DESCRIPTION	BY	DATE

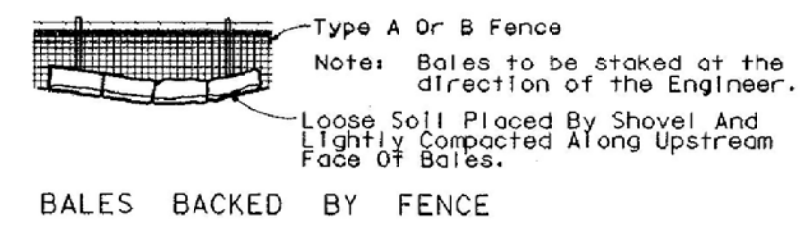
LIFT STATION UPGRADES
BRADEN WOODS LIFT STATION REHAB

DETAILS

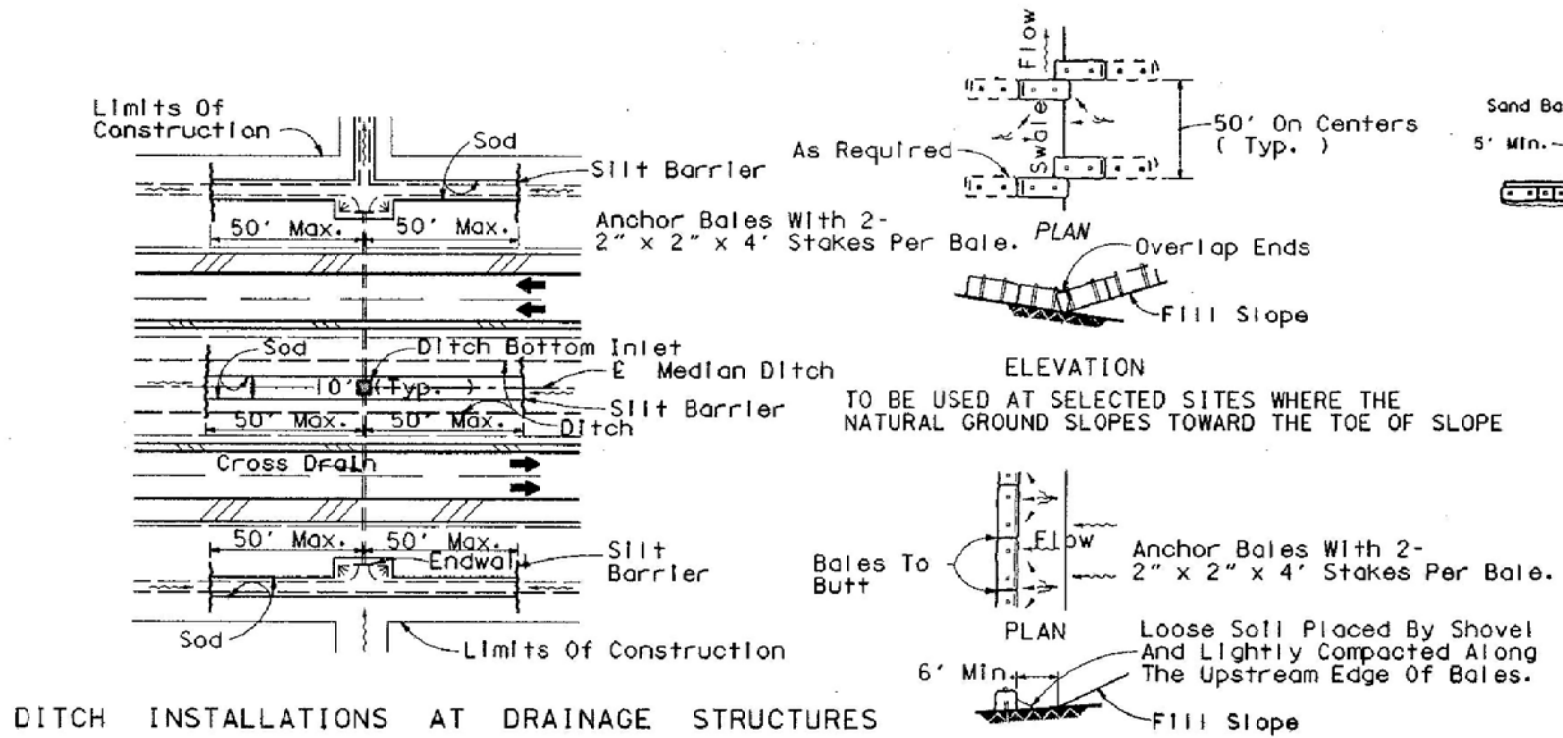
Sheet	4
Page	5



PROTECTION AROUND INLETS OR SIMILAR STRUCTURES



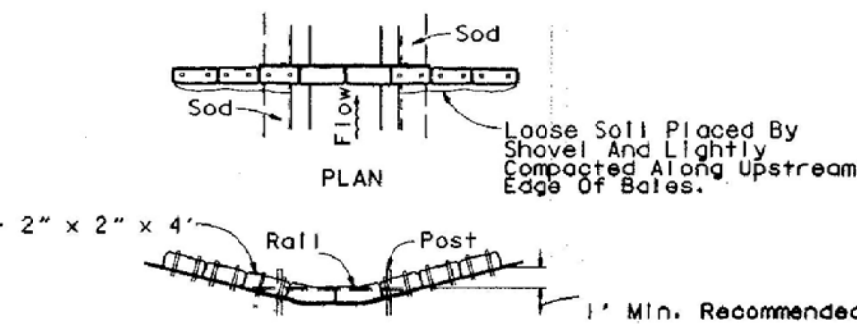
BALES BACKED BY FENCE



DITCH INSTALLATIONS AT DRAINAGE STRUCTURES

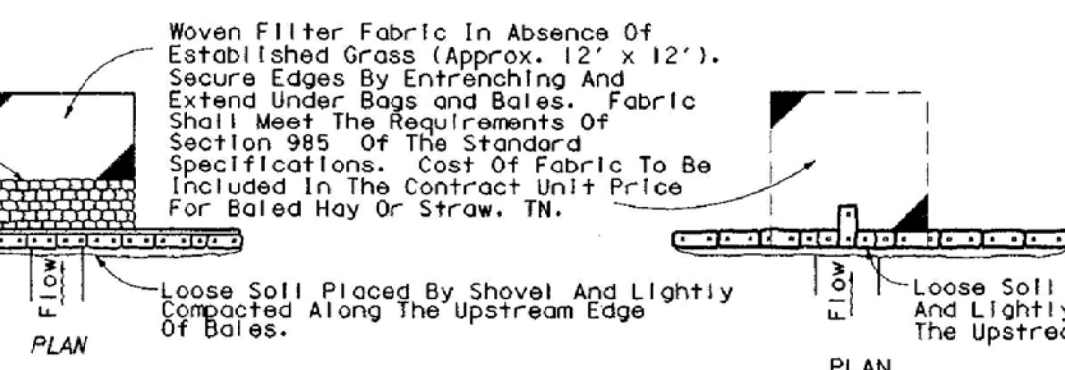
TO BE USED AT SELECTED SITES WHERE THE NATURAL GROUND SLOPES TOWARD THE TOE OF SLOPE

BARRIERS FOR FILL SLOPES



Spacing: Bale barriers for paved ditches should be spaced in accordance with Chart 1, Sheet 1 of 3, Index No. 102

BARRIER FOR PAVED DITCH



Loose Soil Placed By Shovel And Lightly Compacted Along The Upstream Edge Of Bales.

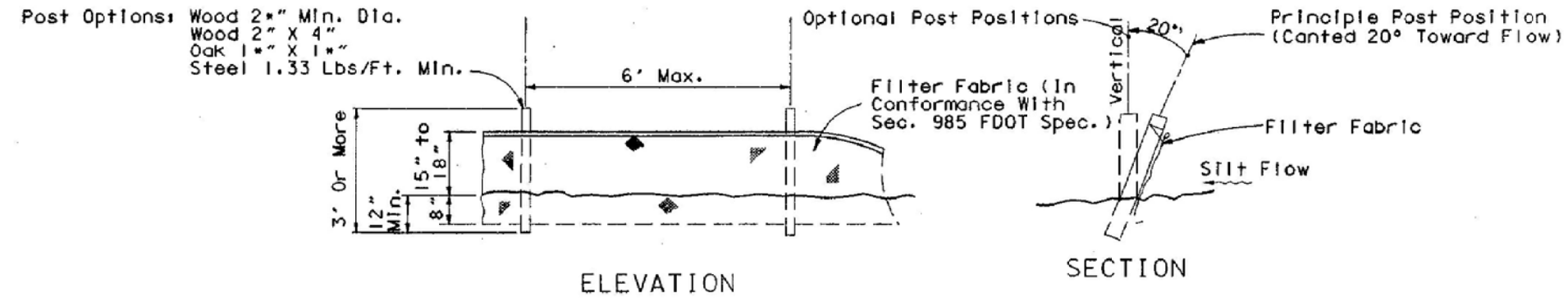
BARRIER FOR UNPAVED DITCHES

Application and Spacing: the use of Types I & II bale barriers should be limited to the conditions outlined in Chart 1, Sheet 1 of 3, Index No. 102.

TYPE I

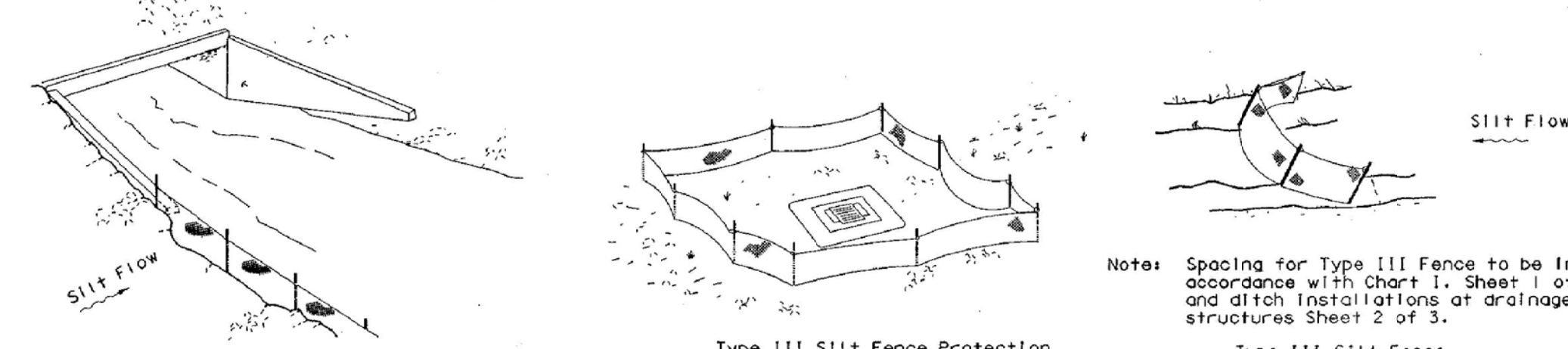
TYPE II

BARRIER FOR UNPAVED DITCHES



TYPE III SILT FENCE

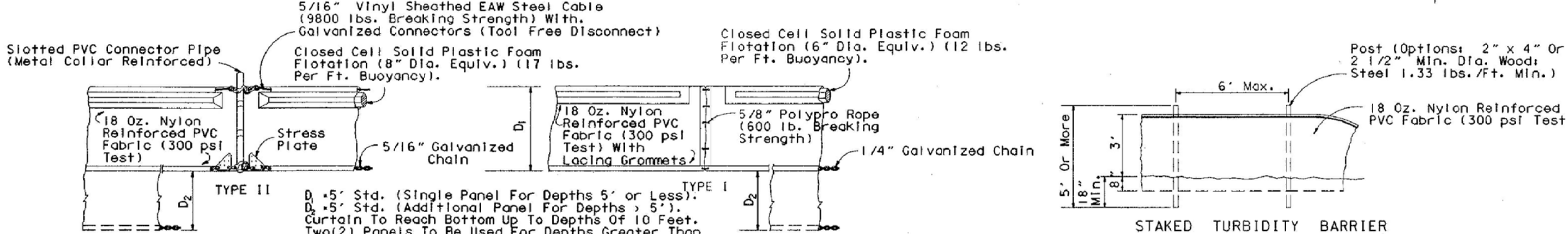
Note: Silt Fence to be paid for under the contract unit price for Staked Silt Fence (LF).



Do not deploy in a manner that silt fences will act as a dam across permanent flowing watercourses. Silt fences are to be used at upland locations and turbidity barriers used at permanent bodies of water.

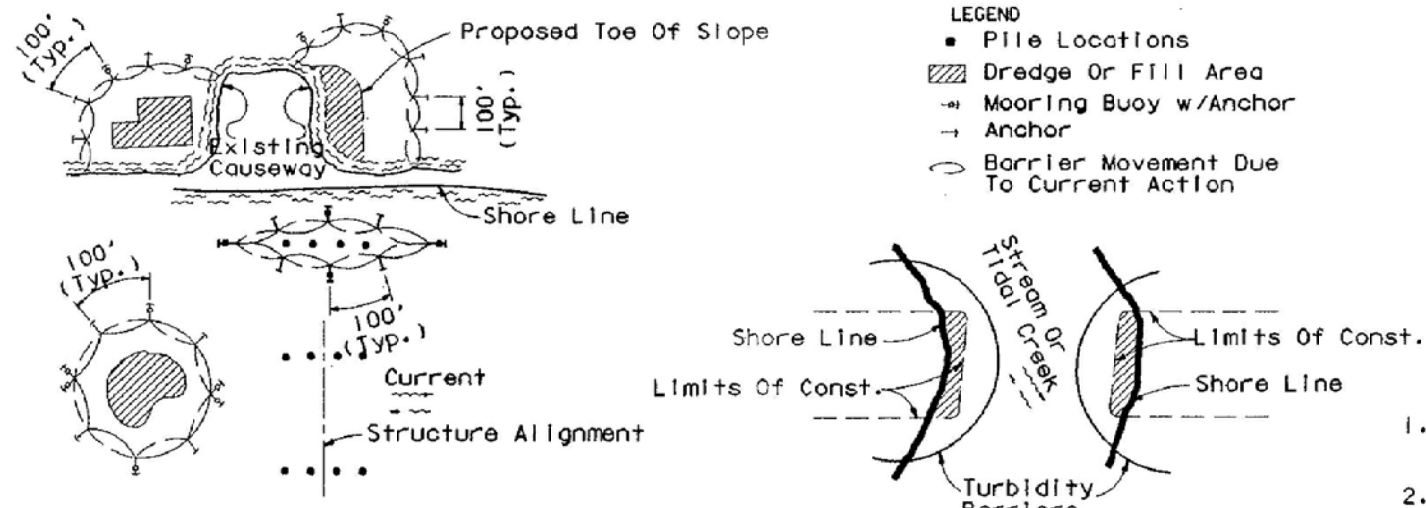
SILT FENCE APPLICATIONS

BALED HAY OR STRAW BARRIER AND SILT FENCES



NOTICE: COMPONENTS OF TYPES I AND II MAY BE SIMILAR OR IDENTICAL TO PROPRIETARY DESIGNS. ANY INFRINGEMENT ON THE PROPRIETARY RIGHTS OF THE DESIGNER SHALL BE THE SOLE RESPONSIBILITY OF THE USER. SUBSTITUTIONS FOR TYPES I AND II SHALL BE AS APPROVED BY THE ENGINEER.

FLOATING TURBIDITY BARRIERS



TURBIDITY BARRIER APPLICATIONS

TURBIDITY BARRIERS

NOTE:
REFERENCE THE FDOT DESIGN STANDARDS LATEST EDITION FOR ALL TEMPORARY EROSION CONTROL MEASURES.

SEC. TWP. RGE	19/35S/19E		
SURVEY BOOK NO.	----		
PROJECT NUMBER	404-6067780		
	By	Checked	Date
Surveyed	N/A	----	----
Drawn	JEL		02/25/08
Designed	WRT		

NOTE:
THESE PLANS DO NOT REFLECT A TRUE BOUNDARY OR RIGHTS-OF-WAY SURVEY. THE LOCATION OF THE STREET RIGHTS-OF-WAY LINES SHOWN IS APPROXIMATE AND IS BASED ON INFORMATION CONTAINED IN THE SUBDIVISION PLATS, RIGHTS-OF-WAY MAPS ON RECORD IN MANATEE COUNTY AND ON TOPOGRAPHIC DATA COLLECTED ON THE ROUTE SURVEY OF THE RIGHTS-OF-WAY BY MANATEE COUNTY SURVEY PERSONNEL. CONSEQUENTLY THE RIGHTS-OF-WAY LINES SHOWN ARE NOT INTENDED TO INDICATE THE EXACT PROPERTY CORNERS.

WAYNE R. TROXLER/62204
Engineer / Reg. No.

Date

PUBLIC WORKS DEPT.-ENGINEERING DIVISION

4422-B 66th Street West, Bradenton, FL 34210

NO.	REVISION DESCRIPTION	BY	DATE

**LIFT STATION UPGRADES
BRADEN WOODS LIFT STATION REHAB
EROSION CONTROL**

Sheet
5
5