



MANATEE COUNTY FLORIDA

email

November 2, 2011

TO: All Interested Bidders

SUBJECT: Invitation for Bid #11-2873DC
SW Water Reclamation Facility Clarifier 1 & 2
ADDENDUM #1

Bidders are hereby notified that this Addendum shall be made a part of the above named bidding and contract documents. The following items are issued to add to, modify, and clarify the bid and contract documents. These items shall have the same force and effect as the original bidding and contract documents, and cost involved shall be included in the bid prices. Bids to be submitted on the specified bid date, shall conform to the additions and revisions listed herein.

1. See attached information as prepared by Carollo Engineers.
2. Information Conference (attendees) sign-in sheet is attached for your information.
3. This project is included in the Federal Stimulus Funded Programs and requires all laborers and mechanics employed by contractors and subcontractors on project to be paid wages at rates not less than those prevailing on projects of a character similar in the locality as determined by the Secretary of Labor in accordance with Subchapter IV of Chapter 31 of Title 40, United States Code. Pursuant to Reorganization Plan No. 14 and the Copeland Act, 40 U.S.C. 3145, the Department of Labor has issued regulations at 29 CFR Parts 1, 3, and 5 to implement the **Davis-Bacon Act**. Contractor shall be required to compute the wages of every mechanic and laborer on the basis of a standard work week of 40 hours.

Bids will be received at Manatee County Purchasing, 1112 Manatee Avenue West, Suite 803, Bradenton, Florida 34205 until **November 16, 2011 at 3:00 P.M.** (Due Date is unchanged.)

Sincerely,

Deborah Carey-Reed
Contract Specialist

/dcr

Financial Management Department * Purchasing Division
1112 Manatee Avenue West, Suite 803, Bradenton, FL 34205
deborah.carey-reed@mymanatee.org* PHONE: 941.749-3074 * FAX: 941.749-3034
WEB: www.mymanatee.org

November 1, 2011

Mr. Anthony Benitez
Manatee County Government
1022 26th Avenue East
Bradenton, Florida 34208

Subject: SWWRF Clarifier 1 and 2 Rehabilitation Information Conference Questions

Dear Mr. Benitez:

This letter includes Carollo Engineers' responses to questions asked by attendees at the Information Conference on 10/19/11 and the addition of two (2) new sluice gates.

1. Can you confirm that the new VFD for RAS Pump 2 is existing?

Yes.

2. Regarding the price quotes for completion in 330 and 365 days, there are concerns that these timeframes are too short. Clarifier equipment manufacturers are quoting 32 weeks from start of shop drawings to delivery.

There are no changes to completion dates.

3. Is there a staging area available onsite, or will the equipment need to be trucked offsite for storage?

See Drawing G-02 for staging area.

4. The specifications indicate that the County will pay for stored materials when provided a paid receipt. So, the contractor must pay for the materials and then get reimbursed even if the equipment is stored onsite?

Yes. In accordance with IfB Article C.05, "Any requests for payment of materials stored on site must be accompanied with a paid receipt." The requirement for the contractor to acquire title is not mandatory; but, it is required for the contractor to furnish a paid invoice as evidence of title. This documentation is to protect the County's interest which is balanced against the obligation for the County to provide the contractor with timely payment.

5. A 3-year warrantee is required for all equipment work, correct?

Yes.

6. Is there an Engineers Cost Estimate?

\$1,000,000.

7. When does the warrantee time period start?

The warrantee period begins at final acceptance.

8. There are three spots shown for repair on the bottom of the clarifier. If more spots need repair, how should this be priced?

Submit a unit price in the bid. Specific areas for repair will be determined during construction by the Engineer.

9. Is the required warrantee for all equipment?

Yes. Some specifications require additional warrantees for individual equipment. Review individual specification sections for details.

10. Will the County require a building permit?

Yes. The building permit has been approved. The contractor will be required to pull the permit and pay any remaining fees.

11. Who will inspect the structural work for the new launderer?

The County and the Engineer.

12. What's the fee for the building permit?

The balance due is \$350, as per Specifications Section 100, Pg. 101, Paragraph D.01.

13. Is there a certain time associated with the October 24 deadline?

Yes, 8 am.

14. Can you supply the permit number because there may be fees associated with the inspections required by the permit?

Permit No. 11070898.

New Sluice Gates

Two (2) new 12-inch x 12-inch sluice gates will be added to the contract documents. See the attached record drawings file for limits of Work. The Work associated with the new sluice gates includes:

- Removal of two (2) existing 12-inch x 12-inch sluice gates – one sluice gate in each clarifier tank drain box. Remove sluice gates, stems, stem guides, and floorstand operators.
- Install two (2) new 12-inch x 12-inch composite sluice gates, stems, stem guides, 316 stainless steel frames, 304 stainless steel hardware, and handwheel actuators with floorstand – one sluice gate in each clarifier tank drain box. New sluice gates shall be designed for 15.5-ft of unseating head.

Acceptable manufacturers and model numbers for the two (2) new sluice gates are:

Mr. Anthony Benitez
Manatee County Government
November 1, 2011
Page 3 of 3

- Ashbrook Coplastix Gate Model 12 x 12 SGF 15.5/15.5 316SS
- JASH Slide Gate Model SG-S/305X305-CMP-FWM-M2-UFO

Include price for the Work associated with the new sluice gates under Bid Item No. 3 – Clarifiers in Specification Section 01150 – Measurement and Payment.

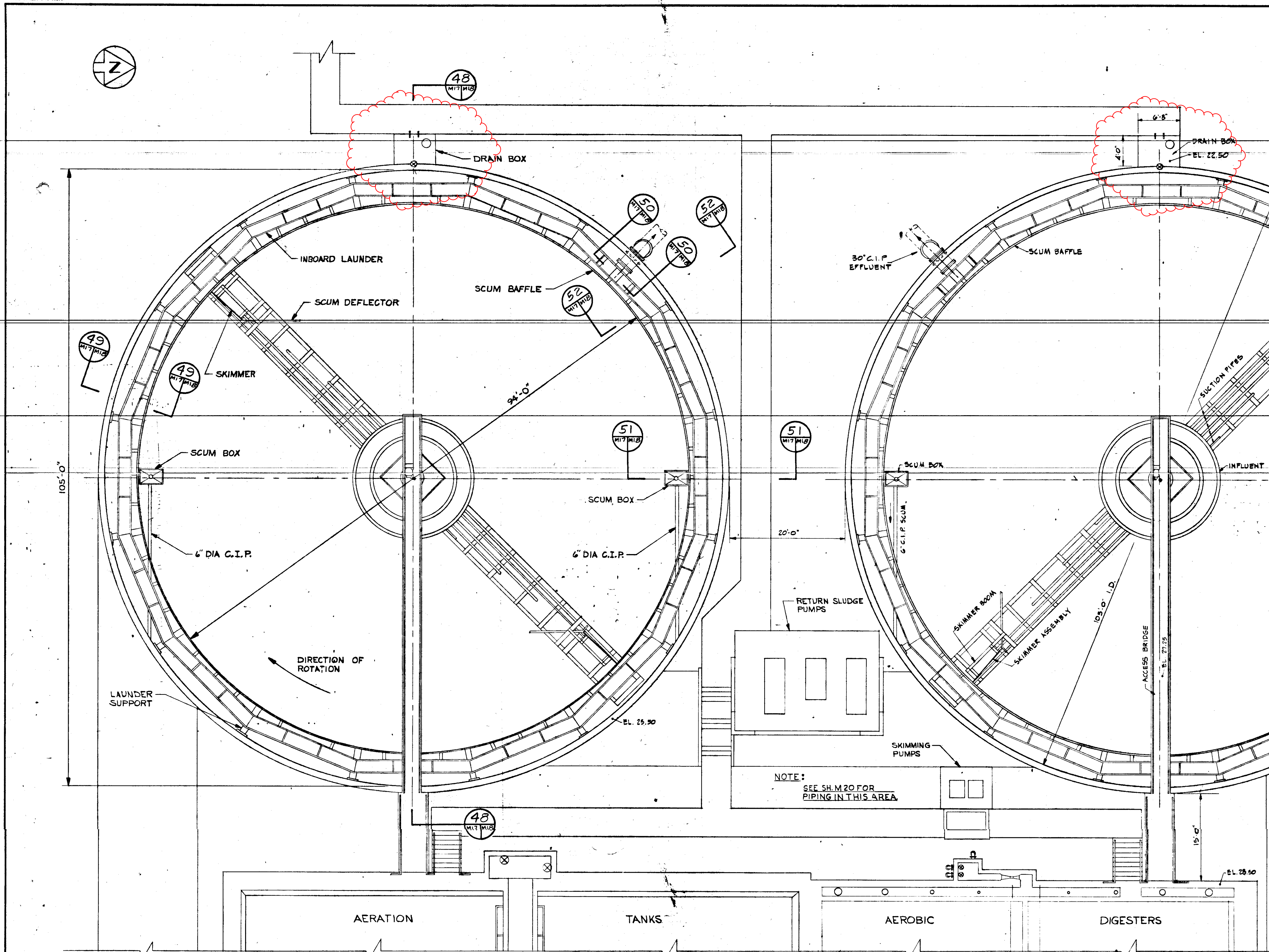
Sincerely,

CAROLLO ENGINEERS, INC.

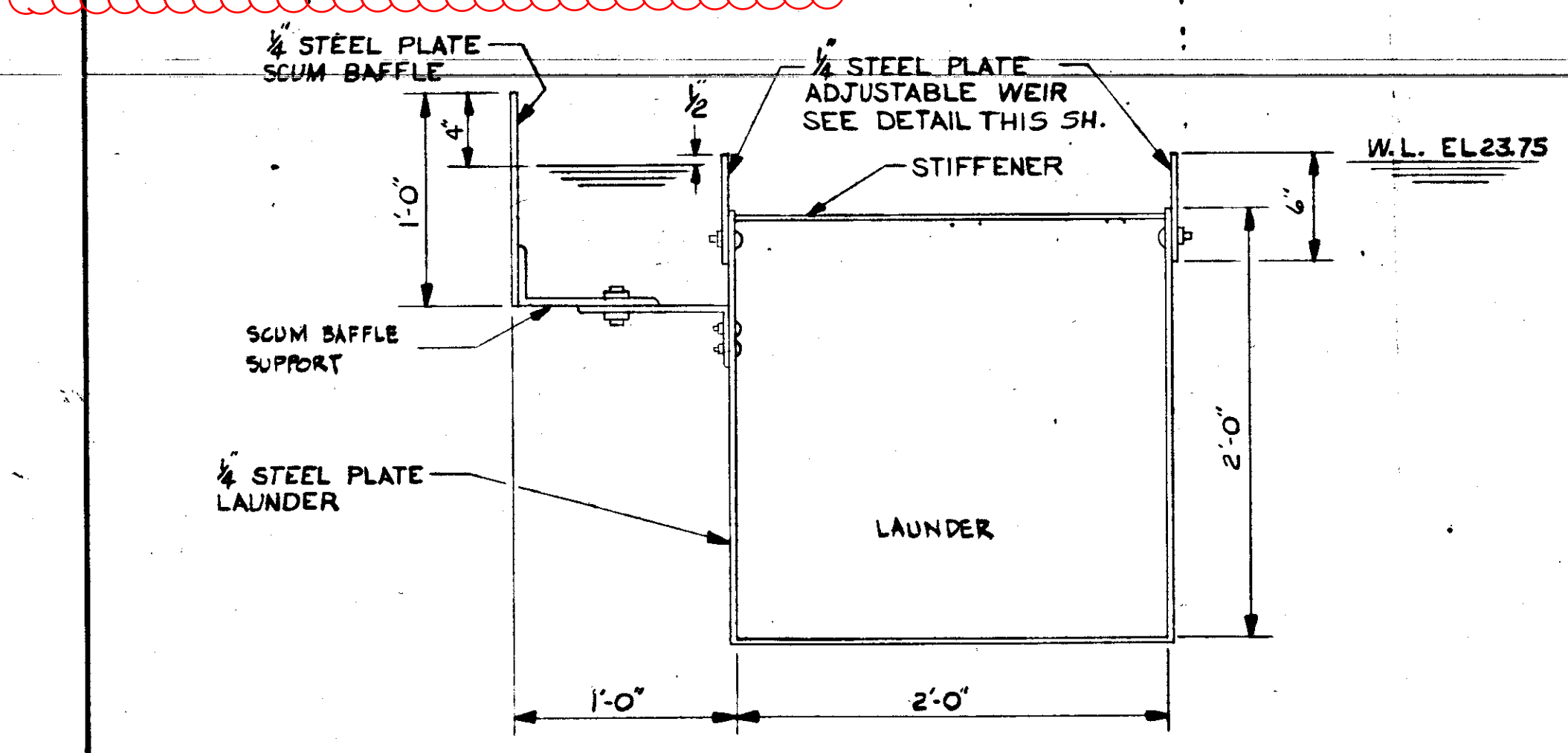
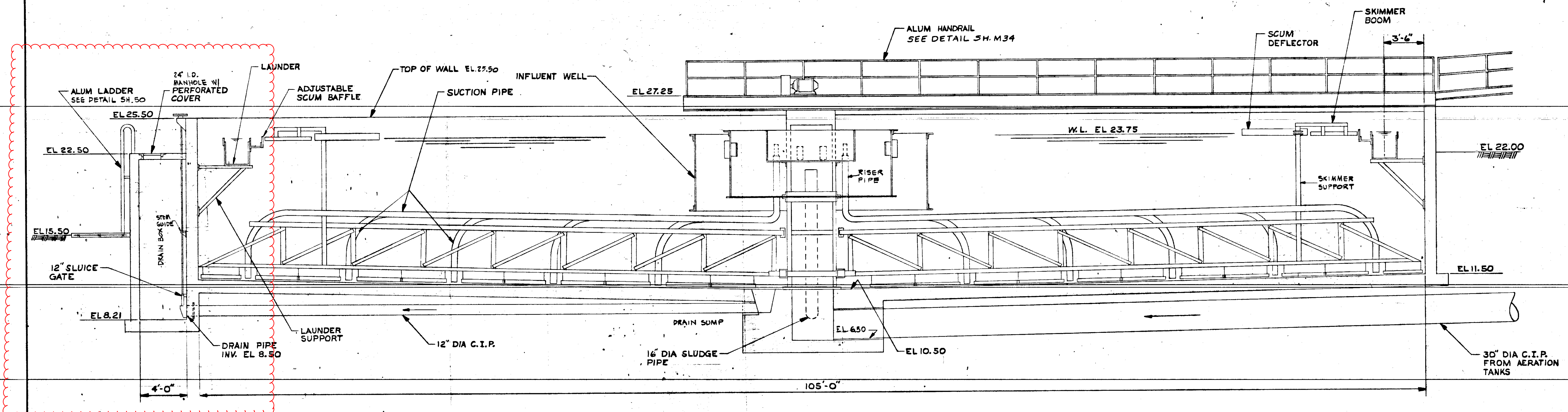
A handwritten signature in blue ink, appearing to read "Eric Peters".

Eric Peters, P.E.

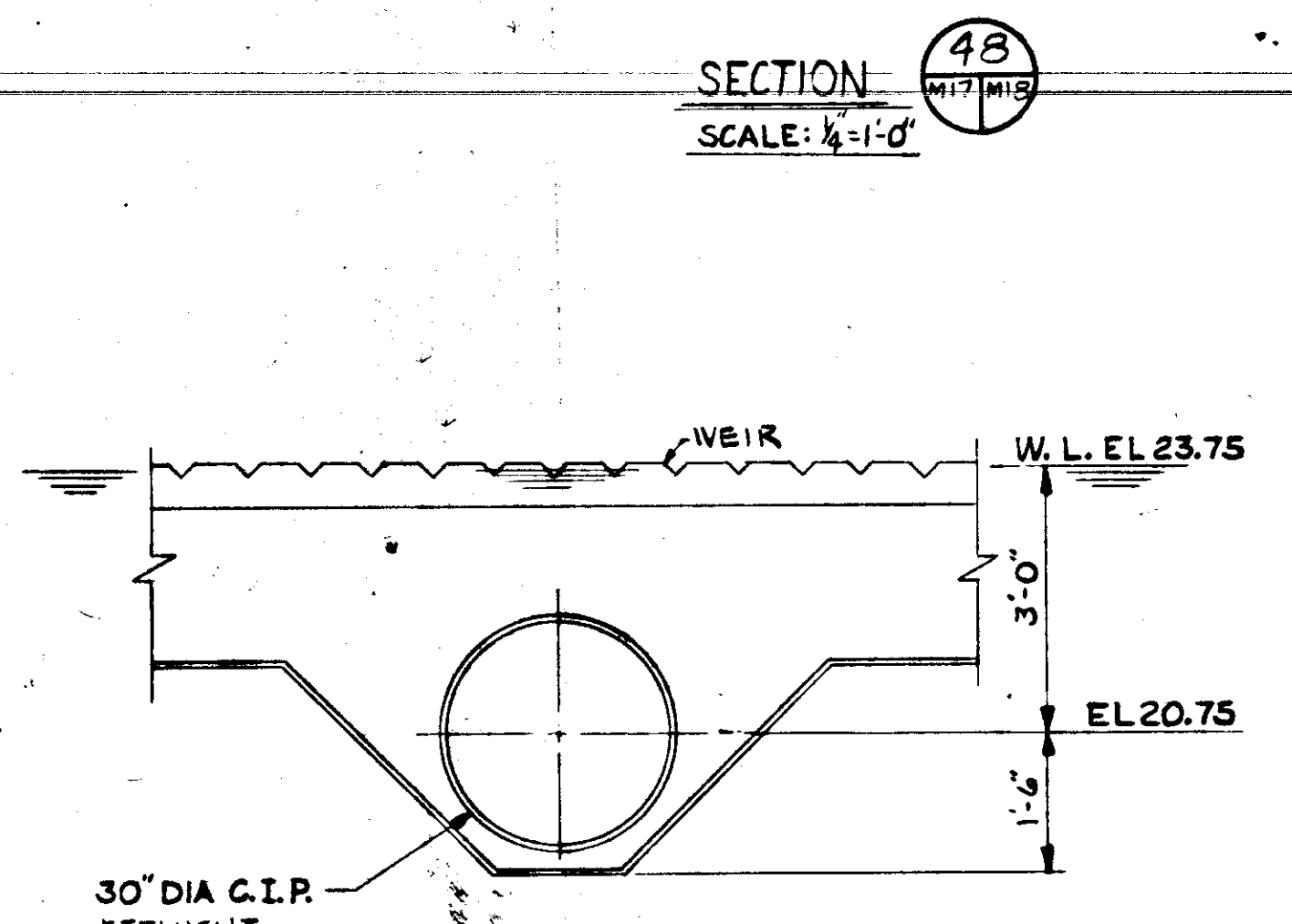
EP:maw



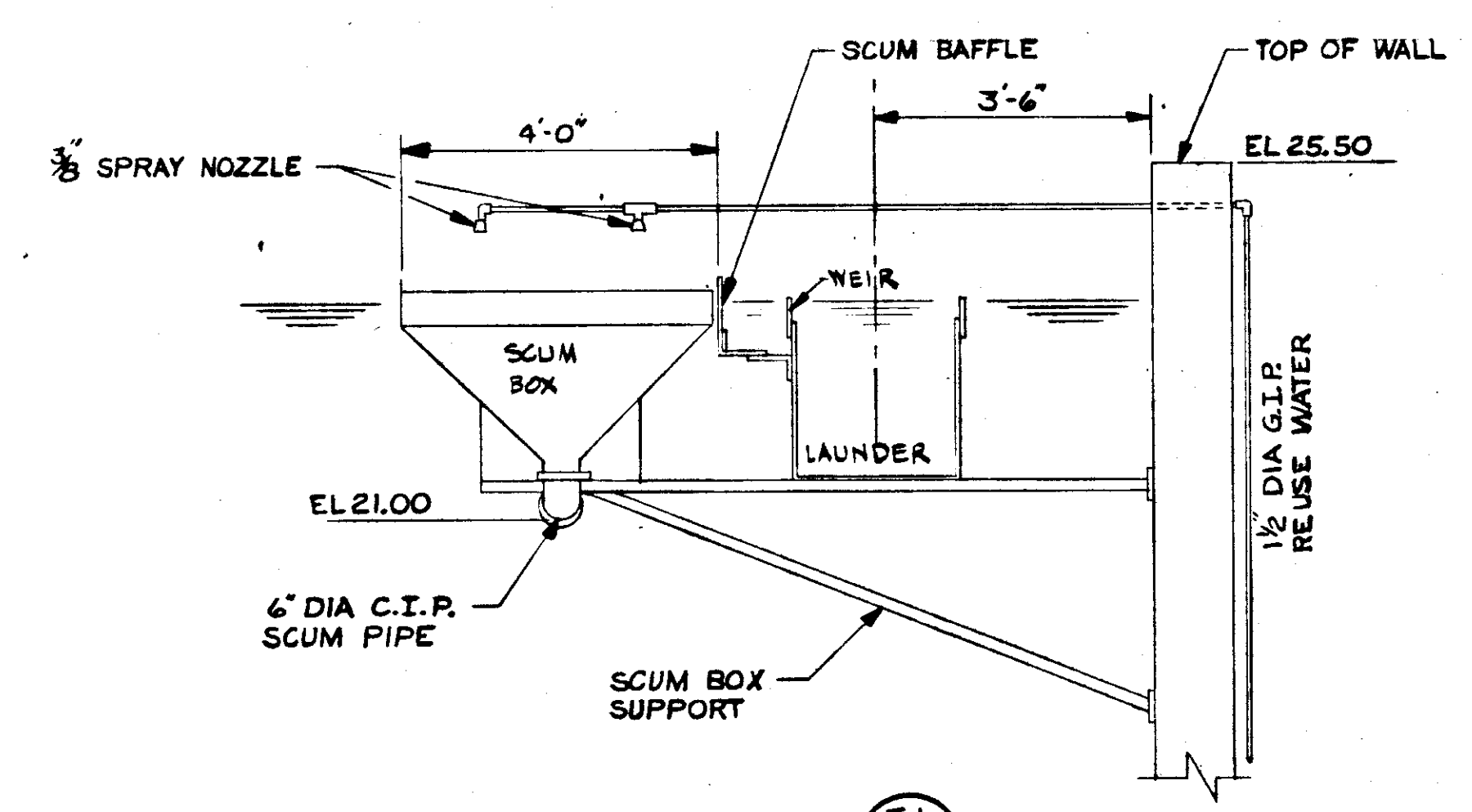
NO.	DATE	DESCRIPTION	BY	CHKD.
REVISIONS				
RUSSELL & AXON Consulting Engineers, Incorporated DAYTONA BEACH, FLA. ST. LOUIS, MO.				
SANITARY SEWERAGE PROJECT PART A SECTION I - TREATMENT FACILITIES				
CLARIFIERS - PLAN				
MANATEE COUNTY			FLORIDA	
DESIGNED BY W.P.C.	FILE NO. 6681-8b	SEAL JOHN W. RUSSELL No. 3522 STATE OF FLORIDA REGISTERED PROFESSIONAL ENGINEER		
DRAWN BY W.K.C.	SHEET of 112			
CHECKED BY JWC	No. 33 M17			
DATE DEC. 1971	SCALE: 1/8" = 1'-0"			



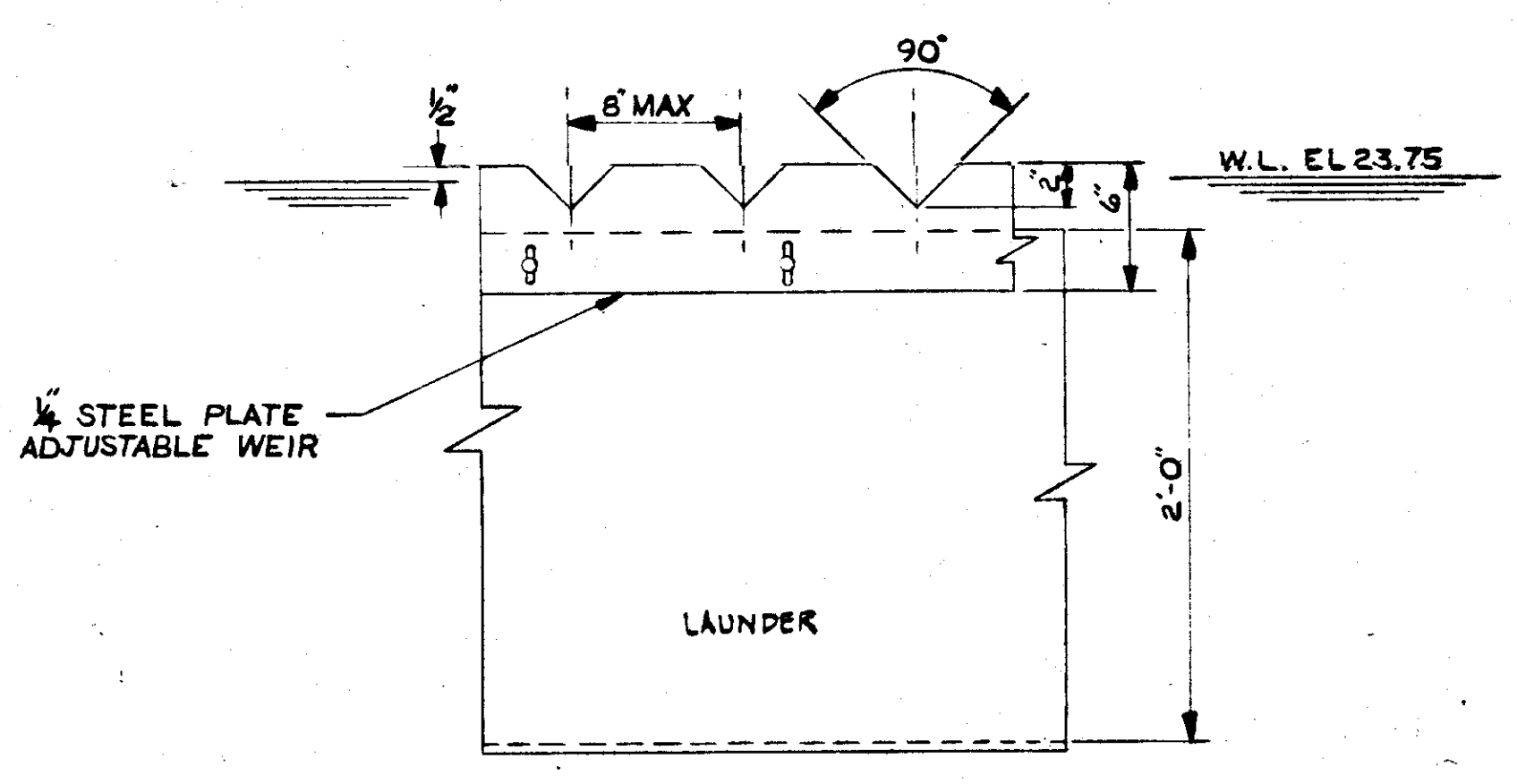
SECTION 49
SCALE: 1/2"=1'-0"



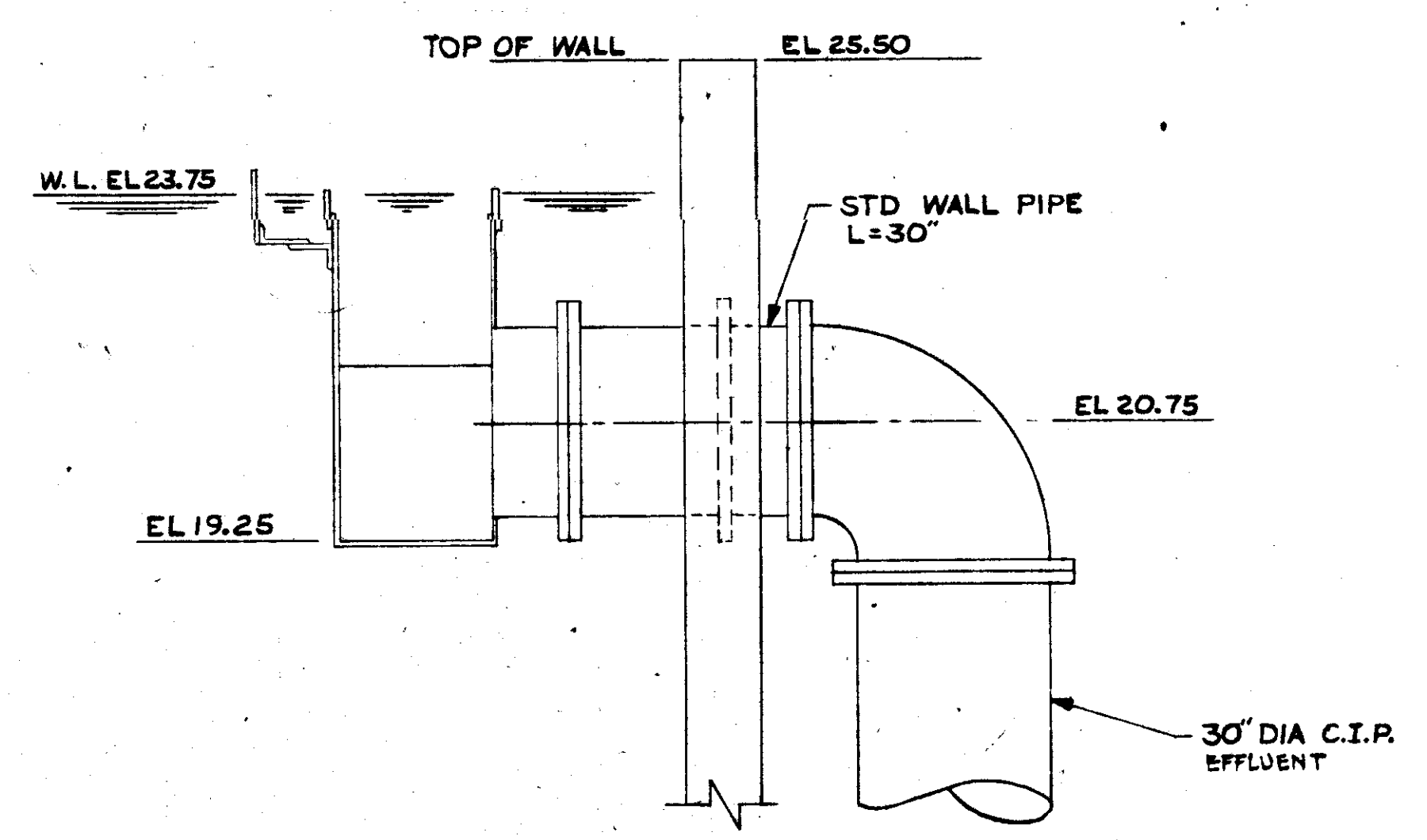
SECTION 50
SCALE: 1/2"=1'-0"



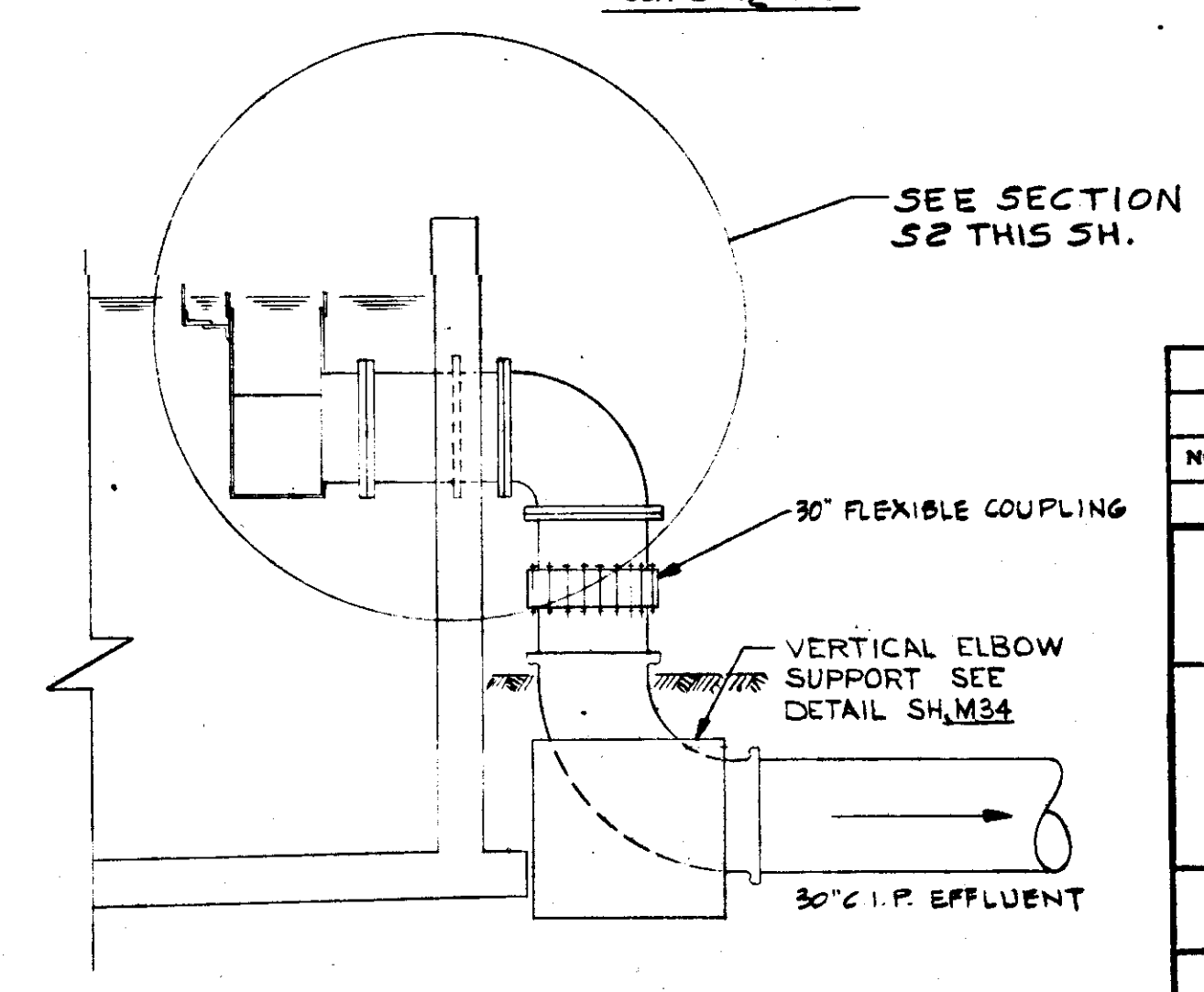
SECTION 51
SCALE: 1/2"=1'-0"



WEIR DETAIL
SCALE: 1/2"=1'-0"



SECTION 52
SCALE: 1/2"=1'-0"



SECTION 52
SCALE: 1/2"=1'-0"

NO.	DATE	DESCRIPTION	BY	CKD.
REVISIONS				
RUSSELL & AXON Consulting Engineers, Incorporated				
DAYTONA BEACH, FLA.		ST. LOUIS, MO.		
SANITARY SEWERAGE PROJECT				
PART A				
SECTION I - TREATMENT FACILITIES				
CLARIFIERS-SECTION B DETAILS				
MANATEE COUNTY		FLORIDA		
DESIGNED BY W.P.C.	FILE NO. 6681-8b			
DRAWN BY W.K.C.	SHEET No. 34 M18			
CHECKED BY J.W.C.	of 112 SHEETS			
DATE DEC. 1971	SCALE: AS SHOWN			

INFORMATION CONFERENCE: INVITATION FOR BID
IFB #11-2873DC SW WATER RECLAMATION FAC. CLARIFIER 1 & 2

DATE: OCTOBER 21, 2011

TIME: 10:00 AM @ SITE

TELEPHONE/ FAX/ EMAIL	NAME (PLEASE PRINT)	COMPANY NAME
708-7450 Ext 7335	Jeff STRAUGHTER	MCPW
708-7450 x 7333	ANTHONY BENITEZ	MCPW
954-818-2521 984 975-3333	Tom Sullivan	* RT Sullivan Corp ✓
* 407-846-3121 Fx 407-846-2887 jgorman@garney.com	Matt McKinnen for Jeff Gorman	Garney Construction ✓
P: 941-377-8555 F: 941-377-8542 emack@cardinalco.com	Eric Mack	Cardinal ✓
P (941) 377-8555 F (941) 377-8542 csandel@cardinalco.com	Chad Sandel	Cardinal Contractors ✓
941-722-0621 941-722-1382 F MHEATH@TWC DIVERSIFIED.COM	MARK HEATH	* TRC ✓
* 941-544-7407 JOHN B & HOLLAND PUMP CO	JOHN BLANCHETTE	* HOLLAND PUMP ✓
* NO FAX 727.919.7058 BILLK@PAW/DEMO.COM	BILL KILROY	* P.A.W. DEMO ✓
941/749-3074 deborah.carey-reed@mymanatee.org	DEBORAH CAREY-REED	Manatee Co. Purchasing

TELEPHONE/ FAX/ EMAIL	NAME (PLEASE PRINT)	COMPANY NAME
941-371-9832 941-371-9873 epeters@carollo.com	ERIC PETERS	CAROLLO ✓
941-371-9832 941-371-9873 jstolcke@carollo.com	Jennifer Stokke	Carollo ✓
407-321-8410 407-330-1092 dbragg@whartonsmith.com	Helia Yazdian	Wharton-Smith ✓
813-783-9119 Phone 813-783-9353 Fax bid5@rtdconstruction.com	Michele Campbell	RTD Construction, INC. ✓
	LARRY VAN WORMER	MC
	THOMAS W. BIRK	MANATEE COUNTY

TELEPHONE/ FAX/ EMAIL	NAME (PLEASE PRINT)	COMPANY NAME
941-723-1611 debbie@westraconst.com	Russ DesErma	Westra Const. ✓
727-445-7544 727-445-7534 Fax Kevin@brandesengineering.com	Jeremiah Jones	Brandes Design Build ✓
GREG.SCHOLL@MYMANATEE.ORG	GREGORY SCHOLL	MANATEE COUNTY
WIKI MTEMPEST@ICAN-TECH.W 813-936-2030 / 813-936-9268	MARK TEMPEST	ICAN / YASKAWA VFDs Amemad