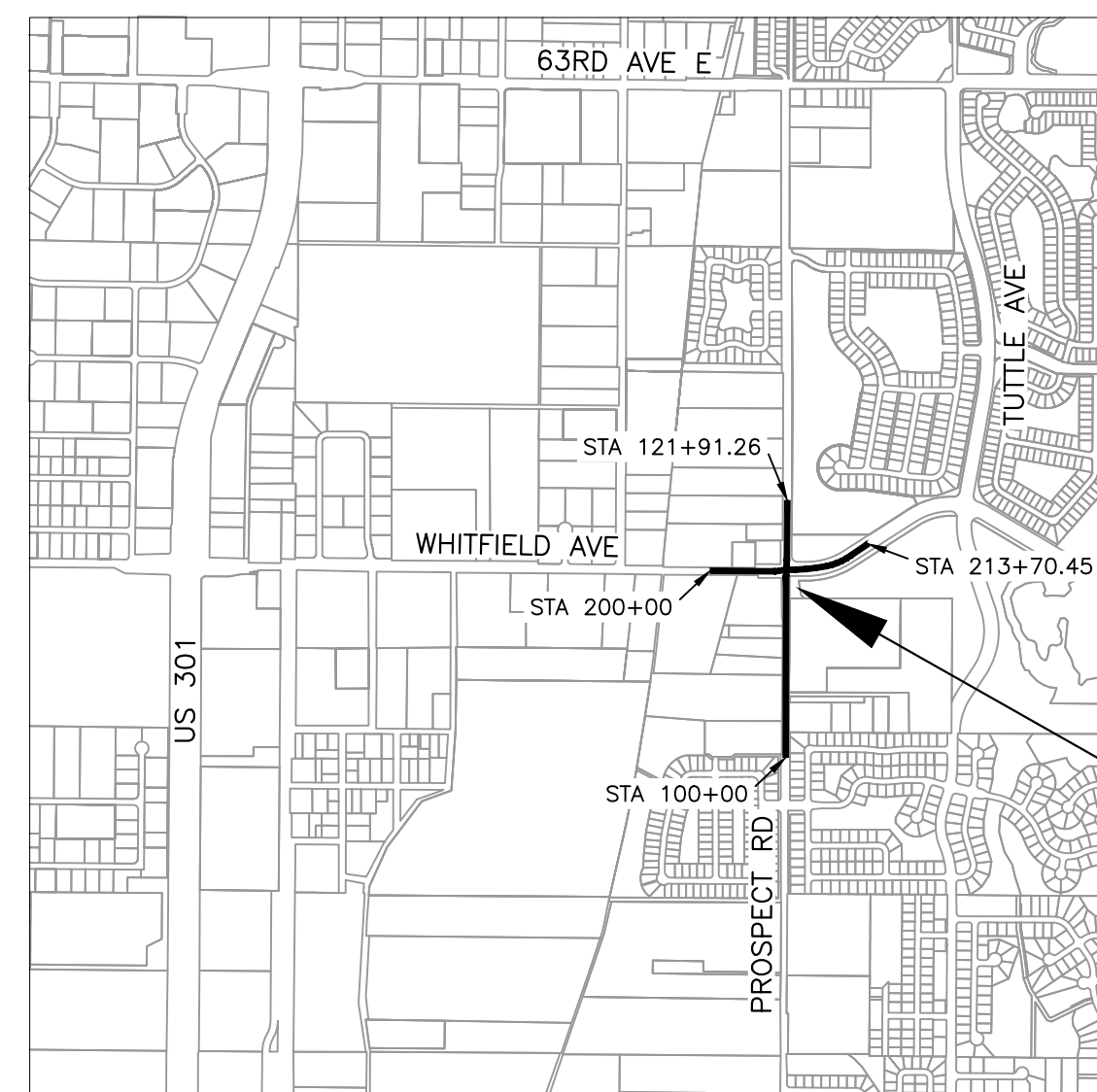


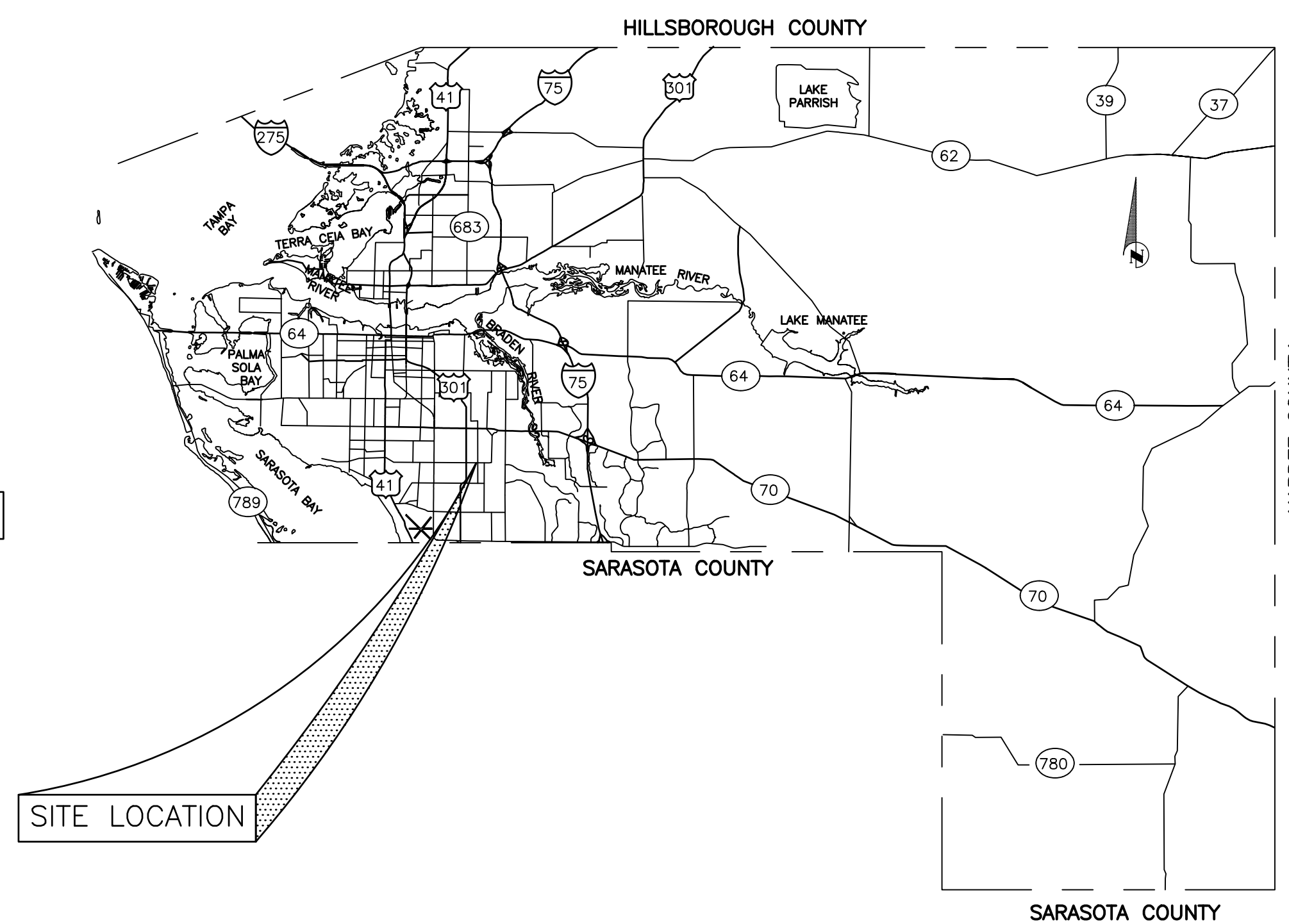
WHITFIELD AVE & PROSPECT RD MANATEE COUNTY, FLORIDA

May, 2019

30% PLANS



VICINITY MAP
N.T.S.



SITE LOCATION

NO.	INDEX OF SHEETS
01	COVER
02	NOTES & LEGEND
03	PLAN & PROFILE
04	DETAILS
05	EROSION CONTROL

PROJECT DESCRIPTION

BRIEFLY DESCRIBE THE PROJECT HERE. THIS DESCRIPTION NEED NOT BE AS COMPREHENSIVE OR AS DETAILED AS SECTION 1010 OF THE SPECIFICATIONS, "SUMMARY OF WORK".

**WHITFIELD AVE & PROSPECT RD
COVER
MANATEE COUNTY, FLORIDA**

NO.	REVISION DESCRIPTION	BY	DATE

PROJECT #	----	
SURVEY #	0577-005A	
SEC./TWN./RGE	20/29-35S-18E	
SCALE	N.T.S.	
	BY	DATE
SURVEYED	JTP	6-19-19
DESIGNED	??	MM/YYYY
DRAWN	???	MM/YYYY
CHECKED	???	MM/YYYY

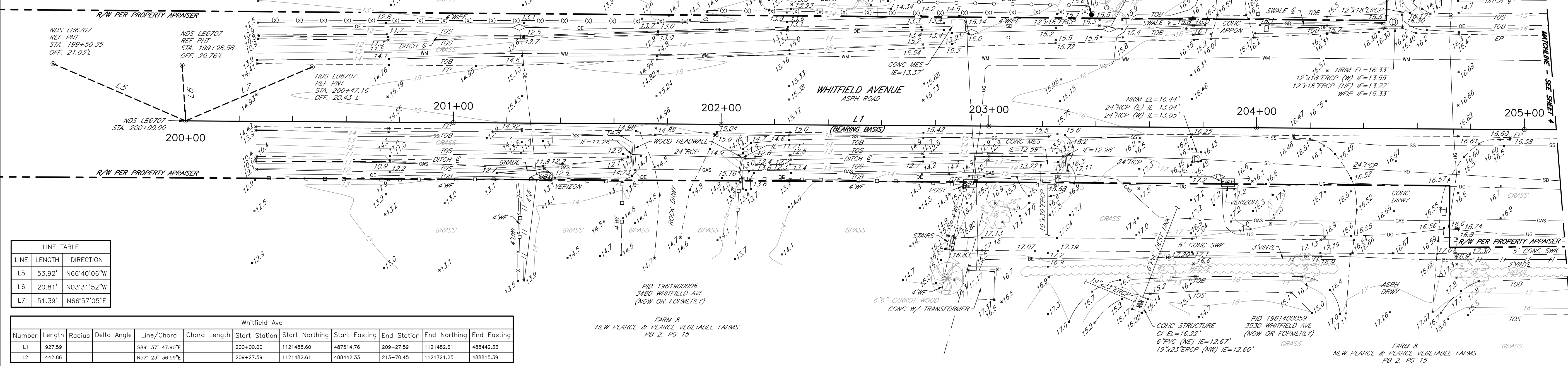
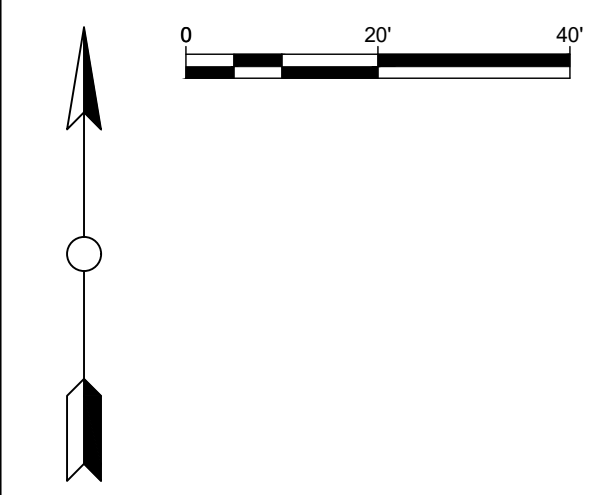
ENGINEER'S NAME
FLORIDA P.E. # ?????
Signature & Date



Know what's below
Call before you dig

I:\2019\Vegeta Surveys\Topographic\300_Whitfield-Prospect\0577-005A-COVER.dwg 10/12/2020 2:43 PM From Unnamed, 11 ANS full sheet D (34.00 x 22.00 meters), FULLSIZE=NO (1)=FAC-018

NOTE: NDS LB6707 AT EVERY 100' STATION ALONG SURVEY BASELINE.



LINE	LENGTH	DIRECTION
L5	53.92'	N66°40'06"W
L6	20.81'	N03°31'52"W
L7	51.39'	N66°57'05"E

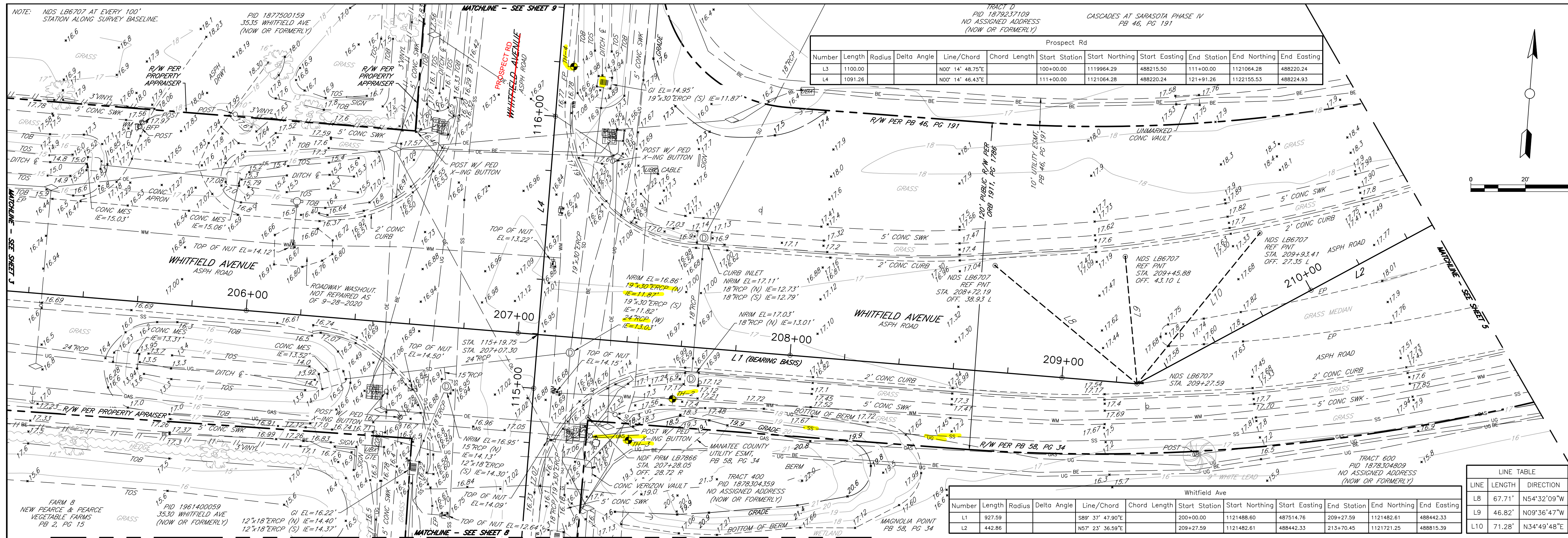
Whitfield Ave											
Number	Length	Radius	Delta Angle	Line/Chord	Chord Length	Start Station	Start Northing	Start Easting	End Station	End Northing	End Easting
L1	927.59			S89° 37' 47.90"E		200+00.00	1121488.60	487514.76	209+27.59	1121482.61	488442.33
L2	442.86			N57° 23' 36.59"E		209+27.59	1121482.61	488442.33	213+70.45	1121721.25	488815.39



**WHITFIELD AVE & PROSPECT RD
PLAN & PROFILE, STA. 200+00 TO 205+12
MANATEE COUNTY, FLORIDA**

NO.	REVISION DESCRIPTION	BY	DATE

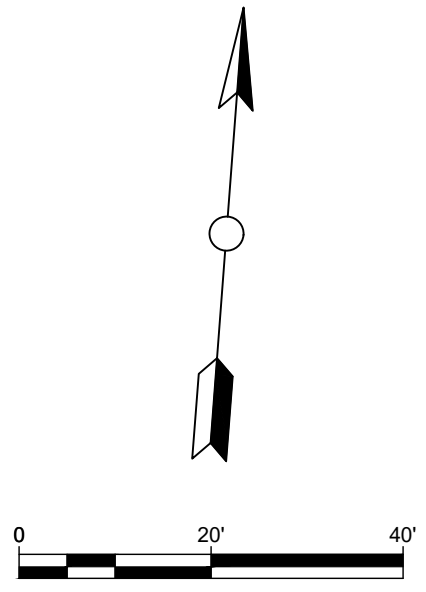
PROJECT #	----
SURVEY #	0577-005A
SEC./TWN./RGE	20/29-35S-18E
SCALE	SEE PLAN
BY DATE	
SURVEYED	JTP 6-19-19
DESIGNED	?? MM/YYYY
DRAWN	??? MM/YYYY
CHECKED	??? MM/YYYY
ENGINEER'S NAME	
FLORIDA P.E. # ?????	
Signature & Date	



Number	Length	Radius	Delta Angle	Line/Chord	Chord Length	Start Station	Start Northing	Start Easting	End Station	End Northing	End Easting
L3	1100.00			N00° 14' 48.75"E		100+00.00	1119964.29	488215.50	111+00.00	1121064.28	488220.24
L4	1091.26			N00° 14' 46.43"E		111+00.00	1121064.28	488220.24	121+91.26	1122155.53	488224.93

Whitfield Ave											
Number	Length	Radius	Delta Angle	Line/Chord	Chord Length	Start Station	Start Northing	Start Easting	End Station	End Northing	End Easting
L1	927.59			S89° 37' 47.90"E		200+00.00	1121488.60	487514.76	209+27.59	1121482.61	488442.33
L2	442.86			N57° 23' 36.59"E		209+27.59	1121482.61	488442.33	213+70.45	1121721.25	488815.39

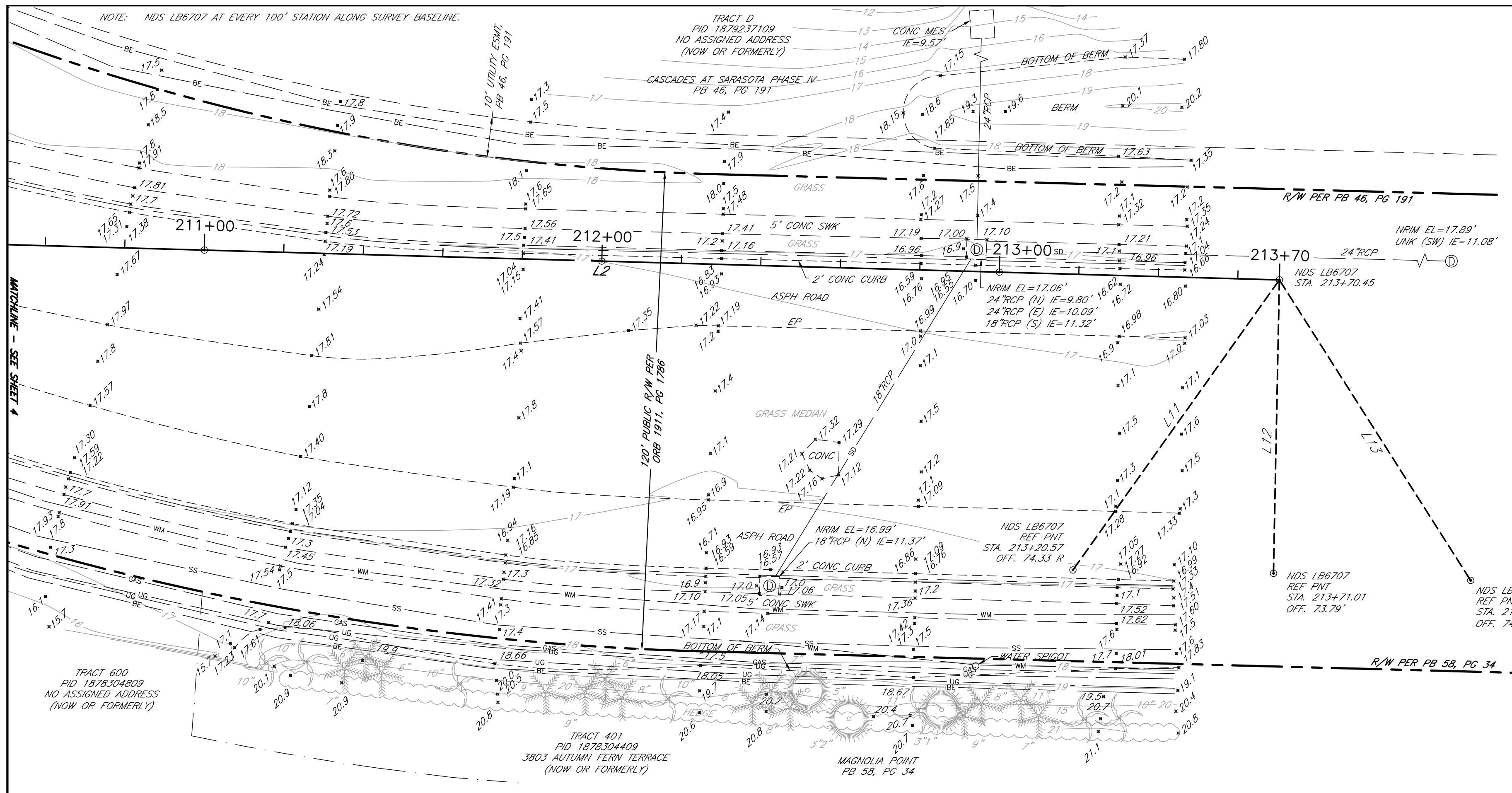
LINE TABLE		
LINE	LENGTH	DIRECTION
L8	67.71'	N54°32'09"W
L9	46.82'	N09°36'47"W
L10	71.28'	N34°49'48"E



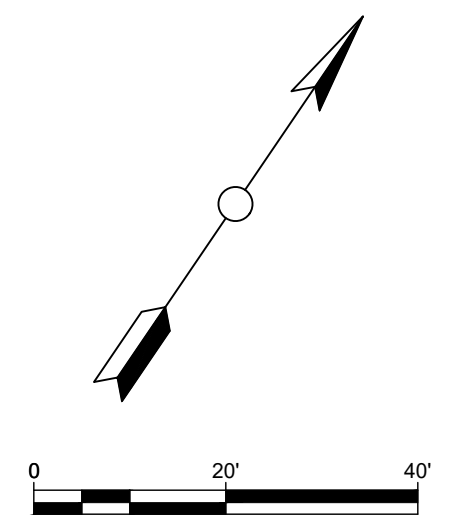
**WHITFIELD AVE & PROSPECT RD
PLAN & PROFILE, STA. 205+12 TO 210+51
MANATEE COUNTY, FLORIDA**

NO.	REVISION DESCRIPTION	BY	DATE

PROJECT #	----
SURVEY #	0577-005A
SEC./TWN./RGE	20/29-35S-18E
SCALE	SEE PLAN
SURVEYED	JTP 6-19-19
DESIGNED	?? MM/YYYY
DRAWN	??? MM/YYYY
CHECKED	??? MM/YYYY
ENGINEER'S NAME	
FLORIDA P.E. # ?????	
Signature & Date	



TEST HOLE DATA (OMNI COMMUNICATIONS REPORT, JOB #33-19-010)					
TEST HOLE	UTILITY	FIELD MARKING	GROUND EL (FEET)	TOP OF PIPE (FEET)	NOTES PER OMNI REPORT
TH-01	8" PVC WATER LINE	FOUND HUB AND LATH MARKED BH TH1, C-3.35	17.50	14.15	8" PVC WL
TH-02	8" PVC WATER LINE	FOUND HUB AND LATH MARKED BH TH2, C-2.48	17.31	14.83	8" PVC WL
TH-03	LOOKING FOR GAS LINE (SEE NOTES COLUMN)	FOUND HUB AND LATH MARKED BH TH3	18.76	N/A	NO UTILITY FOUND. LOOKING FOR GAS. NEED M.O.T. TO DIG IN PROPOSED LOCATION OF EXCAVATION PROVIDED IN JOB FOLDER. (STORM BLOCKING EXCAVATION IN GRASS BETWEEN SIDEWALK AND BACK OF CURB). TEST HOLE ATTEMPTED IN CLEAR AREA CLOSEST TO SIGNAL PROVIDED BY EQUIPMENT HOOKED TO TRACER WIRE. TO DEEP.
TH-04	8" PVC WATER LINE	FOUND HUB AND LATH MARKED BH TH4, C-3.45	16.71	13.26	8" PVC WL
TH-05	8" PVC WATER LINE	FOUND HUB AND LATH MARKED BH TH5, C-3.32	15.99	12.67	8" PVC WL
TH-06	LOOKING FOR FORCE MAIN (SEE NOTES COLUMN)	FOUND HUB AND LATH MARKED BH TH6	16.40	N/A	LOOKING FOR FM. UNABLE TO REACH. GPR CANNOT SEE PAST 4' DUE TO WET CONDITIONS. ELECTRONIC DEPTH WITH VM810 READS 12".



LINE TABLE		
LINE	LENGTH	DIRECTION
L11	89.51'	S01°15'12"E
L12	73.79'	S33°02'34"E
L13	89.55'	S66°40'53"E

Whitfield Ave											
Number	Length	Radius	Delta Angle	Line/Chord	Chord Length	Start Station	Start Northing	Start Easting	End Station	End Northing	End Easting
L1	927.59			S89° 37' 47.90"E		200+00.00	1121488.60	487514.76	209+27.59	1121482.61	488442.33
L2	442.86			N65° 23' 36.99"E		209+27.59	1121482.61	488442.33	213+70.45	1121721.25	488815.39



**WHITFIELD AVE & PROSPECT RD
PLAN & PROFILE, STA. 210+51 TO 213+70
MANATEE COUNTY, FLORIDA**

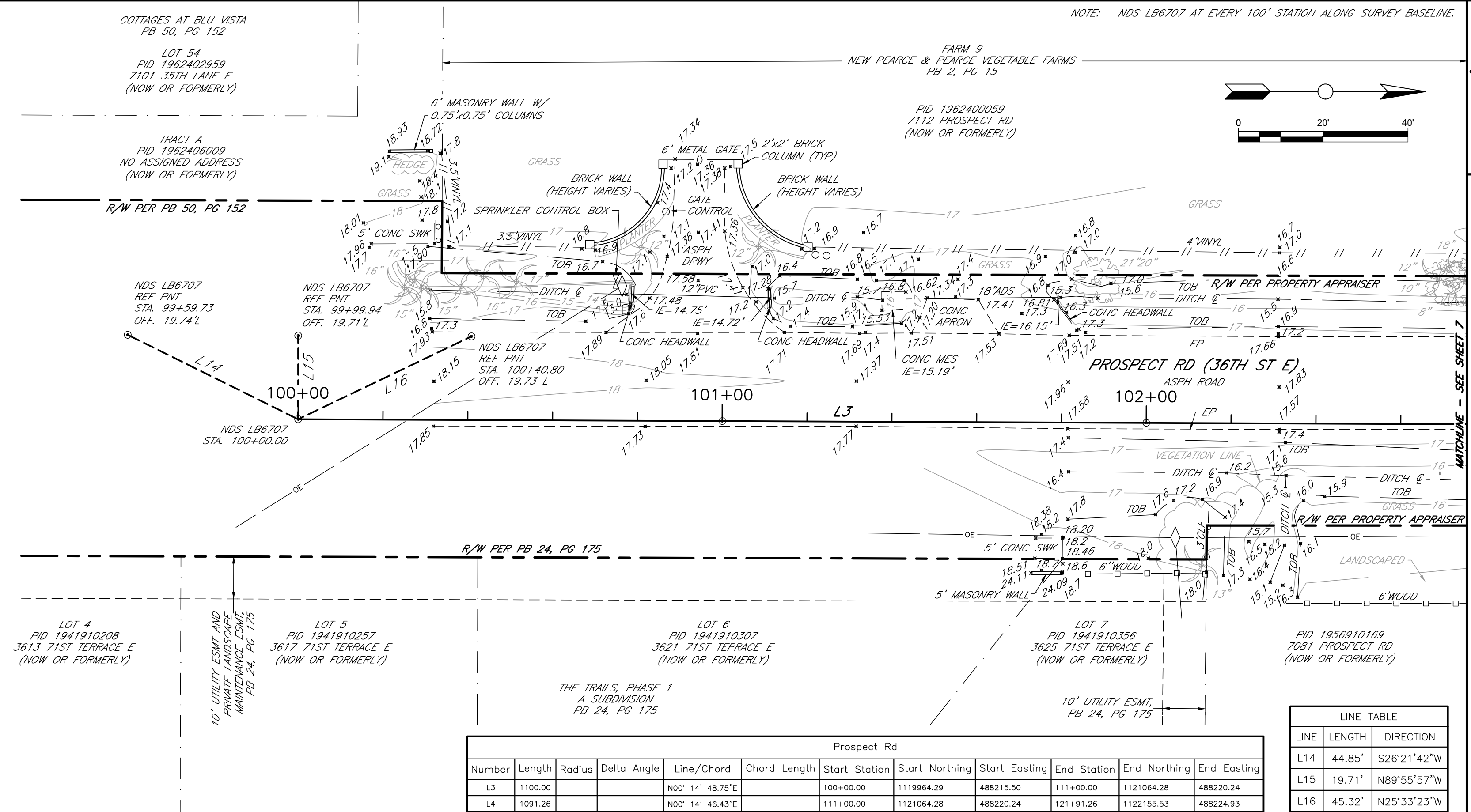
NO.	REVISION DESCRIPTION	BY	DATE

PROJECT #	----
SURVEY #	0577-005A
SEC./TWN./RGE	20/29-35S-18E
SCALE	SEE PLAN
SURVEYED	JTP 6-19-19
DESIGNED	?? MM/YYYY
DRAWN	??? MM/YYYY
CHECKED	??? MM/YYYY
ENGINEER'S NAME	
FLORIDA P.E. # ?????	
Signature & Date	

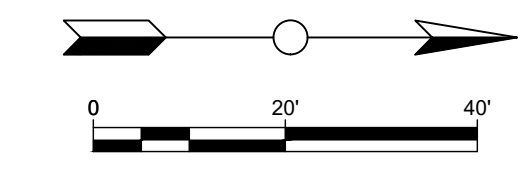


PUBLIC WORKS DEPARTMENT
ENGINEERING SERVICES
1022 26th Avenue East, Bradenton, FL 34208

WHITFIELD AVE & PROSPECT RD PLAN & PROFILE, STA. 100+00 TO 102+76 MANATEE COUNTY, FLORIDA



NOTE: NDS LB6707 AT EVERY 100' STATION ALONG SURVEY BASELINE.



Prospect Rd											
Number	Length	Radius	Delta Angle	Line/Chord	Chord Length	Start Station	Start Northing	Start Easting	End Station	End Northing	End Easting
L3	1100.00			N00° 14' 48.75"E		100+00.00	1119964.29	488215.50	111+00.00	1121064.28	488220.24
L4	1091.26			N00° 14' 46.43"E		111+00.00	1121064.28	488220.24	121+91.26	1122155.53	488224.93

LINE TABLE		
LINE	LENGTH	DIRECTION
L14	44.85'	S26°21'42"W
L15	19.71'	N89°55'57"W
L16	45.32'	N25°33'23"W

NO.	REVISION DESCRIPTION	BY	DATE

ENGINEER'S NAME
FLORIDA P.E. # ?????
Signature & Date

COTTAGES AT BLU VISTA
PB 50, PG 152

LOT 54
PID 1962402859
7101 35TH LANE E
(NOW OR FORMERLY)

TRACT A
PID 1962406009
NO ASSIGNED ADDRESS
(NOW OR FORMERLY)

R/W PER PB 50, PG 152

NDS LB6707
REF PNT
STA. 394+29.73
OFF. 19.74 L

NDS LB6707
REF PNT
STA. 394+29.94
OFF. 19.71 L

NDS LB6707
REF PNT
STA. 100+00.00
OFF. 19.73 L

NDS LB6707
REF PNT
STA. 100+40.80
OFF. 19.73 L

FARM 9
NEW PEARCE & PEARCE VEGETABLE FARMS
PB 2, PG 15

PID 1962400059
7112 PROSPECT RD
(NOW OR FORMERLY)

PROSPECT RD (36TH ST E)
ASPH ROAD

LOT 4
PID 1941910208
3613 71ST TERRACE E
(NOW OR FORMERLY)

10' UTILITY ESMT AND
PRIVATE LANDSCAPE
MAINTENANCE ESMT
PB 24, PG 175

LOT 5
PID 1941910257
3617 71ST TERRACE E
(NOW OR FORMERLY)

LOT 6
PID 1941910307
3621 71ST TERRACE E
(NOW OR FORMERLY)

THE TRAILS, PHASE 1
A SUBDIVISION
PB 24, PG 175

LOT 7
PID 1941910356
3625 71ST TERRACE E
(NOW OR FORMERLY)

10' UTILITY ESMT,
PB 24, PG 175

PID 1956910169
7081 PROSPECT RD
(NOW OR FORMERLY)

10' UTILITY ESMT,
PB 24, PG 175

5' CONCRETE SWK
18.46'

5' MASONRY WALL
24.09'

6" WOOD

LANDSCAPED

R/W PER PROPERTY APPRAISER

DITCH & TOB

VEGETATION LINE

R/W PER PROPERTY APPRAISER

CONC HEADWALL

CONC ASPREN

CONC MES
IE=15.19'

CONC ASPH DRIVEWAY

1" ASPH DRIVEWAY

3.5" VINYL

17.73'

17.71'

17.55'

17.45'

17.35'

17.25'

17.15'

17.05'

16.95'

16.85'

16.75'

16.65'

16.55'

16.45'

16.35'

16.25'

16.15'

16.05'

15.95'

15.85'

15.75'

15.65'

15.55'

15.45'

15.35'

15.25'

15.15'

15.05'

14.95'

14.85'

14.75'

14.65'

14.55'

14.45'

14.35'

14.25'

14.15'

14.05'

13.95'

13.85'

13.75'

13.65'

13.55'

13.45'

13.35'

13.25'

13.15'

13.05'

12.95'

12.85'

12.75'

12.65'

12.55'

12.45'

12.35'

12.25'

12.15'

12.05'

11.95'

11.85'

11.75'

11.65'

11.55'

11.45'

11.35'

11.25'

11.15'

11.05'

10.95'

10.85'

10.75'

10.65'

10.55'

10.45'

10.35'

10.25'

10.15'

10.05'

9.95'

9.85'

9.75'

9.65'

9.55'

9.45'

9.35'

9.25'

9.15'

9.05'

8.95'

8.85'

8.75'

8.65'

8.55'

8.45'

8.35'

8.25'

8.15'

8.05'

7.95'

7.85'

7.75'

7.65'

7.55'

7.45'

7.35'

7.25'

7.15'

7.05'

6.95'

6.85'

6.75'

6.65'

6.55'

6.45'

6.35'

6.25'

6.15'

6.05'

5.95'

5.85'

5.75'

5.65'

5.55'

5.45'

5.35'

5.25'

5.15'

5.05'

4.95'

4.85'

4.75'

4.65'

4.55'

4.45'

4.35'

4.25'

4.15'

4.05'

3.95'

3.85'

3.75'

3.65'

3.55'

3.45'

3.35'

3.25'

3.15'

3.05'

2.95'

2.85'

2.75'

2.65'

2.55'

2.45'

2.35'

2.25'

2.15'

2.05'

1.95'

1.85'

1.75'

1.65'

1.55'

1.45'

1.35'

1.25'

1.15'

1.05'

0.95'

0.85'

0.75'

0.65'

0.55'

0.45'

0.35'

0.25'

0.15'

0.05'

0.00'

18.903'

18.72'

18.54'

18.36'

18.18'

18.00'

17.82'

17.64'

17.46'

17.28'

17.10'

16.92'

16.74'

16.56'

16.38'

16.20'

16.02'

15.84'

15.66'

15.48'

15.30'

15.12'

14.94'

14.76'

14.58'

14.40'

14.22'

14.04'

13.86'

13.68'

13.50'

13.32'

13.14'

12.96'

12.78'

12.60'

12.42'

12.24'

12.06'

11.88'

11.70'

11.52'

11.34'

11.16'

10.98'

10.80'

10.62'

10.44'

10.26'

10.08'

9.90'

9.72'

9.54'

9.36'

9.18'

9.00'

8.82'

8.64'

8.46'

8.28'

8.10'

7.92'

7.74'

7.56'

7.38'

7.20'

7.02'

6.84'

6.66'

6.48'

6.30'

6.12'

5.94'

5.76'

5.58'

5.40'

5.22'

5.04'

4.86'

4.68'

4.50'

4.32'

4.14'

3.96'

3.78'

3.60'

3.42'

3.24'

3.06'

2.88'

2.70'

2.52'

2.34'

2.16'

1.98'

1.80'

1.62'

1.44'

1.26'

1.08'

0.90'

0.72'

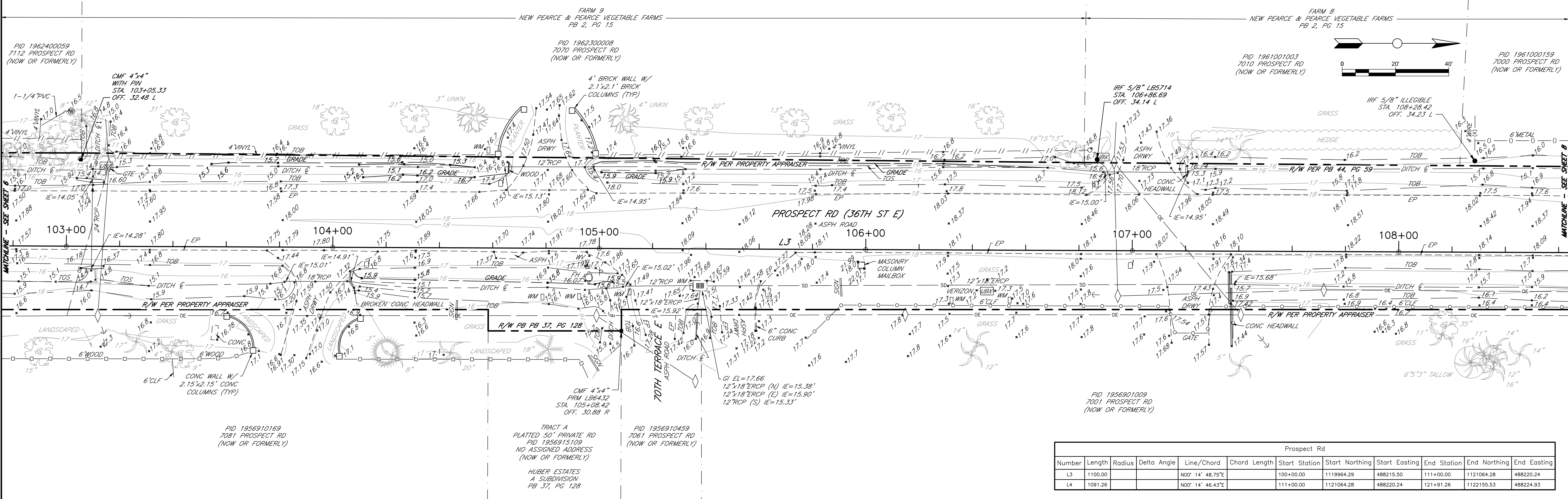
0.54'

0.36'

0.18'

0.00'

NOTE: NDS LB6707 AT EVERY 100' STATION ALONG SURVEY BASELINE.



Manatee County
FLORIDA

PUBLIC WORKS DEPARTMENT
ENGINEERING SERVICES
1022 26th Avenue East, Bradenton, FL 34208

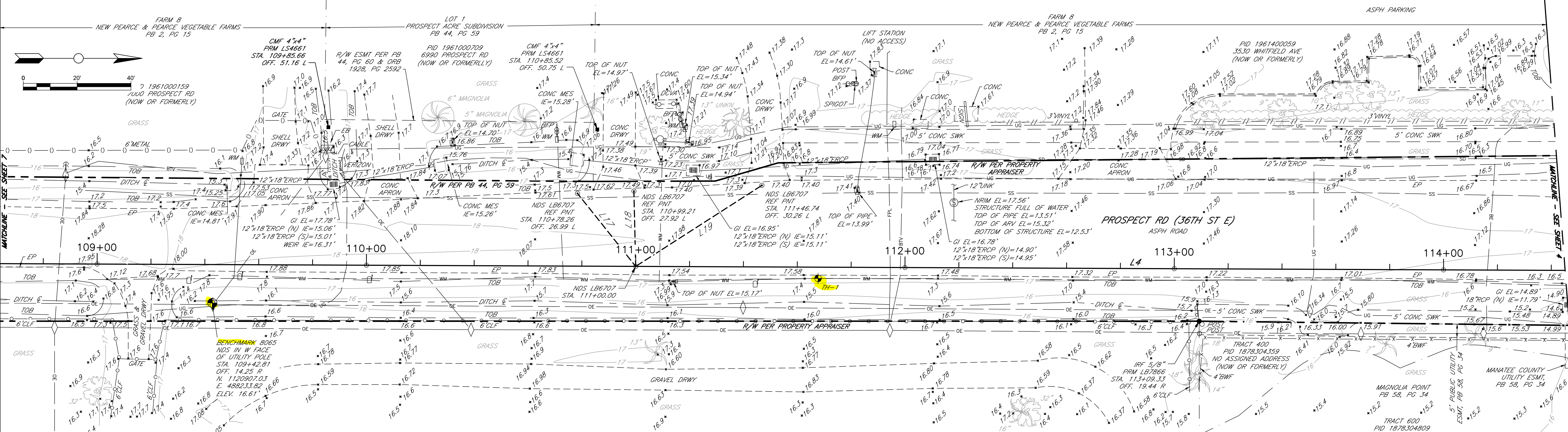
**WHITFIELD AVE & PROSPECT RD
PLAN & PROFILE, STA. 102+76 TO 108+64
MANATEE COUNTY, FLORIDA**

Prospect Rd											
Number	Length	Radius	Delta Angle	Line/Chord	Chord Length	Start Station	Start Northing	Start Easting	End Station	End Northing	End Easting
L3	1100.00			N00° 14' 48.75"E		100+00.00	1119964.29	488215.50	1111+00.00	1121064.28	488220.24
L4	1091.26			N00° 14' 46.43"E		111+00.00	1121064.28	488220.24	121+91.26	1122155.53	488224.93

NO.	REVISION DESCRIPTION	BY	DATE

PROJECT #	----
SURVEY #	0577-005A
SEC./TWN./RGE	20/29-35S-18E
SCALE	SEE PLAN
	BY DATE
SURVEYED	JTP 6-19-19
DESIGNED	?? MM/YYYY
DRAWN	??? MM/YYYY
CHECKED	??? MM/YYYY
ENGINEER'S NAME	
FLORIDA P.E. # ?????	
Signature & Date	

NOTE: NDS LB6707 AT EVERY 100' STATION ALONG SURVEY BASELINE.



Prospect Rd											
Number	Length	Radius	Delta Angle	Line/Chord	Chord Length	Start Station	Start Northing	Start Easting	End Station	End Northing	End Easting
L3	1100.00			N00° 14' 48.75"E		109+00.00	1119964.29	488215.50	111+00.00	1121064.28	488220.24
L4	1091.26			N00° 14' 46.43"E		111+00.00	1121064.28	488220.24	121+91.26	1122155.53	488224.93

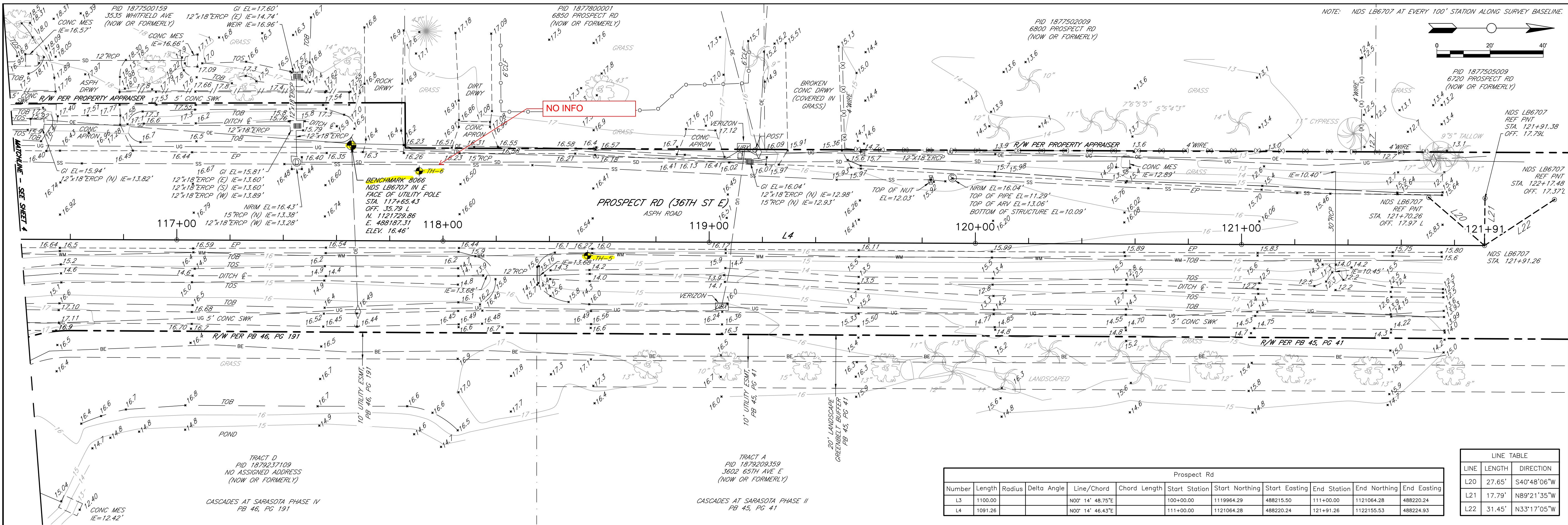
LINE TABLE		
LINE	LENGTH	DIRECTION
L17	34.65'	S51°23'49"W
L18	27.94'	S88°37'30"W
L19	55.68'	N32°40'40"W



**WHITFIELD AVE & PROSPECT RD
PLAN & PROFILE, STA. 108+64 TO 114+45
MANATEE COUNTY, FLORIDA**

NO.	REVISION DESCRIPTION	BY	DATE

PROJECT #	----
SURVEY #	0577-005A
SEC./TWN./RGE	20/29-35S-18E
SCALE	SEE PLAN
SURVEYED	JTP 6-19-19
DESIGNED	?? MM/YYYY
DRAWN	??? MM/YYYY
CHECKED	??? MM/YYYY
ENGINEER'S NAME	
FLORIDA P.E. # ?????	
Signature & Date	



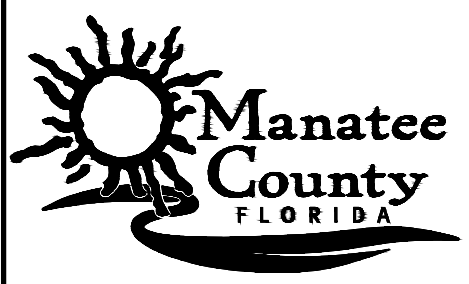
Prospect Rd											
Number	Length	Radius	Delta Angle	Line/Chord	Chord Length	Start Station	Start Northing	Start Easting	End Station	End Northing	End Easting
L3	1100.00			N00° 14' 48.75"E		100+00.00	1119964.29	488215.50	111+00.00	1121064.28	488220.24
L4	1091.26			N00° 14' 46.43"E		111+00.00	1121064.28	488220.24	121+91.26	1122155.53	488224.93

LINE TABLE		
LINE	LENGTH	DIRECTION
L20	27.65'	S40°48'06"W
L21	17.79'	N89°21'35"W
L22	31.45'	N33°17'05"W

**WHITFIELD AVE & PROSPECT RD
PLAN & PROFILE, STA. 116+41 TO 121+91
MANATEE COUNTY, FLORIDA**

NO.	REVISION DESCRIPTION	BY	DATE

PROJECT #	----
SURVEY #	0577-005A
SEC./TWN./RGE	20/29-35S-18E
SCALE	SEE PLAN
SURVEYED	JTP 6-19-19
DESIGNED	?? MM/YYYY
DRAWN	??? MM/YYYY
CHECKED	??? MM/YYYY
ENGINEER'S NAME	
FLORIDA P.E. # ?????	
Signature & Date	



PUBLIC WORKS DEPARTMENT
ENGINEERING SERVICES
1022 26th Avenue East, Bradenton, FL 34208

**WHITFIELD AVE & PROSPECT RD
MANATEE COUNTY, FLORIDA**

**SECTIONS
SECTIONS**

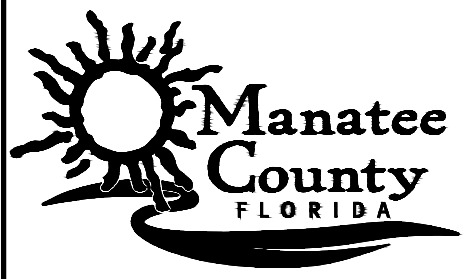
NO.	REVISION DESCRIPTION	BY	DATE

PROJECT #	----
SURVEY #	0577-005A
SEC./TWN./RGE	20/29-35S-18E
SCALE	SEE PLAN
	BY DATE
SURVEYED	JTP 6-19-19
DESIGNED	?? MM/YYYY
DRAWN	??? MM/YYYY
CHECKED	??? MM/YYYY

ENGINEER'S NAME
FLORIDA P.E. # ?????

Signature & Date

I:\2019\Veiga Surveys\Topographic\3000_Whitfield-Prospect.dwg, 10/17/2020 2:44 PM Brian Bonkwater, 11, ANSI Full Bleed D (14.00 x 22.00 inches), PUBLISH-MONO (1), PLOT-C1B



PUBLIC WORKS DEPARTMENT
ENGINEERING SERVICES
1022 26th Avenue East, Bradenton, FL 34208

**WHITFIELD AVE & PROSPECT RD
DETAILS
MANATEE COUNTY, FLORIDA**

NO.	REVISION DESCRIPTION	BY	DATE

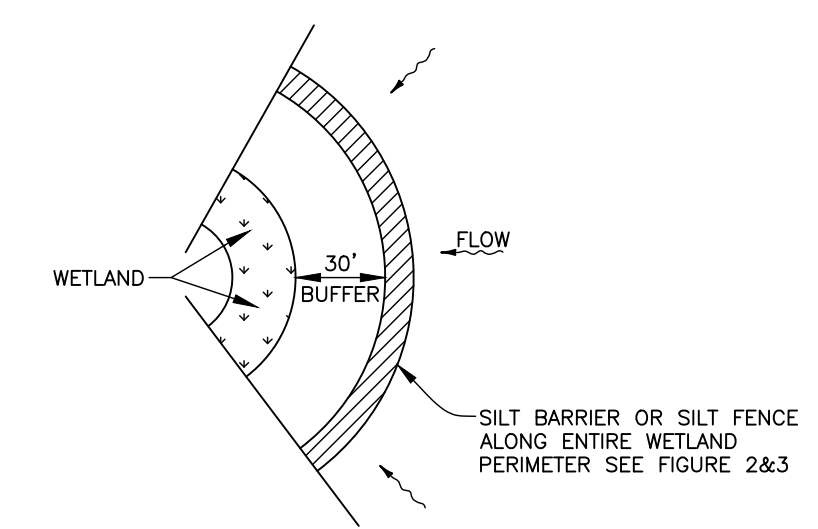
PROJECT #	----
SURVEY #	0577-005A
SEC./TWN./RGE	20/29-35S-18E
SCALE	SEE PLAN
	BY DATE
SURVEYED	JTP 6-19-19
DESIGNED	?? MM/YYYY
DRAWN	??? MM/YYYY
CHECKED	??? MM/YYYY

ENGINEER'S NAME
FLORIDA P.E. # ?????

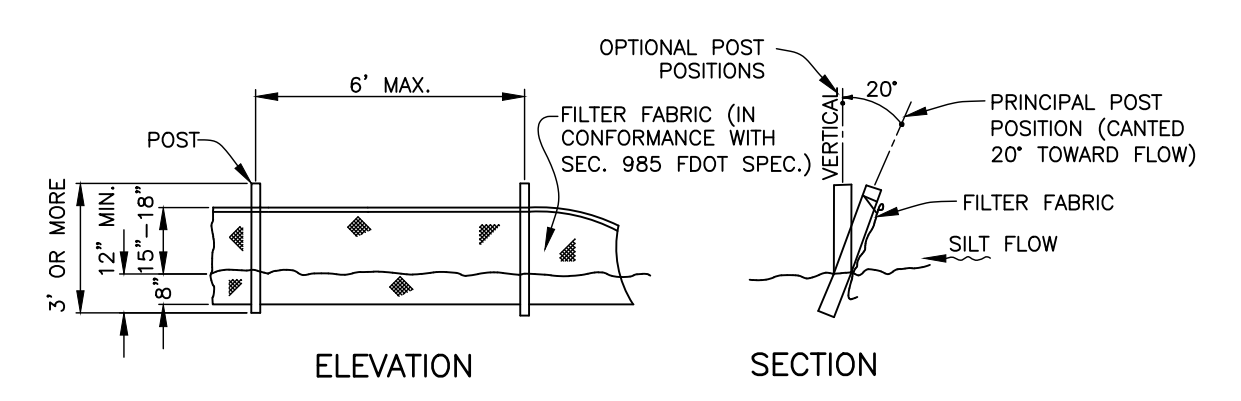
Signature & Date

H:\2019\Veiga Surveys\Veiga Surveys\000_Whitfield-Prospect\000_Whitfield-Prospect\11-DETAILS_10/27/2020 2:44 PM BRON.DRW (watermark - 11, ANSI full bleed 11 (84.00 x 22.00 inches), FULLSIZE-WDWD (11)-P05C18

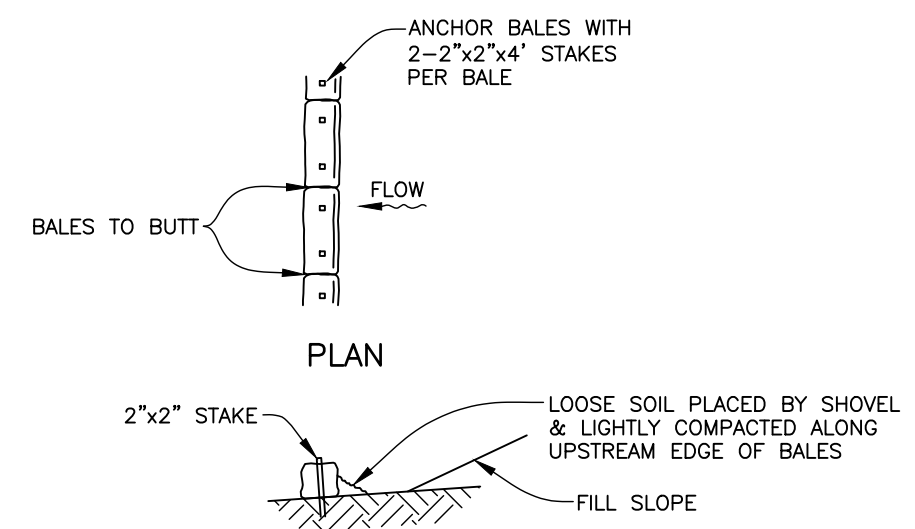
WHITFIELD AVE & PROSPECT RD
ENVIRONMENTAL CONTROL
MANATEE COUNTY, FLORIDA



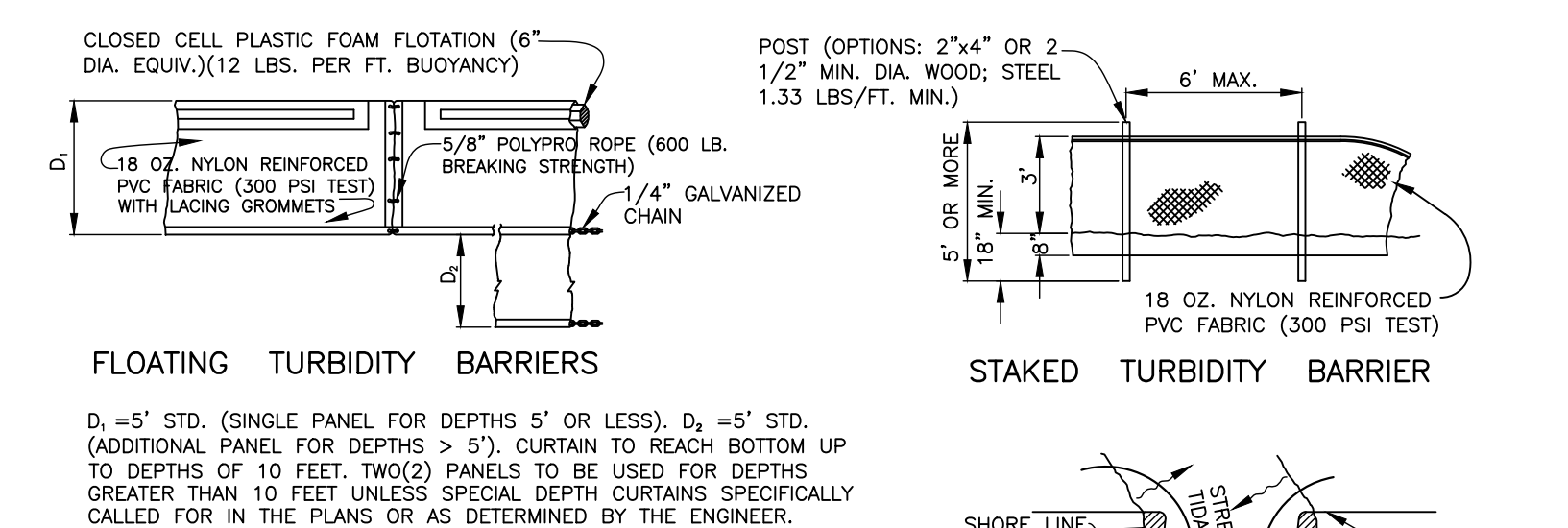
WETLAND BUFFER
FIGURE 1



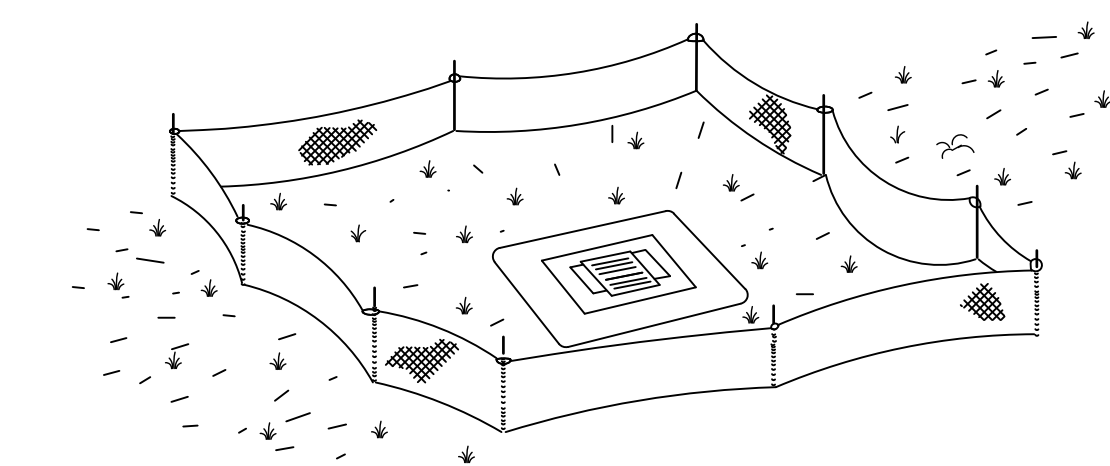
TYPICAL SILT FENCE
FIGURE 2



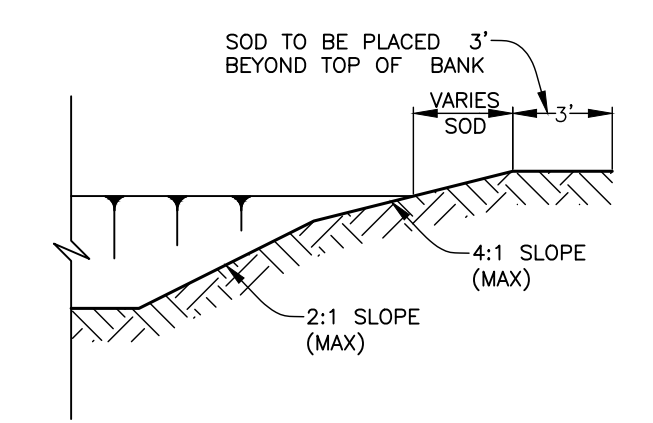
TYPICAL BALE SILT BARRIER
FIGURE 3



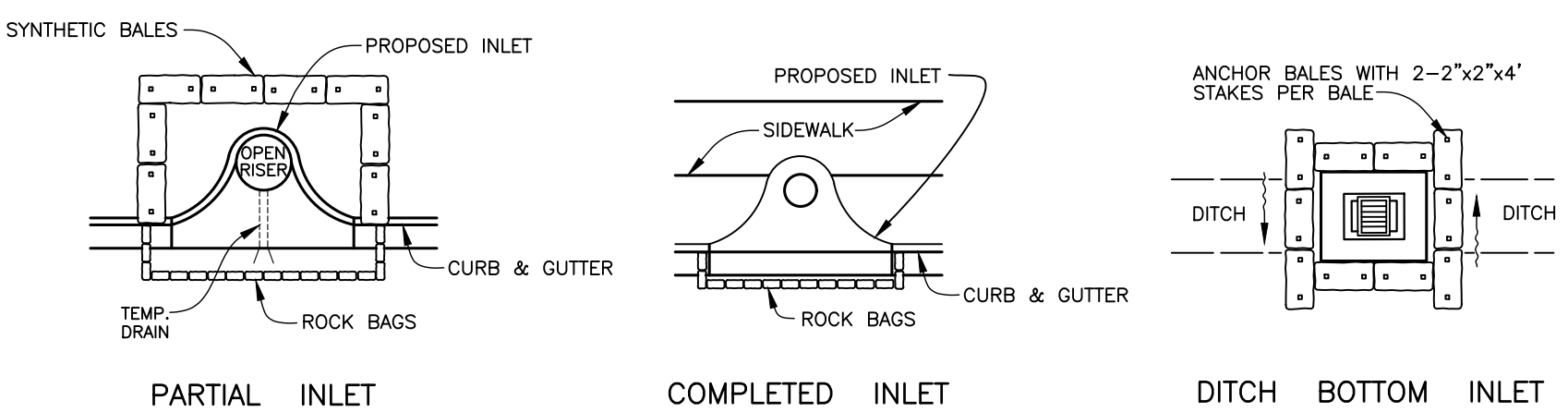
TURBIDITY BARRIERS
FIGURE 4



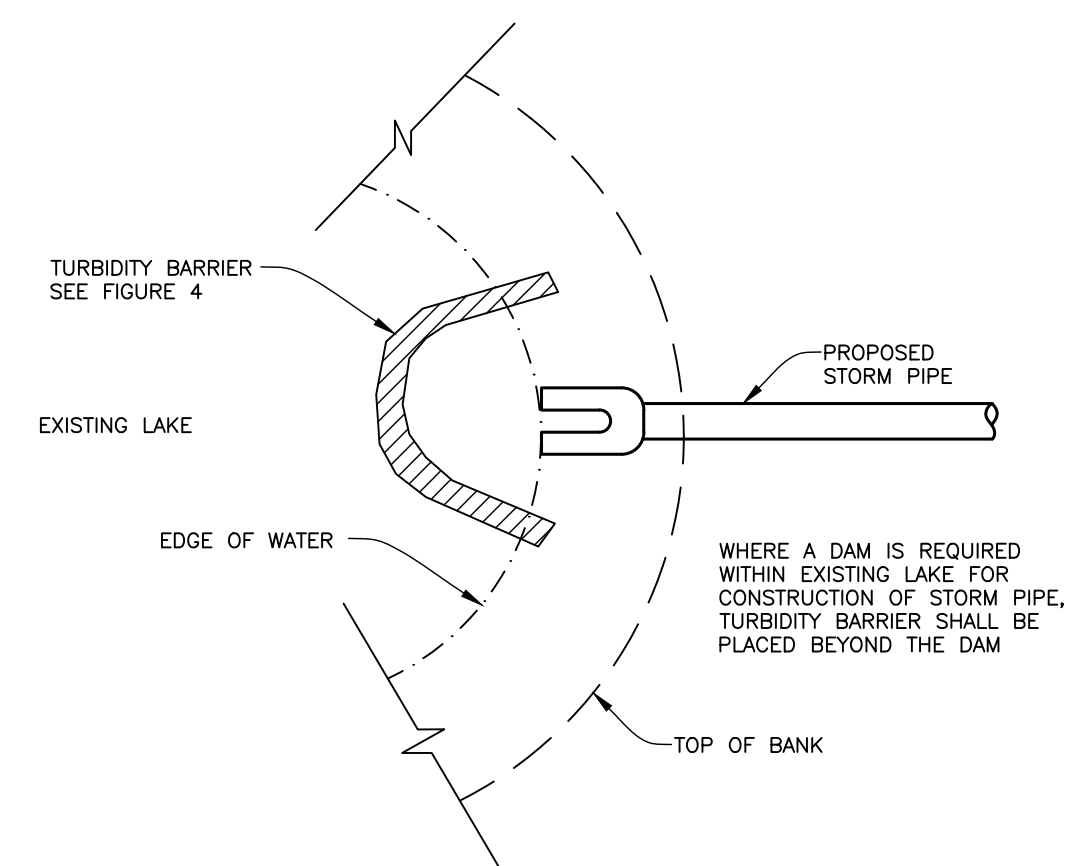
TYPICAL SWALE SECTION
FIGURE 5



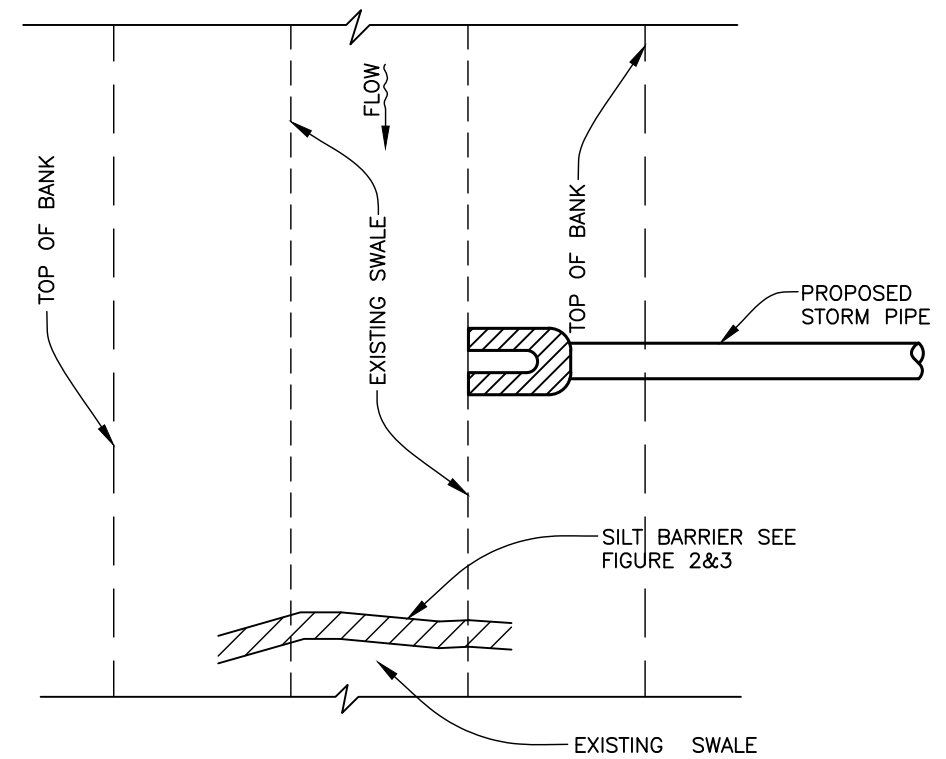
TYPICAL RETENTION/DETENTION POND SECTION
FIGURE 6



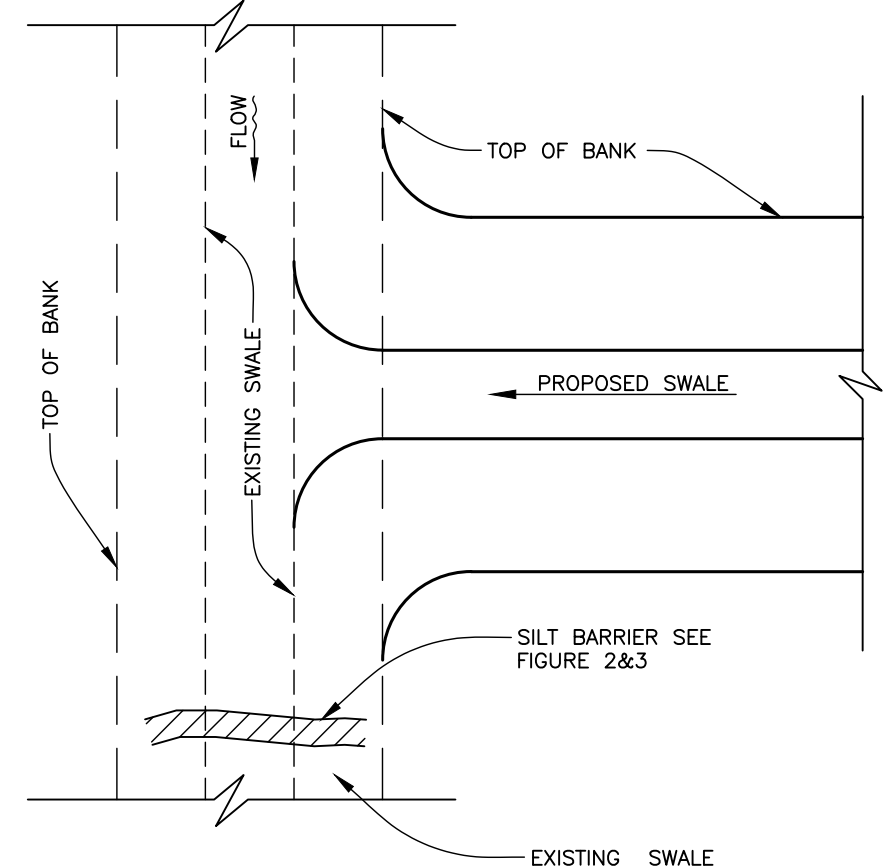
SYNTHETIC BALE PROTECTION AROUND INLETS OR SIMILAR STRUCTURES
FIGURE 7



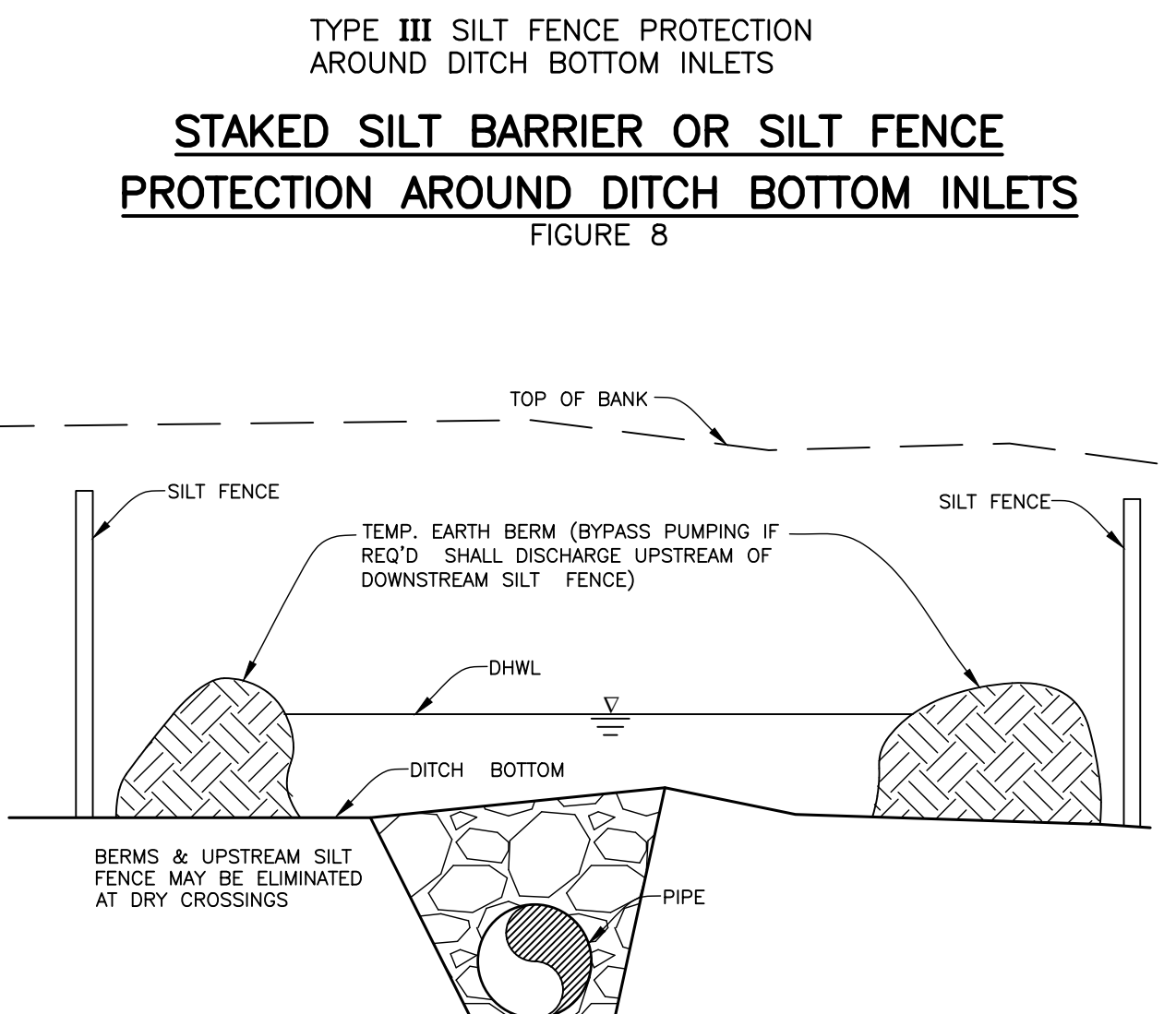
TURBIDITY BARRIER AT CONNECTION OF STORM PIPE TO EXISTING LAKE
FIGURE 9



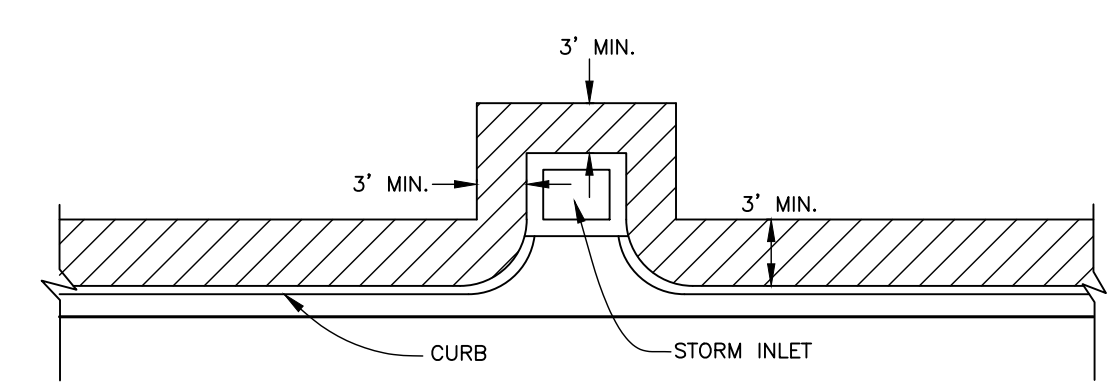
SILT BARRIER AT CONNECTION OF STORM PIPE TO EXISTING SWALE
FIGURE 10



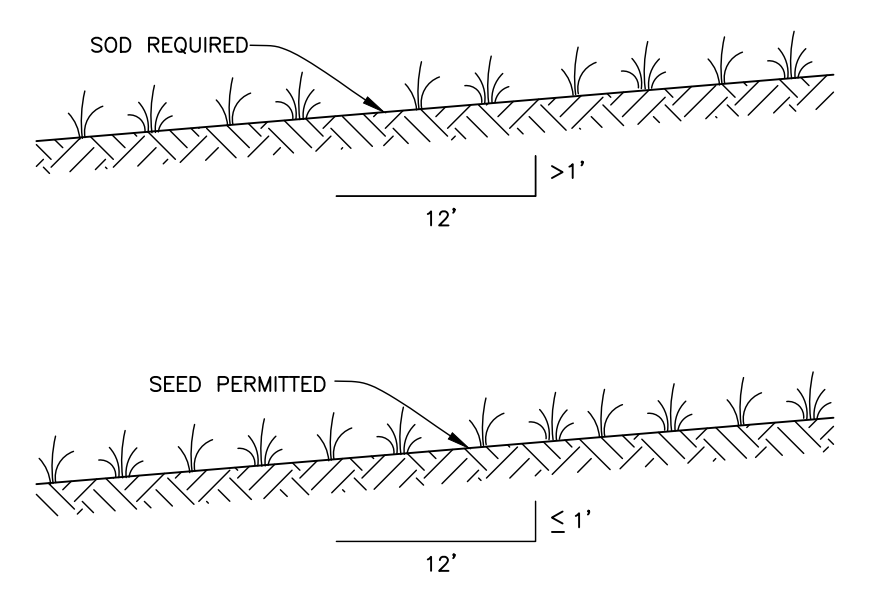
SILT BARRIER AT CONNECTION OF SWALE TO EXISTING SWALE
FIGURE 11



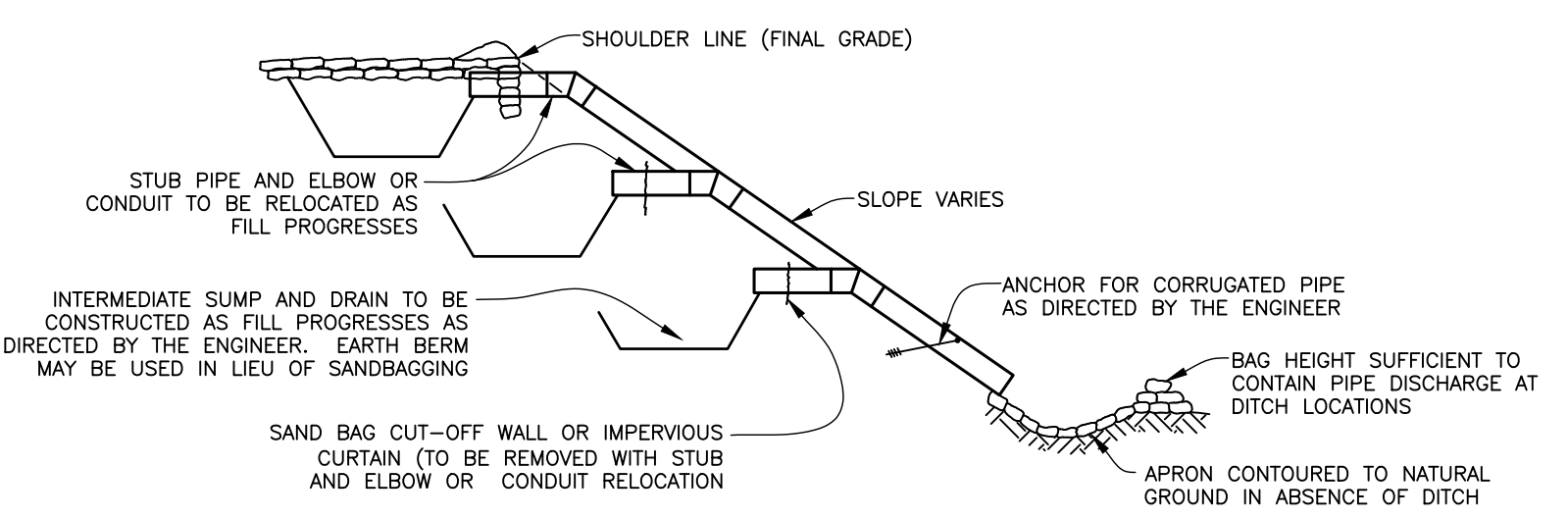
STAKED SILT BARRIER OR SILT FENCE PROTECTION AROUND DITCH BOTTOM INLETS
FIGURE 8



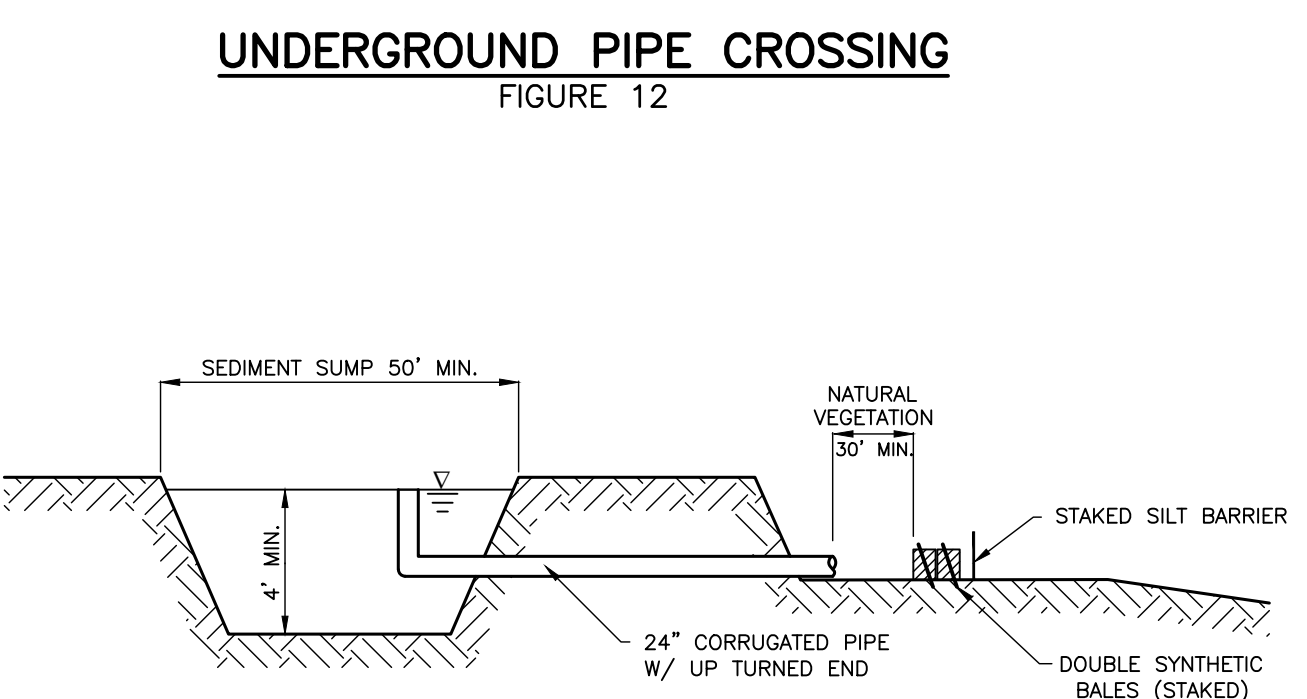
SOD ALONG CURB AND AROUND INLET
FIGURE 14



GRASS SLOPES
FIGURE 13



SECTION AA
TEMPORARY SLOPE DRAIN
FIGURE 15



SEDIMENT SUMP SECTION
FIGURE 16

NOTE:
REFERENCE THE STATE OF FLORIDA EROSION AND SEDIMENT CONTROL DESIGNER AND REVIEWER MANUAL, LATEST EDITION, FOR ALL TEMPORARY EROSION CONTROL MEASURES

NO.	REVISION DESCRIPTION	BY	DATE