

# MANATEE COUNTY

February 17, 2009

TO: All Interested Bidders

SUBJECT: Invitation for Bid #09-0670-OV  
Improvements to the TARA #20 Master Lift Station

## ADDENDUM #2

**Bidders are hereby notified that this Addendum shall be acknowledged on page 00300-1 of the Bid Form and made a part of the above named bidding and contract documents. Bids submitted without acknowledgement of the Addendum will be considered incomplete.**

The following items are issued to add to, modify, and clarify the bid and contract documents. These items shall have the same force and effect as the original bidding and contract documents, and cost involved shall be included in the bid prices. Bids to be submitted on the specified bid date, shall conform to the additions and revisions listed herein.

**Based upon instructions from the Project Engineer: Mr. Craig Osmanski, P.E., for URS Corporation:**

- Revised Pump Station Proposed Plan Drawing No. M-4 dated February 11, 2009 attached.

**THIS ADDENDUM MUST BE ACKNOWLEDGED ON THE BID FORM OF YOUR BID.**

## END OF ADDENDUM #2

Bids will be received at the Manatee County Purchasing Division, 1112 Manatee Avenue West, Suite 803, Bradenton, FL 34205 until **3:00 P.M. on February 20, 2009.**

Sincerely,

A handwritten signature in black ink, appearing to read "R. C. Cuthbert".

R. C. "Rob" Cuthbert, CPM, CPPO  
Purchasing Division Manager

(1 total page attached)

Financial Management Department – Purchasing Division  
1112 Manatee Avenue West, Suite 803, Bradenton, FL 34205  
Phone: 941-749-3014 – Fax: 941-749-3034

**TURS**  
 7650 West Country Clubway  
 Suite 700  
 Tampa, FL 33607  
 Tel: (813) 288-1711 Fax: (813) 288-4587  
 Florida Engineering Number: 00002

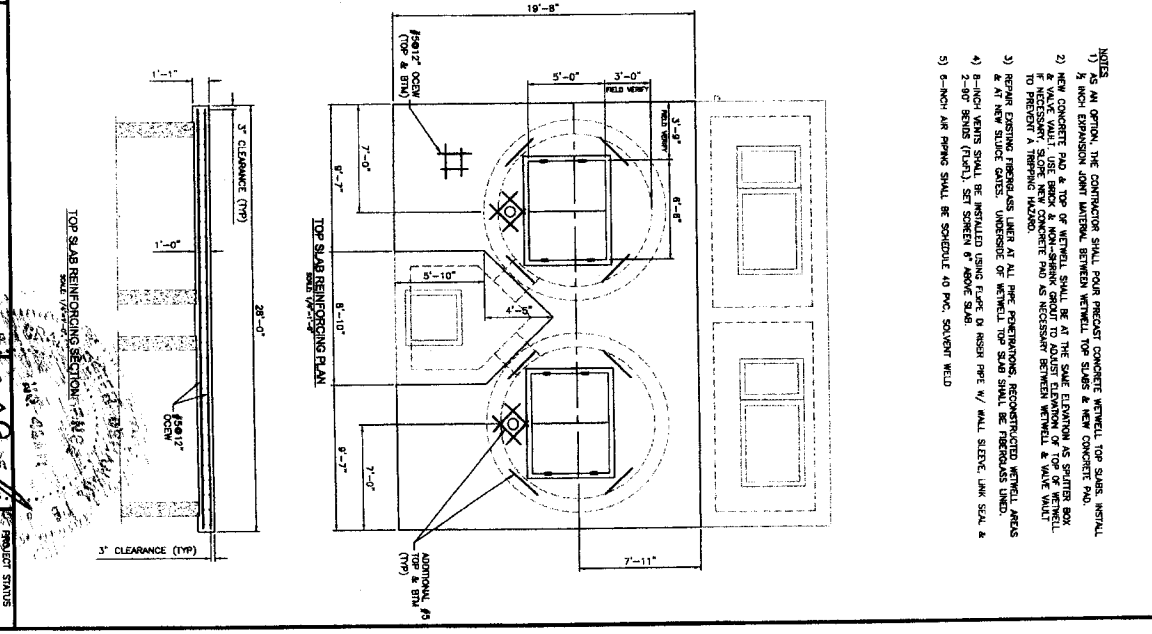
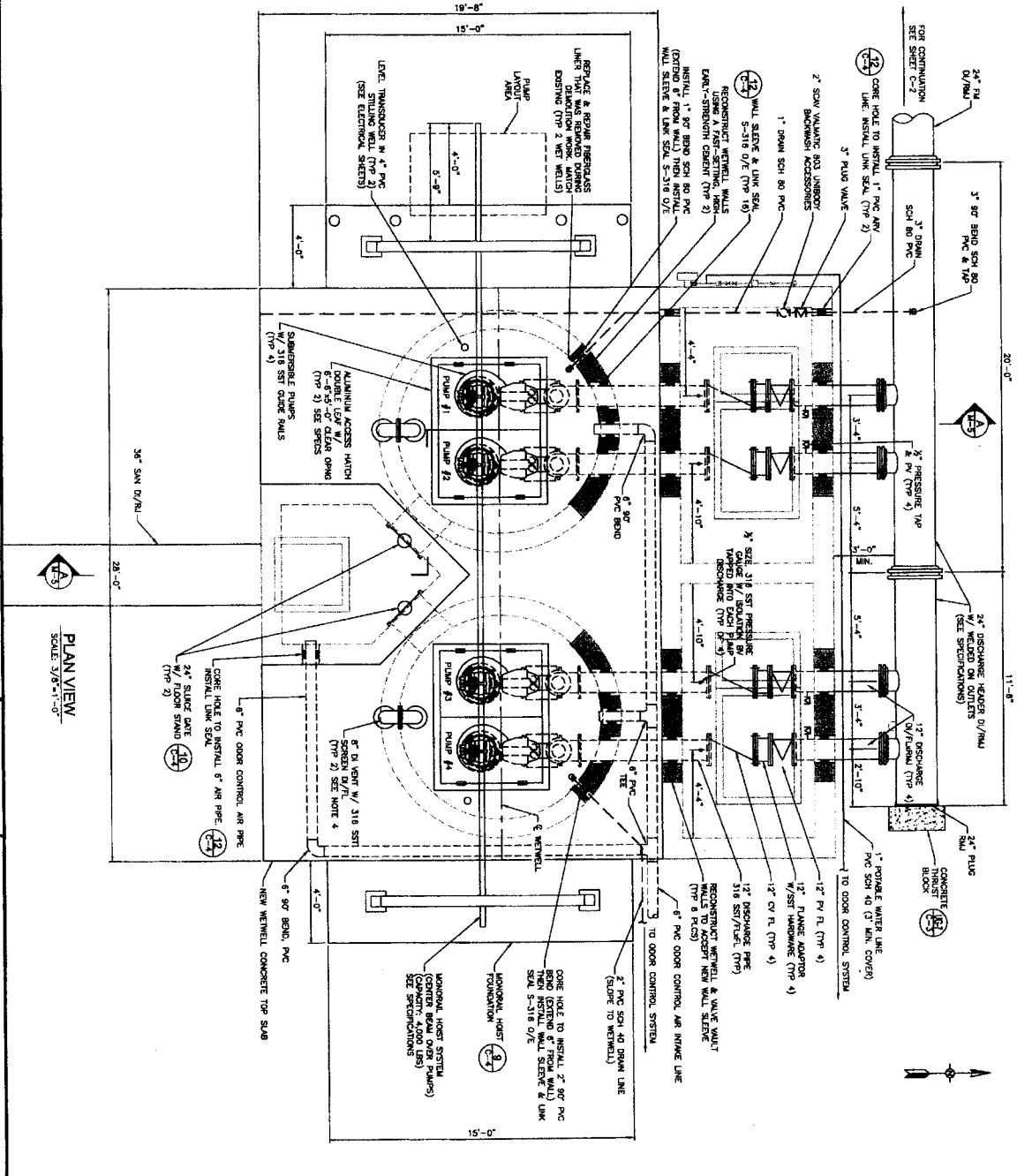
NO.	DATE	DESCRIPTION
1	02/11/09	ADDENDUM NO. 1
2	02/11/09	REVISION

URS JOB NUMBER: 12007291  
 DATE: February 11, 2009  
 DRAWN BY: J. SCHEIKRIAN  
 CHECKED BY: J. SCHEIKRIAN  
 FILE NAME DATE:



IMPROVEMENTS AT  
**TARA #20 MASTER LIFT STATION**  
 MANATEE COUNTY GOVERNMENT  
 MANATEE COUNTY, FLORIDA

**PUMP STATION PROPOSED PLAN**  
 DATE: 2-11-09  
 DRAWN BY: J. SCHEIKRIAN  
 CHECKED BY: J. SCHEIKRIAN  
 PROJECT STATUS: CONSTRUCTION SET  
 SHEET NO. M-4



- NOTES**
- 1) AS AN OPTION, THE CONTRACTOR SHALL POUR PRECAST CONCRETE WETWELL TOP SLABS, WETWELL
  - 2) NON EXPANSION JOINT MATERIAL BETWEEN WETWELL TOP SLABS & NEW CONCRETE PAD.
  - 3) NEW CONCRETE PAD & TOP OF WETWELL SHALL BE AT THE SAME ELEVATION AS EXISTING BOX & VALVE WELLS. USE BRICK & NON-SHANK GROUT TO ADJUST ELEVATION OF TOP OF WETWELL TO EXISTING EXTERIOR GRADE. BRICK & NON-SHANK GROUT SHALL BE PERFORMED UNDER WETWELL.
  - 4) REMOVE EXISTING REBAR AND LAYERS AT ALL PRECIPITATIONS, RECONSTRUCTED WETWELL AREAS
  - 5) NEW WELLS SHALL BE INSTALLED USING EXISTING REBAR PRE 1/2\"/>