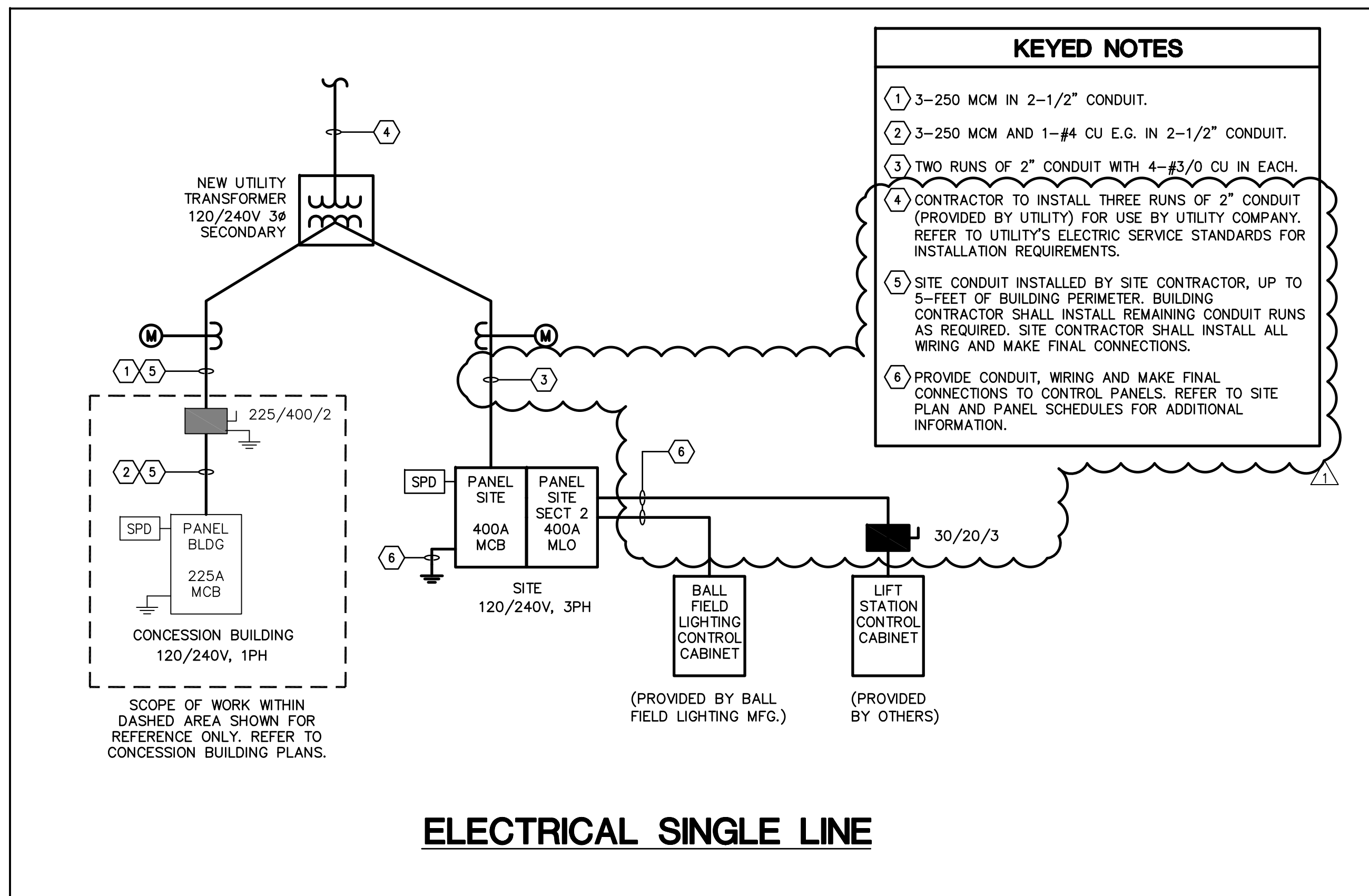


ENGINEERING MATRIX, INC.  
 CONSULTING ENGINEERS  
 2860 SCHERER DRIVE, SUITE 640  
 ST. PETERSBURG, FLORIDA 33716  
 PH: (727) 375-4066 F: (727) 573-2602  
 EMAIL: emi@engmatrix.com  
 CERT. OF AUTHORIZATION NO. 428  
 © 2012 Engineering Matrix, Inc.



**ELECTRICAL SINGLE LINE**

**GENERAL NOTES ELECTRICAL**

- DO NOT SCALE FROM THESE DRAWINGS.
- ALL WORK SHALL BE DONE IN STRICT ACCORDANCE WITH THE NATIONAL ELECTRICAL CODE.
- ELECTRICAL CONTRACTOR SHALL COORDINATE WORK WITH ALL OTHER TRADES TO ASSURE PROPER CLEARANCES FOR EQUIPMENT AND TO KEEP THE JOB PROGRESSING.
- ALL EXTERIOR WIRING DEVICES TO BE WEATHERPROOF AND SHALL BE G.F.I. TYPE.
- CONDUIT RUNS SHOWN ARE DIAGRAMMATIC IN NATURE. CONTRACTOR IS RESPONSIBLE FOR SIZING AND LOCATING PULL BOXES PER NEC AND FOR COORDINATION WITH OTHER DISCIPLINES.
- ALL H.L.D. AND FLUORESCENT LIGHT FIXTURES SHALL BE FURNISHED WITH INTEGRAL FUSING.
- COORDINATE EXACT LOCATIONS OF ALL ITEMS INSTALLED ON SITE WITH CIVIL ENGINEER.
- USE 10 AWG CU. CONDUCTORS FOR 20 AMPERE, 120 VOLT BRANCH CIRCUITS LONGER THAN 75 FEET, UNLESS OTHERWISE NOTED ON SITE PLAN. USE 10 AWG CU. CONDUCTORS FOR 20 AMPERE, 277 VOLT BRANCH CIRCUITS LONGER THAN 200 FEET, UNLESS OTHERWISE NOTED ON SITE PLAN.
- ALL SITE LIGHTING POLES AND POLE BASES SHALL BE CAPABLE OF SUPPORTING THE ENTIRE WEIGHT AND WIND LOADS OF THE ENTIRE LIGHTING SYSTEM. SHOP DRAWINGS MUST INCLUDE DRAWINGS OF THE ENTIRE ASSEMBLY FOR EACH OF THE MOUNTING CONFIGURATIONS USED. DRAWINGS MUST BE SIGNED AND SEALED BY A FLORIDA REGISTERED STRUCTURAL ENGINEER AND DESIGNED TO THE FLORIDA BUILDING CODE WIND LOAD REQUIREMENTS FOR THE PROJECT SITE.

**ELECTRICAL SYMBOL LEGEND**

SYMBOL	DESCRIPTION	MOUNTING AND NOTES
	<b>TYPICAL LIGHTING SYMBOL NOTES:</b> 1. UPPER CASE LETTER DENOTES FIXTURE TYPE, SEE FIXTURE SCHEDULE 2. LOWER CASE LETTER DENOTES SWITCHED LEG 3. SHADED FIXTURE SYMBOL INDICATES EMERGENCY FIXTURE 4. 'NL' DENOTES NIGHT LIGHT CIRCUIT	
	POLE MOUNTED LIGHT FIXTURE. REFER TO LIGHT FIXTURE SCHEDULE FOR MORE INFORMATION.	SEE FIXTURE SCHEDULE
	WALL MOUNTED LIGHT FIXTURE. REFER TO LIGHT FIXTURE SCHEDULE FOR MORE INFORMATION.	SEE FIXTURE SCHEDULE
	SURFACE MOUNTED LIGHT FIXTURE. REFER TO LIGHT FIXTURE SCHEDULE FOR MORE INFORMATION.	SEE FIXTURE SCHEDULE
	<b>TYPICAL RECEPTACLE, OUTLET AND JUNCTION BOX SUFFIX LEGEND:</b> WP = WEATHERPROOF OFI = GROUND FAULT INTERRUPTER UP = UP (CONDUIT) DN = DOWN (CONDUIT) E = EXISTING	
	DUPLEX RECEPTACLE (20A, 120V).	M.H. 16" AFF U.O.N.
	JUNCTION OR OUTLET BOX, 4" SQUARE BOX U.O.N.	AS NOTED
	PANELBOARD, 120/240V., 1 PH., 3W	6'-6" AFF. MIN. TO TOP
	NON-FUSIBLE DISCONNECT SWITCH, 30A, 3 POLE, U.O.N.	SEE SPECIFICATIONS
	FUSIBLE DISCONNECT SWITCH, AMPS/FUSE SIZE/NO. POLES AS NOTED.	SEE SPECIFICATIONS
	RACEWAY RISER, UP OR DOWN AS NOTED.	SEE SPECIFICATIONS
	RACEWAY CONCEALED UNDER FLOOR, IN SLAB OR BELOW GRADE	SEE SPECIFICATIONS
	RACEWAY CONCEALED IN WALL OR CEILING	SEE SPECIFICATIONS
	HOMERUN TO PANEL, LETTERS INDICATE PANEL, NUMBERS INDICATE CIRCUITS.	SEE SPECIFICATIONS

**NOTE:**  
 NOT ALL SYMBOLS SHOWN IN THIS LEGEND MAY NECESSARILY APPEAR IN THESE DOCUMENTS. ADDITIONAL SYMBOLS MAY BE DEFINED ELSEWHERE IN SPECIFIC DRAWINGS.

REMARKS	POLES AND AMPERS	LOAD SERVING								REMARKS											
		VOLT AMPS				WIRE SIZE	O.K.T. NO.	O.K.T. SIZE	VOLT AMPS												
		A	B	C	A				B		C										
3 PHASE INFO																					
SPDB LIGHTING CONTROL PNL	11	20/1				12	11	2	6												SPD
H.P. SPACE	3						3	4	6												
HT/KW FLAG POLE LIGHTS	5	20/1			75	10	5	6	6												
SPDB PITCHING MACH RECEP	7	20/1		1000		4	7	8	6	2078											
H.P. PITCHING MACH RECEP	9					9	10	6													
HT/KW PITCHING MACH RECEP	11	20/1			1000	4	11	12	6												
SPDB PITCHING MACH RECEP	13	20/1		1000		4	13	14	6	2078											
H.P. PITCHING MACH RECEP	15					15	16	6													
HT/KW PITCHING MACH RECEP	17	20/1			1000	4	17	18	6												
SPDB PITCHING MACH RECEP	19	20/1		1000		8	19	20	4	2078											
H.P. PITCHING MACH RECEP	21					21	22	4													
HT/KW PITCHING MACH RECEP	23	20/1			1000	8	23	24	4												
SPDB PITCHING MACH RECEP	25	20/1		1000		8	25	26	2	2078											
H.P. LIFT STATION	27	20/3			2200	8	27	28	2												
HT/KW LIFT STATION	29				2200	8	29	30	2												
SPDB IRRIGATION CONTROL	33	20/1		2200		12	33	34	4	2078											
H.P. IRRIGATION CONTROL	35	20/1			180	12	35	36	4												
HT/KW IRRIGATION CONTROL	37	20/1				37	38														
SPDB SPARE	39	20/1				39	40														
H.P. SPARE	41	20/1				41	42														
HT/KW SPARE																					
<b>TOTAL</b>			0	6380	0	2380	75	5200			10390	0	10390	0	10390	0					

REMARKS	POLES AND AMPERS	LOAD SERVING								REMARKS											
		VOLT AMPS				WIRE SIZE	O.K.T. NO.	O.K.T. SIZE	VOLT AMPS												
		A	B	C	A				B		C										
3 PHASE INFO																					
SPDB FIELD LIGHTS	43	30/3		2078		6	11	2	6												
H.P. FIELD LIGHTS	45				2078	6	3	4	10												
HT/KW FIELD LIGHTS	47					6	5	6	10												
SPDB FIELD LIGHTS	49	30/3		3325		6	7	8	10	640											
H.P. FIELD LIGHTS	51				3325	6	9	10	10												
HT/KW FIELD LIGHTS	53				3325	6	11	12	10												
SPDB FIELD LIGHTS	55	30/3		3325		6	13	14	10												
H.P. FIELD LIGHTS	57				3325	6	15	16													
HT/KW FIELD LIGHTS	59				3325	6	17	18													
SPDB FIELD LIGHTS	61	30/3		3325		3	19	20	3	3325											
H.P. FIELD LIGHTS	63				3325	3	21	22	3												
HT/KW FIELD LIGHTS	65				3325	3	23	24	3												
SPDB FIELD LIGHTS	67	30/3		3325		4	25	26	2	3325											
H.P. FIELD LIGHTS	69				3325	4	27	28	2												
HT/KW FIELD LIGHTS	71				3325	4	29	30	2												
SPDB SPACE	73				3325	31	32	8													
H.P. SPACE	75					33	34	8													
HT/KW SPACE	77					35	36	8													
SPDB SPACE	79					37	38	12													
H.P. SPACE	81					39	40	12													
HT/KW SPACE	83					41	42	12													
<b>TOTAL</b>			15378	0	15378	0	15378	0			7290	1000	7930	0	7290	0					

2/28/2013 5:29:39 PM M:\\_2012\12-0800 WM Blackstone Park Site Lighting\12-0800\_EO-01.dwg

DRAWING PHASE:  
**CONSTRUCTION DOCUMENTS**

ISSUE DATE: **02/22/13** EMI JOB NO. **12-0800**

DRAWING REVISIONS:

DATE	ISSUANCE
02/28/13	OWNER COMMENTS

Blackstone Park Expansion  
 Manatee County  
 ADDRESS

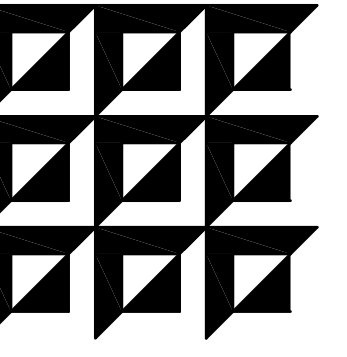
KEY PLAN:

SEAL:

DRAWING TITLE:  
**ELECTRICAL NOTES AND LEGENDS**

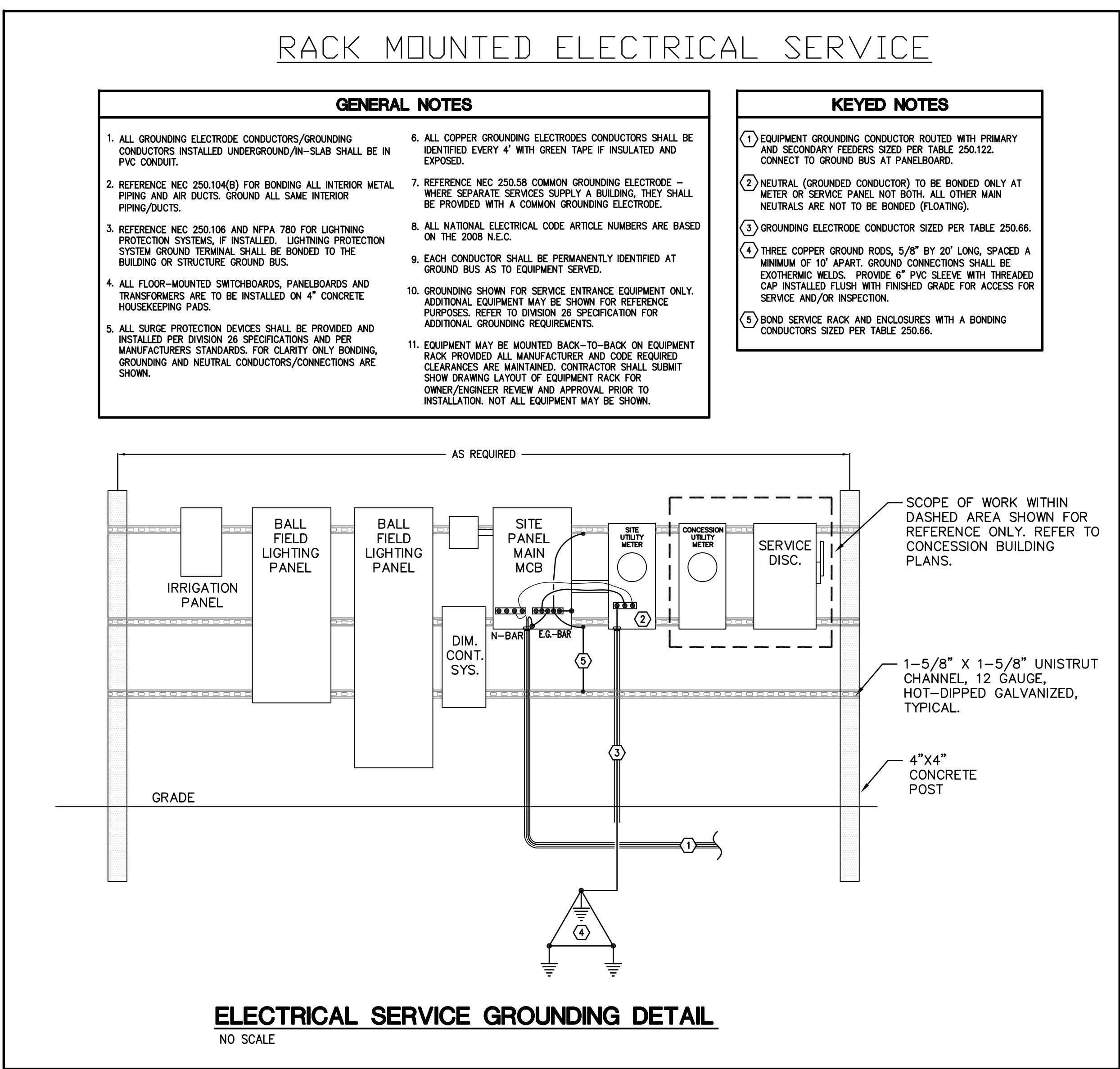
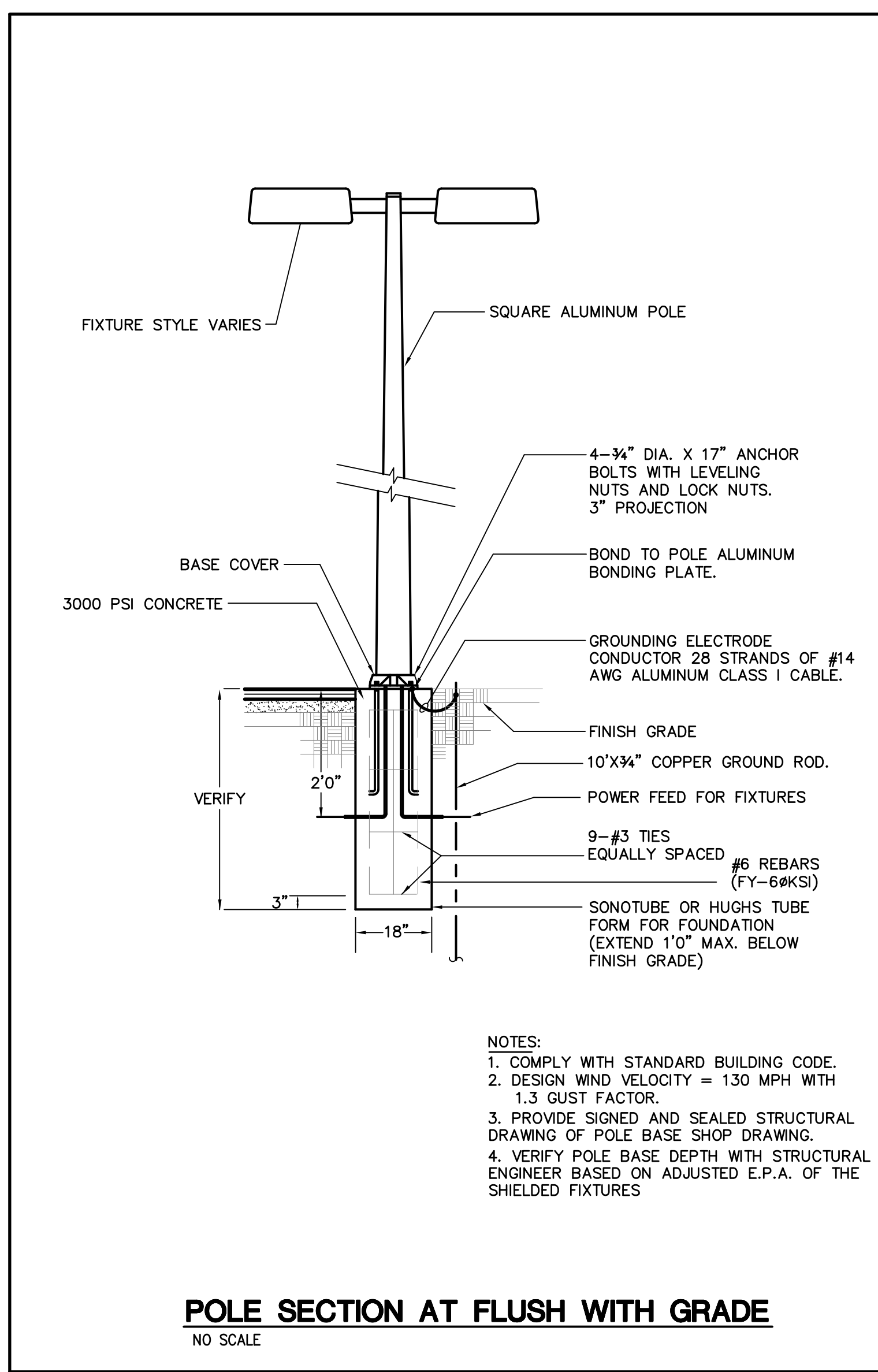
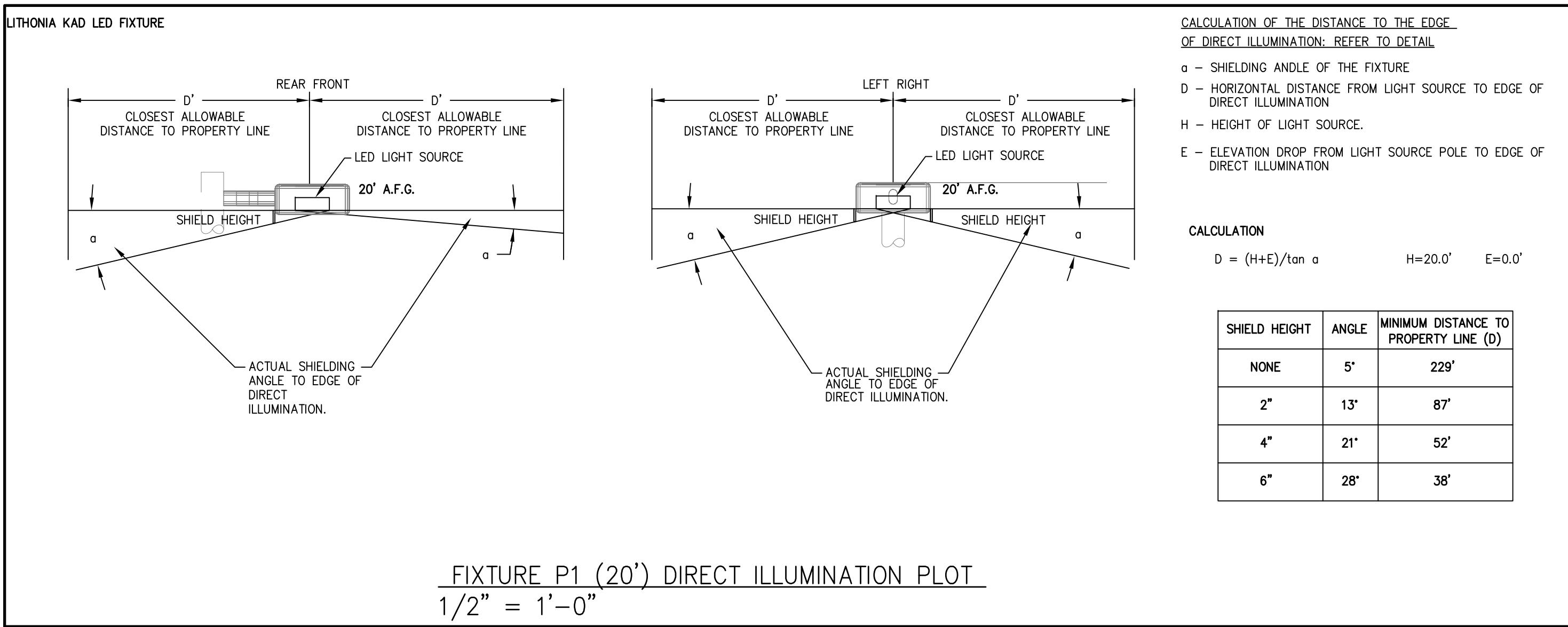
SCALE: AS NOTED NORTH:  
 DRAWING NUMBER:

**ELECTRICAL NOTES & LEGENDS**  
 NTS **E0.0**



ENGINEERING MATRIX, INC.  
 CONSULTING ENGINEERS  
 2860 SCHERER DRIVE, SUITE 640  
 ST. PETERSBURG, FLORIDA 33716  
 PH: (727) 373-4066 F: (727) 573-2602  
 EMAIL: emi@engmatrix.com  
 CERT. OF AUTHORIZATION NO. 4288  
 © 2012 Engineering Matrix, Inc.

LIGHT FIXTURE SCHEDULE						
TYPE	MANUFACTURER	CATALOG NUMBER	LAMPS		MOUNTING	REMARKS
			QTY	TYPE		
POLE	HAPCO OR EQUAL	SSA20F4-4-BM				20' SQUARE STRAIGHT ALUMINUM POLE WITH .25" WALL THICKNESS AND BLACK POWDER COAT FINISH. PROVIDE POLES FOR PARKING LOT LIGHTS AS REQUIRED. PROVIDE ALL COMPONENTS FOR MOUNTING FIXTURES. REFER TO POLE BASE DETAIL FOR MORE INFORMATION.
P1	LITHONIA	KAD-LED-1-6.38350-40K-SR3-MVOLT-SPD-SF-DMG-DBLXD	63	LED 4000K 6661 LM 74 W	240V	DIE-CAST CONTOURED ALUMINUM LED FIXTURE WITH TYPE 3 DISTRIBUTION, 0-10V DIMMING DRIVER, AND BLACK FINISH. PROVIDE 4" SQUARE POLE MOUNTING ARM AND FUSING. PROVIDE 2" FRONT SHIELD AND 4" BACK AND SIDE SHIELDS.
P2	LITHONIA	KAD-LED-1-6.38350-40K-SR3-MVOLT-SPD-SF-DMG-DBLXD	63	LED 4000K 6661 LM 74 W	240V	DIE-CAST CONTOURED ALUMINUM LED FIXTURE WITH TYPE 3 DISTRIBUTION, 0-10V DIMMING DRIVER, AND BLACK FINISH. PROVIDE 4" SQUARE POLE MOUNTING ARM AND FUSING. PROVIDE 2" FRONT, BACK, AND SIDE SHIELDS.
F1	LITHONIA OR EQUAL	DSKFLED-2-A530/40K-MSP-120-THK-SF-DBLXD	2	LED 5300MA 4000K	120	LED MEDIUM SPOT LIGHT WITH DUAL ENGINE LED DRIVER AND 4000K LIGHT OUTPUT. BLACK POWDER COAT FINISH. PROVIDE FUSING AND KNUCKLE STAKE MOUNT.
F2	LITHONIA OR EQUAL	DSKFLED-2-A530/40K-WFL-240-THK-SF-DBLXD	2	LED 5300MA 4000K	240	LED WIDE FLOOD LIGHT WITH DUAL ENGINE LED DRIVER AND 4000K LIGHT OUTPUT. BLACK POWDER COAT FINISH. PROVIDE FUSING AND KNUCKLE STAKE MOUNT.
B1	MUSCO (PROVIDED AS PART OF BALL FIELD SPORTS LIGHTING PACKAGE)	LED-24	-	LED 4000K 3950 LM 88 W	240V	DIE-CAST ALUMINUM LED FIXTURE. FIXTURE TO BE PROVIDED BY SPORTS LIGHTING MANUFACTURER AS PART OF THEIR BALL FIELD LIGHTING PACKAGE.



2/22/2013 11:03:25 AM M:\\_2012\12-0800 WM Blackstone Park Site Lighting\12-0800\_E0.0.0.1.dwg

DRAWING PHASE:  
**CONSTRUCTION DOCUMENTS**

ISSUE DATE: 02/22/13 EMI JOB NO. 12-0800

DRAWING REVISIONS:

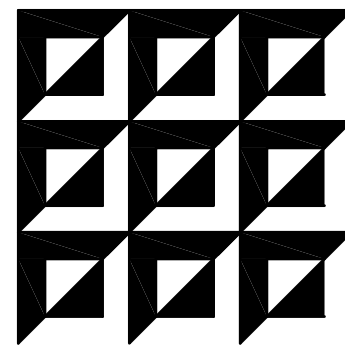
DATE	ISSUANCE

**Blackstone Park Expansion**  
**Manatee County**  
ADDRESS

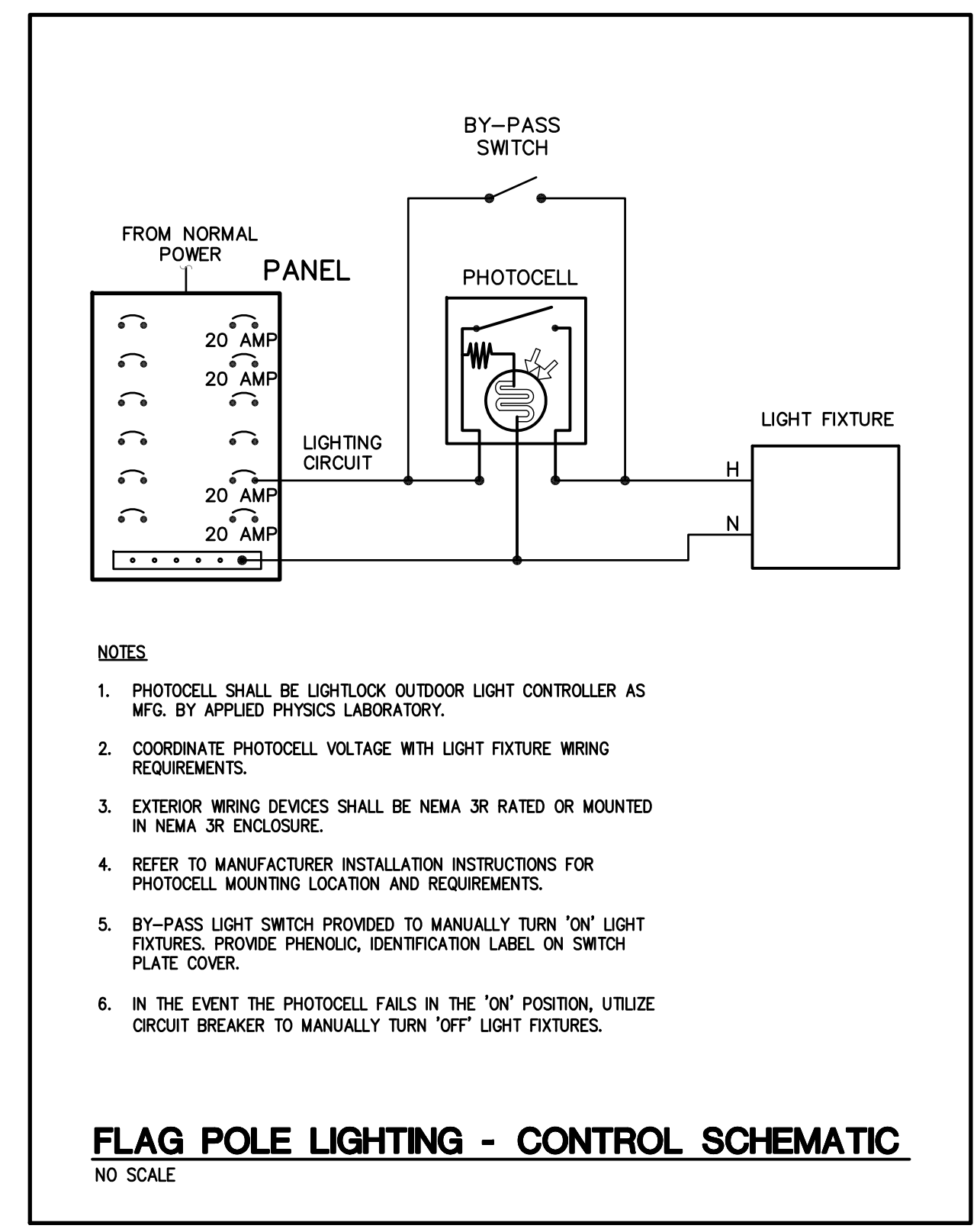
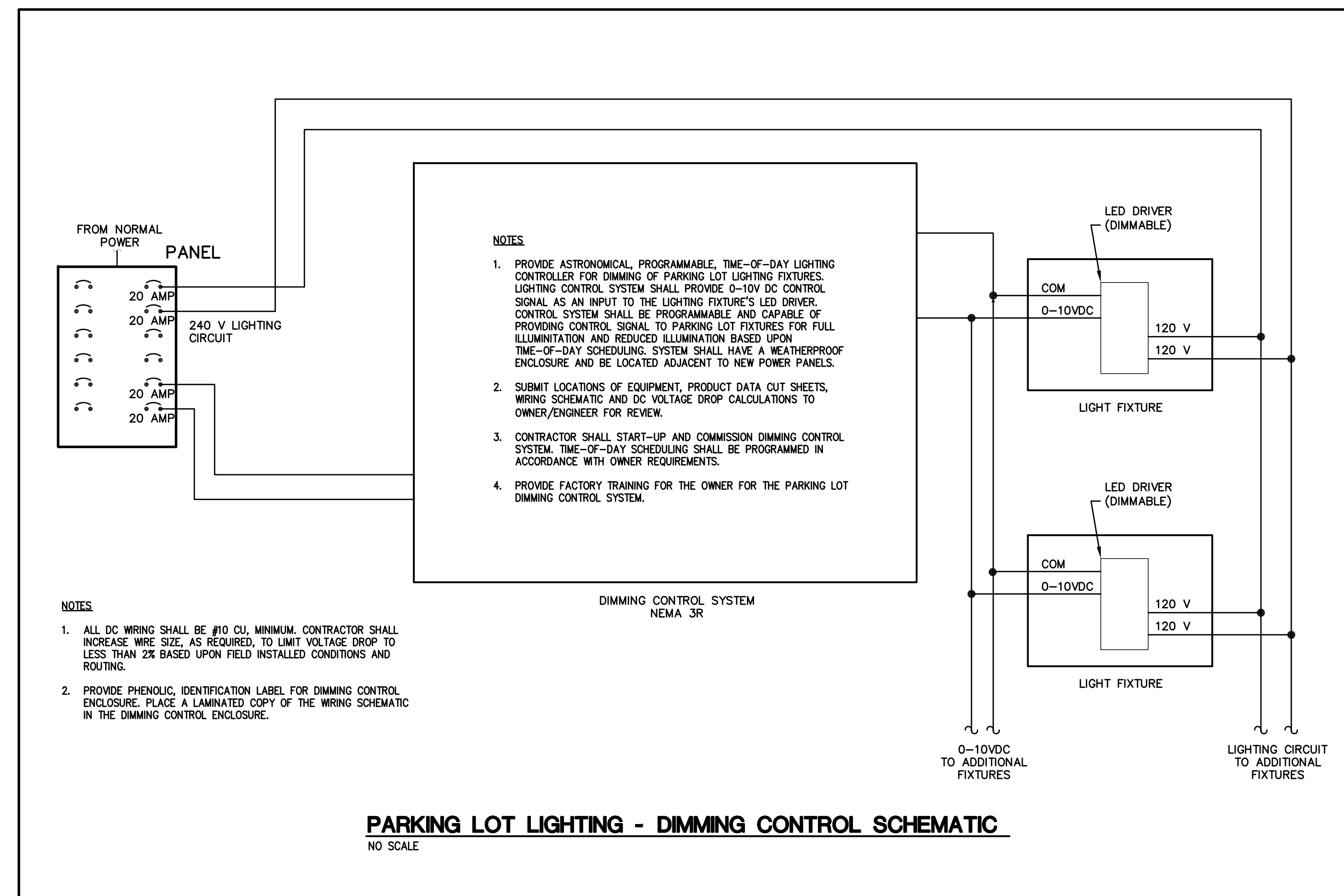
KEY PLAN:  
 SEAL:

DRAWING TITLE:  
**ELECTRICAL NOTES AND LEGENDS**

SCALE: AS NOTED NORTH:  
 DRAWING NUMBER:  
**E0.1**



ENGINEERING MATRIX, INC.  
 CONSULTING ENGINEERS  
 2860 SCHERER DRIVE, SUITE 640  
 ST. PETERSBURG, FLORIDA 33716  
 PH: (727) 375-4006 F: (727) 375-2602  
 EMAIL: emi@engmatrix.com  
 CERT. OF AUTHORIZATION NO. 4288  
 © 2012 Engineering Matrix, Inc.



DRAWING PHASE:  
CONSTRUCTION DOCUMENTS

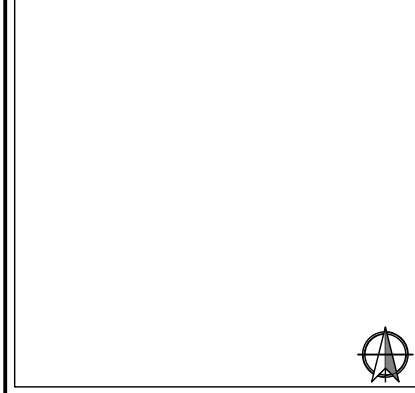
ISSUE DATE: 02/22/13 EMI JOB NO. 12-0800

DRAWING REVISIONS:

DATE	ISSUANCE

**Blackstone Park Expansion**  
**Manatee County**  
ADDRESS

KEY PLAN:



SEAL:



DRAWING TITLE:

**ELECTRICAL NOTES AND LEGENDS**

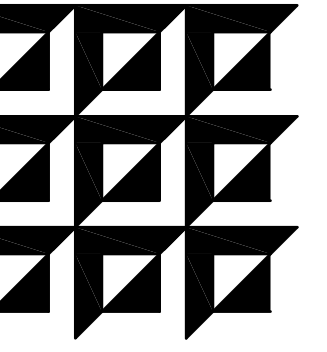
SCALE: AS NOTED NORTH:

DRAWING NUMBER:

**ELECTRICAL NOTES & LEGENDS**  
NTS

**E0.2**





ENGINEERING MATRIX, INC.  
 CONSULTING ENGINEERS  
 2860 SCHERER DRIVE, SUITE 640  
 ST. PETERSBURG, FLORIDA 33716  
 PH: (727) 375-4006 F: (727) 375-3602  
 EMAIL: emi@engmatrix.com  
 CERT. OF AUTHORIZATION NO. 4288  
 © 2012 Engineering Matrix, Inc.

DRAWING PHASE:  
**CONSTRUCTION DOCUMENTS**

ISSUE DATE: 02/22/13 EMI JOB NO. 12-0800

DRAWING REVISIONS:

DATE	ISSUANCE
02/28/13	OWNER COMMENTS

**Blackstone Park Expansion**  
**Manatee County**  
 ADDRESS

KEY PLAN:

SEAL:

DRAWING TITLE:

**ELECTRICAL  
 SITE PLAN**

SCALE: AS NOTED NORTH:

DRAWING NUMBER:

**E1.1**

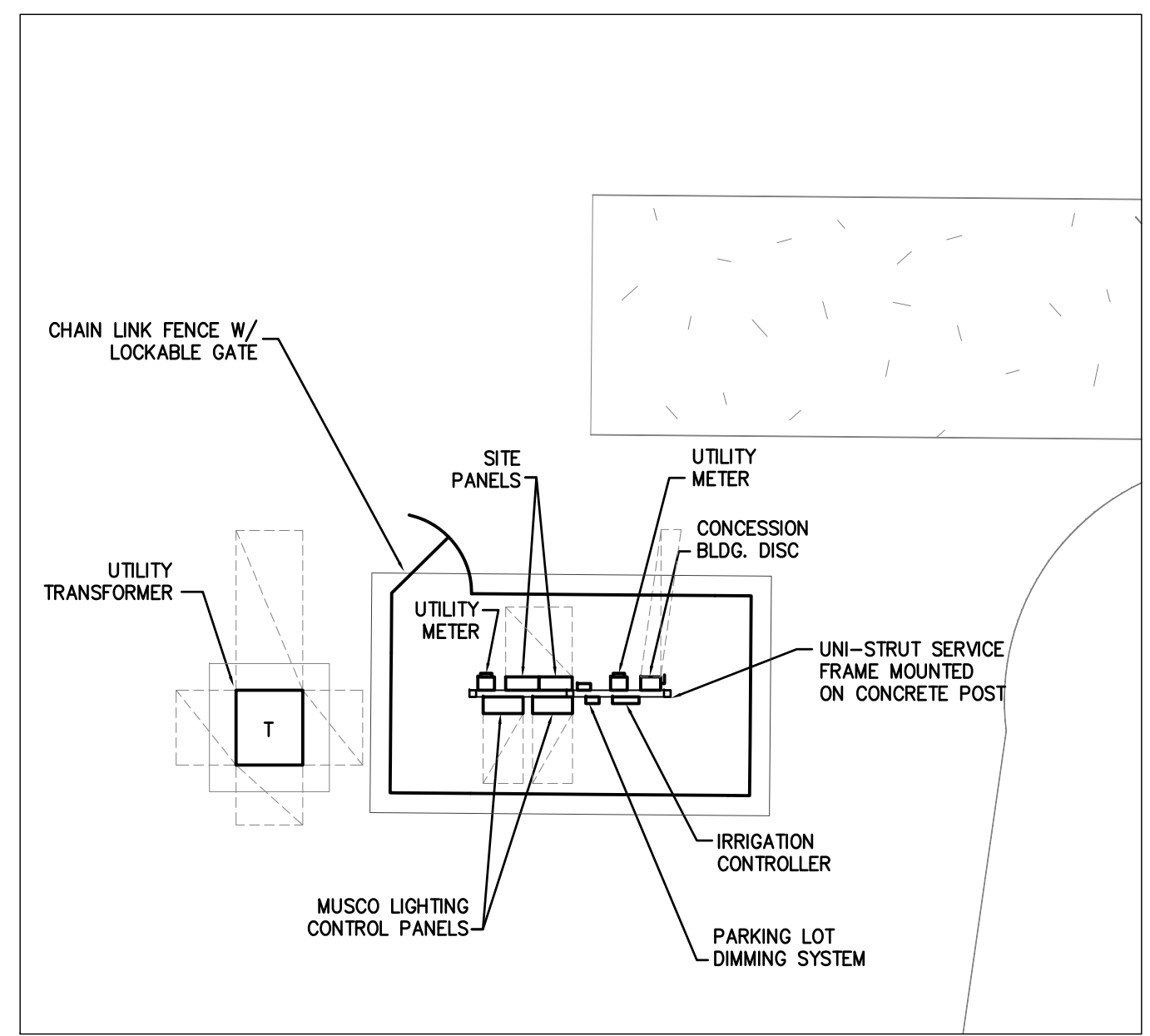
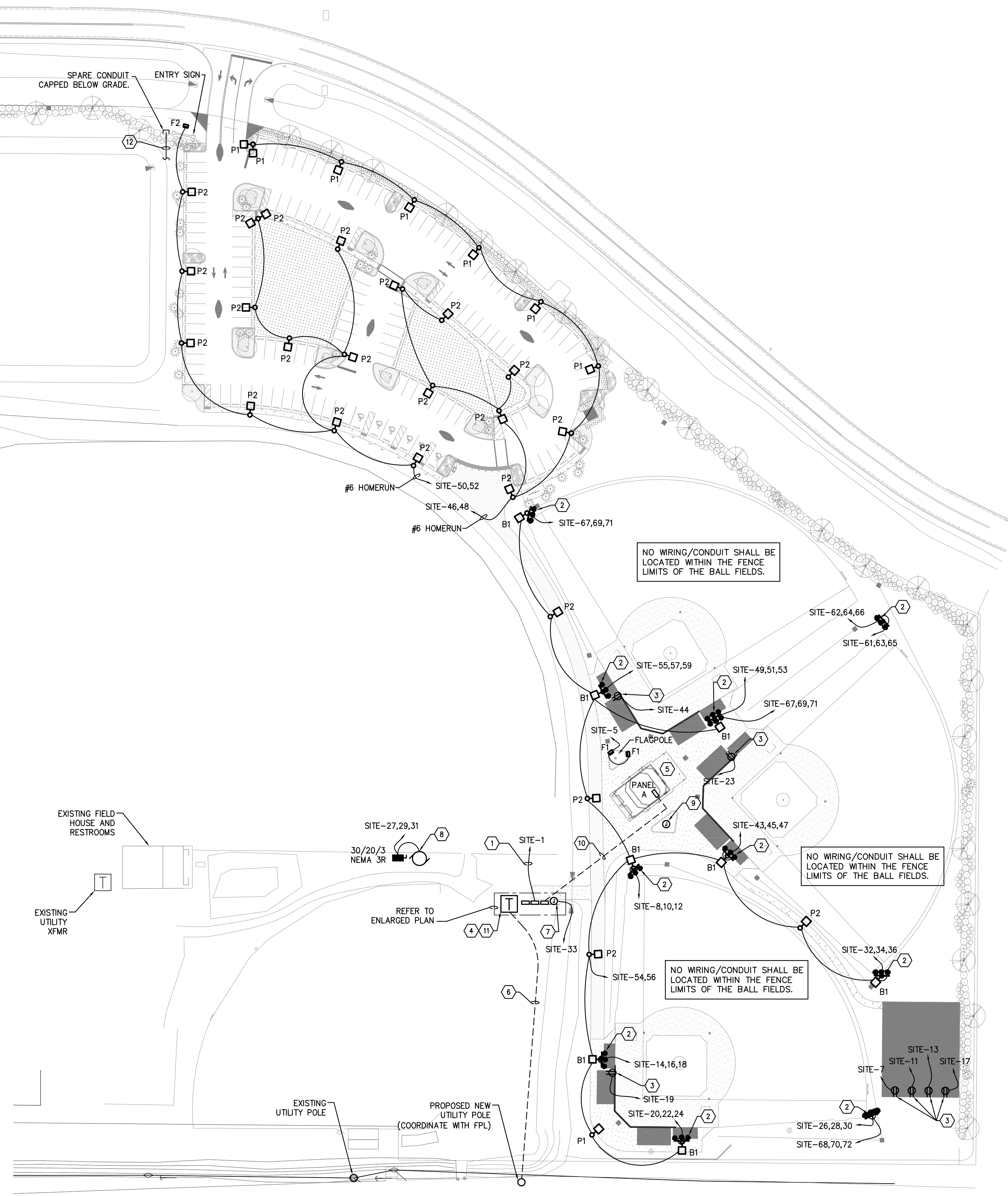
**GENERAL NOTES**

- PROVIDE CONTROL WIRING FOR 0-10 VOLT DIMMING FOR EACH PARKING LOT LIGHT FIXTURE IN ADDITION TO POWER CONDUCTORS. REFER TO DETAIL FOR ADDITIONAL INFORMATION.
- ALL DAMAGE WHICH OCCURS AS A RESULT OF DIGGING SHALL BE REPAIRED AT THE EXPENSE OF THE CONTRACTOR.
- ALL MATERIAL TAKE-OFFS SHALL BE FIELD MEASURED PRIOR TO SUBMITTING BIDS. DRAWINGS SHALL NOT BE SCALED.
- CONTRACTOR SHALL BE RESPONSIBLE FOR COORDINATION OF UNDERGROUND ELECTRICAL CONDUIT WITH OTHER NEW AND/OR EXISTING UNDERGROUND UTILITIES. CONTRACTOR SHALL ALSO BE RESPONSIBLE FOR ANY ADDITIONAL CONDUIT, WIRING, LABOR, ETC. NECESSARY FOR COMPLETE UNDERGROUND ELECTRICAL SYSTEM INSTALLATION.
- CONTRACTOR SHALL VIEW EXISTING CONDITIONS TO GAIN FAMILIARITY WITH PROJECT PRIOR TO SUBMITTING BID PROPOSAL.
- CONTRACTOR SHALL ROUTE THE LIGHTING CIRCUITS FOR THE BALL FIELDS, PARKING LOT AND PATHWAYS THROUGH THE BALL FIELD LIGHTING CONTROL PANEL FOR TIME-OF-DAY CONTROL. REFER TO BALL FIELD LIGHTING PACKAGE FOR ADDITIONAL INFORMATION.
- IT IS THE CONTRACTORS RESPONSIBILITY TO COORDINATE AND PROVIDE ANY AND ALL PULL BOXES REQUIRED BY THE N.E.C. CONDUIT SIZES MAY BE INCREASED AS REQUIRED BY THE CONTRACTOR FOR LONG PULLS. IT IS THE CONTRACTOR'S RESPONSIBILITY TO INCLUDE THE COST OF ANY INCREASE IN CONDUIT SIZE IN THE BASE BID.

**KEYED NOTES**

- 120V POWER TO BALL FIELD LIGHTING CONTROL PANEL.
- BALL FIELD LIGHTING DESIGN BY MUSCO. PROVIDE POWER TO LIGHT FIXTURES PER MUSCO.  
 FIXTURE 'B1' AND MOUNTING ACCESSORIES SHALL BE PROVIDED BY BALL FIELD LIGHTING MANUFACTURER FOR ILLUMINATION OF PATHWAYS. FIXTURE SHALL BE CONTROLLED BY THE BALL FIELD LIGHTING CONTROL PANEL.
- PROVIDE GFI DUPLEX RECEPTACLE WITH LOCKABLE, IN-USE WEATHERPROOF COVER MOUNTED TO CONCRETE PEDESTAL FOR PITCHING MACHINE POWER. LOCATE OUTSIDE OF DUGOUT AND FIELD OF PLAY. FIELD COORDINATE EXACT LOCATION WITH OWNER PRIOR TO ROUGH-IN.
- FENCED ENCLOSURE FOR ELECTRICAL GEAR. COORDINATE EXACT LOCATION OF NEW PAD-MOUNTED UTILITY TRANSFORMER AND METERS WITH FPL. PROVIDE UNISTRUT FRAME FOR NEW NEMA 3R LIGHTING PANEL AND ASSOCIATED ELECTRICAL GEAR. REFER TO RISER.
- CONCESSION BUILDING ELECTRICAL WORK IS NOT IN THE SITE ELECTRICAL PROJECT SCOPE. CONCESSION BUILDING WILL BE METERED SEPARATELY FROM ALL OTHER SITE POWER. COORDINATE WITH FPL FOR METERING REQUIREMENTS.
- (3) 2" UNDERGROUND CONDUITS FOR PRIMARY LOOP CONDUCTORS, ROUTED FROM NEW UTILITY TRANSFORMER TO BASE OF NEW UTILITY POLE. CONDUITS TO BE FURNISHED BY THE UTILITY COMPANY AND INSTALLED BY SITE CONTRACTOR.
- JUNCTION BOX FOR IRRIGATION CONTROLLER.
- PROVIDE NEMA 3R FUSED DISCONNECT FOR LIFT STATION. COORDINATE REQUIREMENTS WITH OWNER'S SITE UTILITY DRAWINGS.
- FUTURE LANDSCAPE LIGHTING. PROVIDE WEATHERPROOF JUNCTION BOX AT 6" AFG AND A 3/4" CONDUIT WITH PULLSTRING BACK TO SITE ELECTRICAL PANEL.
- CONCESSION BUILDING MAIN POWER FEED. SITE CONTRACTOR TO FURNISH AND INSTALL CONDUIT FROM UTILITY TRANSFORMER TO 5- FEET OUTSIDE OF BUILDING, INCLUDING ALL ASSOCIATED WIRING AND TERMINATIONS UP TO PANEL A. BUILDING CONTRACTOR SHALL FURNISH AND INSTALL REMAINING CONDUIT CONDUIT RUN TO PANEL A.
- CONTRACTOR SHALL SUBMIT SHOP DRAWING LAYOUT OF EQUIPMENT RACK FOR OWNER/ENGINEER REVIEW AND APPROVAL PRIOR TO COMMENCING WORK.
- (1) 1" SPARE CONDUIT WITH PULL STRING FOR FUTURE MONUMENTAL SIGN DATA CONNECTION. TERMINATE CONDUIT ADJACENT TO THE TELEPHONE TERMINAL BOARD IN CONCESSION BLDG, STORAGE ROOM 102, 18" ABOVE SLAB.

**ELECTRICAL SITE PLAN**  
 SCALE: 1" = 50'-0"



**ENLARGED PLAN**  
 SCALE: 1/16" = 1'-0"

2/28/2013 5:29:37 PM M:\\_2012\12-0800 WM Blackstone Park Site Lighting\12-0800\_E1.1.dwg

