

MANATEE COUNTY, FLA.

SANITARY SEWERAGE PROJECT

PART A

SECTION III-SEWAGE LIFT STATIONS

RUSSELL & AXON

CONSULTING ENGINEERS, INCORPORATED

DAYTONA BEACH, FLA.

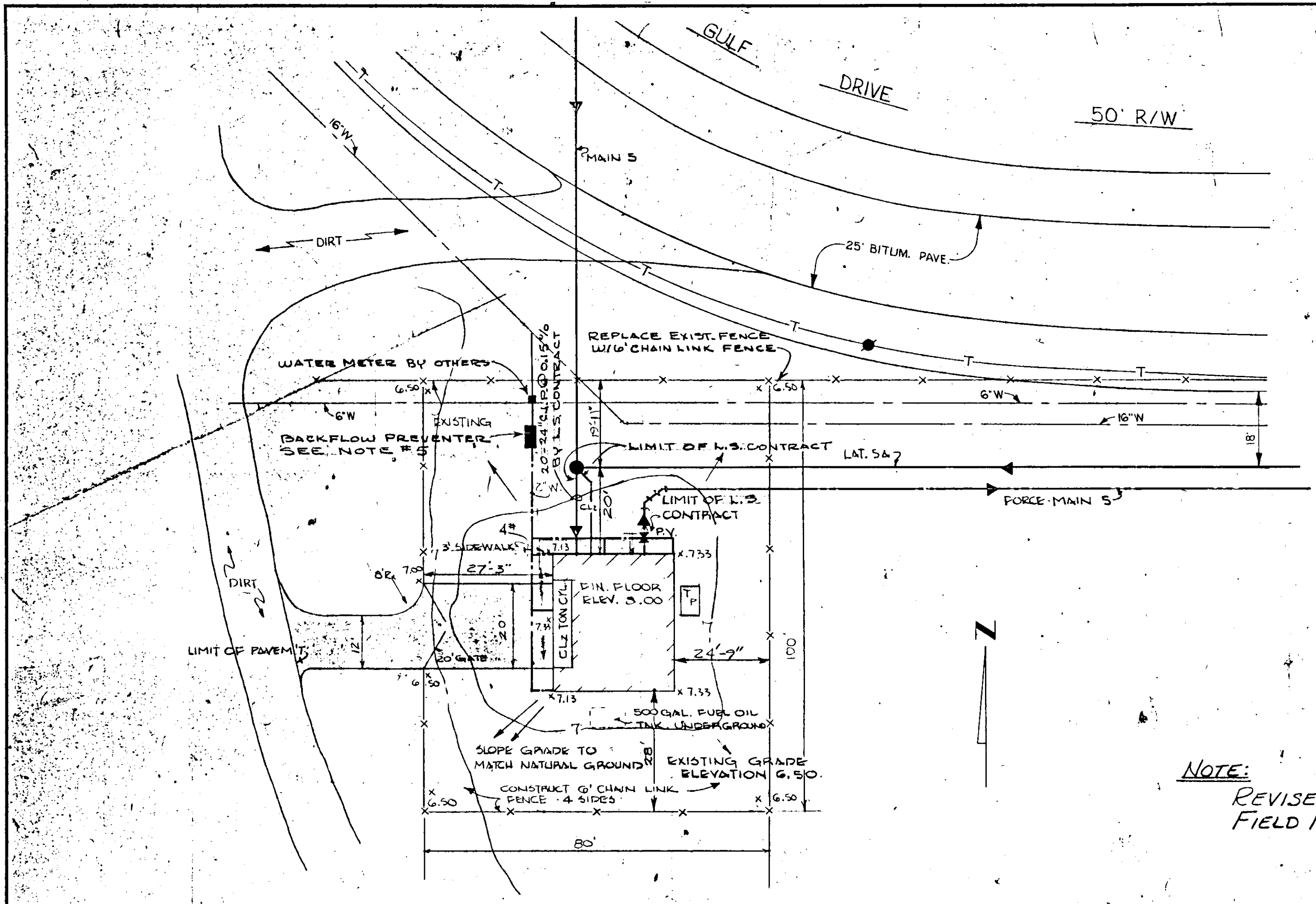
ST. LOUIS, MO.

INDEX

SH. NO.	DESCRIPTION	SH. NO.	DESCRIPTION	SH. NO.	DESCRIPTION
		18.	ELECTRICAL - MOTOR CONTROL STATION # 1M	36.	ELECTRICAL - MOTOR CONTROL STATION # 27A
1.	COVER SHEET	19.	MECH - FLOOR PLAN	37.	MECH - FLOOR PLAN
2.	SITE PLAN - STATIONS #5, #1M, #12A & #27A	20.	MECH - SECTIONS	38.	MECH - SECTIONS
3.	ARCH. FLOOR PLAN & ELEVATIONS (#27)	21.	MECH - SECTIONS	39.	MECH - SECTIONS
4.	ARCH. FLOOR PLAN & ELEVATIONS (#5, #12A, #1M)	22.	STRUCT - FLOOR PLAN	40.	STRUCT - FLOOR PLAN
5.	ARCH. DETAILS - STATIONS #5, #1M, #12A & #27A	23.	STRUCT - SECTIONS	41.	STRUCT - SECTIONS
6.	ARCH. DETAILS & SCHEDULES - STATIONS #5, #1M, #12A & #27A STATION #5	24.	STRUCT - SECTIONS	42.	STRUCT - SECTIONS
7.	MECH - FLOOR PLAN	25.	ELECTRICAL -	43.	ELECTRICAL - WIRING FLOOR PLAN
8.	MECH - SECTIONS	26.	ELECTRICAL - LIGHTING	44.	ELECTRICAL - LIGHTING
9.	MECH - SECTIONS	27.	ELECTRICAL - MOTOR CONTROL STATION #12A	45.	ELECTRICAL - MOTOR CONTROL
10.	MISC. DETAILS (ALL STATIONS)	28.	MECH - FLOOR PLAN		
11.	MISC. DETAILS (ALL STATIONS)	29.	MECH - SECTIONS		
12.	STRUCT - FLOOR PLAN	30.	MECH - SECTIONS		
13.	STRUCT - SECTIONS	31.	STRUCT - FLOOR PLAN		
14.	STRUCT - SECTIONS	32.	STRUCT - SECTIONS		
15.	ELECTRICAL - SCHEDULES & SCHEMATICS (ALL STATIONS)	33.	STRUCT - SECTIONS		
16.	ELECTRICAL - WIRING FLOOR PLAN	34.	ELECTRICAL - WIRING FLOOR PLAN		
17.	ELECTRICAL - LIGHTING	35.	ELECTRICAL - LIGHTING		

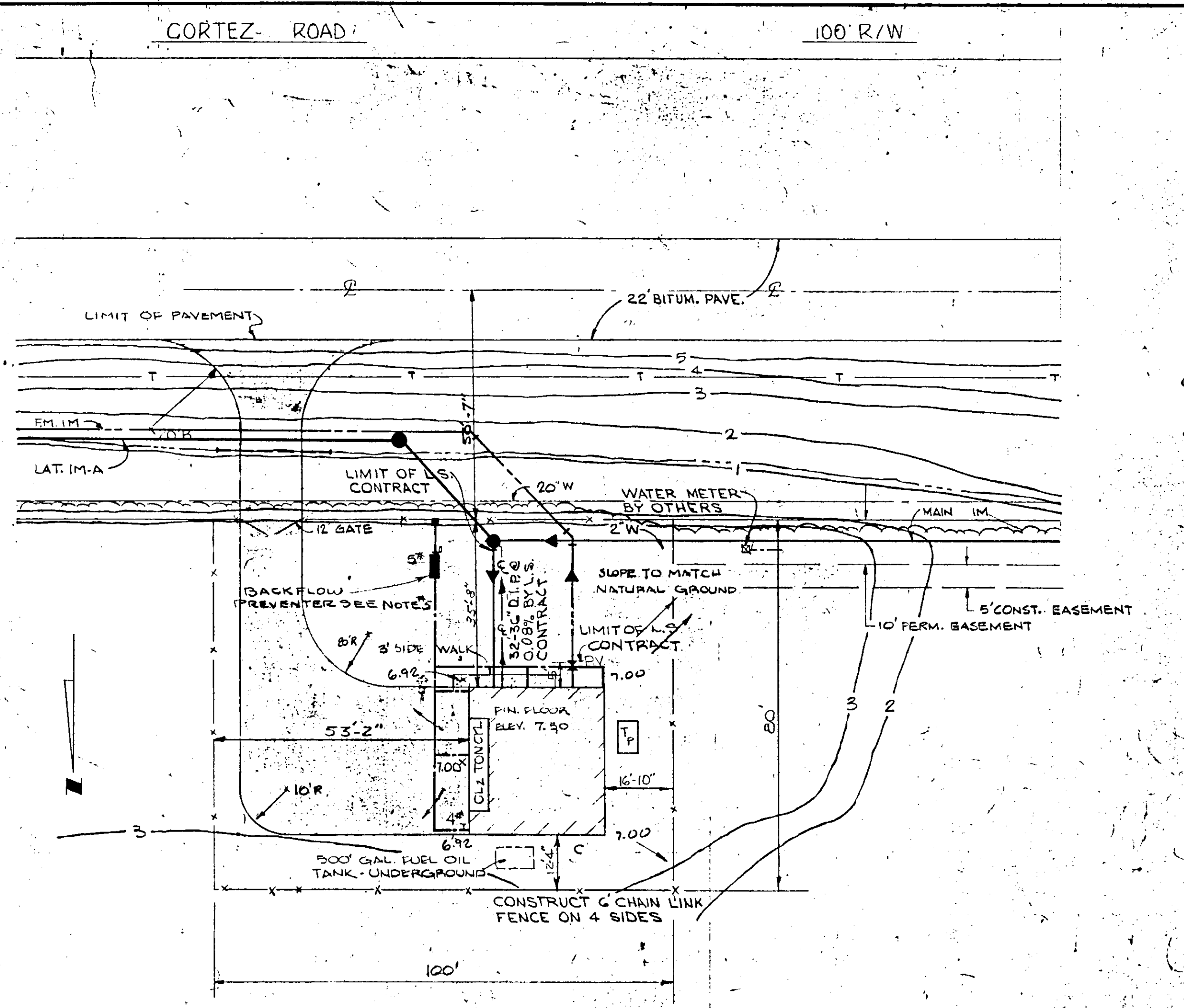
MANATEE COUNTY, FLORIDA
 SANITARY SEWERAGE PROJECT
 PART A - SECTION III
 PROJECT NO. 6681-85
 SHEET NO. 1 OF 45

17-01

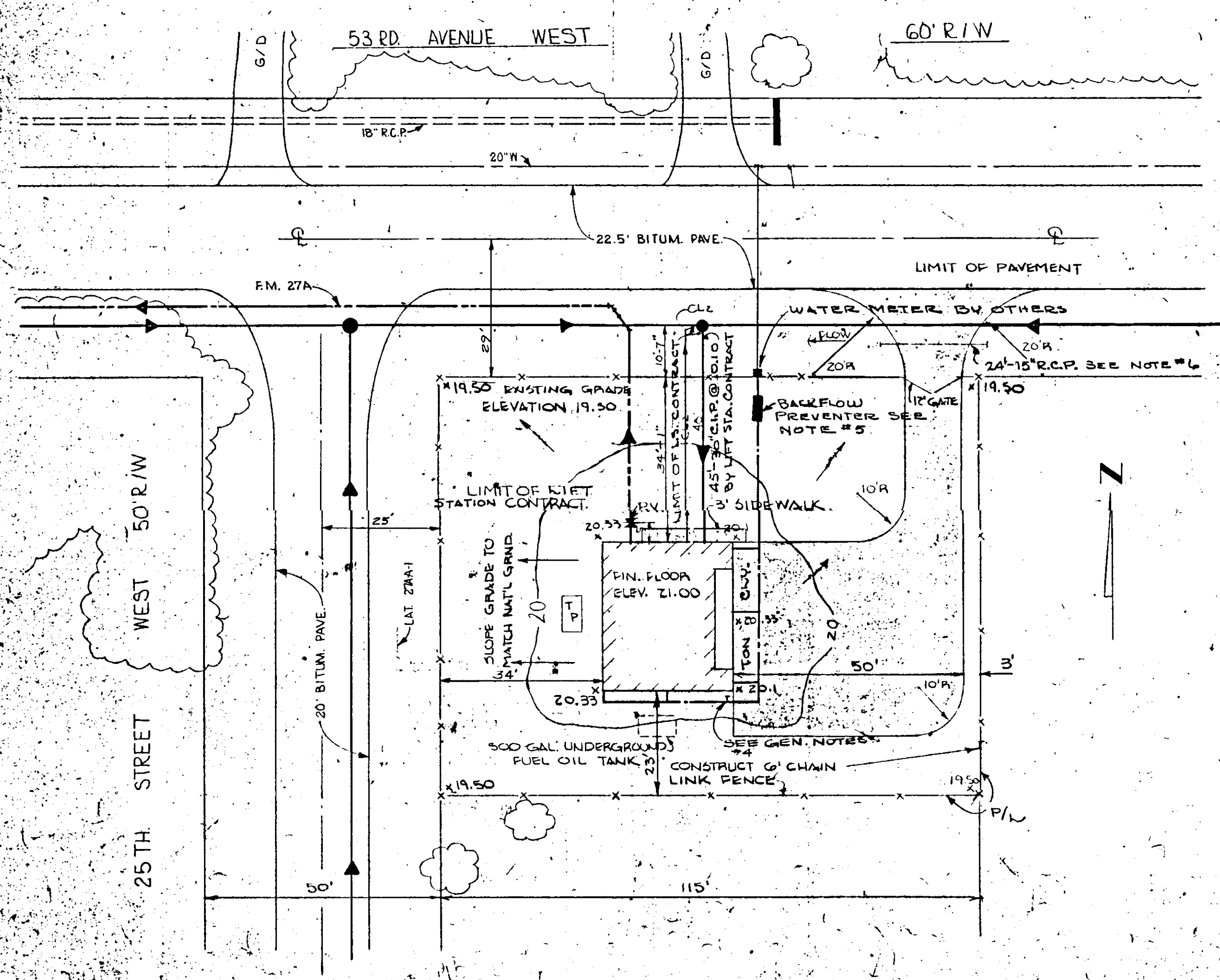


SITE PLAN LIFT STATION 5

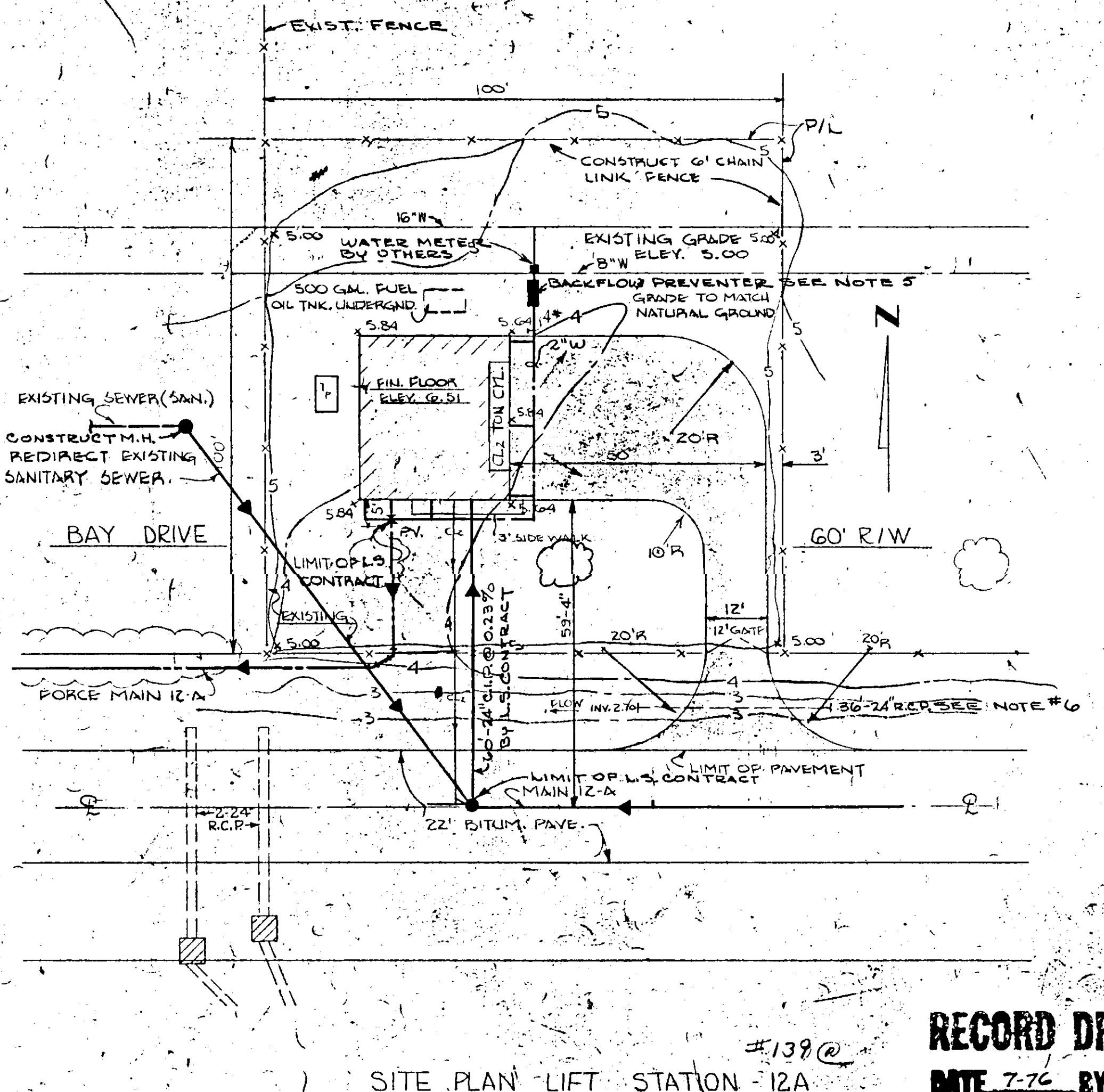
NOTE:
REVISED AS PER CONTRACTOR'S
FIELD MEASUREMENTS.



SITE PLAN LIFT STATION 1M



SITE PLAN LIFT STATION 27A



SITE PLAN LIFT STATION 12A

GENERAL NOTES

1. TRANSFORMER & PAD TO BE LOCATED AND FURNISHED BY F.R.L. CO.
2. EXISTING TREES SHALL BE PROTECTED & PRESERVED, WHEREVER POSSIBLE.
3. ALL LANDSCAPING WILL BE RESPONSIBILITY OF MANATEE COUNTY PARKS DEPT. CONTRACTOR SHALL FINISH GRADE ALL DISTURBED AREAS.
4. 1 1/2" x 2" CONNECTION ON WATER LINE, (FOR USE IN CONJUNCTION W/ FUTURE SPRINKLING SYSTEM - NOT PART OF THIS CONTRACT.)
5. * = REDUCED PRESSURE BACKFLOW PREVENTER. (SEE MISC. - DETAILS SHEET 11)
6. INVERT TO MATCH BOTTOM OF EXISTING DITCH.

NO.	DATE	DESCRIPTION	BY	CHKD.
1-76		RECORD DRAWING		
2	APR 73	REVISED L.S. 1M PER C.O. 2	RLP	JWC
3	AUG-72	RELOCATED L.S. 1M	LEB	JWC

RUSSELL & AXON
Consulting Engineers, Incorporated
DAYTONA BEACH, FLA. ST. LOUIS, MO.

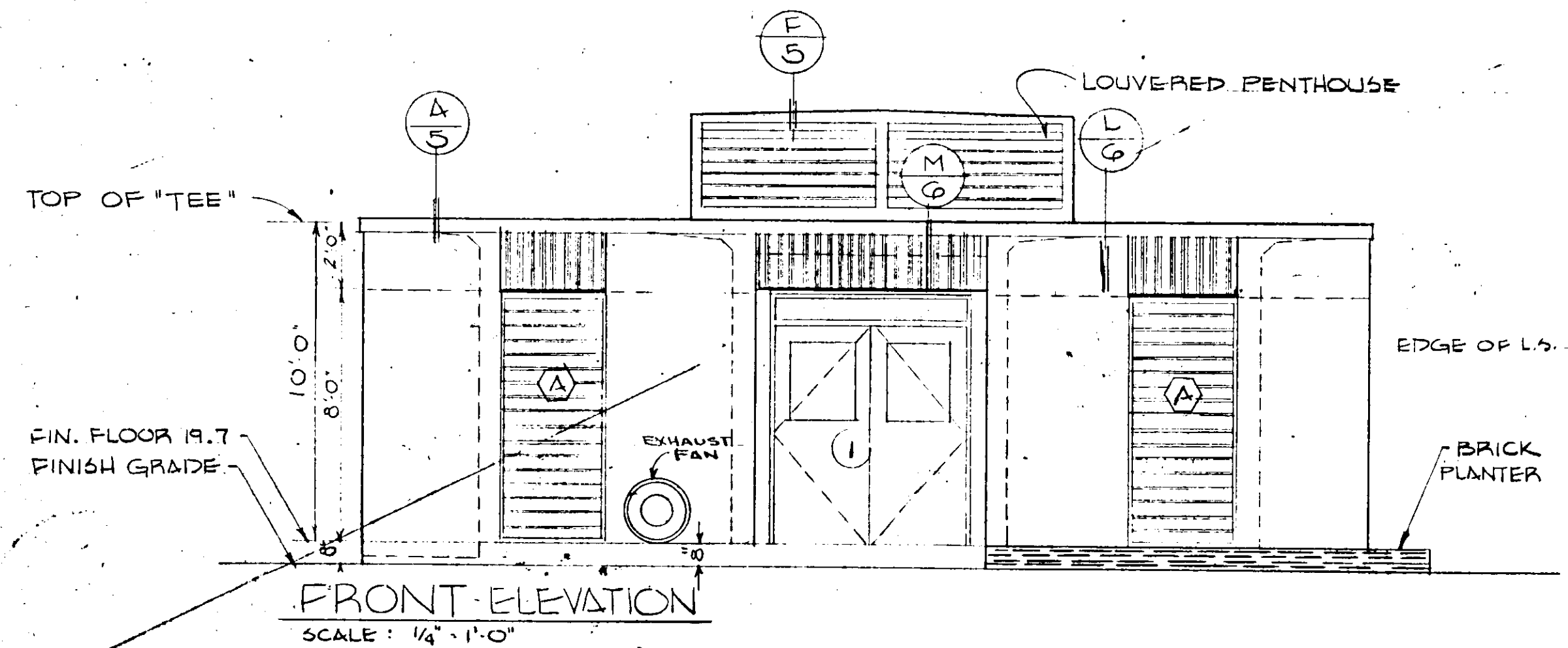
SANITARY SEWERAGE PROJECT
PART A
SECTION III - SEWAGE LIFT STATIONS
SITE PLANS

MANATEE COUNTY FLORIDA

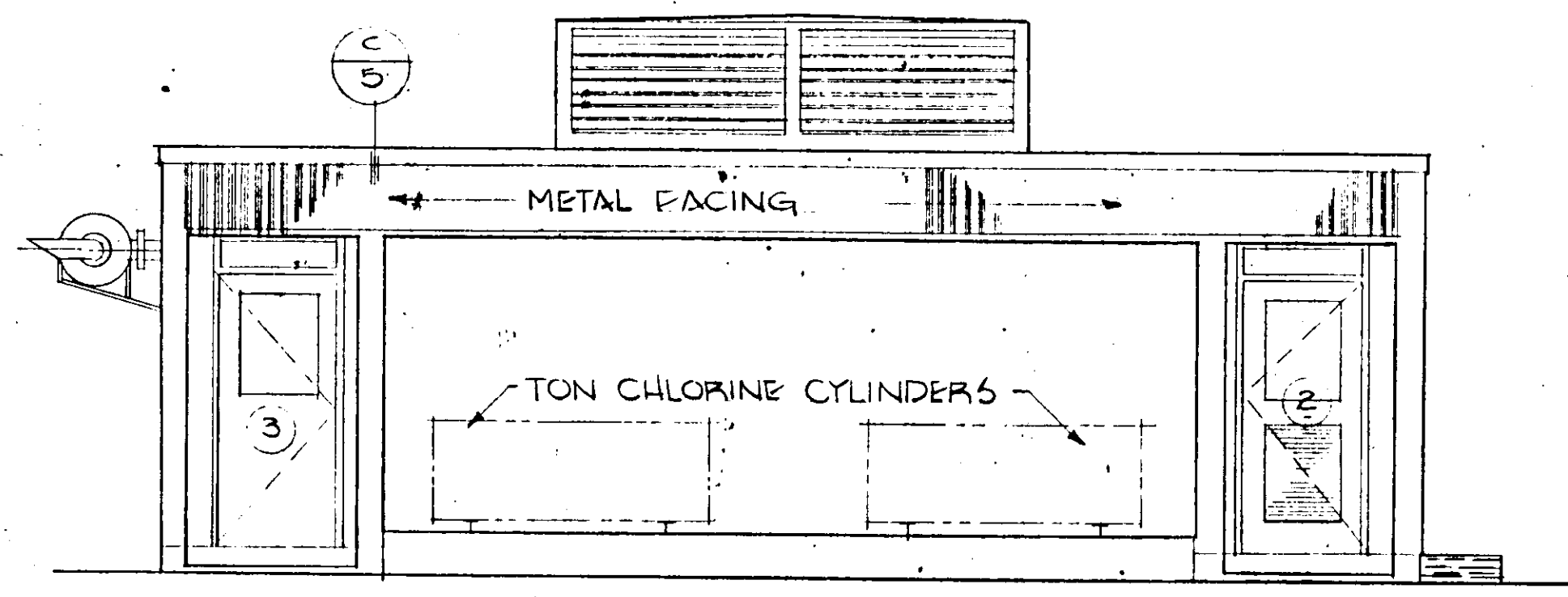
DESIGNED BY: P.B.C. FILE NO. 6681-8b
DRAWN BY: AS.R. & S. SHEET 2 OF 45
CHECKED BY: J.W.C. No. 2 SHEETS
DATE: DEC. 1971 SCALE: 1" = 20'

RECORD DRAWING
DATE 7-76 BY R.J.M.
CL 17-01

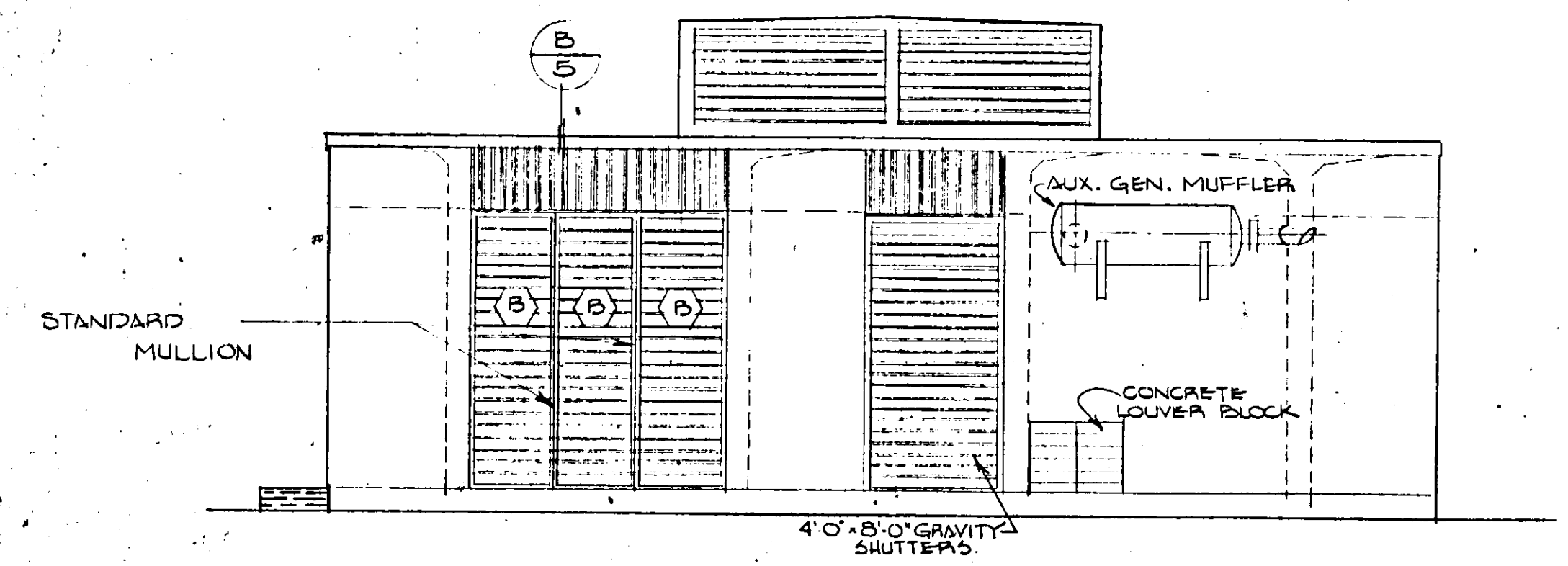
SEAL
JOHN W. CUMMINGS
No. 9522
STATE OF FLORIDA
REGISTERED ENGINEER



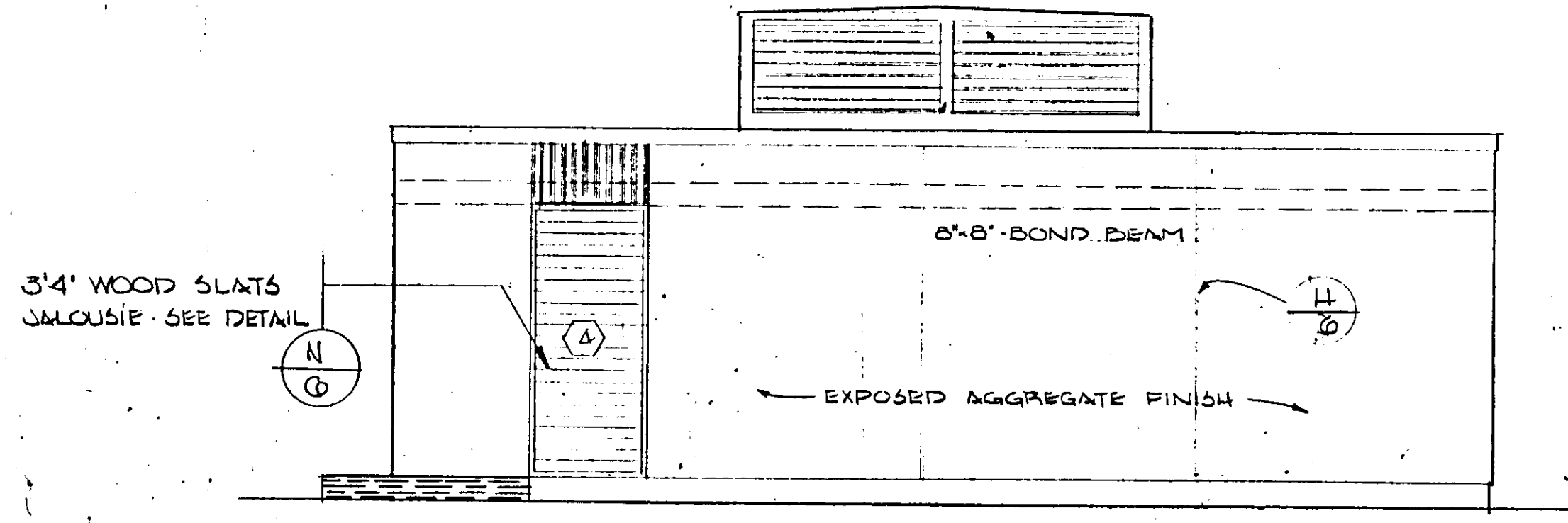
FRONT ELEVATION
SCALE: 1/4" = 1'-0"



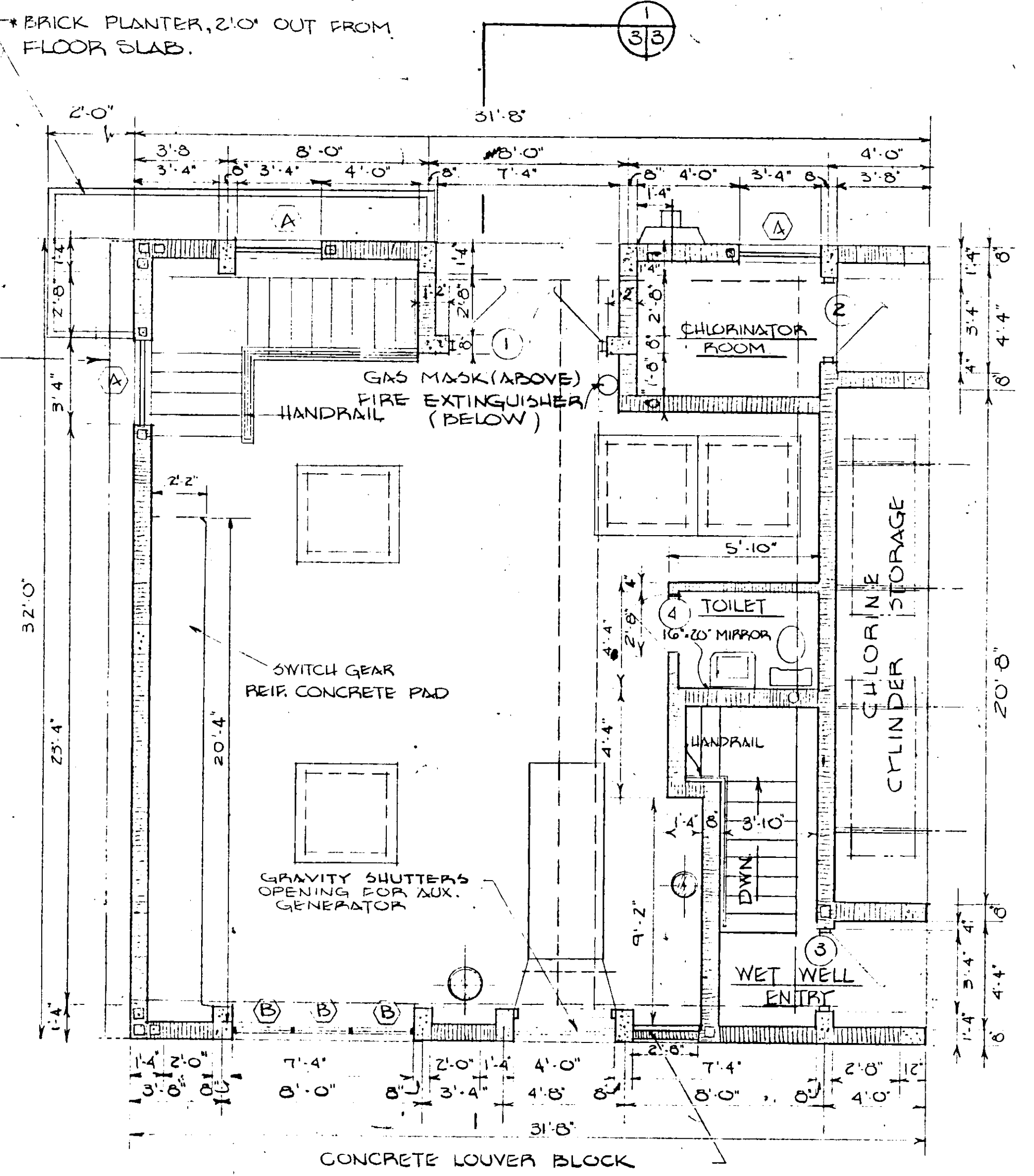
RIGHT ELEVATION
SCALE: 1/4" = 1'-0"



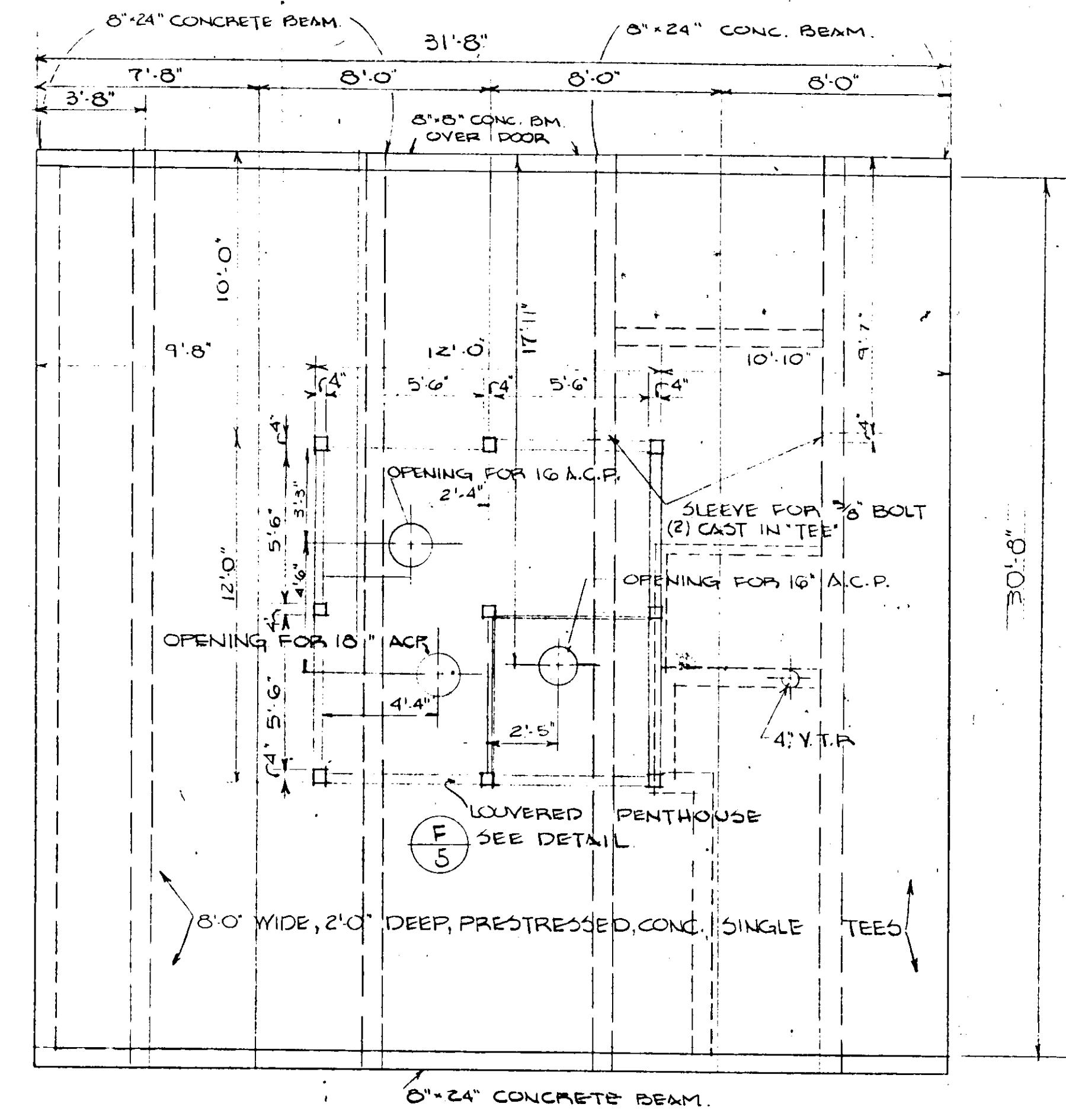
REAR ELEVATION
SCALE: 1/4" = 1'-0"



LEFT ELEVATION
SCALE: 1/4" = 1'-0"

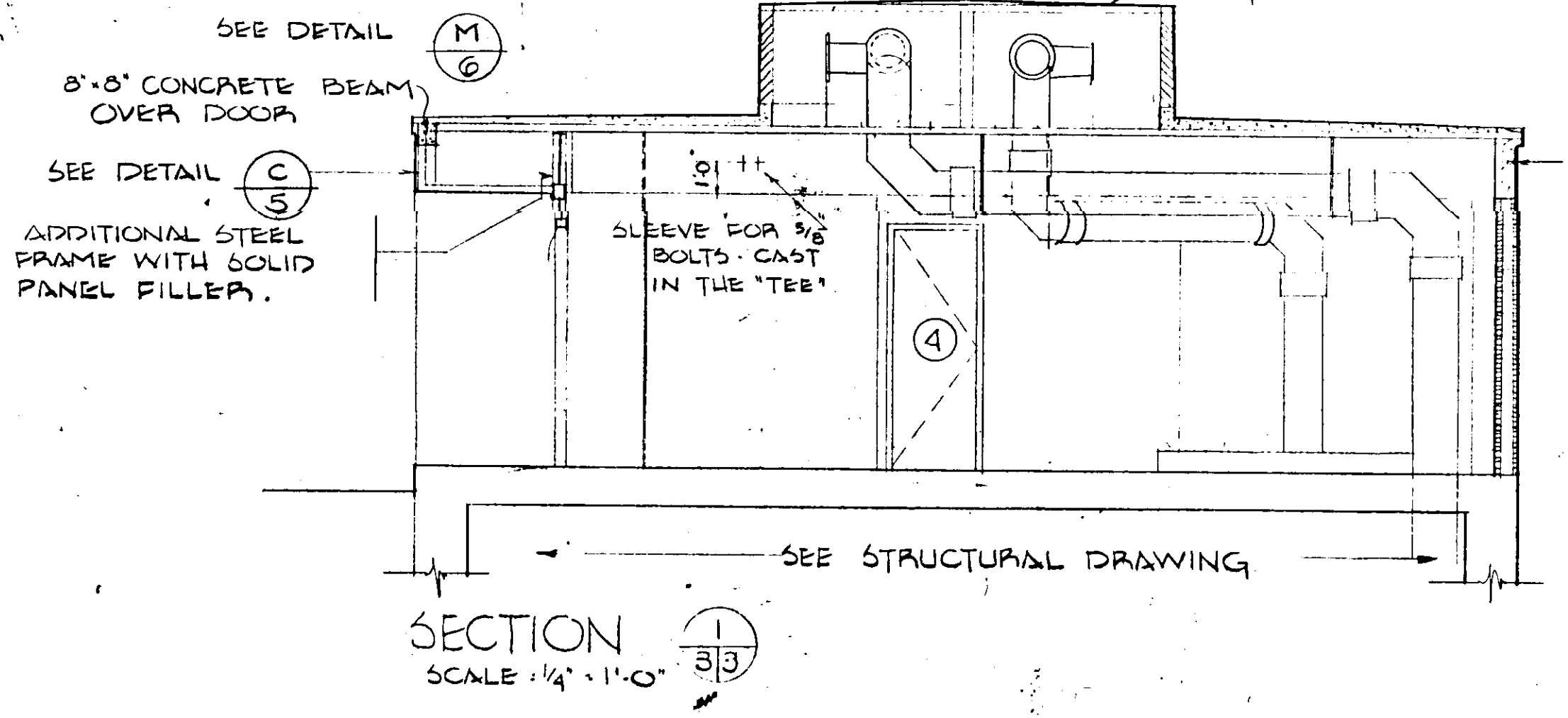


FLOOR PLAN
SCALE: 1/4" = 1'-0"



ROOF PLAN
SCALE: 1/4" = 1'-0"

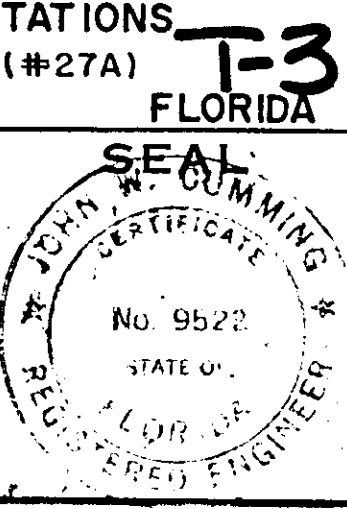
NOTES:
ALL COLUMNS ARE 8" x 16" UNLESS OTHERWISE NOTED. SEE STRUCTURAL DRAWING, FOR REINFORCING.
CELLS OF CONCRETE MASONRY UNITS SHOWN (REBAR) SHALL HAVE 1" x 4" IN CENTER (DOWEL DOWN INTO CONCRETE) & BE FILLED W/ GROUT.

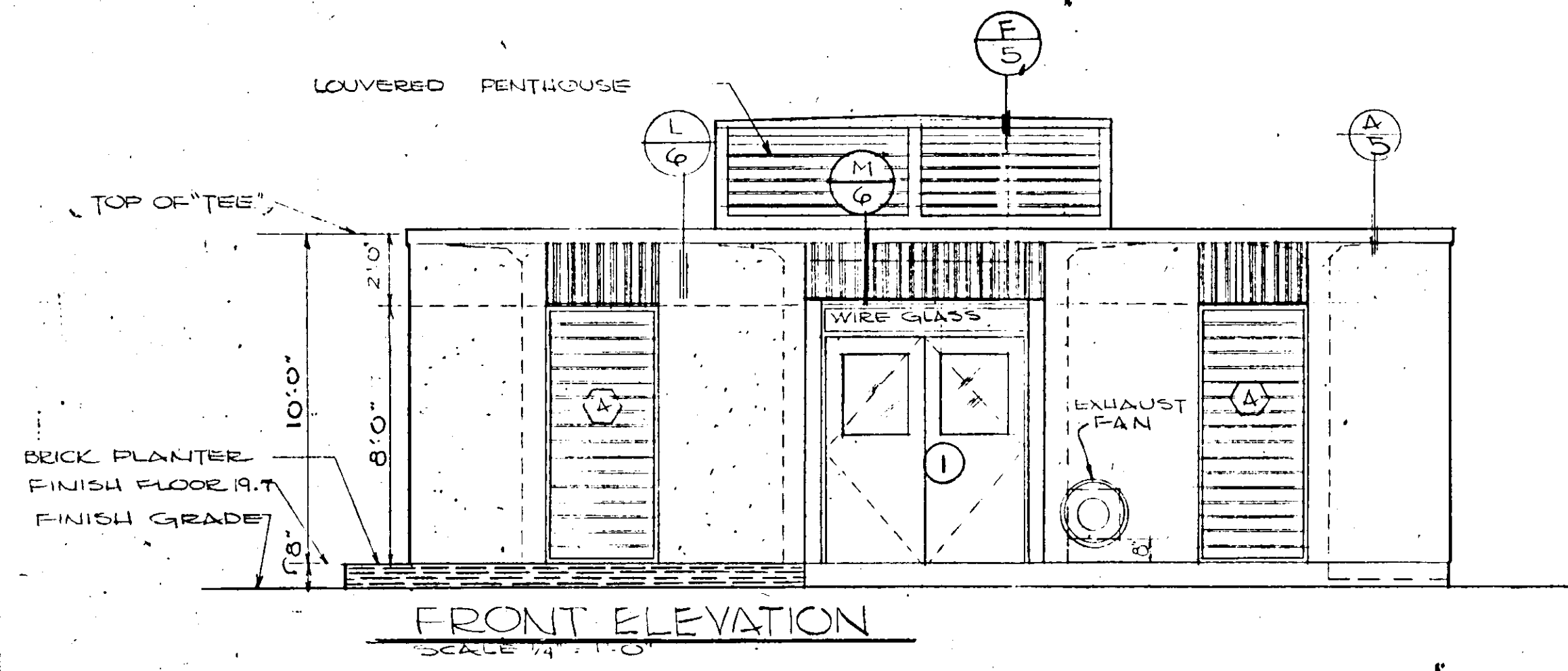


SECTION
SCALE: 1/4" = 1'-0"

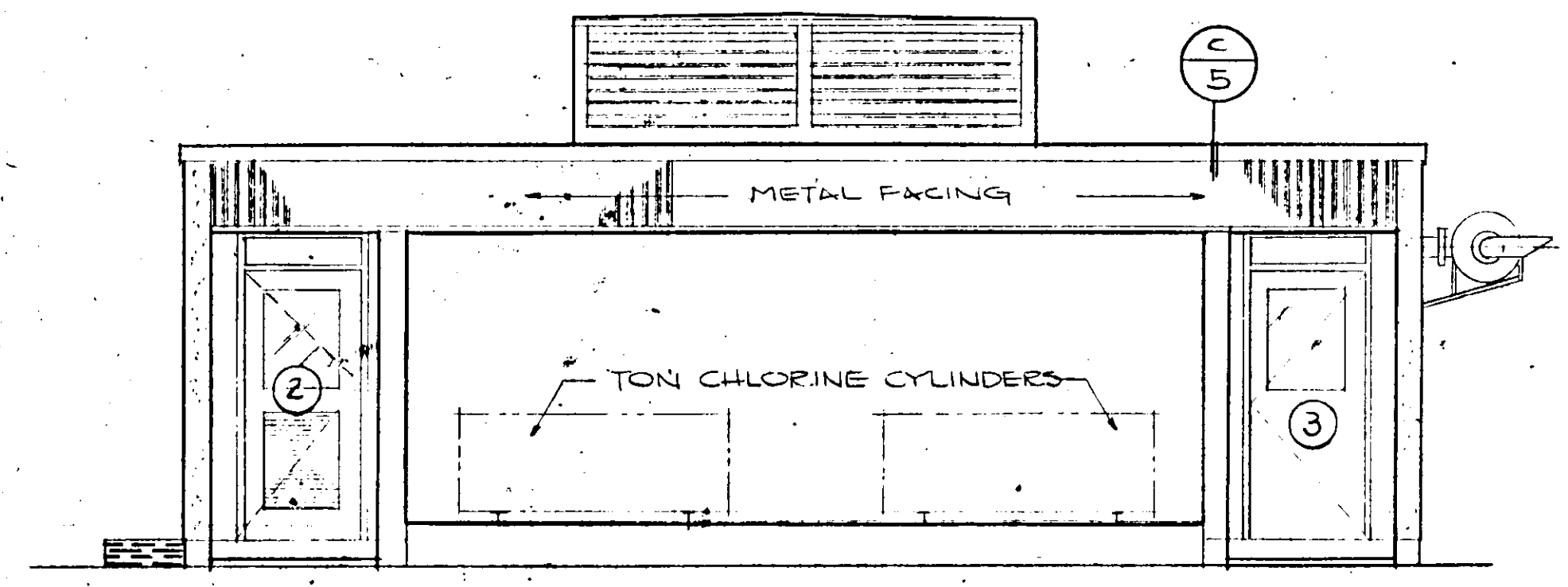
NO.	DATE	DESCRIPTION	BY	CHKD.
REVISIONS				
RUSSELL & AXON Consulting Engineers, Incorporated DAYTONA BEACH, FLA. ST. LOUIS, MO.				
SANITARY SEWERAGE PROJECT PART A SECTION III - SEWER LIFT STATIONS ARCH. - FLOOR PLAN & ELEVATIONS (#27A)				
MANATEE COUNTY FLORIDA				
DESIGNED BY	FILE NO.			
PBC/ROV	6681-8b			
DRAWN BY	SHEET			
Checked by	OF 45 SHEETS			
DATE	SCALE: 1/4" = 1'-0"			
DEC. 1971				

17-01

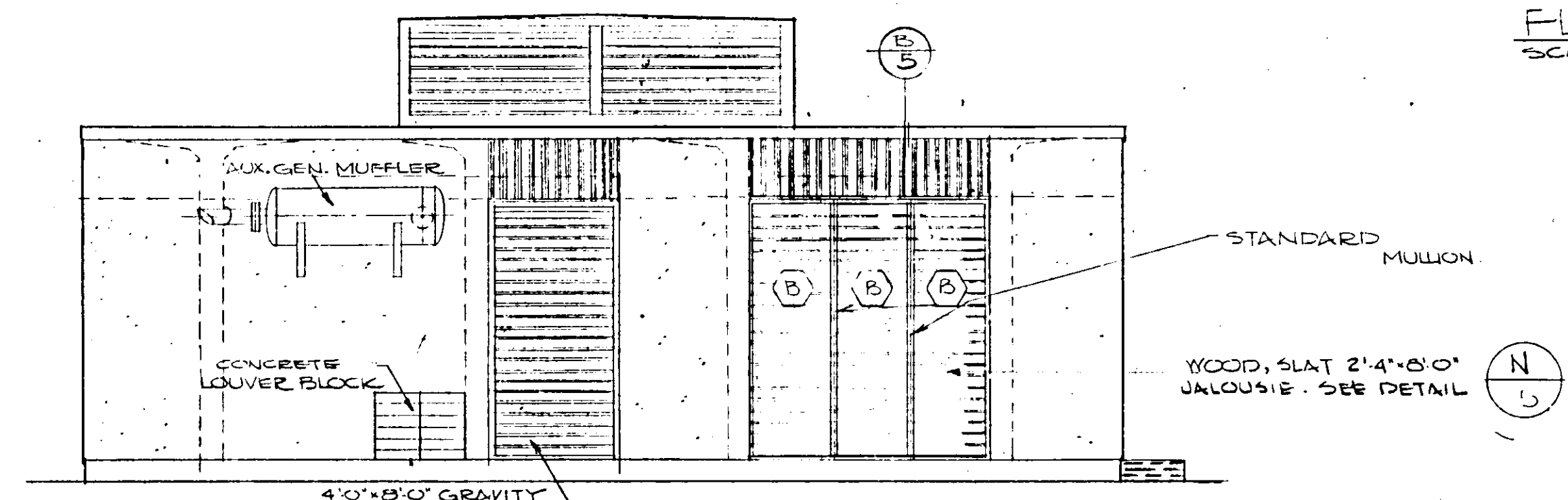




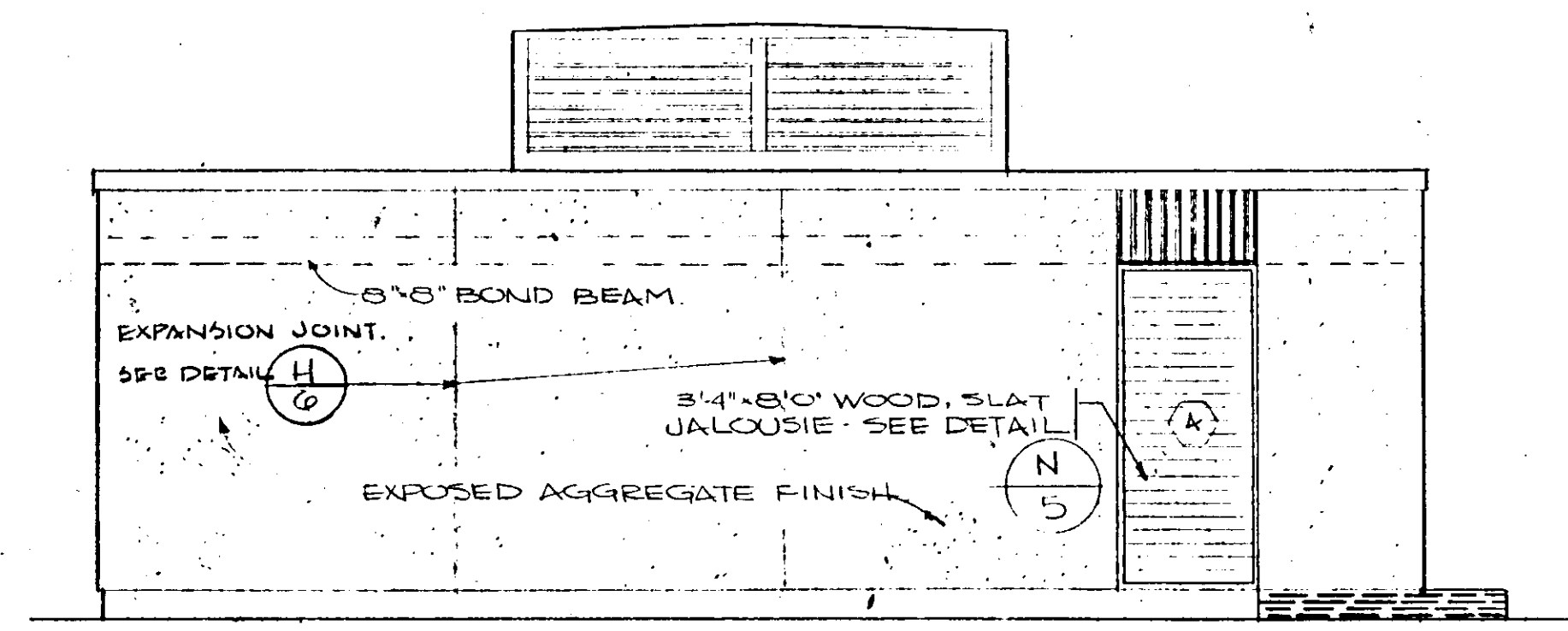
FRONT ELEVATION
SCALE 1/4" = 1'-0"



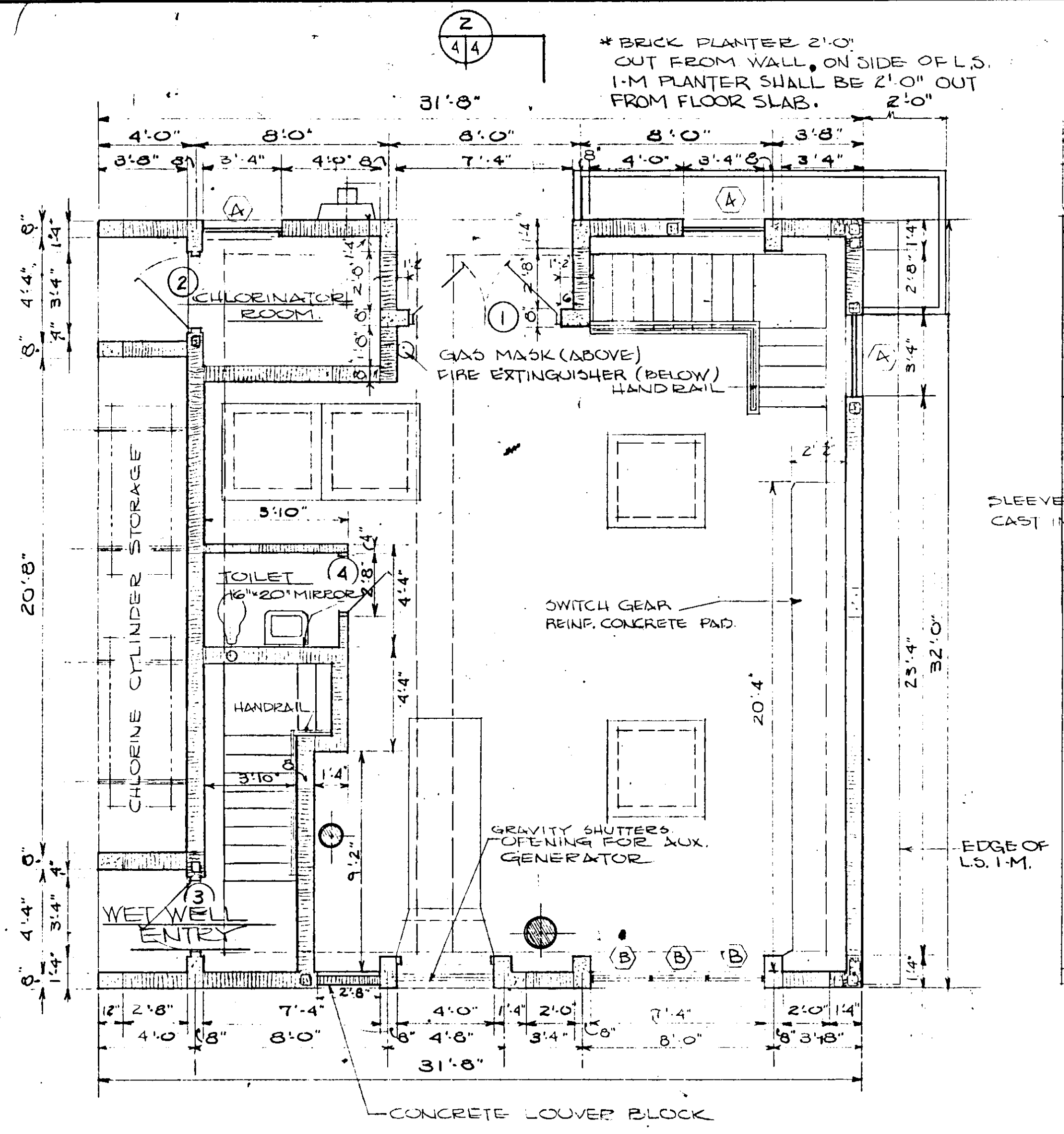
RIGHT ELEVATION
SCALE 1/4" = 1'-0"



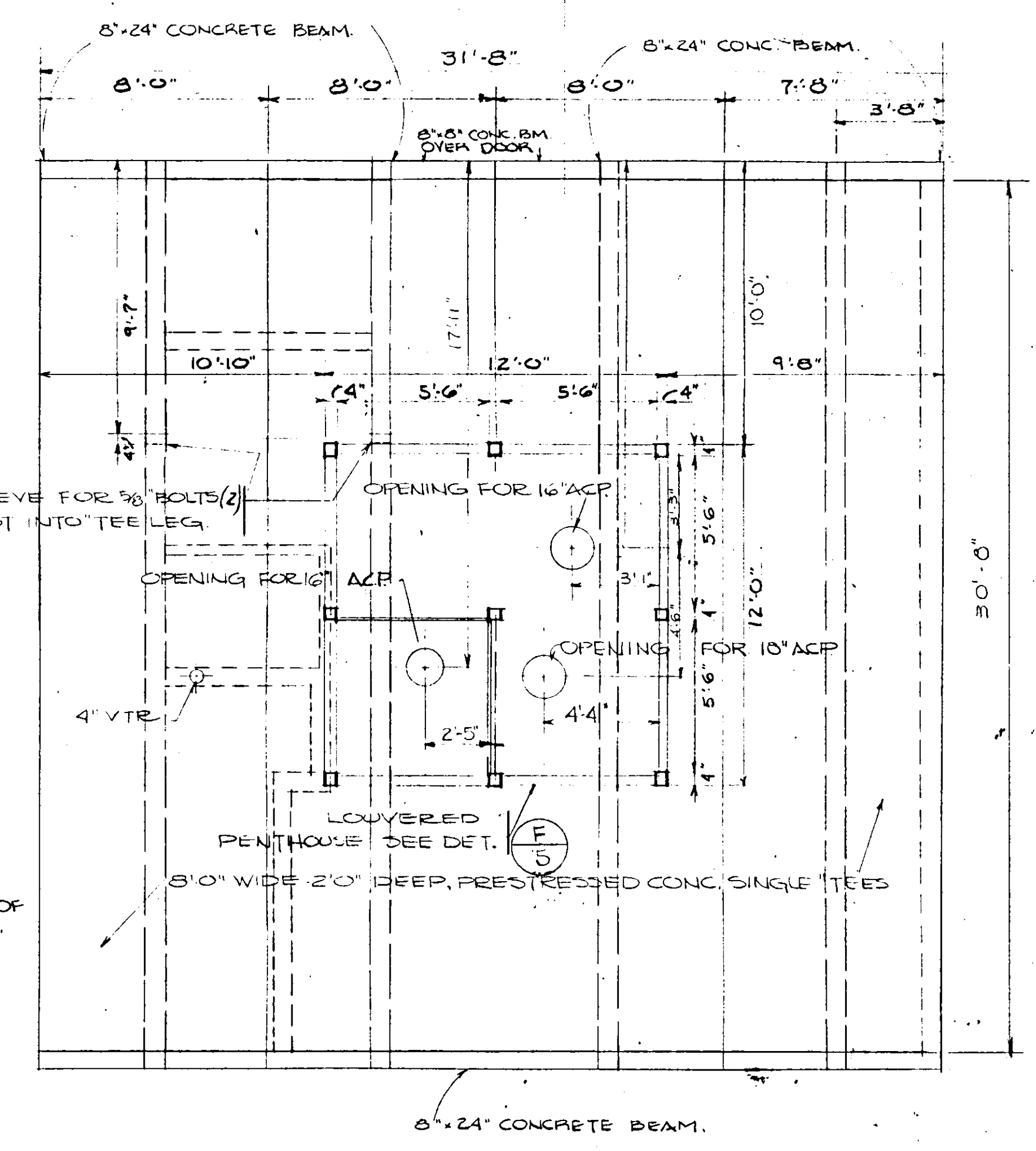
REAR ELEVATION
SCALE 1/4" = 1'-0"



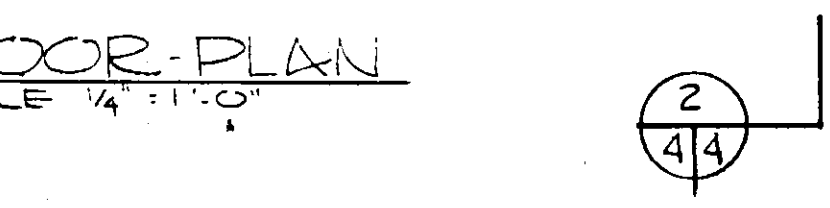
LEFT ELEVATION
SCALE 1/4" = 1'-0"



FLOOR PLAN
SCALE 1/4" = 1'-0"



ROOF PLAN
SCALE 1/4" = 1'-0"

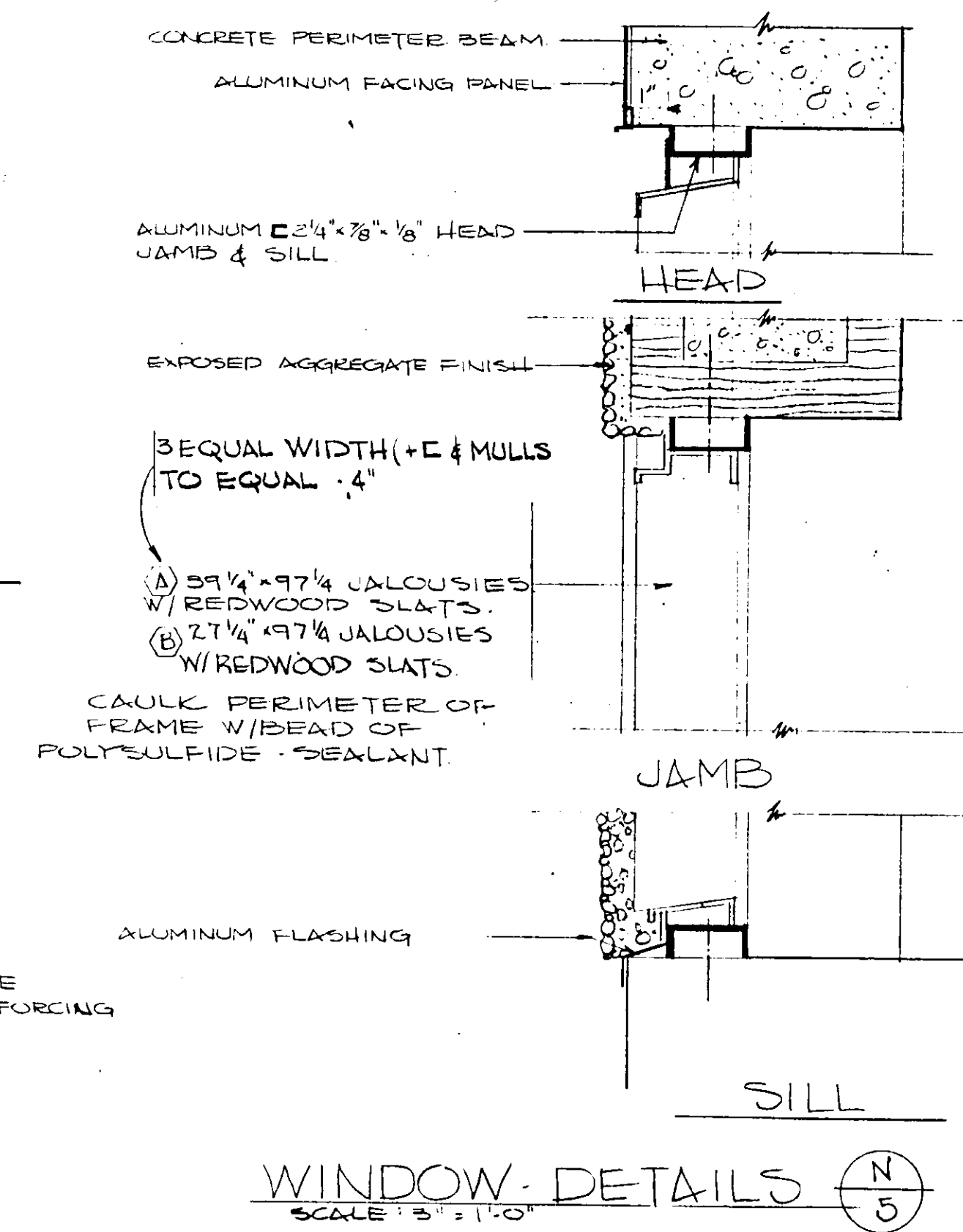
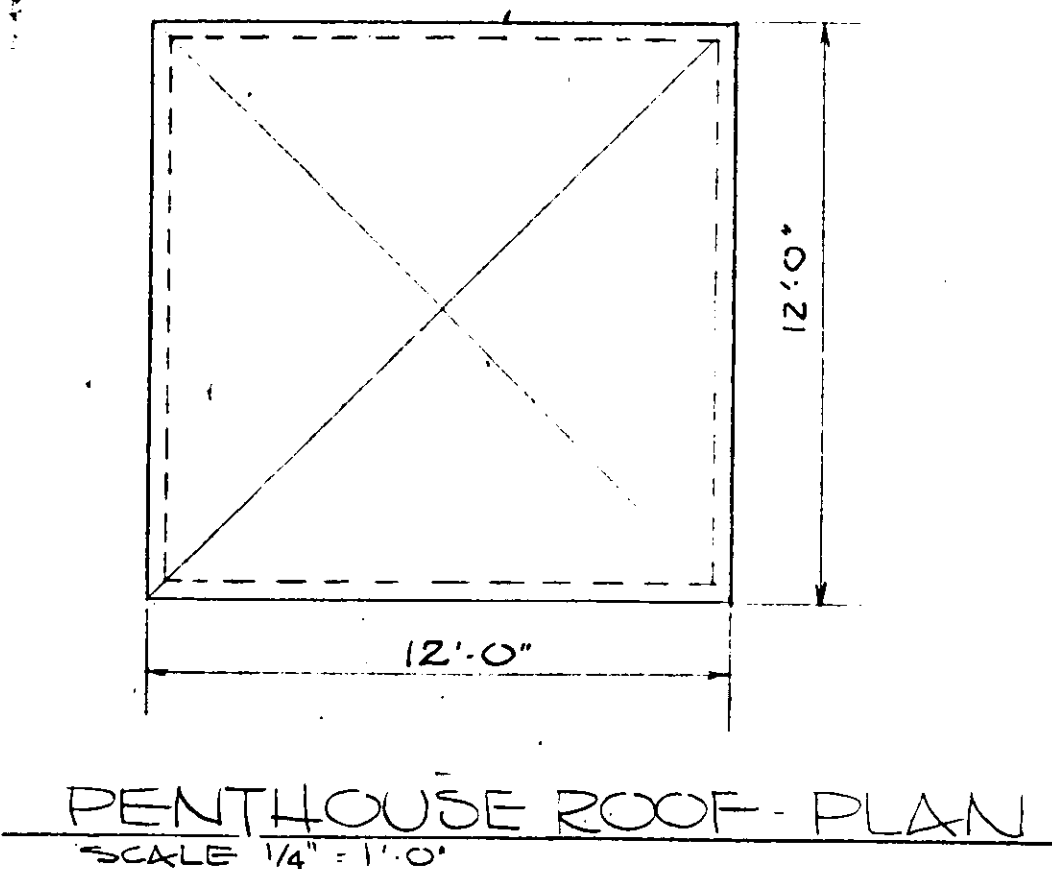
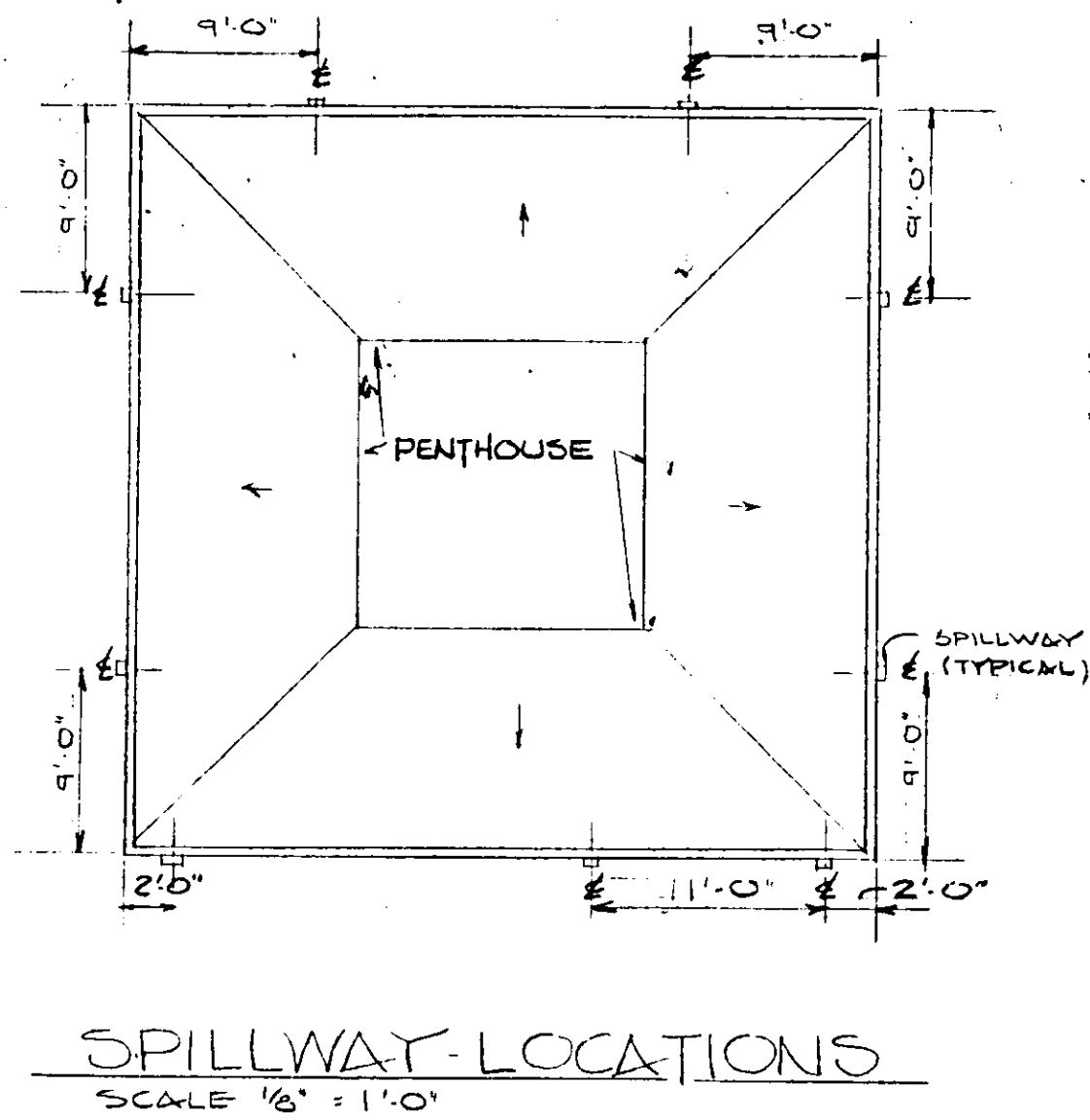
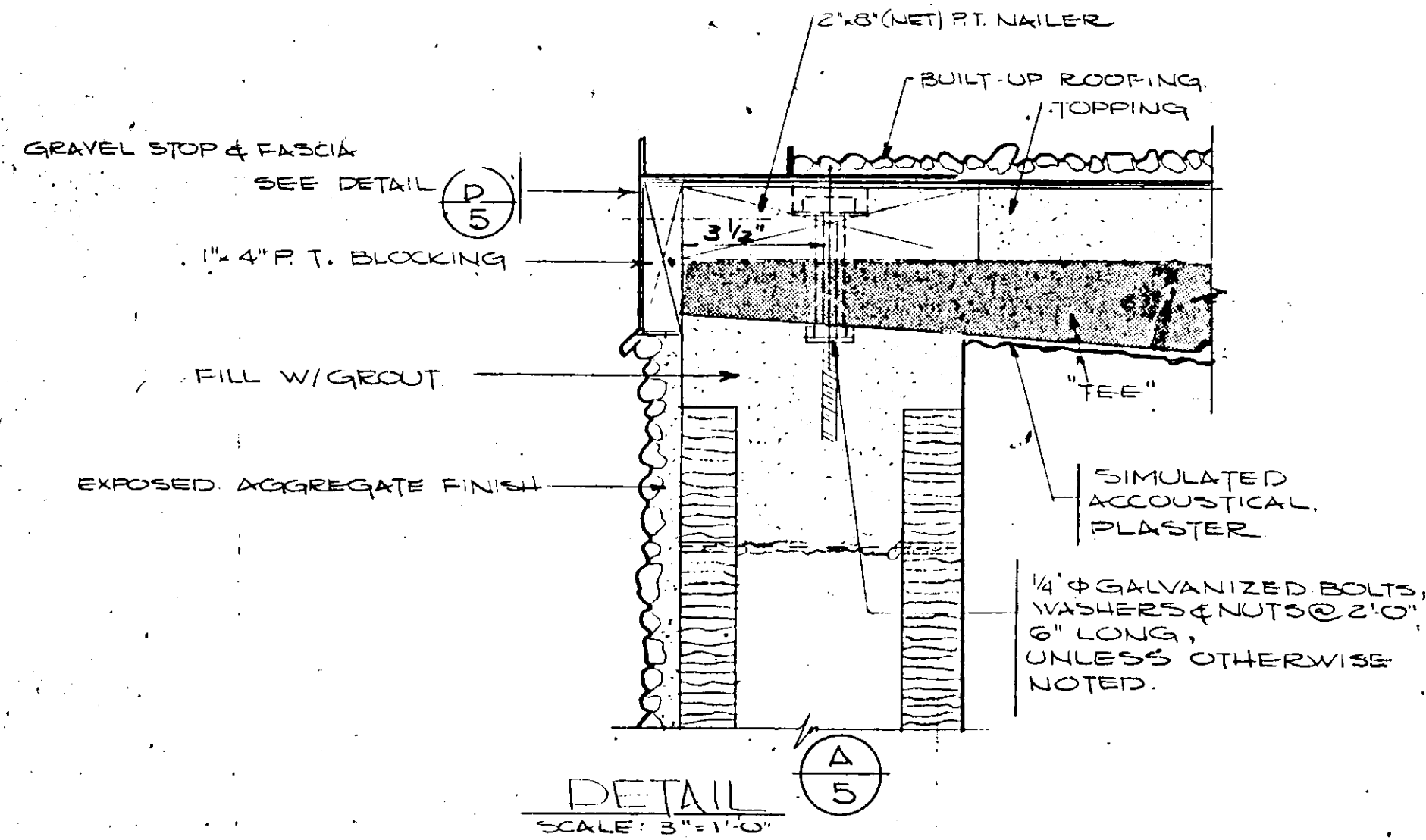


SECTION 2/44
SCALE 1/4" = 1'-0"

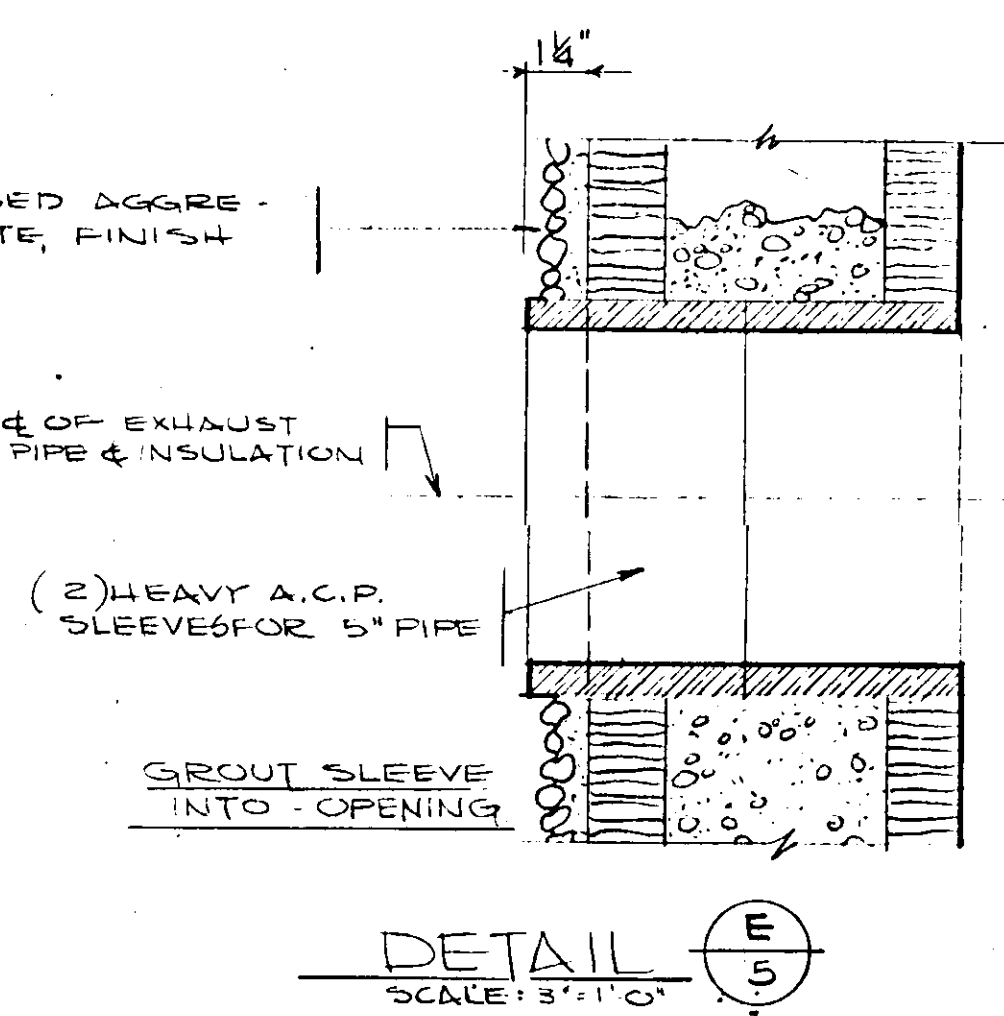
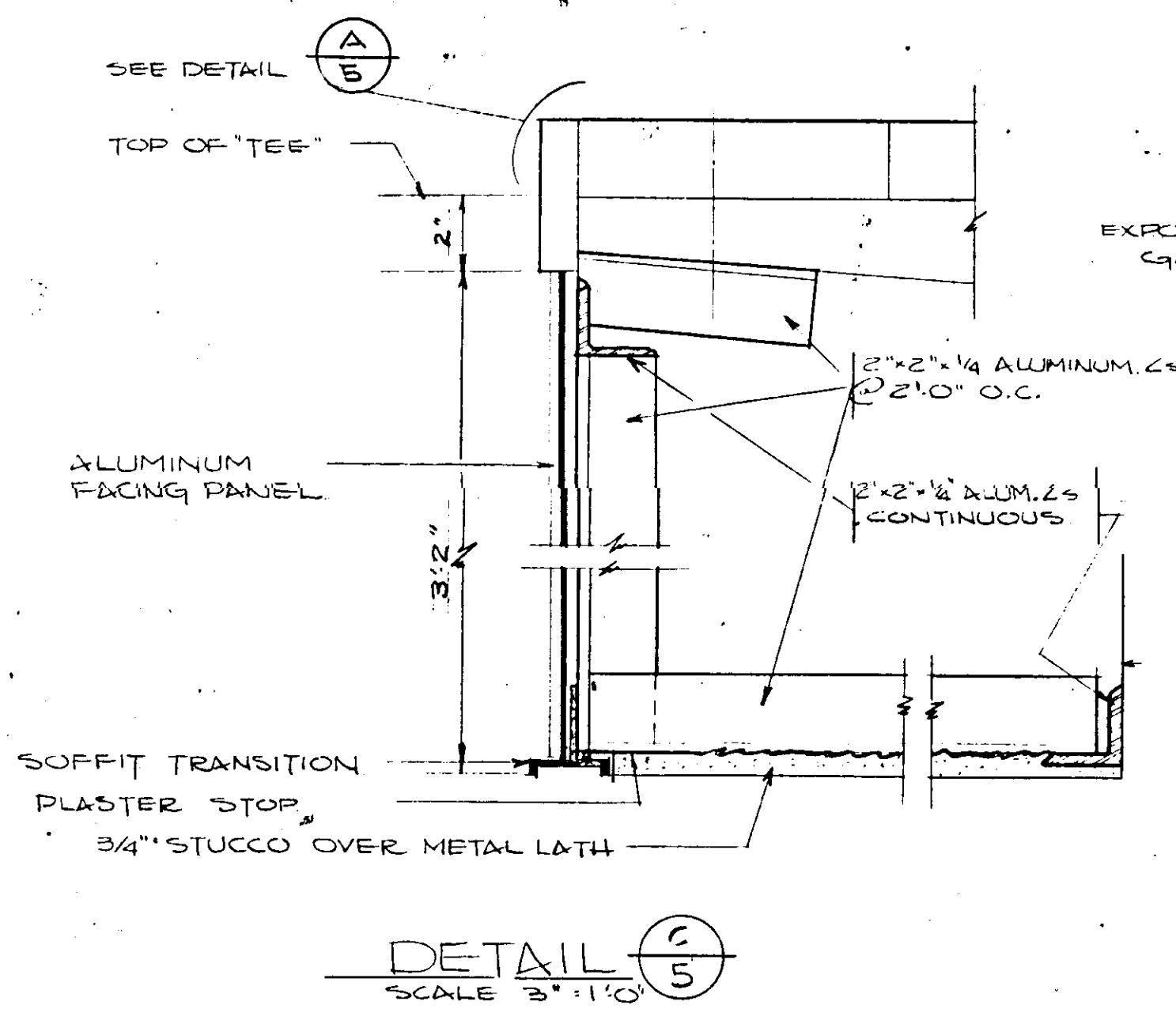
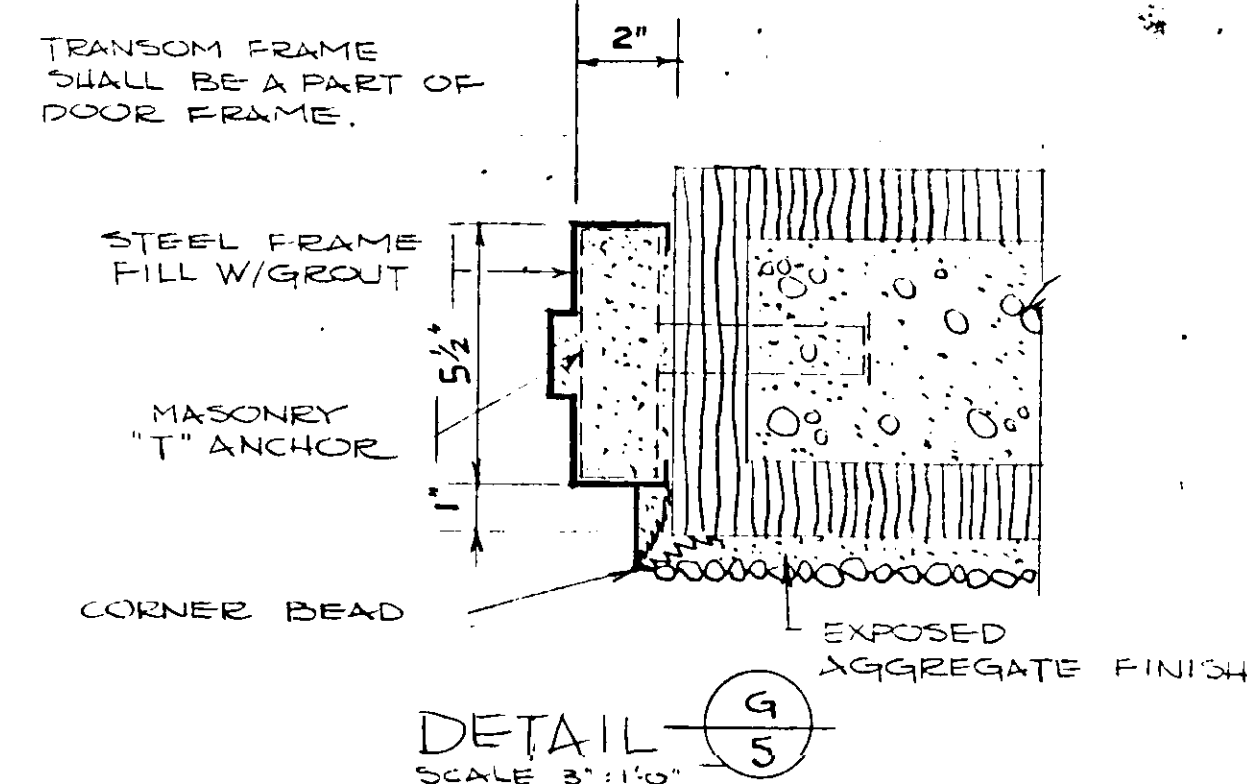
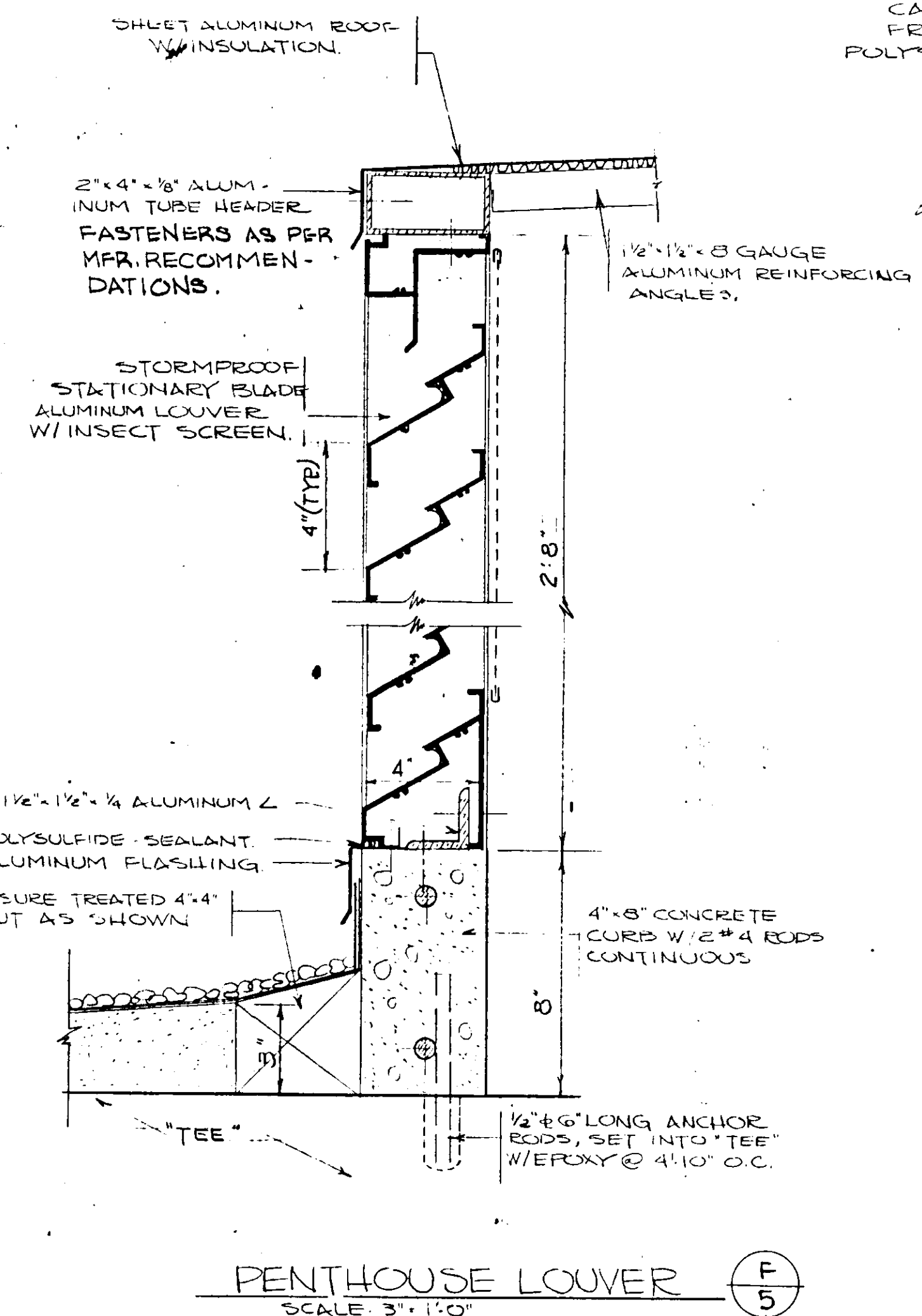
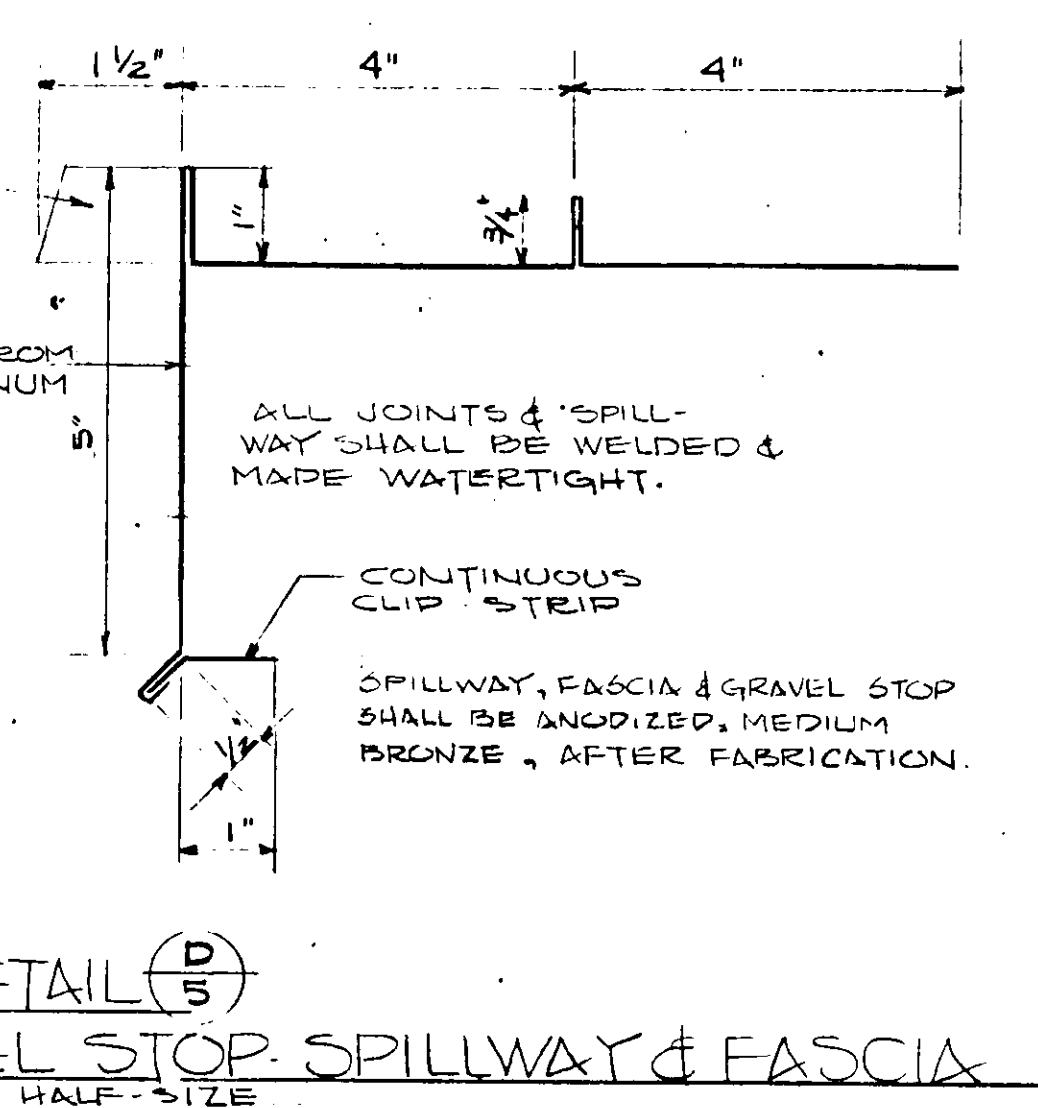
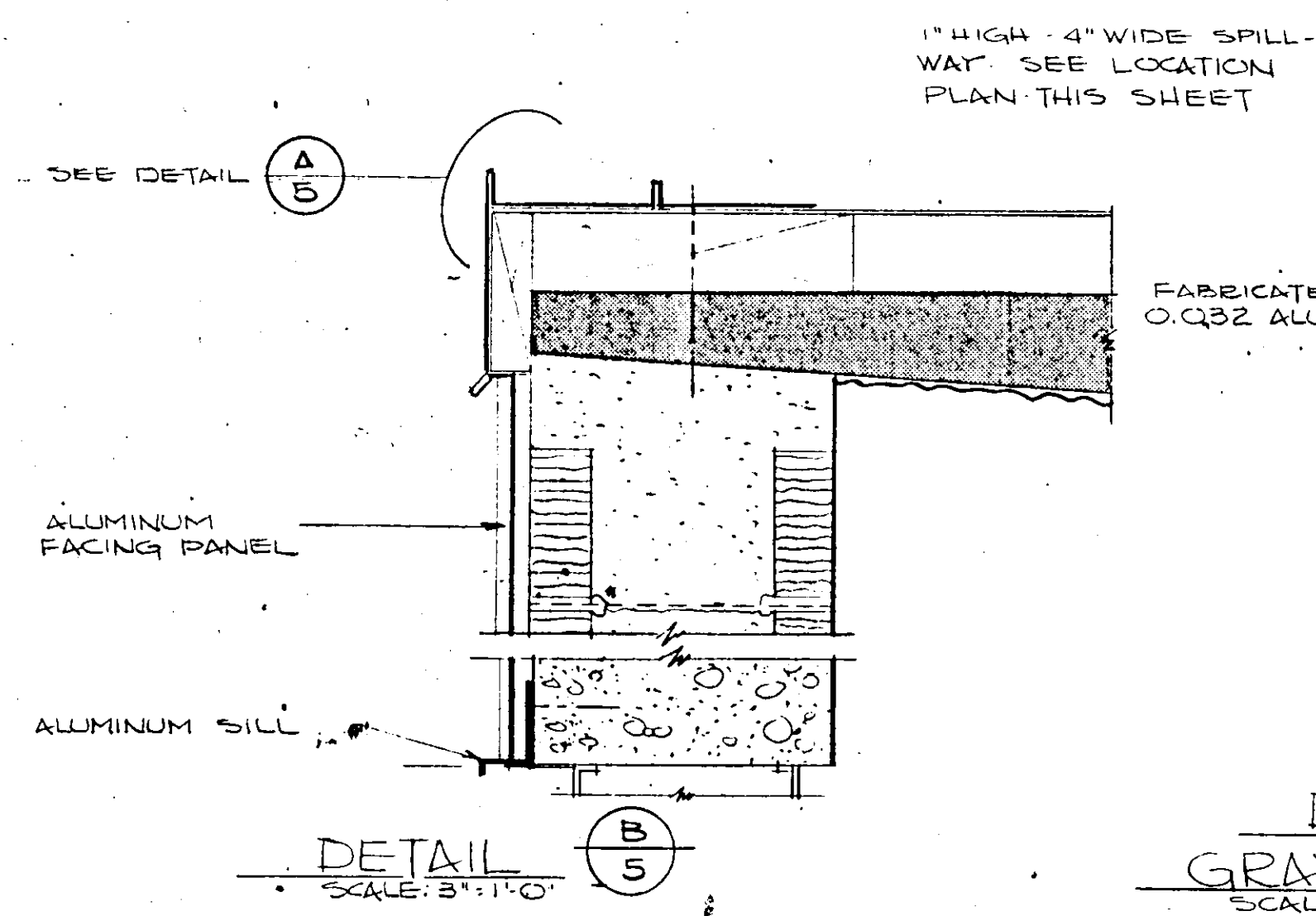
NOTES:
ALL COLUMNS ARE 8" x 16" UNLESS OTHERWISE NOTED. SEE STRUCTURAL DRAWINGS FOR REINFORCING.
CELLS OF CONCRETE MASONRY UNITS, SHOWN [Symbol] SHALL HAVE 1" x 4" IN CENTER (POWEL DOWN INTO CONCRETE) & BE FILLED W/GROUT.

NO.	DATE	DESCRIPTION	BY	CHKD.
REVISIONS				
RUSSELL & AXON Consulting Engineers, Incorporated				
DAYTONA BEACH, FLA.		ST. LOUIS, MO.		
SANITARY SEWERAGE PROJECT PART A				
SECTION III-SEWER LIFT STATIONS T-4				
ARCH. - FLOOR PLAN & ELEVATIONS (#5, #12A & #1M)				
MANATEE COUNTY		FLORIDA		
DESIGNED BY	FILE NO.	SEAL JOHN W. GUMMING REGISTERED ARCHITECT STATE OF FLORIDA		
PBC/Rov	6681-8b			
DRAWN BY	SHEET	No. 4 STATE OF FLORIDA		
J	45			
CHECKED BY	OF 45 SHEETS	SCALE: 1/4" = 1'-0"		
DATE	DEC. 1971			

17-01



NOTE: JALOUSIES SHALL HAVE GEARED OPERATORS W/ OPERATOR FOR TOP HALF & 1 FOR BOTTOM HALF.



NO.	DATE	DESCRIPTION	BY	CKD.
REVISIONS				
RUSSELL & AXON Consulting Engineers, Incorporated				
DAYTONA BEACH, FLA.		ST. LOUIS, MO.		
SANITARY SEWERAGE PROJECT PART A SECTION III - SEWAGE LIFT STATIONS ARCH. DETAILS - STA. #5, #1M, #12A & #27A				
MANATEE COUNTY		FLORIDA		
DESIGNED BY PBC/ROY	FILE NO. 6681-8b			
DRAWN BY J	SHEET OF 45			
CHECKED BY M/TWC	DATE DEC. 1971			

17-01

SPACE - FINISH - SCHEDULE

ROOM DESCRIPTION	FLOOR		WAINSCOT		WALLS		CEILING		REMARKS
	CONCRETE	COLOR CODE	G.C.F./S. NONE	COLOR CODE	G.C.F. PAINTED RUBBED	COLOR CODE	S.A.P. COLOR CODE	COLOR CODE	
OPERATING FLOOR		TERRA COTTA		B-306-5		B-320-5			
TOILET		TERRA COTTA		B-306-6		B-320-5			
CHLORINATOR ROOM		TERRA COTTA		B-306-5		B-320-5			
PUMP ROOM						B-301-5	WHITE		
WET WELL ENTRY						B-301-5			
WET WELL LOWER							WHITE		
CHLOR. CYLINDER STOR.							WHITE	* 379 IVORY	

CONC. - CONCRETE
 CMU PTD. - CONC. MASONRY UNIT - PAINTED
 S.A.P. - SPRAYED ACOUSTICAL PLASTER
 PLAS. PTD. - PLASTER PAINTED

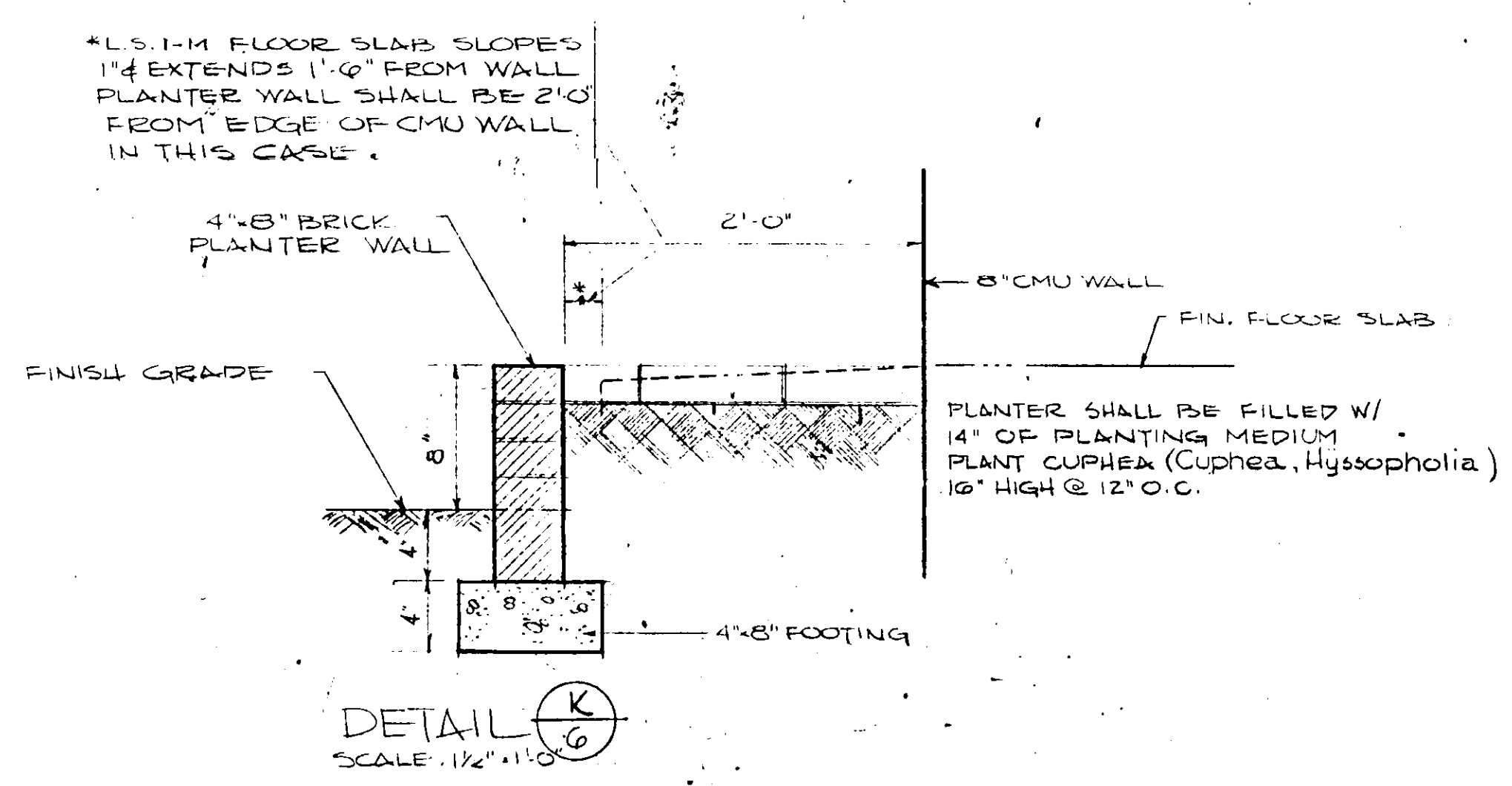
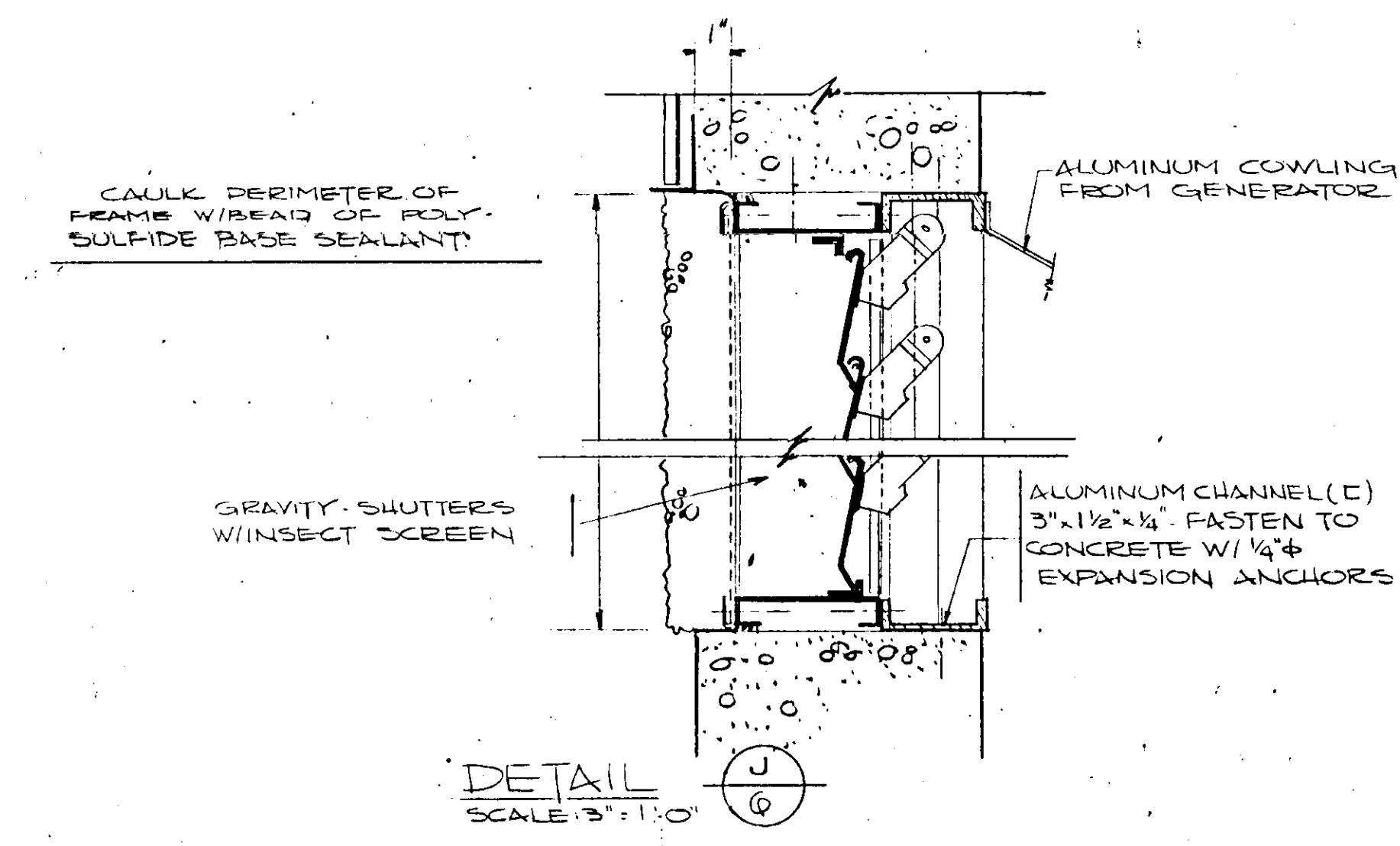
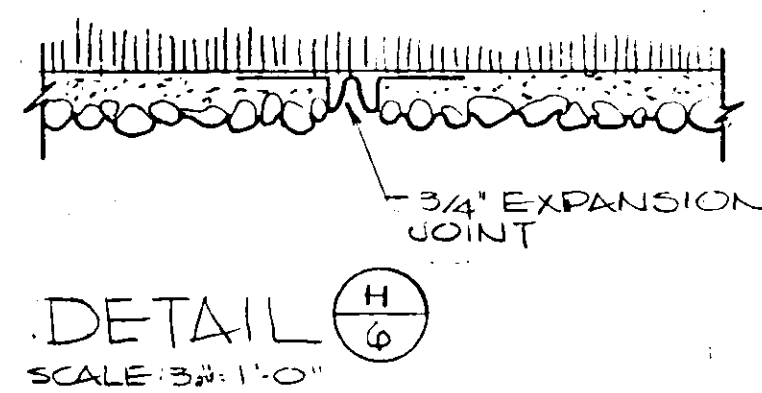
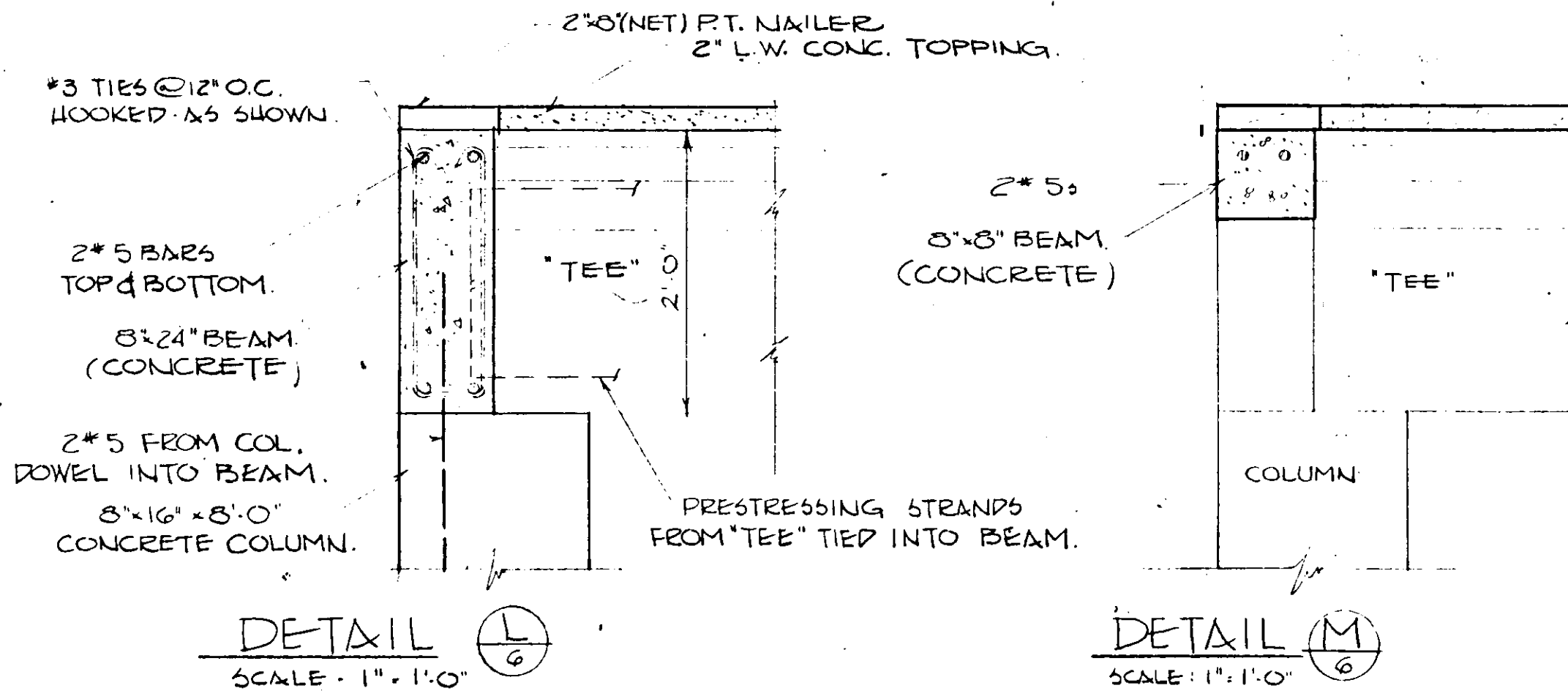
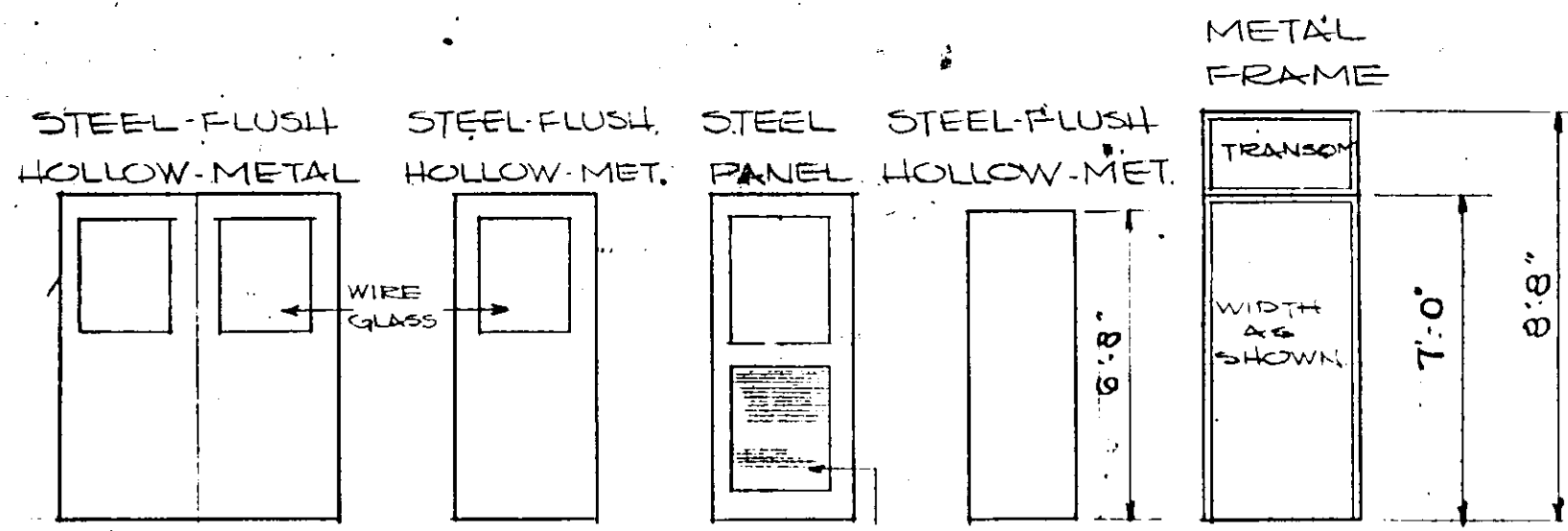
DOOR - SCHEDULE

NO.	SIZE	TYPE	MATERIAL	LITE	LOUVER	HLG	LOCK	REMARKS
1	2'3"0" x 7'0" x 1 1/8"	A	METAL	25" x 30"	-	ALUM	440	* EA. LEAF, W/ BOLTS ON INACT. LEAF, OVERLAPPING ASTRAGAL
2	3'0" x 7'0" x 1 1/8"	B	METAL	25" x 30"	-	ALUM	440	CLOSER # 3541
3	3'0" x 7'0" x 1 1/8"	C	METAL	25" x 30"	-	ALUM	440	
4	2'4" x 6'8" x 1 1/8"	D	METAL	-	18" x 12"	-	42G	

ALL DOORS & FRAMES SHALL BE PAINTED #307 - MED. GRAY

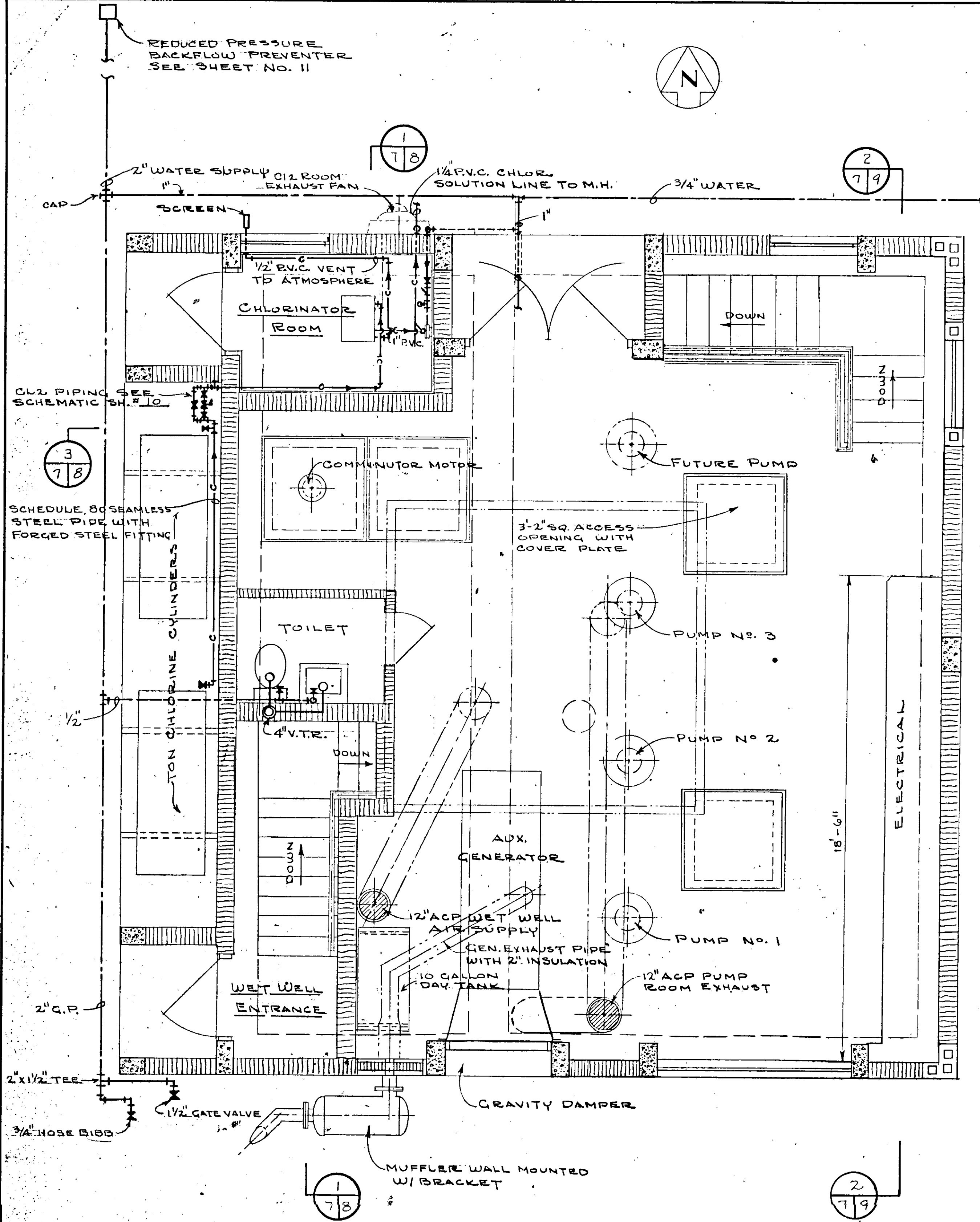
EXTERIOR COLORS

EXPOSED CONC. (EXCLUDING SLAB, BEAMS, COLS)
 NO. 311 WHITE
 EXPOSED CMU
 NO. 311 WHITE
 EXPOSED STUCCO
 NO. 311 WHITE
 EXPOSED AGGREGATE
 SEE SPECS. DIVISION IX

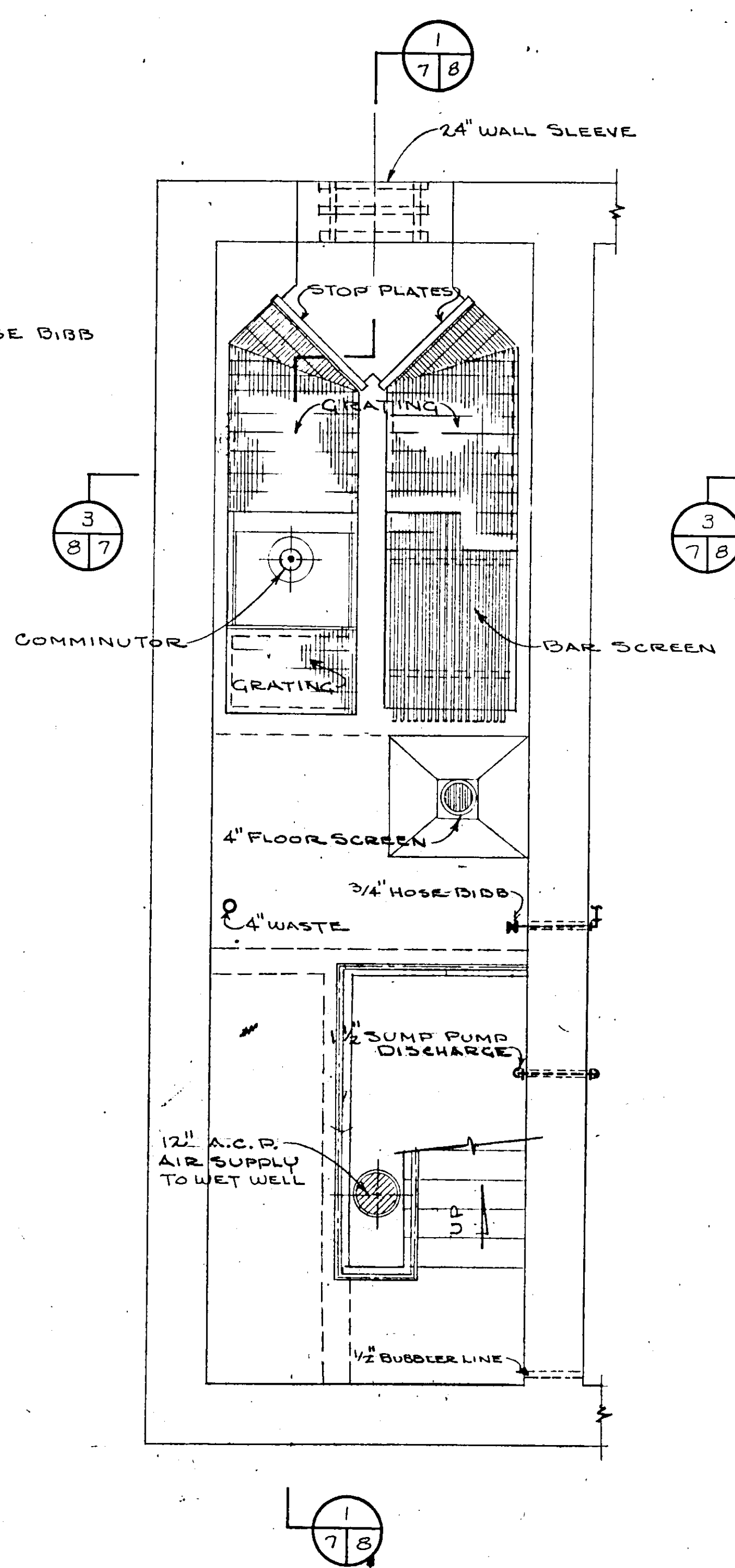


NO.	DATE	DESCRIPTION	BY	CHKD.
REVISIONS				
RUSSELL & AXON Consulting Engineers, Incorporated DAYTONA BEACH, FLA. ST. LOUIS, MO.				
SANITARY SEWERAGE PROJECT PART A SECTION III - SEWERAGE LIFT STATIONS T-6 ARCH. - DETAILS & SCHEDULES - STA. #5, #1M, #12A & #27A MANATEE COUNTY FLORIDA				
DESIGNED BY	FILE NO.	SEAL No. 9527 STATE OF FLORIDA		
PBC/ROV	6681-8b			
DRAWN BY	SHEET	No. 6 SHEETS		
J	OF 45			
CHECKED BY	DATE	SCALE: AS SHOWN		
MJWC	DEC. 1971			

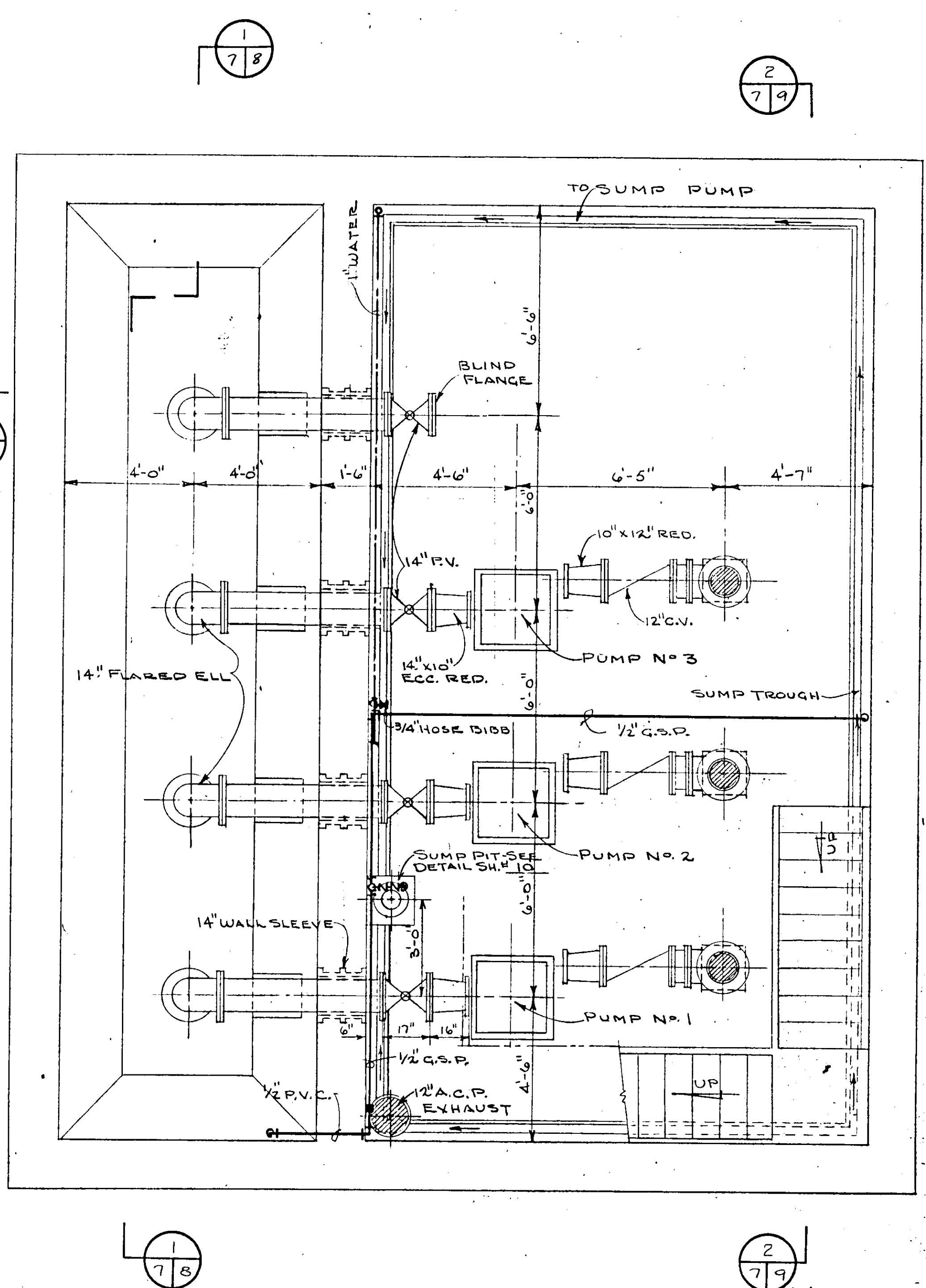
17-01



PLAN - OPERATING FLOOR

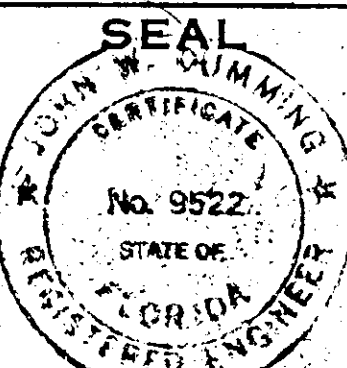


PLAN - WET WELL INTERMEDIATE LEVEL

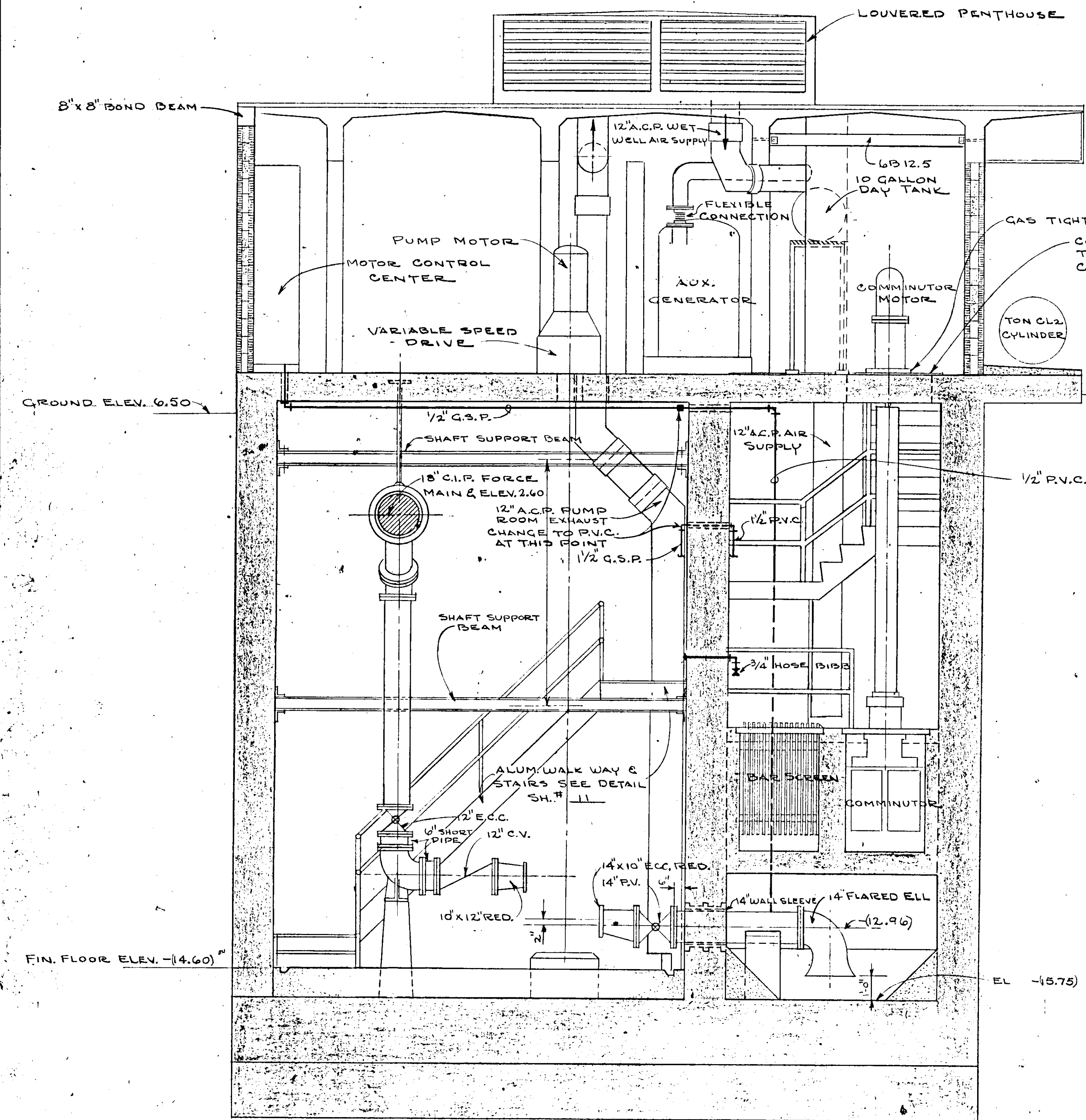


PLAN - PUMP ROOM & WET WELL

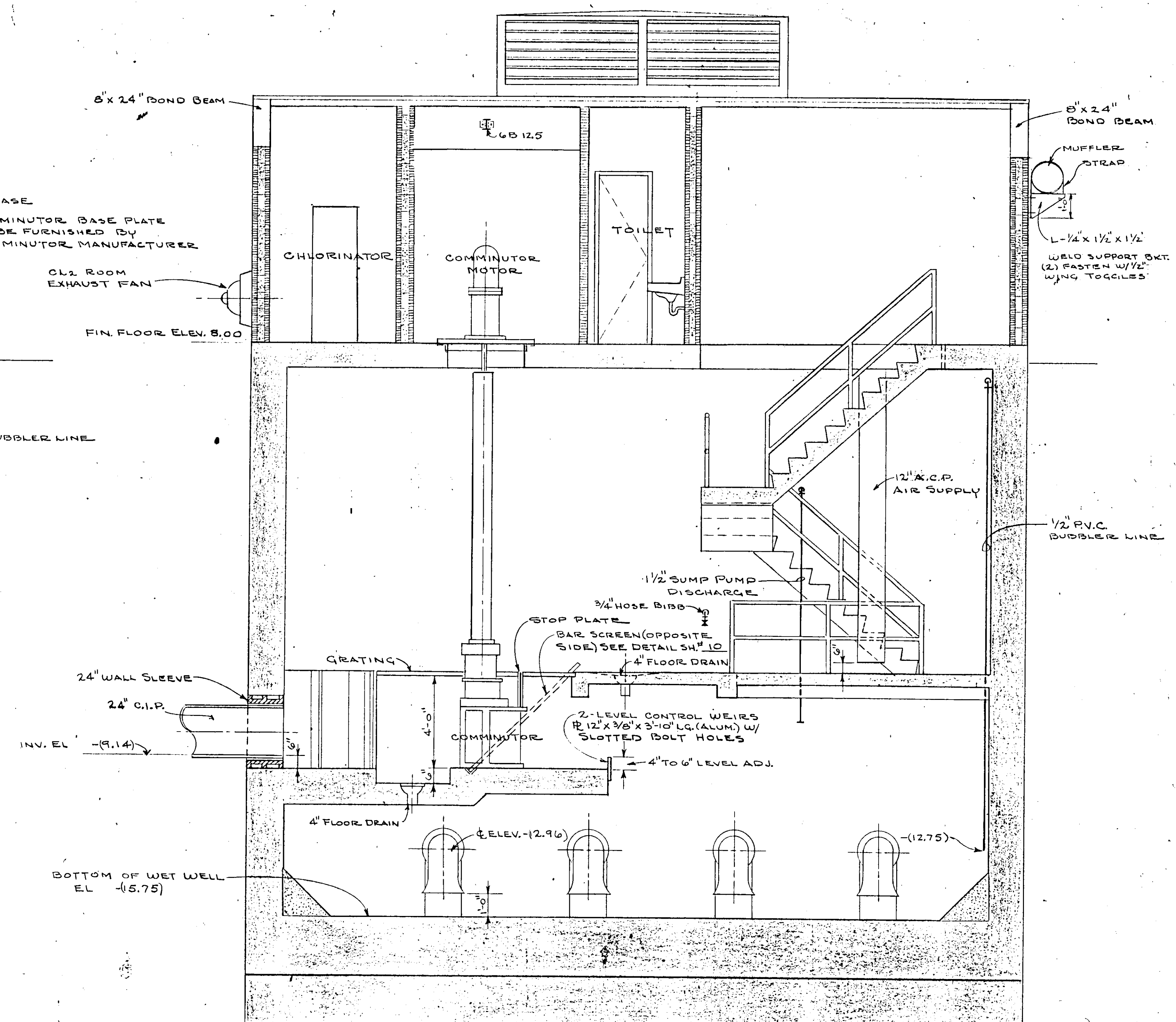
NO.	DATE	DESCRIPTION	BY	CHKD.
REVISIONS				
RUSSELL & AXON Consulting Engineers, Incorporated DAYTONA BEACH, FLA. St. LOUIS, MO.				
SANITARY SEWERAGE PROJECT PART A SECTION III - SEWAGE LIFT STATIONS STA. #5 MECH - FLOOR PLAN MANATEE COUNTY FLORIDA				
DESIGNED BY	FILE NO.			
RB.C.	6681-8b			
DRAWN BY	SHEET			
RLJ	7			
CHECKED BY	NO. OF SHEETS			
M. JUC	45			
DATE	SCALE			
DEC. 1971	3/8" = 1'-0"			



17-01



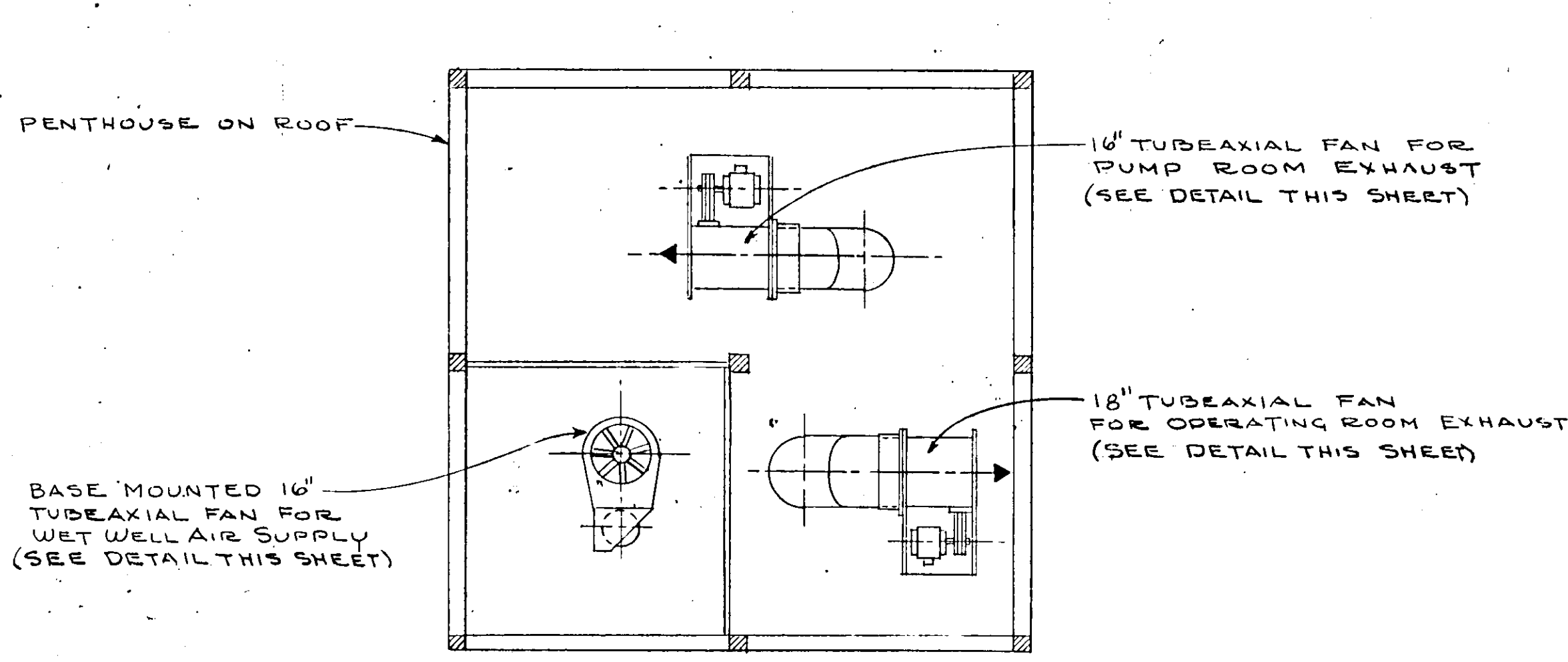
SECTION 3
78



SECTION 1
87

NO.	DATE	DESCRIPTION	BY	CKD.
REVISIONS				
RUSSELL & AXON Consulting Engineers, Incorporated DAYTONA BEACH, FLA. ST. LOUIS, MO.				
SANITARY SEWERAGE PROJECT PART A SECTION III - SEWAGE LIFT STATIONS STA. #5 - MECH. - SECTIONS				
MANATEE COUNTY		FLORIDA		
DESIGNED BY PBC	FILE NO. 6681-8b	<div style="border: 1px solid black; border-radius: 50%; width: 40px; height: 40px; display: flex; align-items: center; justify-content: center; margin: 0 auto;"> 8 </div> SEAL W. G. GUMMING No. 9302 STATE OF FLORIDA REGISTERED PROFESSIONAL ENGINEER		
DRAWN BY R.L.J.	SHEET OF 45			
CHECKED BY M.T.W.C.	DATE DEC. 1971			
SCALE: 3/8" = 1'-0"				

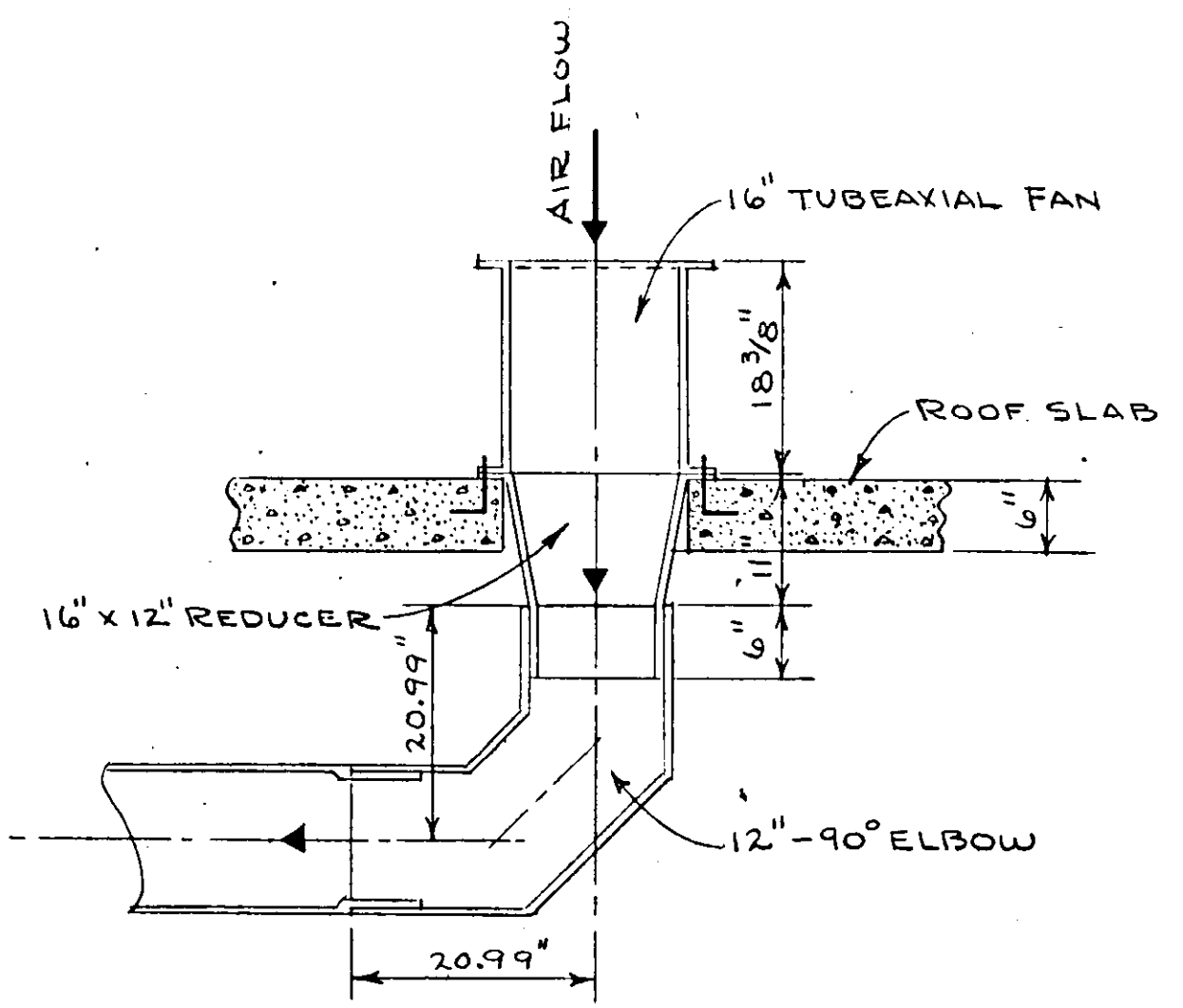
17-01



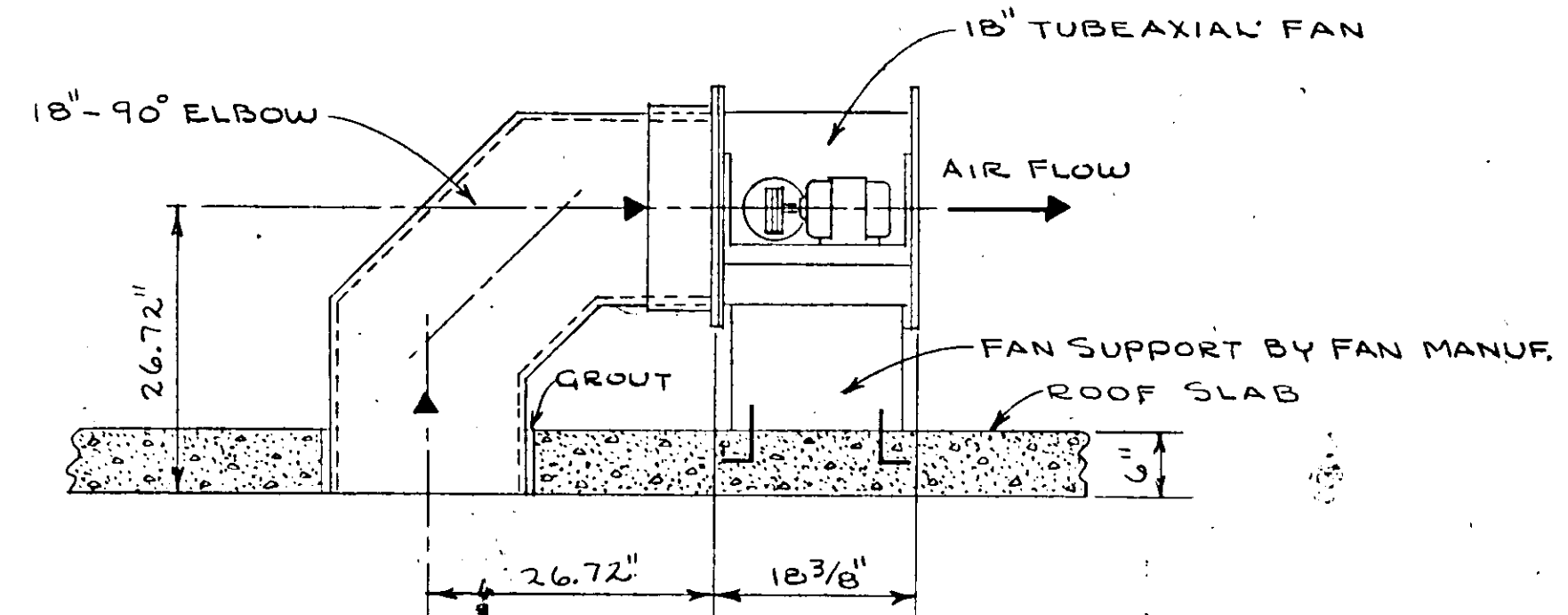
SECTION 4
SCALE 3/8" = 1'-0"

PUMPS SEQUENCE: INITIALLY, STAGE 2 VARIABLE SPEED PUMPS 1 SPARE CONSTANT SPEED

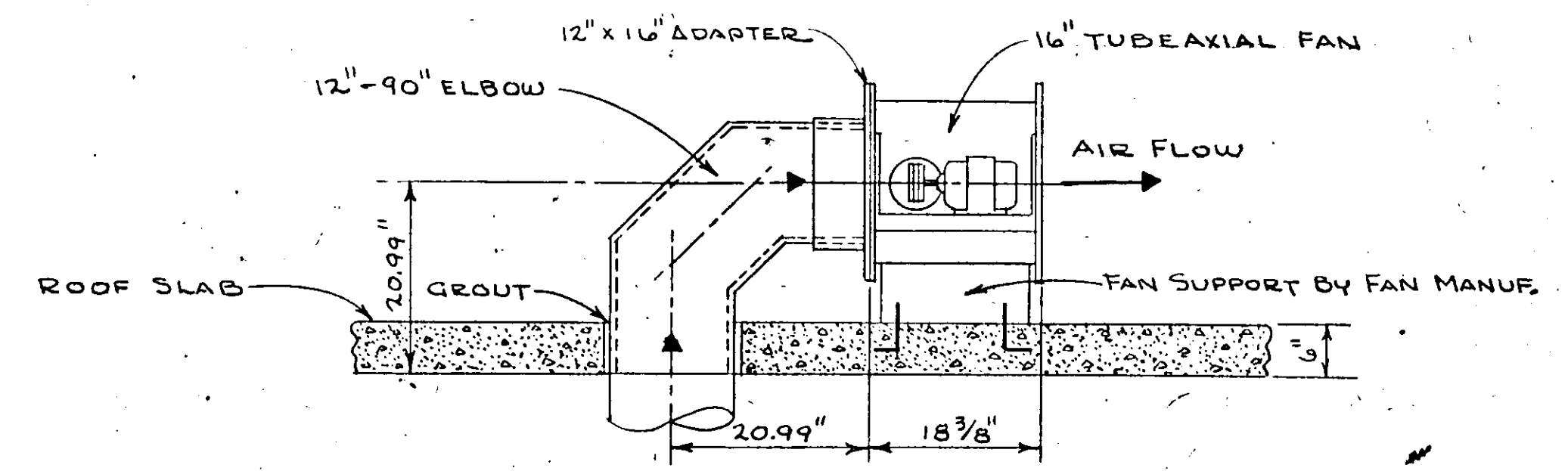
FUNCTION	ELEV. ON RISING LEVEL (READ UP)	ELEV. ON FALLING LEVEL (READ DOWN)	FUNCTION FALLING LEVEL
HIGH LEVEL ALARM	-(6.50)	↓	
PUMPS NO 1, 2, & 3 RUN AT FULL SPEED	-(7.50) TO -(6.50)		
NORMAL H.W. LEVEL START PUMP NO 3 PUMP NO 1 & 2 RUN AT FULL SPEED	H.W. -(7.50)	-(7.50) TO -(9.00)	ALL PUMPS ON TO RUN AT FULL SPEED
INCREASE PUMPS NO 1 & 2 TO MAXIMUM SPEED	-(9.00) TO -(8.25)		
START PUMP 2 (VARIABLE 850 R.P.M. AND ADJUST PUMP NO 1 TO 850 R.P.M.)	-(9.00)	-(9.00)	STOP PUMP NO 3 PUMPS NO 1 & 2 TO RUN AT FULL SPEED
INCREASE PUMP NO 1 TO MAXIMUM SPEED	-(9.75) TO -(9.00)	-(9.00) TO -(9.75)	DECREASE PUMPS NO 1 & 2 SPEED TO 850 R.P.M.
START PUMP NO 1 (VARIABLE)	-(9.75)	-(9.75)	STOP PUMP NO 2 NO 1 RUNS AT FULL SPEED
		-(9.75) TO -(11.75)	DECREASE PUMP NO 1 TO MIN. SPEED
NORMAL LOW WATER LEVEL	-(11.75)	-(11.75)	STOP PUMP NO 1
NOTE: MAX. R.P.M. 1150 MIN. R.P.M. 500	↑	-(12.25)	LOW LEVEL ALARM



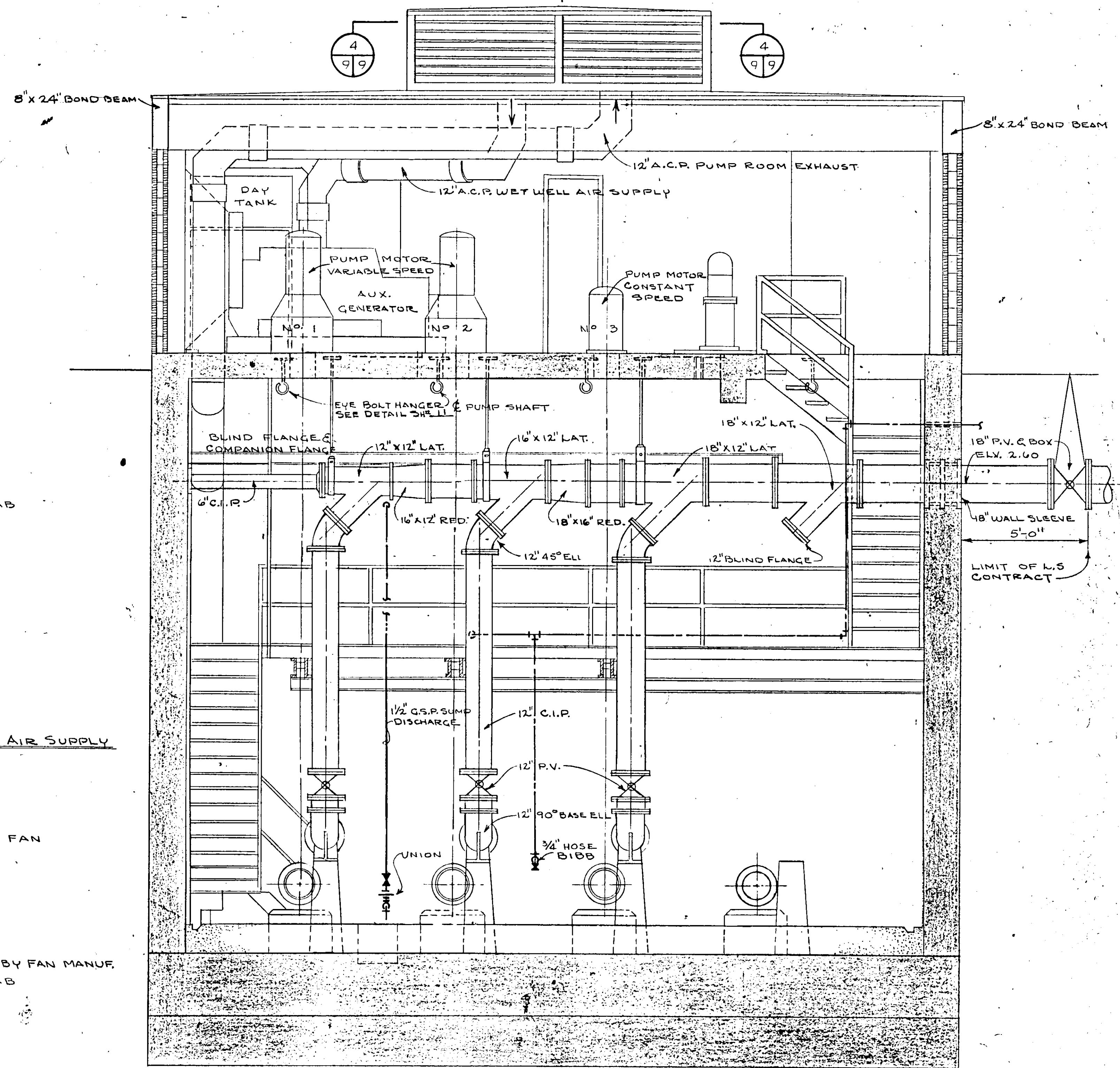
DETAIL FOR TUBEAXIAL FAN FOR WET WELL AIR SUPPLY
SCALE 3/4" = 1'-0"



DETAIL - TUBEAXIAL FAN FOR OPERATING ROOM EXHAUST
SCALE 3/4" = 1'-0"



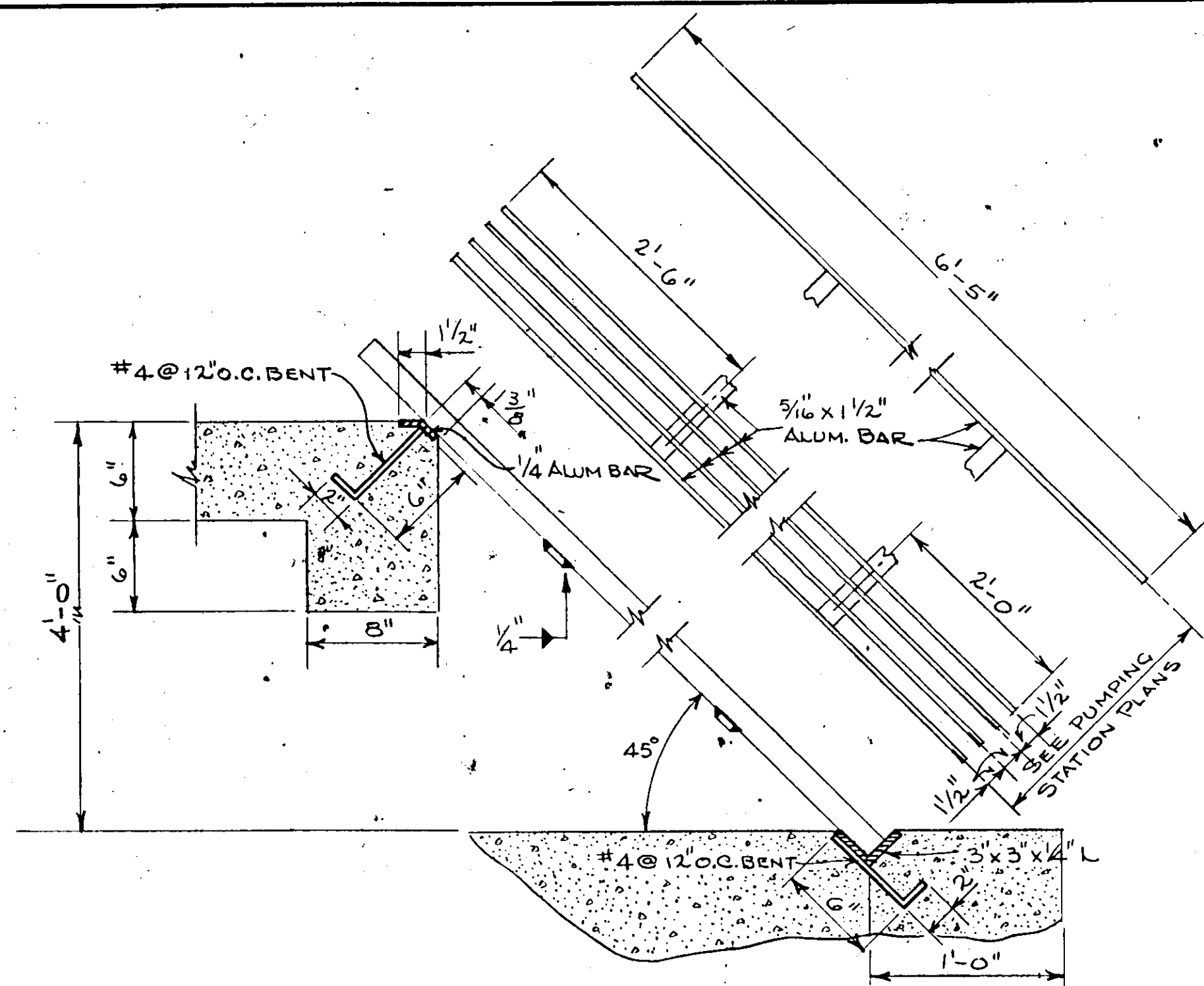
DETAIL - TUBEAXIAL FAN FOR PUMP ROOM EXHAUST
SCALE 3/4" = 1'-0"



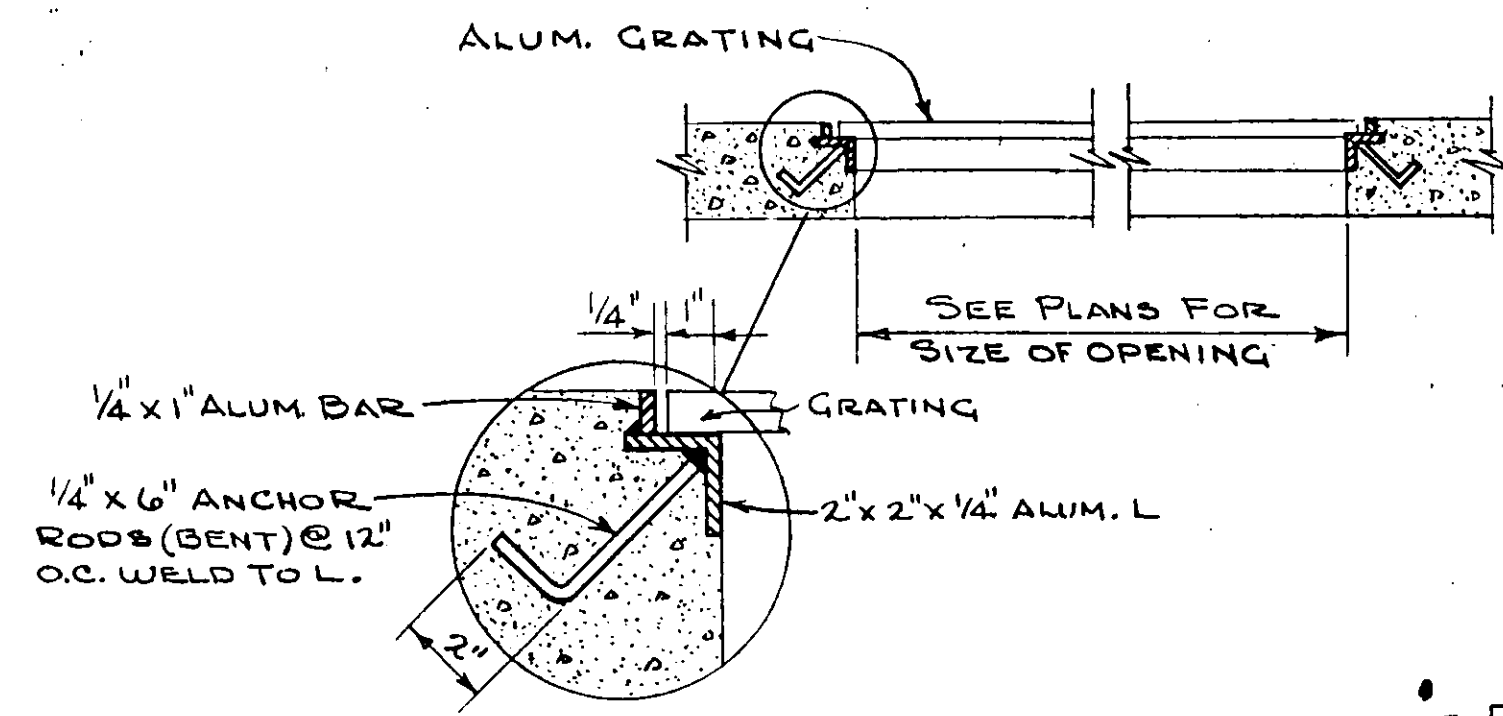
SECTION 2
SCALE 3/8" = 1'-0"

NO.	DATE	DESCRIPTION	BY	CKD.
REVISIONS				
RUSSELL & AXON Consulting Engineers, Incorporated				
DAYTONA BEACH, FLA.		ST. LOUIS, MO.		
SANITARY SEWERAGE PROJECT				
PART A				
SECTION III - SEWAGE LIFT STATIONS				
STA. #5 MECH. - SECTIONS T-9				
MANATEE COUNTY FLORIDA				
DESIGNED BY P.B.C.	FILE NO. 6681-8b			
DRAWN BY R.L.J.	SHEET No. 9			
CHECKED BY J.W.C.	OF 45 SHEETS			
DATE DEC. 1971	SCALE: 3/8" = 1'-0"			

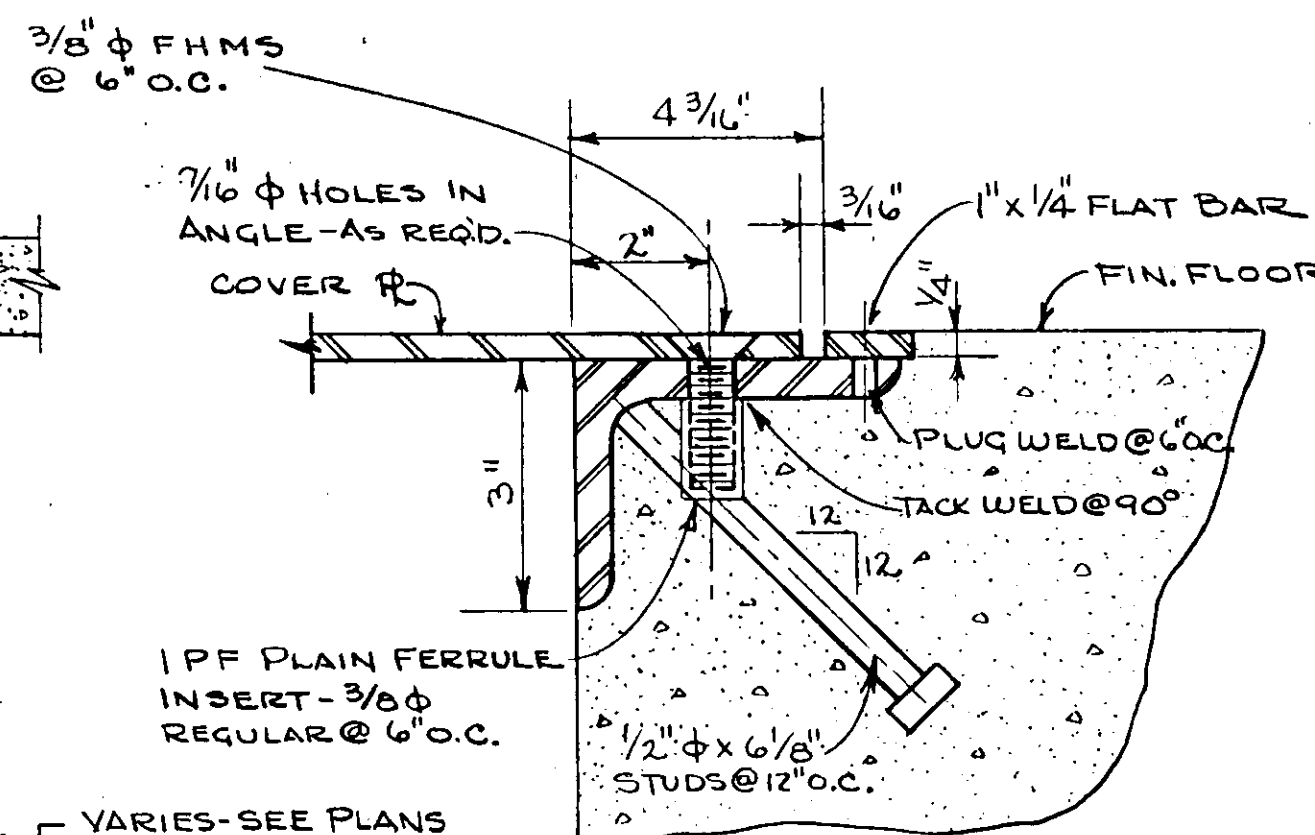
17-01



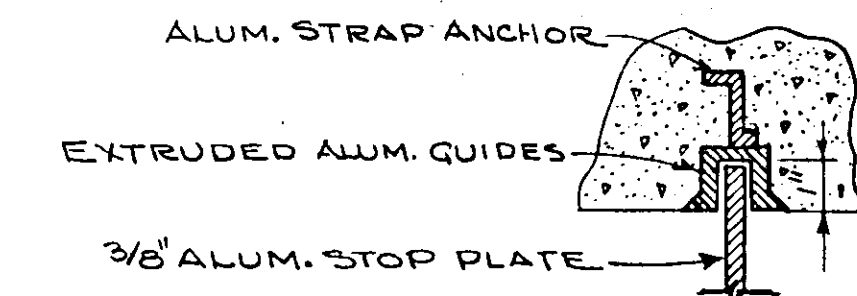
BAR SCREEN-DETAIL
SCALE: 1/2" = 1'-0"



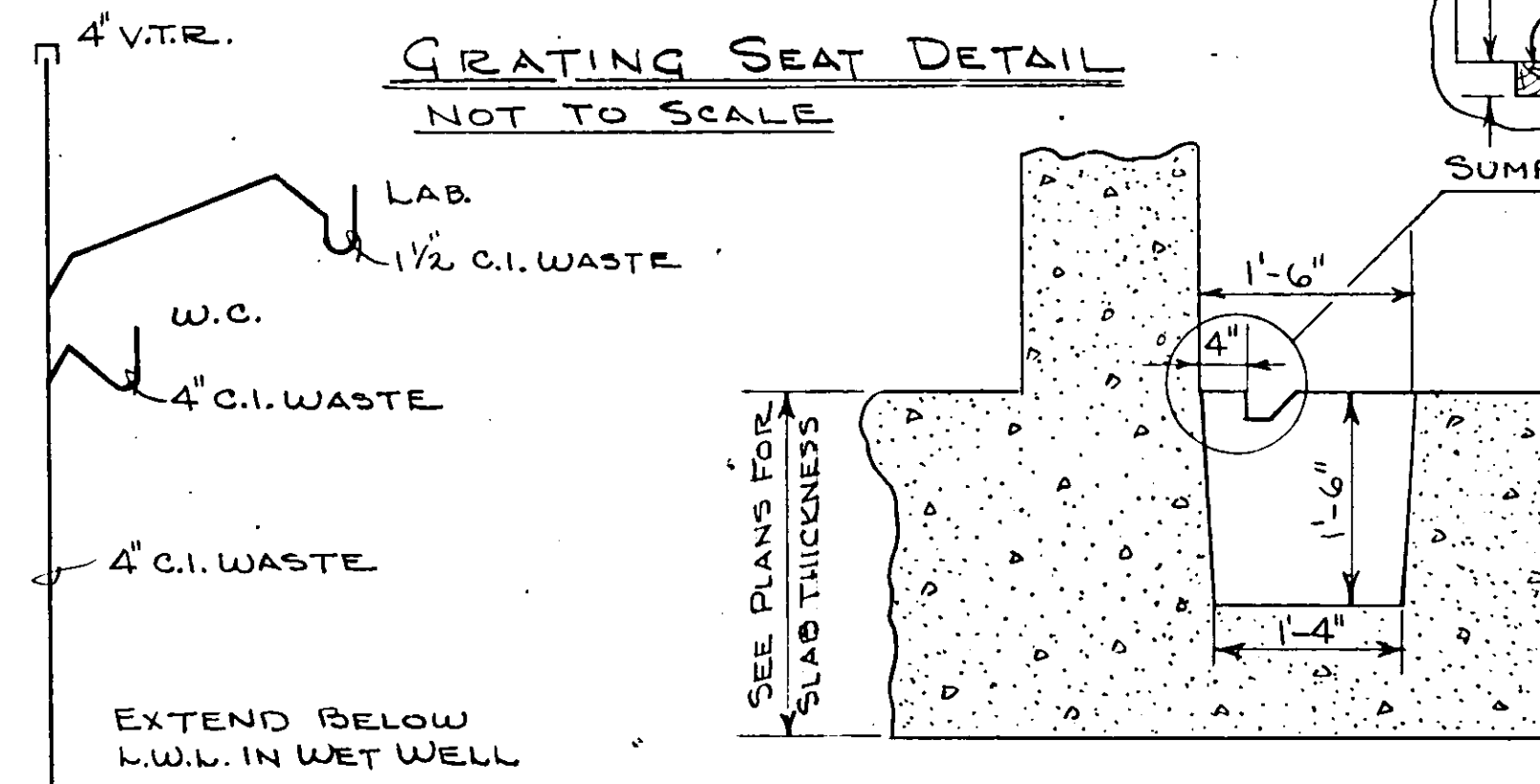
GRATING SEAT DETAIL
NOT TO SCALE



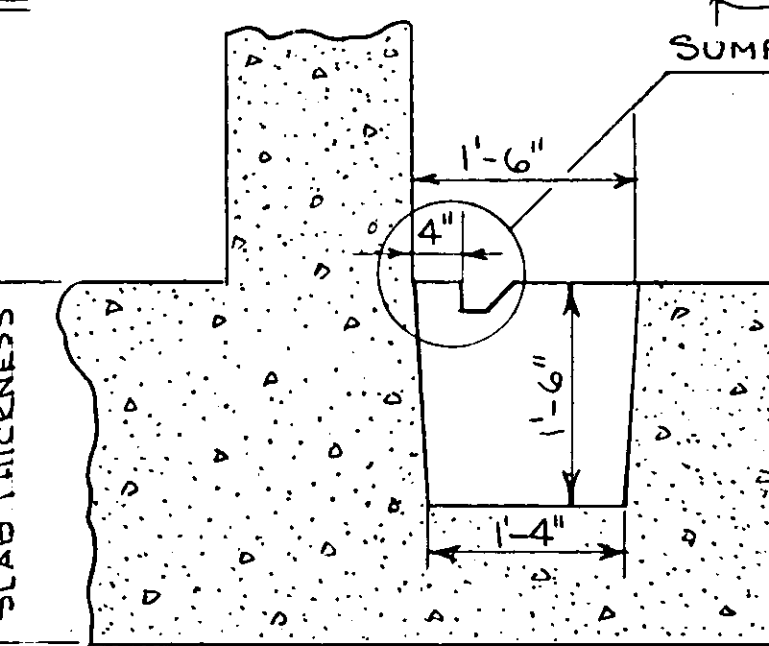
HATCH COVER & FRAME DETAIL
NOT TO SCALE



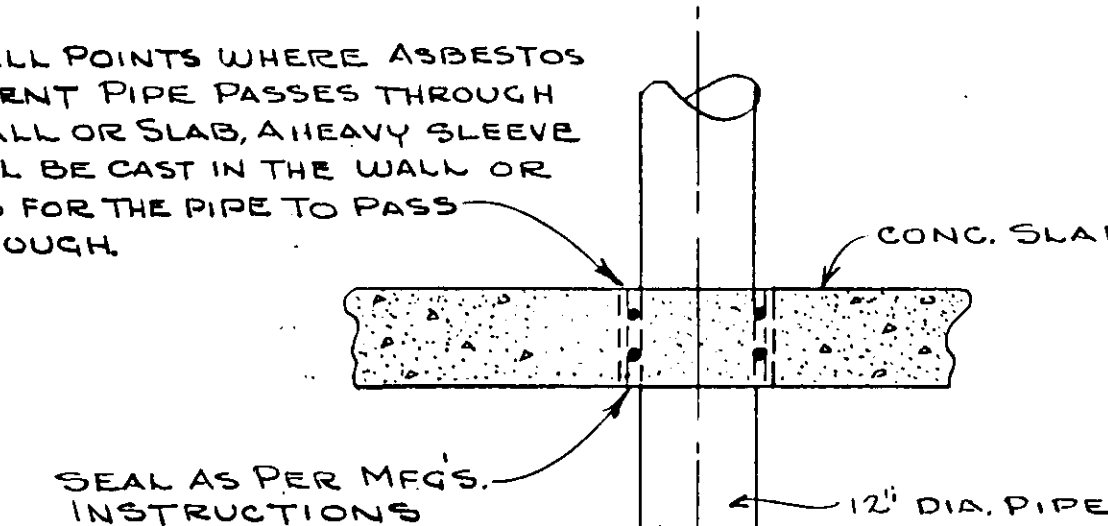
STOP PLATE GUIDE-DETAIL
NOT TO SCALE



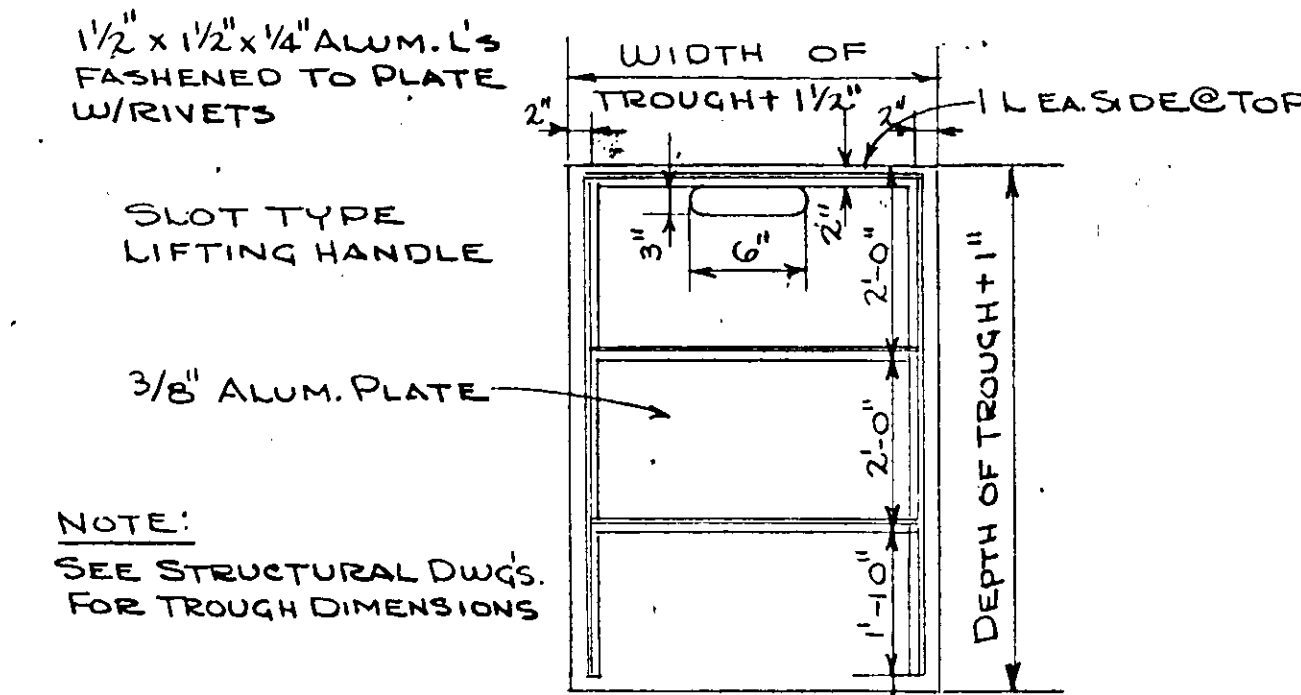
WASTE PIPING SCHEMATIC
NOT TO SCALE



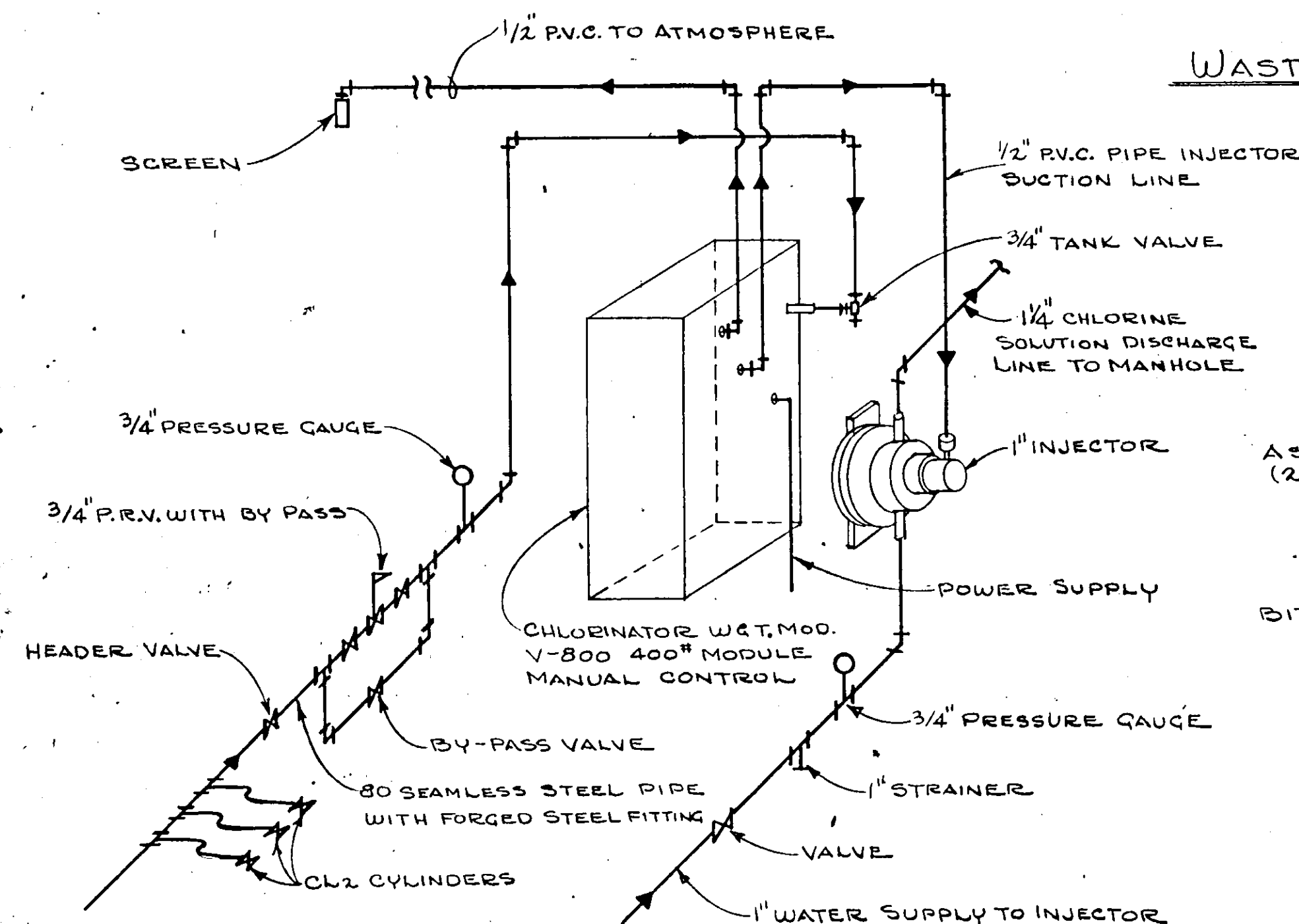
SUMP PIT DETAIL
SCALE: 3/4" = 1'-0"



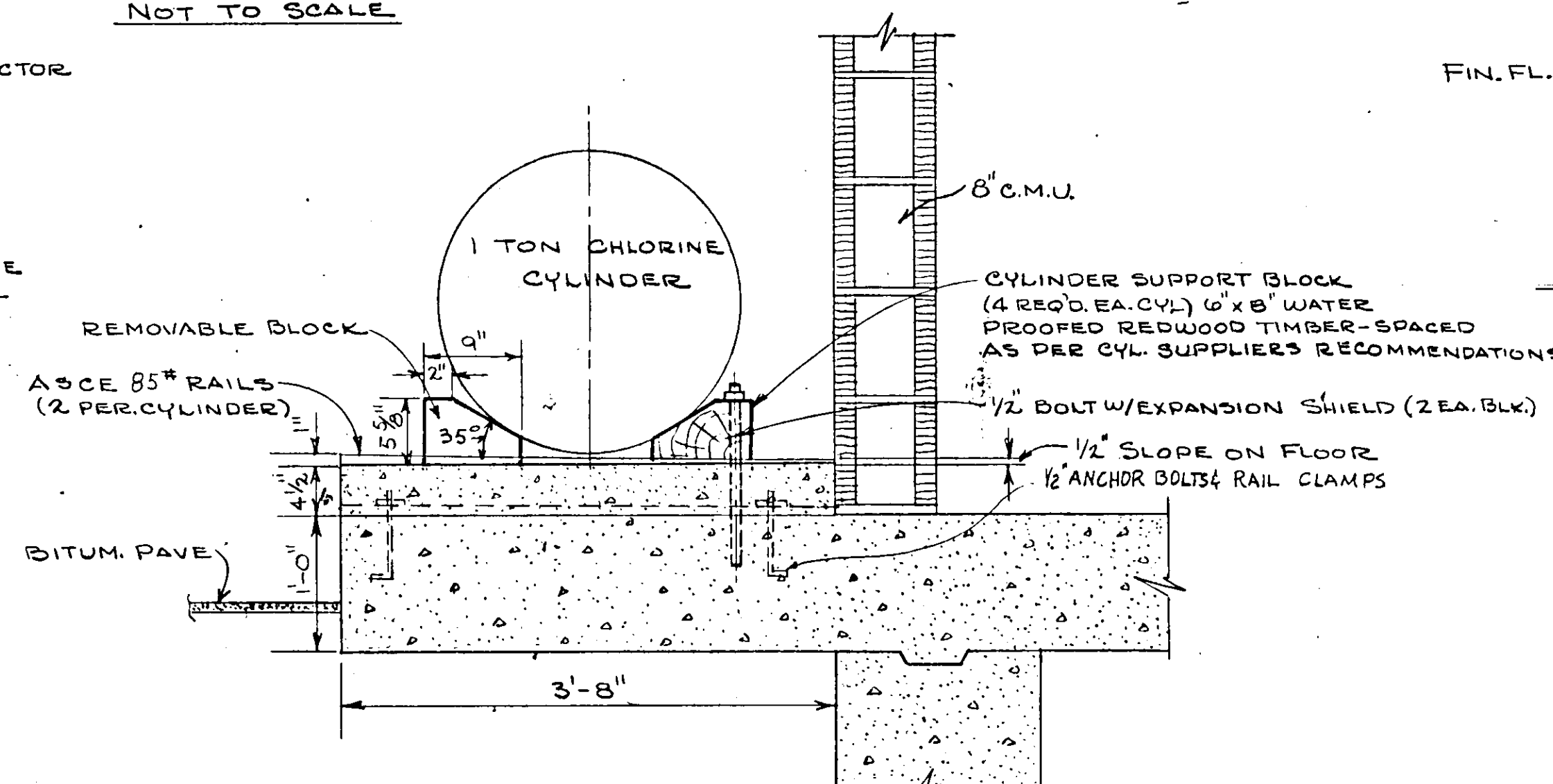
VENTILATION PIPE DETAIL
SCALE: 1/2" = 1'-0"



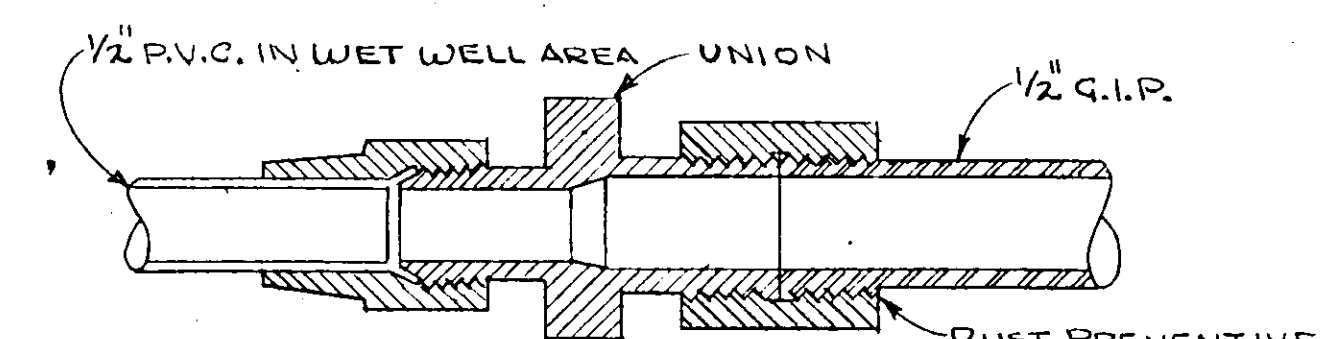
STOP PLATE DETAIL
NOT TO SCALE



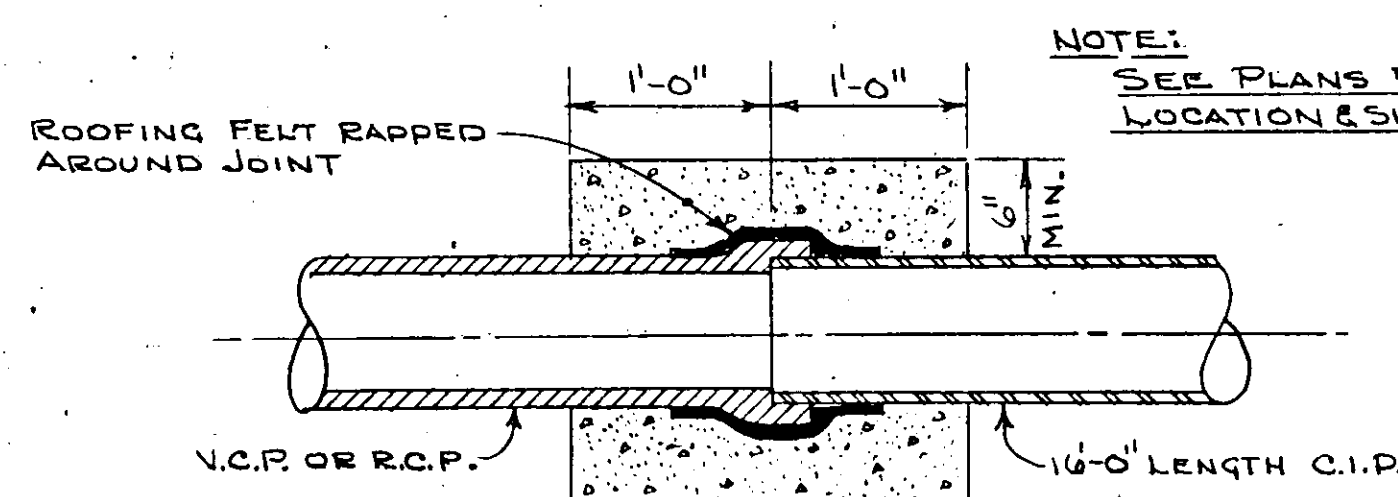
CHLORINATOR INSTALLATION SCHEMATIC
NOT TO SCALE



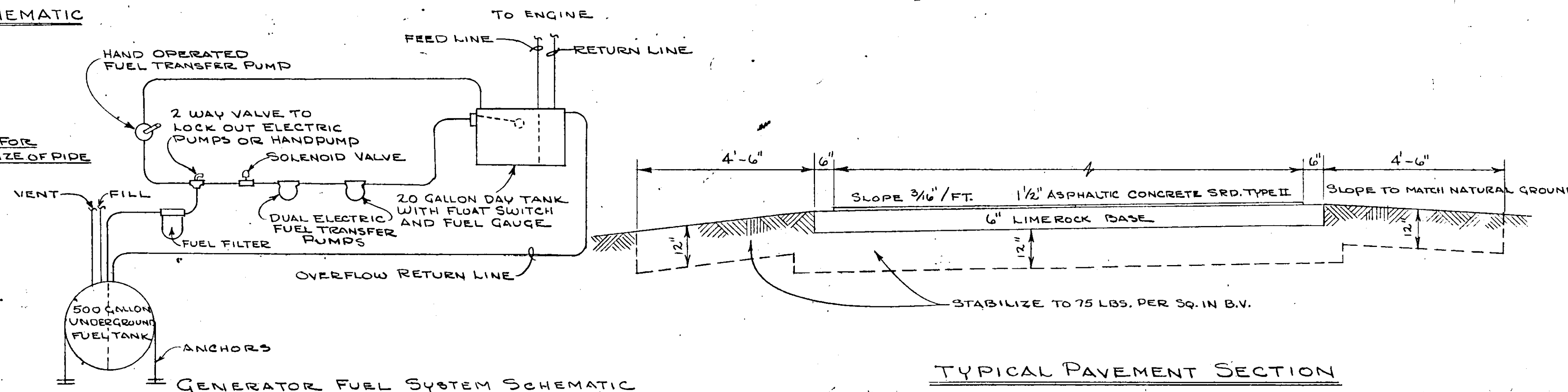
CHLORINE CYLINDER PLATFORM-DETAIL
SCALE: 1" = 1'-0"



AIR TIGHT CONNECTION FOR BUBBLER LINE
NOT TO SCALE

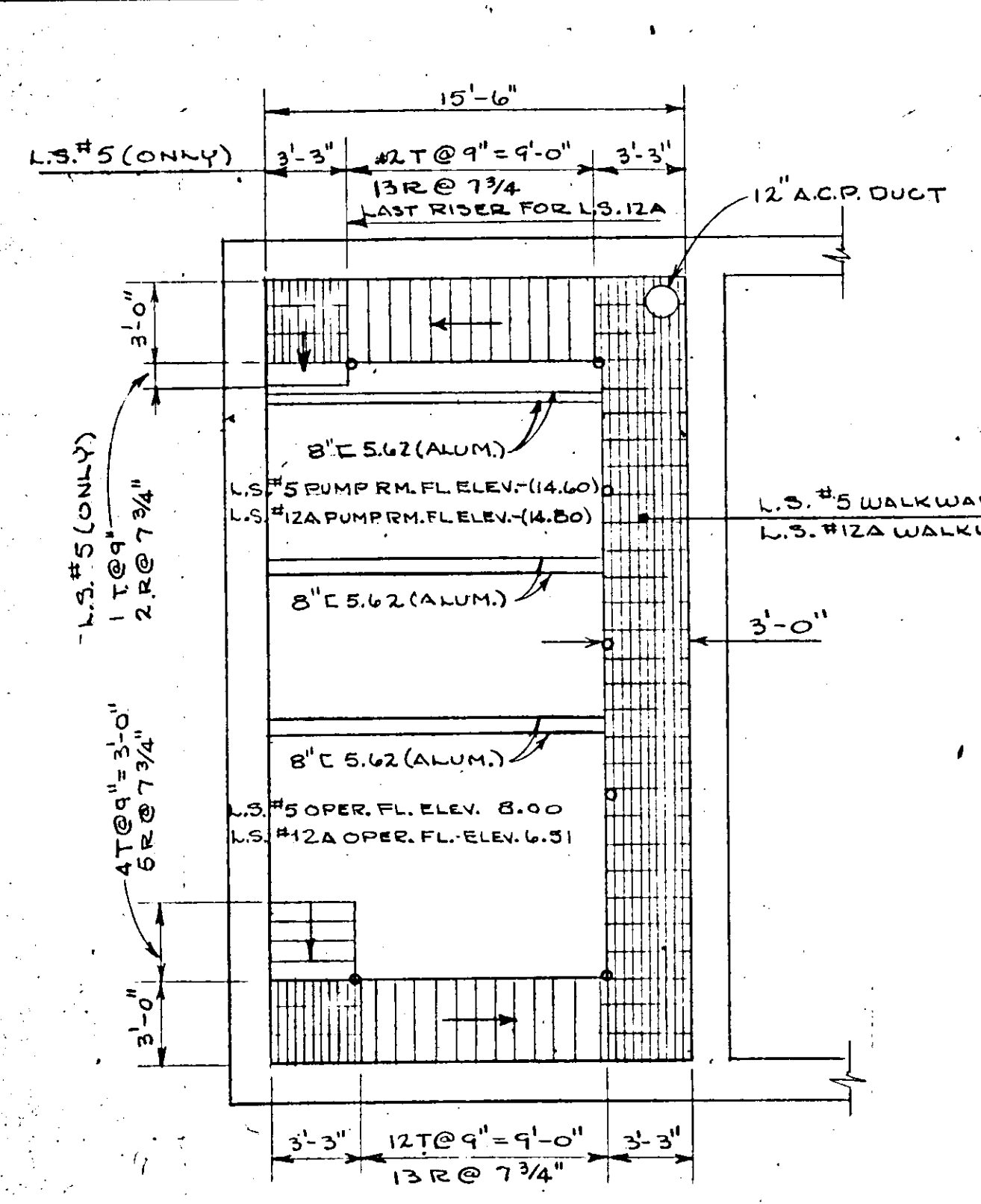


CONCRETE TRANSITION JOINT

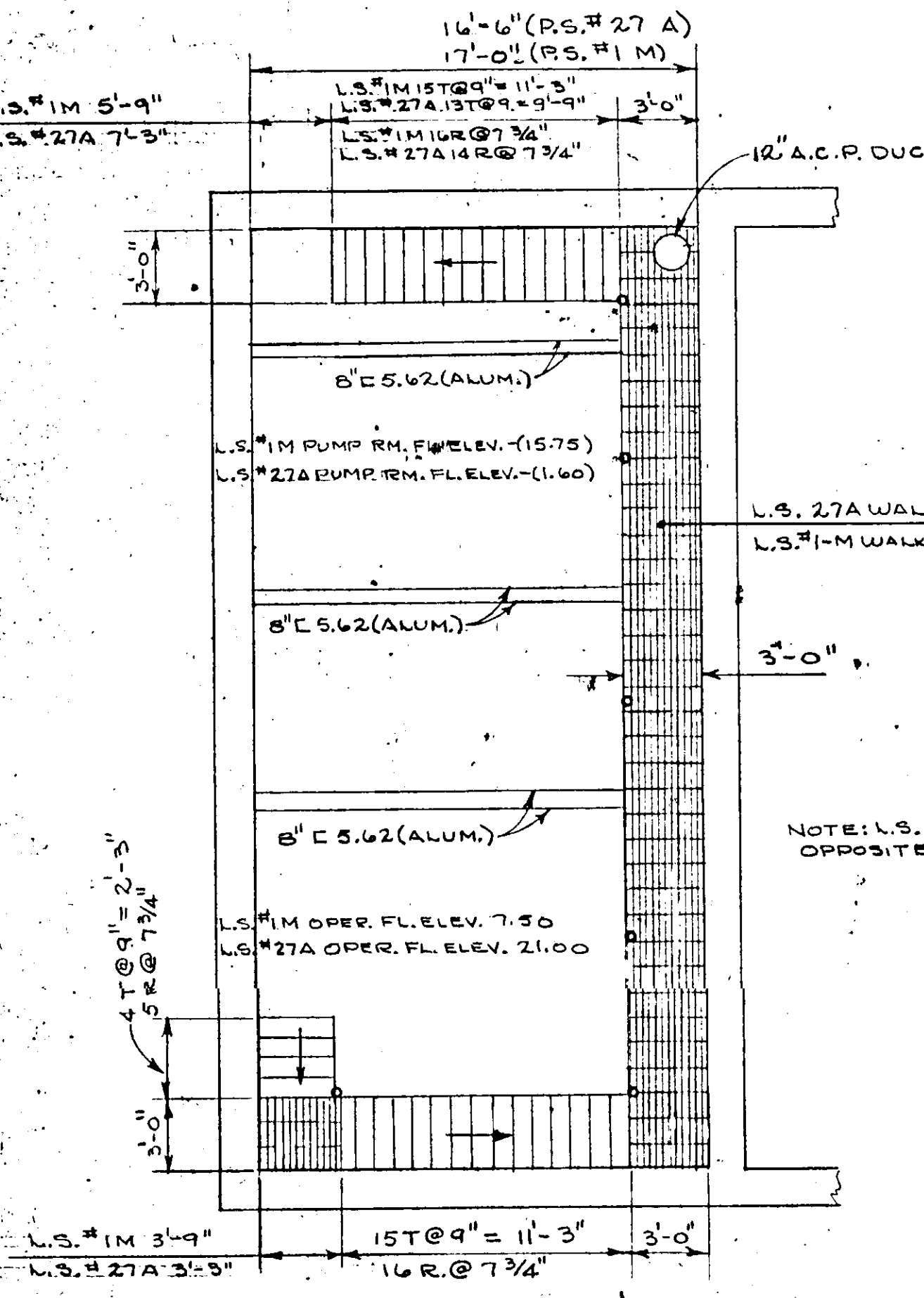


TYPICAL PAVEMENT SECTION

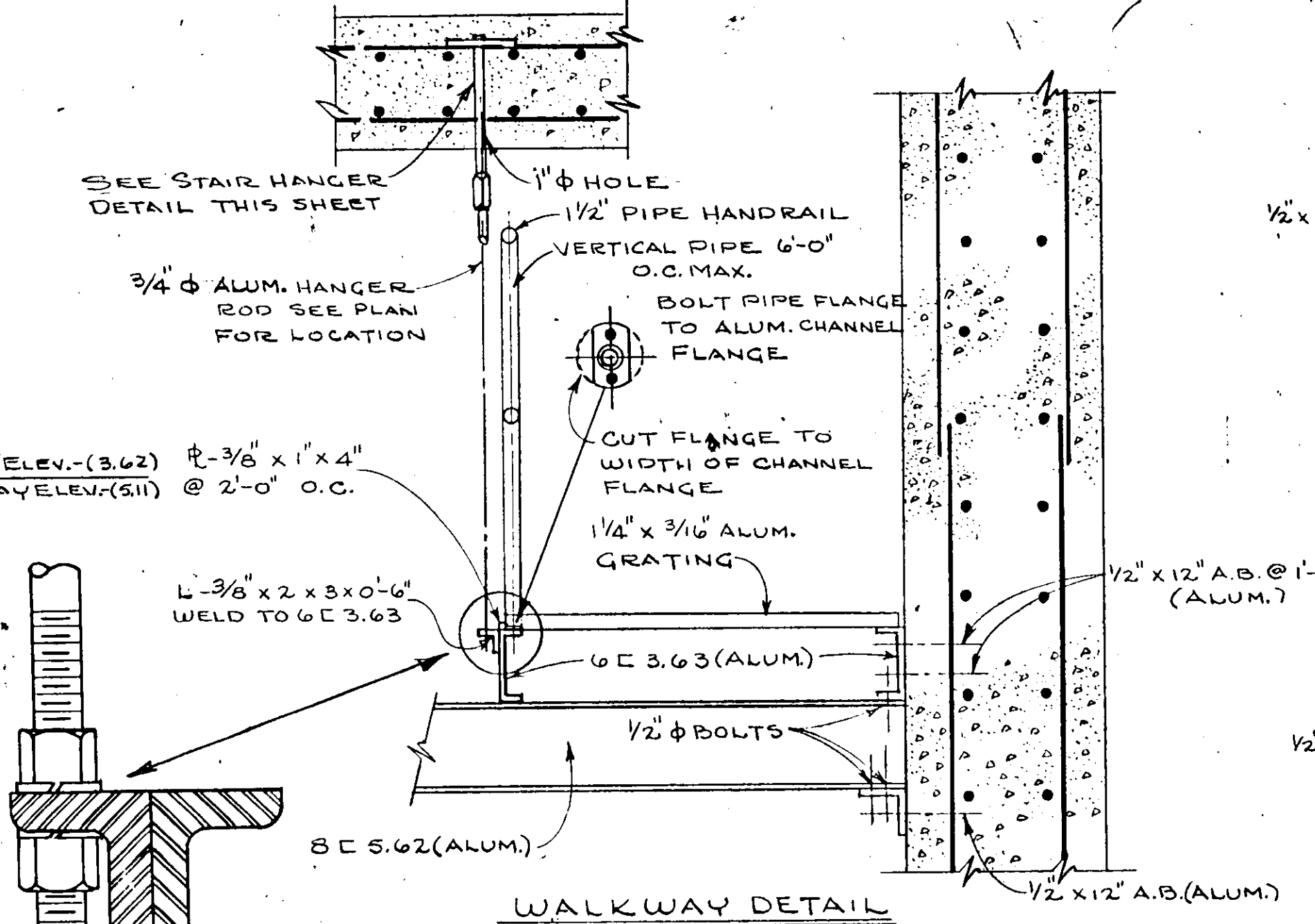
NO.	DATE	DESCRIPTION	BY	CHKD.
REVISIONS				
RUSSELL & AXON Consulting Engineers, Incorporated DAYTONA BEACH, FLA. ST. LOUIS, MO.				
SANITARY SEWERAGE PROJECT PART A SECTION III - SEWAGE LIFT STATIONS STATIONS #5, 11A & 27A - MISC.-DETAILS				
MANATEE COUNTY DESIGNED BY P.B.C.		FILE NO. 6681-8b		
DRAWN BY R.L.J.		SHEET No. 10 OF 45 SHEETS		
CHECKED BY JWC		DATE DEC. 1971		
SCALE: AS SHOWN		SEAL No. 9522 STATE OF FLORIDA REGISTERED ENGINEER		



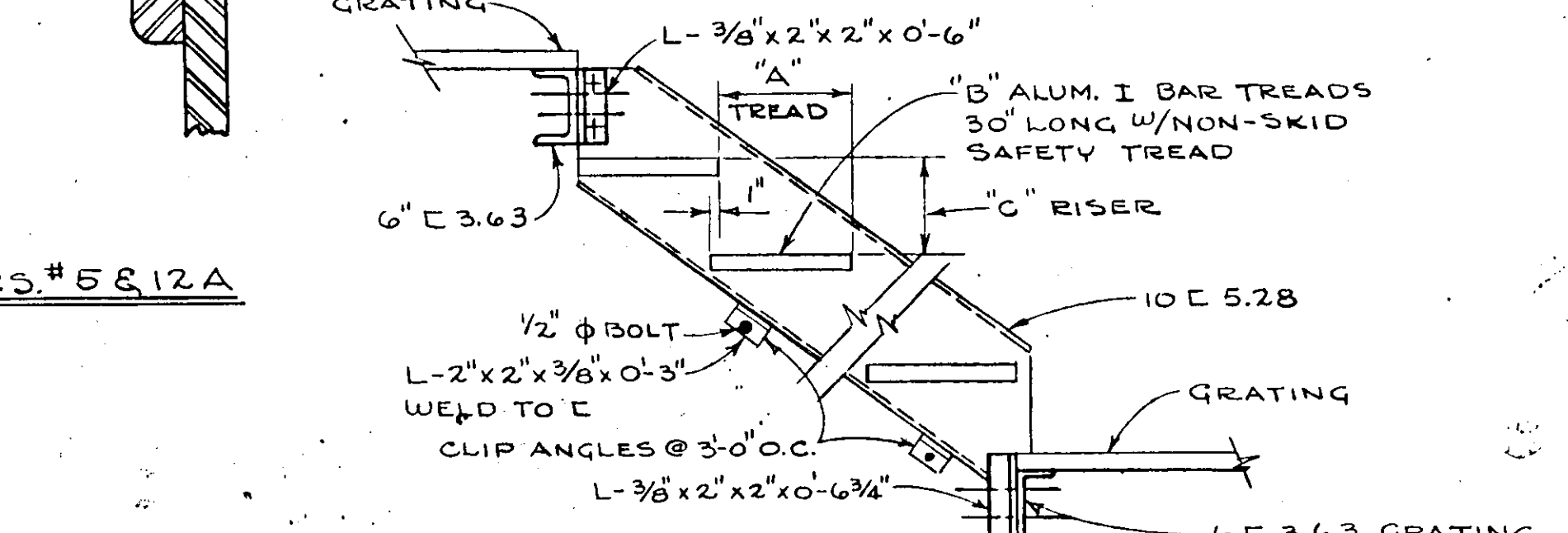
PLAN-ALUMINUM STAIRS & WALKWAY (RS.#5 & 12A)
SCALE 3/16" = 1'-0"



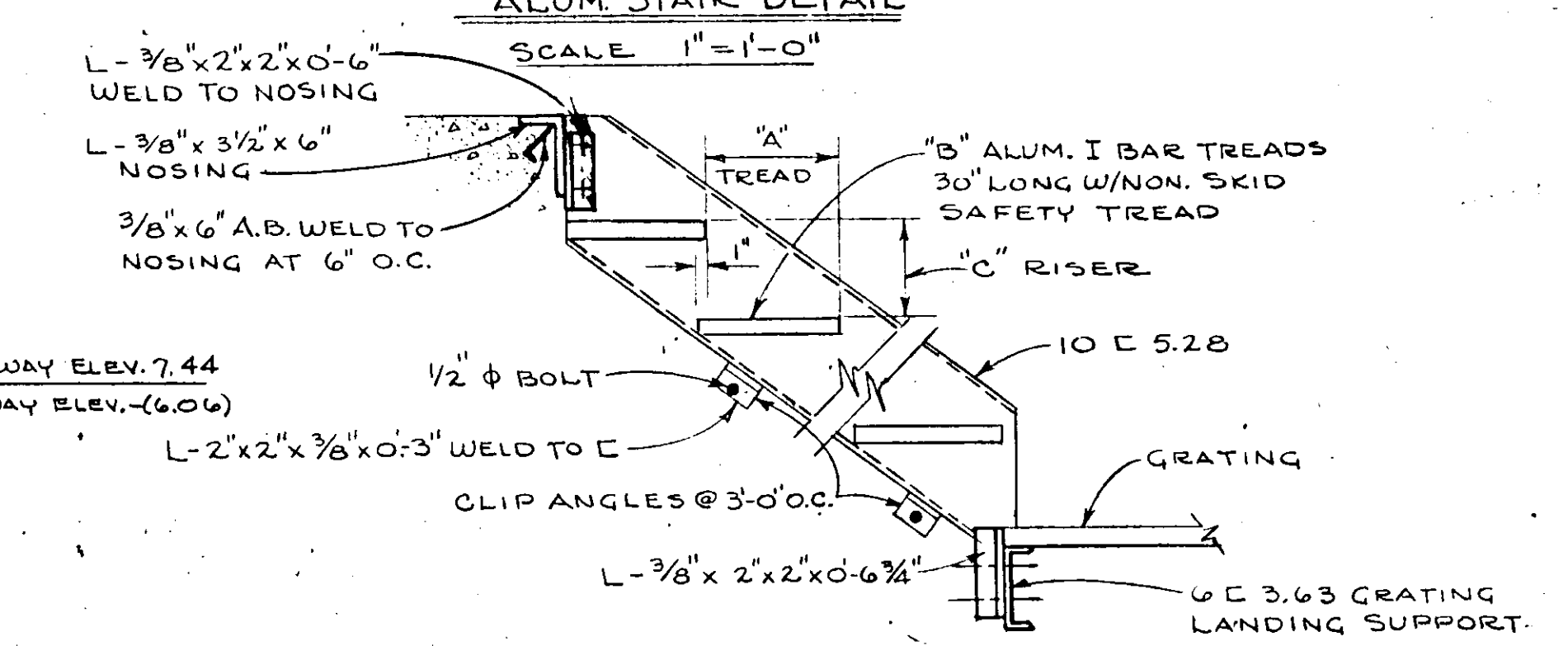
PLAN-ALUMINUM STAIRS & WALKWAY (RS.#1M & 27A)
SCALE 3/16" = 1'-0"



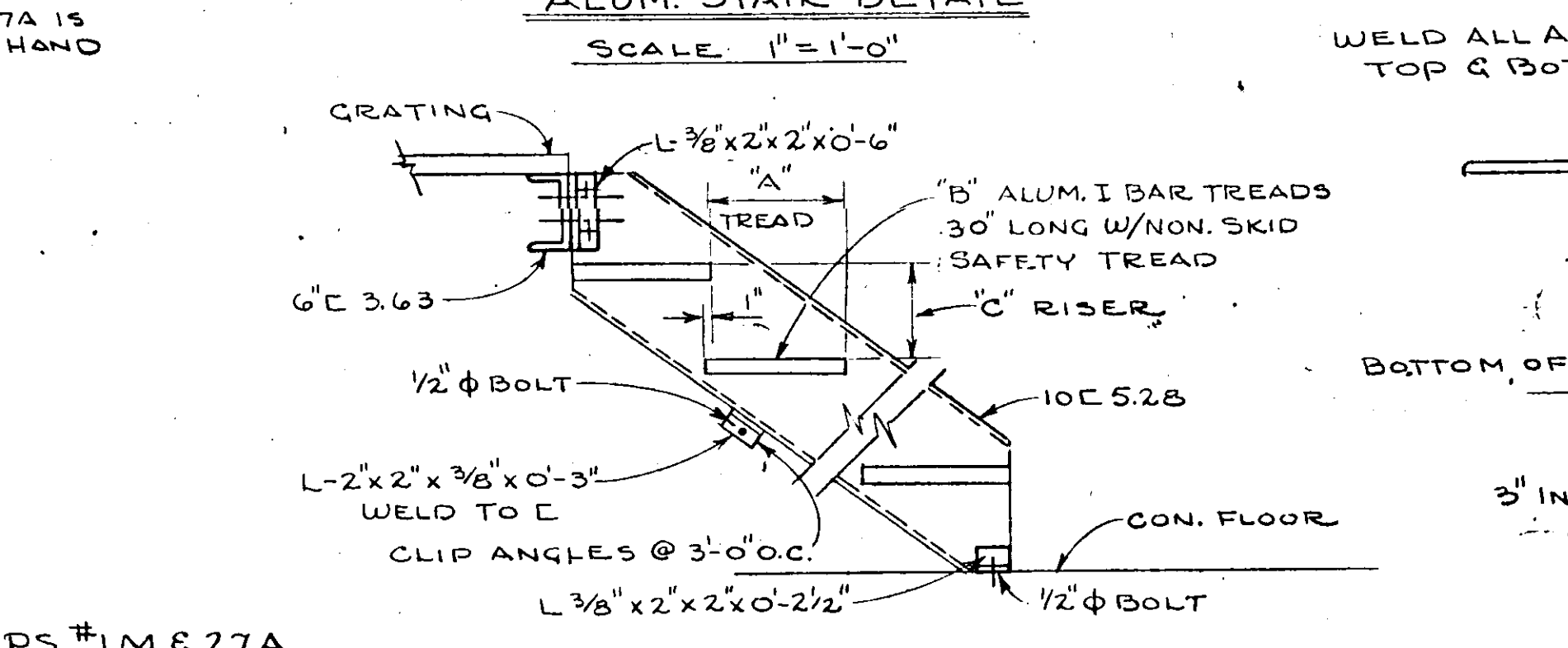
WALKWAY DETAIL
SCALE 1" = 1'-0"



ALUM. GRATING TO ALUM. GRATING
ALUM. STAIR DETAIL
SCALE 1" = 1'-0"



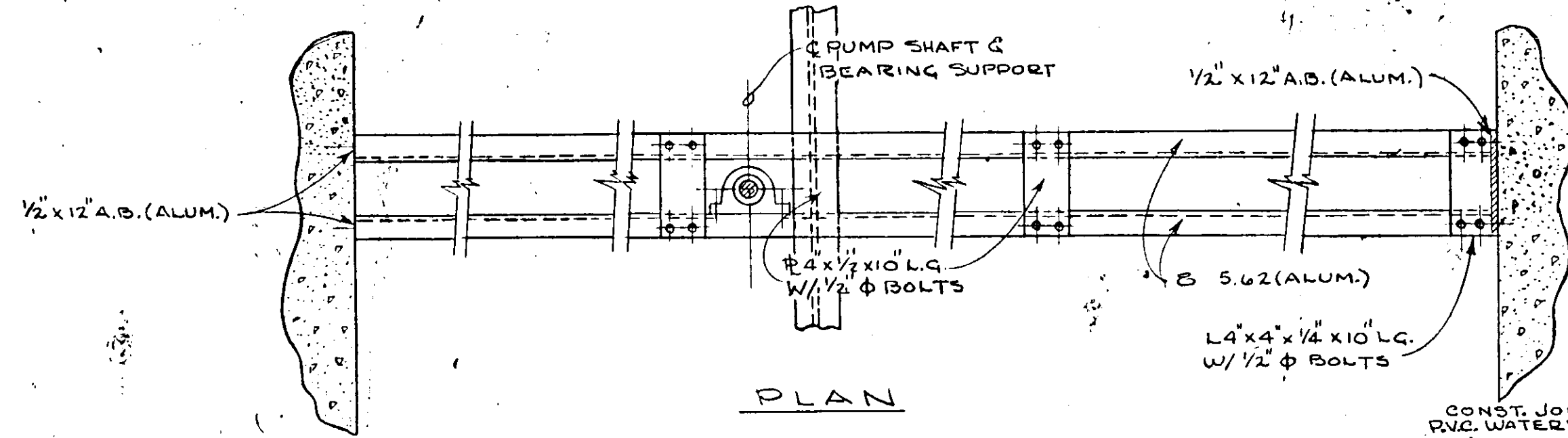
CONC. FL. TO ALUM. GRATING
ALUM. STAIR DETAIL
SCALE 1" = 1'-0"



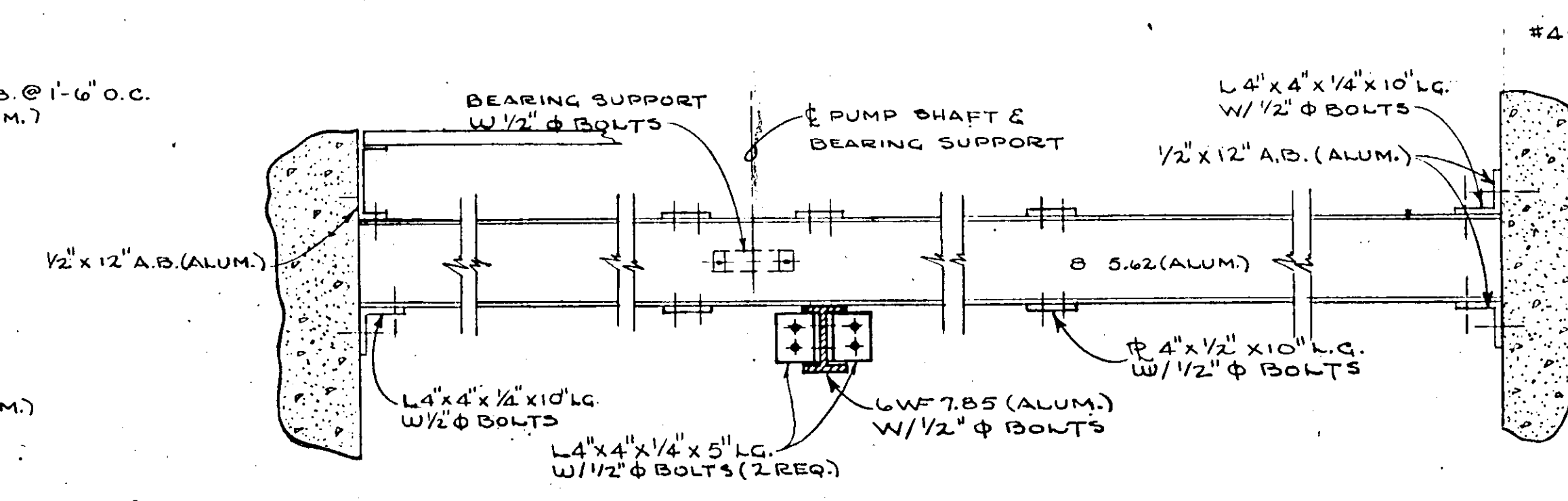
ALUM. GRATING TO CONC. FLOOR
ALUM. STAIR DETAIL
SCALE 1" = 1'-0"

DIMENSIONS	A	B	C
LS.#5&12A	9"	10"	7 3/4"
LS.#1M&27A	9"	11"	7 3/4"

TREAD & RISER DIMENSIONS FOR
FOR ALUM. STAIRS (RS.#5-12A-1M&27A)

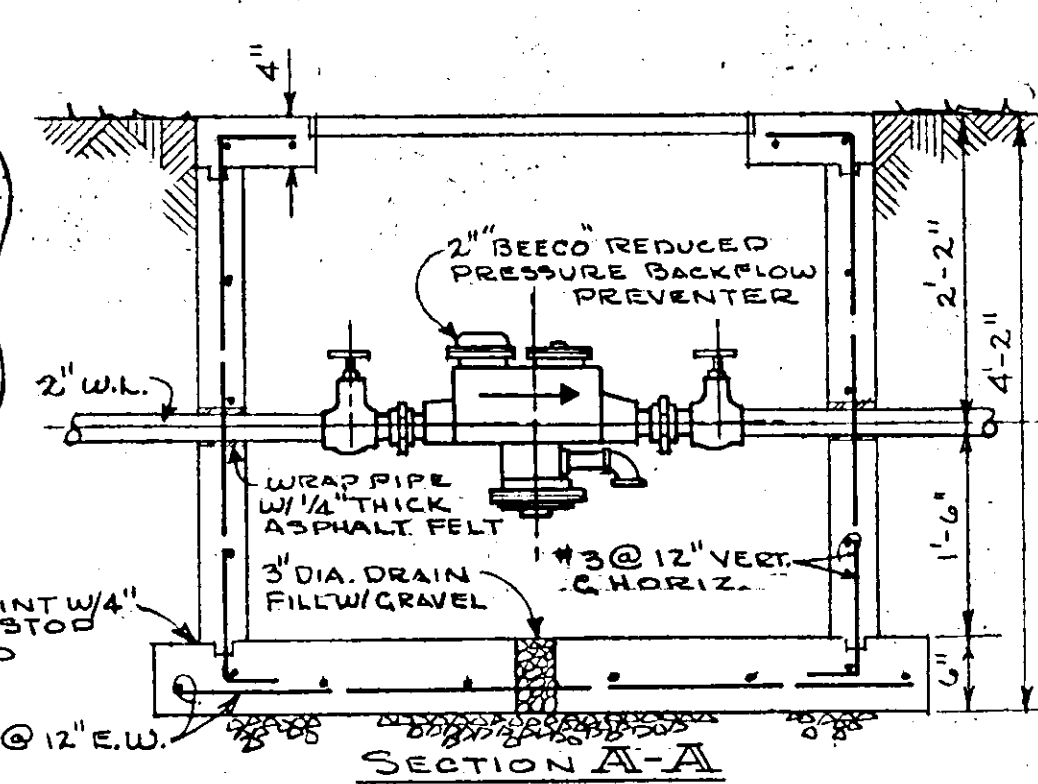


PLAN

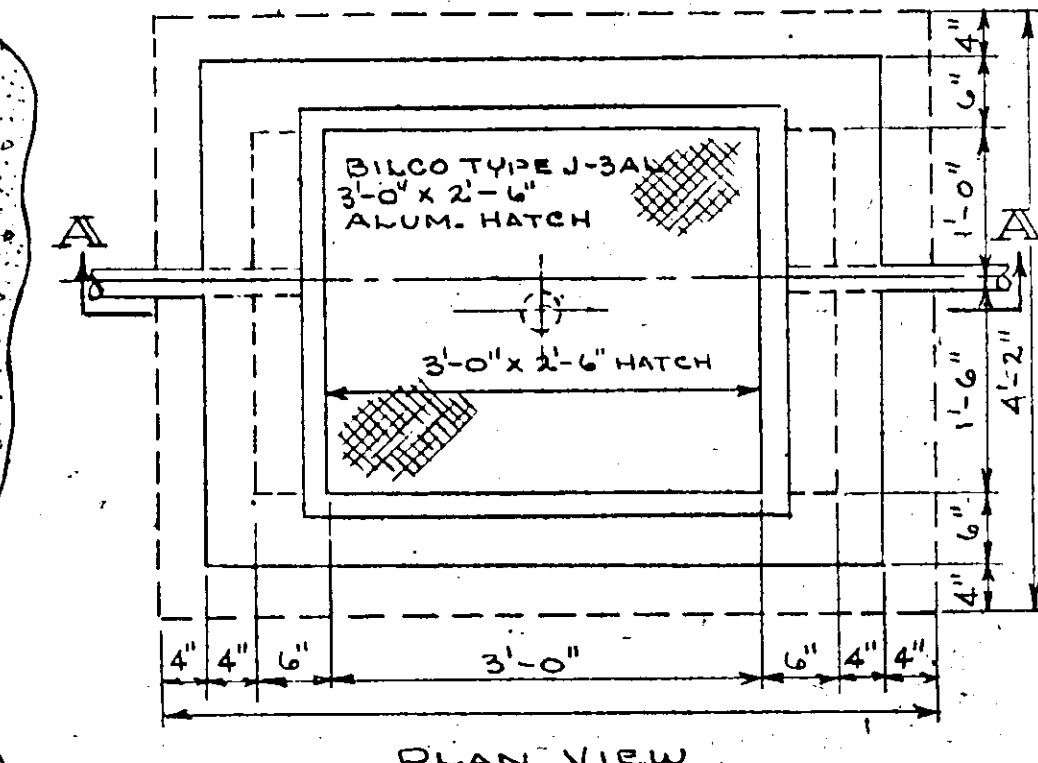


ELEVATION

DETAIL OF PUMP SHAFT & BEARING SUPPORT (RS.#5 & 1-M)
SCALE 1" = 1'-0"

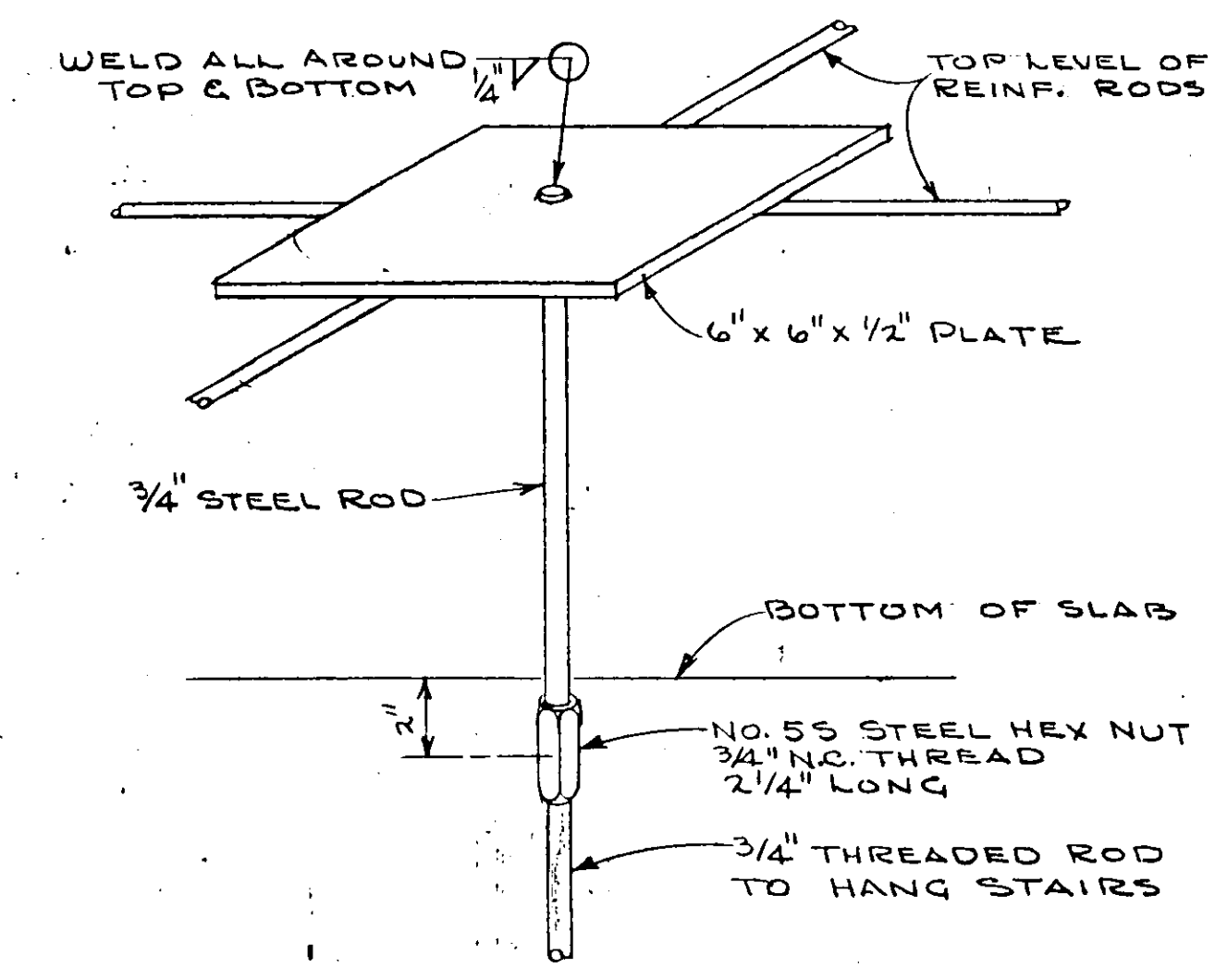


SECTION A-A

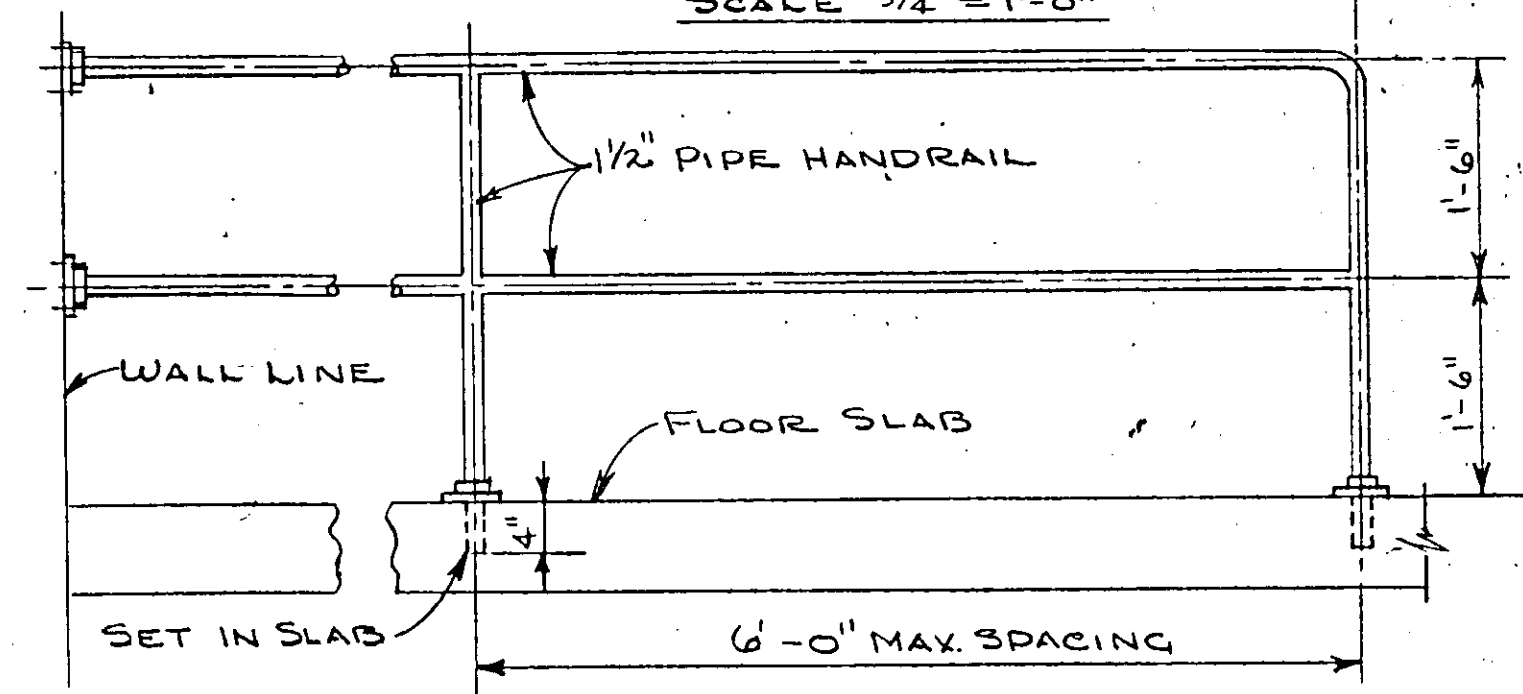


PLAN VIEW

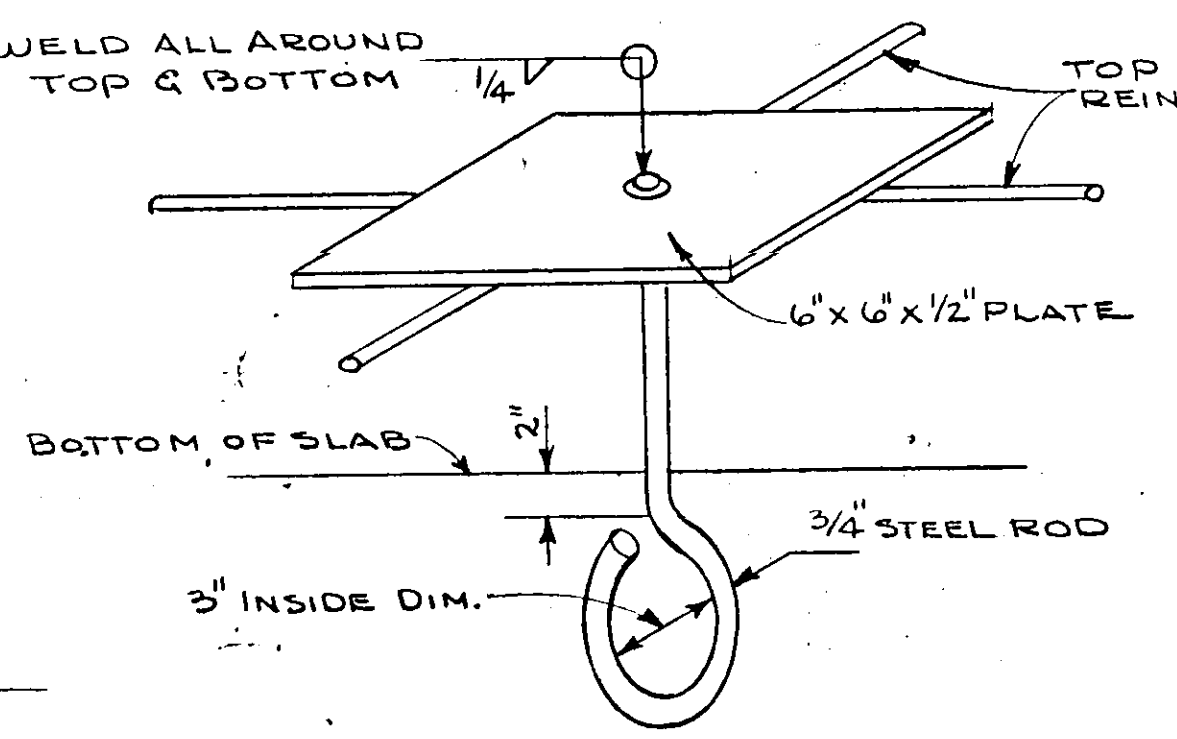
BACKFLOW PREVENTER PIT DETAIL
SCALE 3/4" = 1'-0"



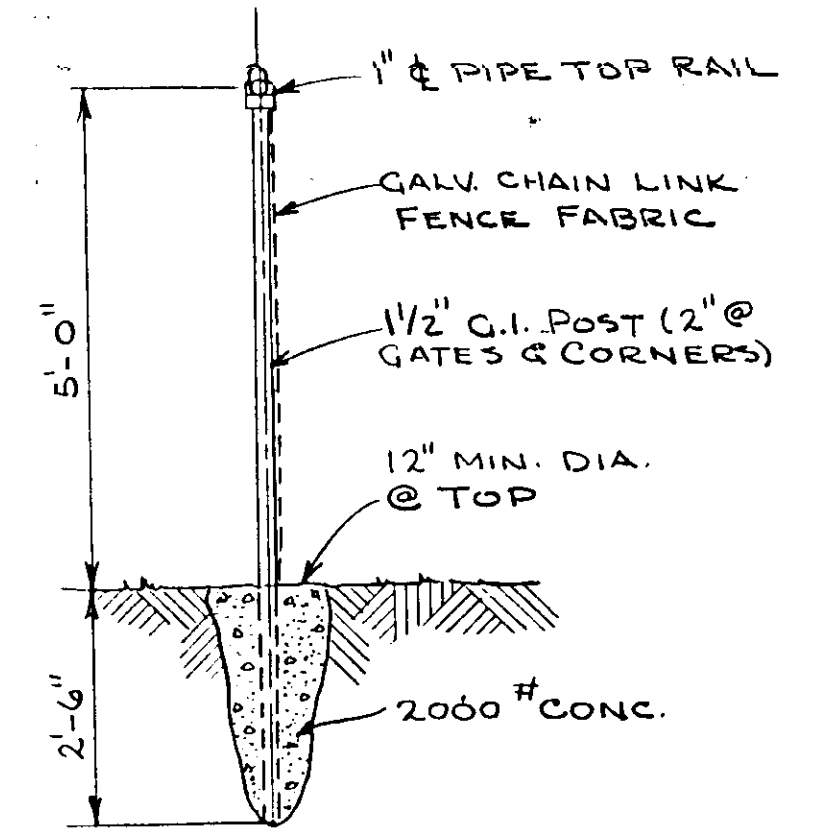
STAIR HANGER - DETAIL
NOT TO SCALE



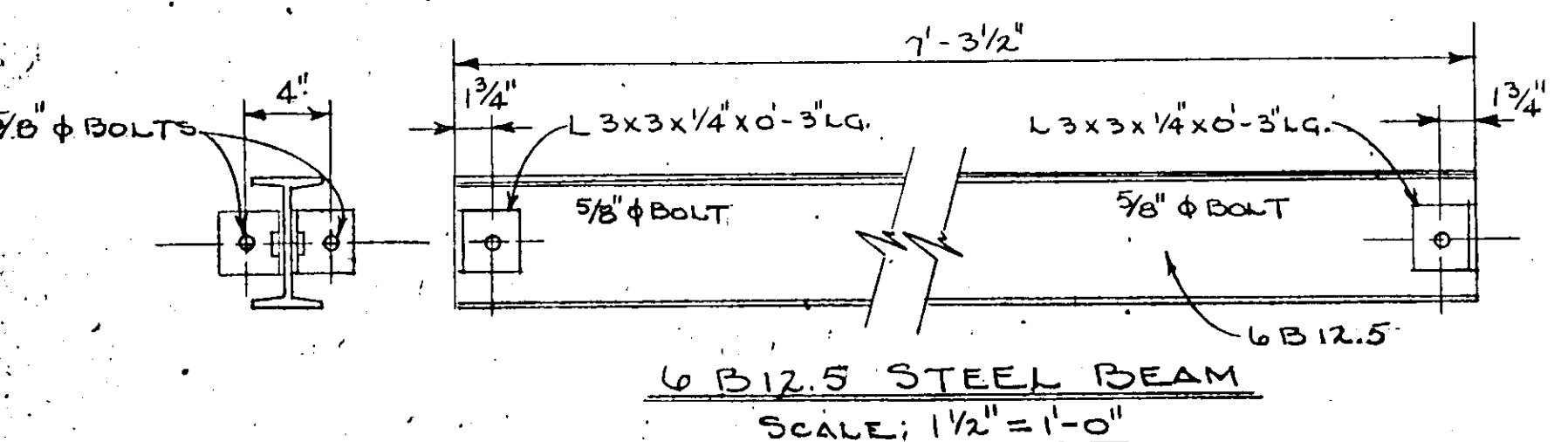
HANDRAIL DETAIL
SCALE: 3/4" = 1'-0"



EYE BOLT HANGER DETAIL
NOT TO SCALE

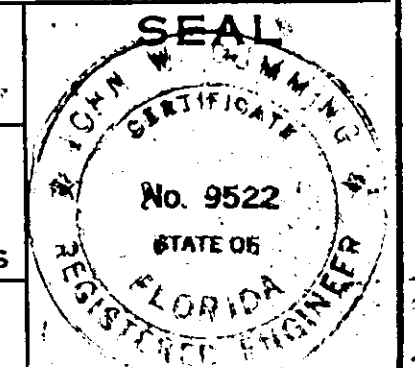


FENCE DETAIL
SCALE: 1/2" = 1'-0"

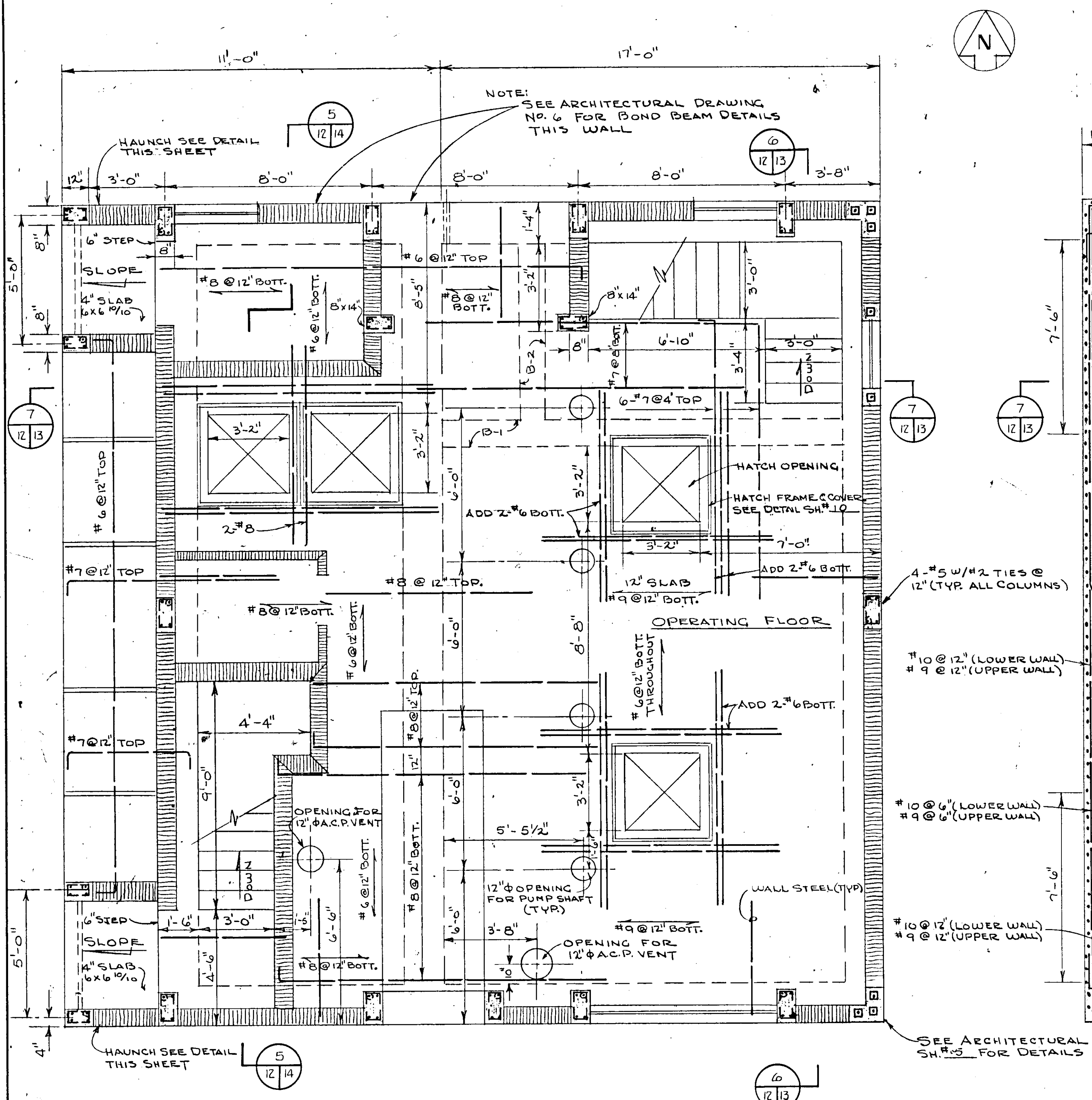


6 B 12.5 STEEL BEAM
SCALE: 1/2" = 1'-0"

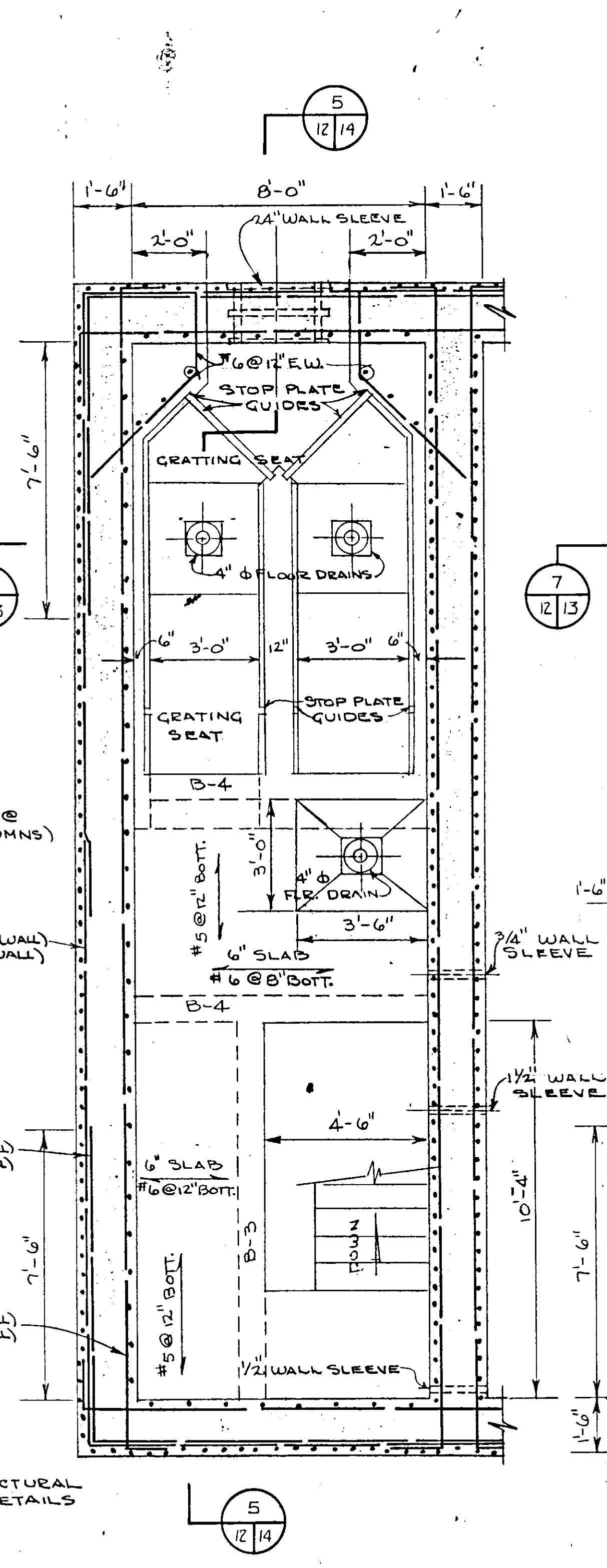
NO.	DATE	DESCRIPTION	BY	CHKD.
REVISIONS				
RUSSELL & AXON Consulting Engineers, Incorporated DAYTONA BEACH, FLA. ST. LOUIS, MO.				
SANITARY SEWERAGE PROJECT PART A SECTION III - SEWAGE LIFT STATIONS STATIONS #5, #1M, #12A, 27A (MISC. DETAILS)				
T-11 MANATEE COUNTY FLORIDA				
DESIGNED BY	P.B.C.	FILE NO.	6 681-8b	
DRAWN BY	R.L.J.	SHEET	No. 11	
CHECKED BY	J.M. JWC	OF 45	SHEETS	
DATE	DEC. 1971	SCALE:	SEE ABOVE	



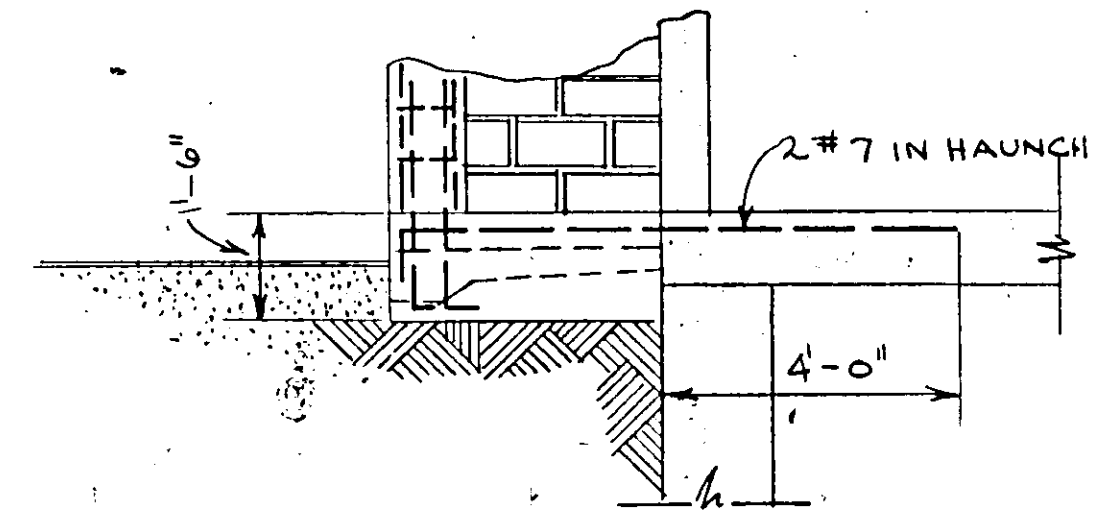
17-01



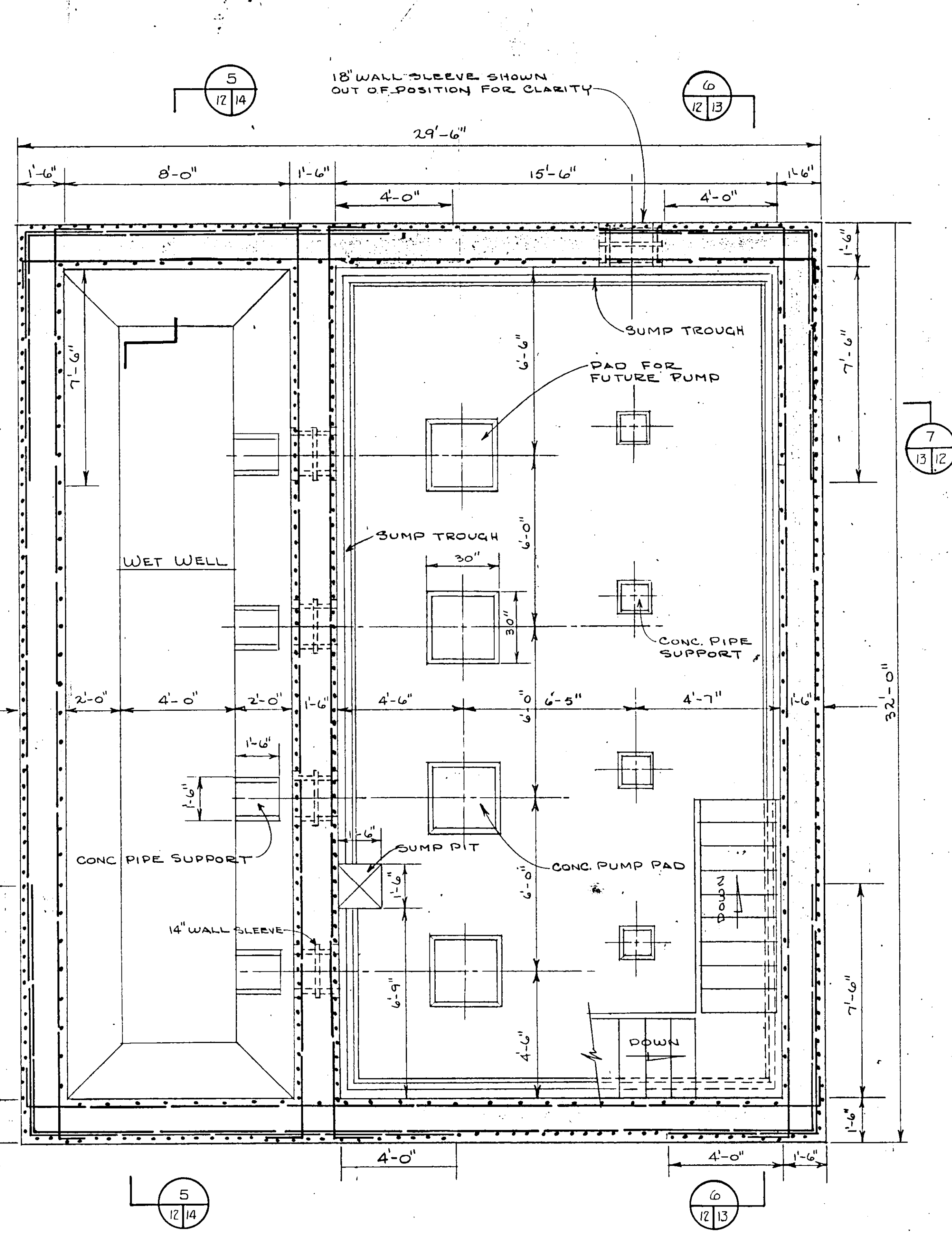
PUMP OPERATING FLOOR
SCALE 3/8" = 1'-0"



PLAN WET WELL
SCALE 3/8" = 1'-0"

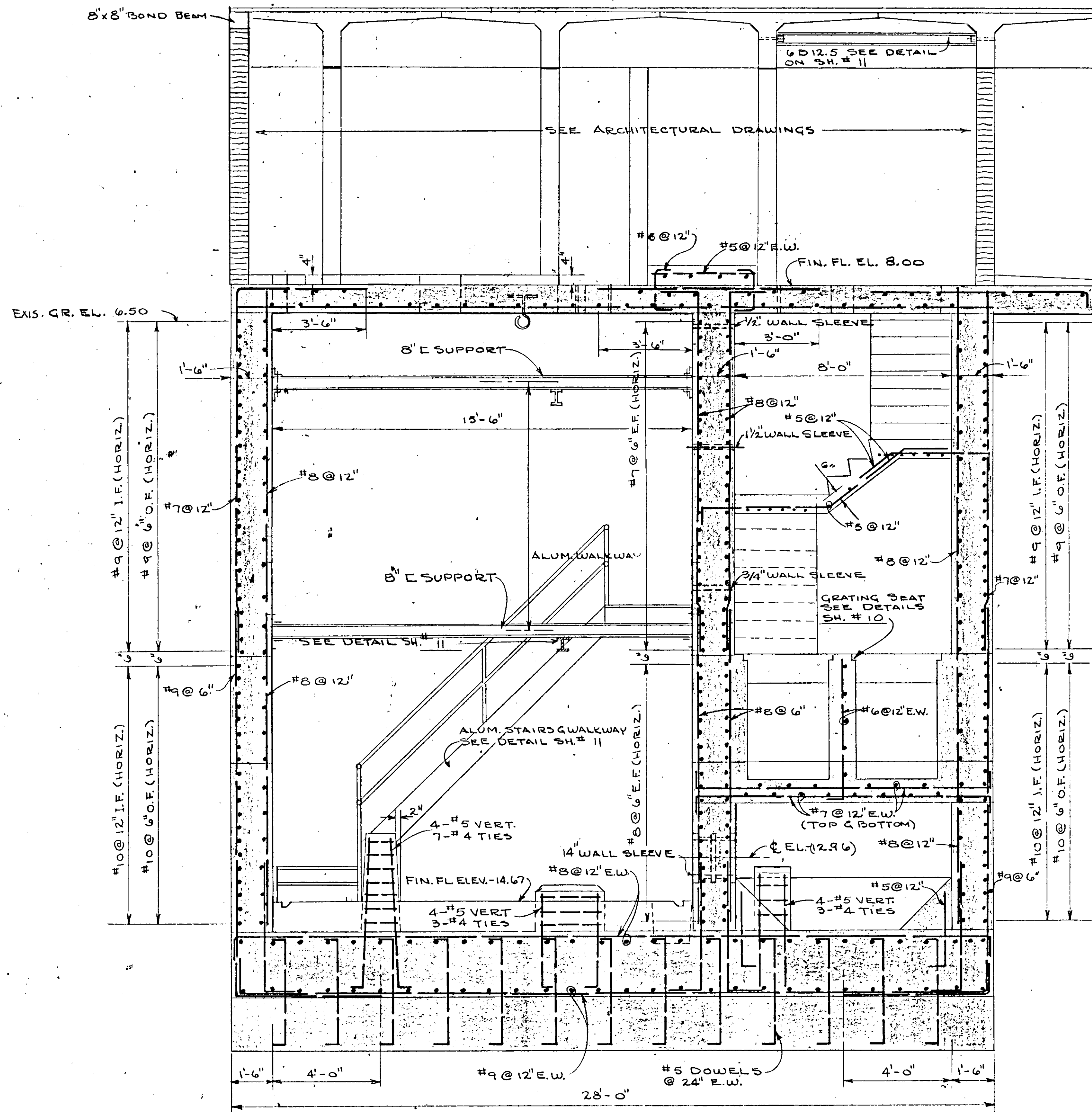


HAUNCH DETAIL
SCALE 3/8" = 1'-0"

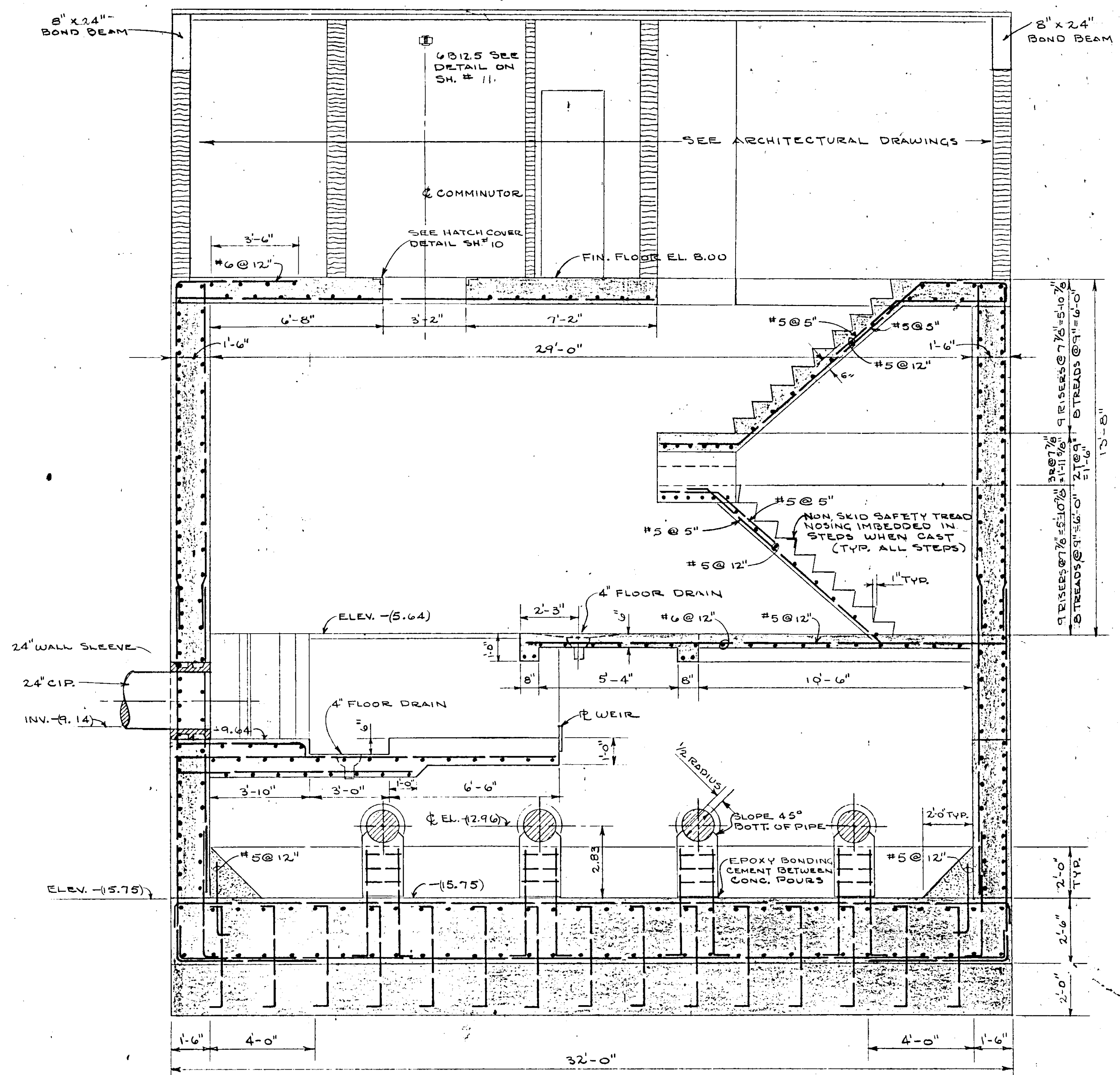


PLAN PUMP ROOM & WET WELL
SCALE 3/8" = 1'-0"

NO.	DATE	DESCRIPTION	BY	CRD.
RUSSELL & AXON Consulting Engineers, Incorporated DAYTONA BEACH, FLA. ST. LOUIS, MO.				
SANITARY SEWERAGE PROJECT PART A SECTION III - SEWAGE LIFT STATIONS STA. #5 - STRUCT. - FLOOR PLAN				
MANATEE COUNTY DESIGNED BY J.T.S. DRAWN BY R.L.J. CHECKED BY J.M. JWC. DATE DEC. 1971			FILE NO. 6681-8b SHEET No. 12 OF 45 SHEETS SCALE: 3/8" = 1'-0"	
FLORIDA No. 9522 STATE OF FLORIDA REGISTERED PROFESSIONAL ENGINEER				



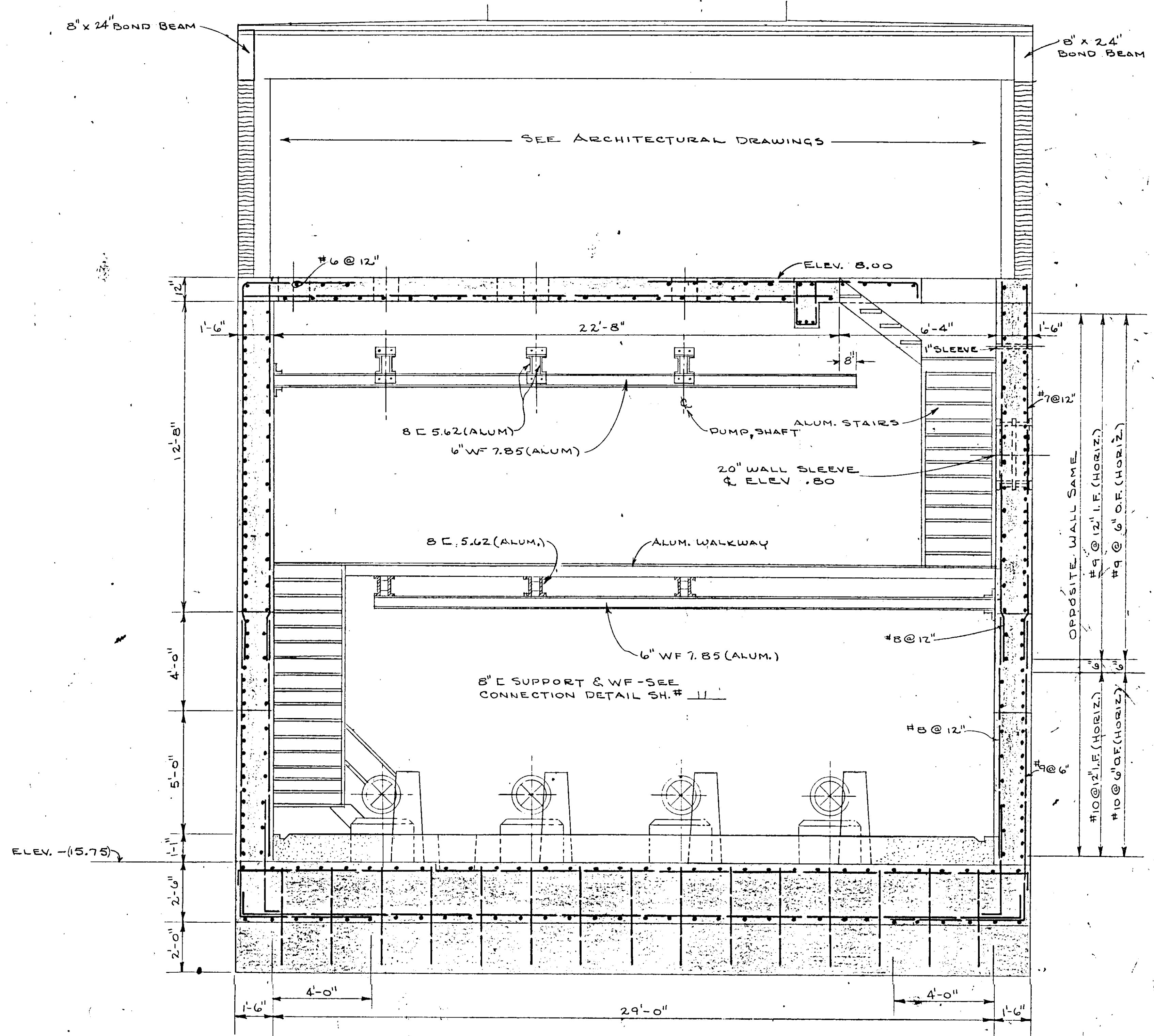
SECTION 7
SCALE 3/8" = 1'-0"



SECTION 6
SCALE 3/8" = 1'-0"

NO.	DATE	DESCRIPTION	BY	CHKD.
REVISIONS				
RUSSELL & AXON Consulting Engineers, Incorporated DAYTONA BEACH, FLA. ST. LOUIS, MO.				
SANITARY SEWERAGE PROJECT PART A SECTION III - SEWER LIFT STATIONS STA. # 5 - STRUCT. - SECTIONS				
MANATEE COUNTY FLORIDA				
DESIGNED BY	J.T.S.	FILE NO.	6 6 8 1 - 8 b	
DRAWN BY	R.L.J.	SHEET	13	
CHECKED BY	M. JWC	OF 45 SHEETS		
DATE	DEC. 1971	SCALE: 3/8" = 1'-0"		

17-01



SECTION $\frac{5}{12}$
 SCALE $\frac{3}{8}'' = 1'-0''$

NO.	DATE	DESCRIPTION	BY	CKD.
REVISIONS				
RUSSELL & AXON Consulting Engineers, Incorporated DAYTONA BEACH, FLA. ST. LOUIS, MO.				
SANITARY SEWERAGE PROJECT PART A SECTION III - SEWAGE LIFT STATIONS STA. #5 - STRUCT. - SECTIONS				
MANATEE COUNTY		FLORIDA		
DESIGNED BY J.T.S.	FILE NO. 6681-8b	SEAL REGISTERED PROFESSIONAL ENGINEER No. 9522 STATE OF FLORIDA		
DRAWN BY R.L.J.	SHEET No. 14			
CHECKED BY J.W.C.	OF 45 SHEETS			
DATE DEC. 1971	SCALE: $\frac{3}{8}'' = 1'-0''$			

17-01

LIGHTING PANELBOARDS SCHEDULE

120/208 VAC. - 3 Φ - 4W - SN MAIN LUGS ONLY; 200A - 30 SPACES - NEMA 1 ENCLOSURE

SERVICE	PUMPING STATION #5			PUMPING STATION #1-M			PUMPING STATION #27A			PUMPING STATION #12A		
	CKT. NO.	POLES	AMP	LOAD VA	CKT. NO.	POLES	AMP	LOAD VA	CKT. NO.	POLES	AMP	LOAD VA
MOTOR CONTROL CIRCUITS	1	1	20	1000	1	1	20	1000	1	1	20	1000
BATTERY CHARGER	3		20	600	3		20	600	3		20	600
#1 PUMP SPEED CONTROLLER	4		20	1000	4		20	1200	4		20	1100
#2 PUMP	5		20		5		20	1200	5		20	1100
#4 PUMP (FUT)	6		20	1000	6		20	1200	6		20	1100
SUMP PUMP	7		20	700	7		20	700	7		20	700
WET WELL LIGHTS	8		20	1500	8		20	1500	8		20	1500
OPER. FLOOR LIGHTS	9		20	1200	9		20	1200	9		20	1200
OUTDOOR FLOODLIGHTS	11		20	1400	11		20	1400	11		20	1400
CHLOR. STORAGE LIGHTS	12		20	1000	12		20	1000	12		20	1000
OPER. FLOOR RECEPTACLES	14		20	800	14		20	800	14		20	800
DRY WELL LIGHTS	15		20	1000	15		20	1000	15		20	1000
TOILET LIGHT	16		20	1400	16		20	1400	16		20	1400
CHLORINATOR HEATER	17		20	1400	17		20	1400	17		20	1400
CHLOR. FAN & LIGHT	18		15	100	18		15	100	18		15	100
SPARE	19		15	50	19		15	50	19		15	50
SPACE	20		15	250	20		15	250	20		15	250
SPACE	21		20		21		20		21		20	
SPACE	22		20		22		20		22		20	
SPACE	23		15		23		15		23		15	
SPACE	24		15		24		15		24		15	
SPACE	25				25				25			
SPACE	26				26				26			
SPACE	27				27				27			
SPACE	28				28				28			
SPACE	29				29				29			
SPACE	30				30				30			
TOTAL PHASE LOAD				5300 6600 5700				5300 6800 6100				5300 6700 5900

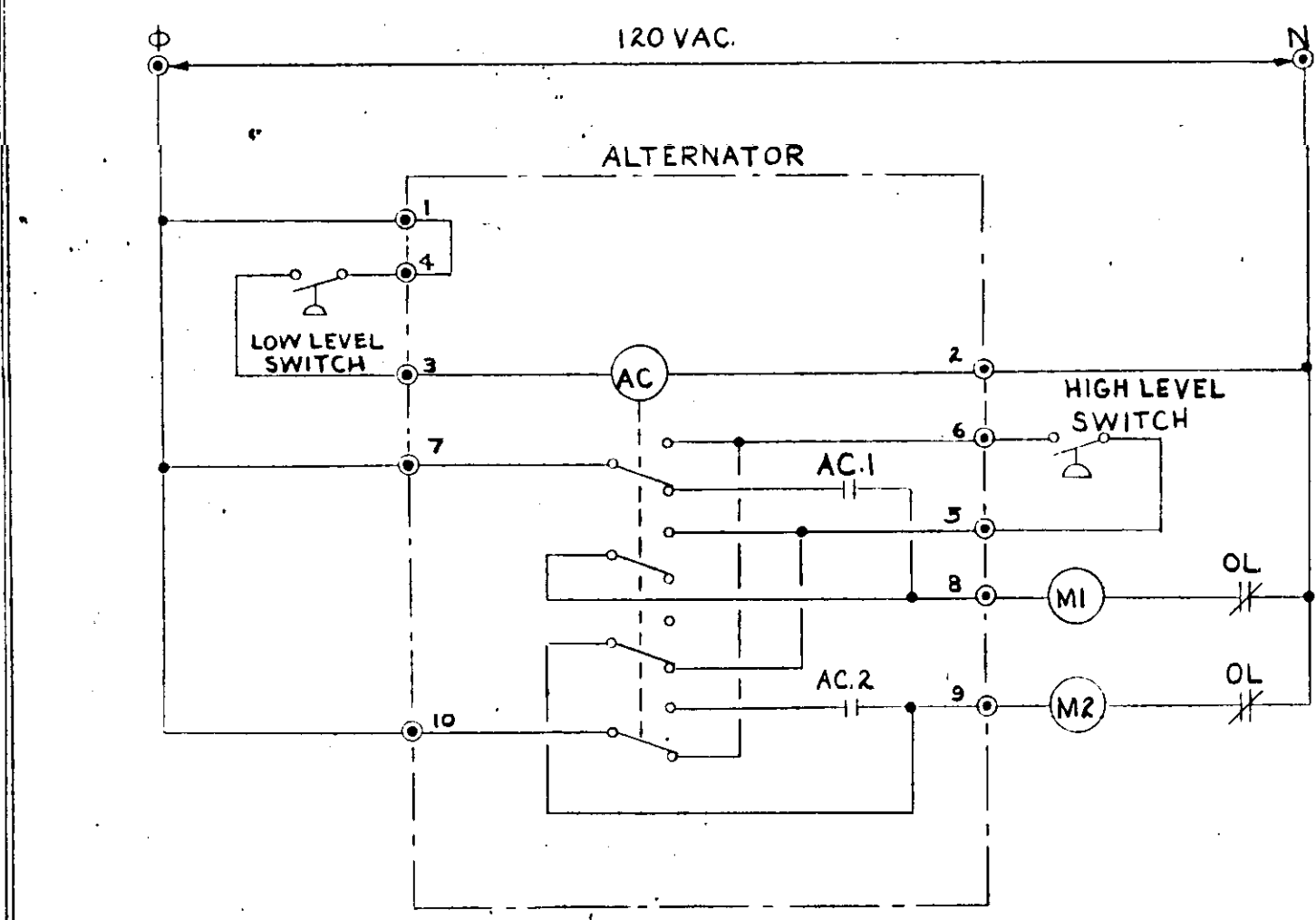
ELECTRICAL LEGEND

	CIRCUIT BREAKER
	COMBINATION CIRCUIT BREAKER - MOTOR STARTER
	PILOT LIGHT - G - GREEN - R - RED
	RELAY OR CONTACTOR COIL. LETTER DESCRIBES FUNCTION
	INCANDESCENT FLOOD LIGHT, OUTDOOR, WIDE BEAM
	TUMBLER SWITCH SPST. SUFFIXES: M - MOTOR STARTER W/O L; P - PILOT LIGHT OVERLOAD
	FUSE ON CONTROL CIRCUITS
	MANUAL MOTOR STARTER W/OVERLOAD PROTECTION
	NORMALLY OPEN (NORMALLY CLOSED CONTACTS)
	SWITCH PRESSURE OPERATED
	SWITCH FLOAT OPERATED
	TWO POSITION SINGLE POLE SELECTOR SWITCH
	THREE POSITION DOUBLE POLE SELECTOR SWITCH
	INCANDESCENT FIXTURE - CEILING MOUNT. LETTER DESCRIBES TYPE OF FIXTURE
	INCANDESCENT FIXTURE - WALL MOUNT
	DOUBLE UTILITY OUTLET W/GROUND - 120V/15A. SUFFIXES - W - WEATHER PROOF
	LIGHTING PANEL
	MOTOR
	PUSH BUTTON STATION
	INDICATES CONDUIT RUN GOING UP - GOING DOWN
	CONDUIT RUN EXPOSED - CROSS MARKS INDICATE NUMBER OF CONDUCTORS - CONDUITS NOT OTHERWISE MARKED SHALL HAVE TWO
	CONDUIT RUN CONCEALED IN WALL, SLAB OR CEILING
	SUFFIX THAT INDICATES EXPLOSION PROOF EQUIPMENT
	HEATER
	AMMETER
	VOLTMETER
	POWER FACTOR METER
	WATT HOUR METER
	AMMETER - SWITCH
	VOLTMETER - SWITCH
	REDUCED VOLTAGE NONREVERSIBLE STARTER
	FULL VOLTAGE NONREVERSIBLE STARTER
	HAND-OFF-AUTO 3 POSITION SELECTOR SWITCH
	TIMER DEVICE
	SAFETY NON-FUSED DISCONNECT SWITCH
	KEY OPERATED LIGHT SWITCH
	JAMB OPERATED FAN SWITCH
	SELECTOR SWITCH - START/STOP PUSH BUTTON

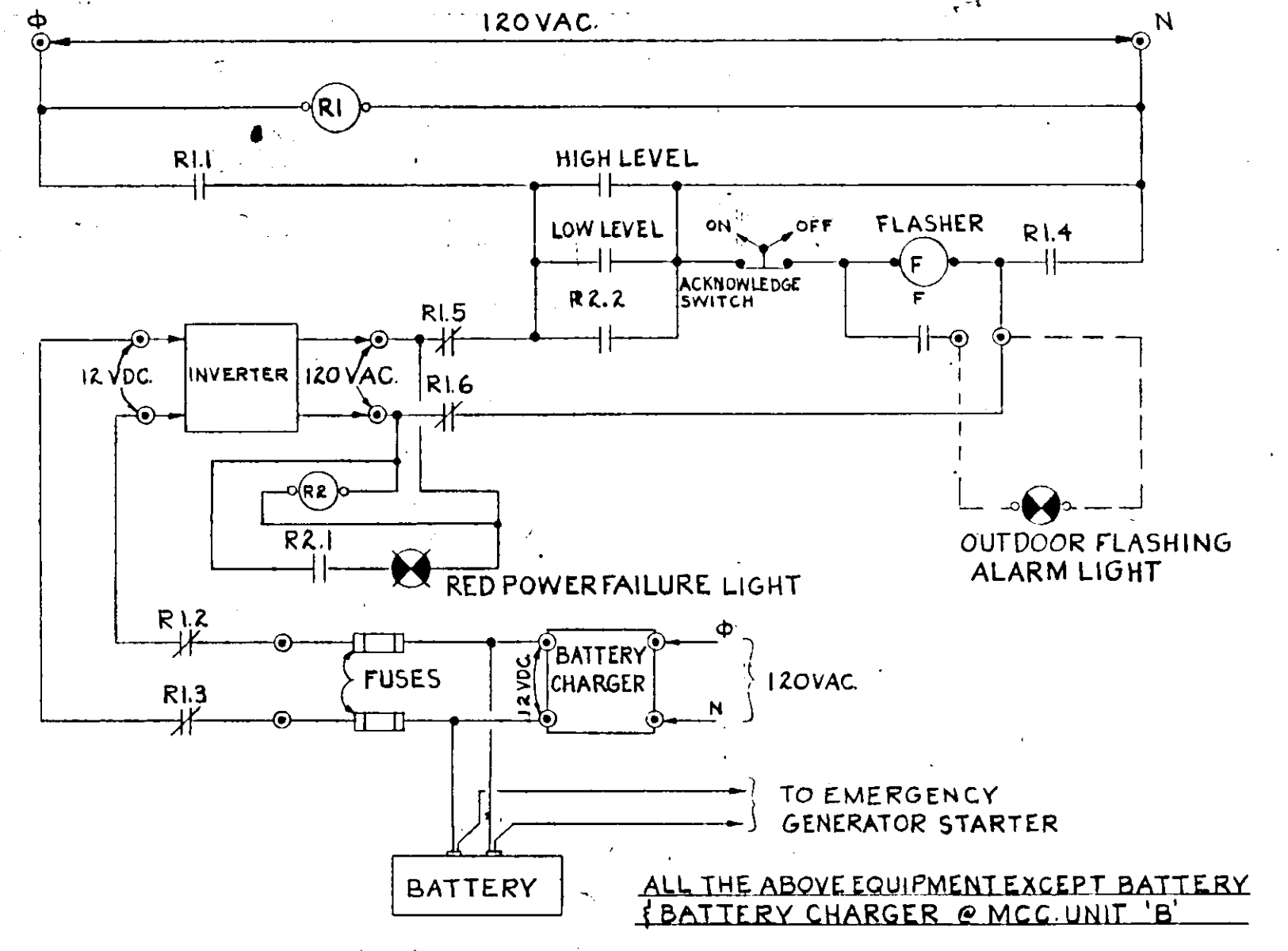
LIGHTING SCHEDULE

A	VAPOR TIGHT CEILING MOUNTED INCANDESCENT W/GLOBE & GUARD 200W-PS25 LAMP - CROUSE-HINDS VXHF OR APPROVED EQUAL.
B	EXPLOSION PROOF CEILING MOUNTED INCANDESCENT 150W-A21 LAMP - CROUSE-HINDS EVCX OR APPROVED EQUAL.
C	RECESSED GASKETED DUST TIGHT WEATHERPROOF INCANDESCENT 100W-A21 LAMP - ART METAL #3617 OR APPROVED EQUAL.
E	VAPORTIGHT BRACKET MOUNTED INCANDESCENT W/GLOBE & GUARD 200W-PS25 LAMP - CROUSE-HINDS VXHF OR APPROVED EQUAL. *
F	VAPORTIGHT WALL MOUNTED INCANDESCENT W/GLOBE 100W-A21 LAMP - CROUSE-HINDS VUB OR APPROVED EQUAL.
G	EXPLOSION PROOF BRACKET MOUNTED INCANDESCENT 150W-A21 LAMP - CROUSE-HINDS EVBX OR APPROVED EQUAL.
H	WEATHERPROOF INCANDESCENT FLOODLIGHT 150W-PAR 38 PROJECTOR - STONCO 4400L OR APPROVED EQUAL.

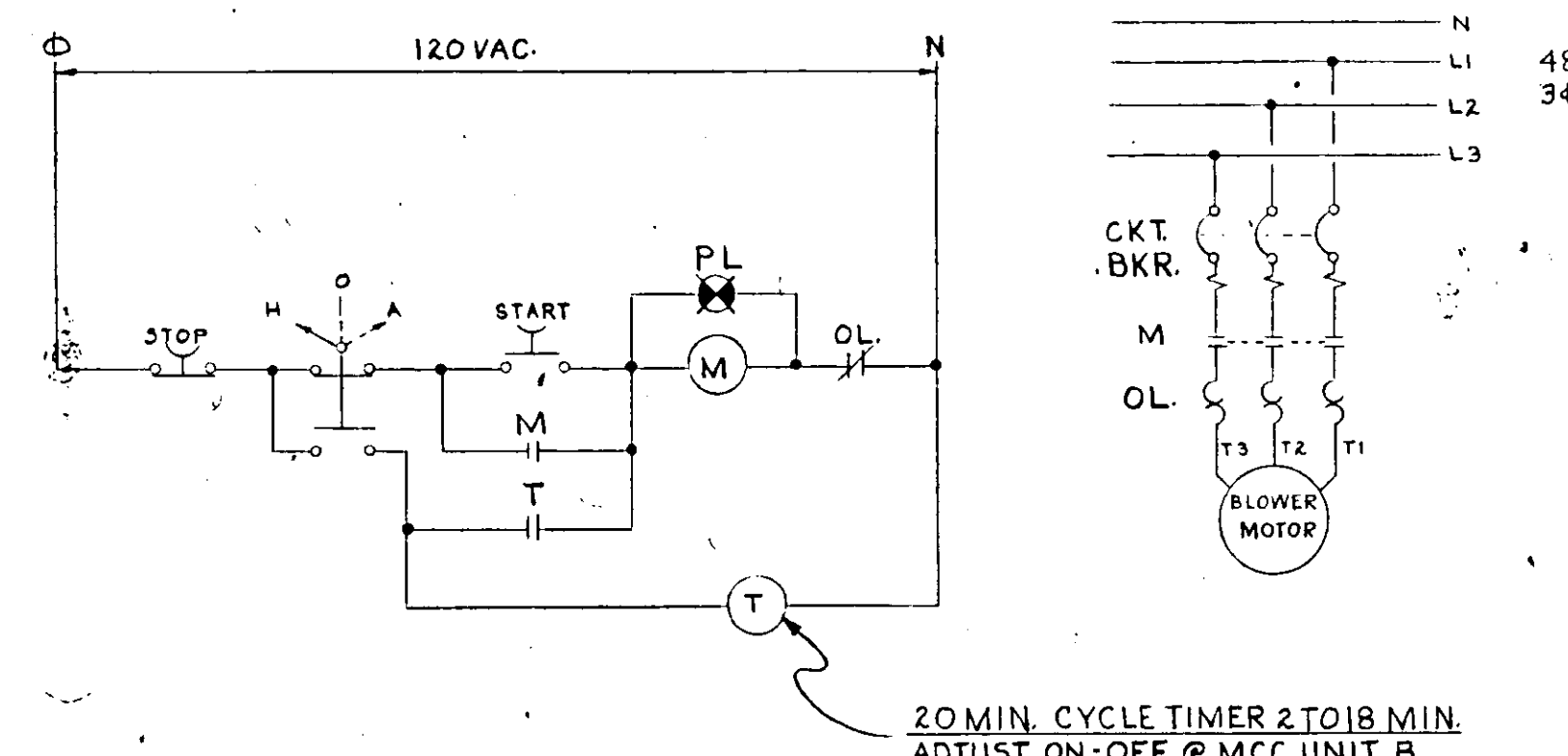
* PROVIDE ONE UNIT W/ RED GLOBE FOR OUTDOOR MOUNTING.



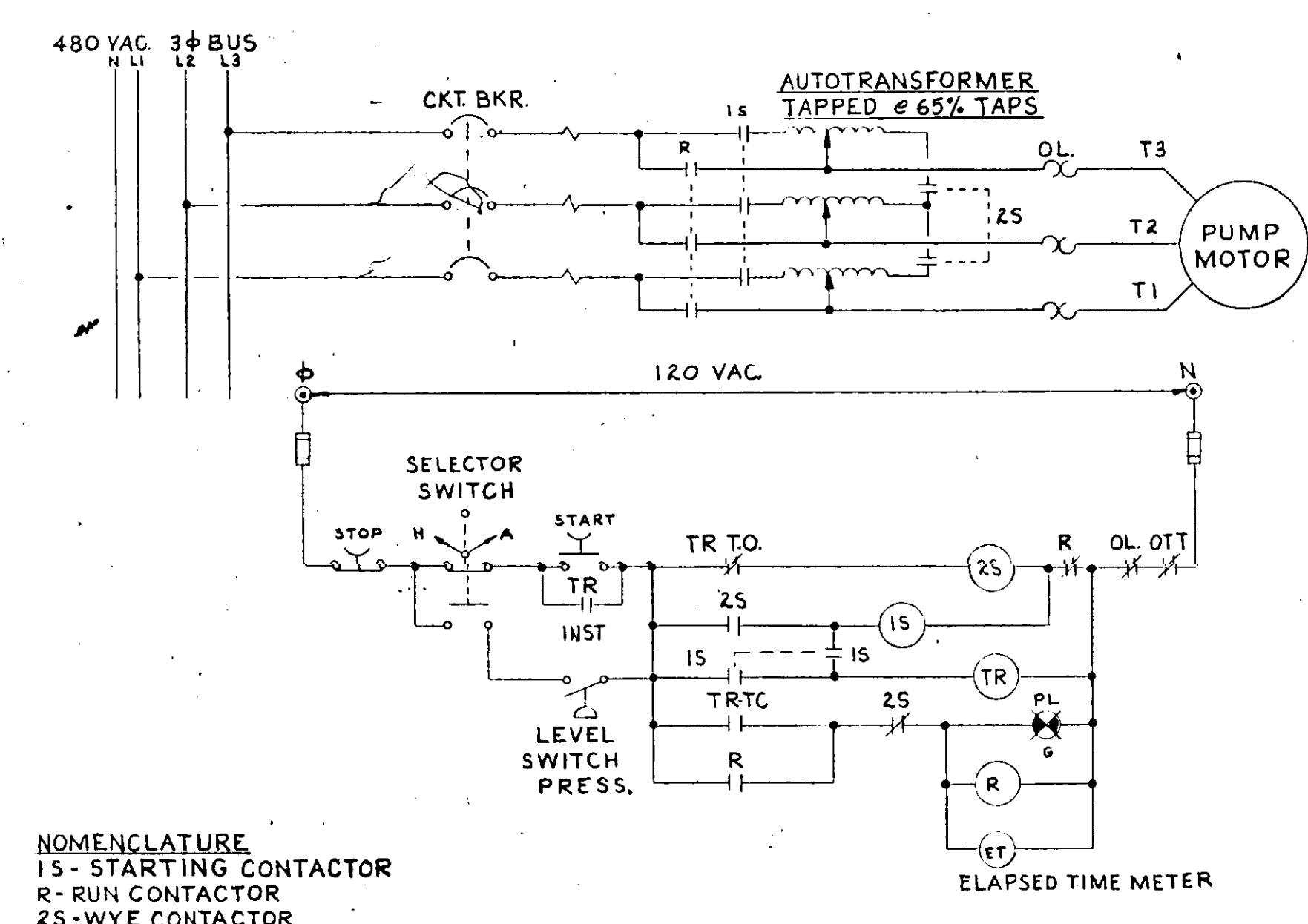
TWO CIRCUIT ALTERNATOR - SCHEMATIC
(OPEN CHASSIS, AUTOCON #7101, OR APPR. EQUAL.)



POWER FAILURE ALARM SYST. - SCHEMATIC

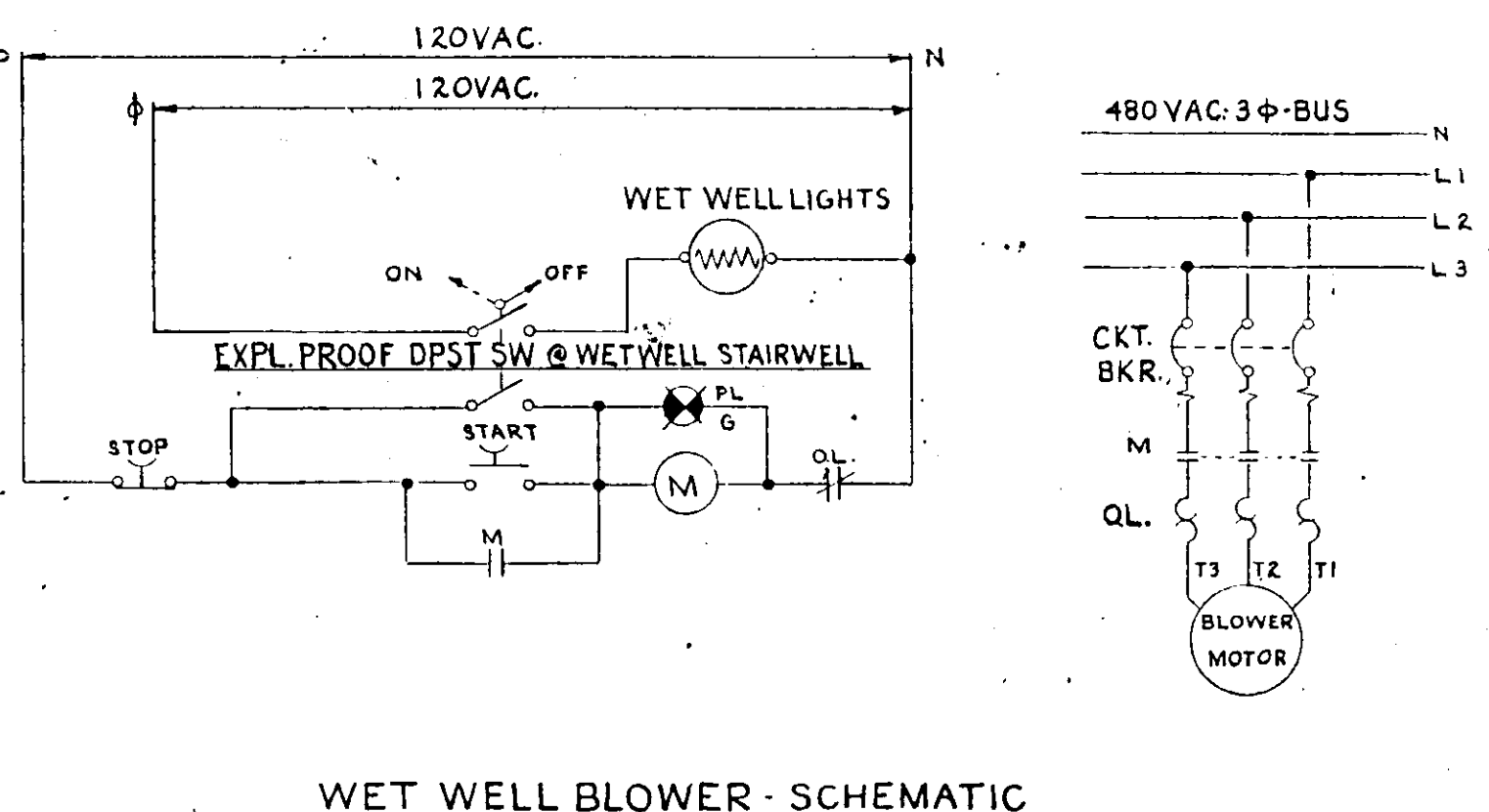


DRY WELL BLOWER - SCHEMATIC

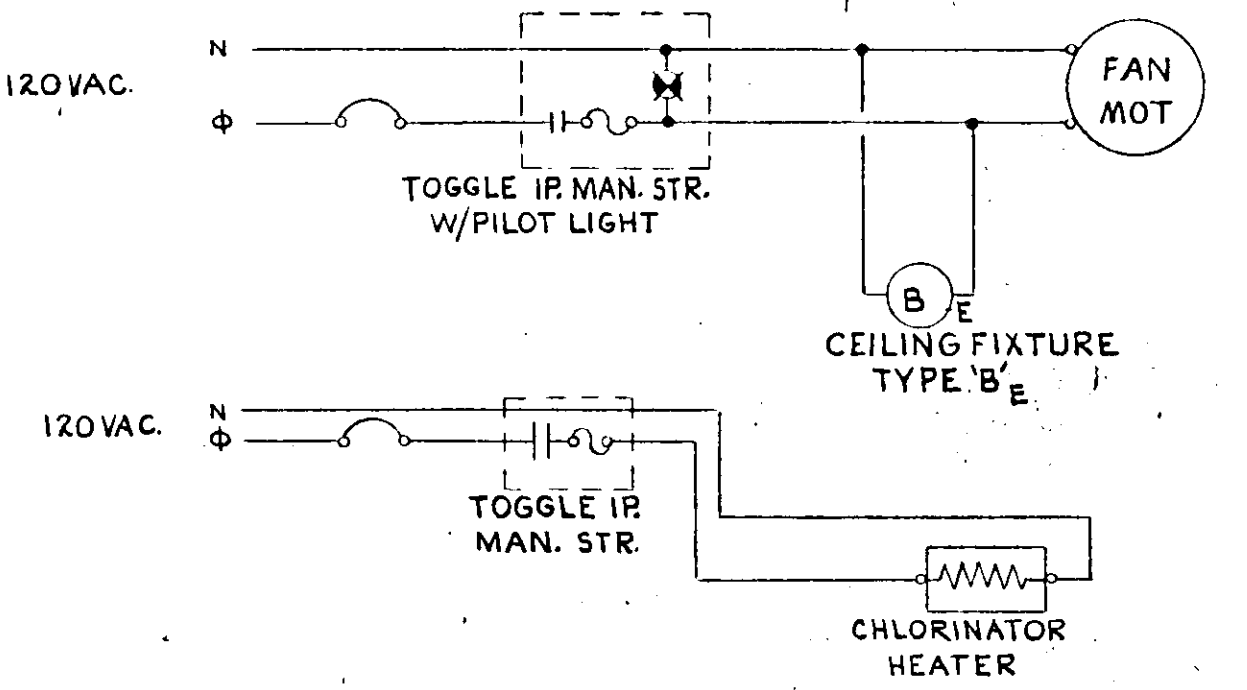


NOMENCLATURE
 1S - STARTING CONTACTOR
 R - RUN CONTACTOR
 2S - WYE CONTACTOR
 OTT - OVERTEMP. THERMOST.
 TR - PNEUMATIC TIMER
 TO - TIME OPENING CONTACTS
 TC - TIME CLOSING CONTACTS
 PLG - PILOT LIGHT GREEN

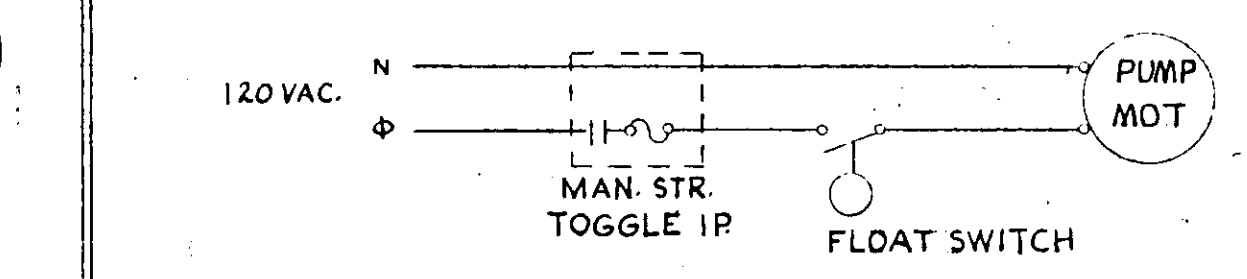
PUMPS - REDUC. VOLT. START - SCHEMATIC



WET WELL BLOWER - SCHEMATIC



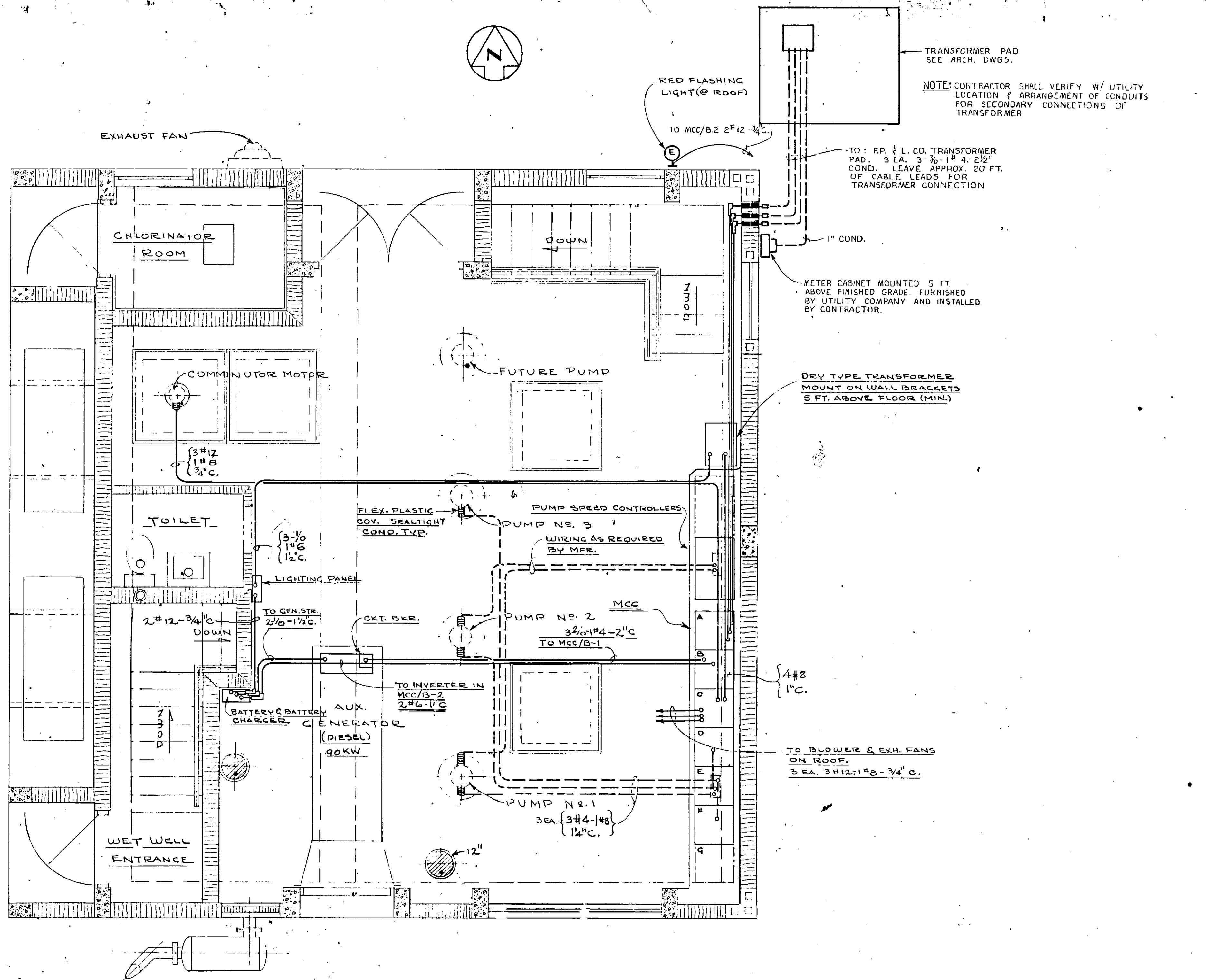
CHLORINATOR FAN, LIGHT & HEATER - SCHEMATIC



SUMP PUMP MOTOR - SCHEMATIC

NO.	DATE	DESCRIPTION	BY	CRD.
REVISIONS				
RUSSELL & AXON				
Consulting Engineers, Incorporated				
DAYTONA BEACH, FLA.		ST. LOUIS, MO.		
SANITARY SEWERAGE PROJECT				
PART A				
SECTION III - SEWAGE LIFT STATIONS T-15				
STA. #5, #1M, #12A & 27A - ELEC. SCHEDULES & SCHEMATICS				
MANATEE COUNTY FLORIDA				
DESIGNED BY	FILE NO.	SEAL		
G.B.A.	6681-8b			
DRAWN BY	SHEET			
CHECKED BY	OF 45 SHEETS			
DATE	SCALE: NONE			
DEC. 1971				

17-01

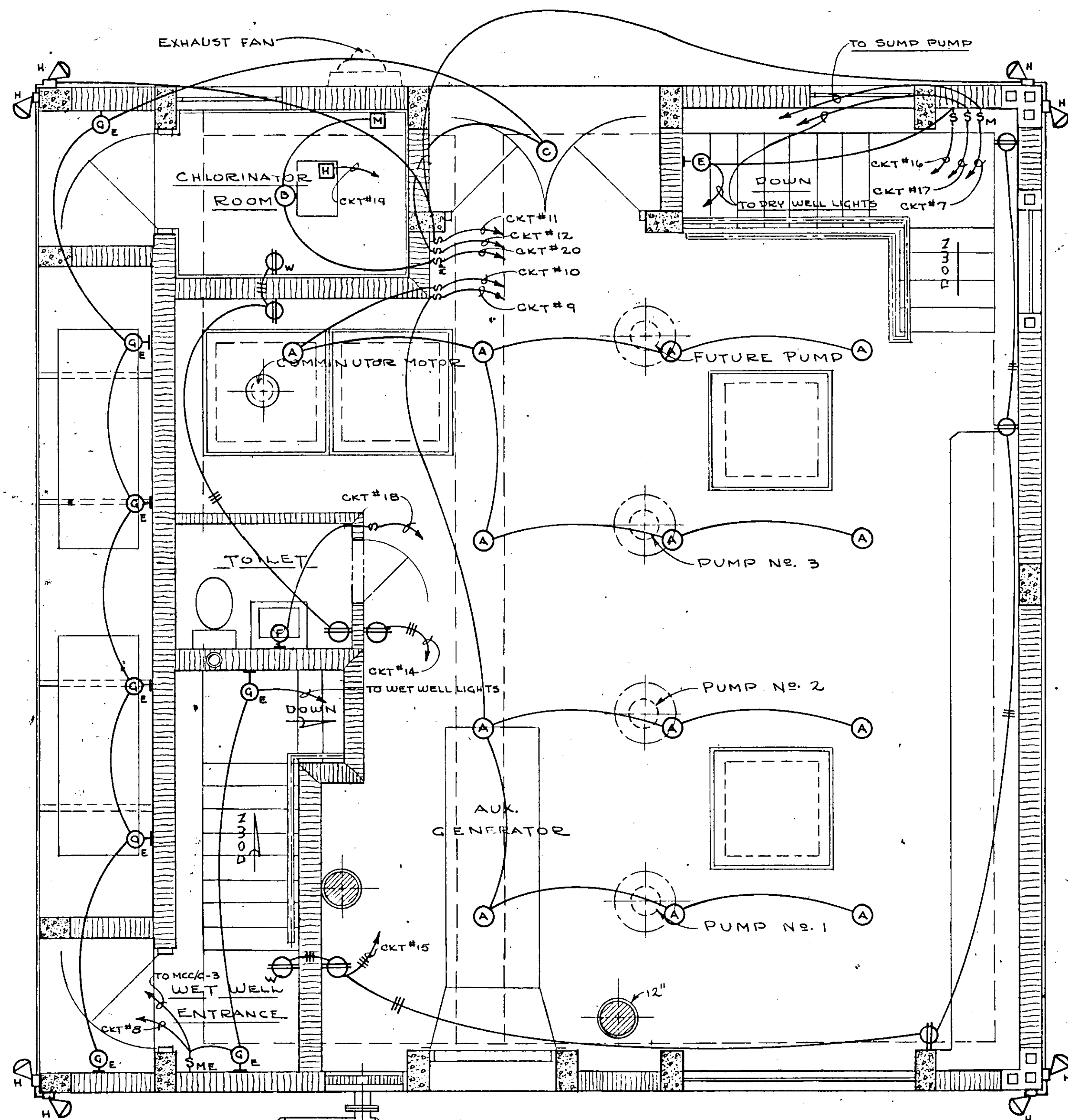


PLAN OF OPERATING FLOOR

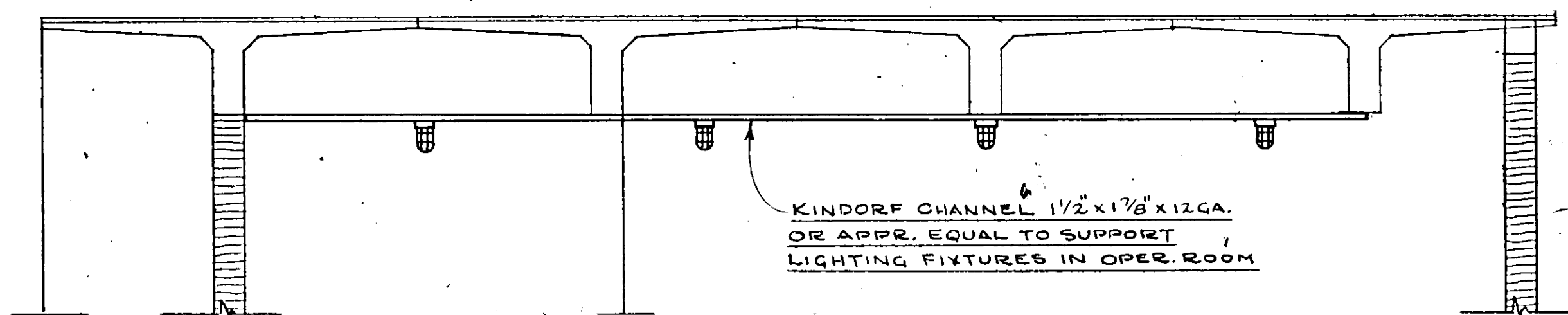
NOTE: RUN DOTTED CONDUITS UNDER FLOOR SLAB OR UNDERGROUND

NO.	DATE	DESCRIPTION	BY	CKD.			
REVISIONS							
RUSSELL & AXON Consulting Engineers, Incorporated DAYTONA BEACH, FLA. ST. LOUIS, MO.							
SANITARY SEWERAGE PROJECT PART A SECTION III - SEWAGE LIFT STATIONS T-16 STA.#5 - ELECTRICAL - (WIRING FLOOR-PLAN)							
MANATEE COUNTY FLORIDA							
DESIGNED BY G.B.A.	FILE NO. 6681-8b	<table border="1"> <tr> <td style="text-align: center;">SEAL</td> </tr> <tr> <td style="text-align: center;">No. 16</td> </tr> <tr> <td style="text-align: center;">OF 45 SHEETS</td> </tr> </table>			SEAL	No. 16	OF 45 SHEETS
SEAL							
No. 16							
OF 45 SHEETS							
DRAWN BY RLJ/WRY	SHEET						
CHECKED BY S.H. J.W.K. J.W.C.	DATE DEC. 1971						
SCALE: 3/8" = 1'-0"							

17-01

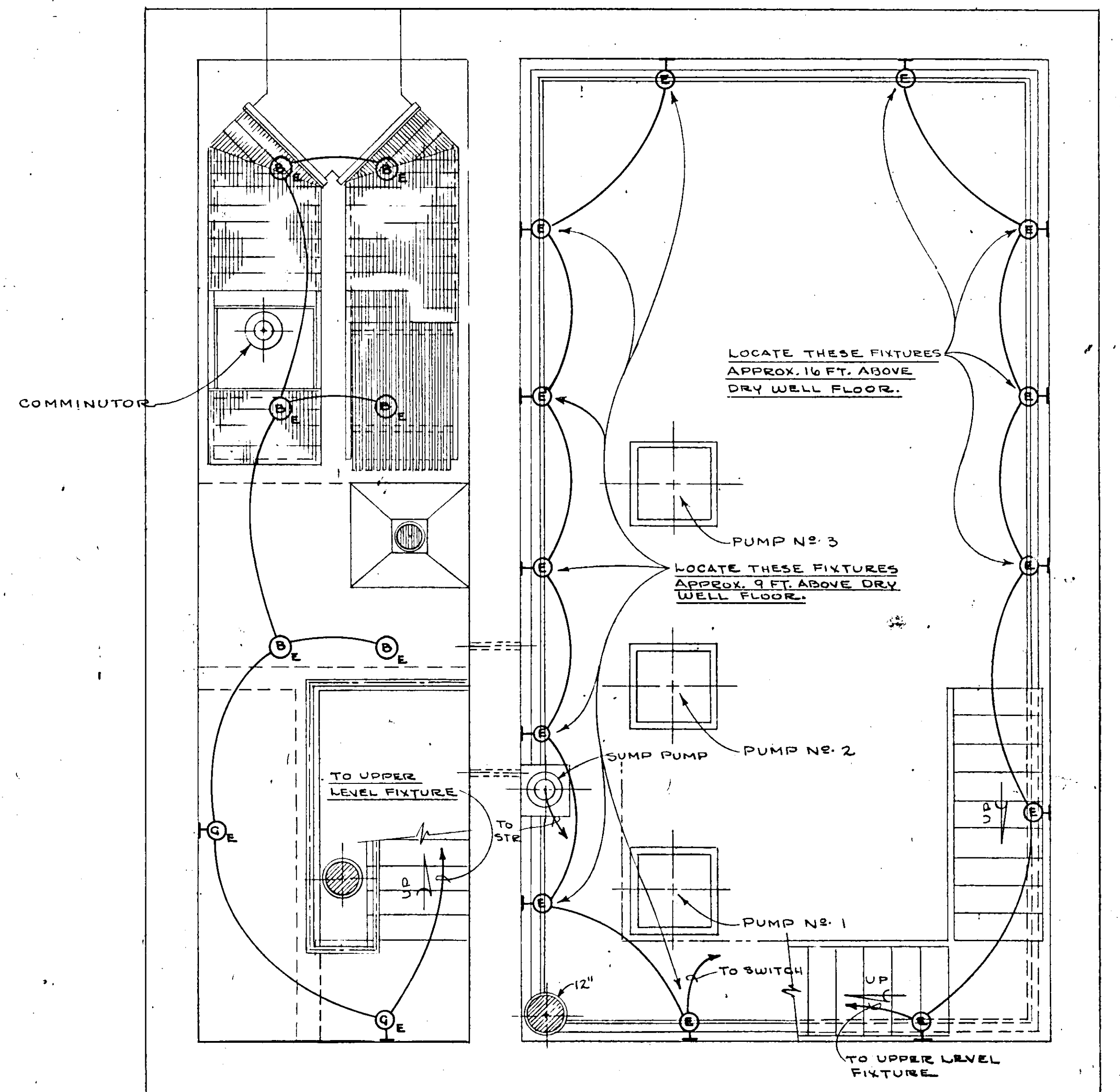


PLAN



ELEVATION

OPERATING FLOOR

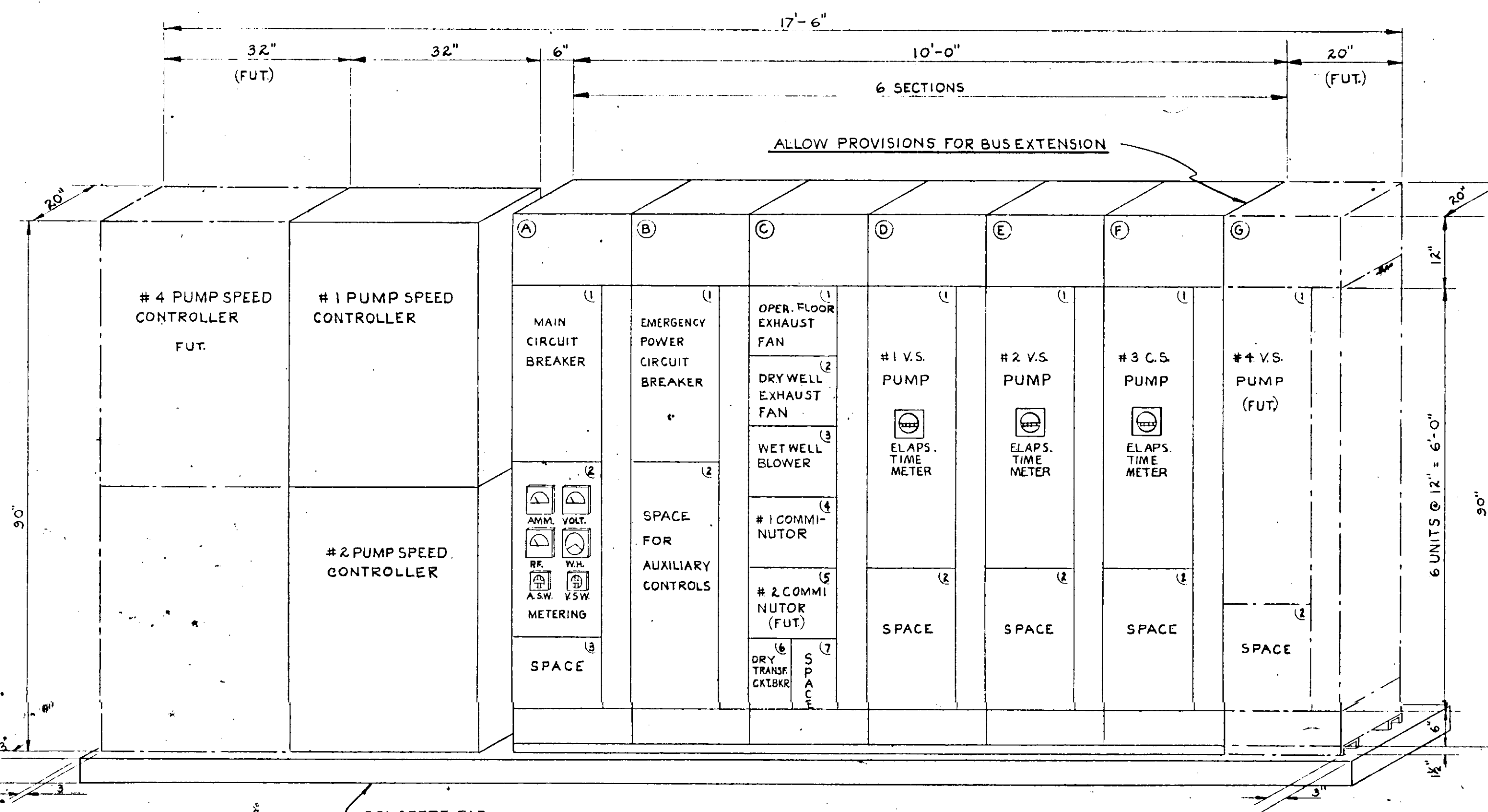
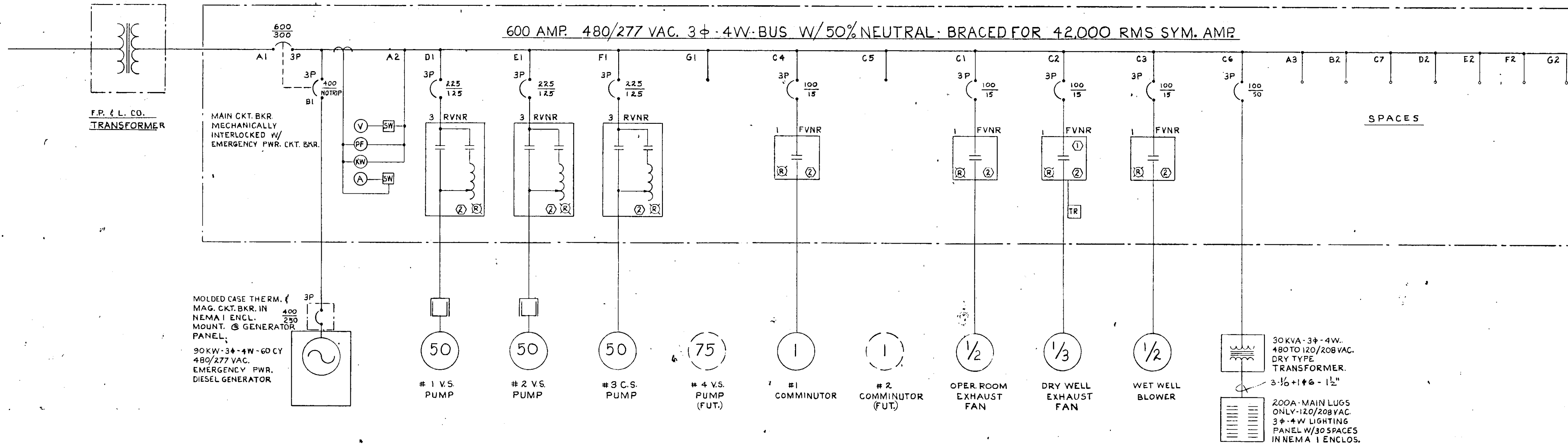


PLAN - DRY WELL & WET WELL

NO.	DATE	DESCRIPTION	BY	CKD.
REVISIONS				
RUSSELL & AXON Consulting Engineers, Incorporated DAYTONA BEACH, FLA. ST. LOUIS, MO.				
SANITARY SEWERAGE PROJECT PART A SECTION III - SEWAGE LIFT STATIONS STA.#5 - ELECTRICAL - LIGHTING				
MANATEE COUNTY		FLORIDA		
DESIGNED BY G.B.A.	FILE NO. 6681-8b	<div style="border: 1px solid black; padding: 5px; display: inline-block;"> SEAL No 9522 STATE OF FLORIDA REGISTERED PROFESSIONAL ENGINEER </div>		
DRAWN BY RLJ/WRY	SHEET OF 45			
CHECKED BY S.H. J.W.C.	No. 17			
DATE DEC. 1971	SCALE: 3/8" = 1'-0"			

17-01

MOTOR CONTROL CENTER - SINGLE LINE DIAGRAM



PUMP SPEED CONTROL - OUTLINE

MOTOR CONTROL CENTER - OUTLINE

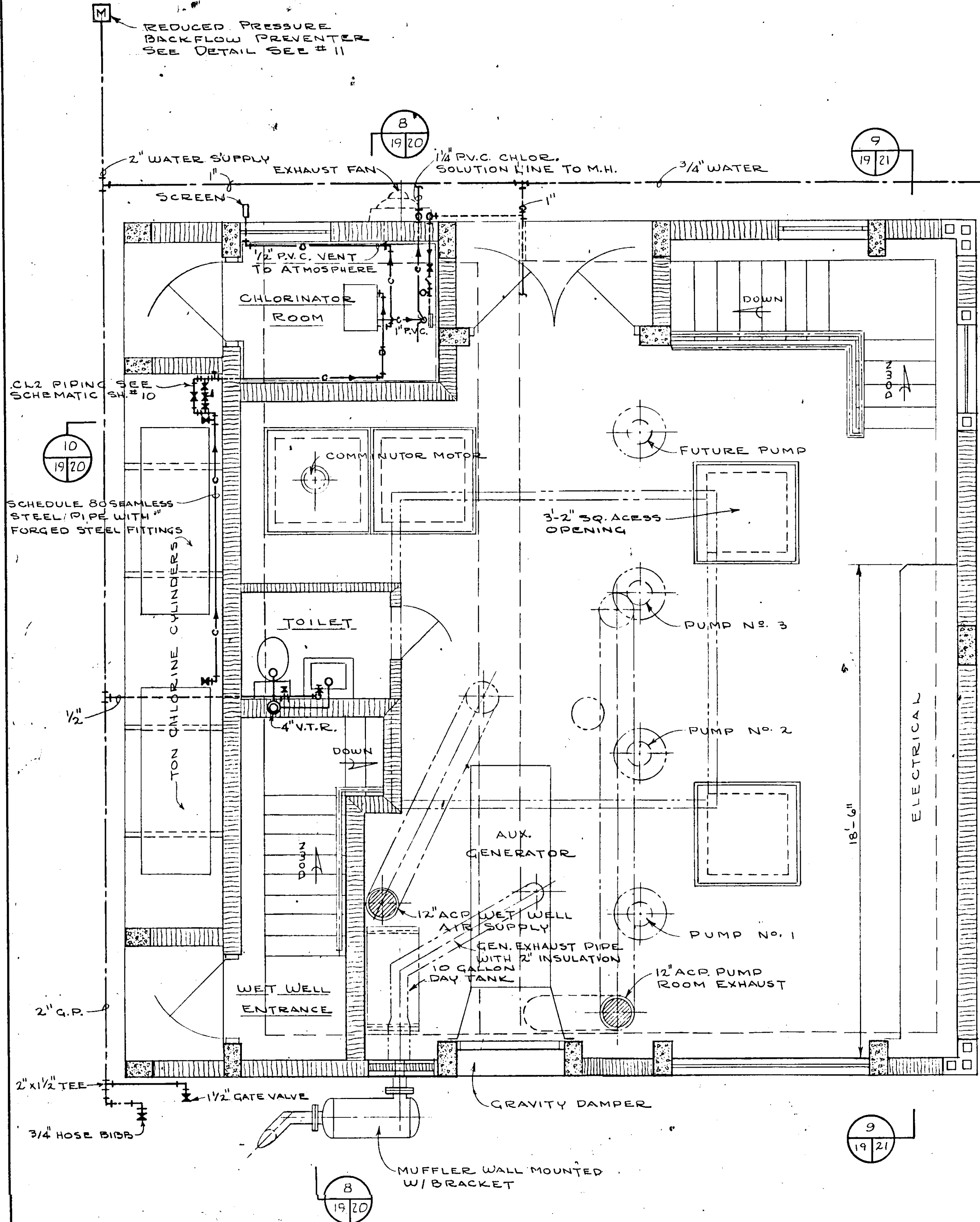
CKT. BKRS. A1 & B1 TO BE MECHANICALLY INTERLOCKED TO PREVENT INDEPENDENT OPERATION.
(WHEN ONE BKR. IS IN CLOSE POSITION, THE OTHER MUST STAY IN OPEN POSITION AND VICE-VERSA.)

MCC SECT.		UNIT	LOAD	CIRC. BREAKER		MOT. STARTER		MODIFICATIONS										WIRING	COND.	SERVICE		
	Nº	HP	KVA	POLES	FRAME	TRIP	POLES	SIZE	TYPE	COIL VOLT.	PILOT LIGHT	SELECT SW.	P.B. STA.	INTERLOCKS	CONTR. RELAY	C.T.	AMM	PHASES	NEUT.			
A	1	---	---	3	600	300	---	---	---	---	---	---	---	---	---	---	---	3#12	1#8	3#2 1/2"	MAIN CKT. BKR.	
	2	---	---	---	---	---	---	---	---	---	---	---	---	---	---	---	---	---	---	---	---	METERING EQUIP. SPACE
B	1	---	135	3	400	NOTRIP	---	---	---	---	---	---	---	---	---	---	---	3#12	1#4	2"	EMERG PWR. CKT. BKR.	
	2	---	---	---	---	---	---	---	---	---	---	---	---	---	---	---	---	---	---	---	---	SPACE FOR AUX. CONTROLS
C	1	1/2	1	3	100	15	3	1	FVNR	120	YES	---	---	---	---	---	---	3#12	1#8	3/4"	OPER. FLOOR EXH. FAN	
	2	1/3	1	3	100	15	---	---	---	---	---	HOA	---	---	---	---	---	3#12	1#8	3/4"	DRY WELL EXH. FAN	
	3	1/2	1	3	100	15	---	---	---	---	---	---	---	---	---	---	---	3#12	1#8	3/4"	WET WELL BLOWER	
	4	1	2	3	100	15	---	---	---	---	---	---	---	---	---	---	---	3#12	1#8	3/4"	#1 COMMUNICATOR	
	5	1	2	---	---	---	---	---	---	---	---	---	---	---	---	---	---	---	---	---	---	#2 COMMUNICATOR (FUTURE)
	6	30	36	3	100	50	---	---	---	---	---	---	---	---	---	---	---	3#8	1#2	1"	DRY TRANSFORMER CKT. BKR.	
	7	---	---	---	---	---	---	---	---	---	---	---	---	---	---	---	---	---	---	---	---	SPACE
D	1	50	65	3	225	125	3	3	RVNR	120	YES	---	---	YES	3	2	---	3#4	1#8	1 1/4"	#1 V.S. PUMP	
	2	---	---	---	---	---	---	---	---	---	---	---	---	---	---	---	---	---	---	---	---	SPACE
E	1	50	65	3	225	125	3	3	RVNR	120	YES	---	---	YES	3	2	---	3#4	1#8	1 1/4"	#2 V.S. PUMP	
	2	---	---	---	---	---	---	---	---	---	---	---	---	---	---	---	---	---	---	---	---	SPACE
F	1	50	65	3	225	125	3	---	RVNR	120	YES	---	---	YES	3	2	---	3#4	1#8	1 1/4"	#3 C.S. PUMP	
	2	---	---	---	---	---	---	---	---	---	---	---	---	---	---	---	---	---	---	---	---	SPACE
G	1	75	96	---	---	---	---	---	---	---	---	---	---	---	---	---	---	---	---	---	---	#4 V.S. PUMP (FUTURE)
	2	---	---	---	---	---	---	---	---	---	---	---	---	---	---	---	---	---	---	---	---	SPACE

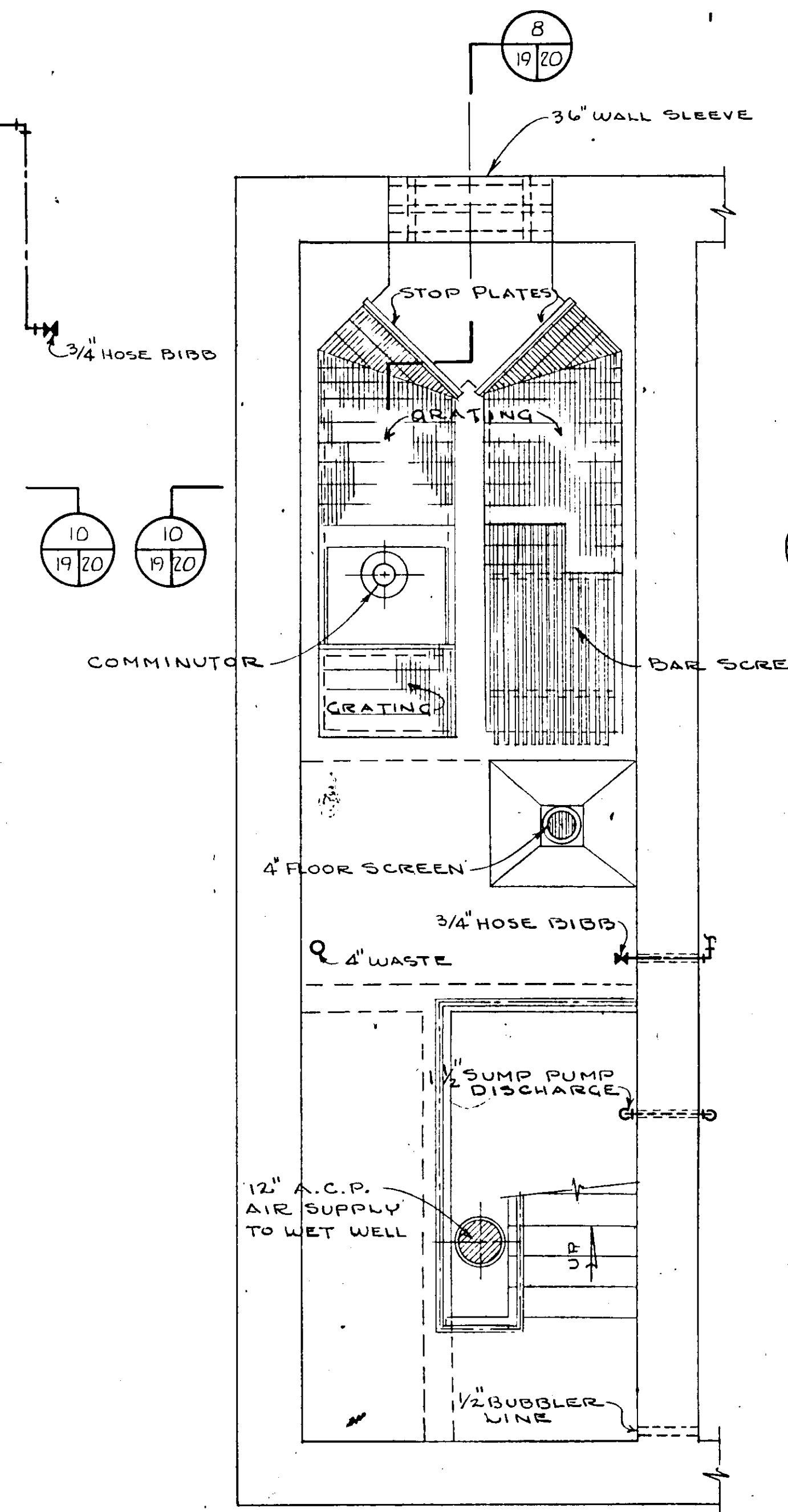
NOTE: ALL CKT. BKRS. IN MCC SHALL HAVE 25,000 RMS SYMMETRICAL AMPS. MIN. INTERRUPTING CAPACITY.

NO.	DATE	DESCRIPTION	BY	CHKD.
REVISIONS				
RUSSELL & AXON Consulting Engineers, Incorporated DAYTONA BEACH, FLA. ST. LOUIS, MO.				
SANITARY SEWERAGE PROJECT PART A SECTION III - SEWERAGE LIFT STATIONS STA. #5 - ELECTRICAL - MOTOR CONTROL				
MANATEE COUNTY		FLORIDA		
DESIGNED BY G.B.A.	FILE NO. 6681 - 8b	SEAL RUSSELL & AXON CONSULTING ENGINEERS DAYTONA BEACH, FLORIDA		
DRAWN BY K.R.M.	SHEET OF 45			
CHECKED BY G.S.H.	NO. 18	SHEETS		
DATE DEC. 1971	SCALE: NONE			

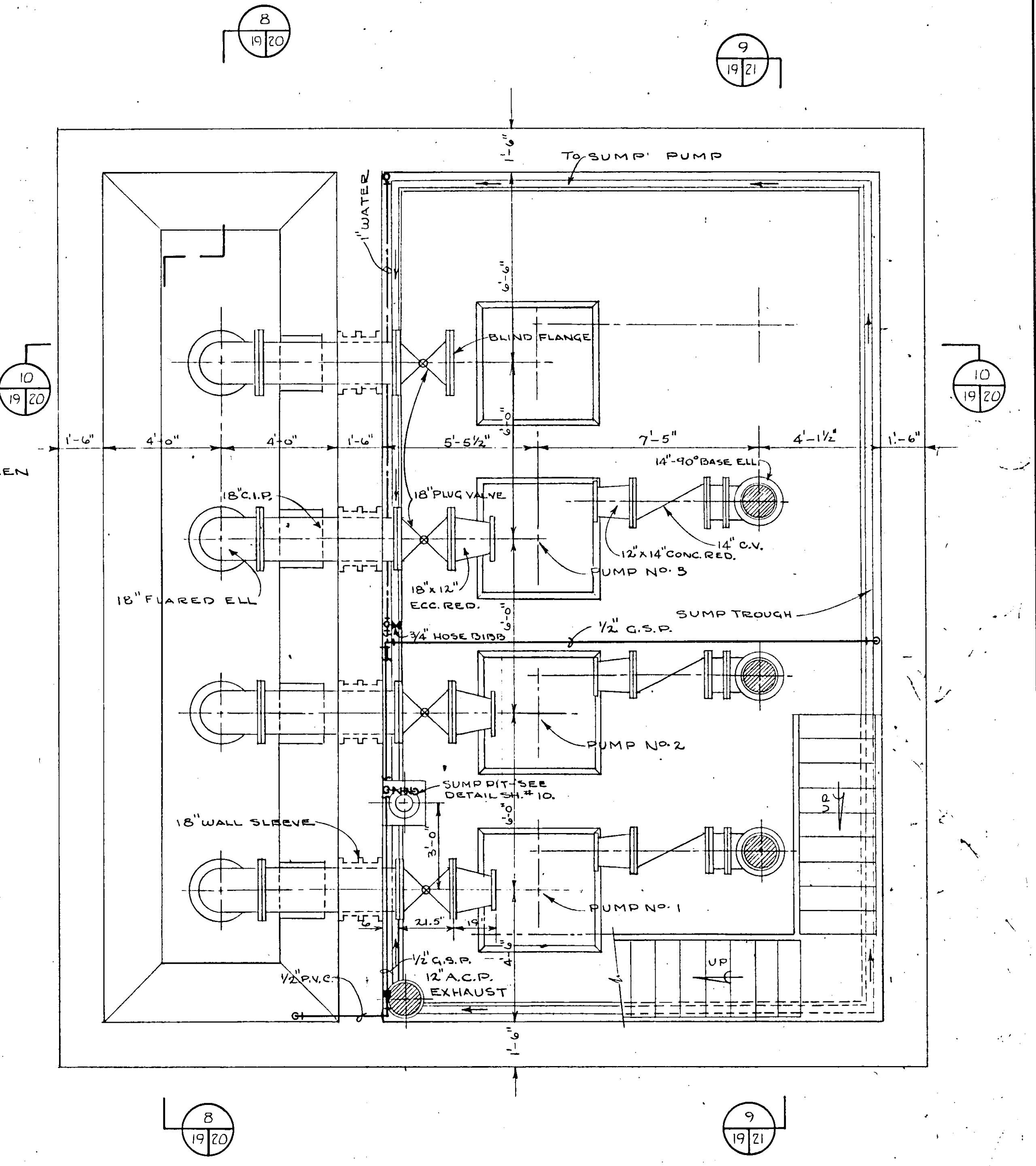
17-01



PLAN - OPERATING FLOOR
SCALE: 3/8 IN. = 1 FT.



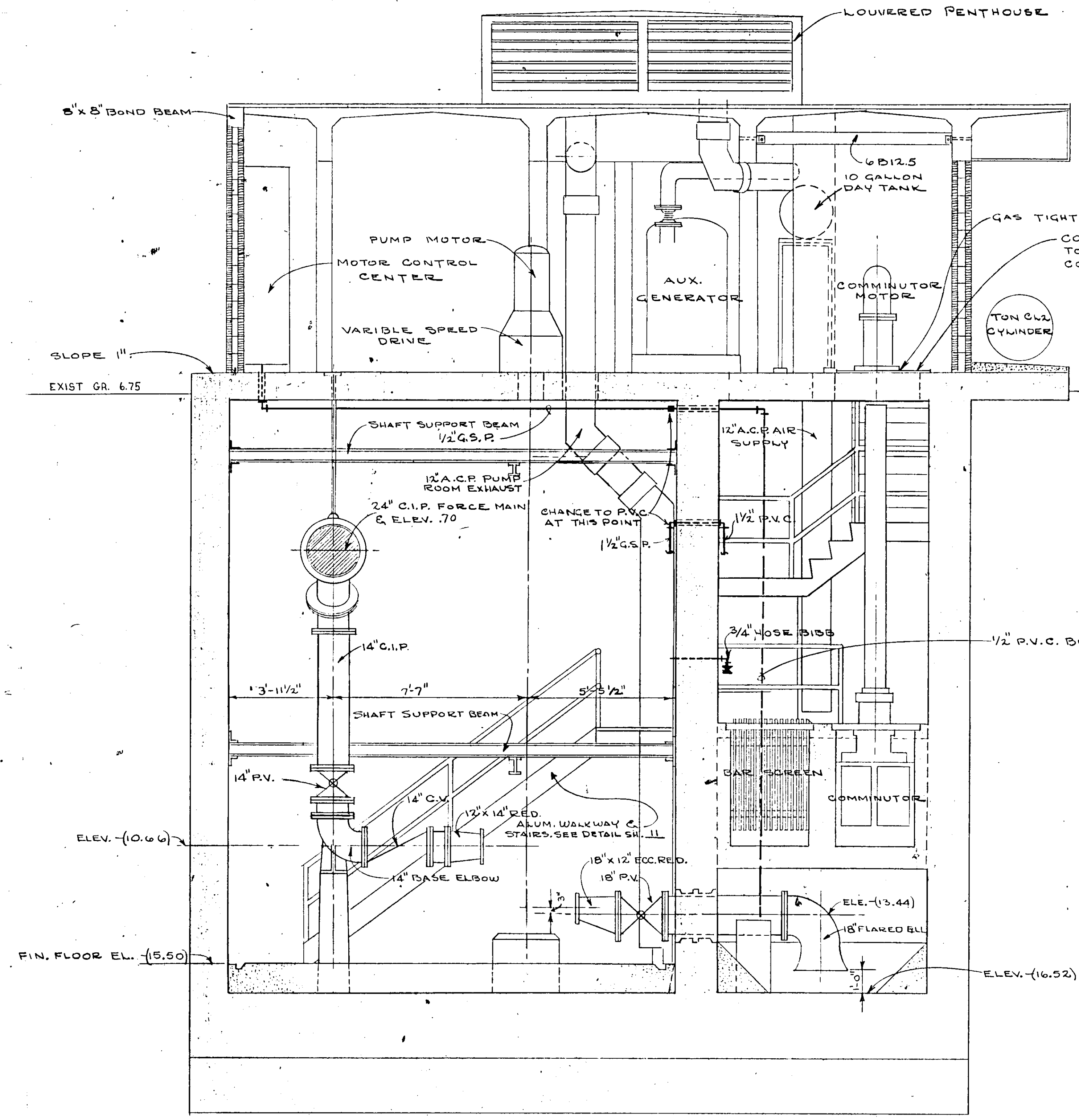
PLAN - WET WELL
INTERMEDIATE LEVEL
SCALE: 3/8 IN. = 1 FT.



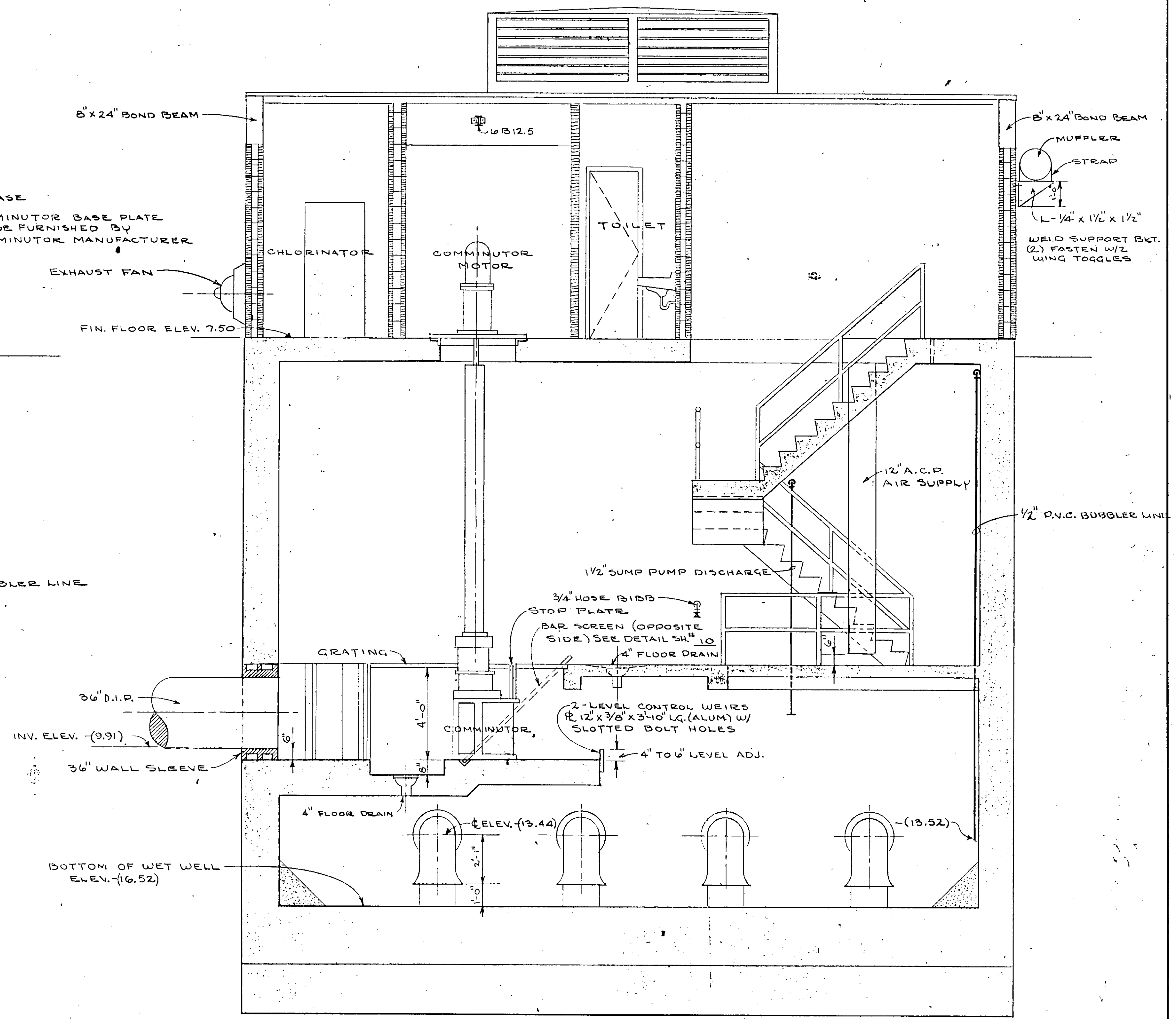
PLAN - PUMP ROOM & WET WELL
SCALE: 3/8 IN. = 1 FT.

NO.	DATE	DESCRIPTION	BY	CHKD.
REVISIONS				
RUSSELL & AXON Consulting Engineers, Incorporated DAYTONA BEACH, FLA. ST. LOUIS, MO.				
SANITARY SEWERAGE PROJECT PART A SECTION III - SEWAGE LIFT STATIONS #1M - MECH. - FLOOR PLAN				
MANATEE COUNTY		FLORIDA		
DESIGNED BY	FILE NO.	SEAL No. 3522 STATE OF FLORIDA REGISTERED ENGINEER		
DRAWN BY	6681-8b			
CHECKED BY	SHEET			
DATE	19			
DEC. 1971	OF 45			
	SCALE: 3/8" = 1'-0"			

17-01



SECTION 10
SCALE 3/8" = 1 FT.



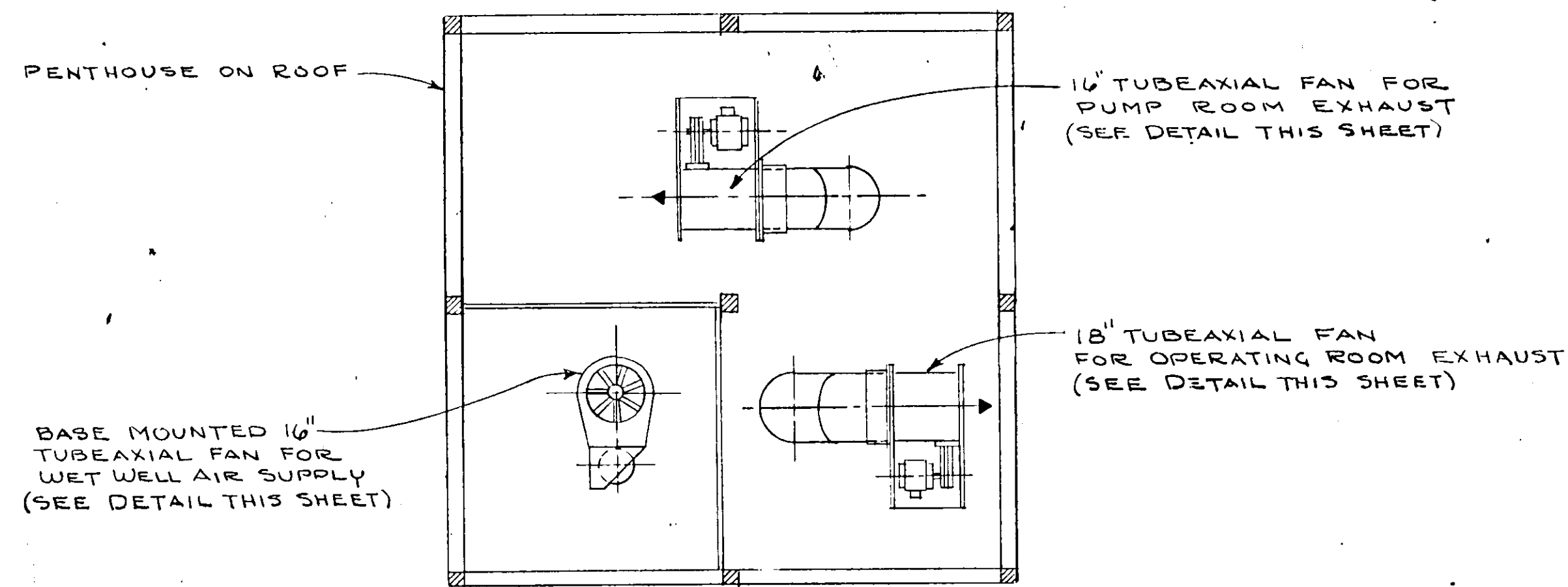
SECTION 8
SCALE 3/8" = 1 FT.

NO.	DATE	DESCRIPTION	BY	CHKD.
2	APR 78	REVISED INVERT ELEVATIONS	HT	SAS
1	AUG 72	REVISED INVERT ELEVATIONS	LES	JWC

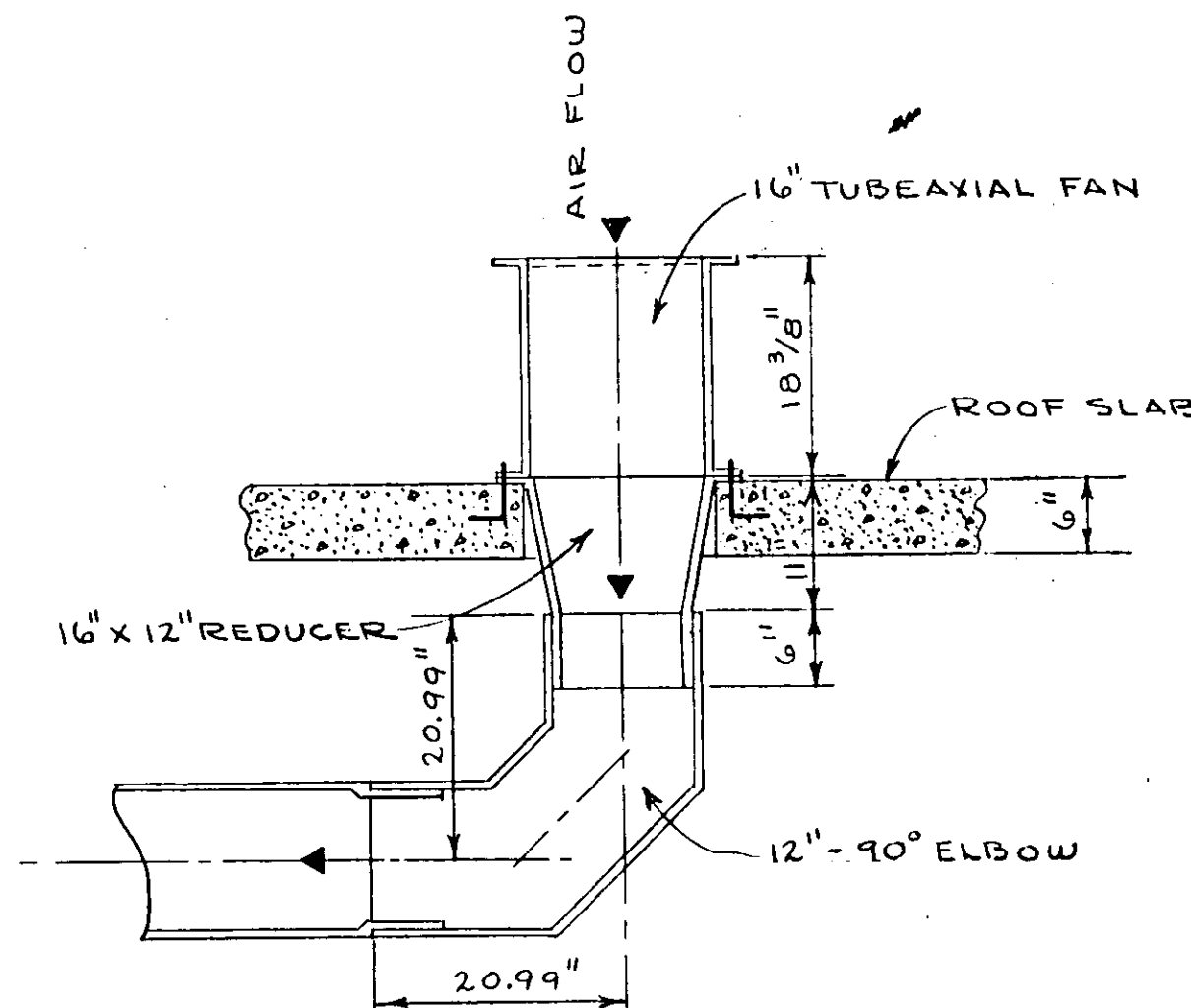
DESIGNED BY		FILE NO.
P.B.C.		6681-8b
DRAWN BY		SHEET
R.L.J.		No. 20
CHECKED BY		OF 45 SHEETS
JWC		
DATE		SCALE: 3/8" = 1'-0"
DEC. 1971		

RUSSELL & AXON Consulting Engineers, Incorporated DAYTONA BEACH, FLA. ST. LOUIS, MO.	
SANITARY SEWERAGE PROJECT PART A SECTION III - SEWAGE LIFT STATIONS # IM - MECH - SECTIONS	
MANATEE COUNTY	FLORIDA

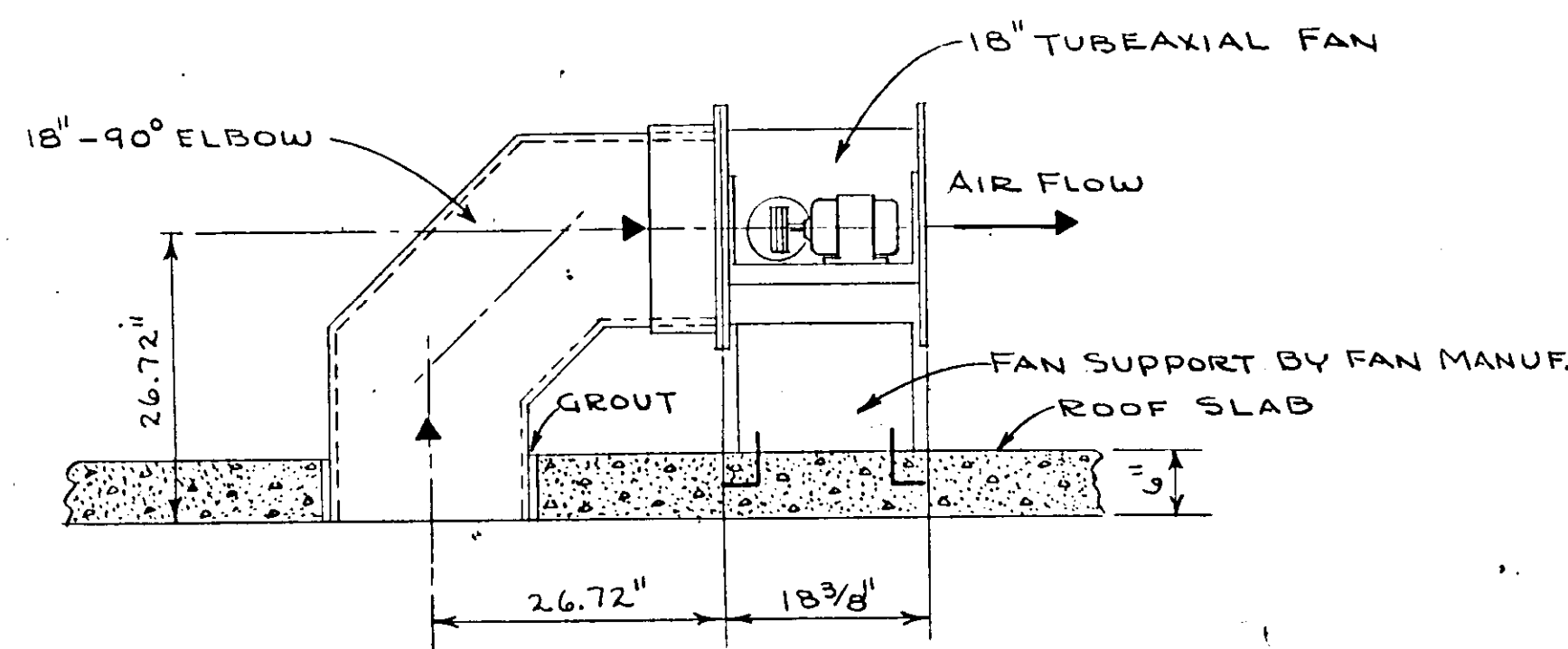
17-01



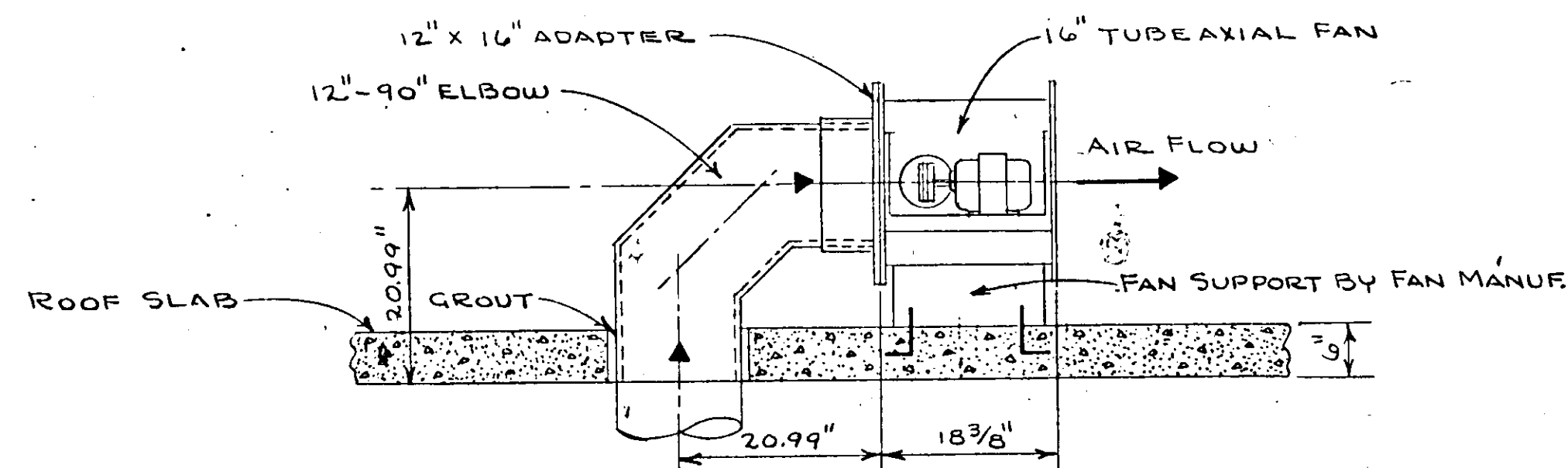
SECTION 11
SCALE 3/8" = 1'-0"



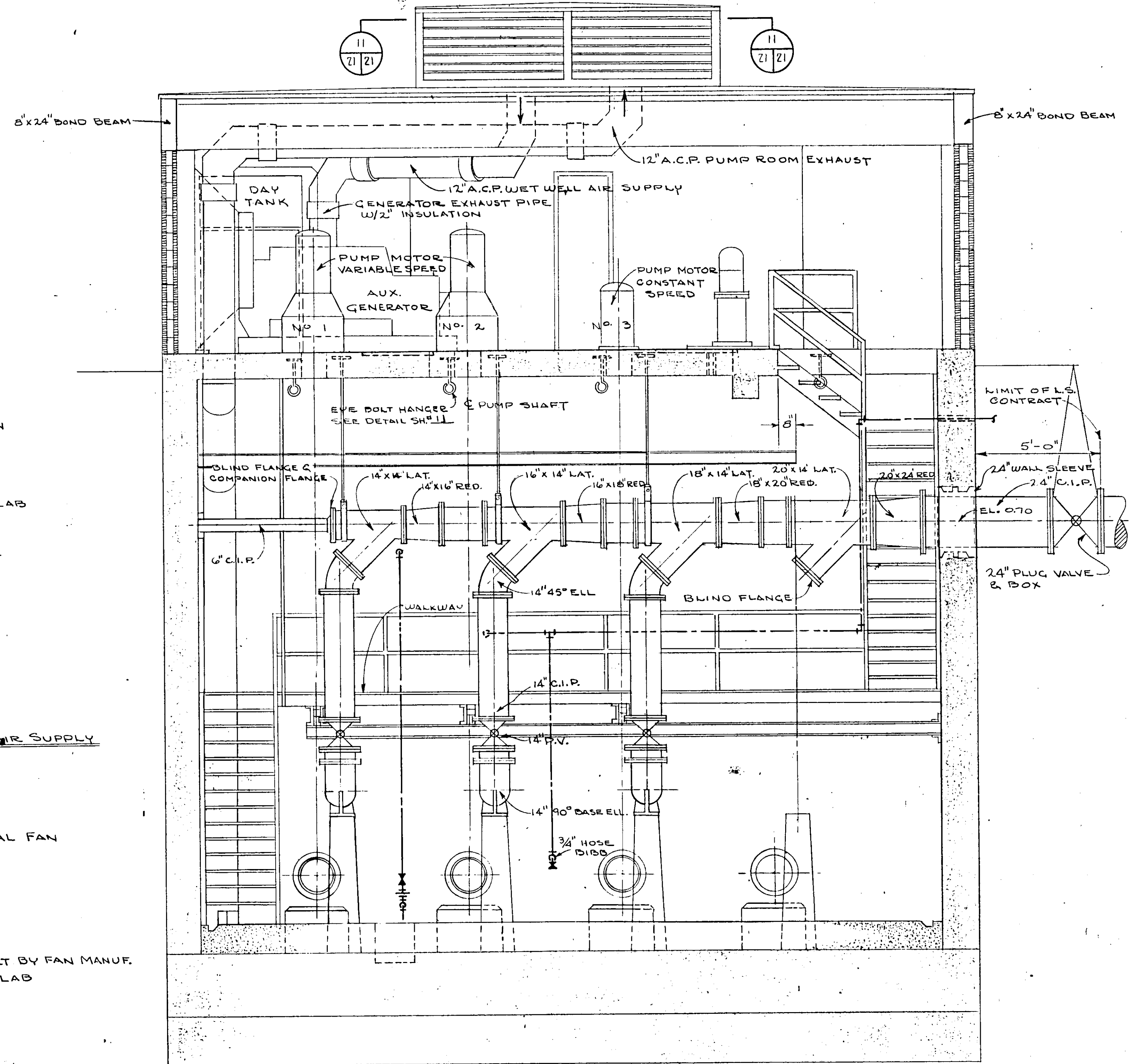
DETAIL - TUBEAXIAL FAN FOR WET WELL AIR SUPPLY
SCALE 3/4" = 1'-0"



DETAIL - TUBEAXIAL FAN FOR OPERATING ROOM EXHAUST
SCALE 3/4" = 1'-0"



DETAIL - TUBEAXIAL FAN FOR PUMP ROOM EXHAUST
SCALE 3/4" = 1'-0"



SECTION 9
SCALE 3/8" = 1'-0"

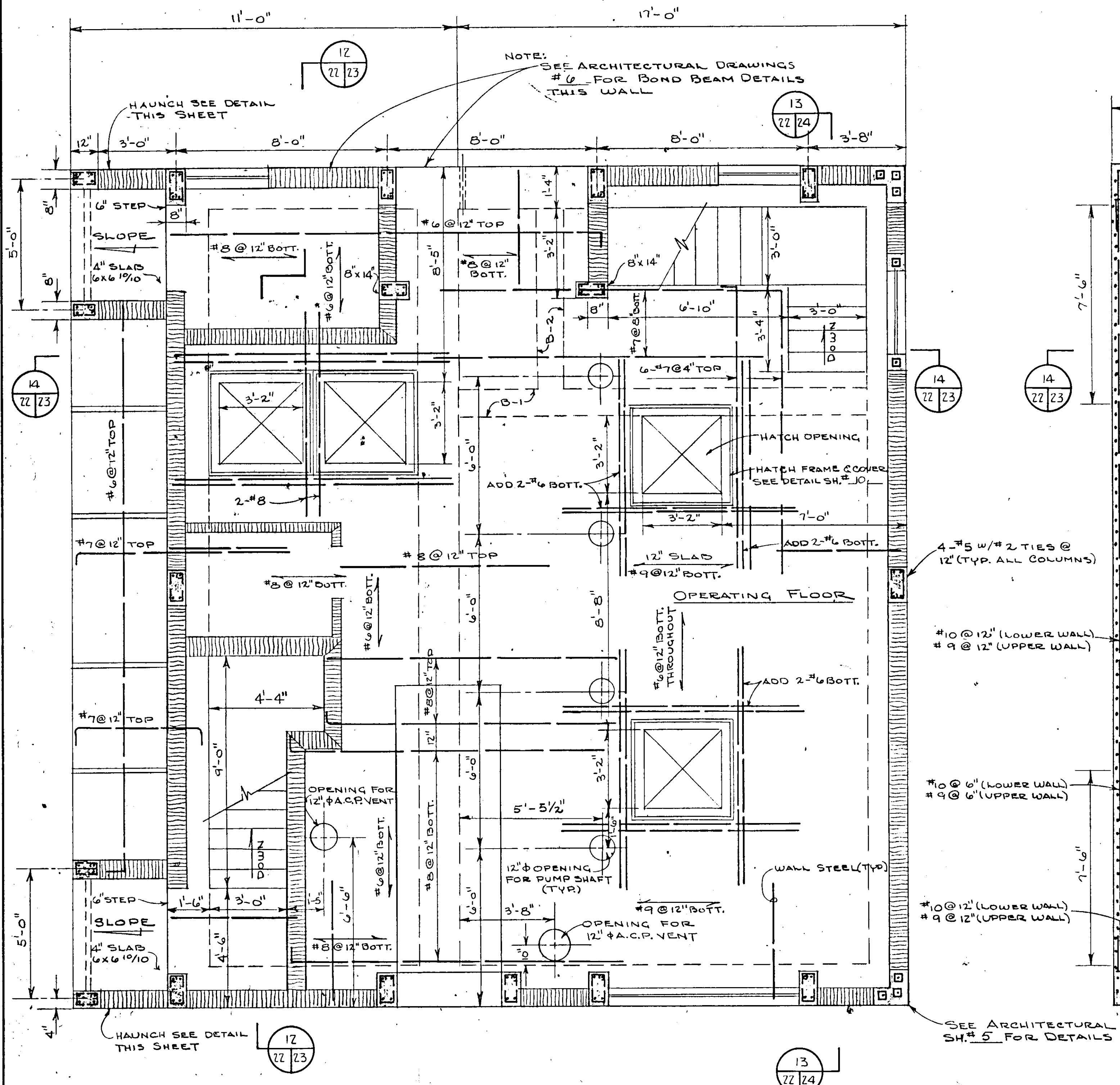
19 21

PUMPS SEQUENCE: INITIALLY STAGE 2 VARIABLE SPEED PUMPS 1 SPARE CONSTANT SPEED

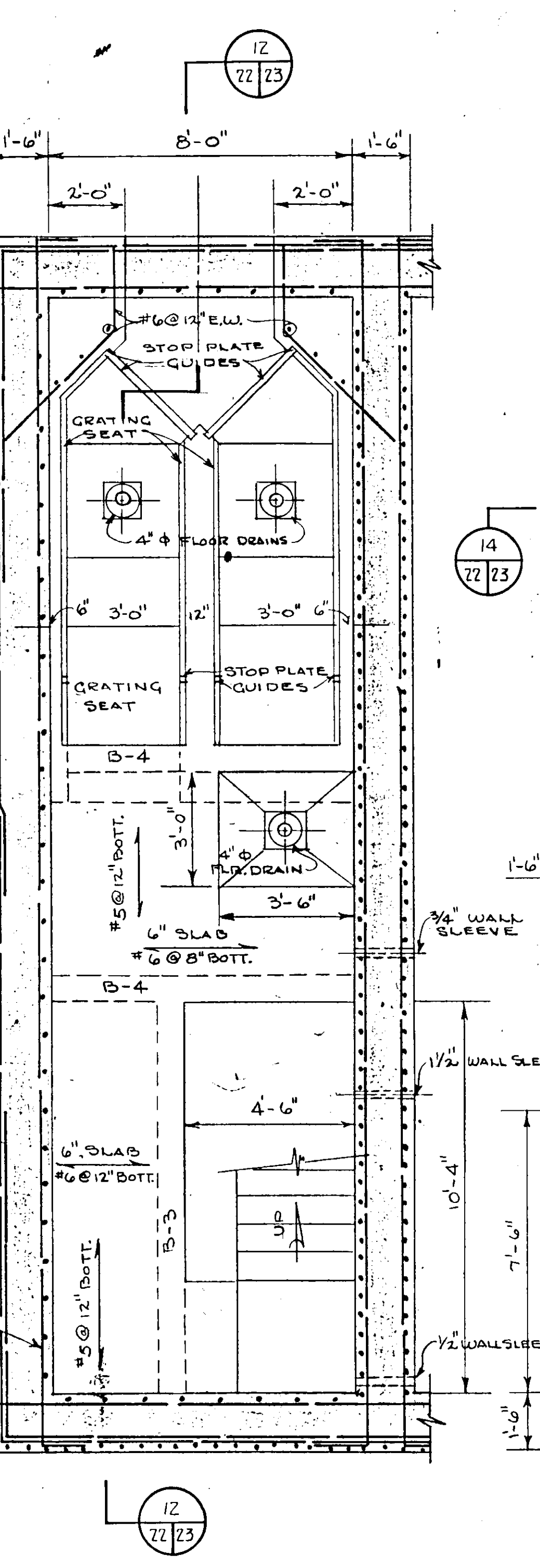
FUNCTION	ELEV. ON RISING LEVEL (READ UP)	ELEV. ON FALLING LEVEL (READ DOWN)	FUNCTION FALLING DOWN
HIGH LEVEL ALARM	-(6.70)	↓	
PUMPS NO. 1, 2, & 3. RUN AT FULL SPEED	-(7.25) TO -(6.70)		
NORMAL H.W. LEVEL START PUMP NO. 3 PUMP NO. 1 & 2 RUN AT FULL SPEED	-(7.25)	-(7.25) TO -(8.75)	ALL PUMPS ON TO RUN AT FULL SPEED
INCREASE PUMPS NO. 1 & 2 TO MAXIMUM SPEED	-(8.75) TO -(8.00)		
START PUMP 2 (VARIABLE) 690 R.P.M. AND ADJUST PUMP NO. 1 TO 690 R.P.M.	-(8.75)	-(8.75)	STOP PUMP NO. 3 PUMPS NO. 1 & 2 TO RUN AT FULL SPEED
INCREASE PUMP NO. 1 TO MAXIMUM SPEED	-(9.50) TO -(8.75)	-(8.75) TO -(9.50)	DECREASE PUMPS NO. 1 & 2 SPEED TO 850 R.P.M.
START PUMP NO. 1 (VARIABLE)	-(9.50)	-(9.50)	STOP PUMP NO. 2 NO. 1 RUNS AT FULL SPEED
		-(9.50) TO -(7.25)	DECREASE PUMP NO. 1 TO MIN. SPEED
NORMAL LOW WATER LEVEL	-(12.25)	-(12.25)	STOP PUMP NO. 1
NOTE: MAX. R.P.M. 850 MIN. R.P.M. 600		-(12.75)	LOW LEVEL ALARM

NO.	DATE	DESCRIPTION	BY	CKD.
REVISIONS				
RUSSELL & AXON Consulting Engineers, Incorporated DAYTONA BEACH, FLA. ST. LOUIS, MO.				
SANITARY SEWERAGE PROJECT PART A SECTION III - SEWAGE LIFT STATIONS #1M - MECH. SECTIONS				
MANATEE COUNTY		FLORIDA		
DESIGNED BY R.B.C.	FILE NO. 6681-8b	SEAL No. 9522 STATE OF FLORIDA		
DRAWN BY R.L.J.	SHEET No. 21			
CHECKED BY J.W.C.	OF 45 SHEETS			
DATE DEC. 1971	SCALE: 3/8" = 1'-0"			

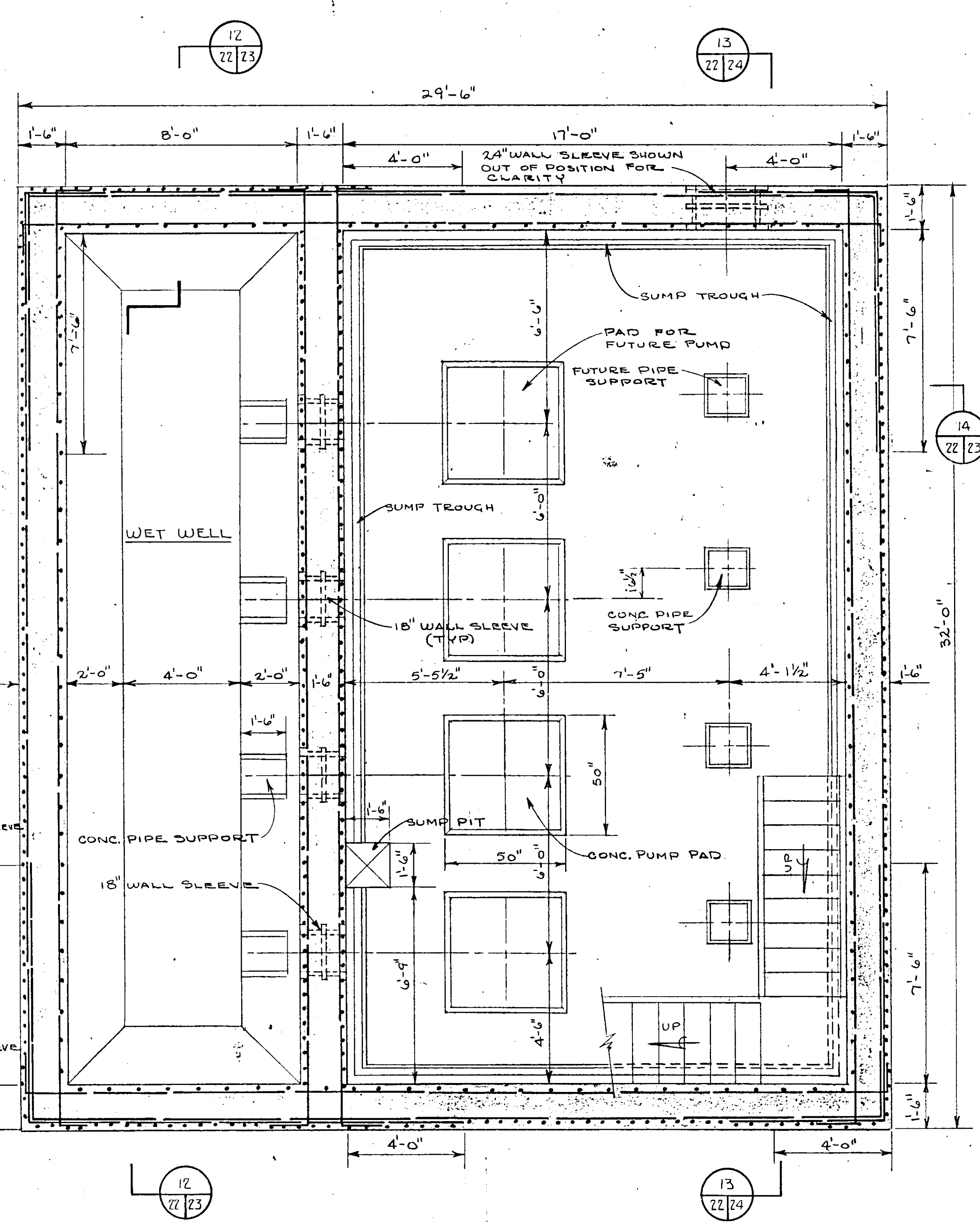
17-01



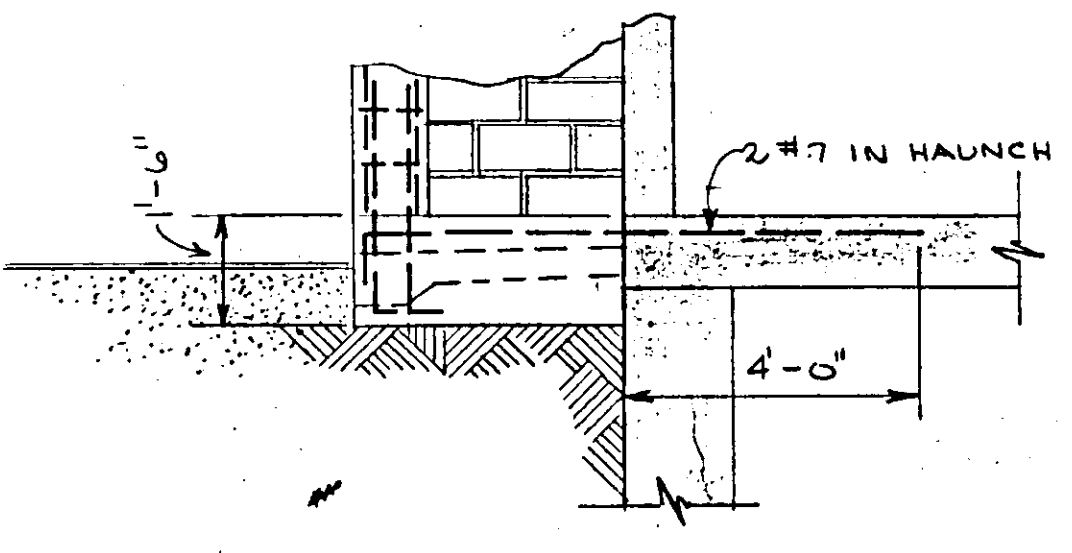
PUMP OPERATING FLOOR
SCALE 3/8" = 1'-0"



PLAN WET WELL
SCALE 3/8" = 1'-0"



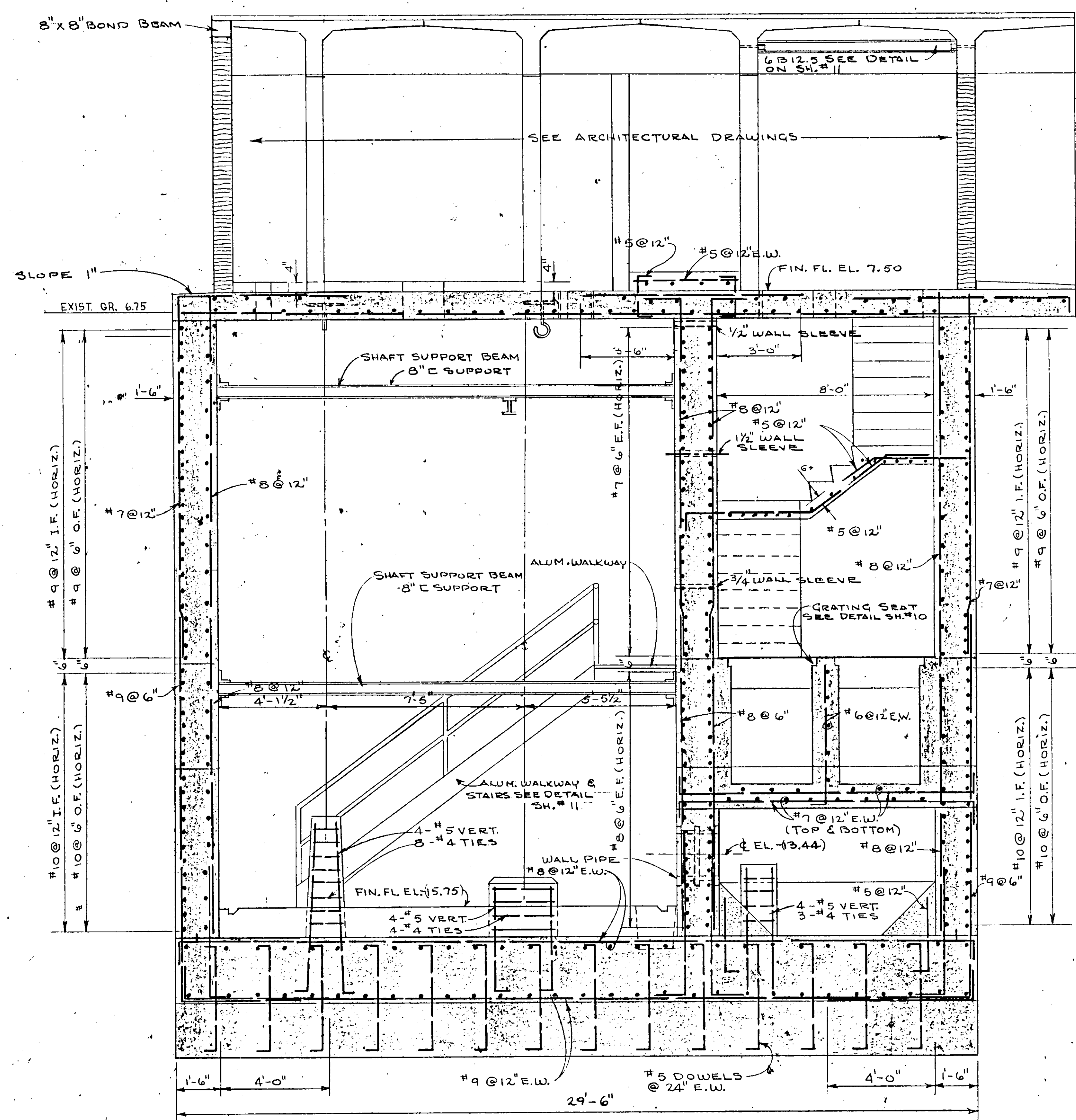
PLAN PUMP ROOM & WET WELL
SCALE 3/8" = 1'-0"



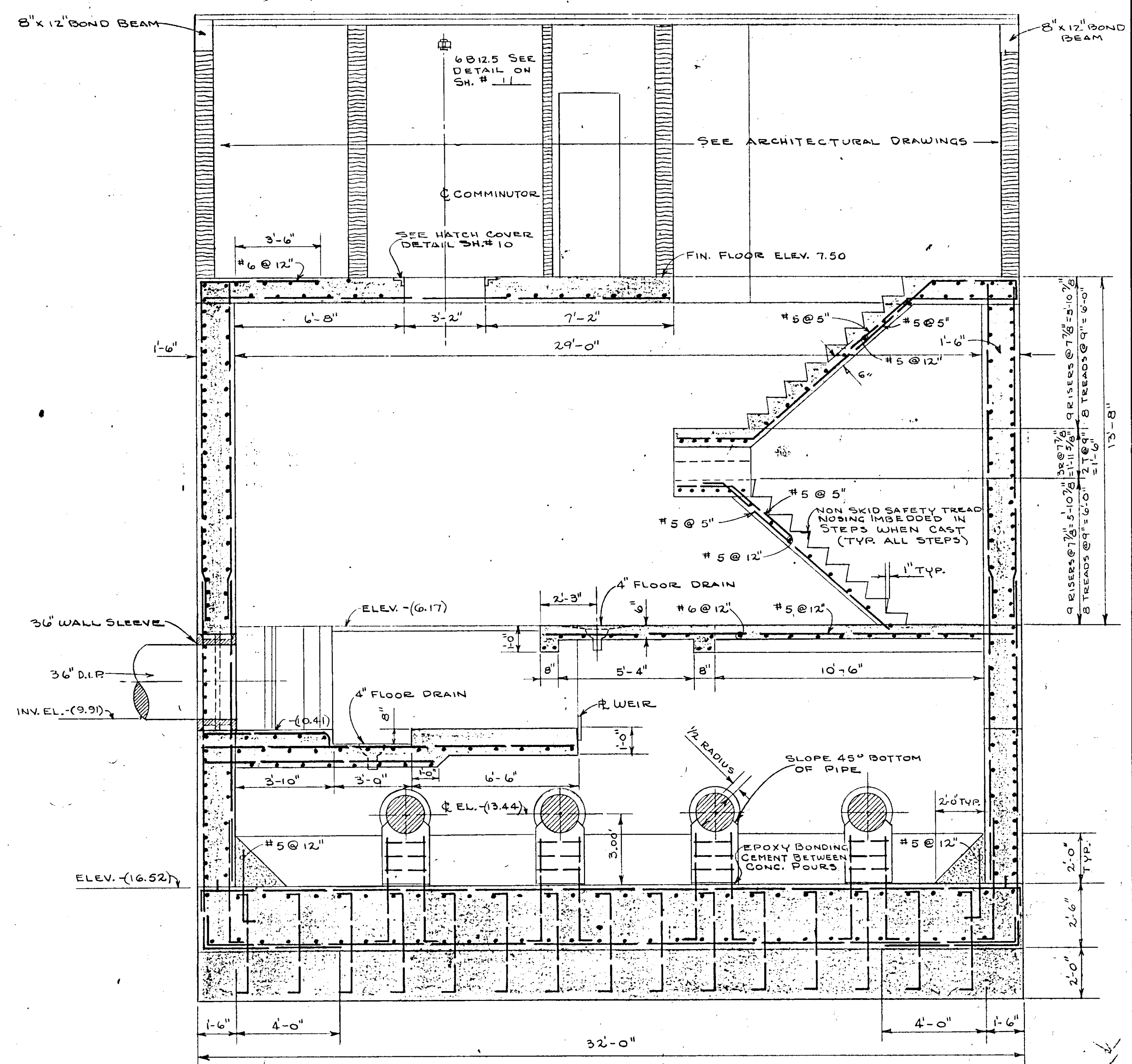
HAUNCH DETAIL
SCALE 3/8" = 1'-0"

NO.	DATE	DESCRIPTION	BY	CKD.
REVISIONS				
RUSSELL & AXON Consulting Engineers, Incorporated DAYTONA BEACH, FLA. ST. LOUIS, MO.				
SANITARY SEWERAGE PROJECT PART A SECTION III - SEWAGE LIFT STATIONS #1M - STRUCT. - FLOOR PLAN				
MANATEE COUNTY			FLORIDA	
DESIGNED BY:	J.T.S.	FILE NO.	6681-8b	
DRAWN BY:	R.L.J.	SHEET	22	
CHECKED BY:	JWC	OF 45 SHEETS		
DATE	DEC. 1971	SCALE: 3/8" = 1'-0"		

17-01



SECTION 14
SCALE 3/8" = 1'-0"



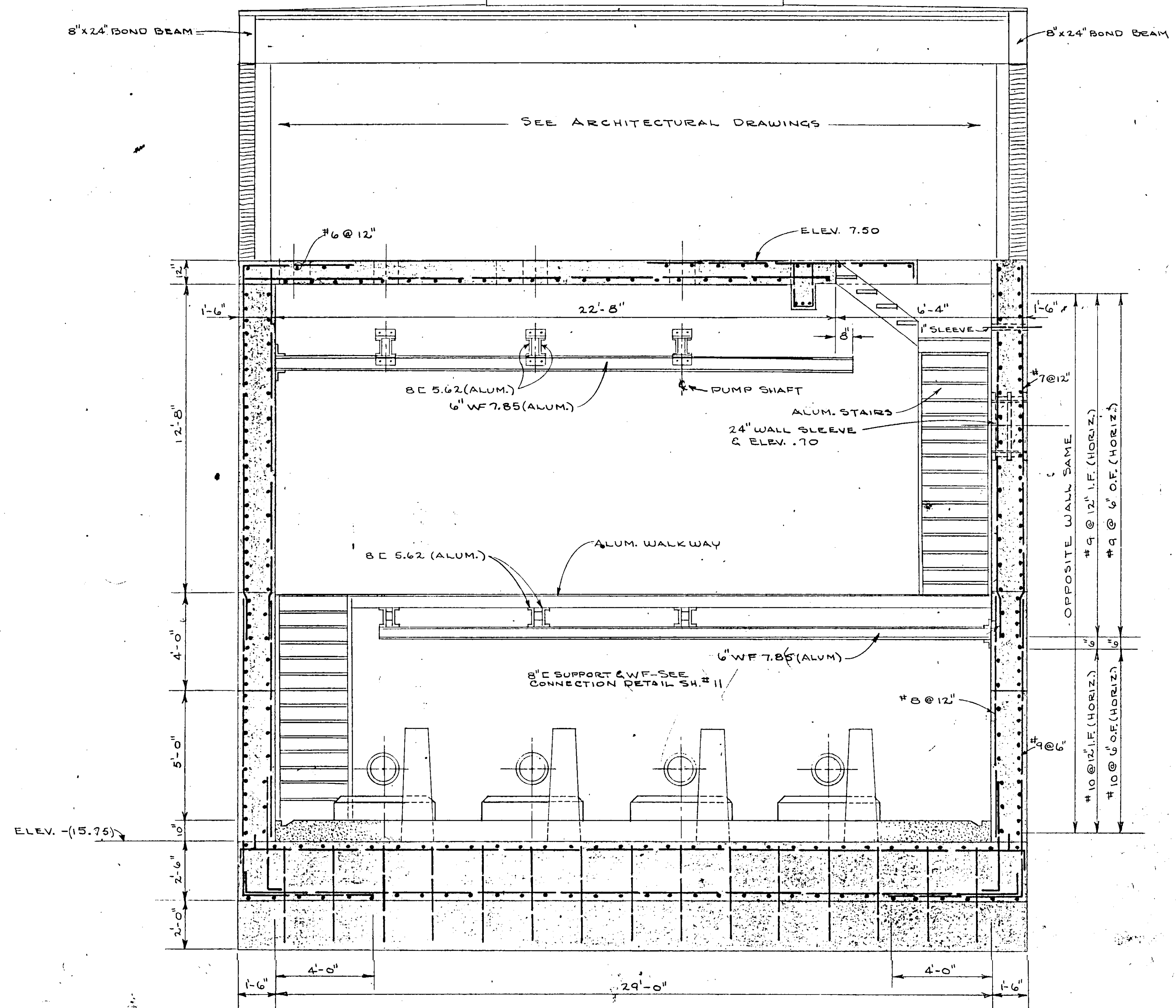
SECTION 12
SCALE 3/8" = 1'-0"

NO.	DATE	DESCRIPTION	BY	CHKD.
2	APR '73	REVISED INVERT ELEVATIONS	HT	SAS
1	AUG '72	REVISED INVERT ELEVATIONS	LEB	JWC

DESIGNED BY J.T.S.		FILE NO. 6681-8b
DRAWN BY R.L.J.		SHEET No. 23
CHECKED BY M.JWC		OF 45 SHEETS
DATE DEC. 1971	SCALE: 3/8" = 1'-0"	

RUSSELL & AXON Consulting Engineers, Incorporated DAYTONA BEACH, FLA. ST. LOUIS, MO.	
SANITARY SEWERAGE PROJECT PART A SECTION III - SEWAGE LIFT STATIONS #1M - STRUCT. - SECTIONS	
MANATEE COUNTY FLORIDA	T-23

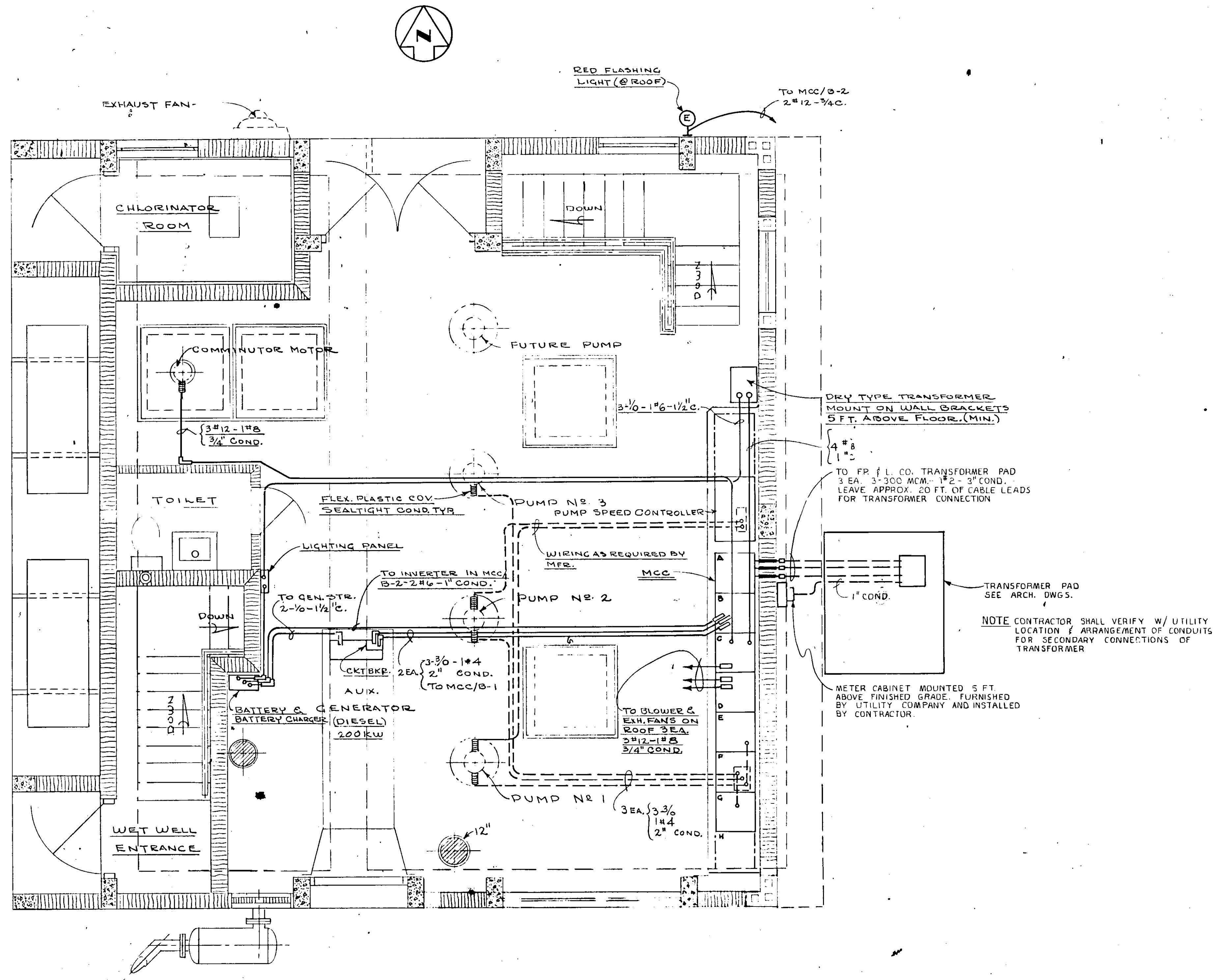
17-01



SECTION 13
SCALE 3/8" = 1'-0" 22 24

NO.	DATE	DESCRIPTION	BY	CKD.
REVISIONS				
RUSSELL & AXON Consulting Engineers, Incorporated DAYTONA BEACH, FLA. ST. LOUIS, MO.				
SANITARY SEWERAGE PROJECT PART A SECTION III - SEWAGE LIFT STATION #1M - STRUCT - SECTIONS				
T-24				
MANATEE COUNTY FLORIDA				
DESIGNED BY J.T.S.	FILE NO. 6681-8b			
DRAWN BY R.L.J.	SHEET			
CHECKED BY JWC	OF 45 SHEETS			
DATE DEC. 1971	SCALE: 3/8" = 1'-0"			

17-a

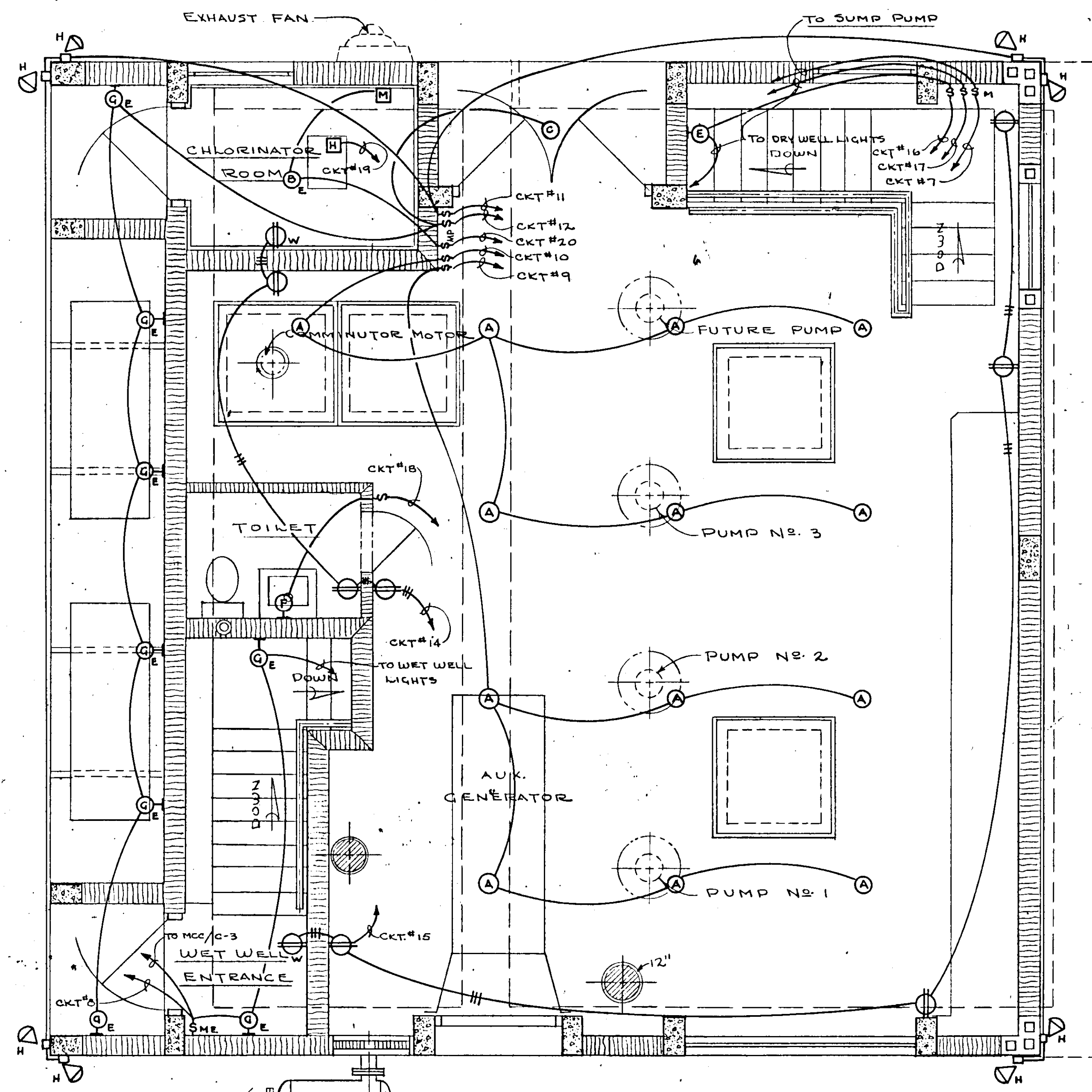


PLAN - OPERATING FLOOR
SCALE: 3/8 IN. = 1 FT.

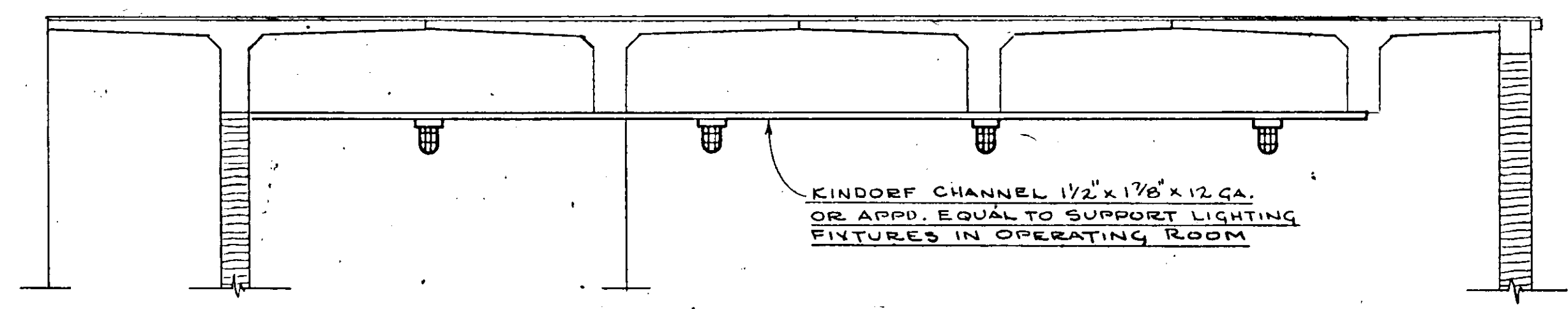
NOTE: RUN DOTTED CONDUITS UNDER FLOOR SLAB
OR UNDERGROUND

NO.	DATE	DESCRIPTION	BY	CKD.
REVISIONS				
RUSSELL & AXON Consulting Engineers, Incorporated DAYTONA BEACH, FLA. ST. LOUIS, MO.				
SANITARY SEWERAGE PROJECT PART A SECTION III - SEWAGE LIFT STATIONS # 1M - ELECTRICAL-WIRING FLOOR PLAN				
MANATEE COUNTY			FLORIDA	
DESIGNED BY G.B.A.	FILE NO. 6681-8b	<div style="border: 1px solid black; padding: 5px; display: inline-block;"> SEAL No. 4522 DEC 1971 </div>		
DRAWN BY RLJ/WRY	SHEET No. 25			
CHECKED BY G.B.A. / J.W. JUC	OF 45 SHEETS			
DATE DEC - 1971	SCALE: 3/8" = 1'-0"			

17-01

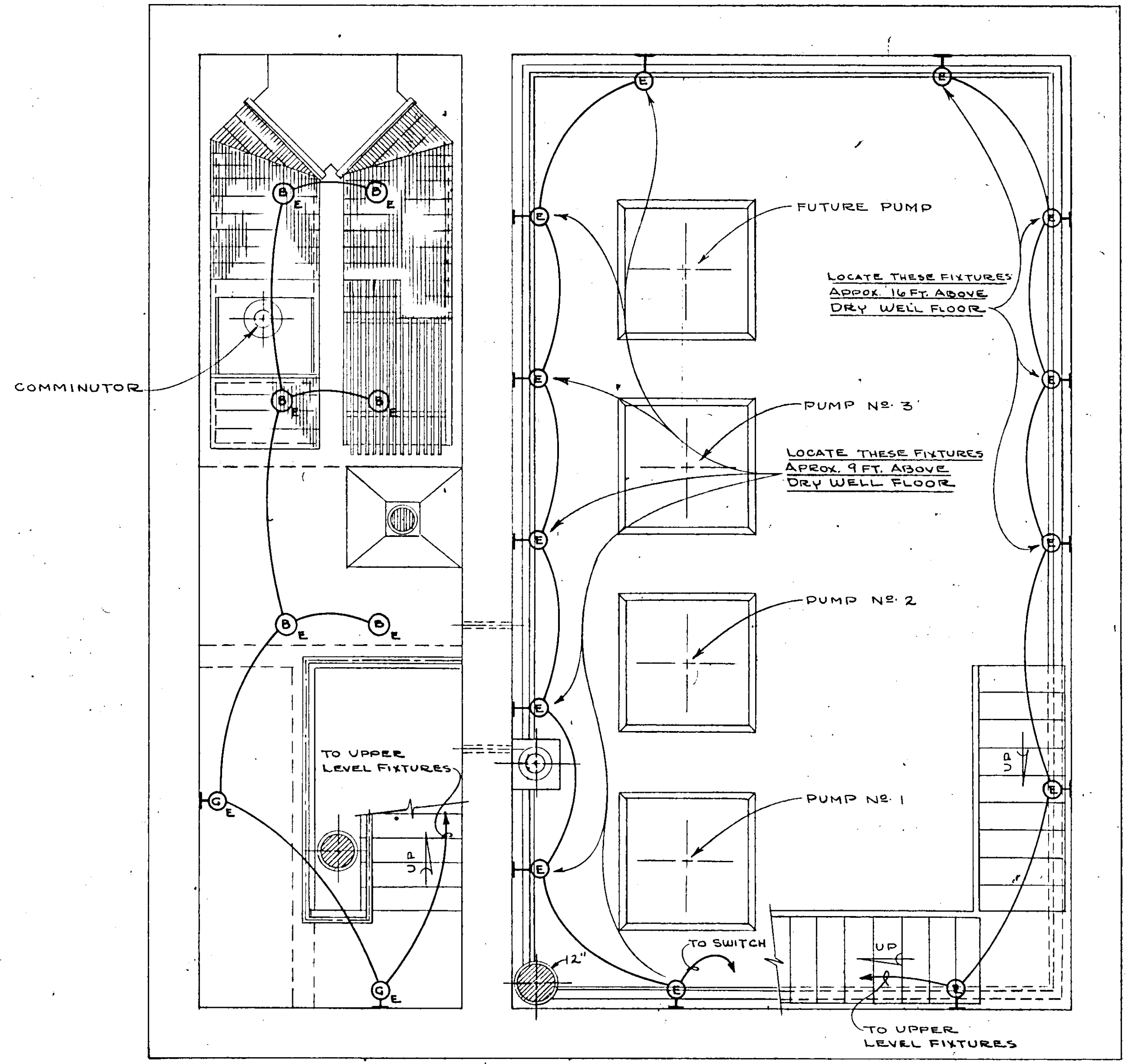


PLAN



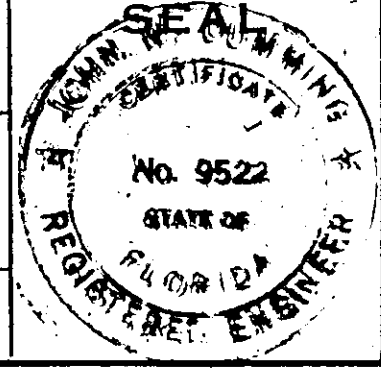
ELEVATION

OPERATING FLOOR



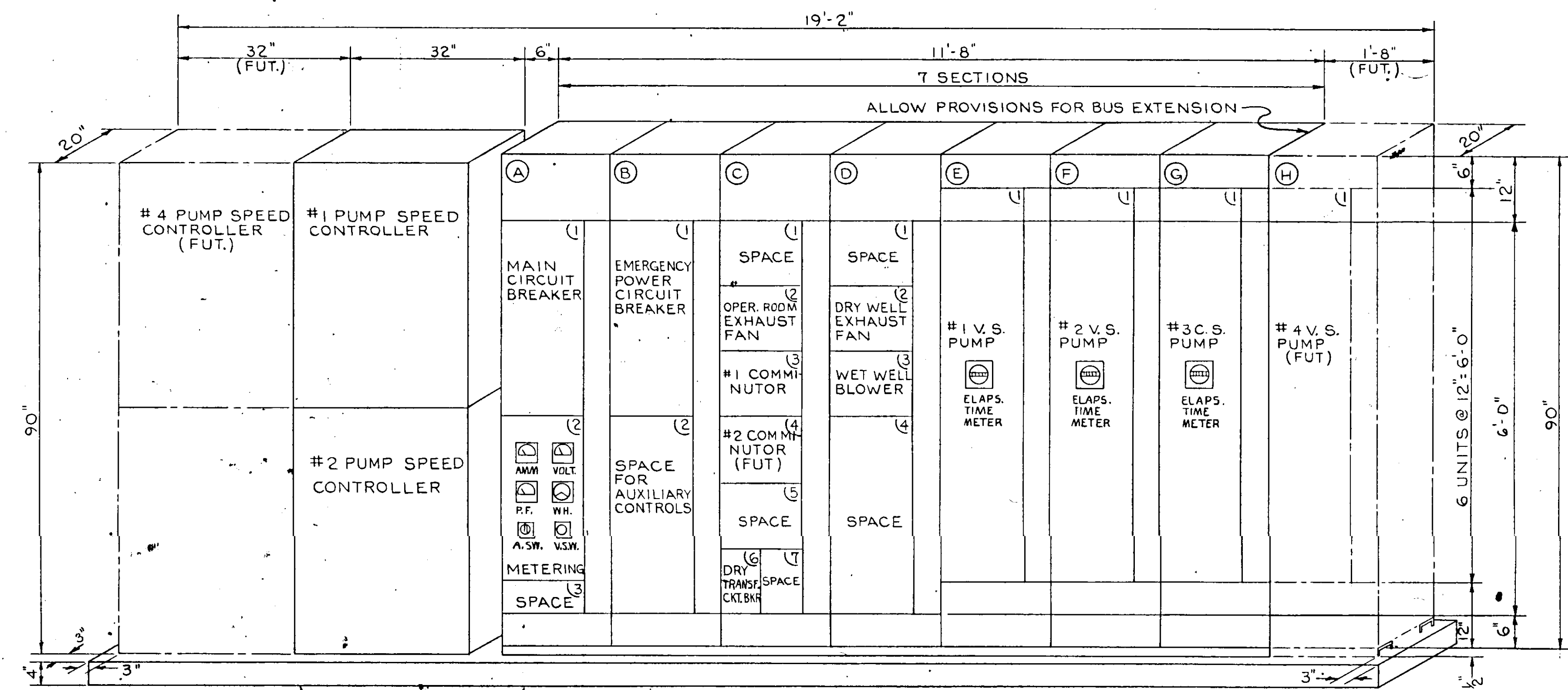
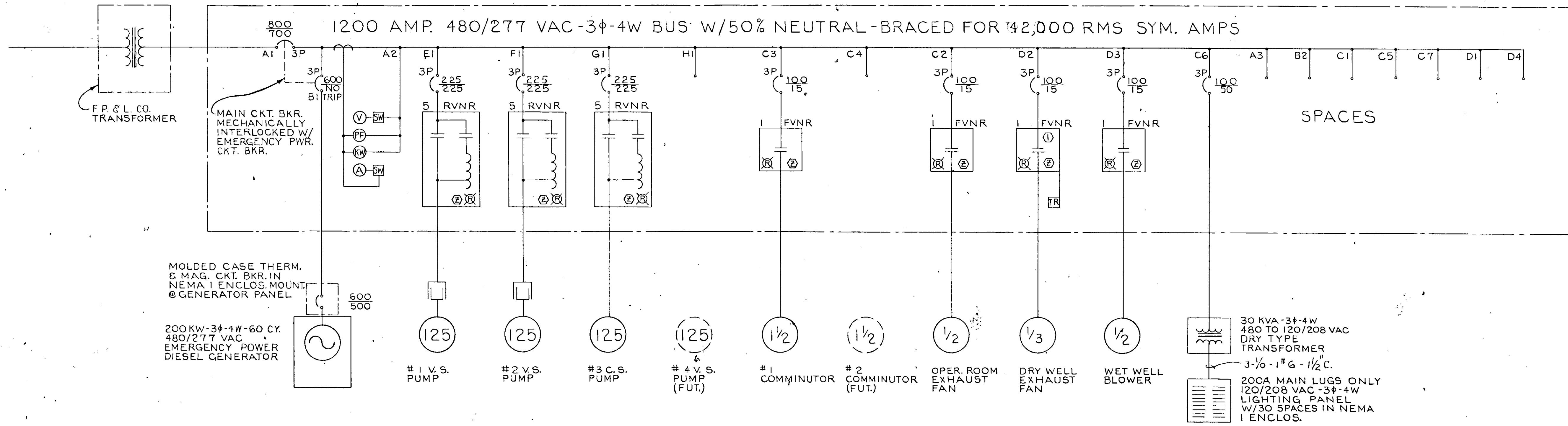
PLAN - DRY WELL & WET WELL

NO.	DATE	DESCRIPTION	BY	CHKD.
REVISIONS				
RUSSELL & AXON Consulting Engineers, Incorporated DAYTONA BEACH, FLA. ST. LOUIS, MO.				
SANITARY SEWERAGE PROJECT PART A SECTION III - SEWAGE LIFT STATIONS # 1M - ELECTRICAL - LIGHTING				
MANATEE COUNTY				T-26
DESIGNED BY	G.B.A.	FILE NO.	6681-8b	
DRAWN BY	RLJ/WRY	SHEET	No. 26	
CHECKED BY	JWC	OF 45	SHEETS	
DATE	DEC. 1971	SCALE:	3/8" = 1'-0"	



17-01

MOTOR CONTROL CENTER-SINGLE LINE DIAGRAM



PUMP SPEED CONTROL OUTLINE

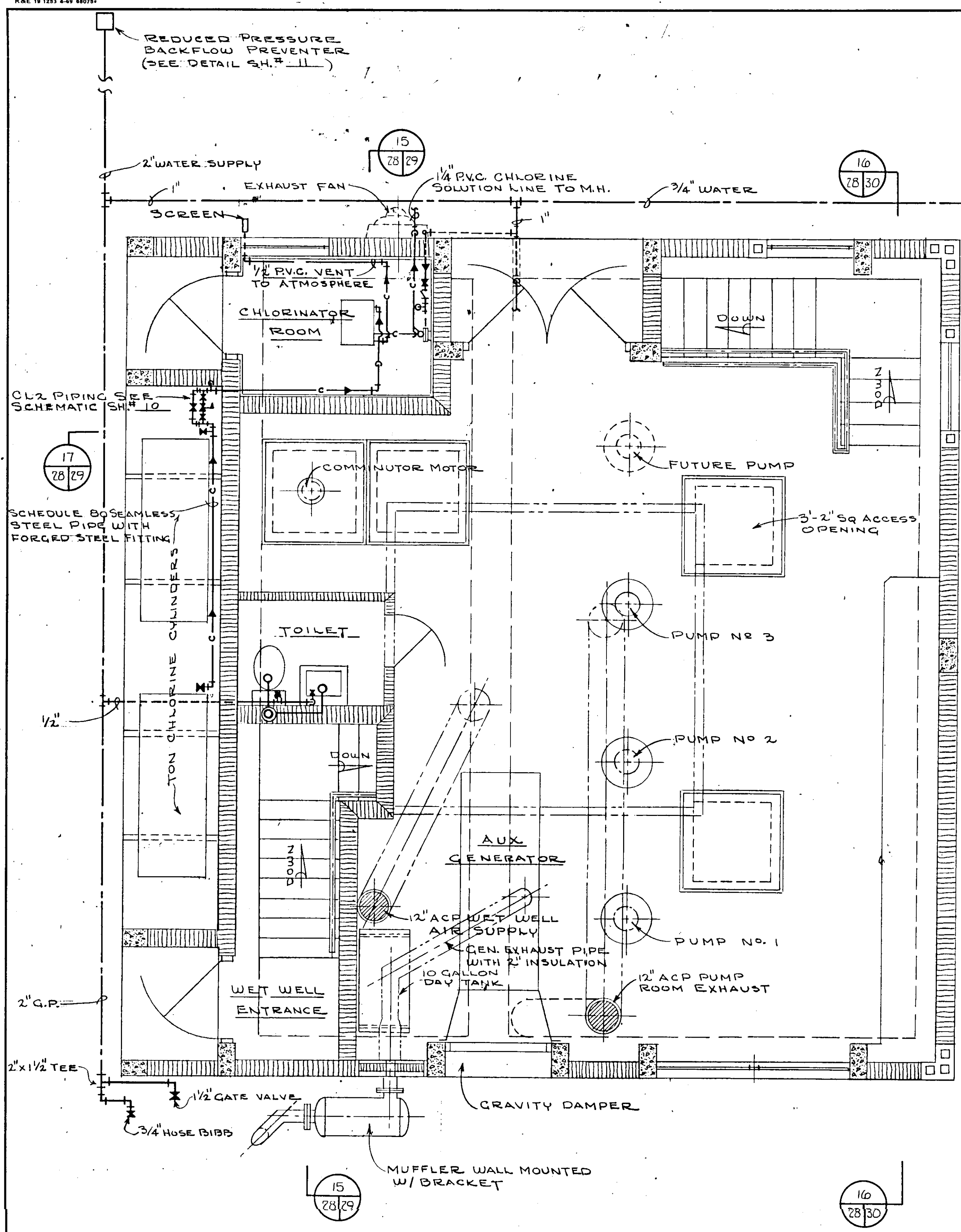
MOTOR CONTROL CENTER-OUTLINE
 CKT. BKRS. A1 & B1 TO BE MECHANICALLY INTERLOCKED TO PREVENT INDEPENDENT OPERATION (WHEN ONE BKR IS IN CLOSE POSITION THE OTHER MUST STAY IN OPEN POSITION AND VICE-VERSA.)

MCC UNIT		LOAD		CKT. BKR.		MOT. STARTER		MODIFICATIONS										WIRING		SERVICE		
SECT	NO	HP	FLA	POLES	FRAME AMP	TRIP AMP	POLES	SIZE	TYPE	COIL VOLT	PILOT LIGHT	SEL	P.B. STA.	INTERLOCKS	CONT. AUX.	C.T.	AMM	PHASES	NEU-TRAL		COND.	
A	1	-	-	3	800	700	-	-	-	-	-	-	-	-	-	-	-	9-300MCM	3#2	3x2 1/2"	MAIN CKT. BKR.	
	2	-	-	-	-	-	-	-	-	-	-	-	-	-	-	-	-	-	-	-	-	METERING EQUIPM.
	3	-	-	-	-	-	-	-	-	-	-	-	-	-	-	-	-	-	-	-	-	SPACE
B	1	-	-	3	600	NOTRIP	-	-	-	-	-	-	-	-	-	-	-	6-3/0	2#4	2x2"	EMERG. PWR. CKT. BKR.	
	2	-	-	-	-	-	-	-	-	-	-	-	-	-	-	-	-	-	-	-	-	SPACE FOR AUX. CONTROLS
	3	-	-	-	-	-	-	-	-	-	-	-	-	-	-	-	-	-	-	-	-	SPACE
C	1	-	-	-	-	-	-	-	-	-	-	-	-	-	-	-	-	-	-	-	-	SPACE
	2	1/2	1	3	100	15	3	1	FVNR	120	YES	-	-	YES	3	2	-	3#12	1#8	3/4"	OPER. ROOM EXH. FAN	
	3	1/2	3	3	100	15	3	1	FVNR	120	YES	-	-	YES	3	2	-	3#12	1#8	3/4"	#1 COMMUNICATOR	
	4	1/2	3	-	-	-	-	-	-	-	-	-	-	-	-	-	-	-	-	-	-	#2 COMMUNICATOR (FUT.)
	5	-	-	-	-	-	-	-	-	-	-	-	-	-	-	-	-	-	-	-	-	SPACE
	6	30	36	3	100	50	-	-	-	-	-	-	-	-	-	-	-	3#8	1#8	1"	DRY TRANSFORM. CKT. BKR.	
	7	-	-	-	-	-	-	-	-	-	-	-	-	-	-	-	-	-	-	-	-	SPACE
D	1	-	-	-	-	-	-	-	-	-	-	-	-	-	-	-	-	-	-	-	-	SPACE
	2	1/3	1	3	100	15	3	1	FVNR	120	YES	-	HOA	YES	3	2	-	3#12	1#8	3/4"	DRY WELL EXH. FAN	
	3	1/2	1	3	100	15	3	1	FVNR	120	YES	-	-	YES	3	2	-	3#12	1#8	3/4"	WET WELL BLOWER	
	4	-	-	-	-	-	-	-	-	-	-	-	-	-	-	-	-	-	-	-	-	SPACE
E	1	125	156	3	225	225	3	5	RVNR	120	YES	-	-	YES	3	2	-	3-3/0	1#4	2"	#1 V.S. PUMP	
	2	125	156	3	225	225	3	5	RVNR	120	YES	-	-	YES	3	2	-	3-3/0	1#4	2"	#2 V.S. PUMP	
	3	125	156	3	225	225	3	5	RVNR	120	YES	-	-	YES	3	2	-	3-3/0	1#4	2"	#3 C.S. PUMP	
	4	125	156	3	225	225	3	5	RVNR	120	YES	-	-	YES	3	2	-	3-3/0	1#4	2"	#4 V.S. PUMP (FUT.)	

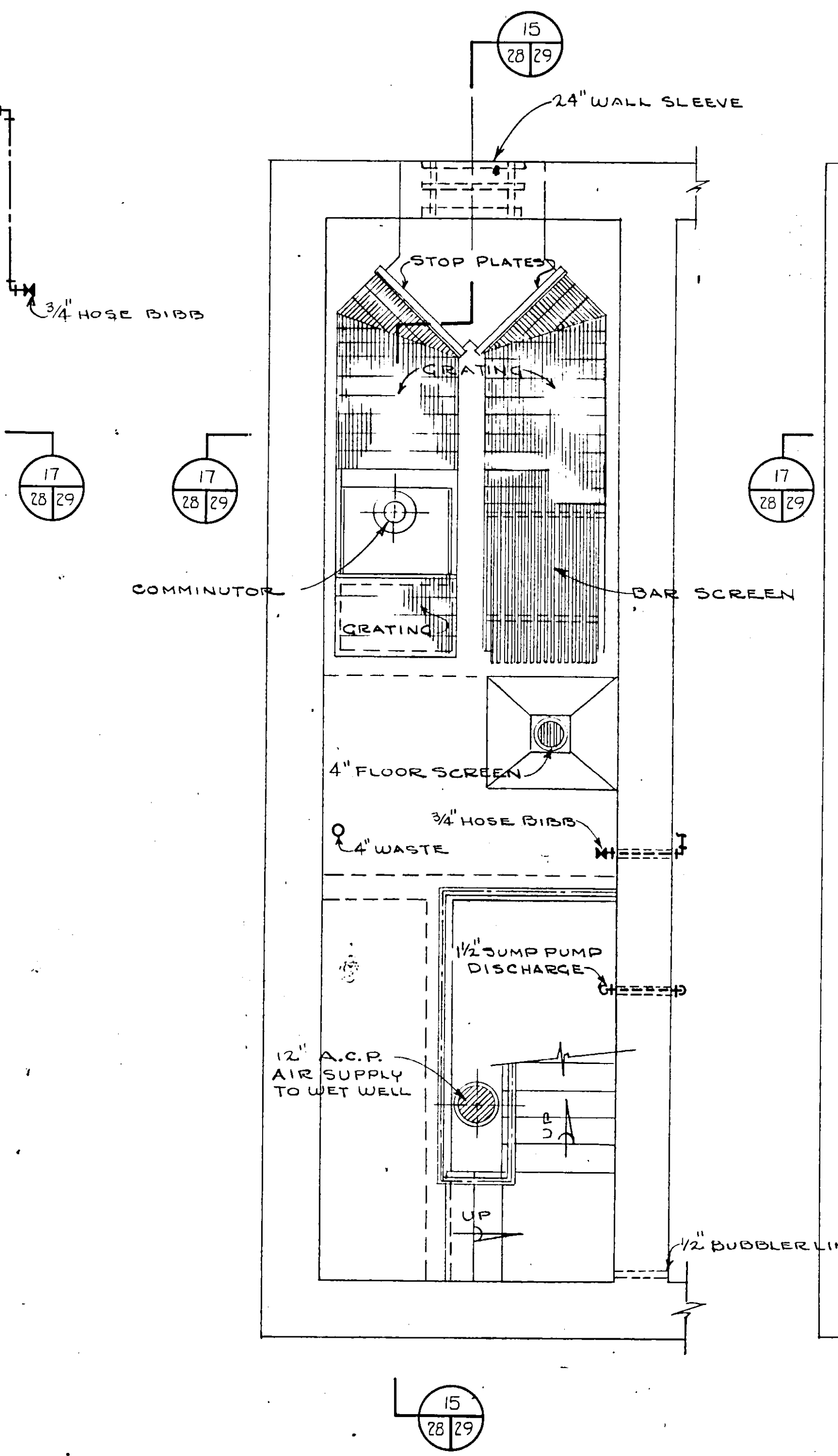
NOTE: ALL CKT. BKRS. IN MCC SHALL HAVE 25,000 RMS SYMMETRICAL AMPS. MIN. INTERRUPTING CAPACITY.

NO.	DATE	DESCRIPTION	BY	CKD.
REVISIONS				
RUSSELL & AXON Consulting Engineers, Incorporated DAYTONA BEACH, FLA. ST. LOUIS, MO.				
SANITARY SEWERAGE PROJECT PART A SECTION III - SEWAGE LIFT STATIONS STA. # IM-ELECTRICAL - MOTOR CONTROL T-27				
MANATEE COUNTY		FLORIDA		
DESIGNED BY G.B.A.	FILE NO. 6681-8b	SEAL No. 3522 STATE OF FLORIDA PROFESSIONAL ENGINEER		
DRAWN BY D REID	SHEET OF 45			
CHECKED BY AM JWC	No. 27 SHEETS			
DATE DEC. 1971	SCALE: NONE			

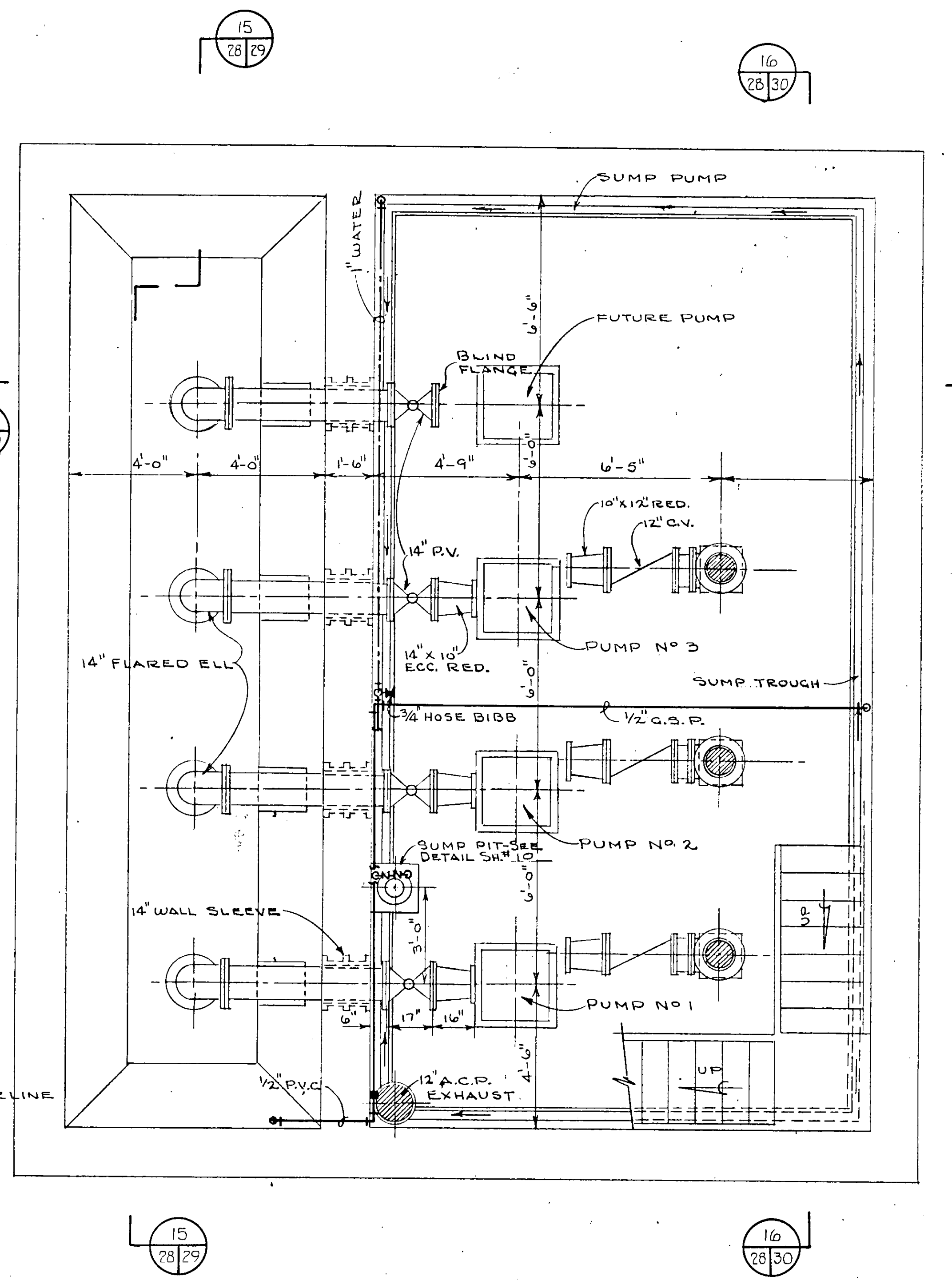
17-01



PLAN - OPERATING FLOOR
SCALE: 3/8 IN. = 1 FT.



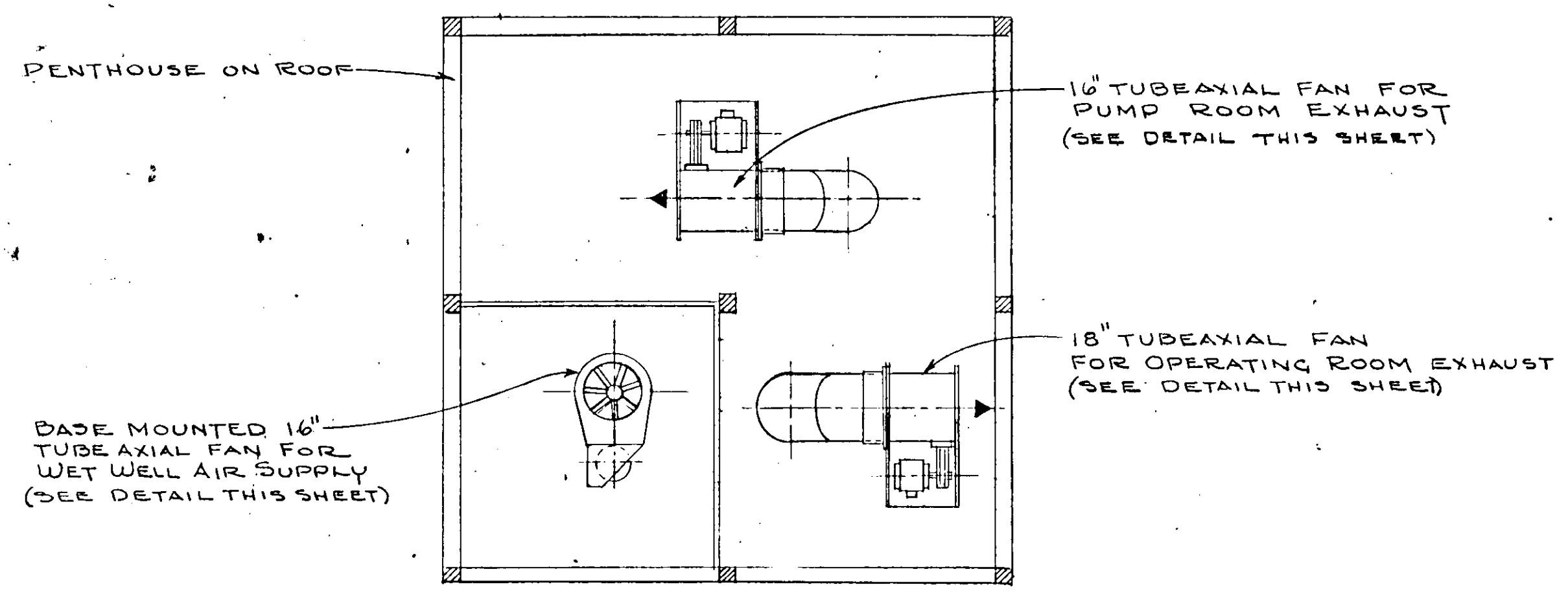
PLAN - WET WELL
INTERMEDIATE LEVEL
SCALE: 3/8 IN. = 1 FT.



PLAN - PUMP ROOM & WET WELL
SCALE: 3/8 IN. = 1 FT.

NO.	DATE	DESCRIPTION	BY	CKD.
REVISIONS				
RUSSELL & AXON Consulting Engineers, Incorporated DAYTONA BEACH, FLA. ST. LOUIS, MO.				
SANITARY SEWERAGE PROJECT PART A SECTION III - SEWAGE LIFT STATIONS #12A - MECH. - FLOOR PLAN				
MANATEE COUNTY			FLORIDA	
DESIGNED BY	P.B.C.	FILE NO.	6681-8b	
DRAWN BY	R.L.J.	SHEET	28	
CHECKED BY	JWC	OF 45	SHEETS	
DATE	DEC. 1971	SCALE:	3/8" = 1'-0"	

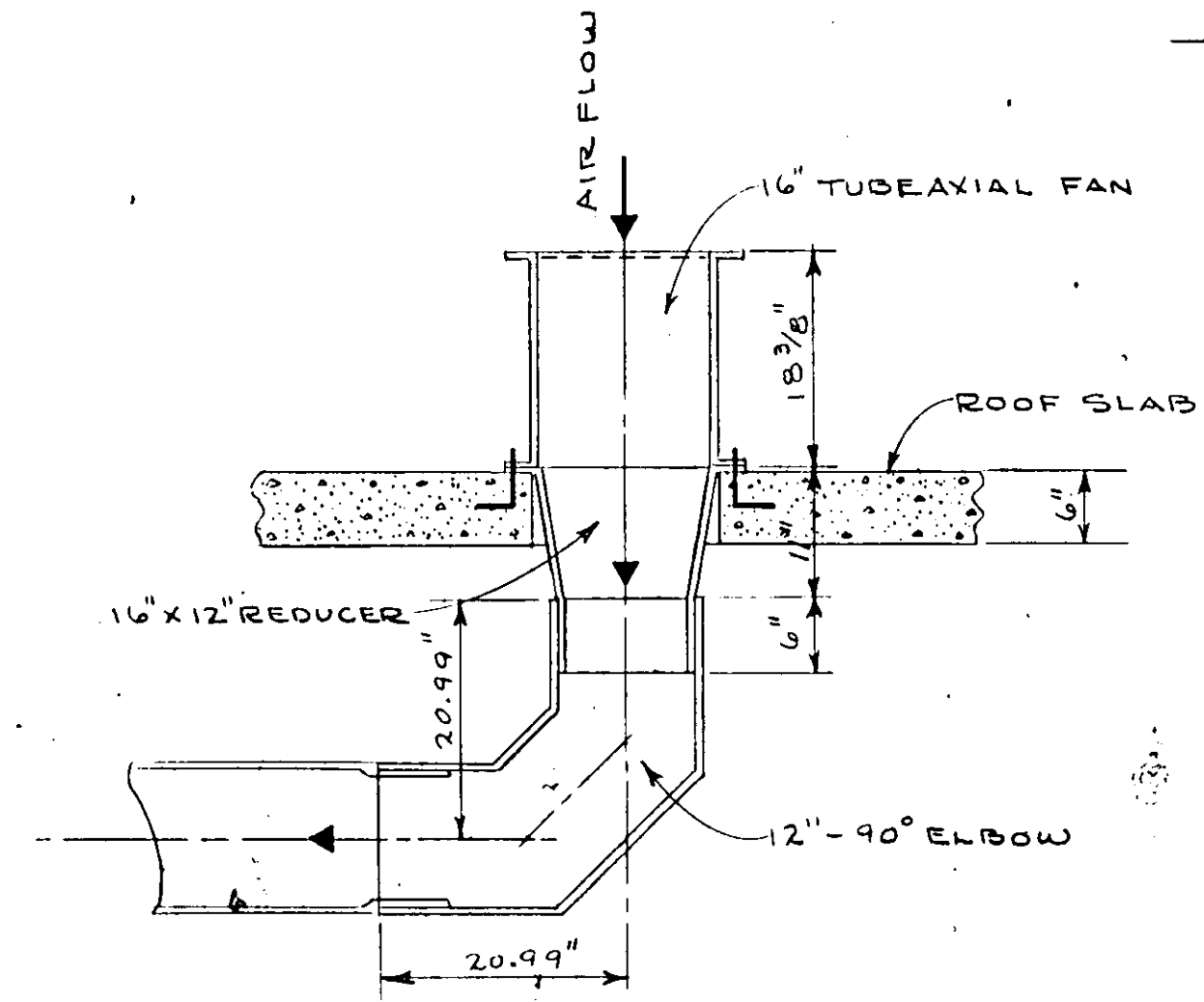
17-01



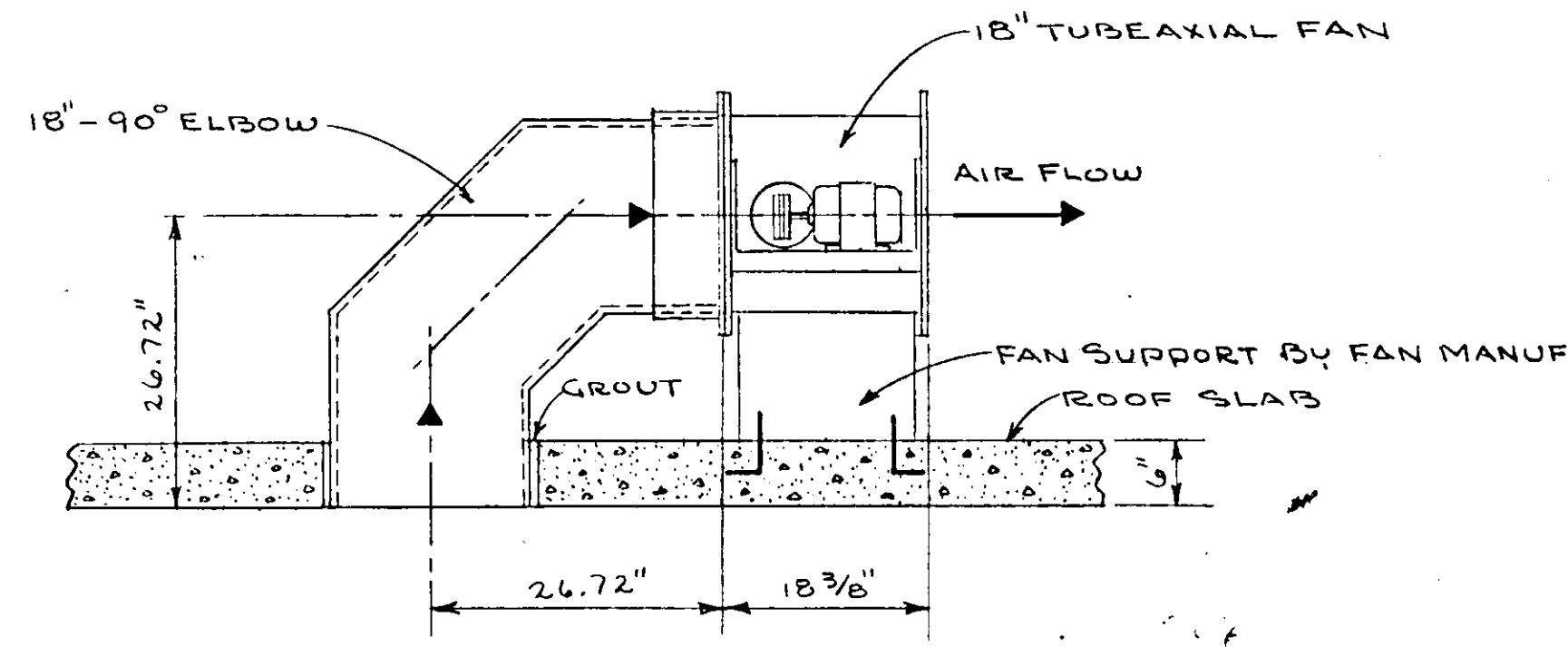
SECTION 18/30/30
SCALE 3/8" = 1'-0"

PUMPS SEQUENCE; INITIALLY STAGE 2 VARIABLE SPEED PUMPS 1 SPARE CONSTANT SPEED

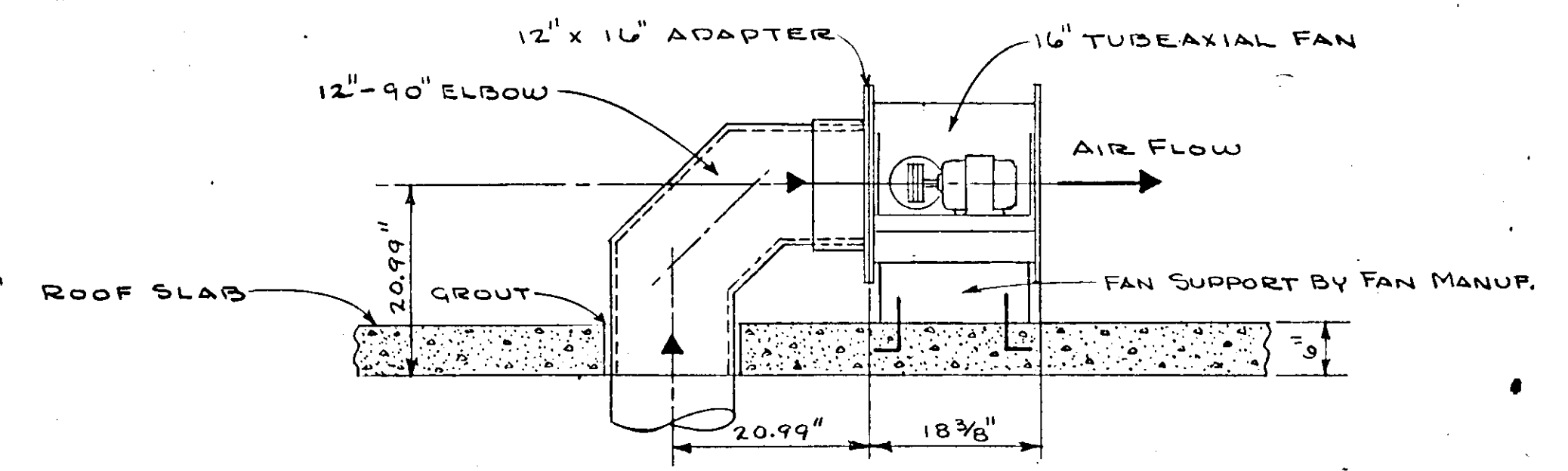
FUNCTION RISING LEVEL	ELEV. ON RISING LEVEL (READ UP)	ELEV. ON FALLING LEVEL (READ DOWN)	FUNCTION FALLING LEVEL
HIGH LEVEL ALARM	-(6.70)	↓	
PUMPS NO 1, 2, 3, RUN AT FULL SPEED	-(7.70) TO (6.70)		
NORMAL H.W. LEVEL START PUMP NO 3 PUMP NO 1 & 2 RUN AT FULL SPEED	H.W. -(7.70)	-(7.70) TO (9.20)	ALL PUMPS ON TO RUN AT FULL SPEED
INCREASE PUMPS NO 1 & 2 TO MAXIMUM SPEED	-(9.20) - (8.45)		
START PUMP 2 (VARIABLE) 850 RPM AND ADJUST PUMP NO 1 TO 850 R.P.M.	-(9.20)	-(9.20)	STOP PUMP NO 3 PUMPS NO 1 & 2 TO RUN AT FULL SPEED
INCREASE PUMP NO 1 TO MAXIMUM SPEED	-(9.95) - (9.20)	-(9.20) - (9.95)	DECREASE PUMPS NO 1 & 2 SPEED TO 850 R.P.M.
START PUMP NO 1 (VARIABLE)	-(9.95)	-(9.95)	STOP PUMP NO 2 NO 1 RUNS AT FULL SPEED
		-(9.95) TO (11.95)	DECREASE PUMP NO 1 TO MIN. SPEED
NORMAL LOW WATER LEVEL	-(11.95)	-(11.95)	STOP PUMP NO 1
NOTE: MAX. R.P.M. 1150 MIN. R.P.M. 690	↑	-(12.45)	LOW LEVEL ALARM



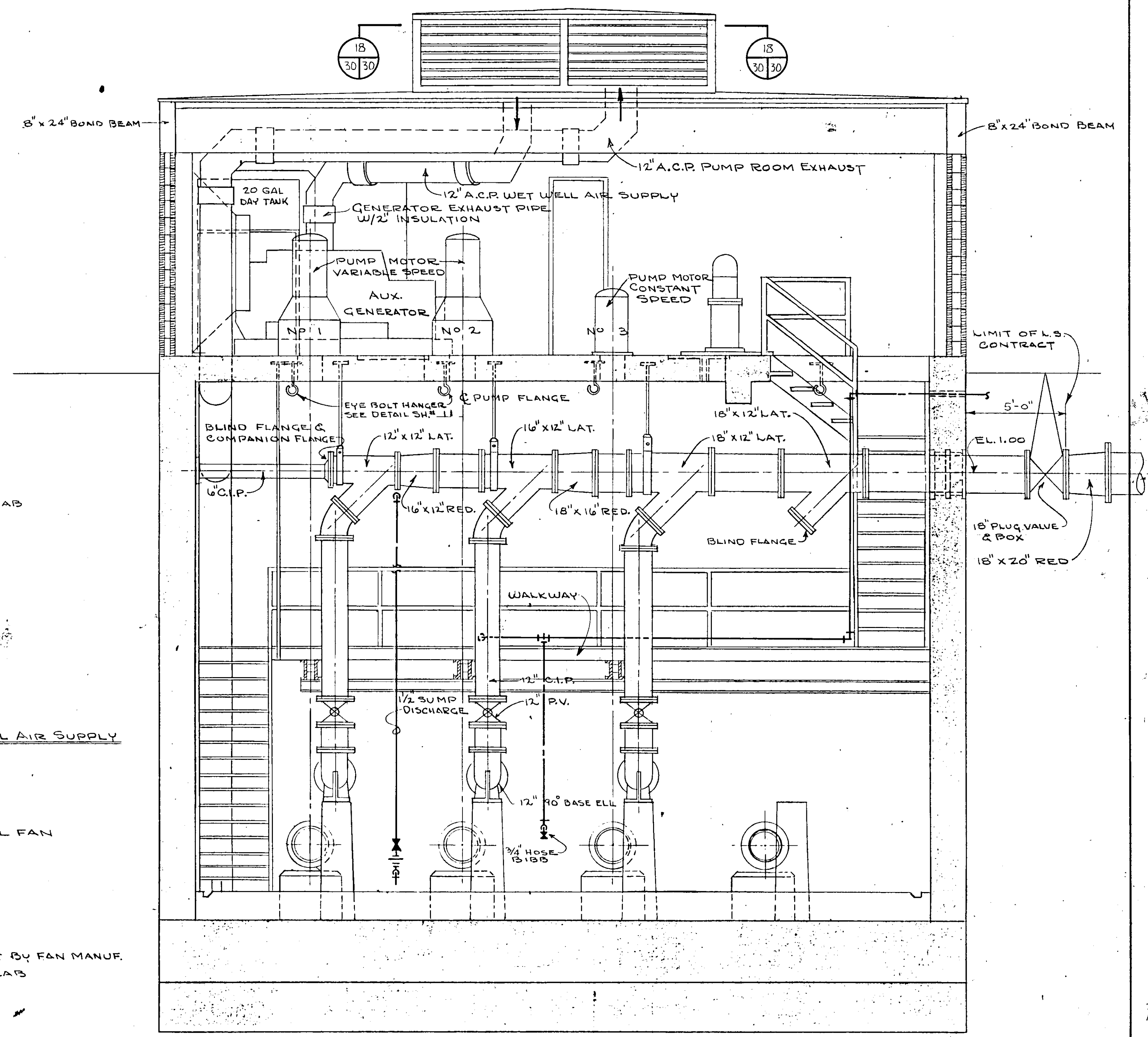
DETAIL FOR TUBEAXIAL FAN FOR WET WELL AIR SUPPLY
SCALE 3/4" = 1'-0"



DETAIL - TUBEAXIAL FAN FOR OPERATING ROOM EXHAUST
SCALE 3/4" = 1'-0"



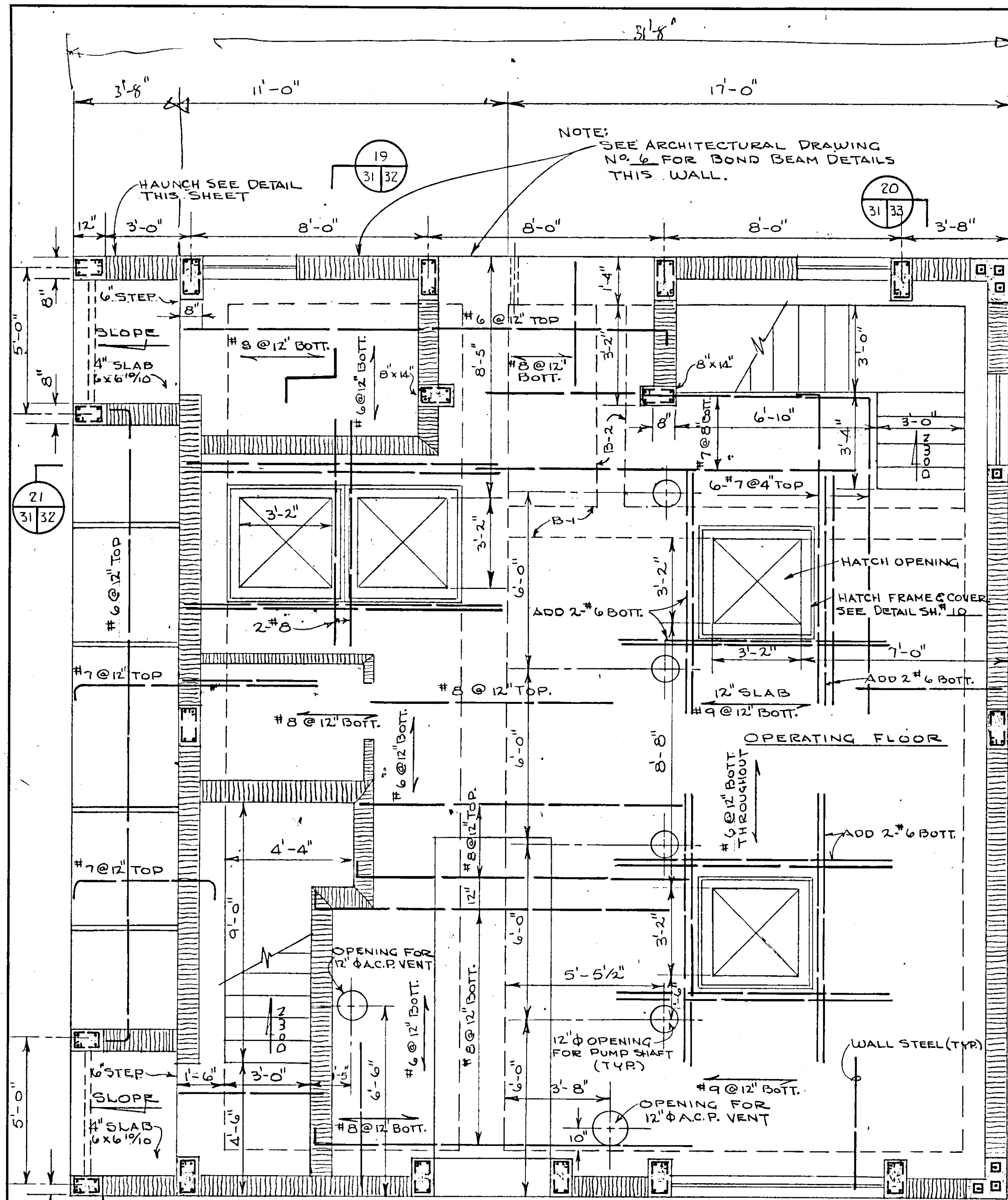
DETAIL - TUBEAXIAL FAN FOR PUMP ROOM EXHAUST
SCALE 3/4" = 1'-0"



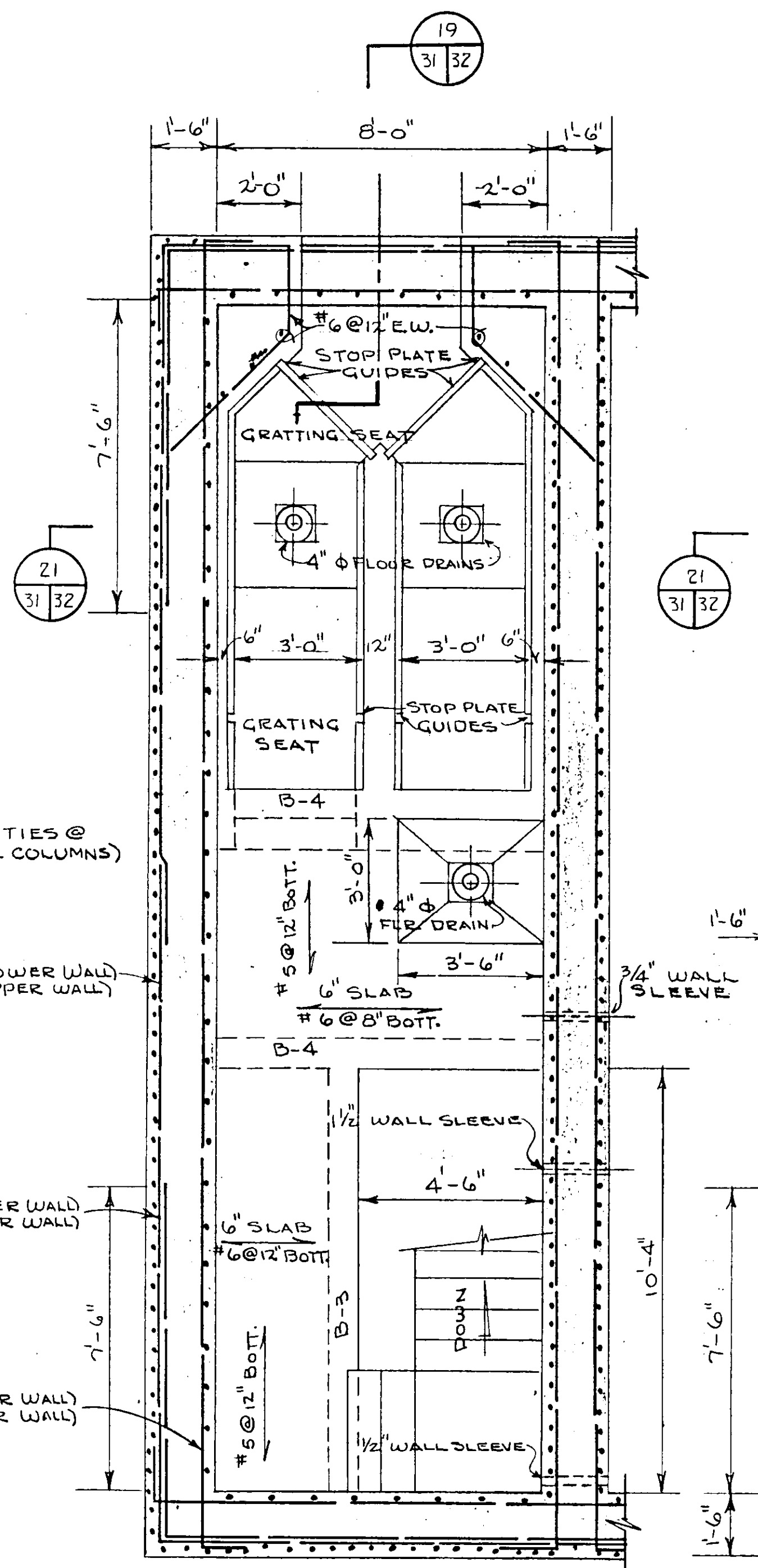
SECTION 16/28/30
SCALE 3/8" = 1'-0"

NO.	DATE	DESCRIPTION	BY	CHK.
REVISIONS				
RUSSELL & AXON Consulting Engineers, Incorporated DAYTONA BEACH, FLA. ST. LOUIS, MO.				
SANITARY SEWERAGE PROJECT PART A SECTION III - SEWER LIFT STATIONS #12A - MECH. - SECTIONS				
MANATEE COUNTY			FLORIDA	
DESIGNED BY	P.B.C.	FILE NO.	6681-8b	
DRAWN BY	R.L.J.	SHEET	No. 30	
CHECKED BY	J.W.C.	OF 45	SHEETS	
DATE	DEC. 1971	SCALE: 3/8" = 1'-0"		

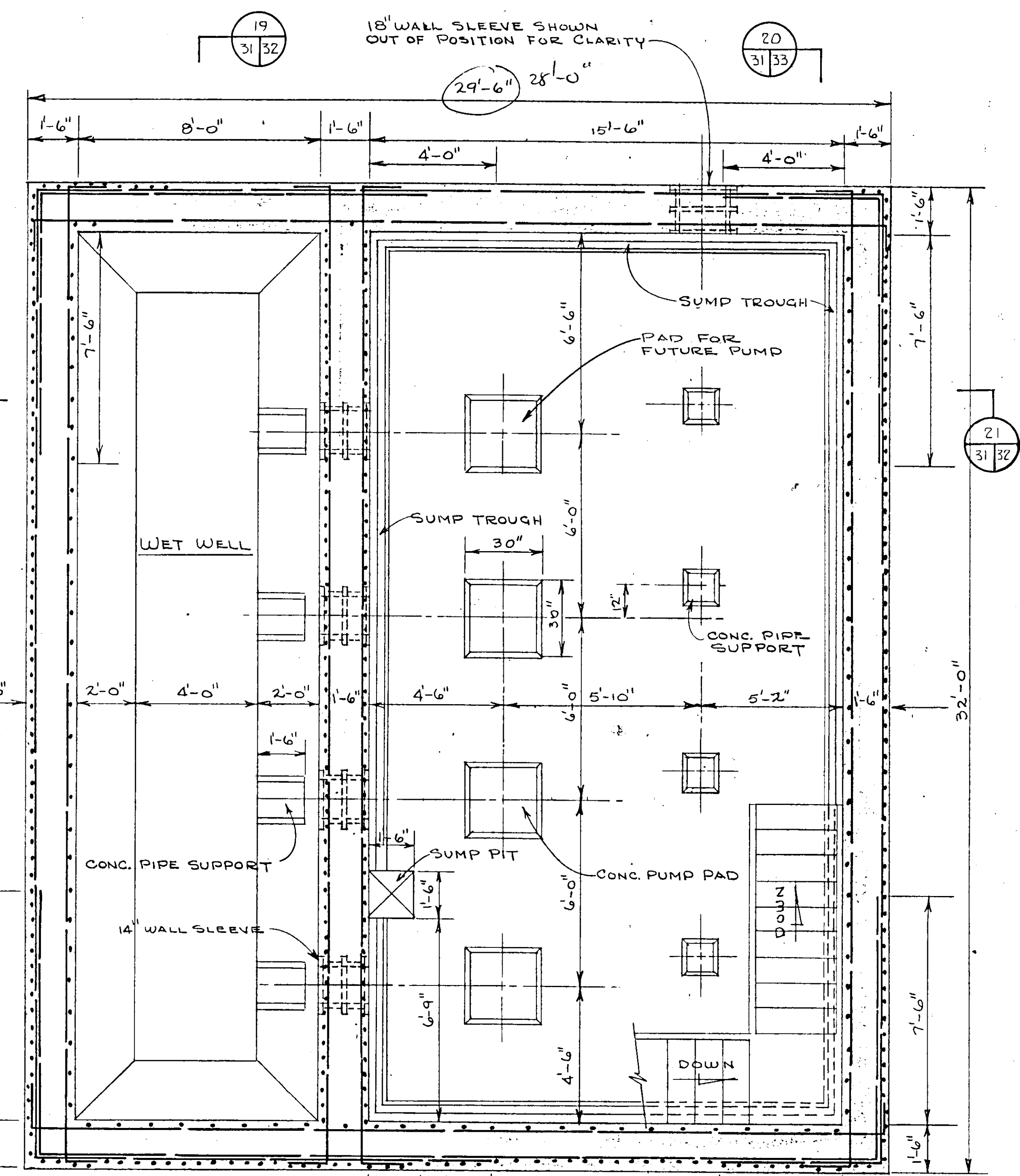
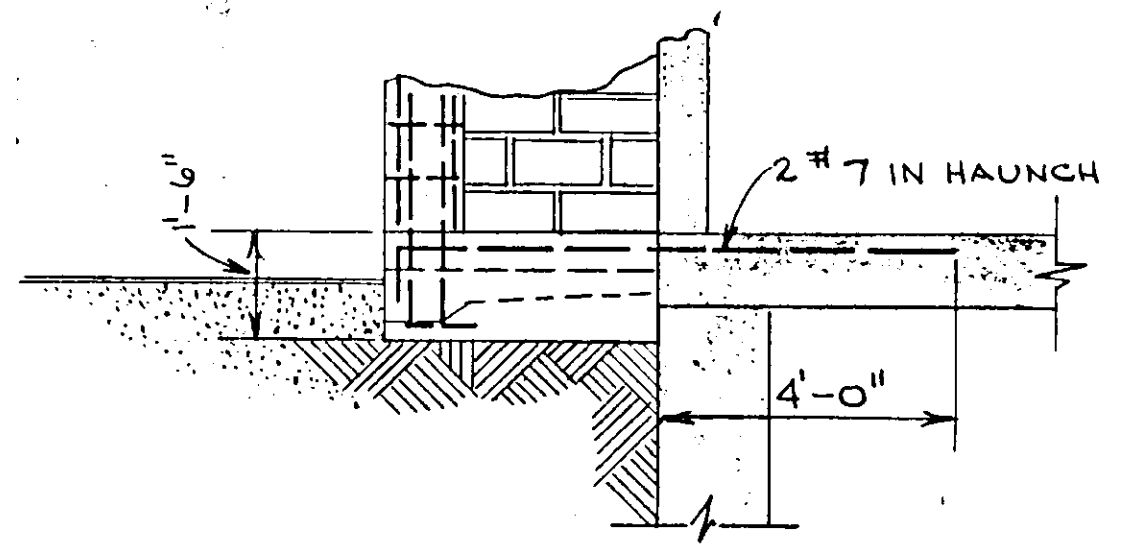
17-01



PUMP OPERATING FLOOR
SCALE 3/8" = 1'-0"



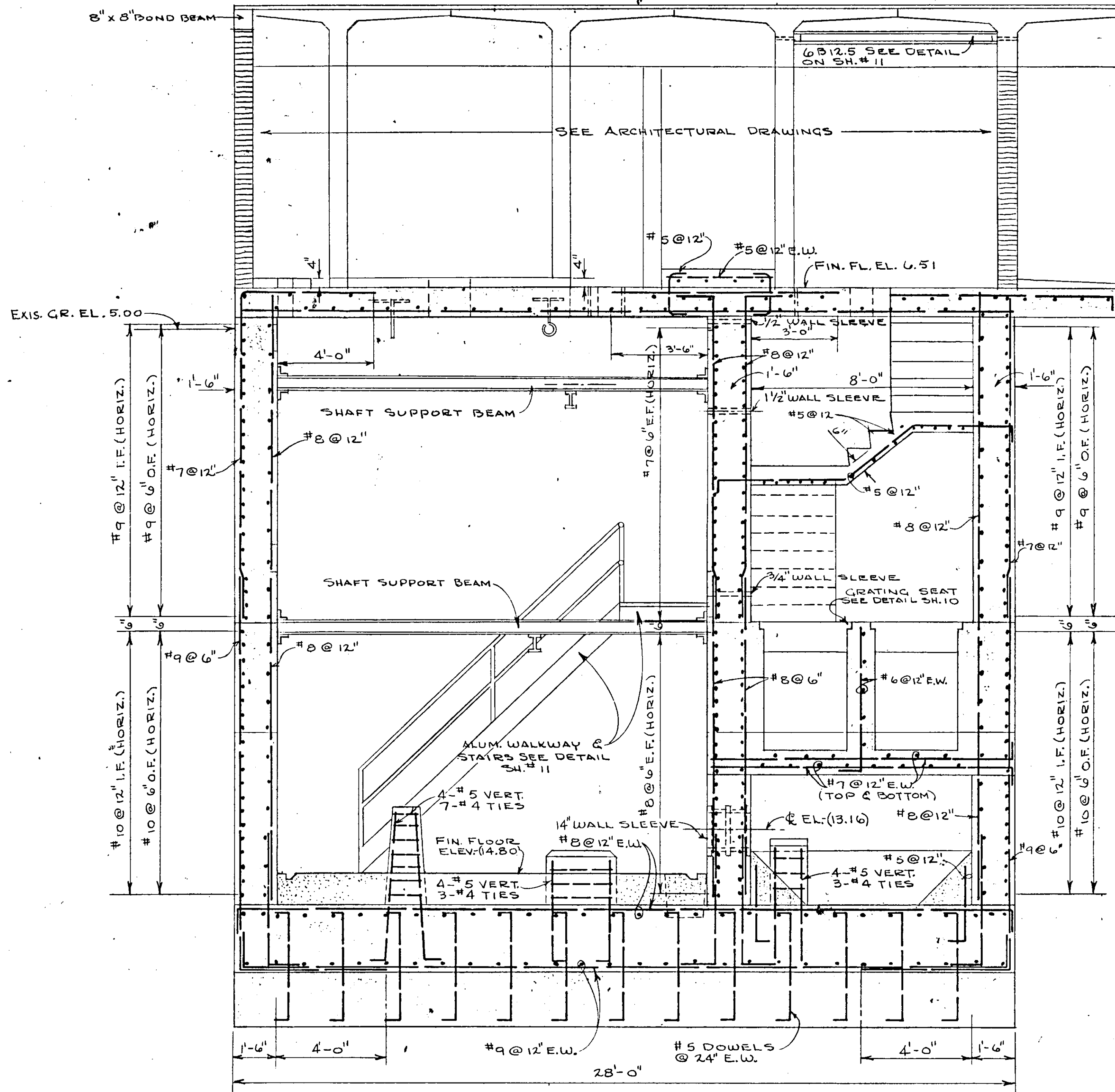
PLAN WET WELL
SCALE 3/8" = 1'-0"



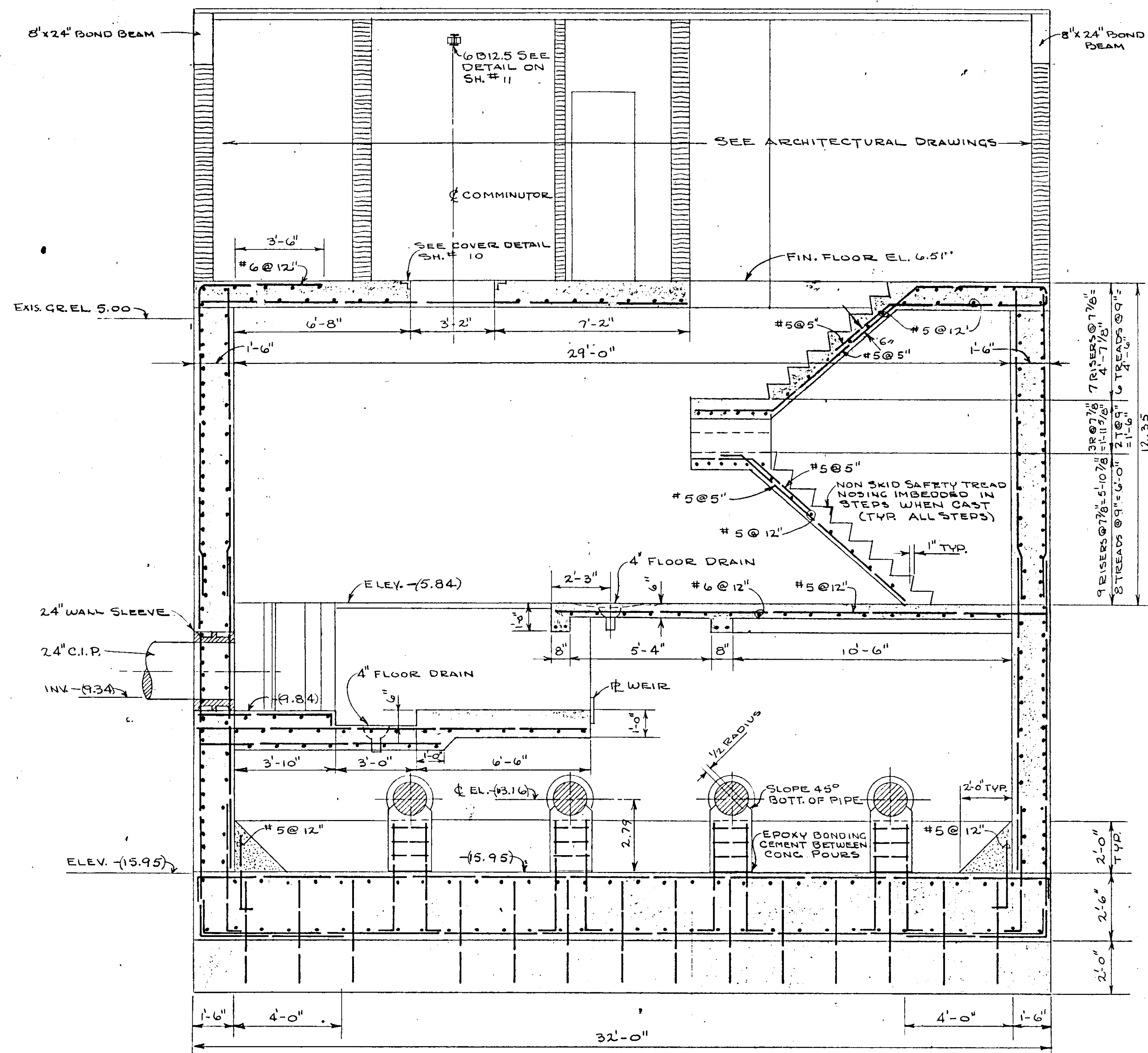
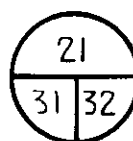
PLAN PUMP ROOM & WET WELL
SCALE 3/8" = 1'-0"

NO.	DATE	DESCRIPTION	BY	CKD.
REVISIONS				
RUSSELL & AXON Consulting Engineers, Incorporated DAYTONA BEACH, FLA. ST. LOUIS, MO.				
SANITARY SEWERAGE PROJECT PART A SECTION III - SEWAGE LIFT STATIONS #12A - STRUCT - FLOOR PLAN				
MANATEE COUNTY		FLORIDA		
DESIGNED BY	J.T.S.	FILE NO.	6681-8b	
DRAWN BY	R.L.J.	SHEET	(31)	
CHECKED BY	J.W.	OF 45	SHEETS	
DATE	DEC. 1971	SCALE:	3/8" = 1'-0"	

17-01



SECTION 21
SCALE 3/8" = 1'-0"

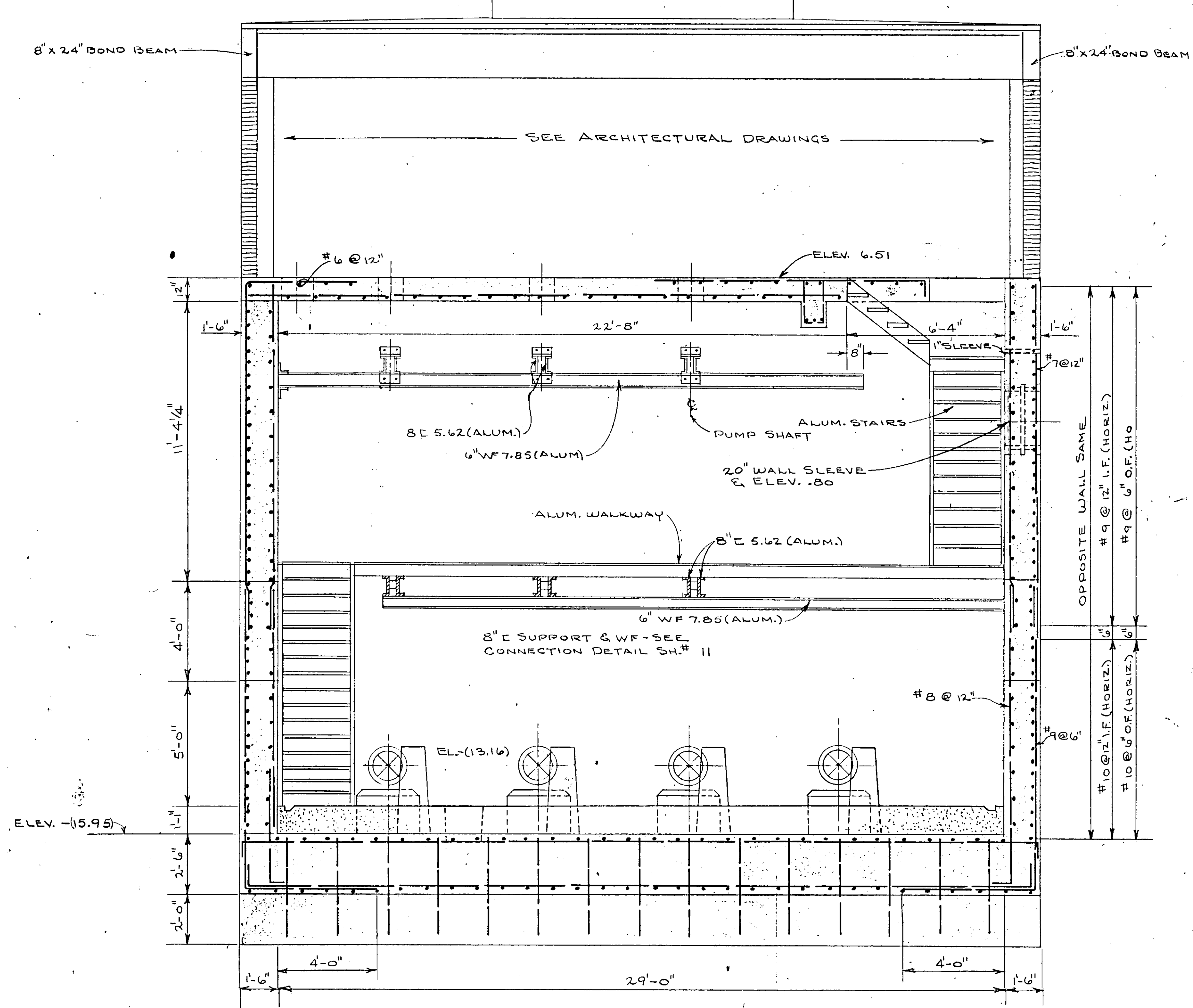


SECTION 19
SCALE 3/8" = 1'-0"



NO.	DATE	DESCRIPTION	BY	CHKD.
REVISIONS				
RUSSELL & AXON Consulting Engineers, Incorporated				
DAYTONA BEACH, FLA.		ST. LOUIS, MO.		
SANITARY SEWERAGE PROJECT PART A				
SECTION III - SEWAGE LIFT STATIONS				
# 12A - STRUCT. - SECTIONS				
MANATEE COUNTY		FLORIDA		
DESIGNED BY J.T.S.	FILE NO. 6681-8b			
DRAWN BY R.L.J.	SHEET No. 32			
CHECKED BY M.W. JWC	OF 45 SHEETS			
DATE DEC. 1971	SCALE: 3/8" = 1'-0"			

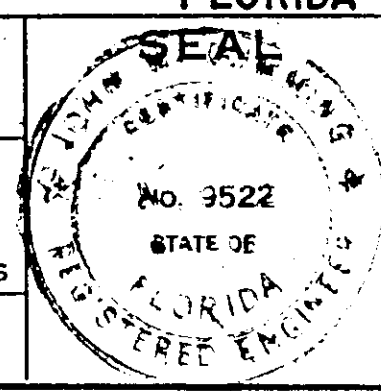
17-01

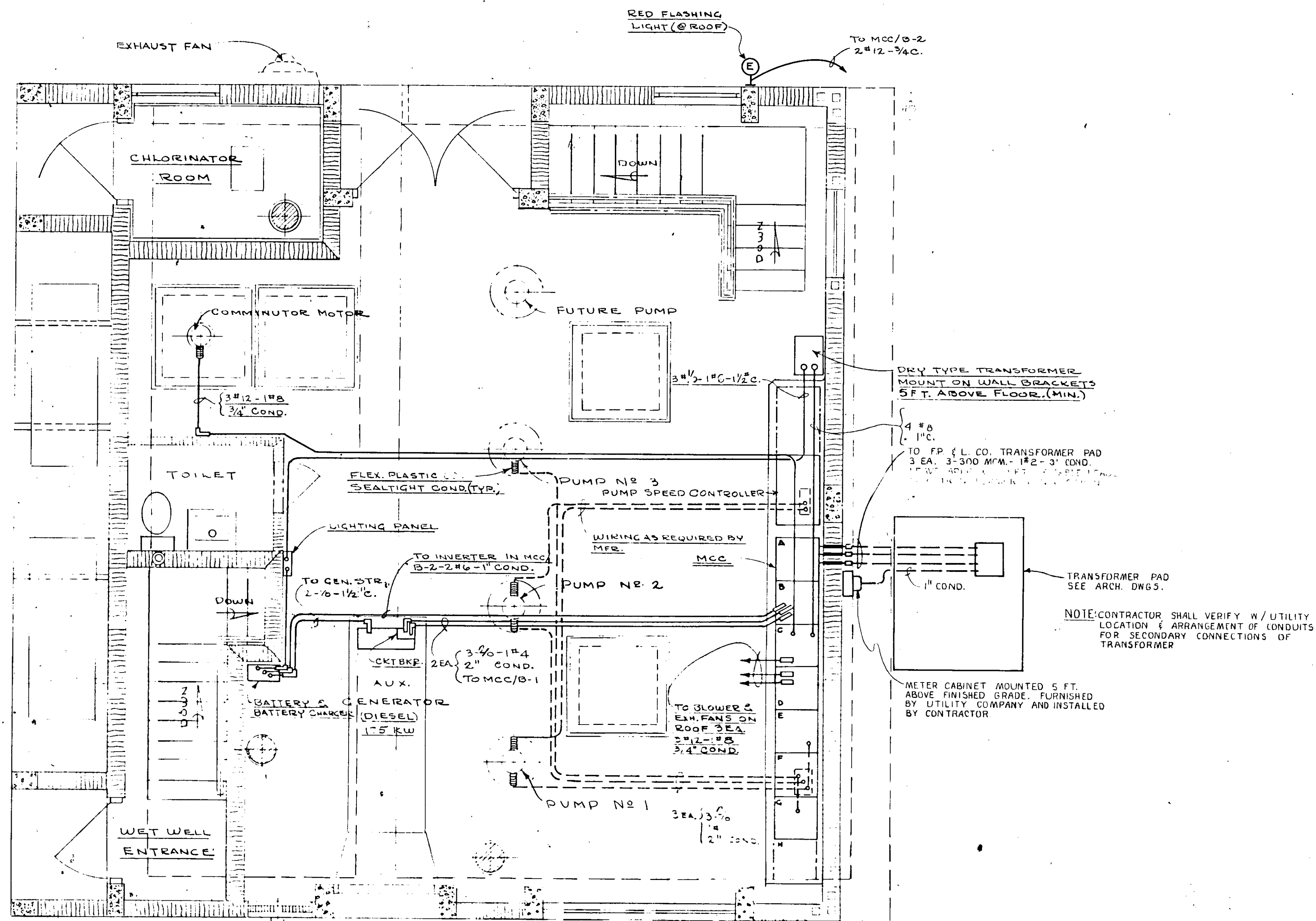


SECTION 20
 SCALE 3/8" = 1'-0" 31/33

NO.	DATE	DESCRIPTION	BY	CHKD.
REVISIONS				
RUSSELL & AXON Consulting Engineers, Incorporated DAYTONA BEACH, FLA. ST. LOUIS, MO.				
SANITARY SEWAGE PROJECT PART A SECTION III - SEWAGE LIFT STATIONS # 12A - STRUCT. SECTIONS				
MANATEE COUNTY FLORIDA				
DESIGNED BY	J.T.S.	FILE NO.	6681-8b	
DRAWN BY	R.L.J.	SHEET	No. 33	
CHECKED BY	J.W. JWC	OF 45 SHEETS		
DATE	DEC. 1971	SCALE: 3/8" = 1'-0"		

17-01



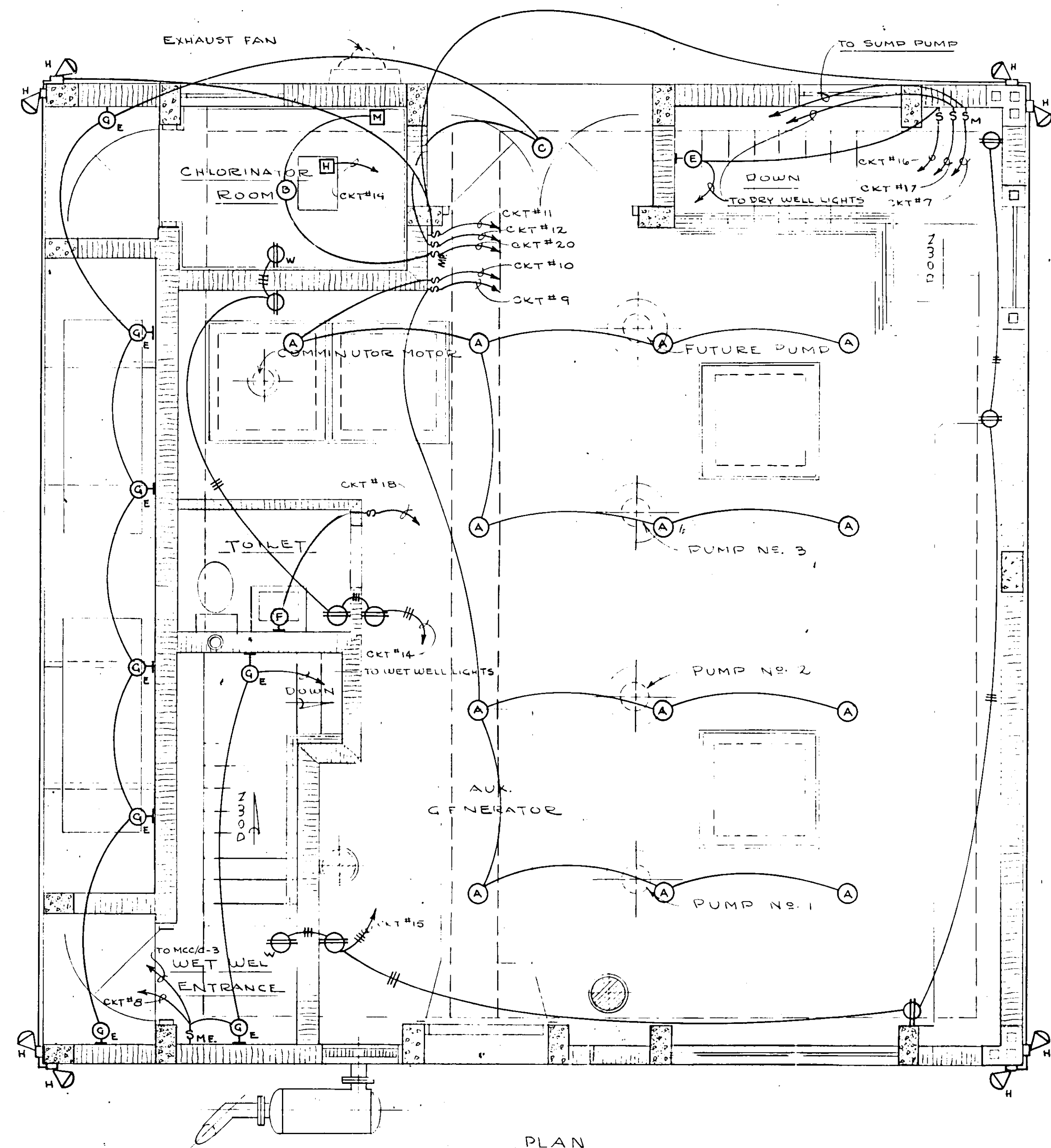


PLAN - OPERATING FLOOR

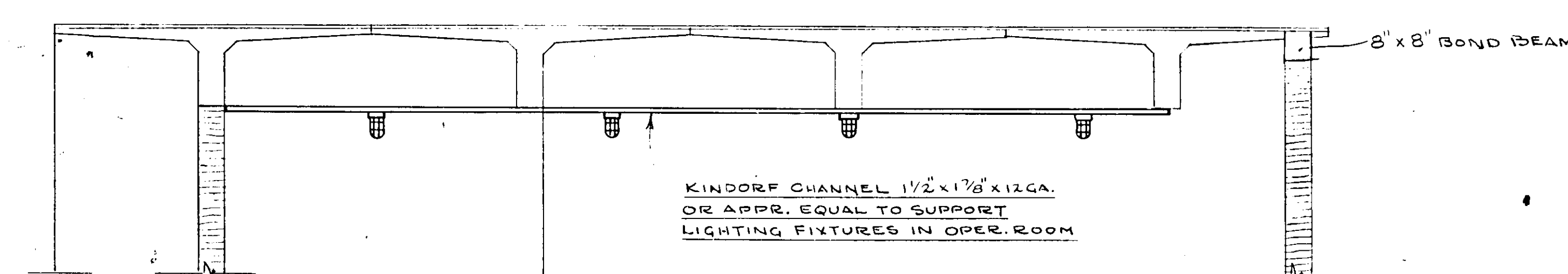
NOTE: RUN DOTTED CONDUITS UNDER FLOOR SLAB OR UNDERGROUND.

NO.	DATE	DESCRIPTION	BY	CHKD.
REVISIONS				
RUSSELL & AXON Consulting Engineers, Incorporated DAYTONA BEACH, FLA. ST. LOUIS, MO.				
SANITARY SEWERAGE PROJECT PART A SECTION III - SEWAGE LIFT STATIONS #12A - ELECTRICAL - WIRING FLOOR PLAN				
MANATEE COUNTY FLORIDA				
DESIGNED BY G.B.A.	FILE NO. 6681-8b			
DRAWN BY R.L.J./W.R.Y.	SHEET			
CHECKED BY S.E.H./H.J.W.C.	OF 45 SHEETS			
DATE DEC. 1971	SCALE: 3/8" = 1'-0"			

17-01

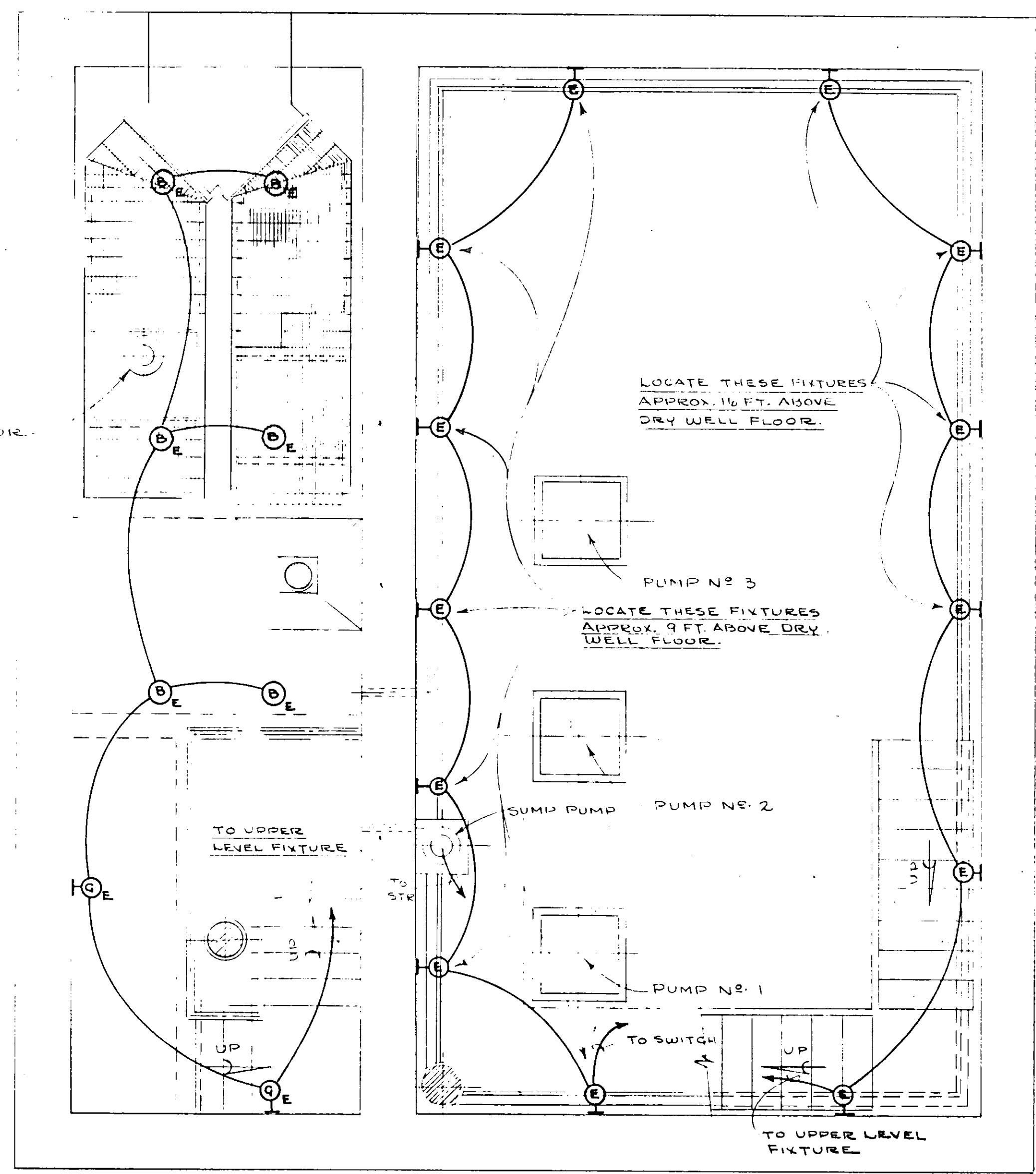


PLAN



ELEVATION

OPERATING FLOOR

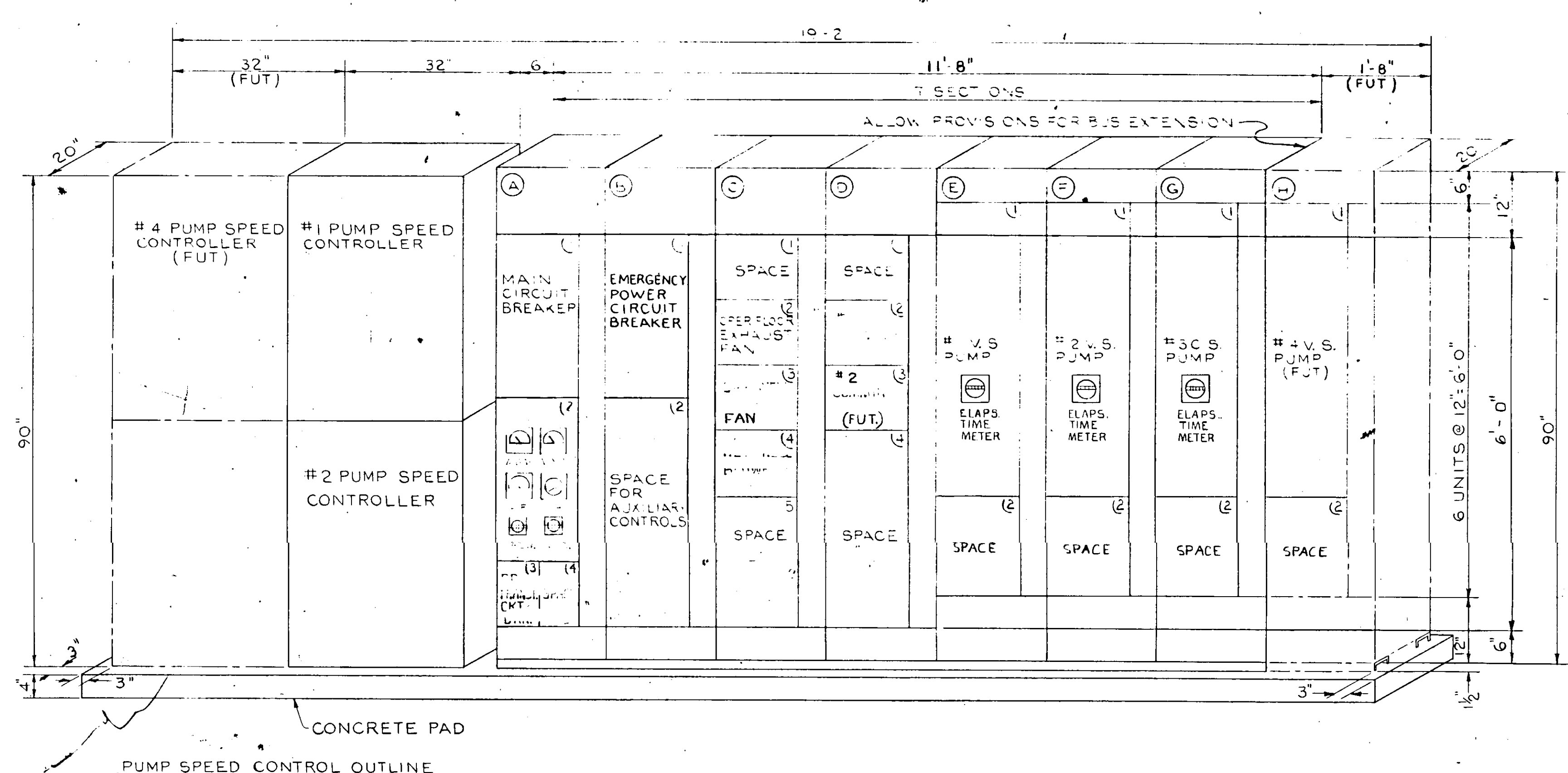
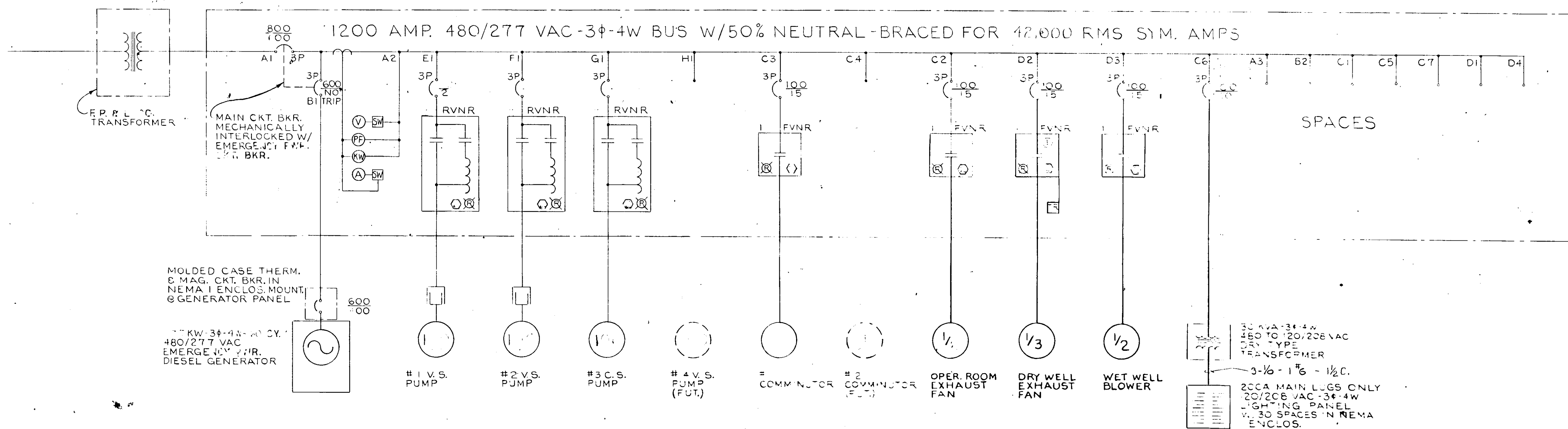


PLAN - DRY WELL & WET WELL

NO.	DATE	DESCRIPTION	BY	CKD.
REVISIONS				
RUSSELL & AXON Consulting Engineers, Incorporated DAYTONA BEACH, FLA. ST. LOUIS, MO.				
SANITARY SEWERAGE PROJECT PART A SECTION III - SEWAGE LIFT STATIONS #12A - ELECTRICAL - LIGHTING				
MANATEE COUNTY			FLORIDA	
DESIGNED BY	FILE NO.		SEAL No. 35 SHEETS	
G.B.A.	6681-8b			
DRAWN BY	SHEET			
RLJ/WRY	No. 35			
CHECKED BY	OF 45			
J.W.C.				
DATE	SCALE: 3/8" = 1'-0"			
DEC. 1971				

17-01

MOTOR CONTROL CENTER-SINGLE LINE DIAGRAM



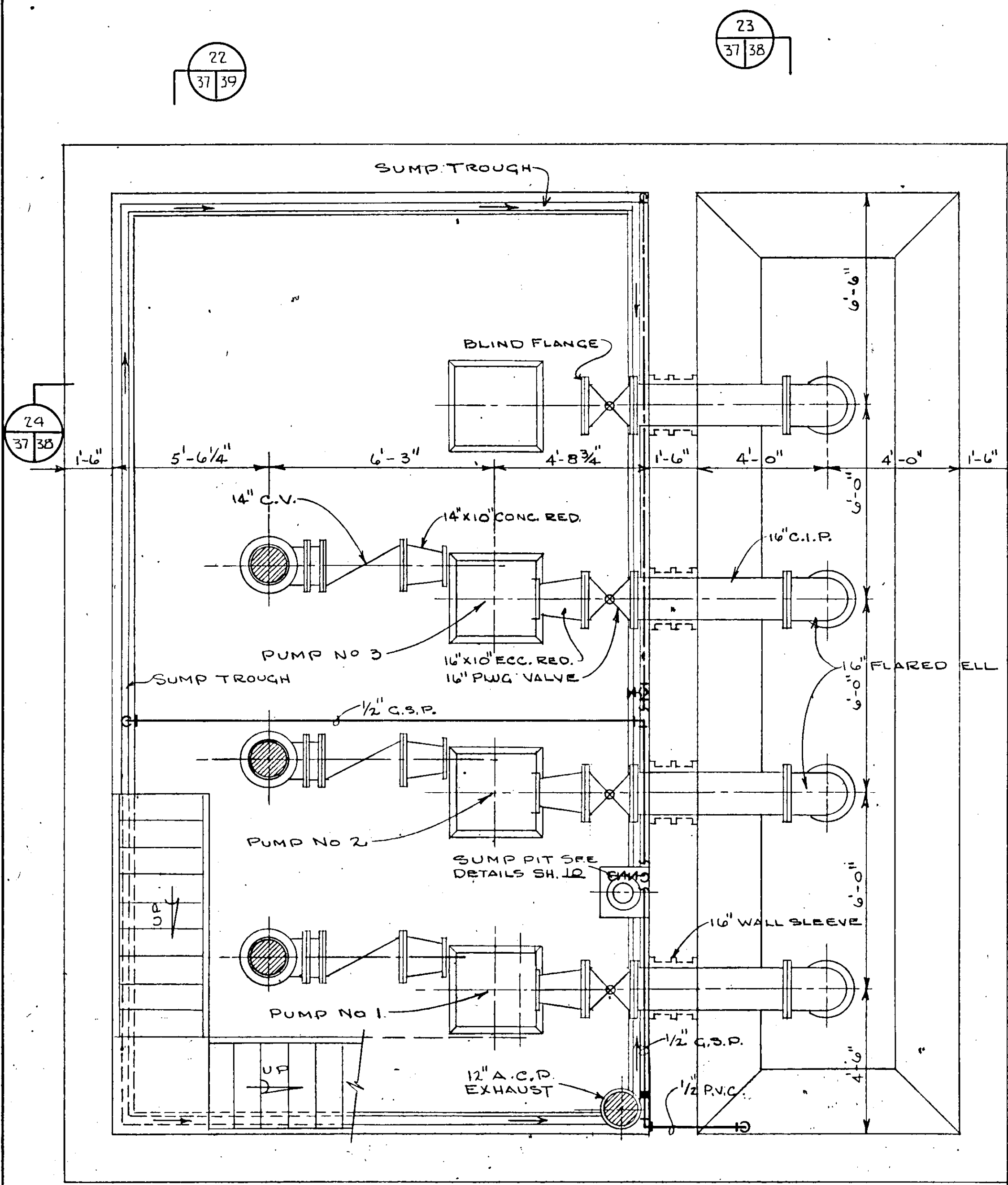
MOTOR CONTROL CENTER-OUTLINE
 CKT. BKRS. A1 & B1 TO BE MECHANICALLY INTERLOCKED TO PREVENT INDEPENDENT OPERATION (WHEN ONE BKR. IS IN CLOSE POSITION THE OTHER MUST STAY IN OPEN POSITION AND VICE-VERSA.)

MOTOR CONTROL CENTER SCHEDULE																							
MCC SECT.	UNIT NO.	LOAD		CKT. BKR.			MOTOR STARTER			MODIFICATIONS					WIRING		COND.	SERVICE					
		HP	KVA	POLES	FRAME	TRIP	POLES	SIZE	TYPE	COIL VOLT.	PILOT LIGHT	SELECT SW.	P.B. STA.	INTERLOCKS	CONT. RELAY	CT. AMM SW.			PHASES	NEUT.			
A	1	-	-	3	800	600	-	-	-	-	-	-	-	-	-	-	3-30MM	3#2	3x3"	MAIN CKT. BKR			
	2	-	-	-	-	-	-	-	-	-	-	-	-	-	-	-	-	-	-	METERING EQUIPMT.			
	3	30	36	3	100	50	-	-	-	-	-	-	-	-	-	-	3#8	1#8	1"	DRY TRANSFORM. CKT. BKR.			
	4	-	-	-	-	-	-	-	-	-	-	-	-	-	-	-	-	-	-	SPACE			
B	1	-	263	3	600	NO TRIP	-	-	-	-	-	-	-	-	-	-	6-2/8	2#4	2x2"	EMERG. POWER CKT. BKR.			
	2	-	-	-	-	-	-	-	-	-	-	-	-	-	-	-	-	-	-	SPACE FOR AUX. CONTROLS			
C	1	-	-	-	-	-	-	-	-	-	-	-	-	-	-	-	-	-	-	SPACE			
	2	1/2	1	3	100	15	3	1	FVNR	120	YES	-	-	YES	3	2	-	-	3#12	1#8	3/4"	OPER. FLOOR EXH. FAN	
	3	1/3	1	3	100	15	3	1	FVNR	120	YES	HOA	-	YES	3	2	-	TIME	-	3#12	1#8	3/4"	DRY WELL EXH. FAN
	4	1/2	1	3	100	15	3	1	FVNR	120	YES	-	-	YES	3	2	-	-	-	3#12	1#8	3/4"	WET WELL BLOWER
	5	-	-	-	-	-	-	-	-	-	-	-	-	-	-	-	-	-	-	-	-	-	SPACE
	6	-	-	-	-	-	-	-	-	-	-	-	-	-	-	-	-	-	-	-	-	-	-
D	1	-	-	-	-	-	-	-	-	-	-	-	-	-	-	-	-	-	-	-	-	SPACE	
	2	1	2	3	100	15	3	1	FVNR	120	YES	-	-	YES	3	2	-	-	-	3#12	1#8	3/4"	#1 COMMUNOTOR
	3	1	2	-	-	-	-	-	-	-	-	-	-	-	-	-	-	-	-	-	-	-	#2 COMMUNOTOR (FUT.)
	4	-	-	-	-	-	-	-	-	-	-	-	-	-	-	-	-	-	-	-	-	-	SPACE
E	1	100	124	3	225	200	3	4	RVNR	120	YES	-	-	YES	3	2	-	-	-	3-2/8	1#4	2"	#1 V.S. PUMP
	2	-	-	-	-	-	-	-	-	-	-	-	-	-	-	-	-	-	-	-	-	-	SPACE
F	1	100	124	3	225	200	3	4	RVNR	120	YES	-	-	YES	3	2	-	-	-	3-2/8	1#4	2"	#2 V.S. PUMP
	2	-	-	-	-	-	-	-	-	-	-	-	-	-	-	-	-	-	-	-	-	-	SPACE
G	1	100	124	3	225	200	3	4	RVNR	120	YES	-	-	YES	3	2	-	-	-	3-2/8	1#4	2"	#3 C.S. PUMP
	2	-	-	-	-	-	-	-	-	-	-	-	-	-	-	-	-	-	-	-	-	-	SPACE
H	1	100	124	-	-	-	-	-	-	-	-	-	-	-	-	-	-	-	-	-	-	-	#4 V.S. PUMP (FUT.)
	2	-	-	-	-	-	-	-	-	-	-	-	-	-	-	-	-	-	-	-	-	-	SPACE (FUT.)

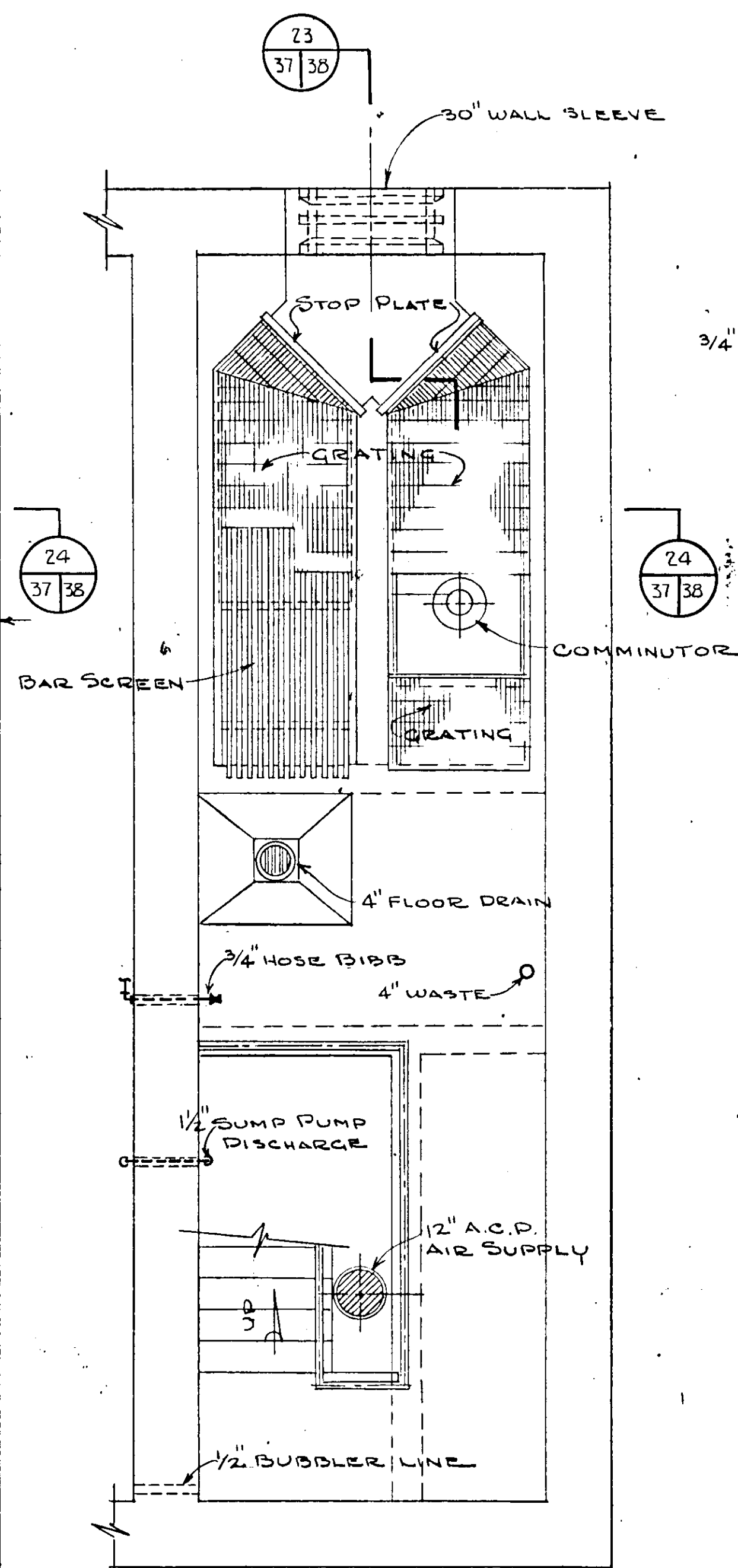
NOTE: ALL CKT. BKRS. IN MCC SHALL HAVE 25,000 RMS SYMMETRICAL AMPS MIN. INTERRUPTING CAPACITY.

NO.	DATE	DESCRIPTION	BY	CKD.
REVISIONS				
RUSSELL & AXON Consulting Engineers, Incorporated DAYTONA BEACH, FLA. St. LOUIS, MO.				
SANITARY SEWERAGE PROJECT PART A SECTION III - SEWAGE LIFT STATIONS STA.#12A - ELECTRICAL - MOTOR CONTROL				
DESIGNED BY		FILE NO.	SEAL 9522	
G.B.A.		6681-8b		
DRAWN BY		SHEET	36 SHEETS	
W.R.Y.		OF 45		
CHECKED BY		DATE	SCALE: NONE	
G.S.H. J.W.C.		DEC 1971		

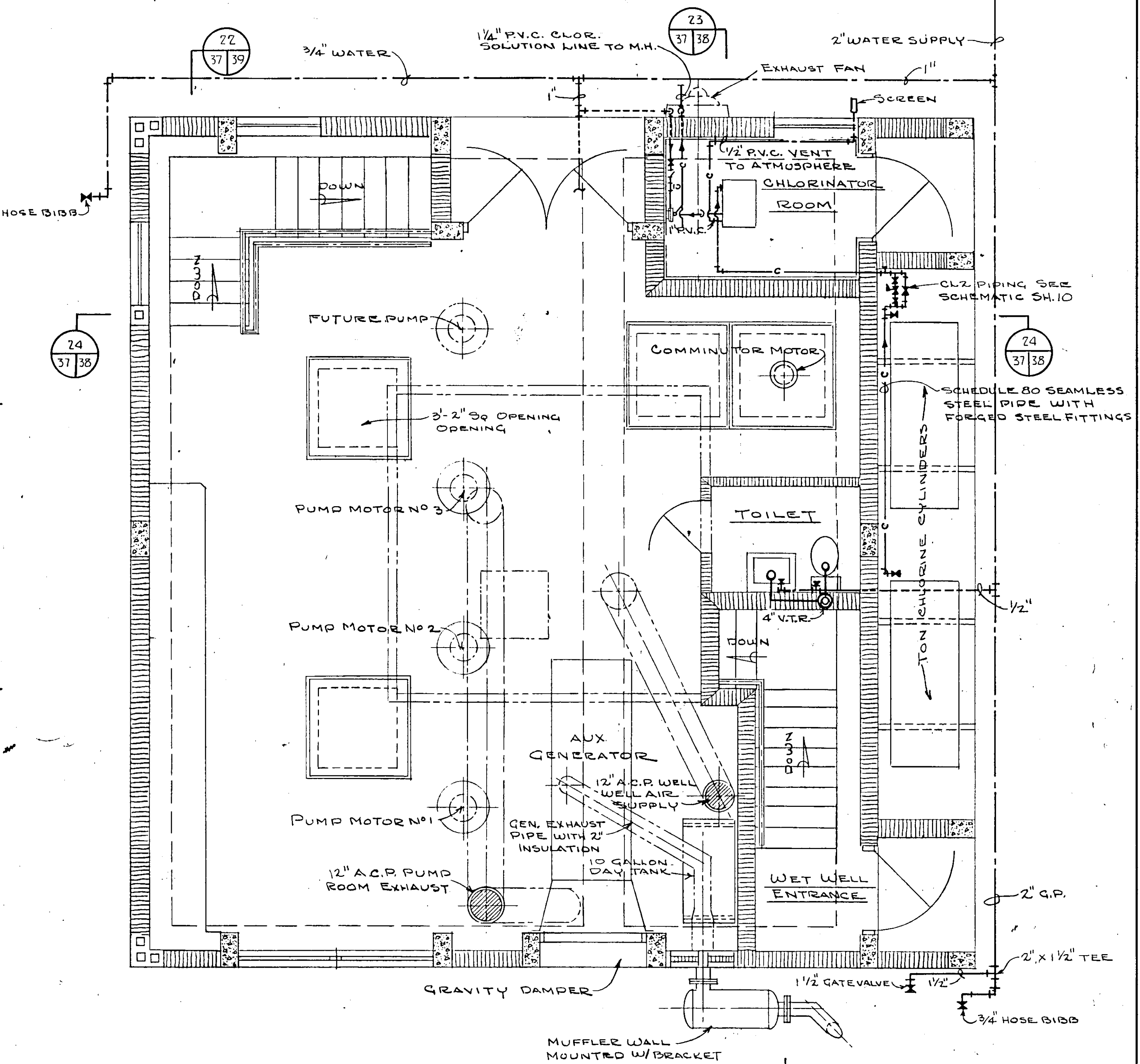
17-01



PLAN - PUMP ROOM & WELL WELL
SCALE 3/8" = 1'-0"



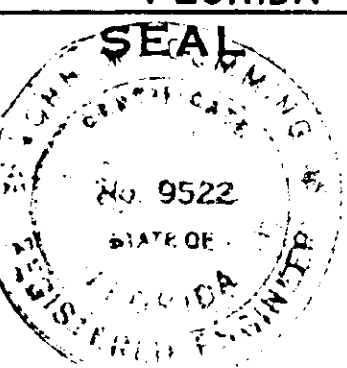
PLAN - WET WELL
SCALE 3/8" = 1'-0"

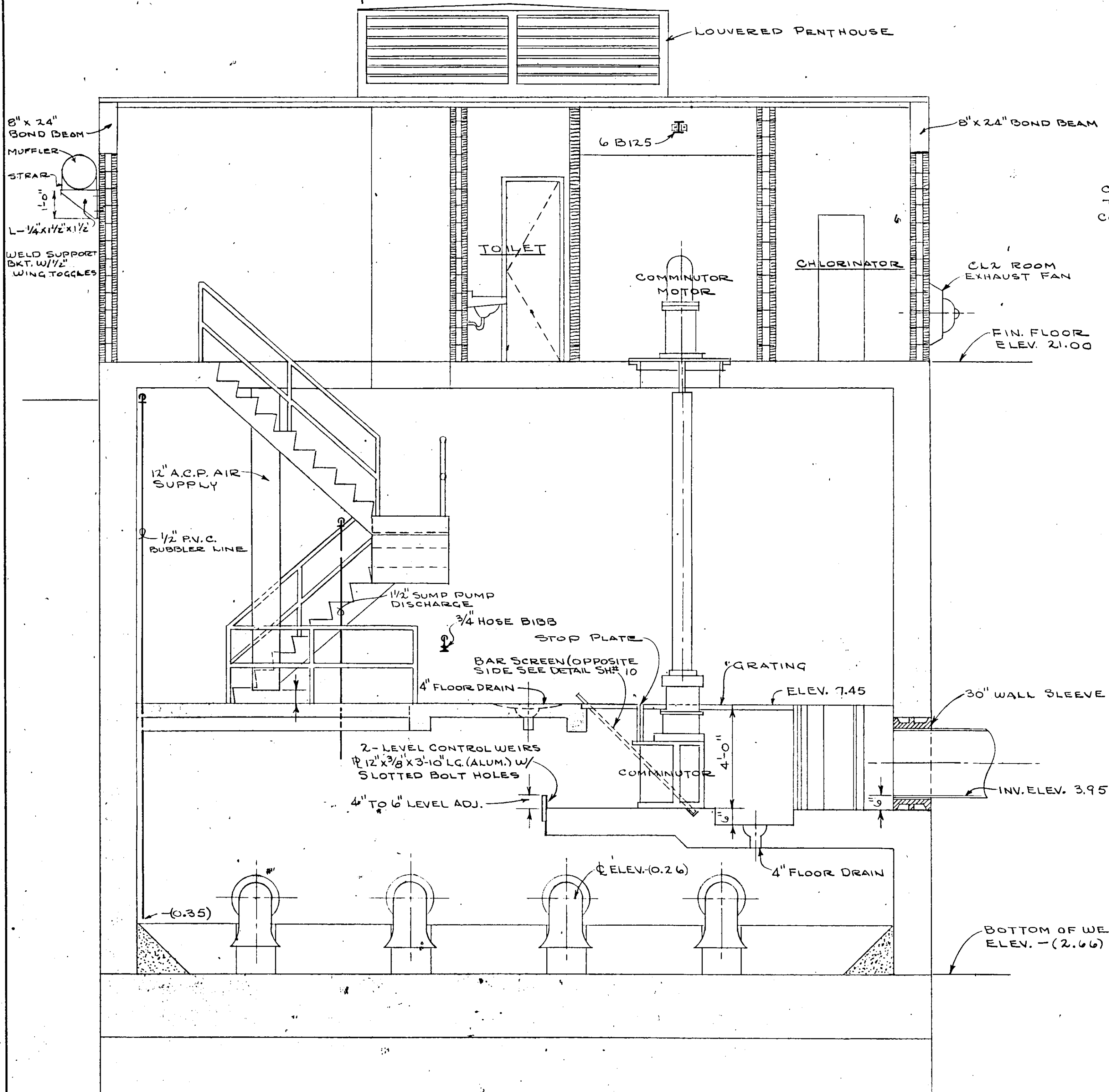


PLAN - OPERATING FLOOR
SCALE 3/8" = 1'-0"

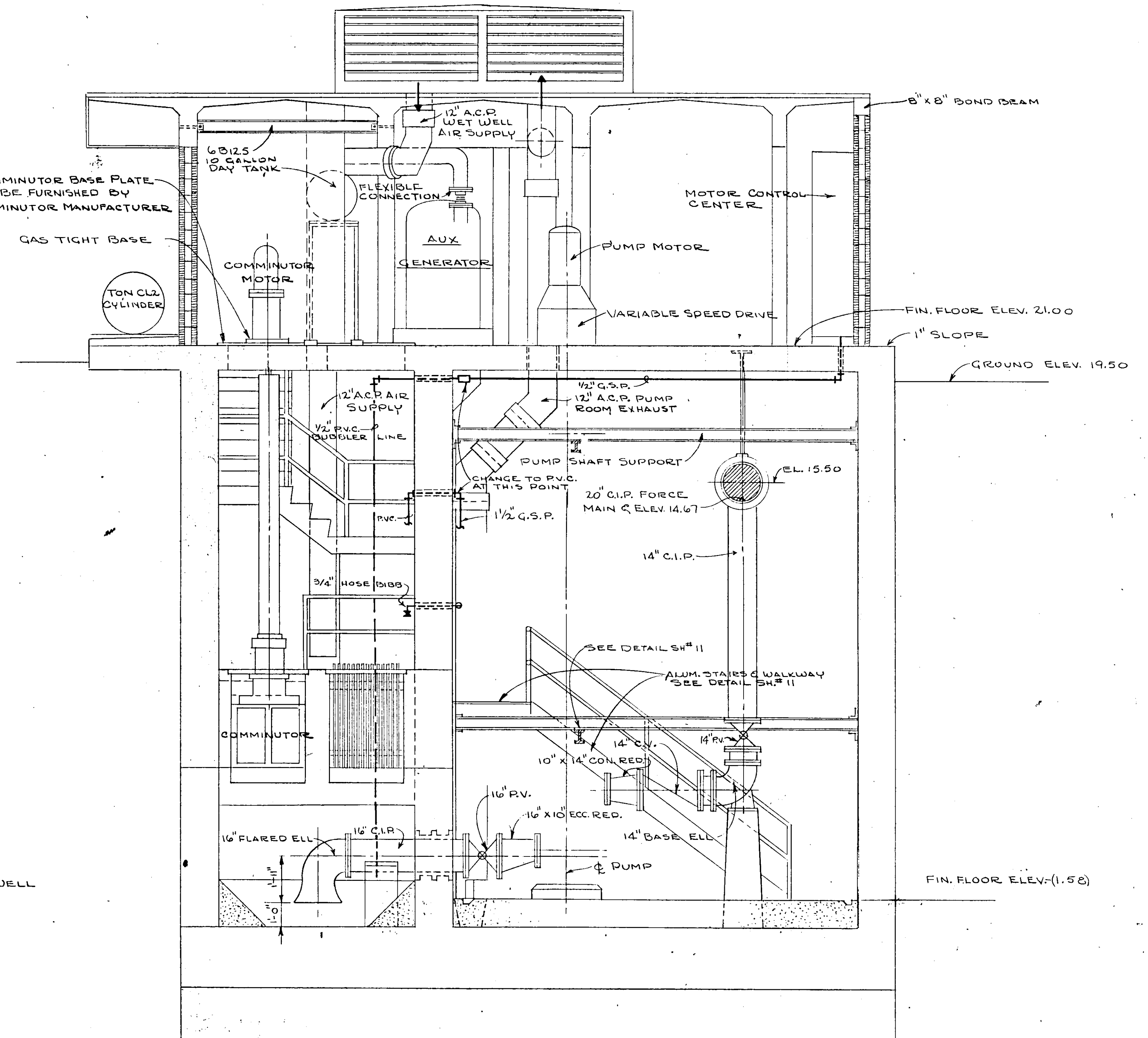
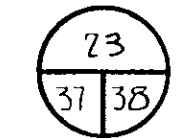
NO.	DATE	DESCRIPTION	BY	CHKD.
REVISIONS				
RUSSELL & AXON Consulting Engineers, Incorporated DAYTONA BEACH, FLA. ST. LOUIS, MO.				
SANITARY SEWERAGE PROJECT PART A SECTION III - SEWAGE LIFT STATIONS #27A - MECH. - FLOOR PLAN				
MANATEE COUNTY			FLORIDA	
DESIGNED BY	FILE NO.			
P.B.C.	6681-8b			
DRAWN BY	SHEET			
R.L.J.	No. 37			
CHECKED BY	OF 45 SHEETS			
J.W.C.				
DATE	SCALE: 3/8" = 1'-0"			
DEC. 1971				

(7-0)

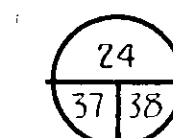




SECTION 73
SCALE: 3/8" = 1'-0"

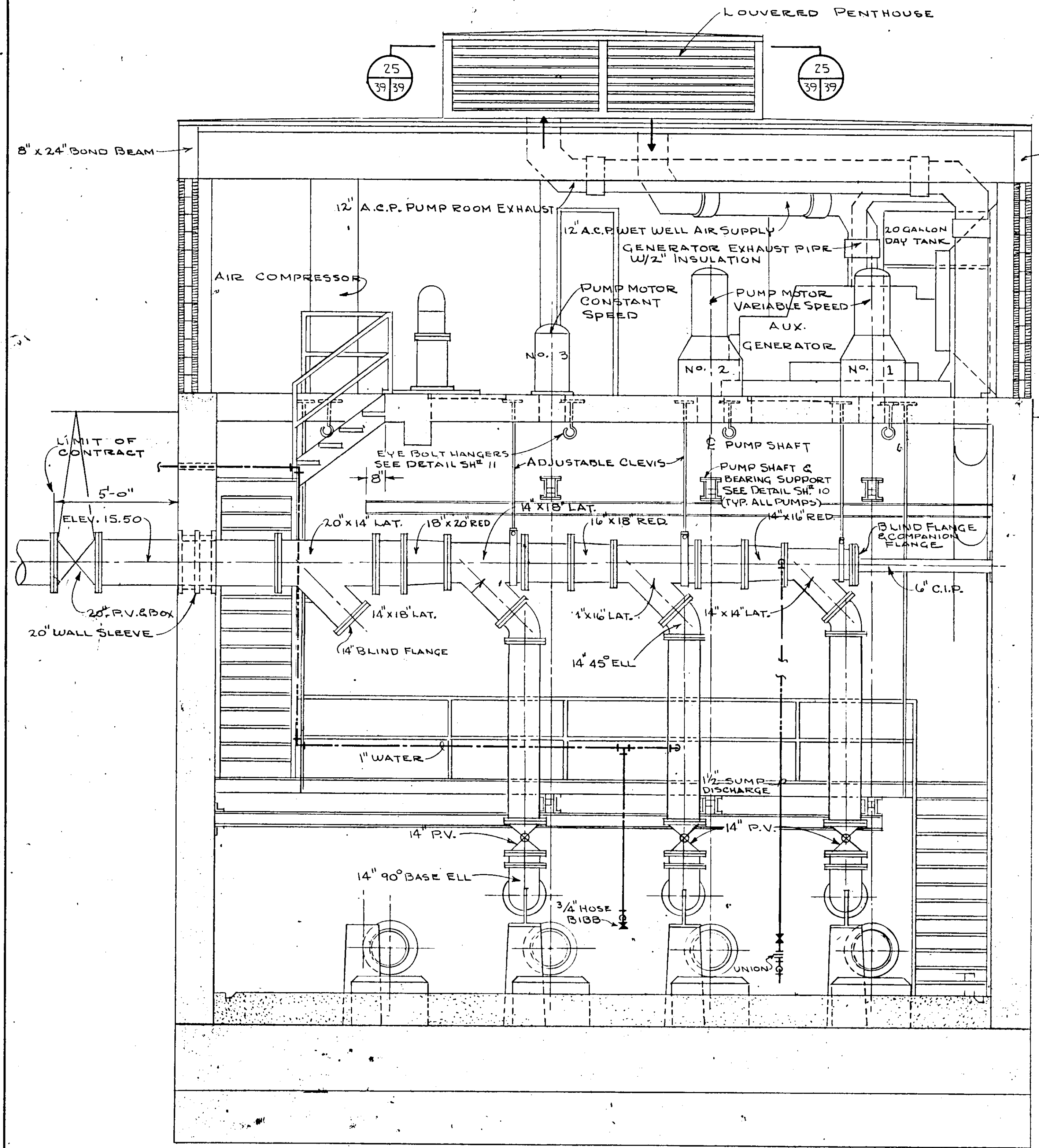


SECTION 24
SCALE: 3/8" = 1'-0"

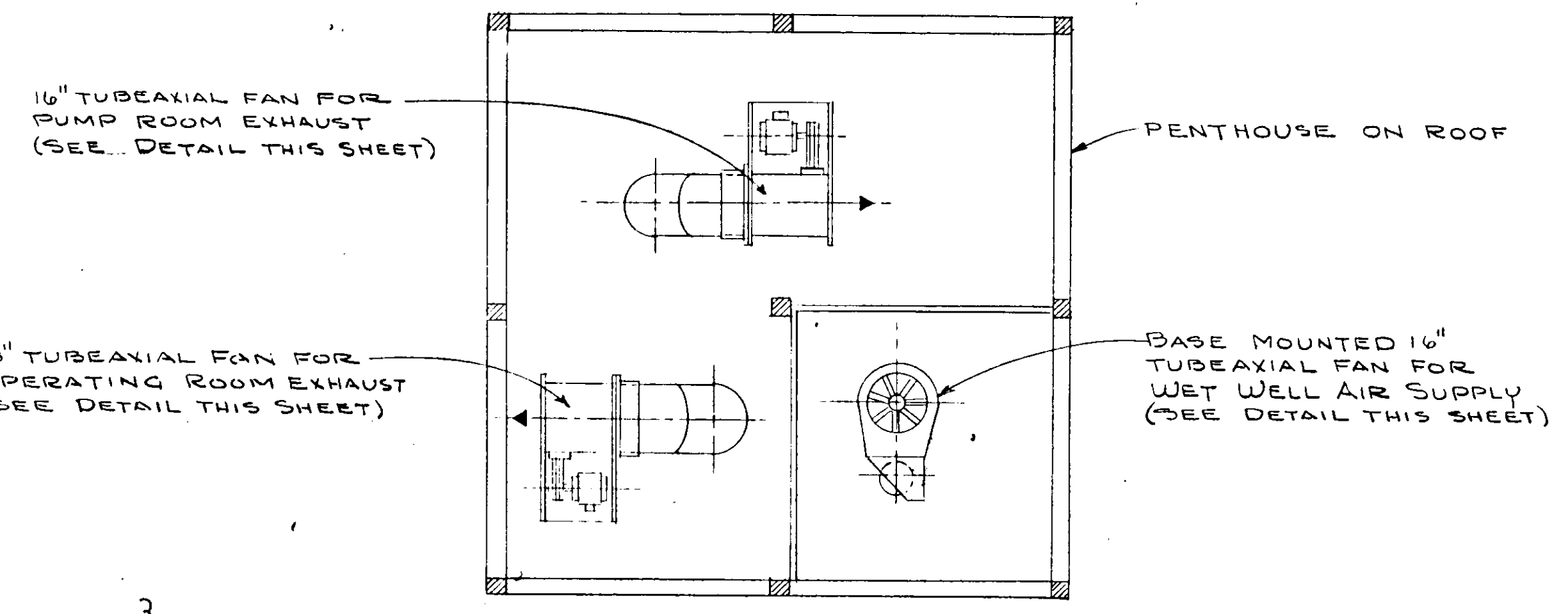


NO.	DATE	DESCRIPTION	BY	CKD.
REVISIONS				
RUSSELL & AXON Consulting Engineers, Incorporated DAYTONA BEACH, FLA. ST. LOUIS, MO.				
SANITARY SEWERAGE PROJECT PART A SECTION III - SEWER LIFT STATIONS # 27A - MECH. - SECTIONS				
MANATEE COUNTY		FLORIDA		
DESIGNED BY	FILE NO.	7-38 SEAL No. 9524 STATE OF FLORIDA REGISTERED ENGINEER		
DRAWN BY	6681 - 8b			
CHECKED BY	SHEET	No. 38 OF 45 SHEETS		
DATE	DEC. 1971			
SCALE: 3/8" = 1'-0"				

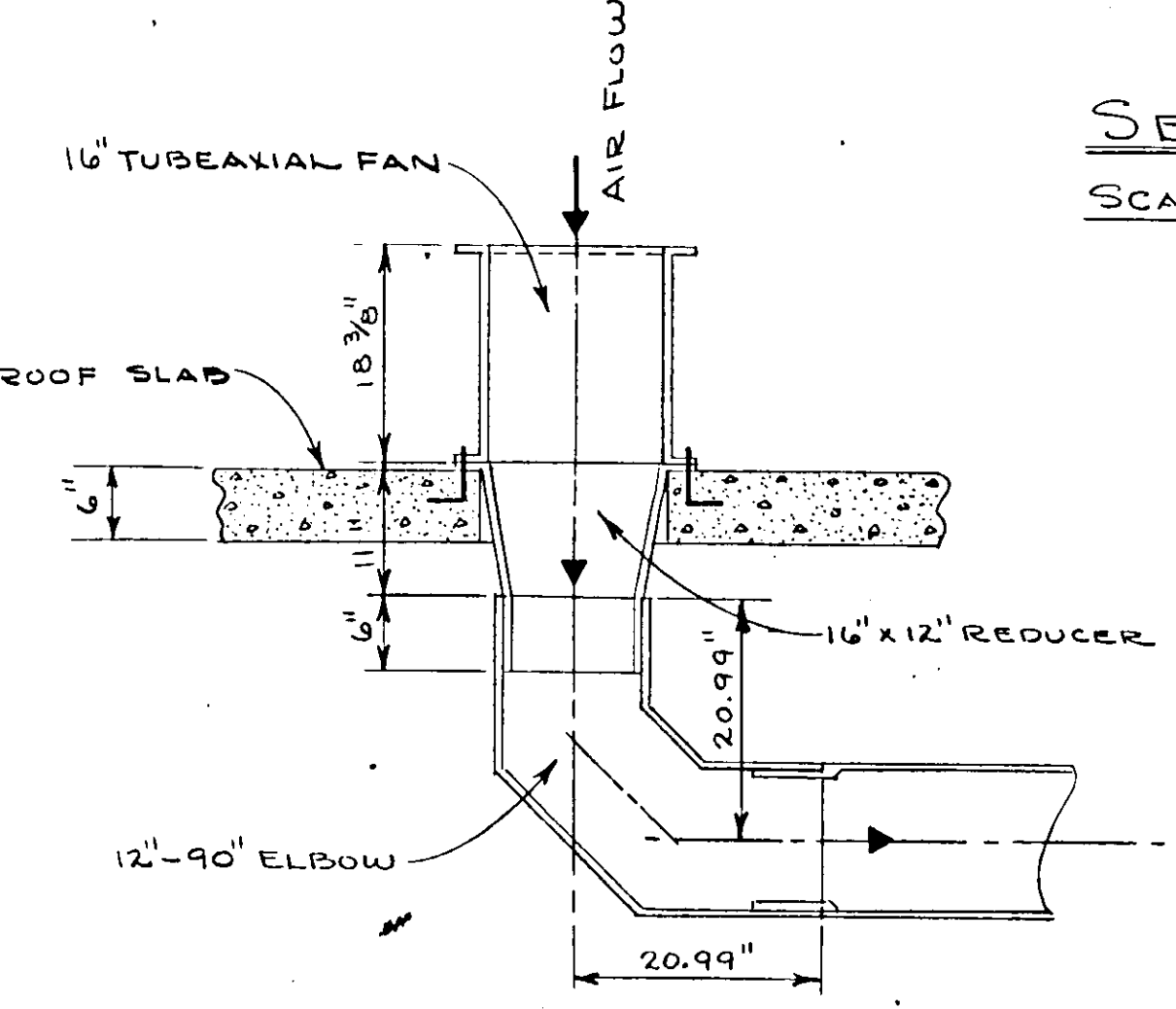
17-01



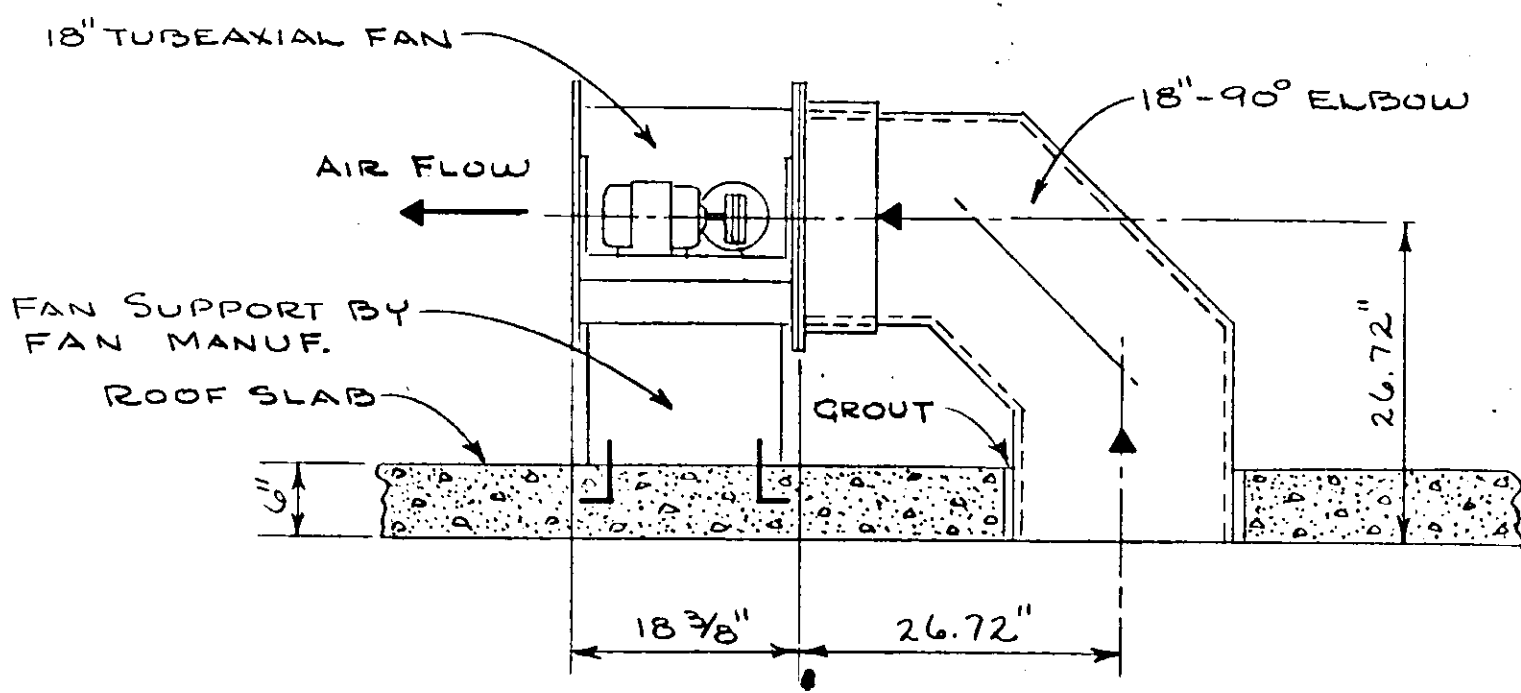
SECTION 23
SCALE: 3/8" = 1'-0"



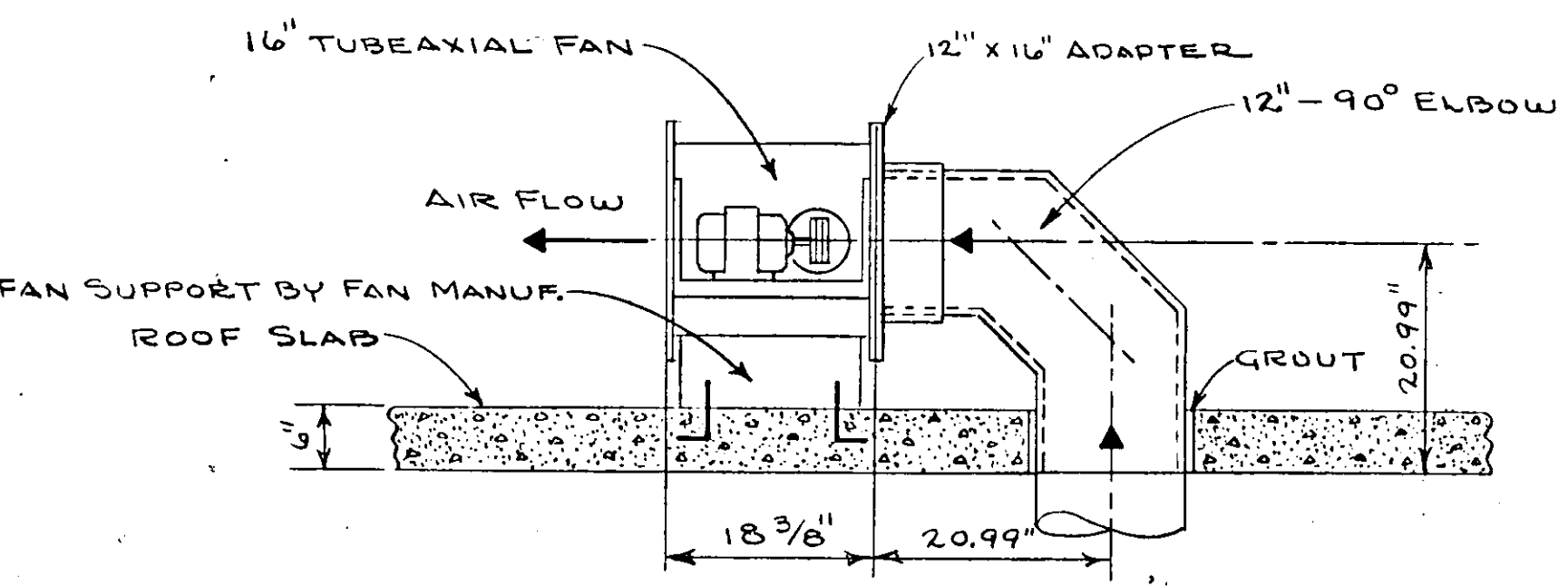
SECTION 25
SCALE: 3/8" = 1'-0"



DETAIL - TUBEAXIAL FAN FOR WET WELL AIR SUPPLY
SCALE 3/4" = 1'-0"



DETAIL - TUBEAXIAL FAN FOR OPERATING ROOM EXHAUST
SCALE 3/4" = 1'-0"



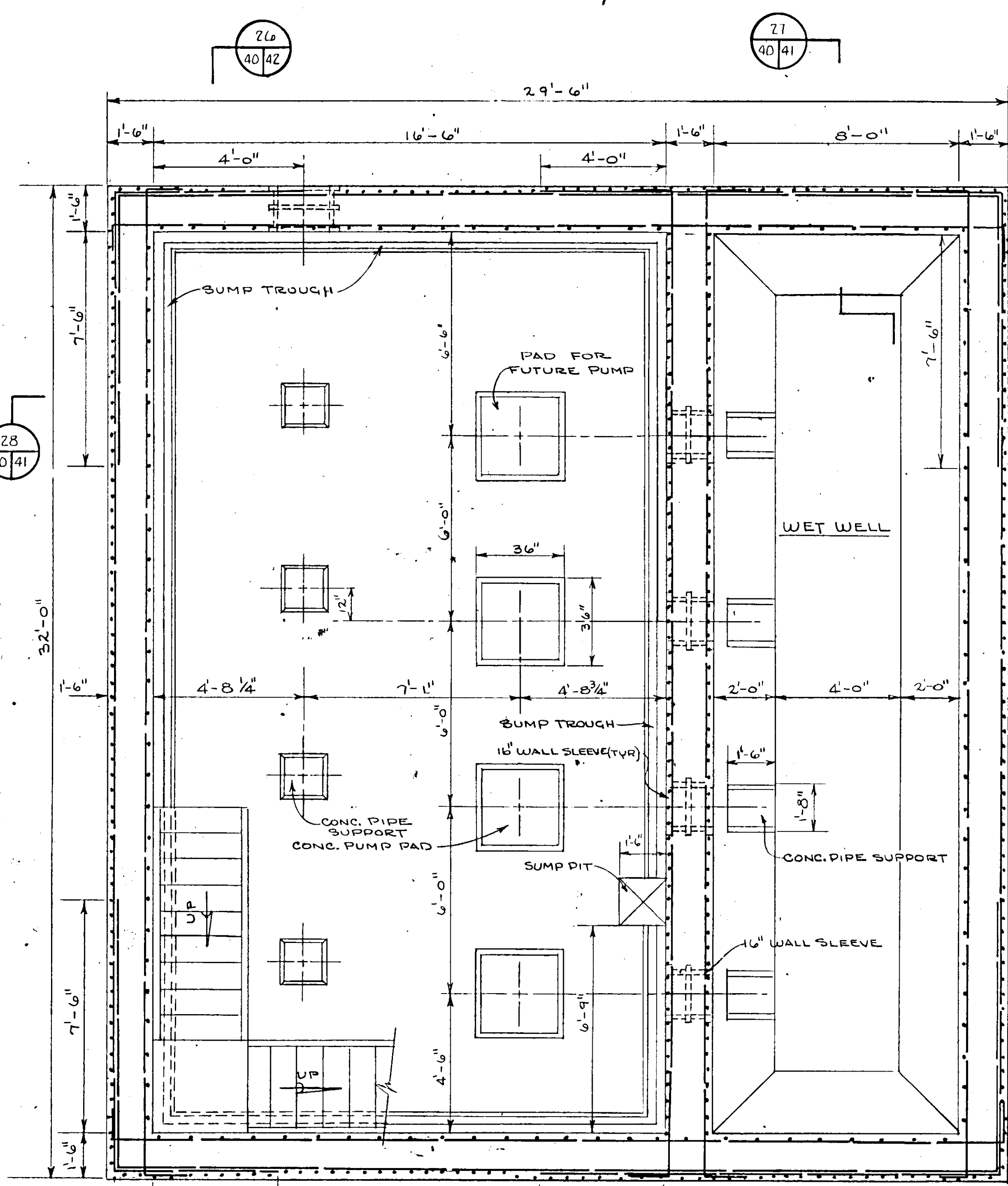
DETAIL - TUBEAXIAL FAN FOR PUMP ROOM EXHAUST
SCALE 3/4" = 1'-0"

PUMPS SEQUENCE: INITIALLY STAGE 2 VARIABLE SPEED
PUMPS 1 SPARE CONSTANT SPEED

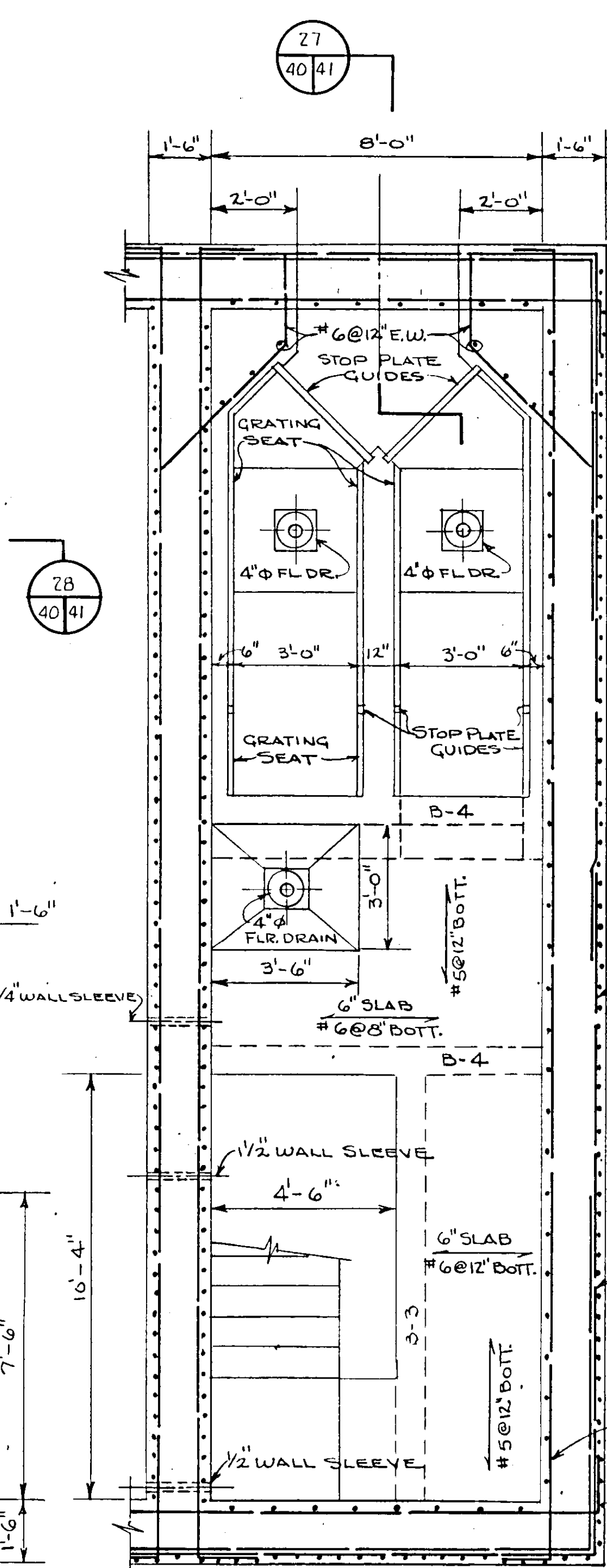
FUNCTION RISING LEVEL	ELEV. ON RISING LEVEL (READ UP)	ELEV. ON FALLING LEVEL (READ DOWN)	FUNCTION FALLING LEVEL
HIGH LEVEL ALARM	6.70		
PUMPS NO. 1, 2, 3 RUN AT FULL SPEED	5.70 TO 6.70		
NORMAL H.W. LEVEL START PUMP NO. 3 PUMP NO. 1 & 2 RUN AT FULL SPEED	5.70	5.70 TO 4.95	ALL PUMPS ON TO RUN AT FULL SPEED
INCREASE PUMPS NO. 1 & 2 TO MAXIMUM SPEED	4.20 TO 4.95		
START PUMP NO. 2 (VARIABLE) 850 RPM AND ADJUST PUMP NO. 1 TO 850 RPM	4.20	4.20	STOP PUMP NO. 3 PUMPS NO. 1 & 2 TO RUN AT FULL SPEED
INCREASE PUMP NO. 1 TO MAXIMUM SPEED	3.35 TO 4.20	4.20 TO 3.35	DECREASE PUMPS NO. 1 & 2 SPEED TO 850 R.P.M.
START PUMP NO. 1 (VARIABLE)	3.35	3.35	STOP PUMP NO. 2 NO. 1 RUNS AT FULL SPEED.
		3.35 TO 1.35	DECREASE PUMP NO. 1 TO MIN SPEED
NORMAL LOW WATER LEVEL	1.35	1.35	STOP PUMP NO. 1
NOTE: MAX. RPM 1150 MIN. RPM 750		0.85	LOW LEVEL ALARM

NO.	DATE	DESCRIPTION	BY	CHKD.
REVISIONS				
RUSSELL & AXON Consulting Engineers, Incorporated DAYTONA BEACH, FLA. ST. LOUIS, MO.				
SANITARY SEWERAGE PROJECT PART A SECTION III - SEWERAGE LIFT STATIONS #27A - MECH. - SECTIONS				
MANATEE COUNTY		FLORIDA		
DESIGNED BY P.B.C.	FILE NO. 6681-8b			
DRAWN BY R.L.J.	SHEET OF 45			
CHECKED BY J.W.C.	No. 39			
DATE DEC. 1971	SHEETS			

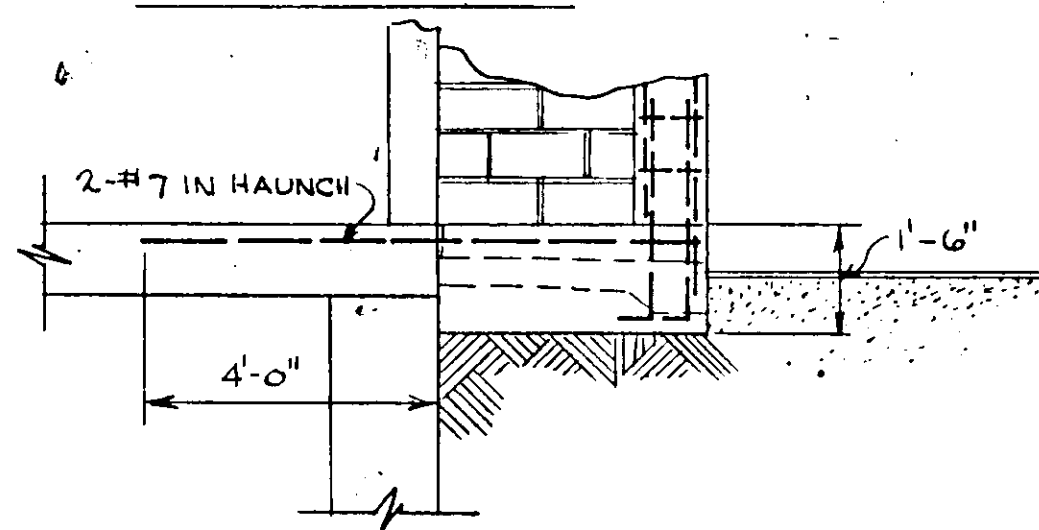
17-01



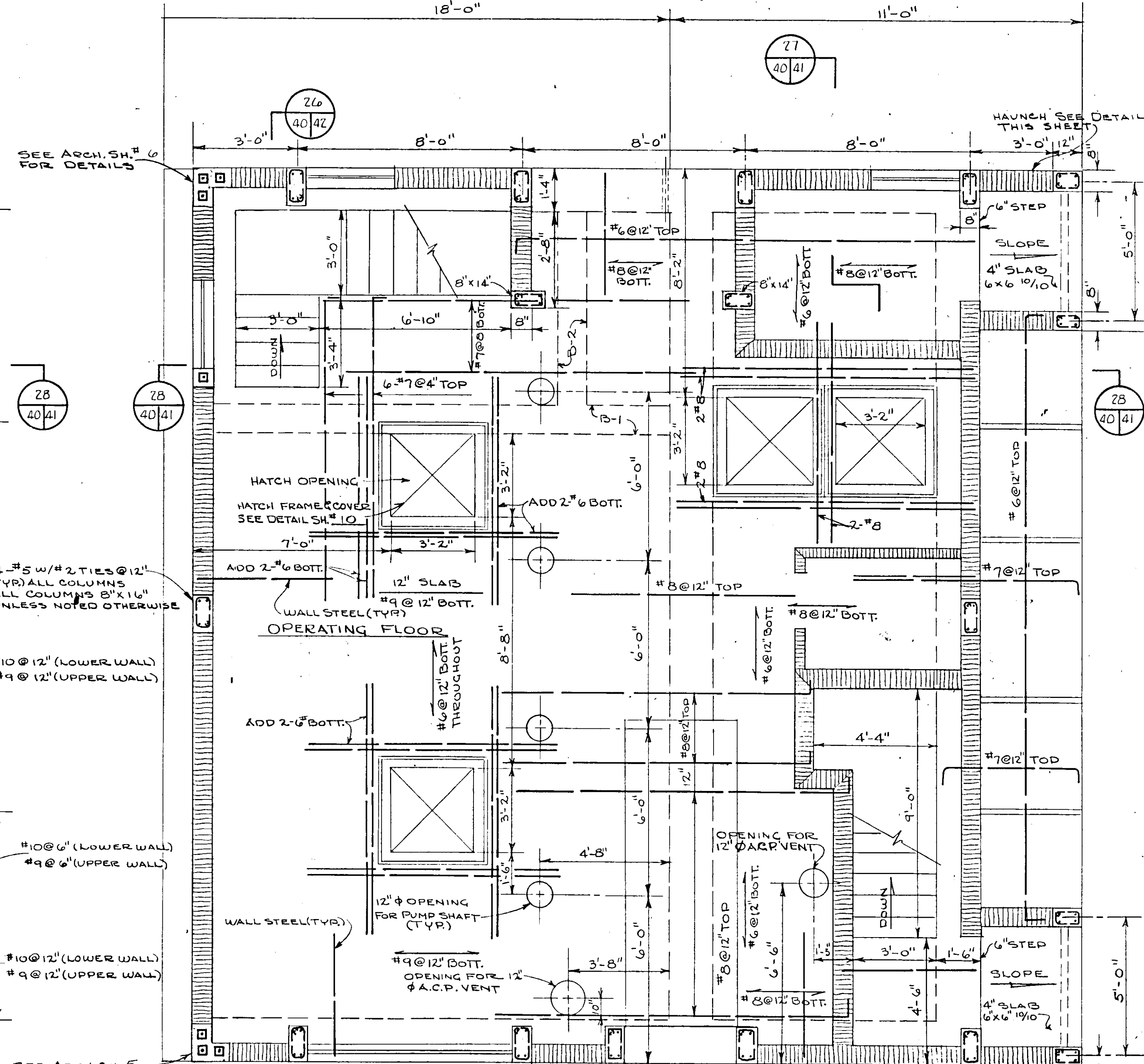
PLAN - PUMP ROOM & WET WELL
SCALE 3/8" = 1'-0"



PLAN - WET WELL
INTERMEDIATE LEVEL
SCALE 3/8" = 1'-0"



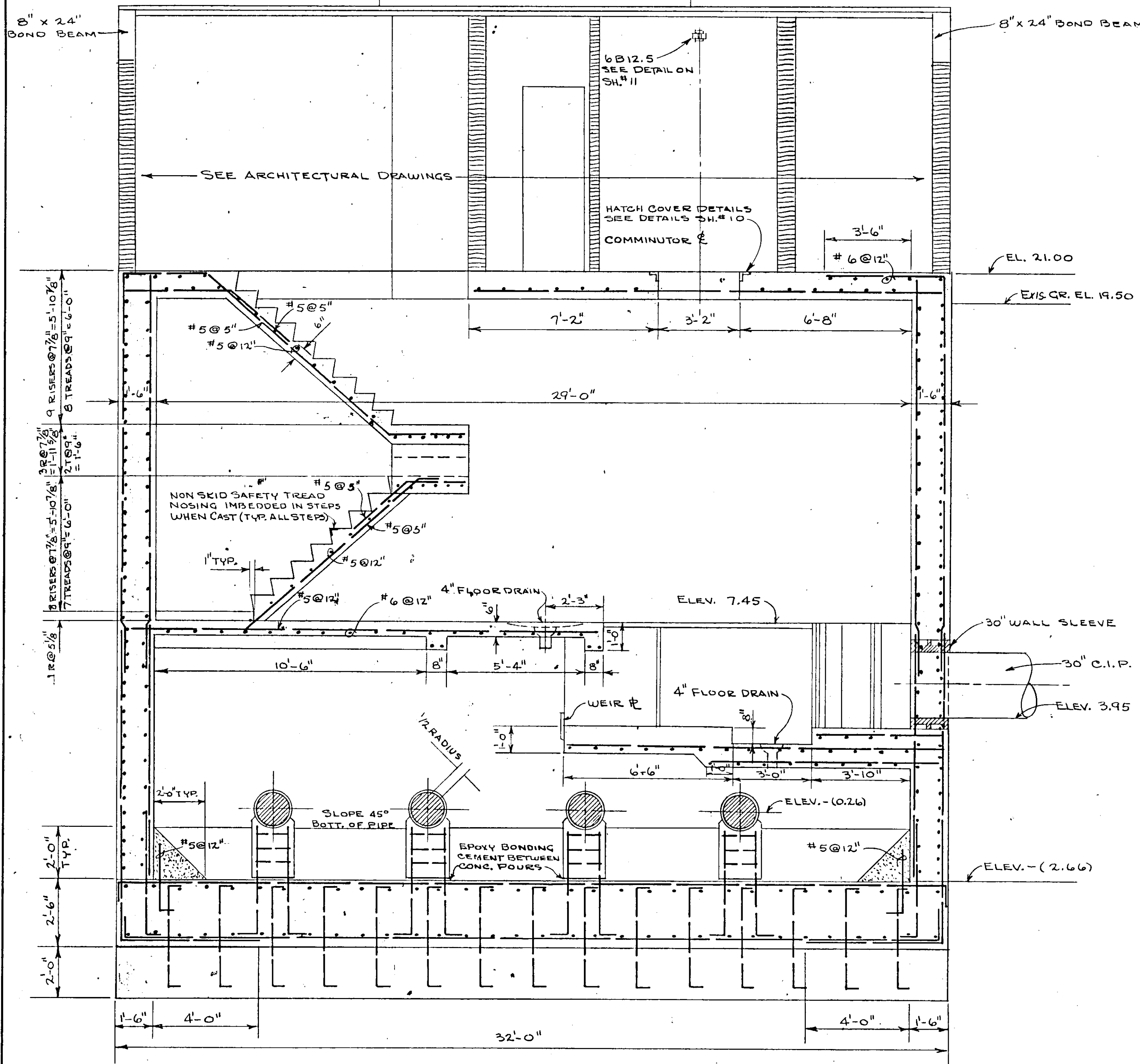
HAUNCH DETAIL
SCALE 3/8" = 1'-0"



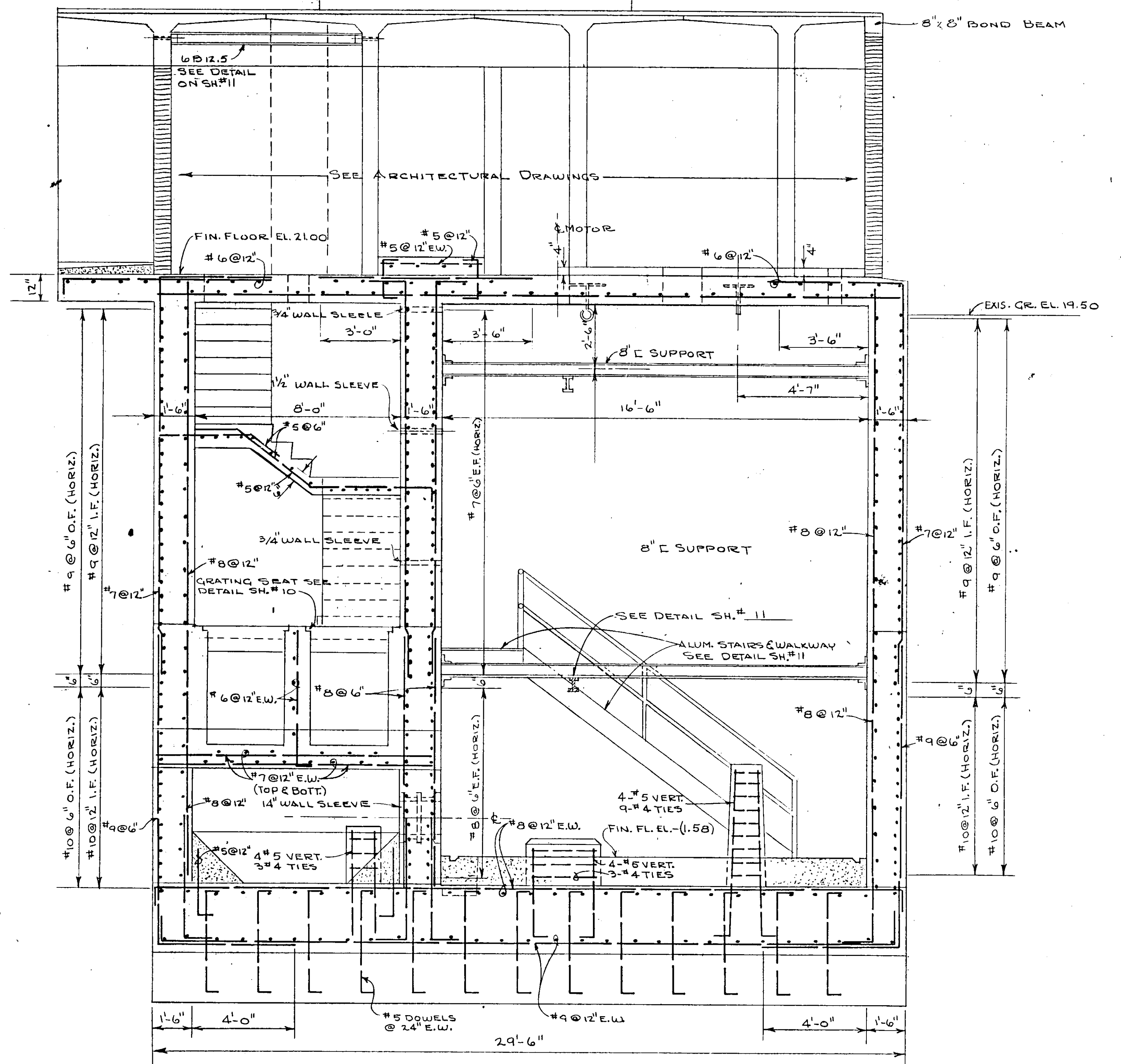
PLAN - OPERATING FLOOR
SCALE 3/8" = 1'-0"

NO.	DATE	DESCRIPTION	BY	CKD.
REVISIONS				
RUSSELL & AXON Consulting Engineers, Incorporated DAYTONA BEACH, FLA. ST. LOUIS, MO.				
SANITARY SEWERAGE PROJECT PART A SECTION III - SEWAGE LIFT STATIONS #27A - STRUCT. - FLOOR PLAN				
MANATEE COUNTY DESIGNED BY J.T.S.		FILE NO. 6681-8b	<div style="border: 1px solid black; border-radius: 50%; padding: 5px; display: inline-block;"> SEAL STATE OF FLORIDA REGISTERED PROFESSIONAL ENGINEER NO. 3522 DATE </div>	
DRAWN BY R.L.J.		SHEET		
CHECKED BY JWC		OF 45 SHEETS		
DATE DEC. 1971		SCALE: 3/8" = 1'-0"		

17-01



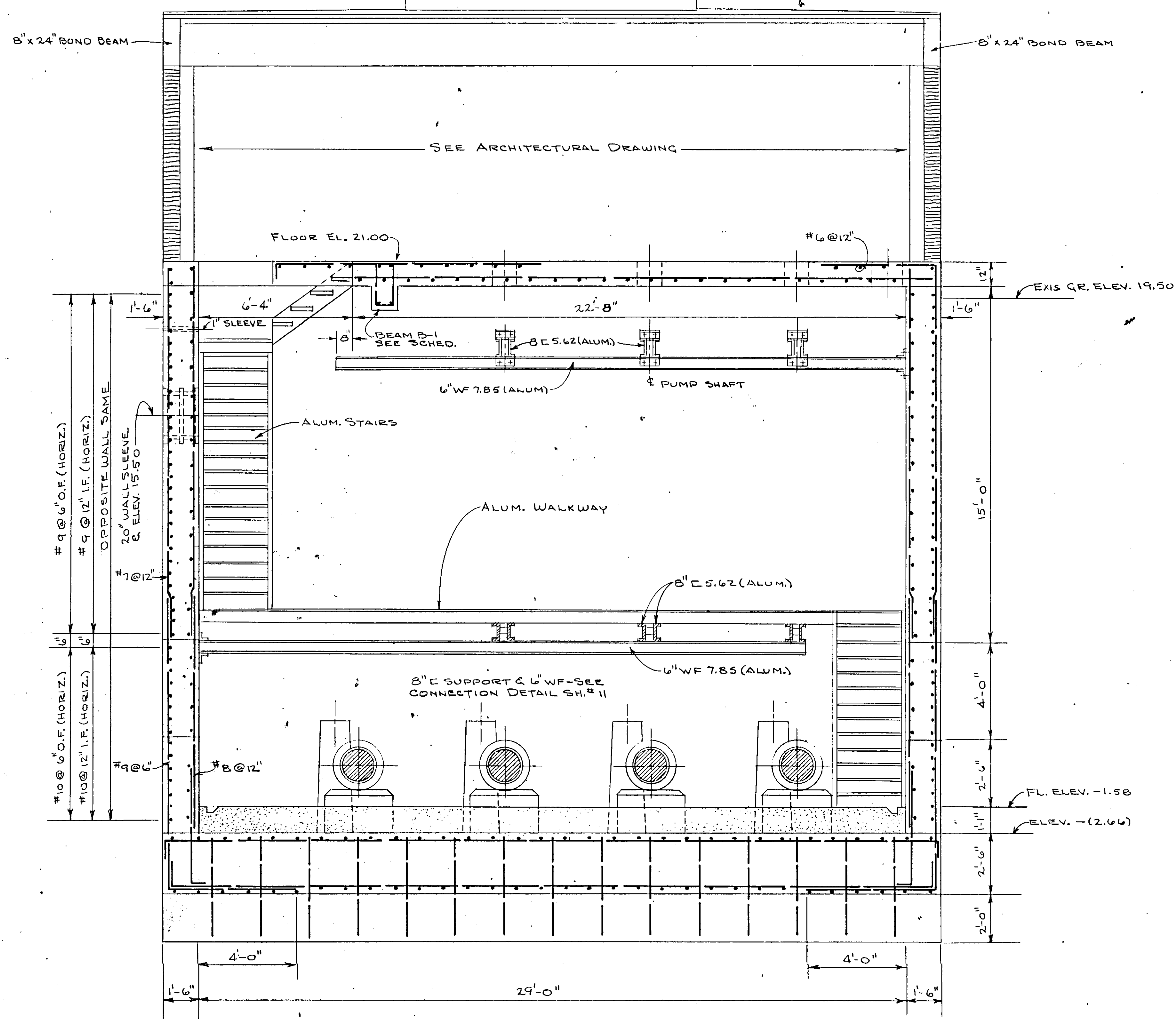
SECTION 27
SCALE 3/8" = 1'-0"



SECTION 28
SCALE 3/8" = 1'-0"

NO.	DATE	DESCRIPTION	BY	CKD.
REVISIONS				
RUSSELL & AXON Consulting Engineers, Incorporated DAYTONA BEACH, FLA. ST. LOUIS, MO.				
SANITARY SEWERAGE PROJECT PART A SECTION III - SEWAGE LIFT STATIONS 27A - STRUCTURAL - SECTIONS				
MANATEE COUNTY		FLORIDA		
DESIGNED BY J.T.S.	FILE NO. 6681-8b	SEAL No. 9522 STATE OF FLORIDA PROFESSIONAL ENGINEER		
DRAWN BY R.L.J.	SHEET No. 41			
CHECKED BY JWC	OF 45 SHEETS			
DATE DEC. 1971	SCALE: 3/8" = 1'-0"			

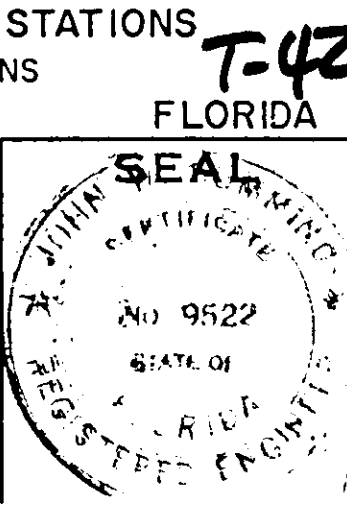
17-01



SECTION 26
 SCALE: 3/8" = 1'-0"
 40/42

NO.	DATE	DESCRIPTION	BY	CHKD.
REVISIONS				
RUSSELL & AXON Consulting Engineers, Incorporated DAYTONA BEACH, FLA. ST. LOUIS, MO.				
SANITARY SEWERAGE PROJECT PART A SECTION III - SEWAGE LIFT STATIONS 27A - STRUCTURAL - SECTIONS				
DESIGNED BY		FILE NO.		
J.T.S.		6681-8b		
DRAWN BY		SHEET		
R.L.J.		42		
CHECKED BY		NO. OF SHEETS		
J.W.C.		45		
DATE		SCALE: 3/8" = 1'-0"		
DEC. 1971				

17-01



NOTE: CONTRACTOR SHALL VERIFY W/ UTILITY LOCATION & ARRANGEMENT OF CONDUITS FOR SECONDARY CONNECTIONS OF TRANSFORMER

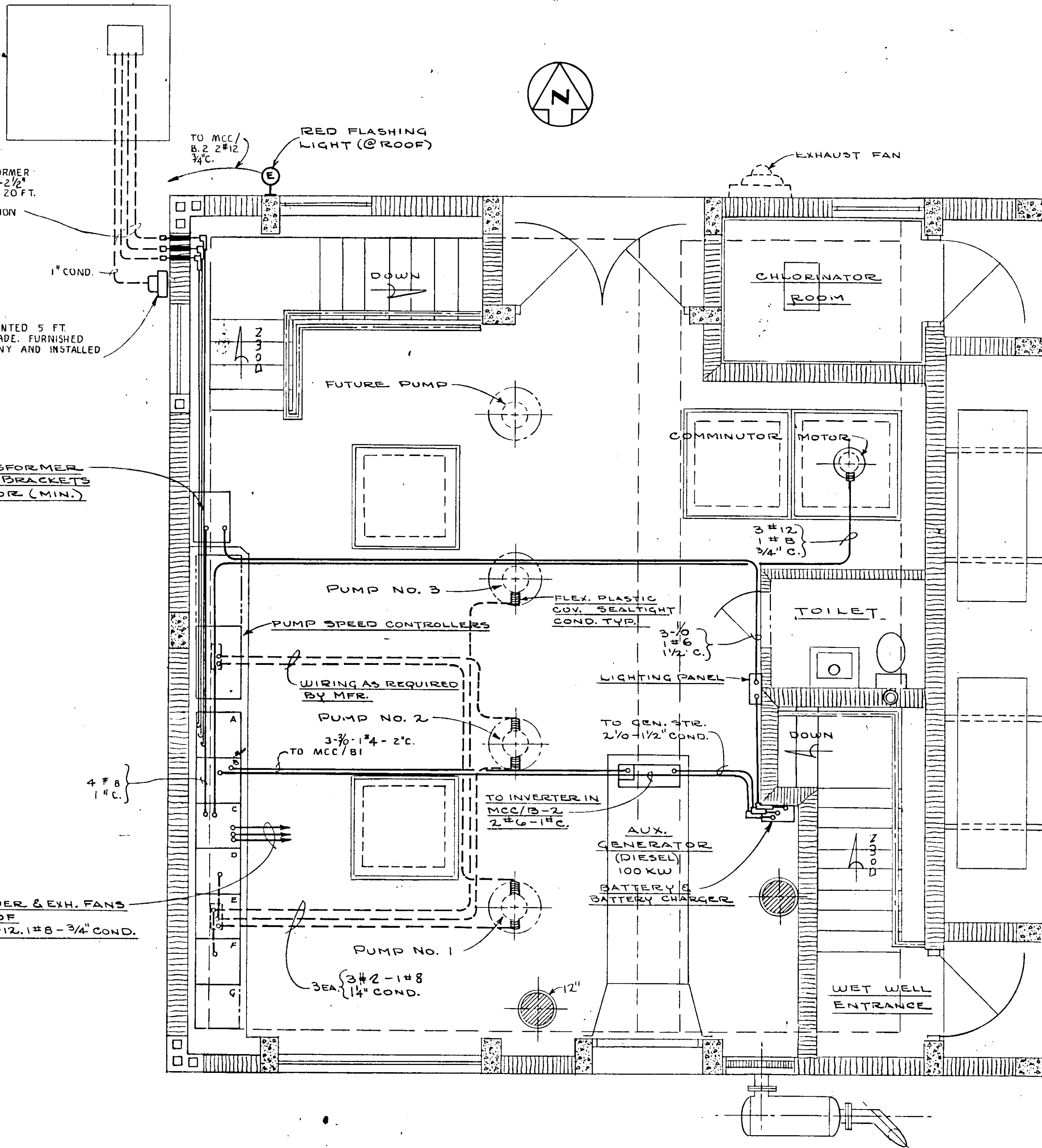
TRANSFORMER PAD SEE ARCH. DWGS.

TO F.P. & L. CO. TRANSFORMER PAD. 3 EA. 3-3/8" 1#4-2 1/2" COND. LEAVE APPROX. 20 FT. OF CABLE LEADS FOR TRANSFORMER CONNECTION

METER CABINET MOUNTED 5 FT. ABOVE FINISHED GRADE. FURNISHED BY UTILITY COMPANY AND INSTALLED BY CONTRACTOR.

DRY TYPE TRANSFORMER MOUNT ON WALL BRACKETS 5 FT. ABOVE FLOOR (MIN.)

TO BLOWER & EXH. FANS ON ROOF 3 EA. 3#12, 1#8-3/4" COND.

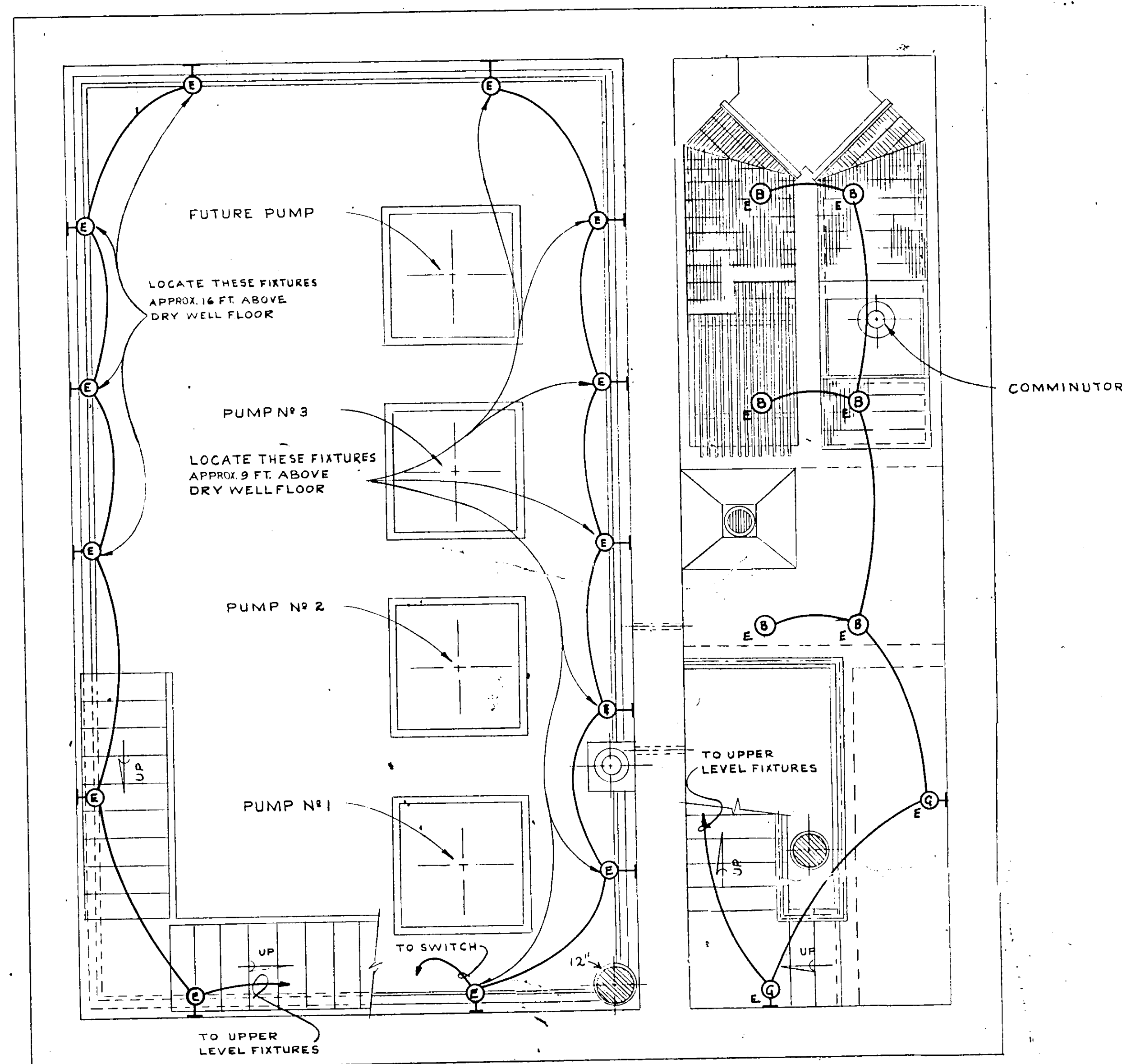
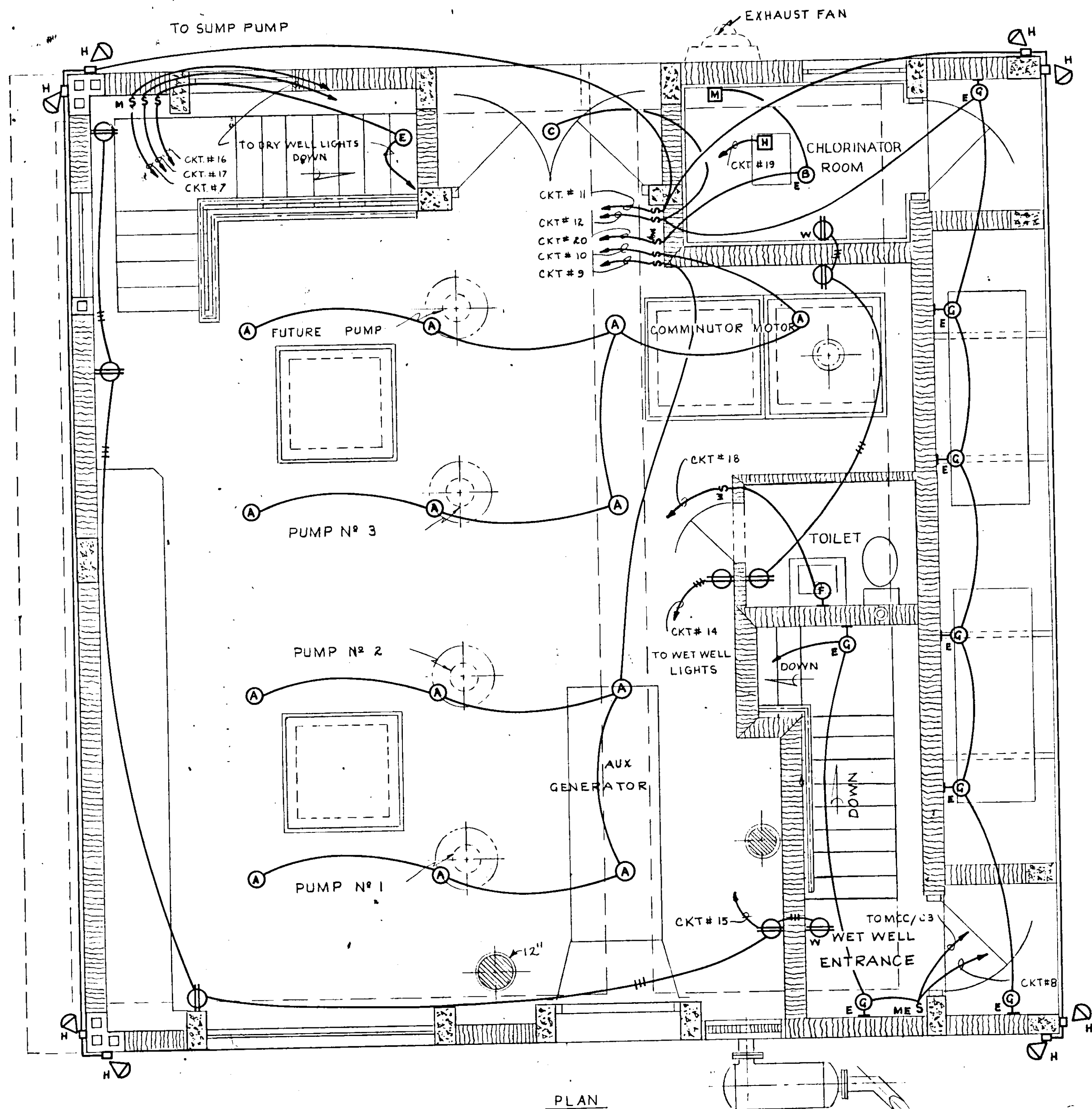


PLAN - OPERATING FLOOR

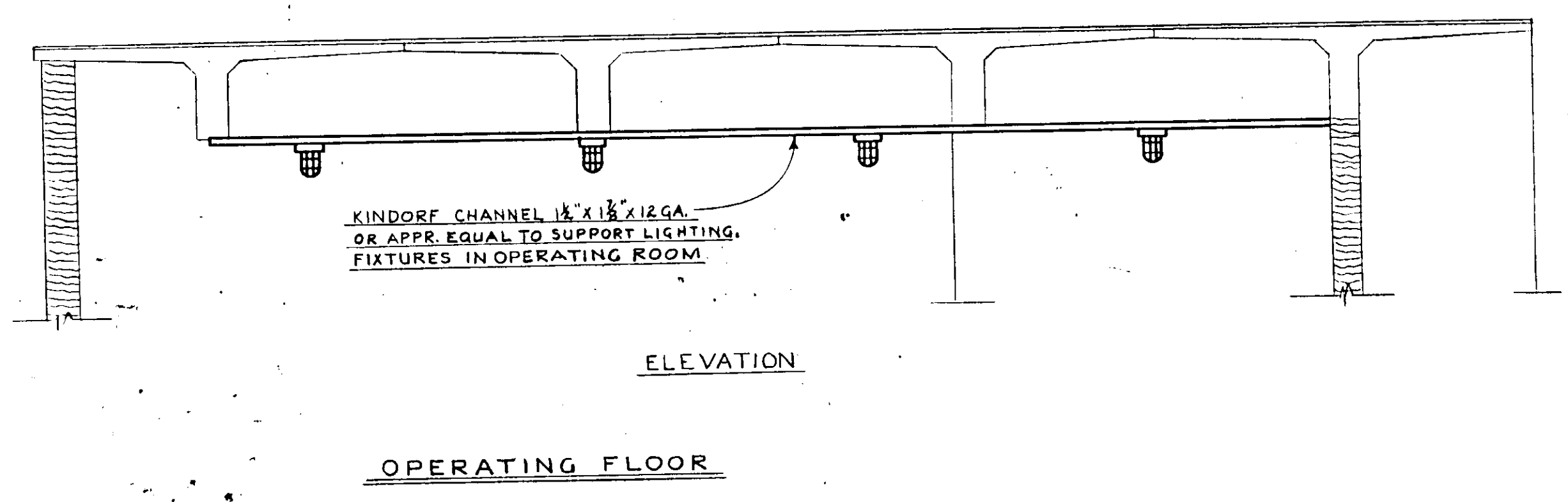
NOTE: RUN DOTTED CONDUITS UNDER FLOOR SLAB OR UNDERGROUND.

NO.	DATE	DESCRIPTION	BY	CHKD.
REVISIONS				
RUSSELL & AXON Consulting Engineers, Incorporated DAYTONA BEACH, FLA. ST. LOUIS, MO.				
SANITARY SEWERAGE PROJECT PART A SECTION III - SEWAGE LIFT STATIONS #27A - ELECTRICAL - WIRING FLOOR PLAN				
MANATEE COUNTY FLORIDA				
DESIGNED BY C.B.A.	FILE NO. 6681-8b			
DRAWN BY R.L.J./W.R.V.	SHEET OF 45			
CHECKED BY G.S.H./J.W.C.	No. 43 SHEETS			
DATE DEC. 1971	SCALE: 3/8" = 1'-0"			

17-01



PLAN - DRY WELL & WET WELL



NO.	DATE
RT	
DAYTONA BEACH, SAN	
SECT'	
MANATEE C	
DESIGNED BY G.B.A.	
DRAWN BY W.R.V.	
CHECKED BY JWC	
DATE DEC. 1971	

17-01

T-44